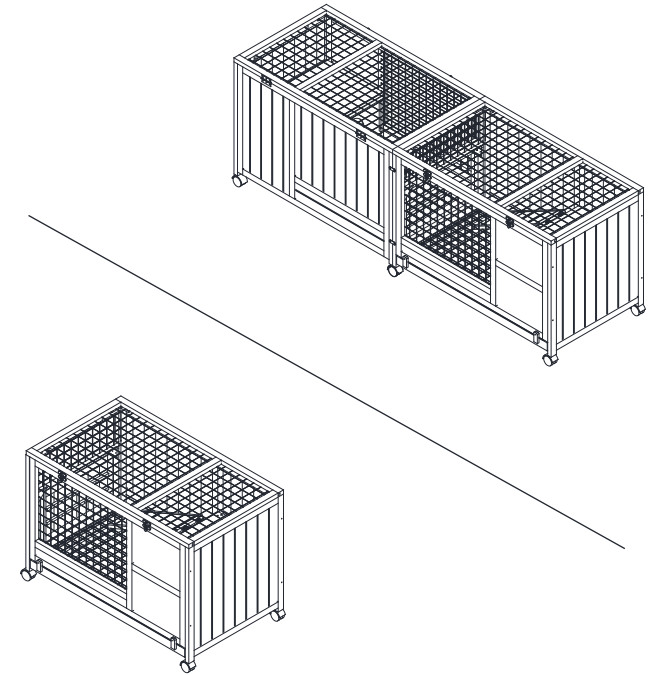


ASSEMBLY INSTRUCTIONS

PLEASE RETAIN THESE INSTRUCTIONS FOR FUTURE USE



TIME ASSEMBLE : 30-60 minutes



NUMBER OF PERSON: 2

Greeting!
So here I am

your new pet house

- ▶ Thanks for letting me be a home for your furry friend(s).
- ▶ They'll be cozy and protected from the weather when they're with me.
- ▶ Just remember to take care of me too, so I can last a long time.
- ▶ When you first get me, you might smell a funny smell. Don't worry, it's not dangerous.
- ▶ Just let me air out for a few days and the smell will go away.
- ▶ Be careful when you're putting me together because some of my parts can be sharp or heavy.
- ▶ Make sure to start by loosely putting in screws, and then tighten them all before using me.
- ▶ If you notice anything broken or missing, stop using me until it's fixed. and please follow the instructions from the maker so your warranty stays good.
- ▶ You can use me both inside and outside, but if you put me outside, make sure to give me an extra cover to keep me from getting moldy.
- ▶ I like to be on a level surface so my doors work smoothly.
- ▶ Keep me away from fire and dangerous chemicals.
- ▶ Clean me with a damp, soapy sponge without corrosive agents.
- ▶ Dry me with a soft, clean, dry cloth.
- ▶ Do not use a high pressure cleaner on me.
- ▶ Do not use bleach, acids, solvents, or abrasive cleaners on me.
- ▶ Check that all my bolts, screws, and knobs are tight every 90 days.




HELP CENTER

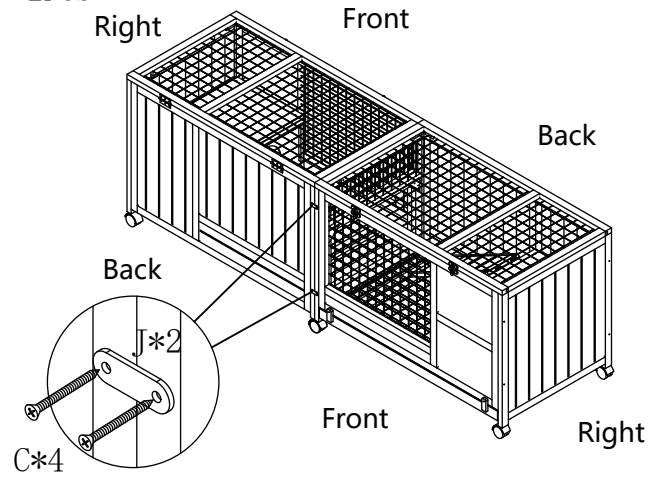
- ▶ Your full satisfaction is our **FIRST** priority
- ▶ We hope you enjoy it and have a good shopping experience.
- ▶ We are committed to resolve any situation when it does not meet your expectations.
- ▶ Please feel free to contact us through order detail page, we will get back to you and solve them within 24 hours.



WARNING:

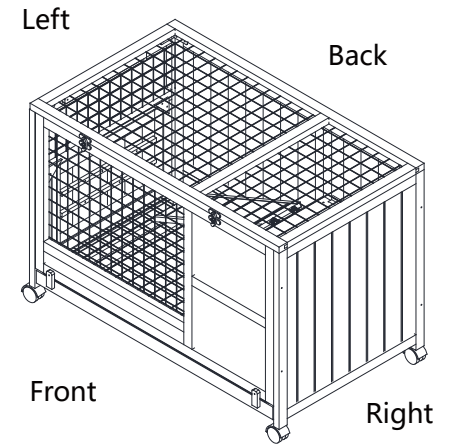
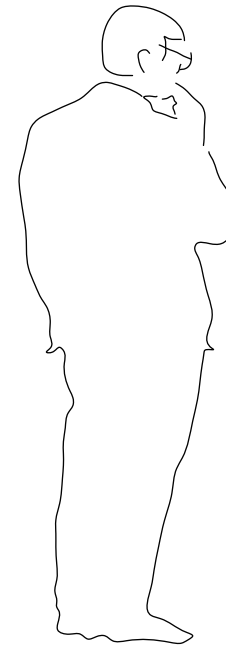
Manufacturer and seller expressly disclaim any liability for personal injury, property damage, or loss, whether direct, indirect, or incidental, resulting from incorrect attachment, improper use, inadequate maintenance, or neglect of this.

C M3.0*16 4PCS
J  2PCS


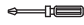


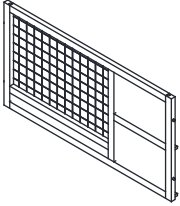
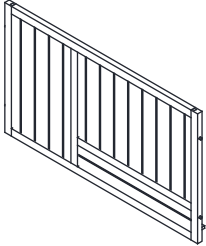
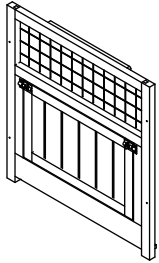
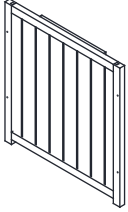
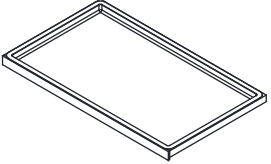
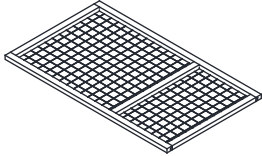
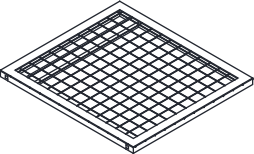
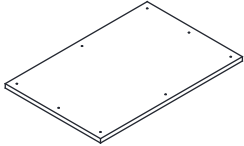
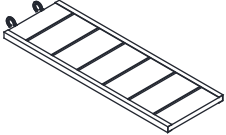
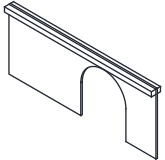
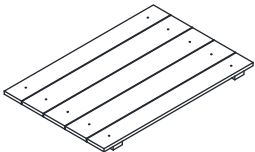

Connect the two sets together with (J)*2 Metal connector and screws.

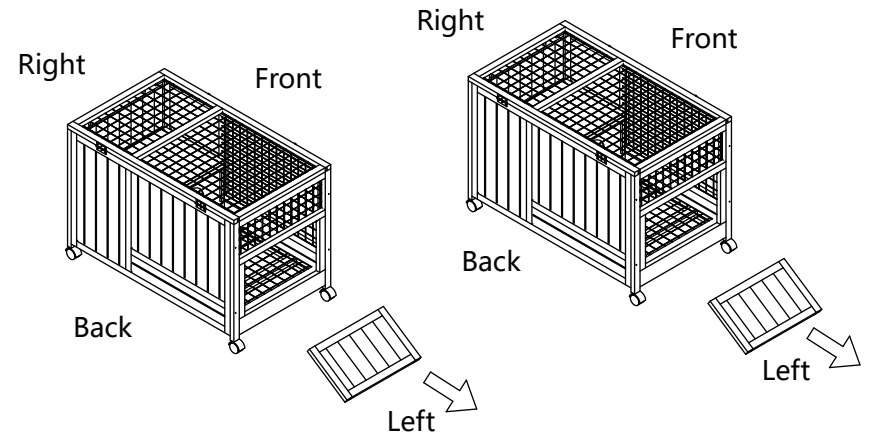
STEP 17



ASSEMBLY INSTRUCTION


Tool Required:  Electric Drill  Phillips Screwdriver

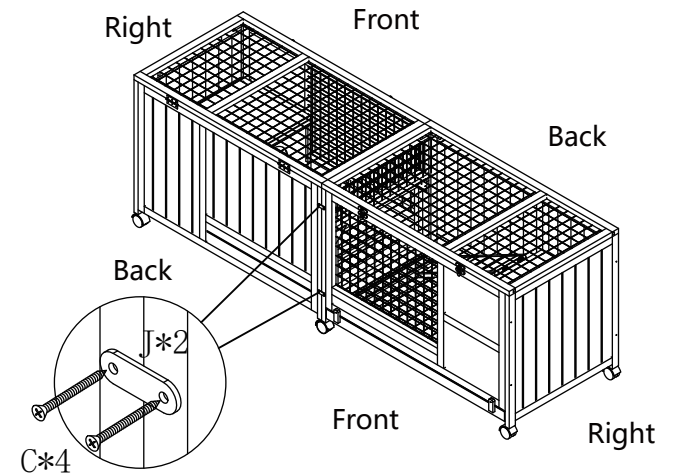
		
① Front Panel	② Back Panel	③ Left Panel
		
④ Right Panel	⑤ Tray	⑥ Roof
		
⑦ Bottom net	⑧ Layer board	⑨ Ramp
		
⑩ Partition Panel	⑪ Bottom panel	⑫ Chew sitck



Take off the wooden door.

STEP 15

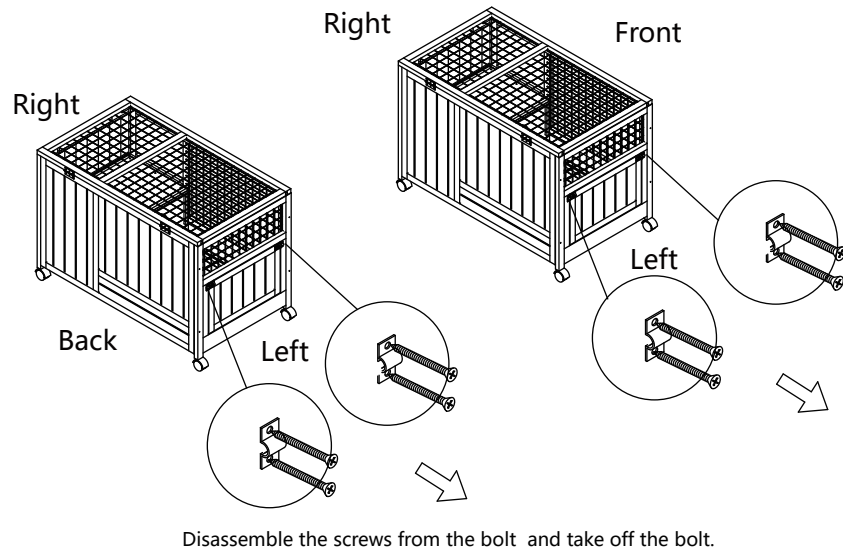
C M3.0*16 4PCS
J  2PCS



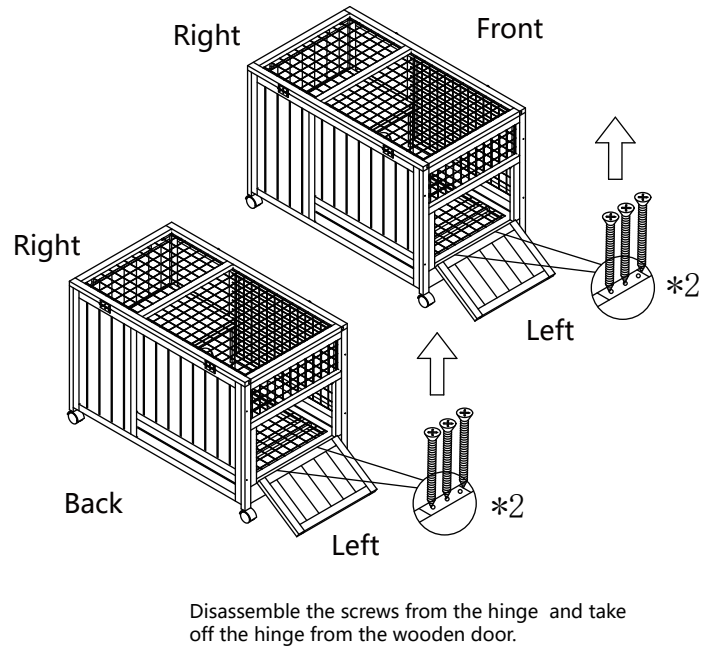
Connect the two sets together with (J)*2 Metal connector and screws.

STEP 16

ASSEMBLY INSTRUCTIONS FOR TWO SETS CONNECTION



STEP 13



STEP 14

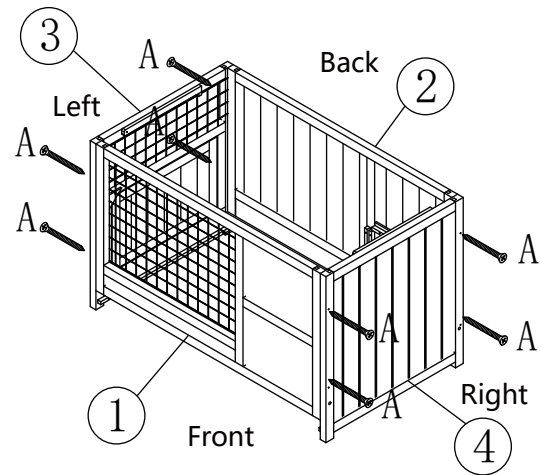
ASSEMBLY INSTRUCTION

Tool Required: Electric Drill Phillips Screwdriver

Parts Description

	A M4*45	8PCS+1
	B M3.0*25	2PCS+1
	C M3.0*16	38PCS+1
	D	2PCS
	E	1PC
	F	2PCS
	G	2PCS
	H	4PCS
	I	4PCS
	J	4PCS

A M4*45 8PCS

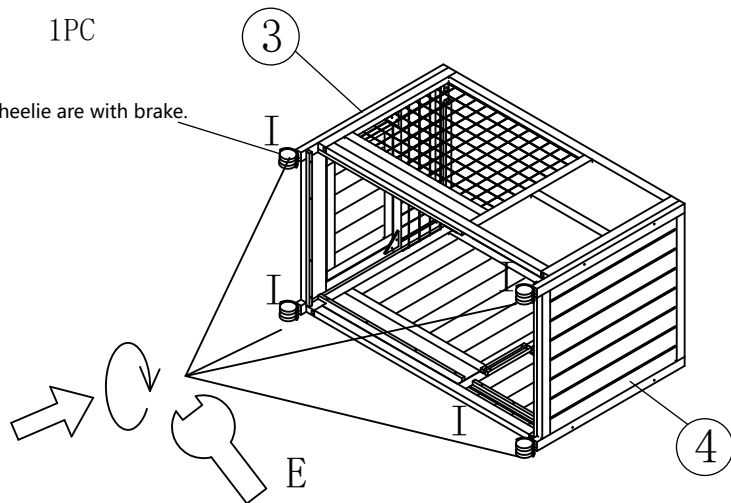


Attach ① Front Panel, ② Back Panel, ③ Left panel, ④ Right Panel with screws.

STEP 1

- I 4PCS
- E 1PC

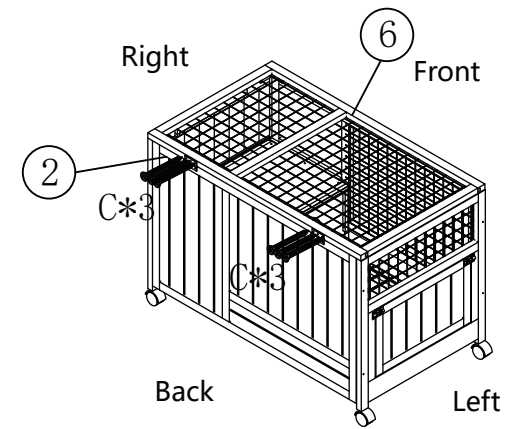
The wheelie are with brake.



Fix(I)*4 Wheelie on ③ Left panel and ④ Right Panel with (E) Spanner.

STEP 2

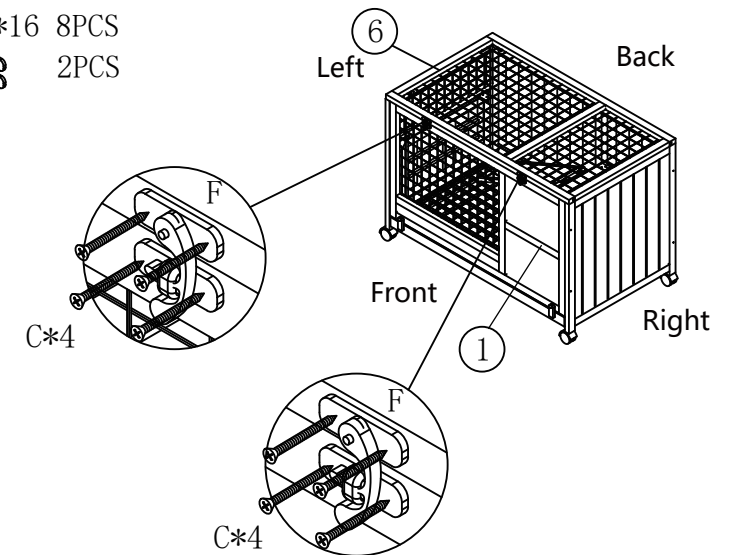
C M3.0*16 6PCS



Fix ⑥ Roof on ② Back panel with screws.

STEP 11

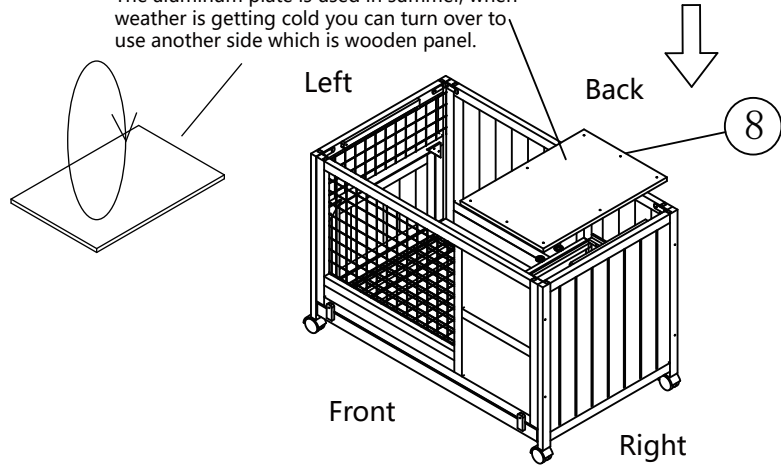
- C M3.0*16 8PCS
- F 2PCS



Fix (F) *2 Locks on ① Front Panel and ⑥ Roof with screws.

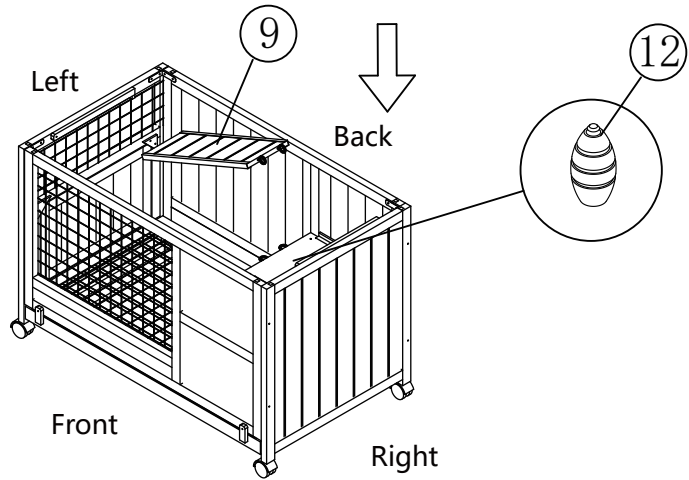
STEP 12

The aluminum plate is used in summer, when weather is getting cold you can turn over to use another side which is wooden panel.



Put in ⑧ Layer board.

STEP 9

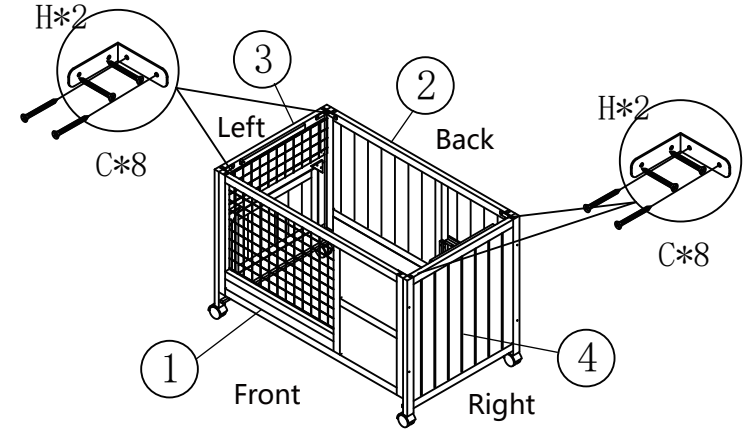


Put in ⑨ Ramp, Put in ⑫ Chew stick.

STEP 10

C M3.0*16 16PCS

H  4PCS

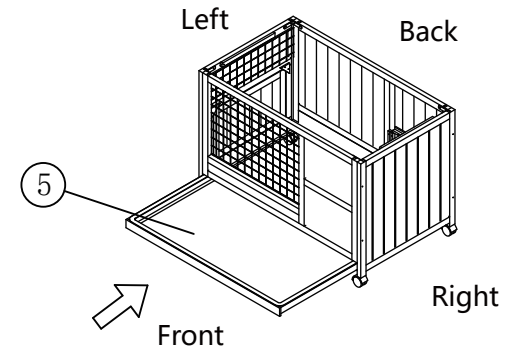


Fix(H)*4 Angle iron on 4 corners of
① Front Panel, ② Back Panel,
③ Left panel, ④ Right Panel with screws.

Left Panel

STEP 3

④ Right Panel

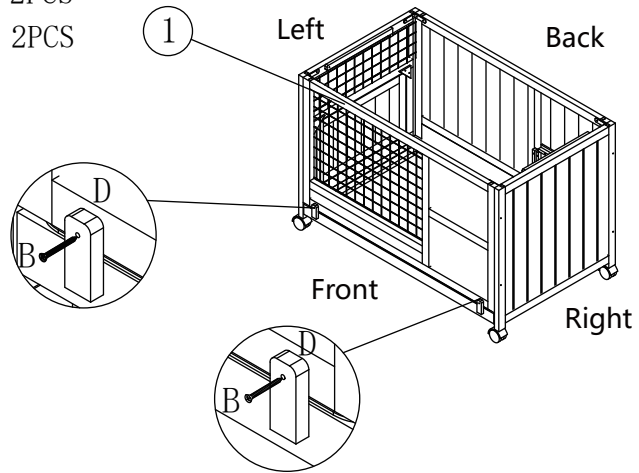


Insert ⑤ tray.

STEP 4

B M3.0*25 2PCS

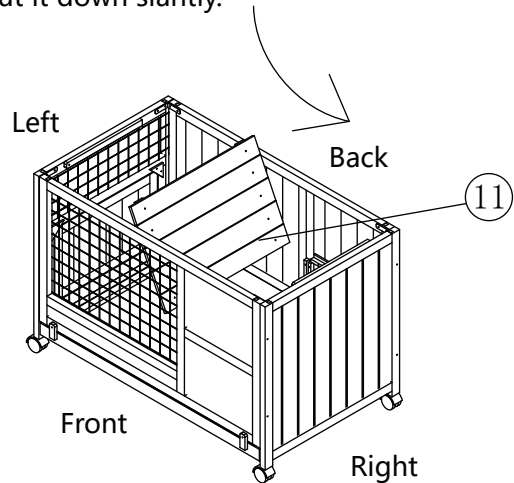
D  2PCS



Fix(D)*2 Wooden knob on ① Front Panel with screws.

STEP 5

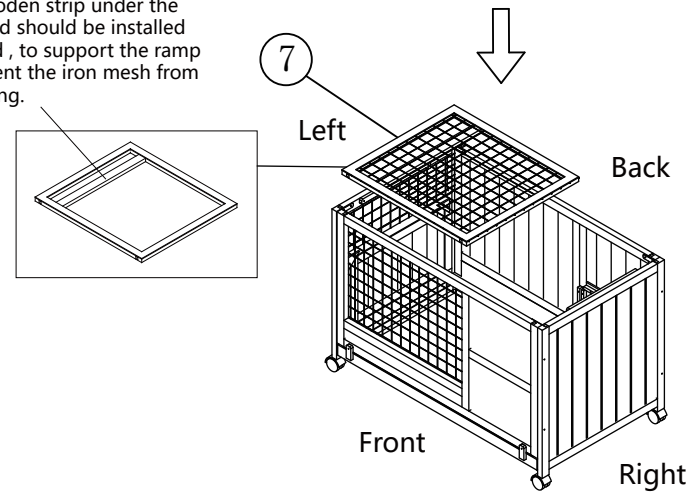
Please put it down slantly.



Put in ⑪ Bottom panel .

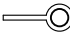
STEP 6

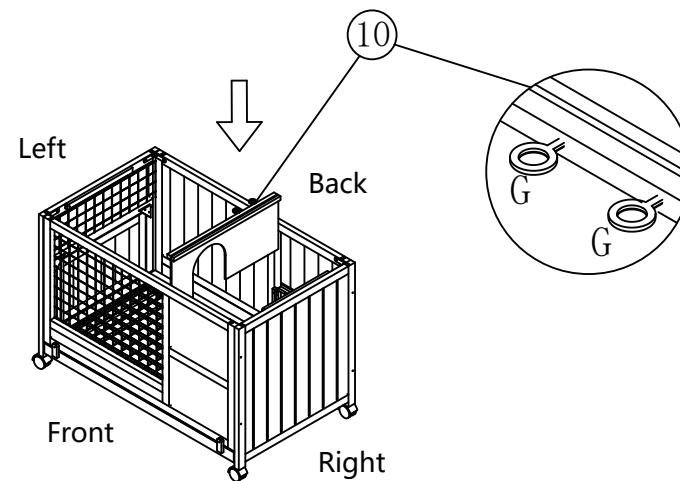
The wooden strip under the net board should be installed outward , to support the ramp to prevent the iron mesh from collapsing.



Put in ⑦ Net board

STEP 7

G  2PCS



Fix (G)*2 Hooks on ⑩ Partition panel, then put in ⑩ Partition panel.

STEP 8