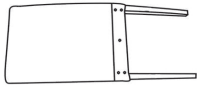
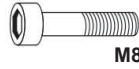





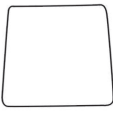

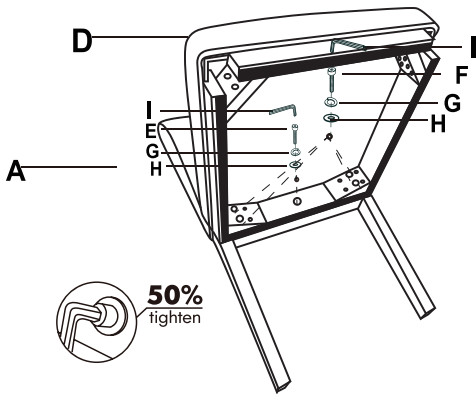


# ASSEMBLY INSTRUCTION

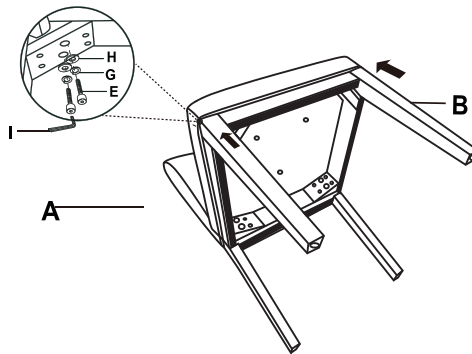
## Parts list :

Ref	Part Name	Part Image	QTY	Ref	Part Name	Part Image	QTY
A	Backrest		1pc	E	Bolt	 M8*50mm	5pcs
				F	Bolt	 M8*75mm	4pcs
B	Leg		2pcs	G	Spring washer		8pcs
C	Black cover		1pc	H	Flat washer		8pcs
D	Seat			I	Allen key		1pc

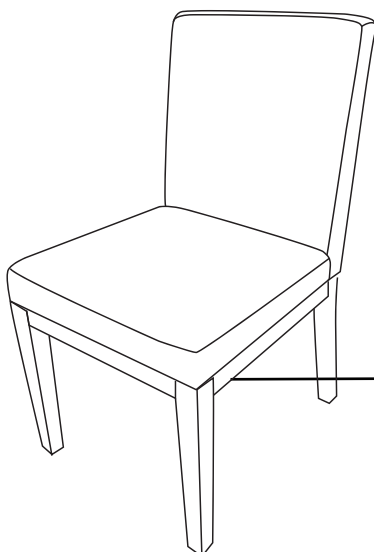
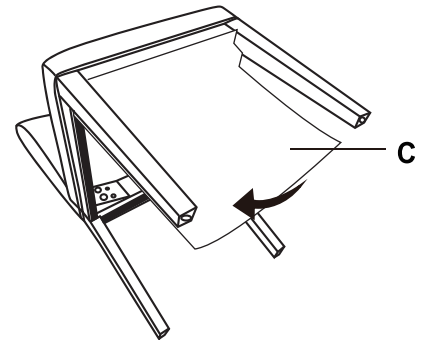
### Step 1:



### Step 2:



### Step 3:

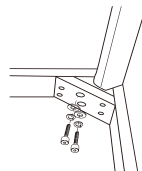


NOTICE  
ALL YOUR PARTS  
ARE UNDER THE SEAT

### ATTENTION

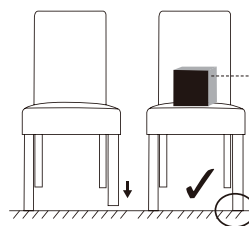
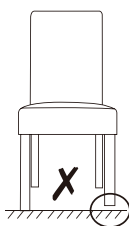
Please read the following instructions to help you assemble the dining chair faster.

#### Step 1



1. Partly screw in bolts, but do not fully tighten.

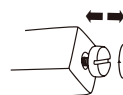
#### Step 2



Put pressure on the seat.  
(About 44lbs/20kg)

2. Place the chair on a flat surface and apply pressure to the seat. Firstly tighten the middle bolt on the back, then both bolts on the sides, and finally the front legs. Make sure all bolts are fully tightened before using the chair.

#### Step 3



3. If the legs are uneven, you can also adjust the foot pegs at the bottom of the legs to improve balance.