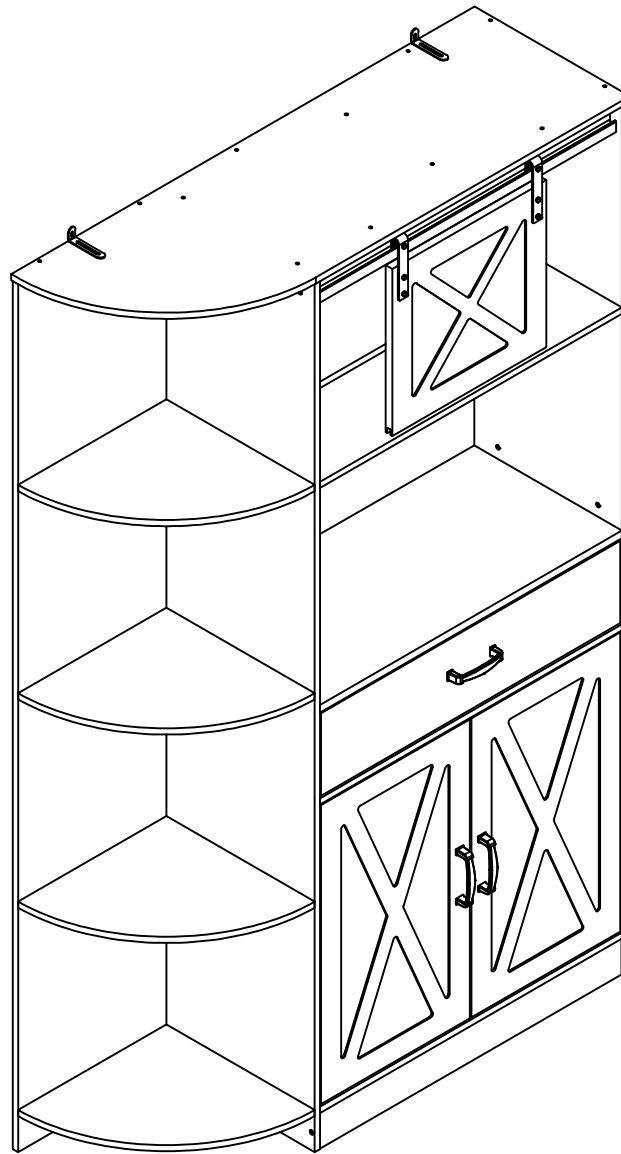


# Instruction Manual

Pantry Cabinet

SHX13409-BR/GR/WH

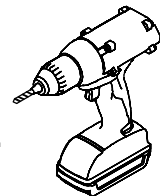


Thank you for shopping with us!

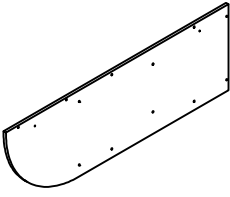
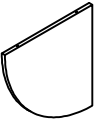
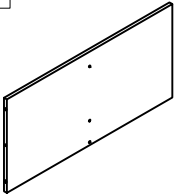
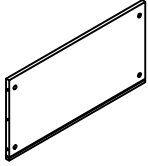
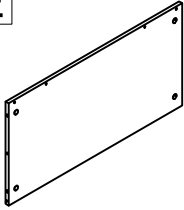
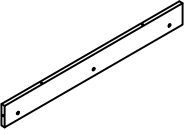
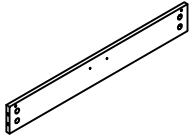
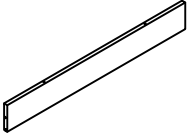
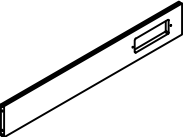
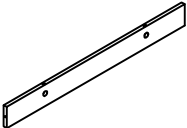
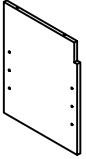

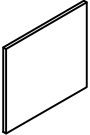
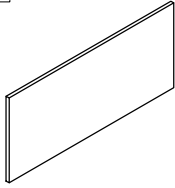
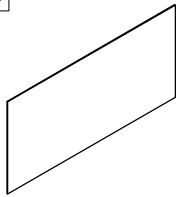

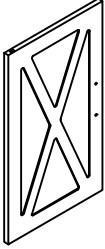
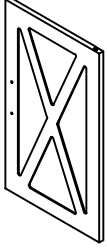

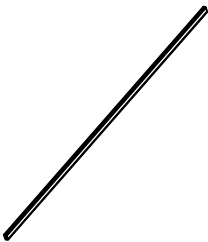
If any part is missing, broken upon receipt or you need any help from us.  
For the FASTEST SOLUTION, please FIRSTLY CONTACT US at our  
after-sales email:

**CSsince1987@hotmail. com!**

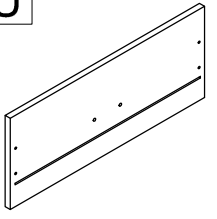
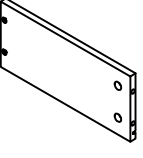
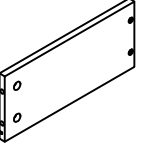
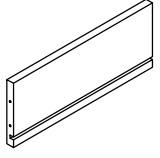
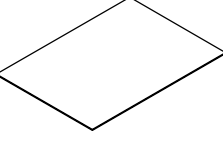
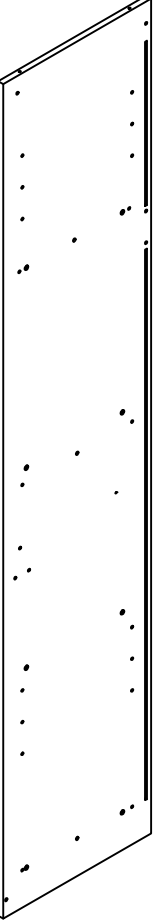
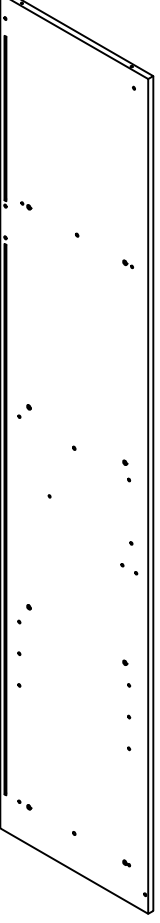
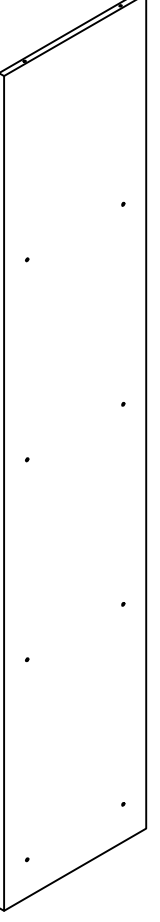
Power tool is recommended for the assembly.










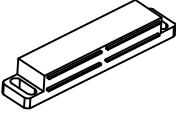

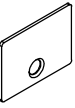
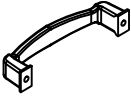
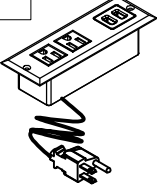


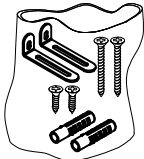
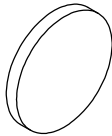
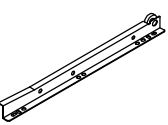
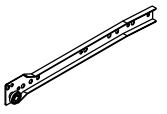
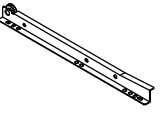
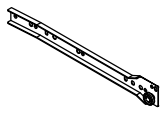

# PART LIST

				
<p>Top Panel 1 PC</p>	<p>Left Fixed Shelf Panel 4 PCS</p>	<p>Right Fixed Shelf Panel-Upper 1 PC</p>	<p>Right Fixed Shelf Panel-Center 1 PC</p>	<p>Right Bottom Panel 1 PC</p>
				
<p>Front Upper Rail 1 PC</p>	<p>Front Center Rail 1 PC</p>	<p>Rear Upper Rail 1 PC</p>	<p>Rear Center Rail 1 PC</p>	<p>Front Foot Board 1 PC</p>
				
<p>Upper Partition Panel 1 PC</p>	<p>Upper Door 1 PC</p>	<p>Upper Adjustable Shelf 1 PC</p>	<p>Lower Adjustable Shelf 1 PC</p>	<p>Upper Back Panel 2 PCS</p>
				
<p>Upper Back Panel 2 PCS</p>	<p>Lower Left Door 1 PC</p>	<p>Lower Right Door 1 PC</p>	<p>670*16.5*21mm Plastic Slide 1 PC</p>	<p>762*12*6mm Back Plastic Strip 1 PC</p>

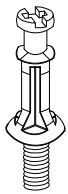
# PART LIST

				
<p>U</p> <p>Drawer Front Panel</p> <p>1 PC</p>	<p>V</p> <p>Drawer Left Panel</p> <p>1 PC</p>	<p>W</p> <p>Drawer Right Panel</p> <p>1 PC</p>	<p>X</p> <p>Drawer Back Panel</p> <p>1 PC</p>	<p>Y</p> <p>Drawer Bottom Panel</p> <p>1 PC</p>
<p>Z</p> 		<p>ZA</p> 		<p>ZB</p> 
<p>Left Panel</p> <p>1 PC</p>		<p>Right Panel</p> <p>1 PC</p>		<p>Large Back Panel</p> <p>1 PC</p>

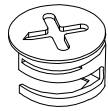
# HARDWARE LIST

<p>#1</p>  <p>Ø5*40mm</p>	<p>#2</p>  <p>M5*18mm</p>	<p>#3</p>  <p>Ø6*30mm</p>	<p>#4</p>  <p>Ø6*35mm</p>	<p>#5</p>  <p>Ø15*9mm</p>
<p>Short Screw</p> <p>40PCS (Extra 4)</p>	<p>Round Screw</p> <p>1 PC</p>	<p>Wood Dowel</p> <p>6PCS (Extra 2)</p>	<p>Cam-bolt</p> <p>22PCS (Extra 2)</p>	<p>Cam-lock</p> <p>22PCS(Extra 2)</p>
<p>#6</p>  <p>116*20*22mm</p>	<p>#7</p>  <p>4mm</p>	<p>#8</p> 	<p>#9</p>  <p>70*17*13mm</p>	<p>#10</p>  <p>Ø3.5*15mm</p>
<p>Door Hanger</p> <p>2 PCS</p>	<p>Allen Wrench</p> <p>1 PC</p>	<p>Back Bracket</p> <p>16 PCS (Extra 2)</p>	<p>Double Door Magnet</p> <p>1 PC</p>	<p>Screw</p> <p>20 PCS (Extra 2)</p>
<p>#11</p>  <p>30*22*1mm</p>	<p>#12</p>  <p>Ø3.5*12mm</p>	<p>#13</p> 	<p>#14</p>  <p>M4*18mm</p>	<p>#15</p> 
<p>Door Small Plate</p> <p>2 PCS</p>	<p>Screw</p> <p>12 PCS (Extra 2)</p>	<p>Handle</p> <p>3PCS</p>	<p>Round Head Bolt</p> <p>4 PCS (Extra 1)</p>	<p>Outlet</p> <p>1 SET</p>
<p>#16</p>  <p>16*11*Ø5mm</p>	<p>#17</p>  <p>M6*15mm</p>	<p>#18</p>  <p>Ø3.5*30mm</p>	<p>#19</p> 	<p>#20</p>  <p>Ø10*2mm</p>
<p>Shelf Holder</p> <p>8 PCS (Extra 1)</p>	<p>Bolt</p> <p>7 PCS (Extra 1)</p>	<p>Screw</p> <p>4PCS (Extra 1)</p>	<p>Safety Strap Kit</p> <p>1 SET</p>	<p>Bumper</p> <p>4 PCS</p>
<p>#21</p>  <p>12"</p>	<p>#22</p>  <p>12"</p>	<p>#23</p>  <p>12"</p>	<p>#24</p>  <p>12"</p>	<p>#25</p>  <p>M4*16mm</p>
<p>Left Drawer Slide Set (A)</p> <p>1 PC</p>	<p>Left Drawer Slide Set (B)</p> <p>1 PC</p>	<p>Right Drawer Slide Set (A)</p> <p>1 PC</p>	<p>Right Drawer Slide Set (B)</p> <p>1 PC</p>	<p>Round Head Bolt</p> <p>2 PCS</p>
<p>Phillips Screwdriver</p> <p>1 PC</p>				

# Instructions For Fastening CAM-BOLT and CAM-LOCK

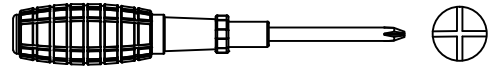


CAM-BOLT

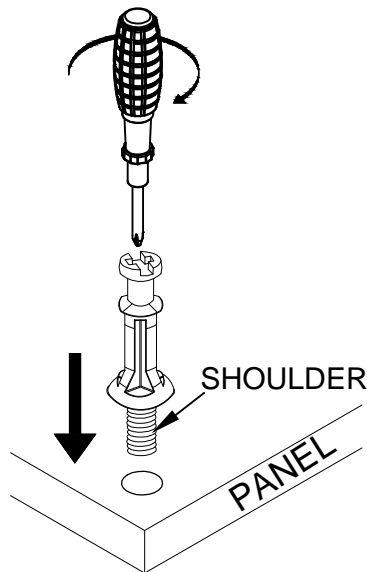


CAM-LOCK

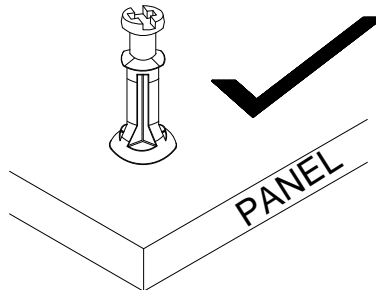
Tools Required



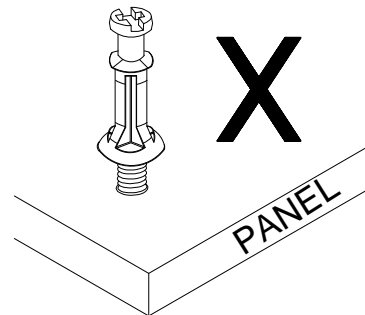
## INSERTING AND TIGHTENING CAM-BOLT



Place Cam-bolt on pre-drilled hole and screw in vertically



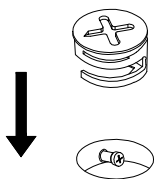
Shoulder is flushed (on the same level) with the panel.



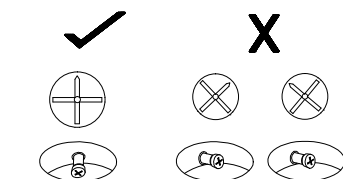
Shoulder is above the panel.

Place Cam-bolt on the designated pre-drilled holes on the panel. Use a Phillips Screwdriver to screw-in Cam-bolt vertically until shoulder is flushed (on the same level) with panel.

## INSERTING CAM-LOCK



Insert Cam-lock with arrow align to Cam-bolt head

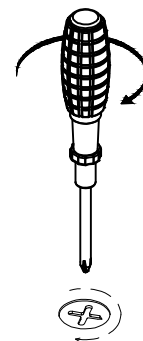


CORRECT

WRONG

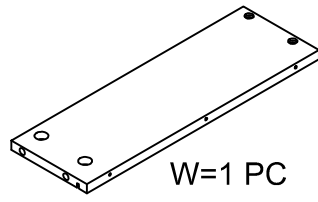
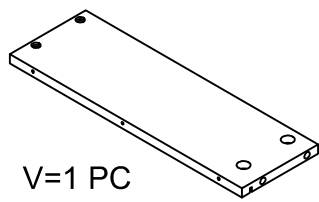
Align the arrow on the Cam-lock to the Cam-bolt head and insert the Cam-lock. Ensure Cam-lock is fully inserted.

## TIGHTENING CAM-LOCK

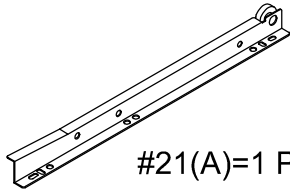


Use a Flat-head Screwdriver to turn Camlock clockwise so it locks onto the head of the Cam-bolt. Turn until it is snug (about 3/4ths of a turn) -- over-tightening could damage Cam-lock or/and Cam-bolt.

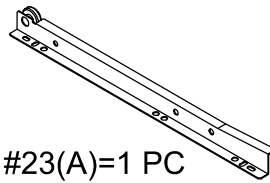
Step 1.



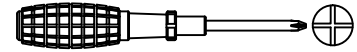
#12=6 PCS



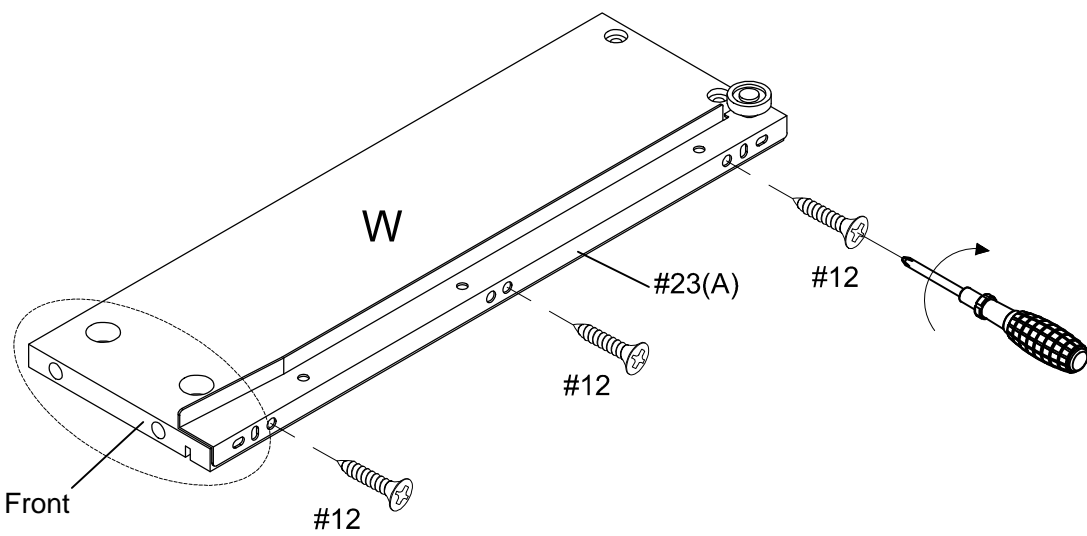
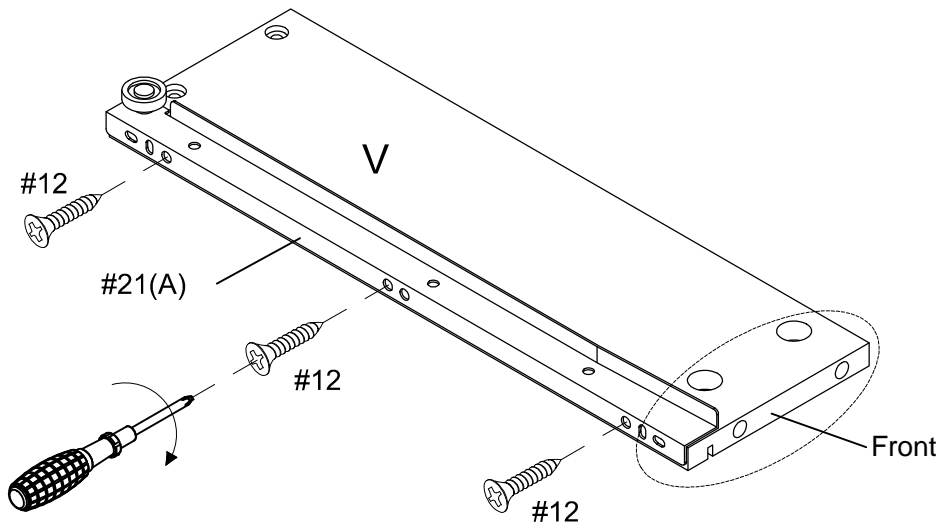
#21(A)=1 PC



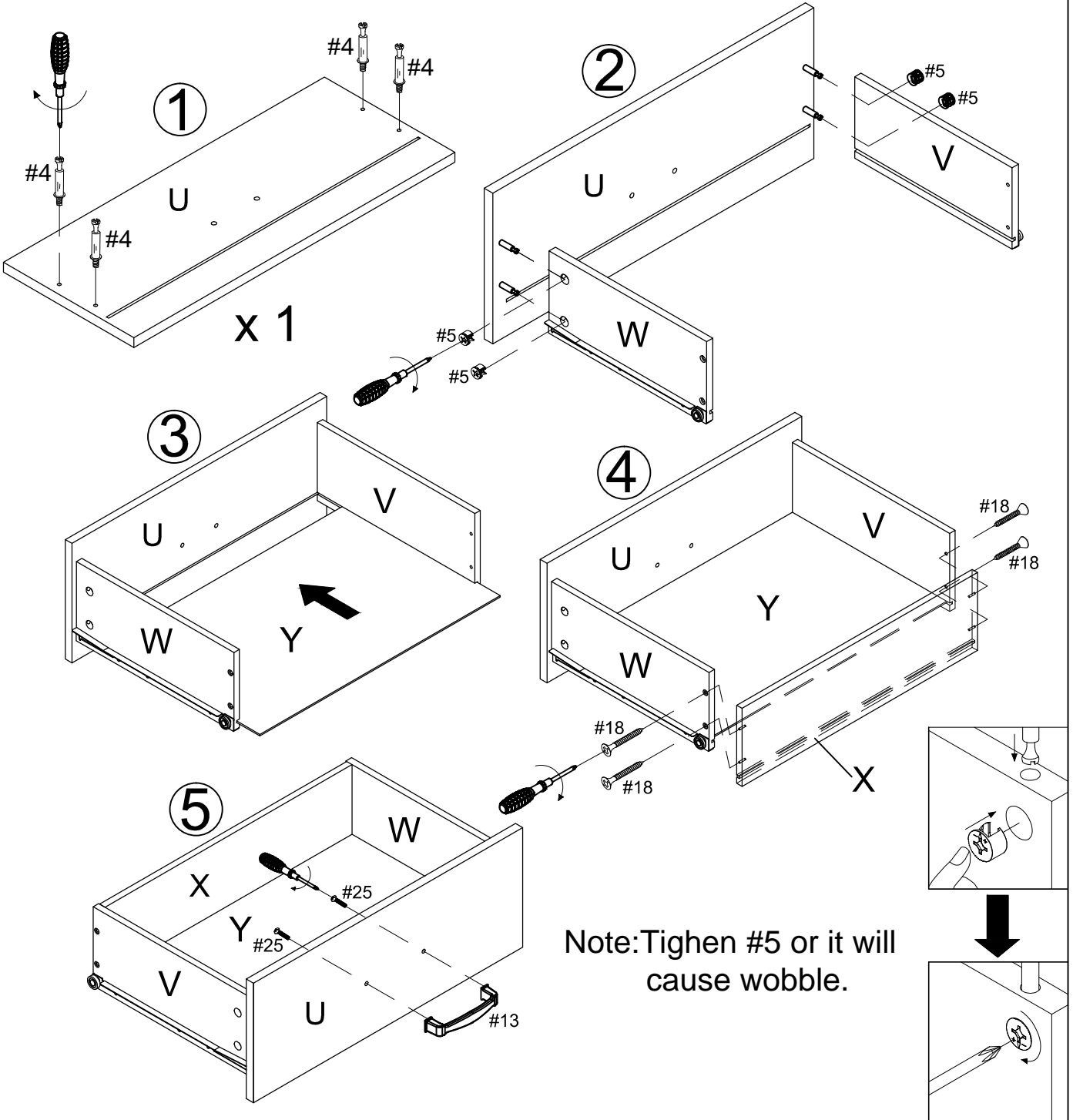
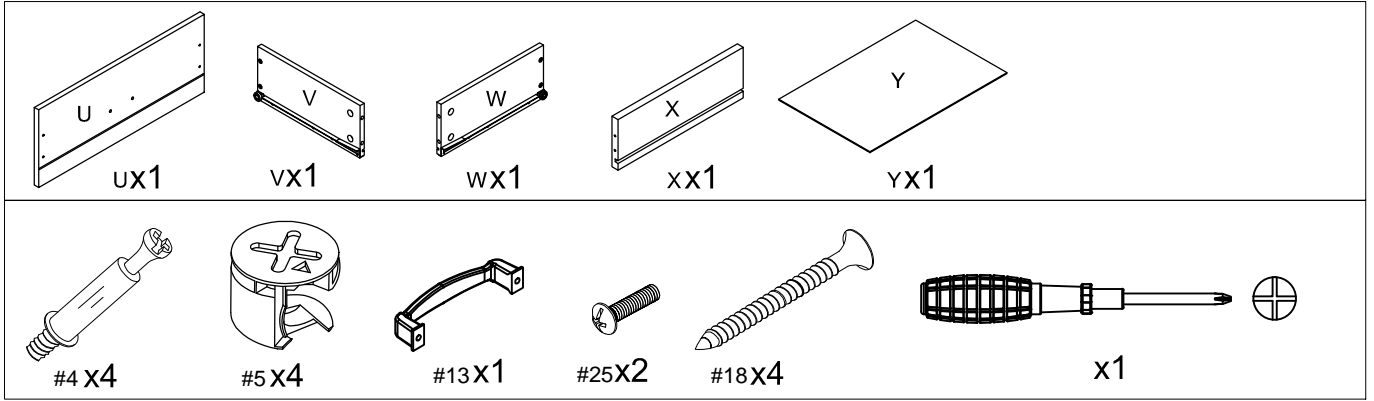
#23(A)=1 PC



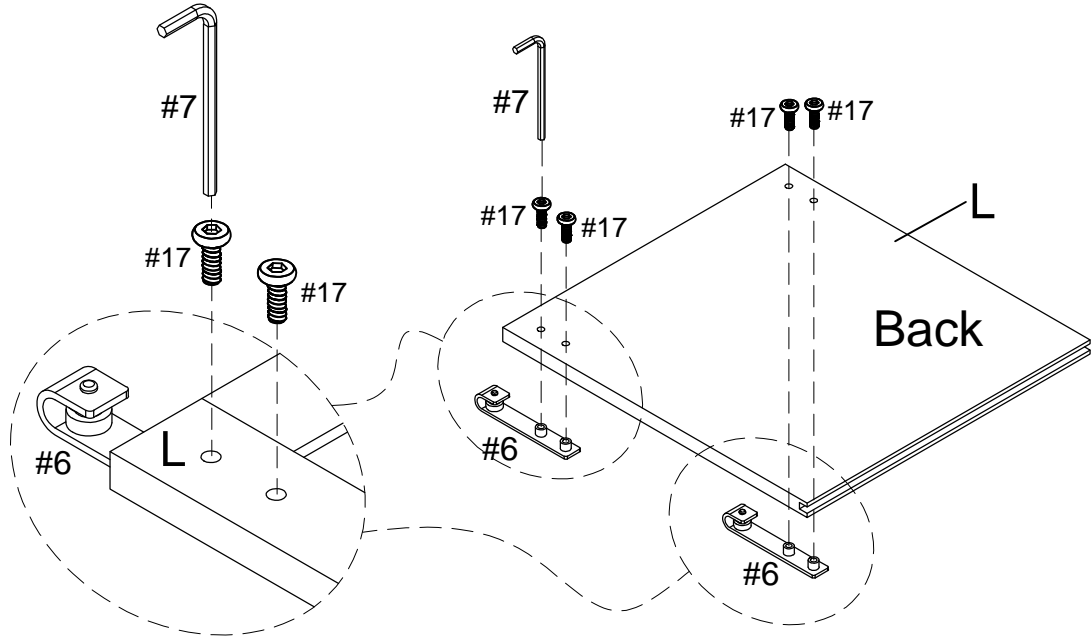
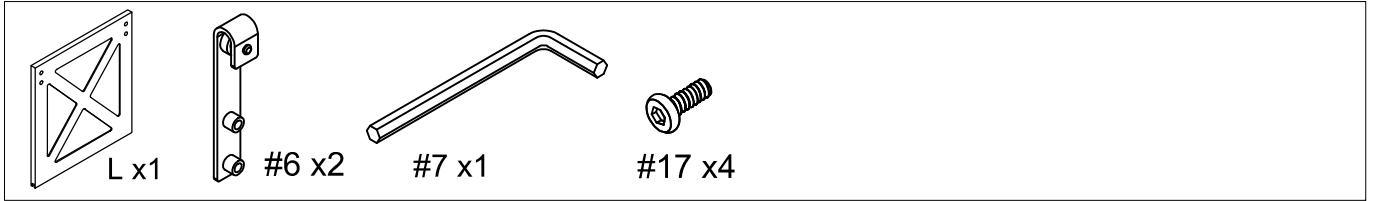
x1



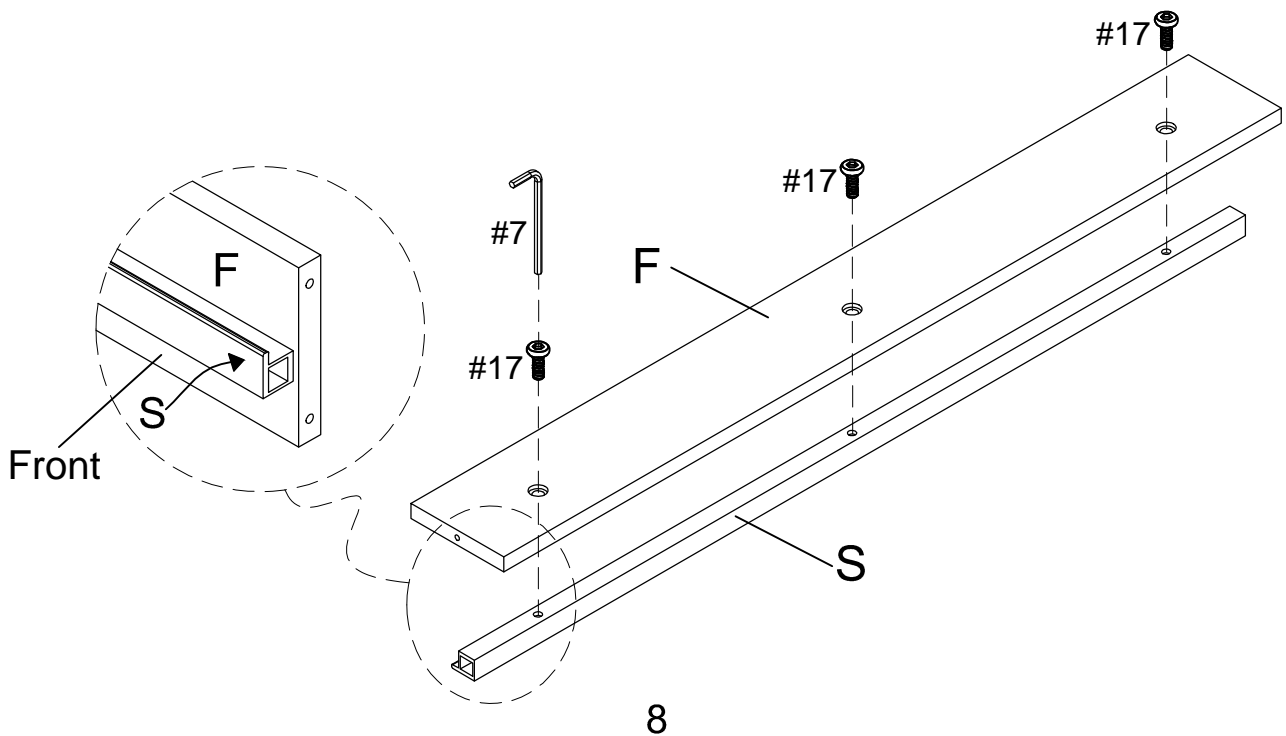
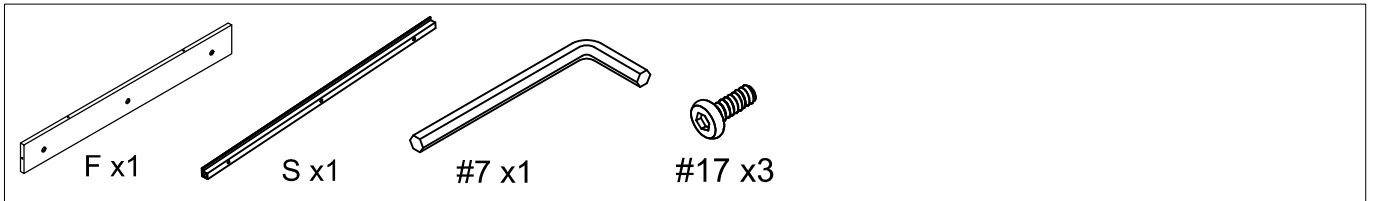
Step 2.



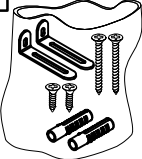
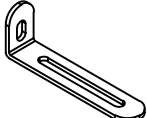

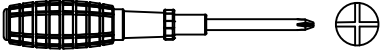
### Step 3.

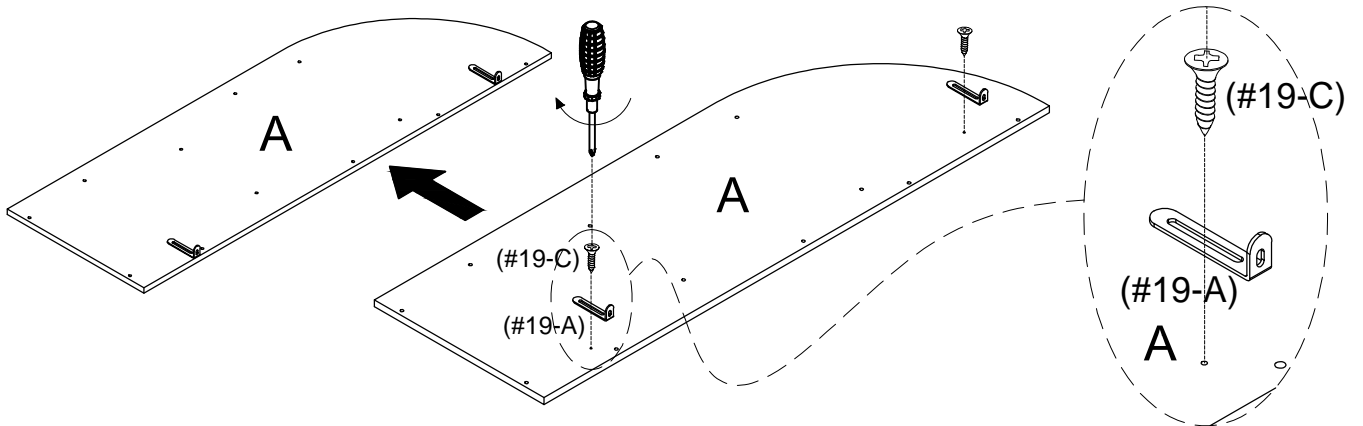


### Step 4.

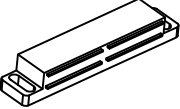

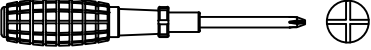


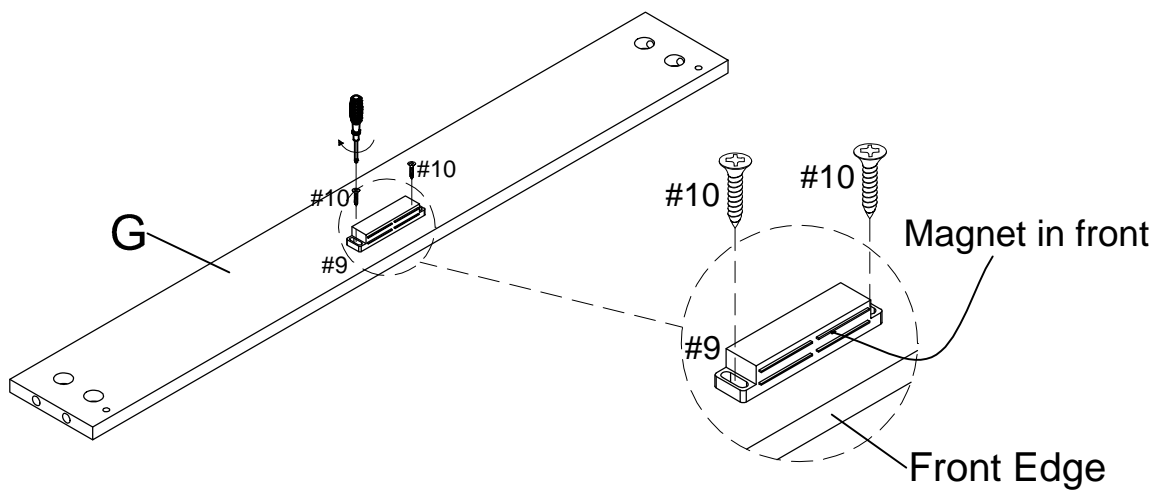
### Step 5.

<p>#19</p> 	<p>(#19-A)</p>  <p>72*24*1.5mm</p>	<p>(#19-C)</p>  <p>Ø3.5*15mm</p>	 <p>x1</p>
<p>Safety Strap Kit</p> <p>1 SET</p>	<p>Angel Iron</p> <p>2 PCS</p>	<p>Short Screw</p> <p>2 PCS</p>	

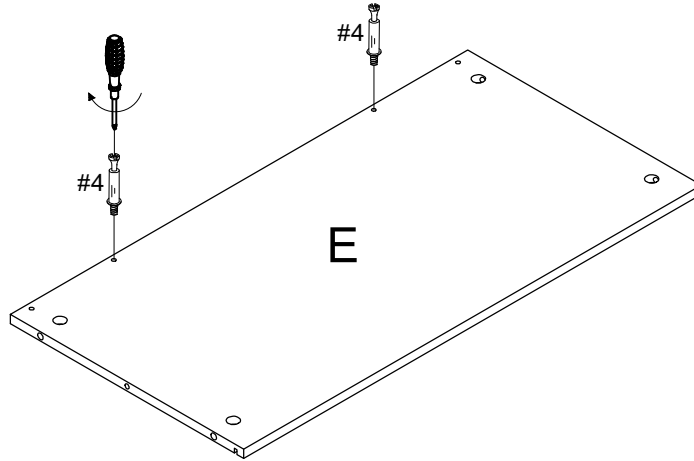
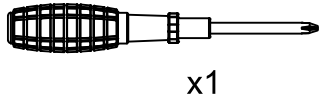
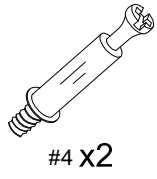


### Step 6.

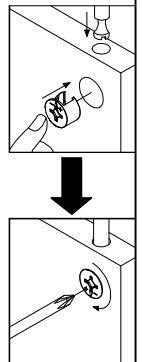
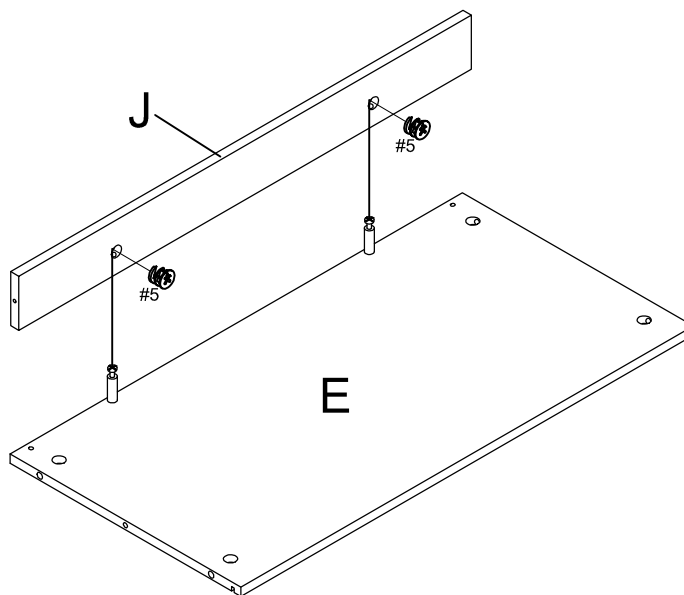
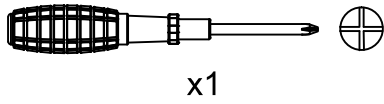
 <p>#9 x1</p>	 <p>#10 x2</p>	 <p>x1</p>
--	---	---



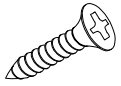
### Step 7.



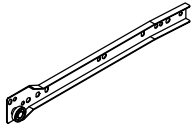
### Step 8.



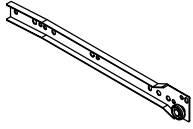
Step 9.



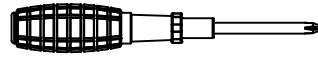
#12=4 PCS



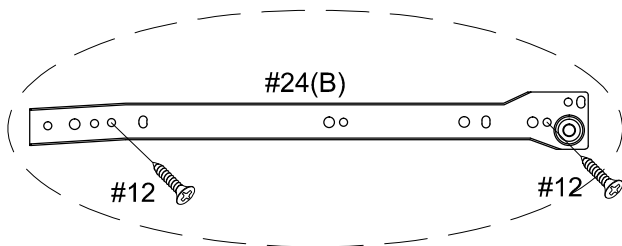
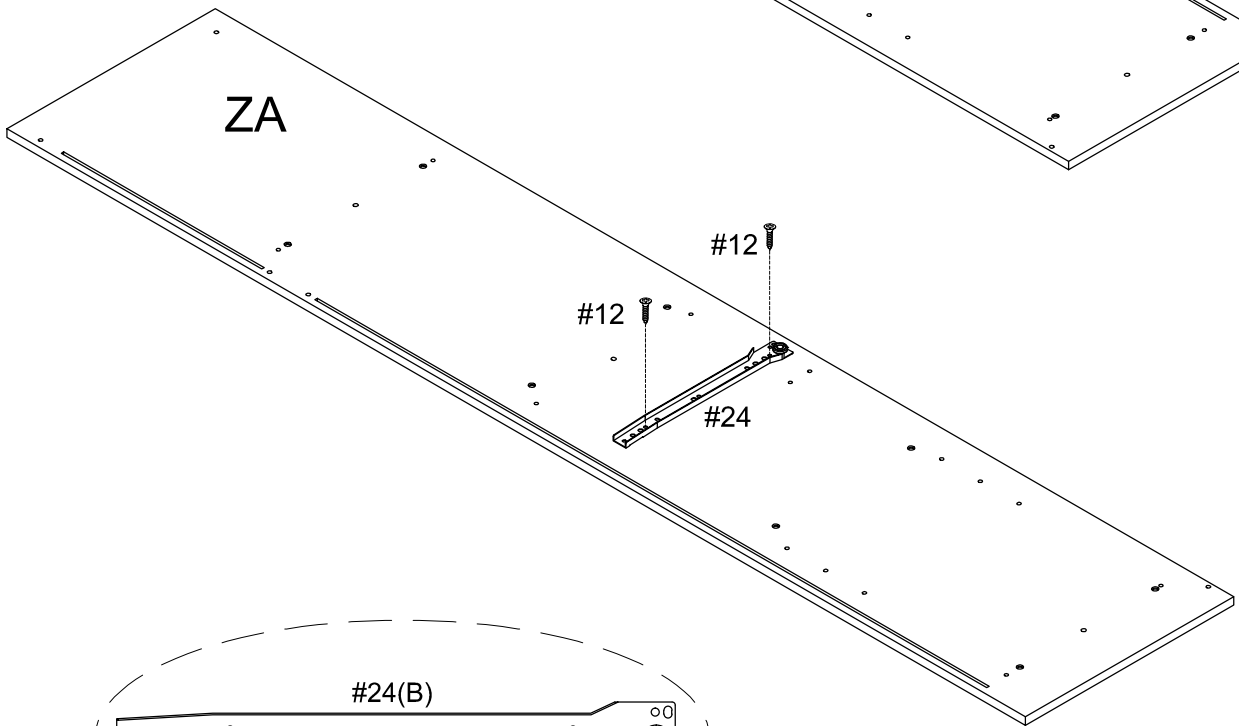
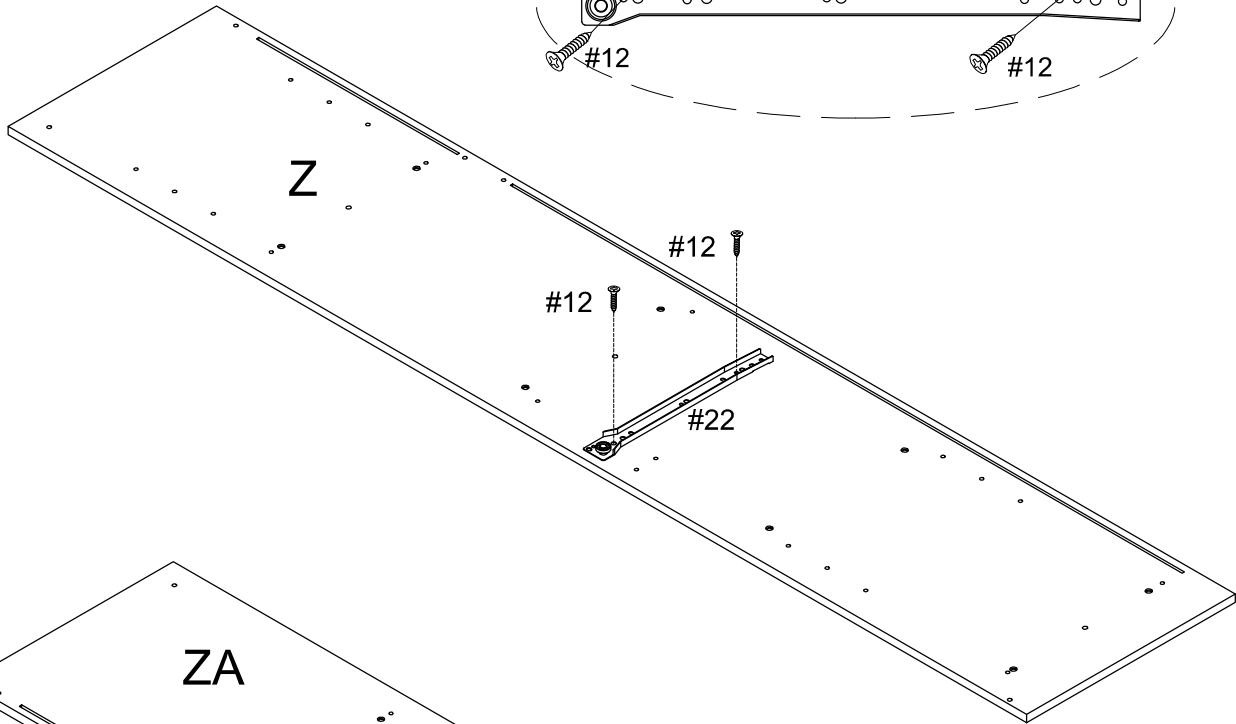
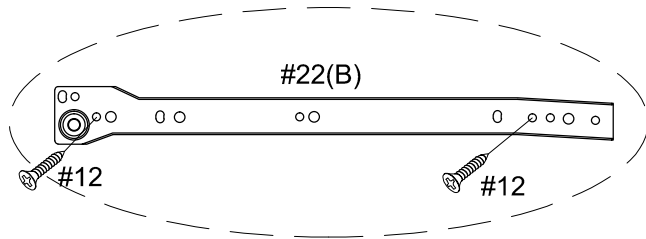
#22(B)=1 PC



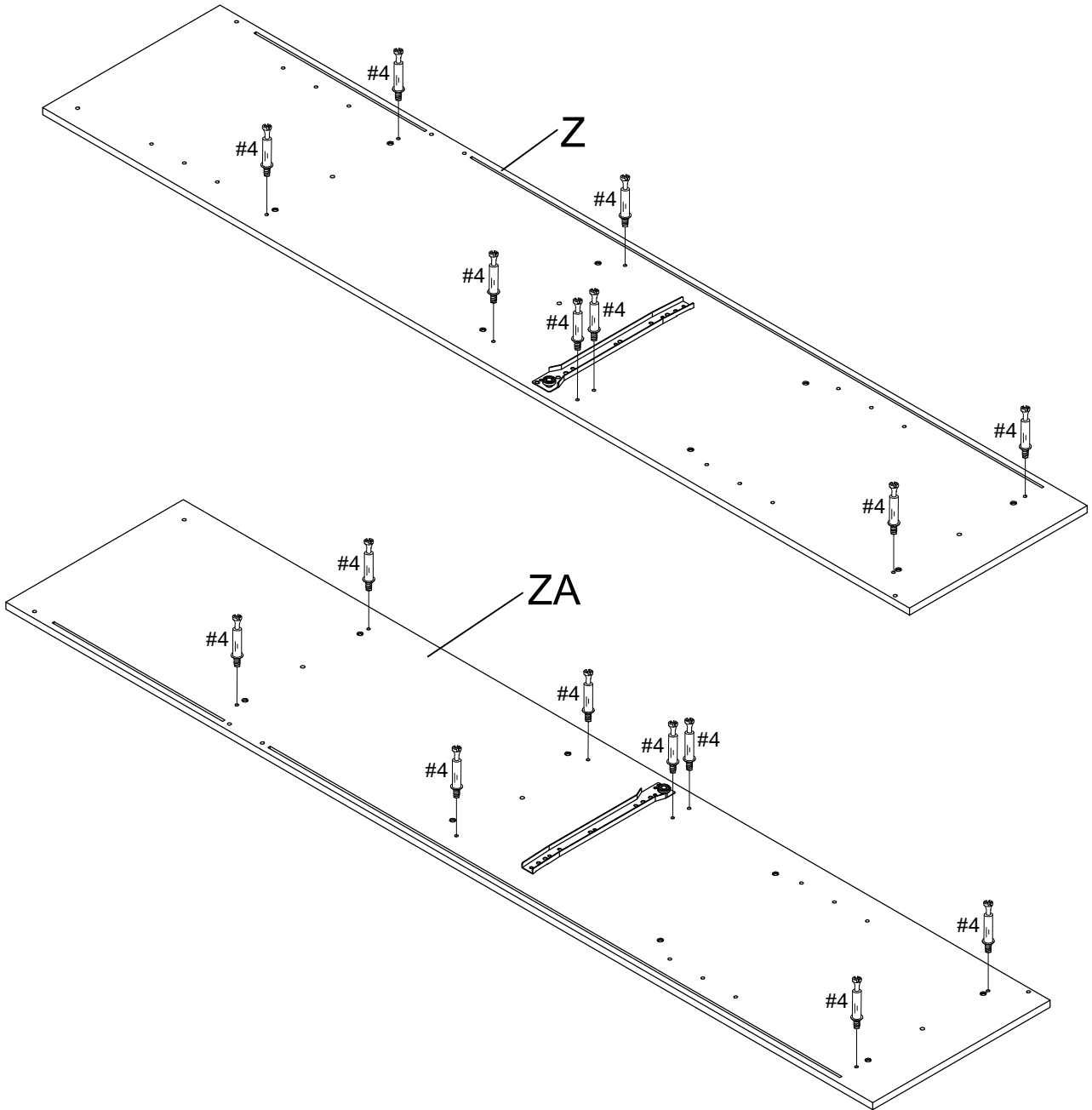
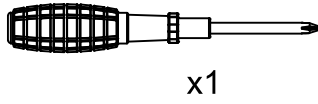
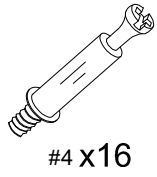
#24(B)=1 PC



x1



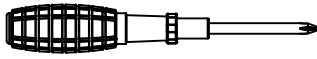
Step 10.



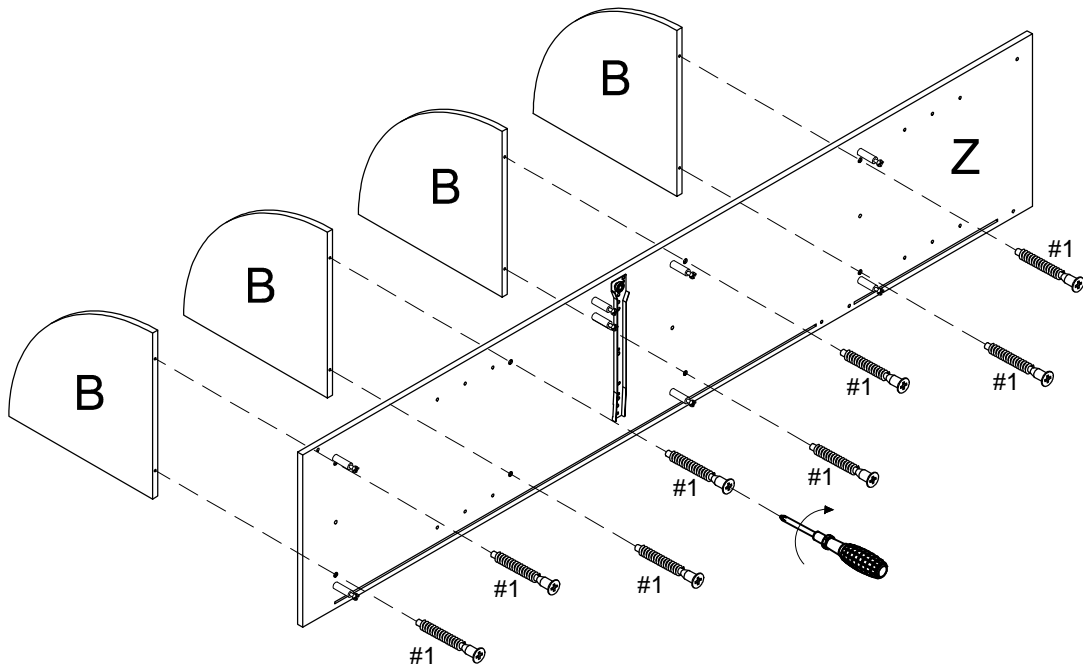
Step 11.



#1 x8



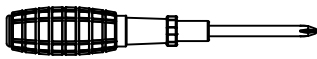
x1



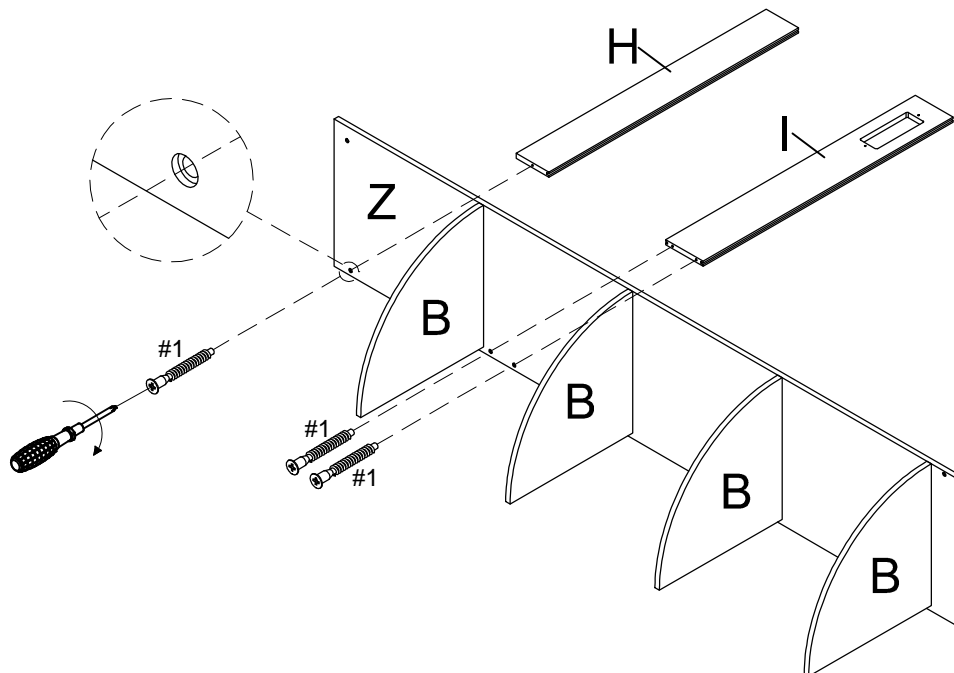
Step 12.



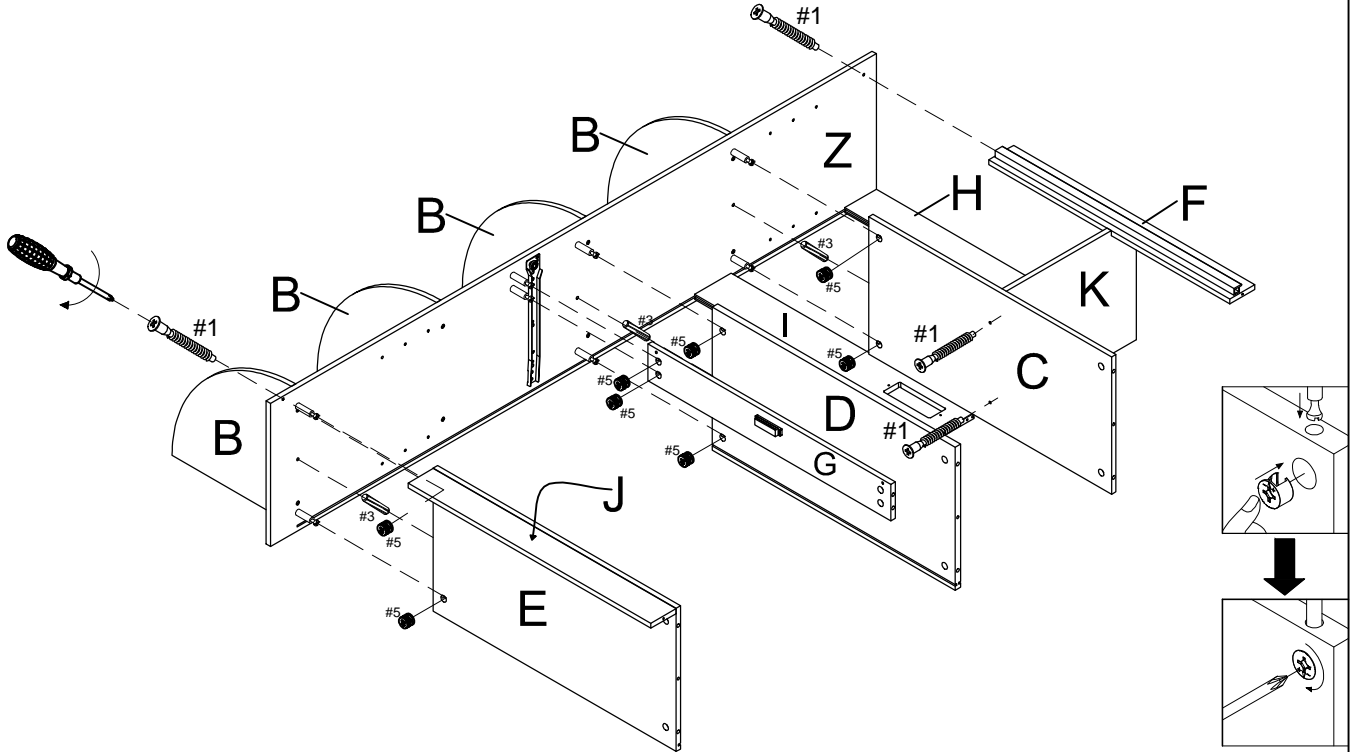
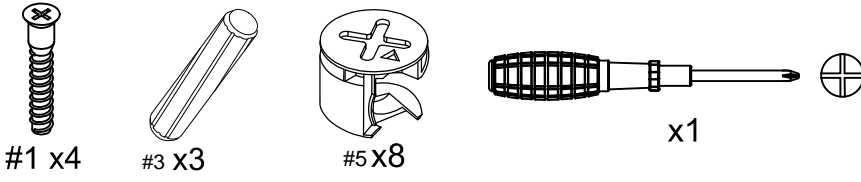
#1 x3



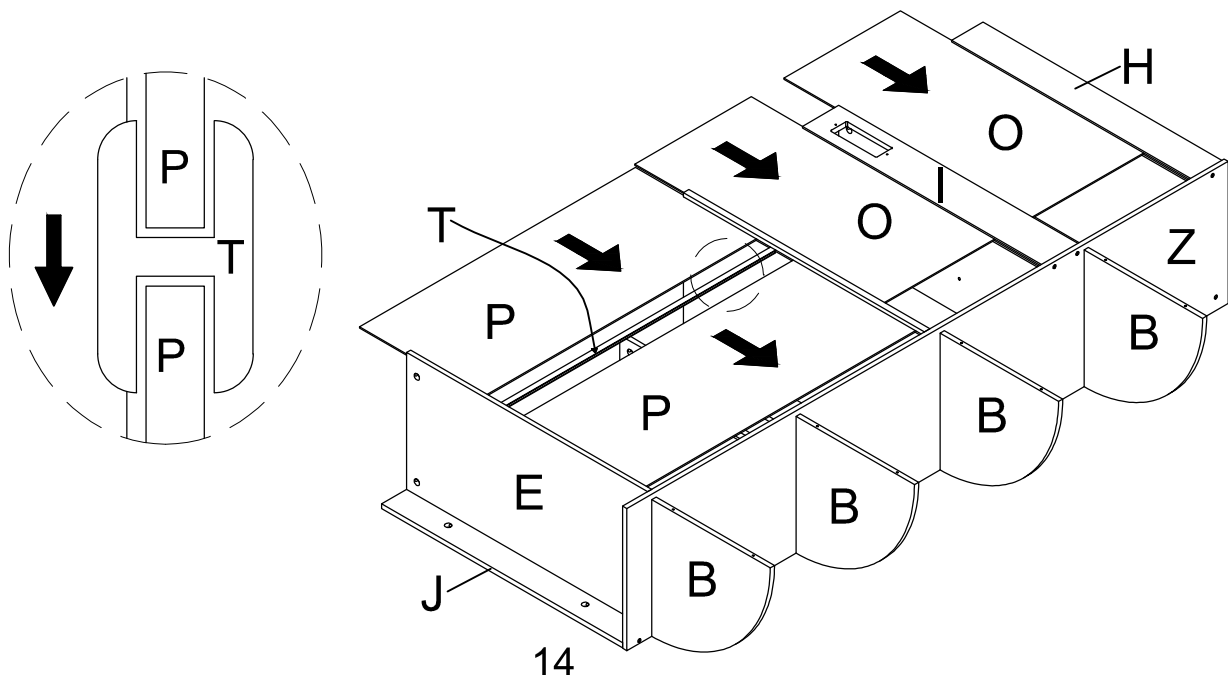
x1



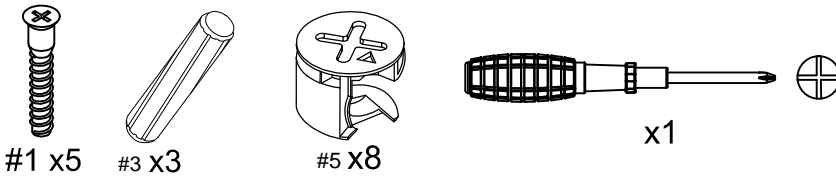
### Step 13.



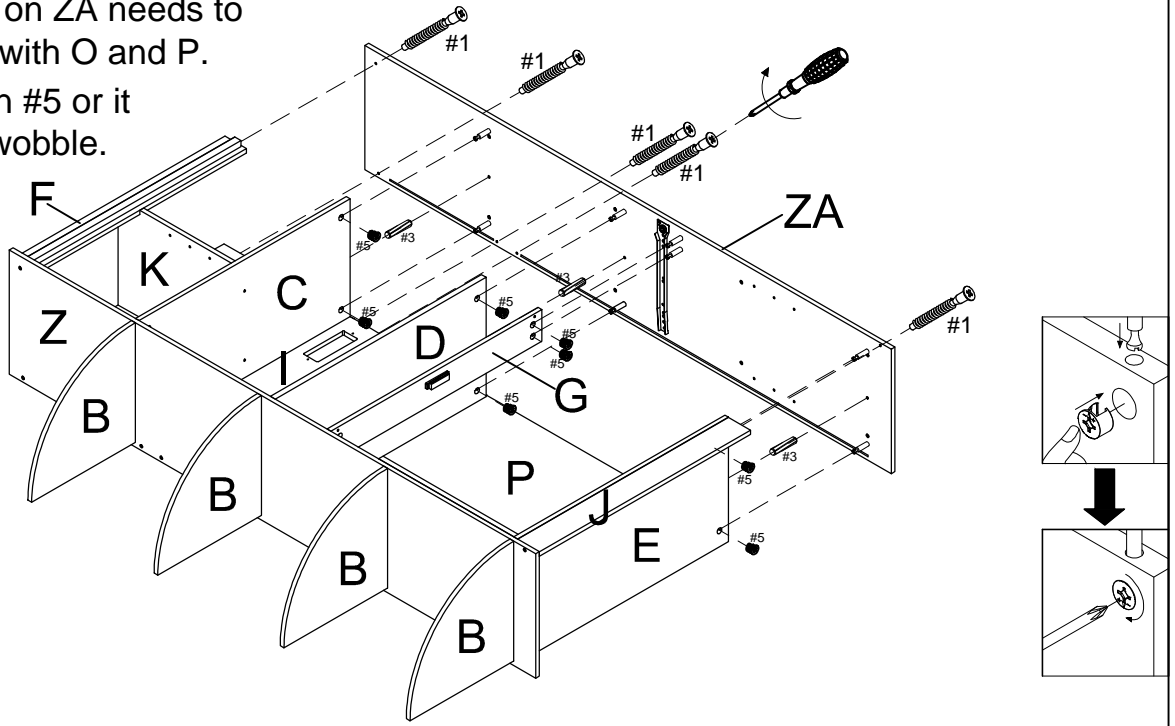
### Step 14.



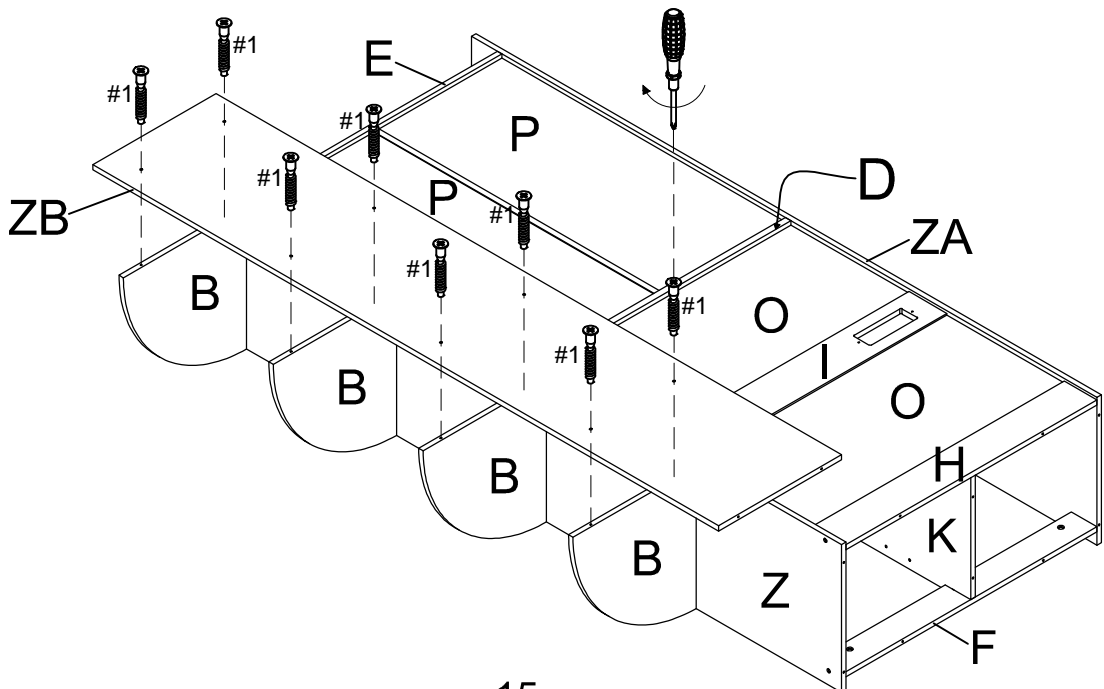
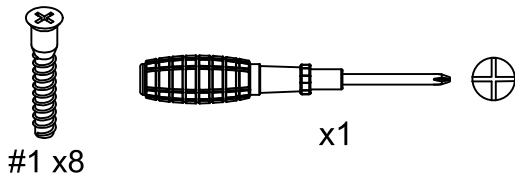
### Step 15.



1. The groove on ZA needs to be aligned with O and P.
2. Fully tighten #5 or it will cause wobble.



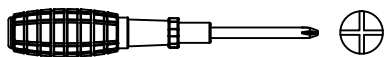
### Step 16.



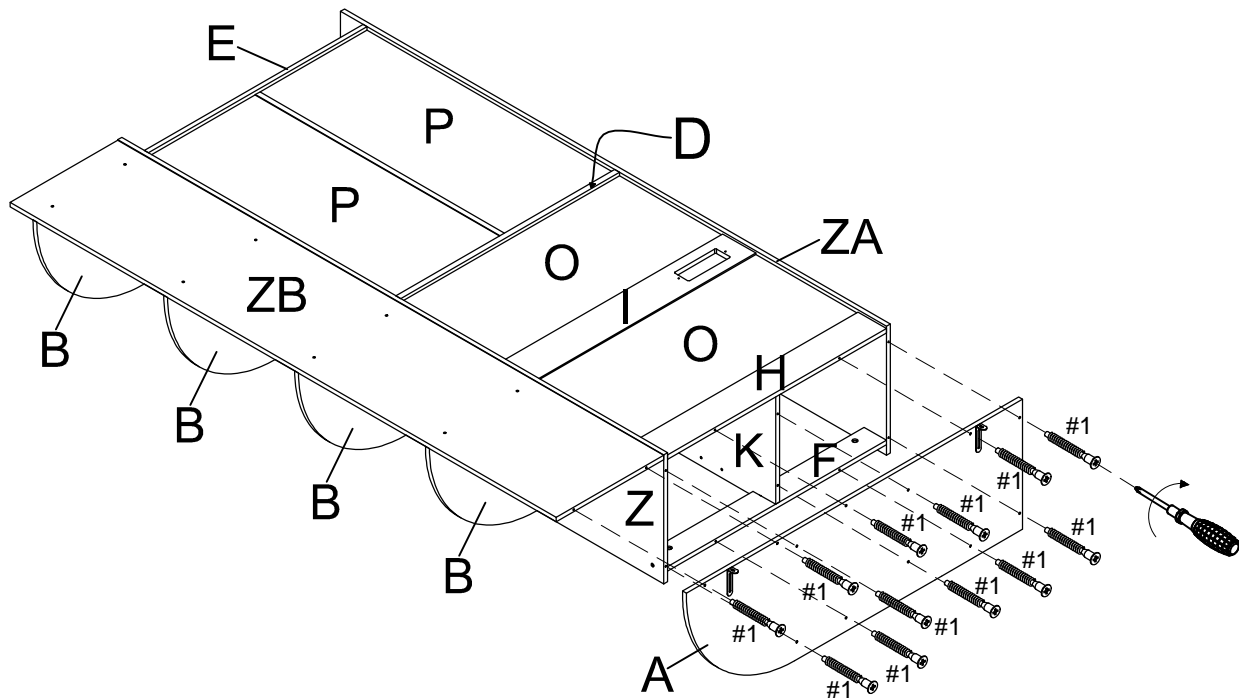
Step 17.



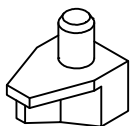
#1 x12



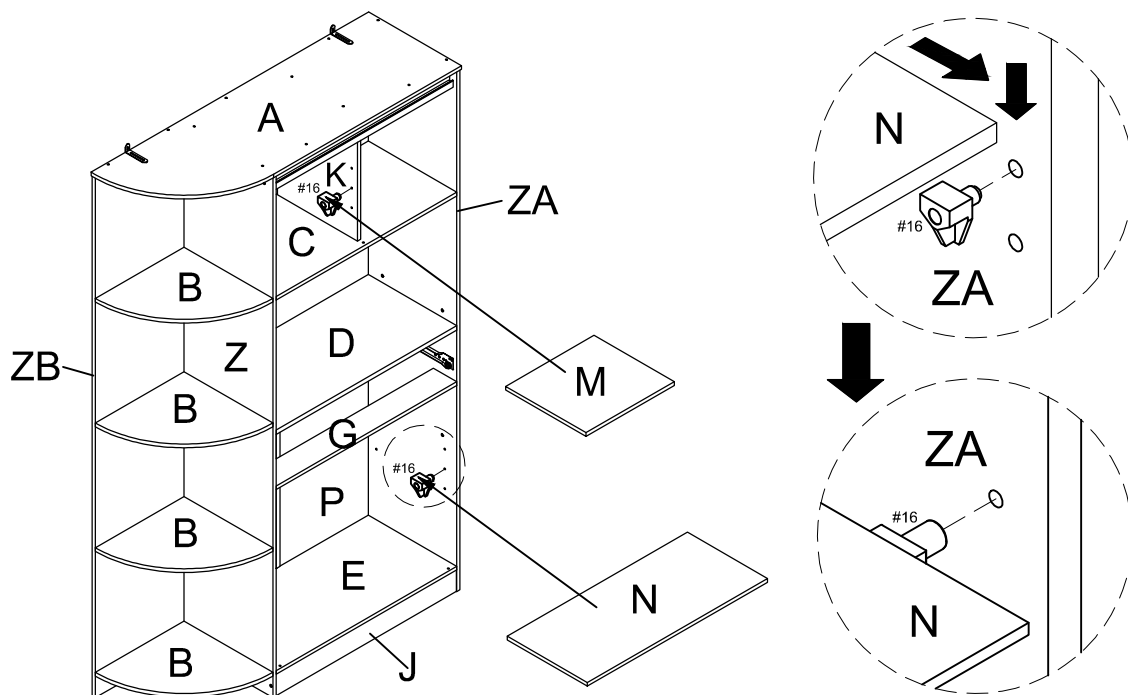
x1



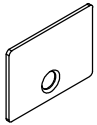
Step 18.



#16 x8



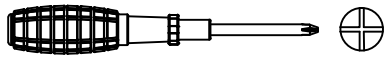
# Step 19.



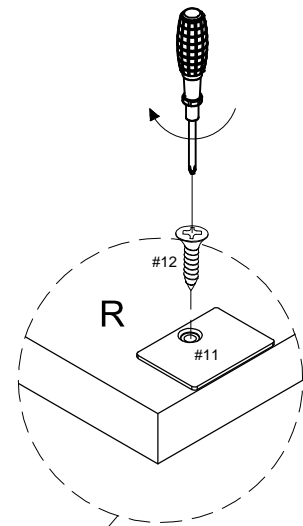
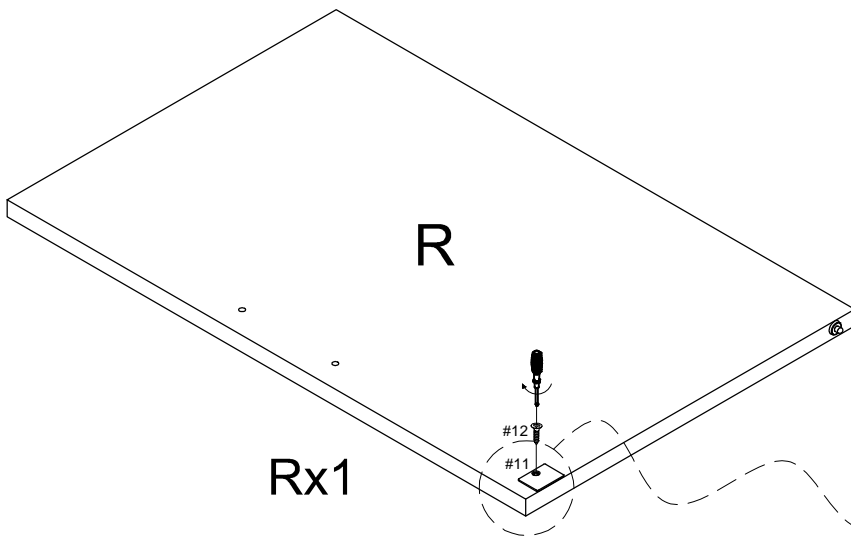
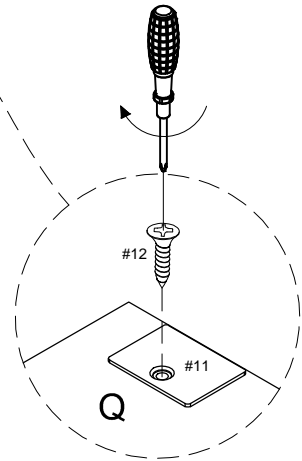
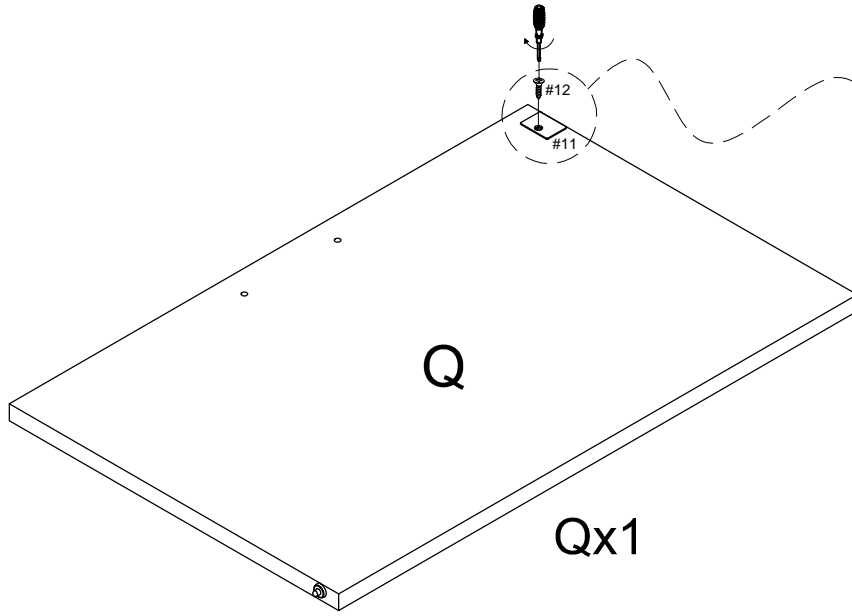
#11 X2



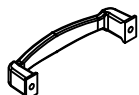
#12 X2



x1



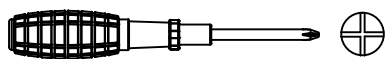
Step 20.



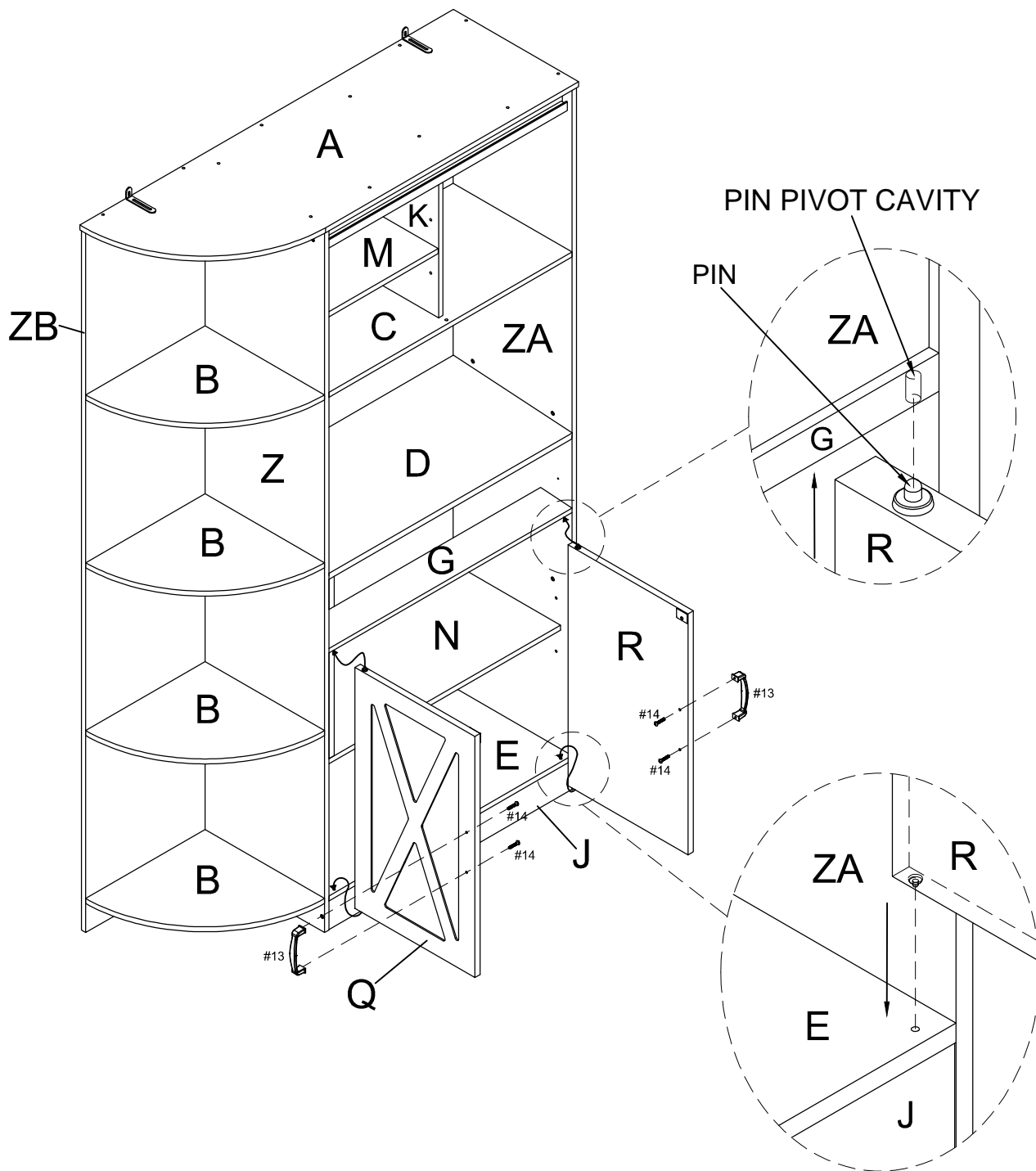
#13 x2



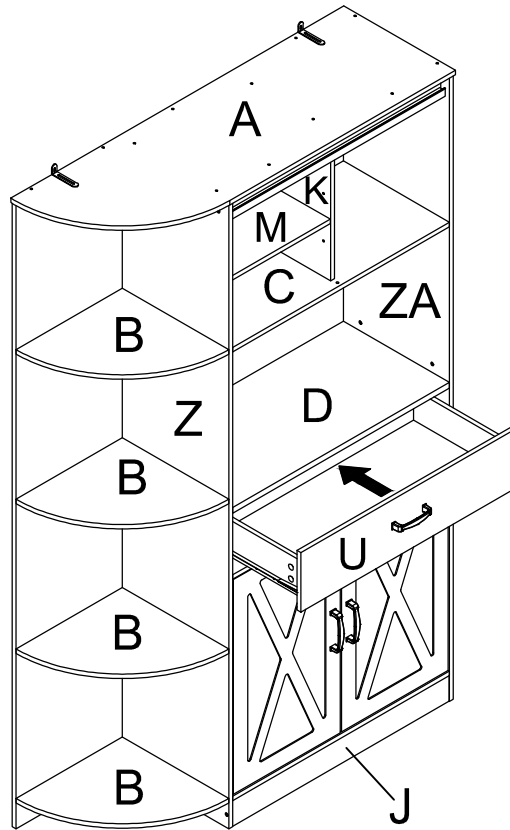
#14x4



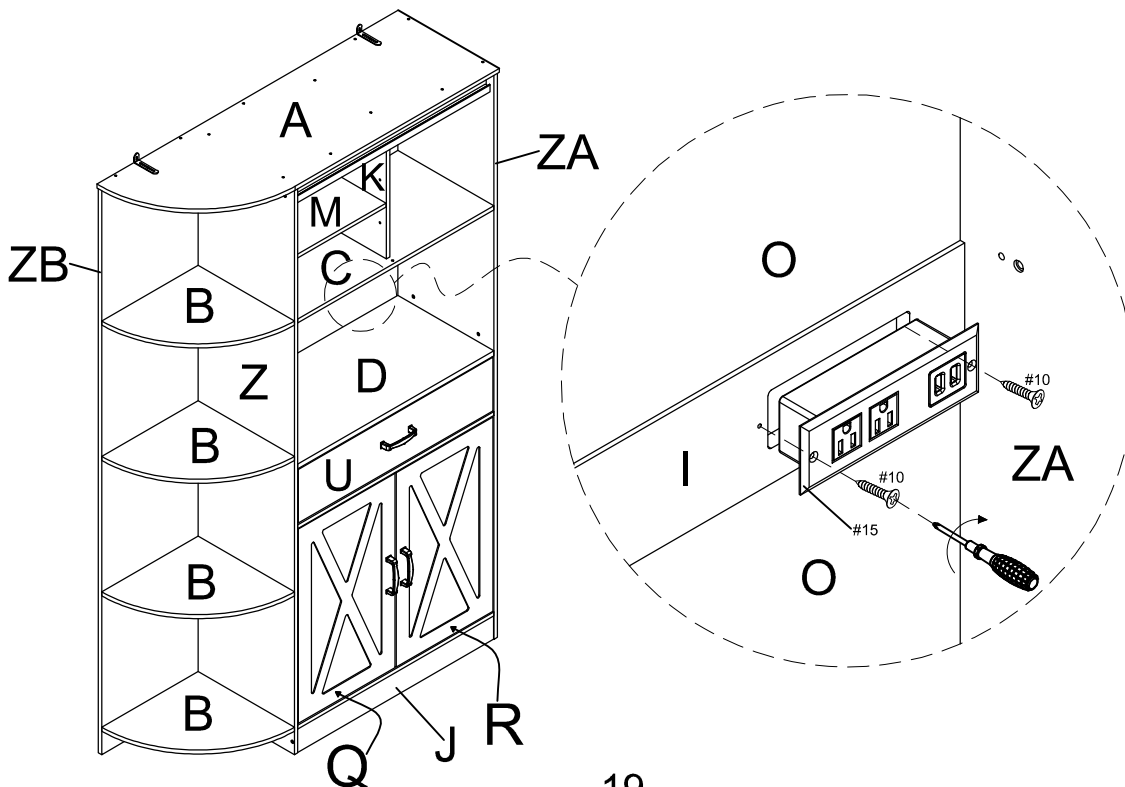
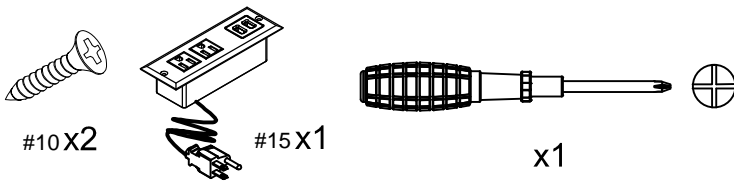
x1



Step 21.

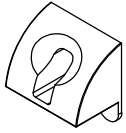


Step 22.





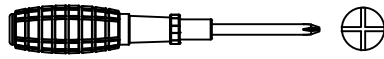
Step 24.



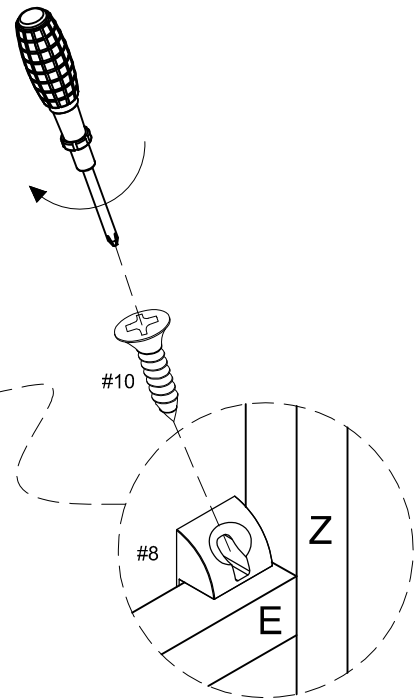
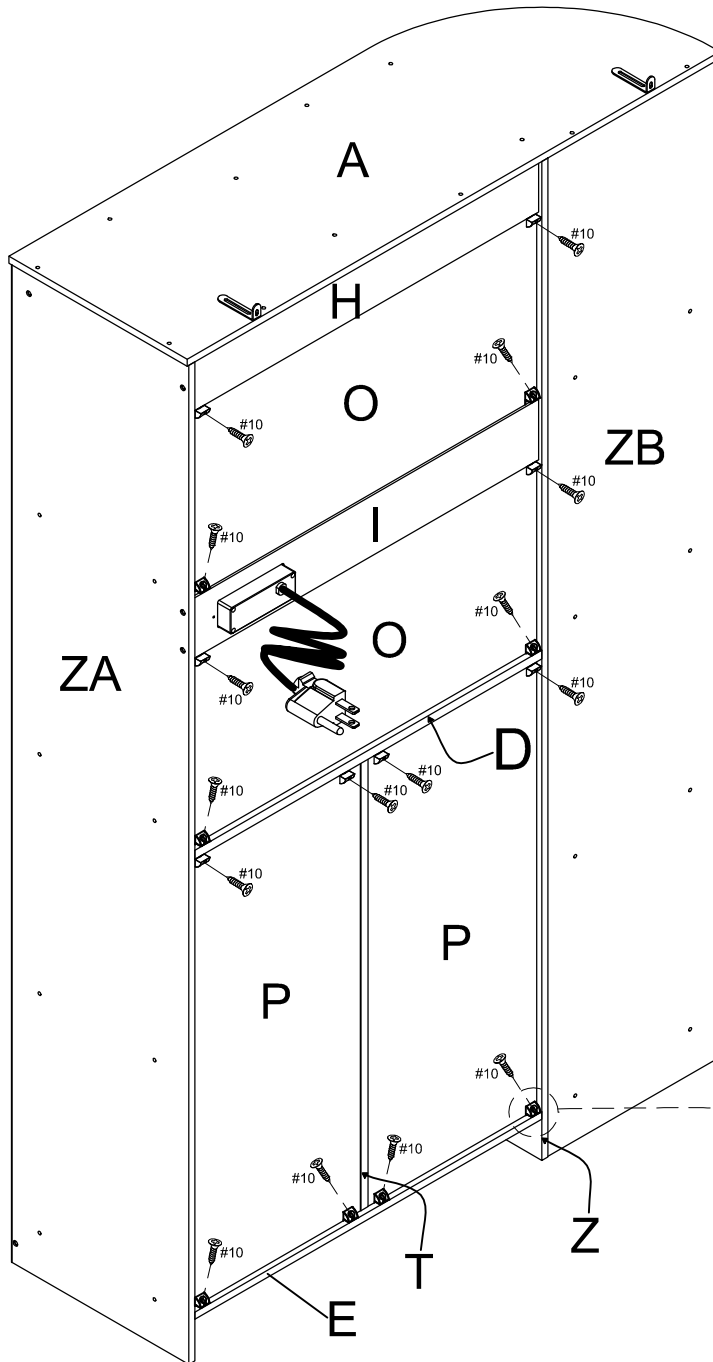
#8 x16



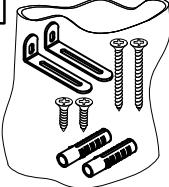
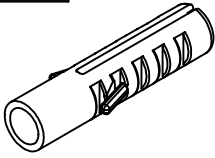

#10 x16



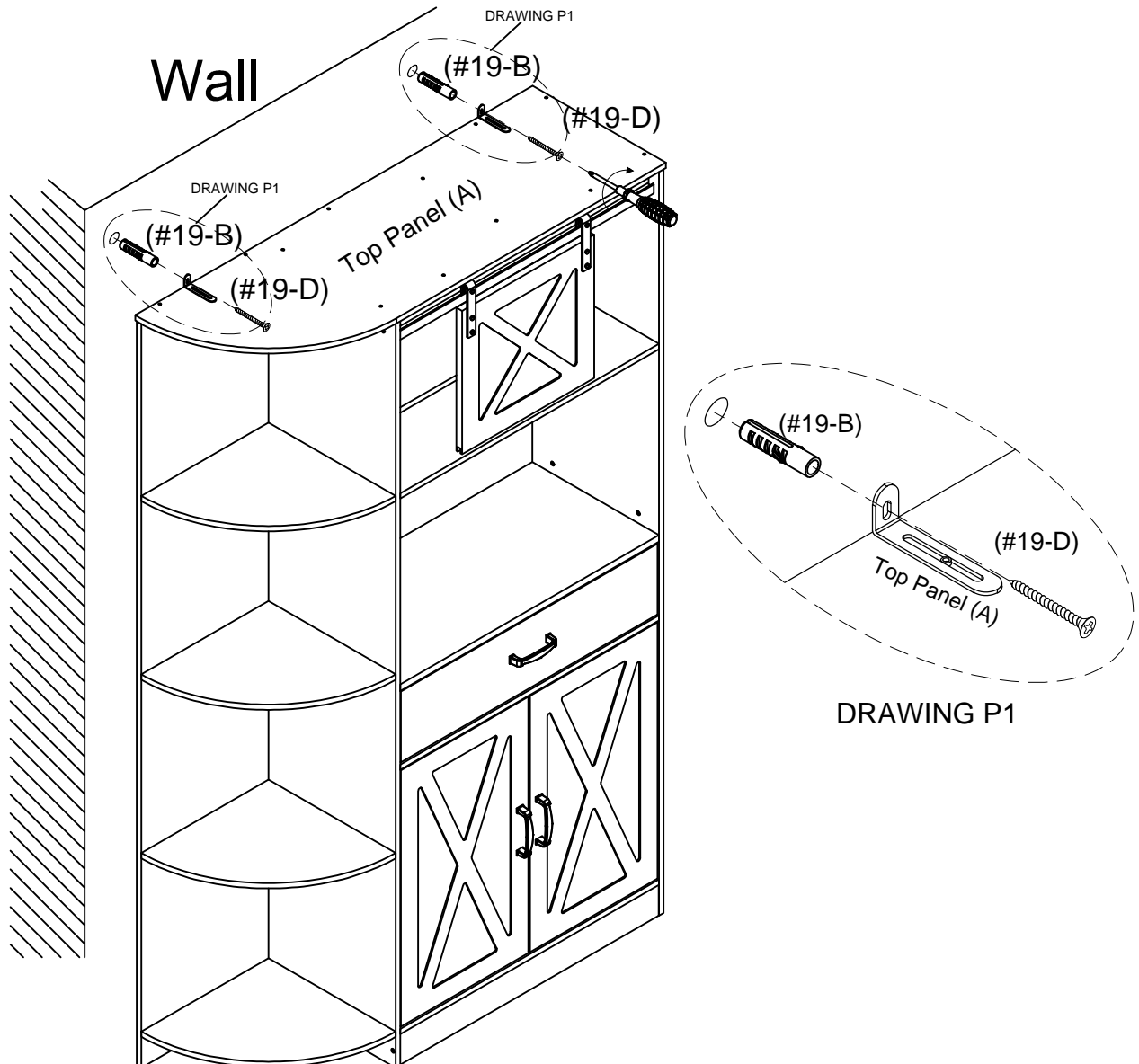
x1



Step 25.

<p>#19</p> 	<p>#19-B</p> 	<p>#19-D</p> 
<p>Safety Strap Kit</p> <p>1 SET</p>	<p>Wall Anchor</p> <p>2 PCS</p>	<p>Ø4*40mm Long Screw</p> <p>2 PCS</p>

Safety strap kit ( #19) must be installed to prevent tipping, damage and/or injury.



The assembly of the cabinet is complete.

## Warning:

Seller is responsible for the product-related issues occurred upon receipt, but will not be responsible for the personal injury, property damage or loss resulting from the incorrect assembly, improper use, inadequate maintenance or neglect of this product.

# Notes:

## **1. ASSEMBLY PREPARATION AND TIPS FOR ASSEMBLY**

- 1). Remove all packaging materials, staples and packing straps from the carton.
- 2). Refer to Parts List and Hardware List, and ensure parts and hardware are correct before assembly.  
Contact customer service for missing parts.
- 3). Place all wooden parts on a clean, flat and soft surface (e.g. carpet or rug) to prevent scratch and damage to parts.
- 4). Allow ample room for assembly and assemble the product near where the product will be placed.
- 5). During assembly, do not over-tighten any fittings as this may cause damage.
- 6). Always place the product on a flat, level surface.

## **2. CARE AND MAINTENANCE**

- 1). KEEP ALL HARDWARE PARTS OUT OF REACH OF CHILDREN.
- 2). Wipe clean with a soft, dry cloth; avoid the use of harsh chemicals or household cleaners as they may damage the exterior finish of the furniture.
- 3). Hardware may loosen over time. Periodically, check that all connections are tight; re-tighten as necessary.

## **3. TIPS TO PROTECT & CARE FOR YOUR FURNITURE**

- 1). Avoid placing your furniture in direct sunlight, as sunlight causes fading.
- 2). Use a protective pad when writing on the furniture surface.
- 3). Use cutting boards and trivets for food preparation in order to avoid damaging the top for the unit.