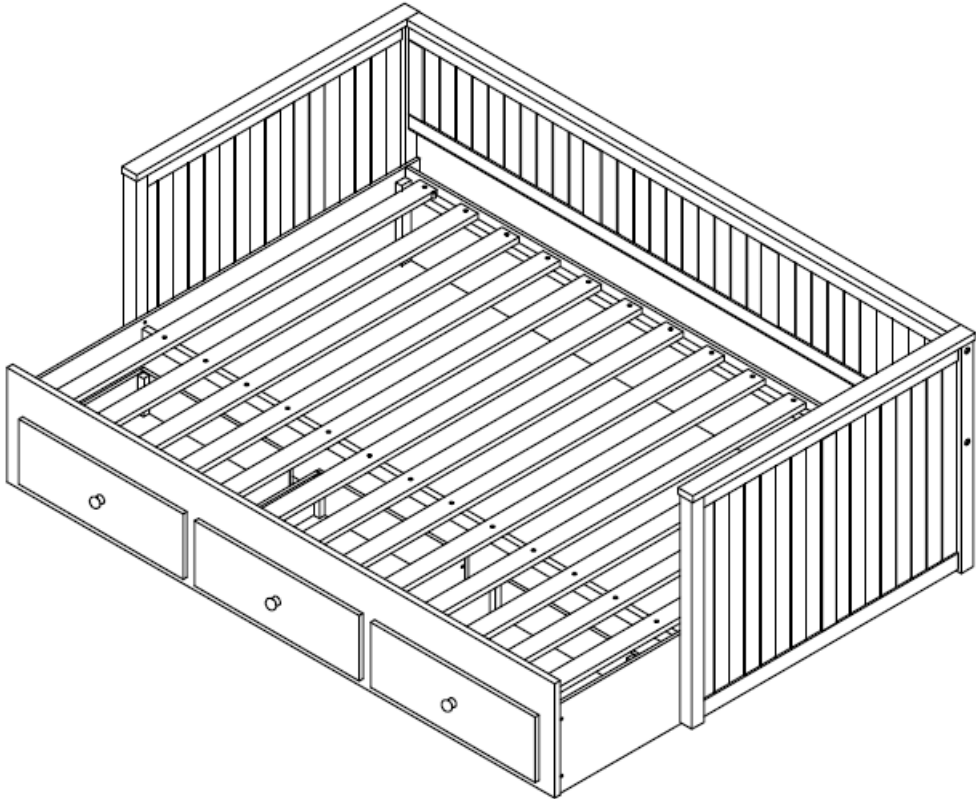


# Assembly Instructions



## ASSEMBLY RATING

The Assembly Rating is a 5-point system that shows the degree of effort needed in assembling a specific product (with 1 being easy and 5 being difficult). For some products, two persons are recommended.

EASY  DIFFICULT

## Tools Required for Assembly:

Allen Wrench



(Included)

Phillips Screwdriver



(Not Included)

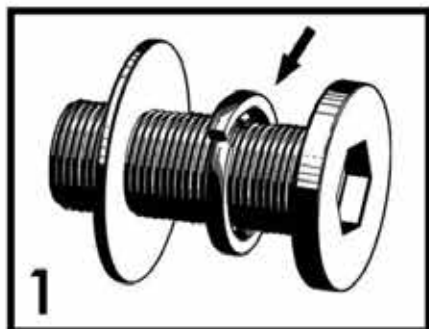


2 PERSONS RECOMMENDED

# ASSEMBLY & CARE ADVICE

FOR YOUR FURNITURE TO LAST, CORRECT ASSEMBLY AND PROPER MAINTENANCE ARE NECESSARY. PLEASE FOLLOW THE INFORMATION PROVIDED BELOW TO FULLY ENJOY YOUR FURNITURE.

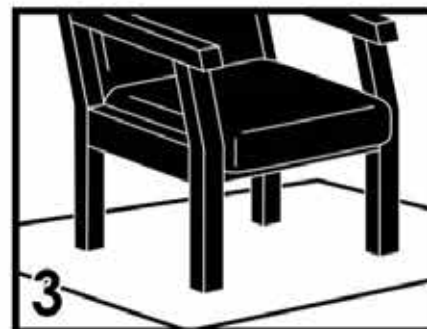
## BASIC ASSEMBLY TECHNIQUES



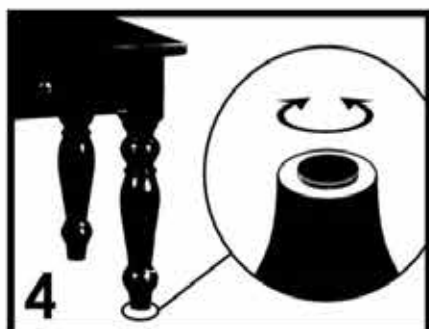
When lock or spring washer is used in an assembly, please make sure the lock or spring washer is placed between the larger flat washer and the head of the screw or bolt.



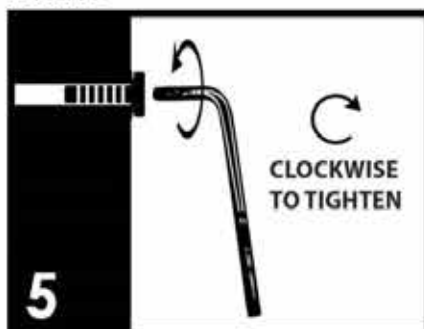
Position each part correctly and insert screws or bolts into their respective holes by hand tighten or using the proper hand tool. Only tighten when step is completed or when instructed to do so.



Use cardboard or carpet area when assembling furniture to prevent scratches. Make sure the furniture rests on a flat and level surface with each leg evenly touching the floor.



Some furniture comes with height adjustment knobs underneath each leg. To lower or to raise each leg, you need to turn clockwise or counterclockwise, respectively.



Make sure all parts are properly aligned, then use the appropriate hand tool to completely tighten the bolts or screws. Do not use power tools and do not overtighten.



Save the instructions and store the Allen wrench or any supplied tool for later maintenance. After two weeks, check and tighten any loose hardware and repeat again every six months thereafter.

IT IS THE USER'S RESPONSIBILITY TO MAINTAIN THE FURNITURE. THE HARDWARE MAY LOOSEN OVER TIME AND MAY CAUSE THE FURNITURE TO BE WOBBLY AND UNABLE TO SUPPORT ITS INTENDED WEIGHT CAPACITY. THIS MAY LEAD TO COLLAPSE AND MAY CAUSE SERIOUS INJURY.



FAILURE TO FOLLOW THE GUIDELINES ABOVE MAY RESULT IN INJURY AND/OR PROPERTY DAMAGE.



Before you begin, please read Page 2 for “Assembly and Care Advice”.

And remember, do not tighten until each step is completed or instructed.

MD

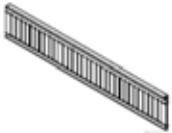
### Parts List



#1 x 1 pc  
Left Headboard



#2 x 1 pc  
Right Headboard



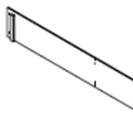
#3 x 1 pc  
Guardrail



#4 x 1 pc  
Front Trundle Panel



#5 x 1 pc  
Rail



#6 x 2 pcs  
End Trundle Panel



#7 x 1 pc  
Top Trundle Support



#8 x 1 pc  
Bottom Trun. Support



#9 x 3 pcs  
Trundle Guide



#10 x 3 pcs  
Drawer Guide



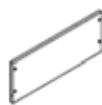
#11 x 3 pcs  
Front Drawer Panel



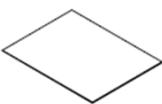
#12 x 3 pcs  
Rear Drawer Panel



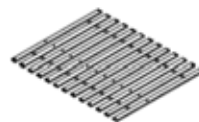
#13 x 3 pcs  
Left Drawer Panel



#14 x 3 pcs  
Right Drawer Panel



#15 x 3 pcs  
Bottom Drawer Panel

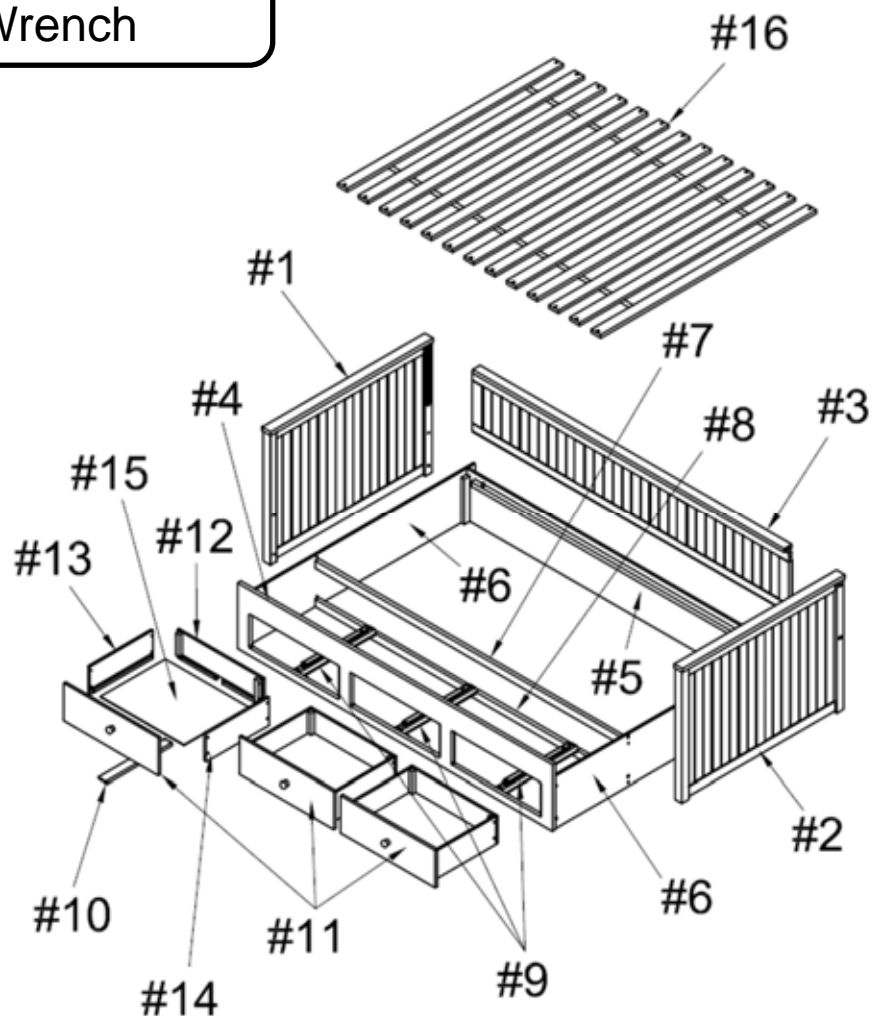
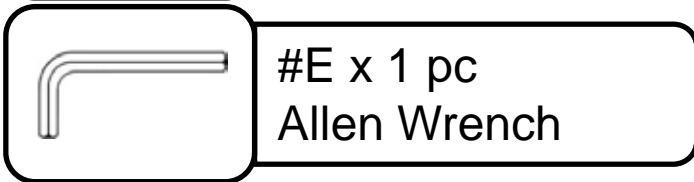
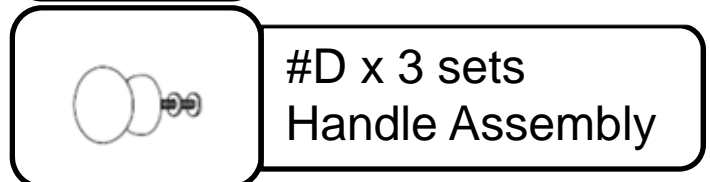
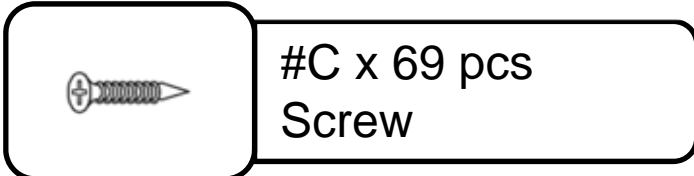
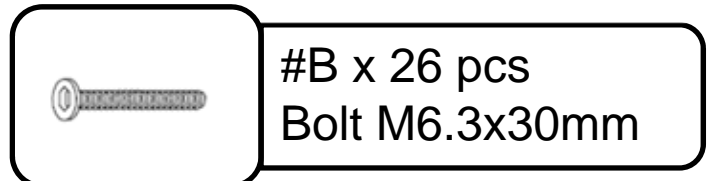
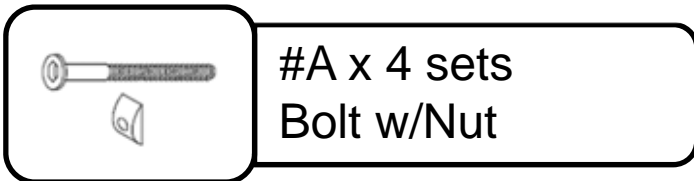


#16 x 1 set  
Slat Kit (13 pcs)



Due to the size and/or weight of this product, it is highly recommended that the assembly should be done near the area of its intended location. Make sure you have enough space to move around during the assembly. ALWAYS have at least two people to help with transporting and assembling the product to avoid any potential injury and/or damage.

### Hardware List





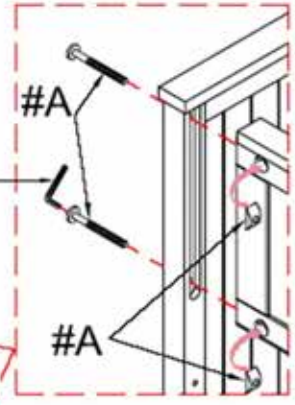
#1

#A x 4 sets

#1

#3

#2



Turn right (clockwise) to tighten



#2

#B x 8 pcs

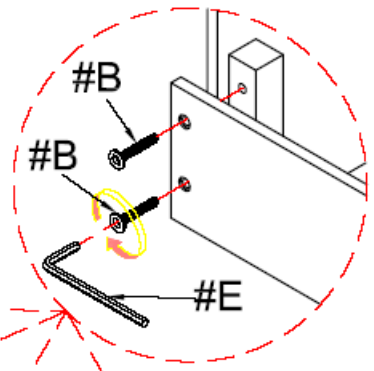
#6

#5

#4

#6

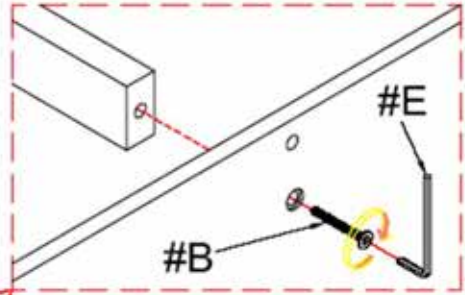
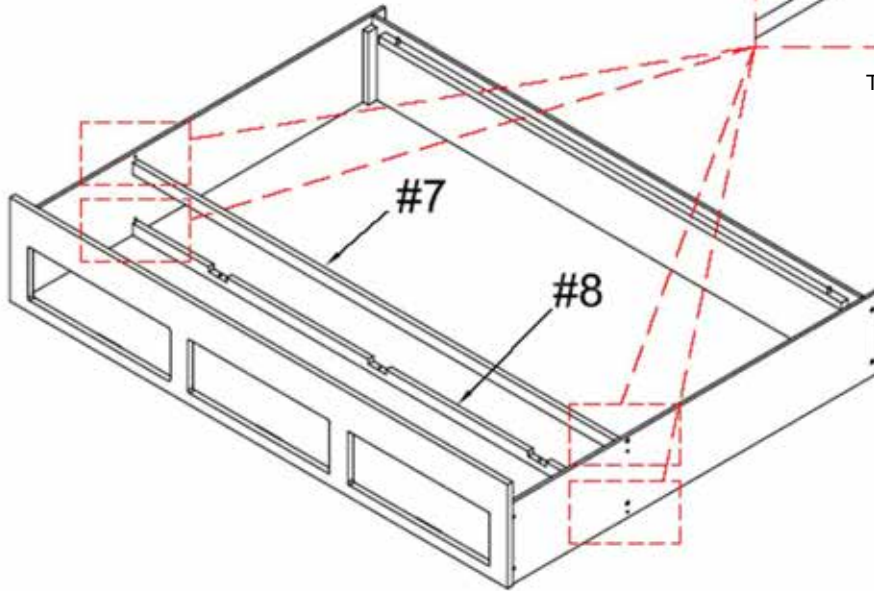
Turn right (clockwise) to tighten





#3

#B x 4 pcs

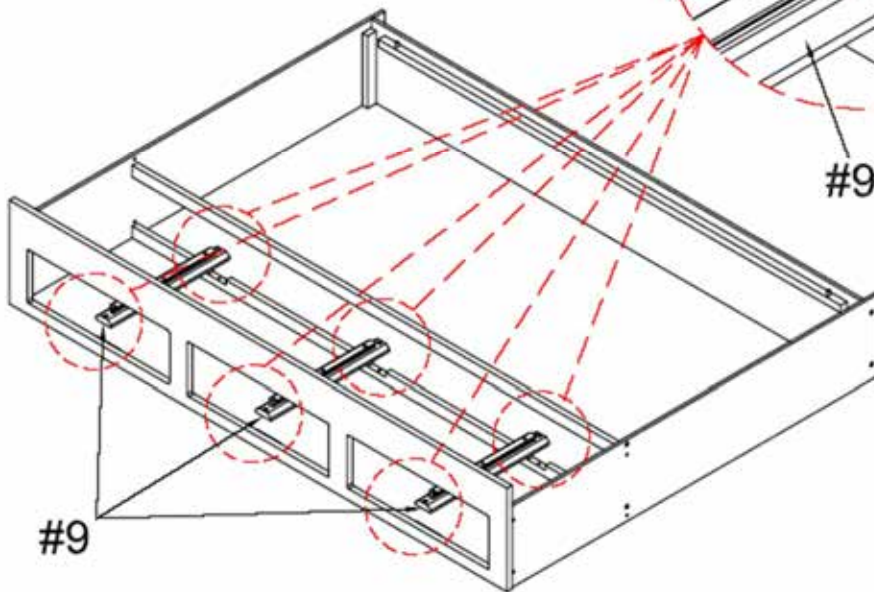


Turn right (clockwise) to tighten

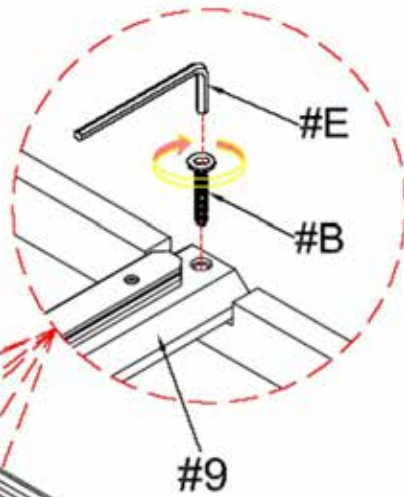


#4

#B x 6 pcs



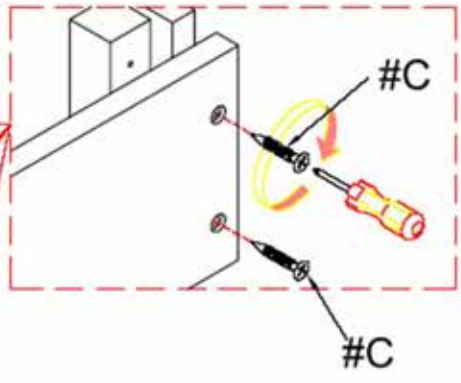
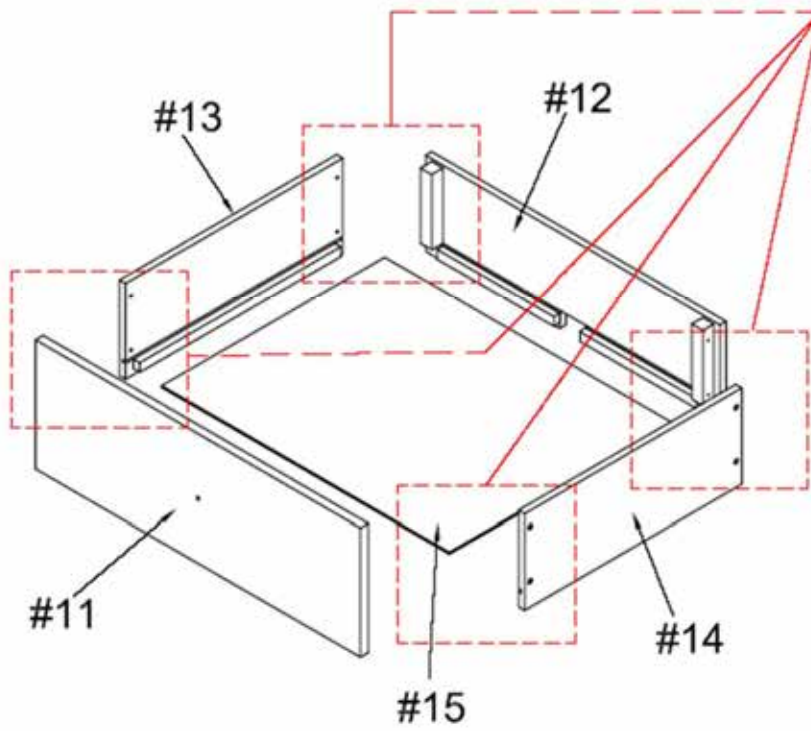
Turn right (clockwise) to tighten





#5

#C x 24 pcs



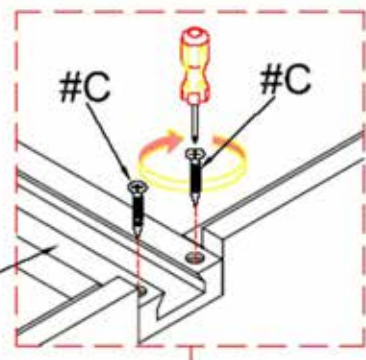
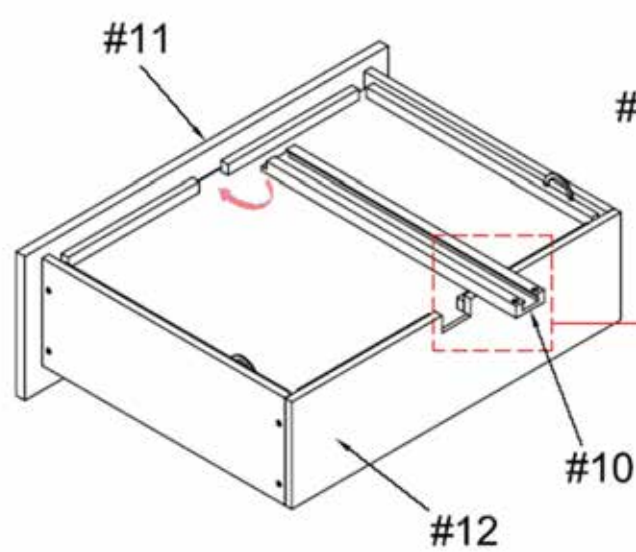
Turn right (clockwise) to tighten

X3



#6

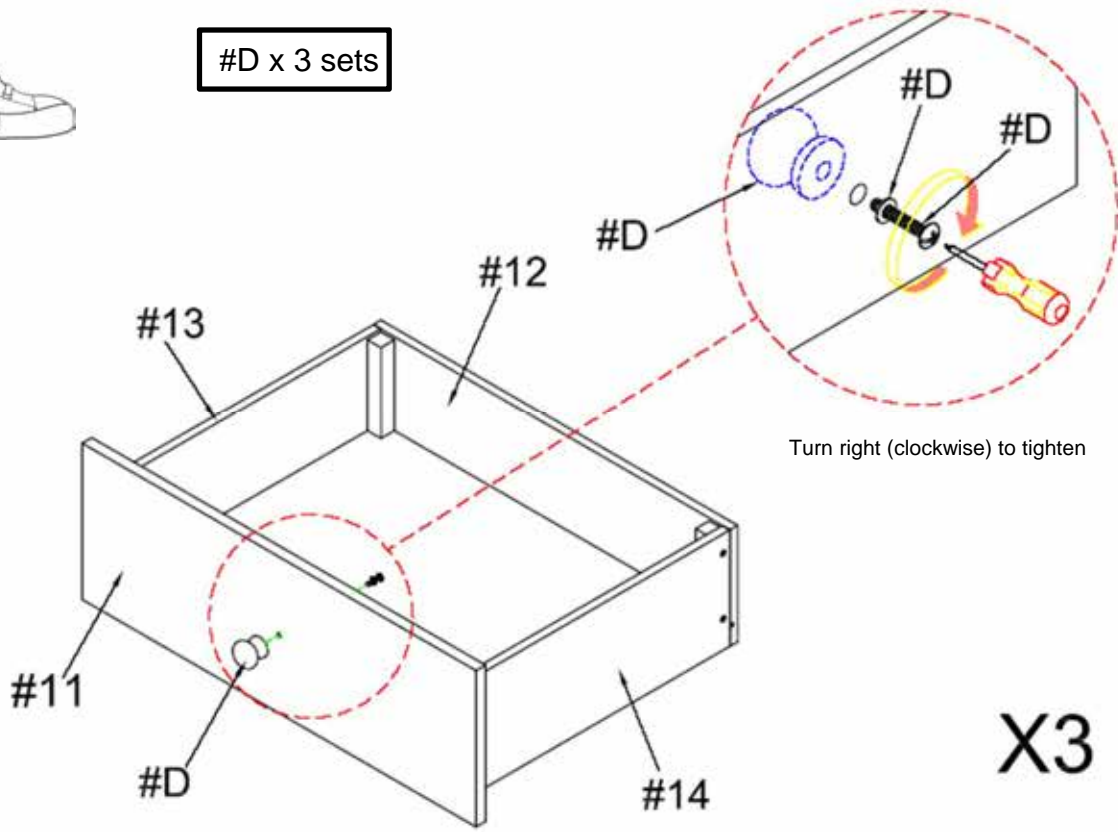
#C x 6 pcs



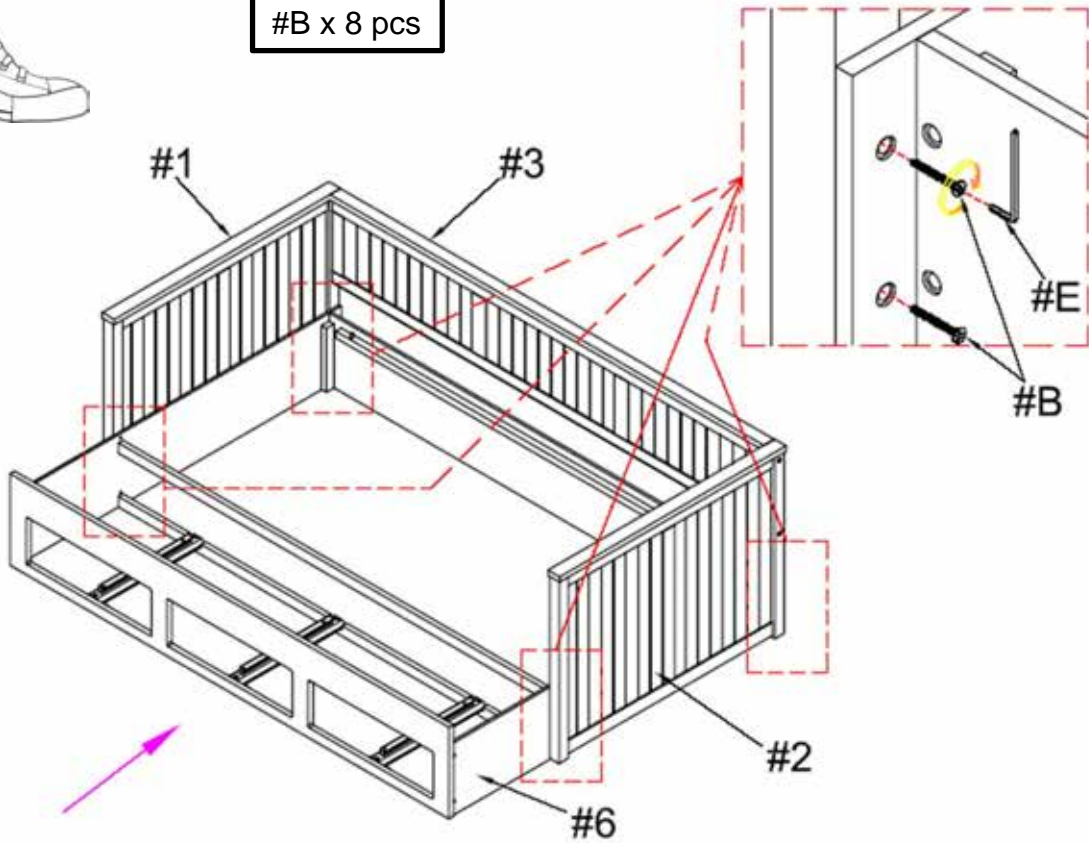
X3



#D x 3 sets



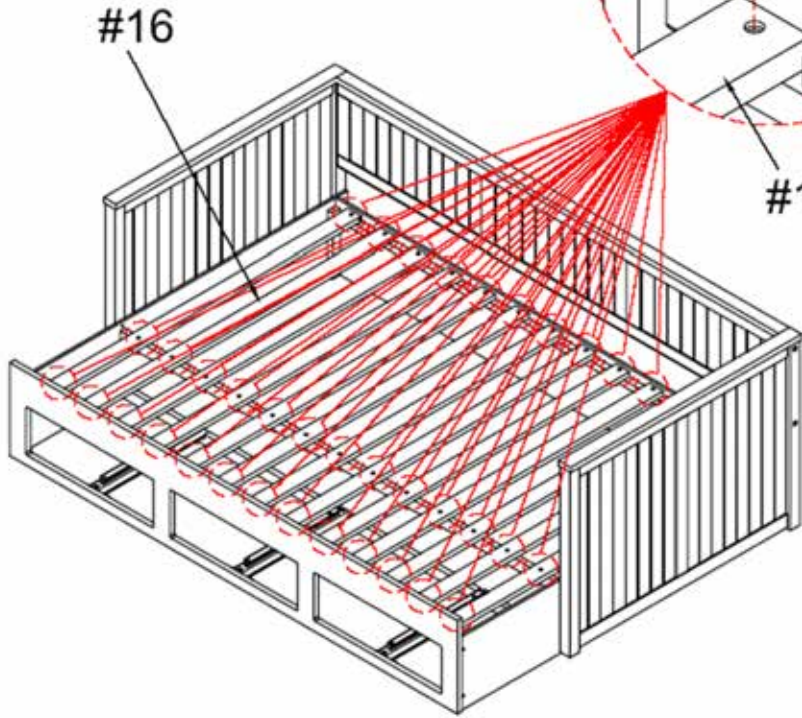
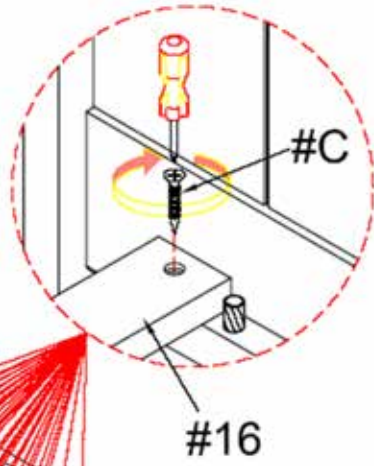
#B x 8 pcs



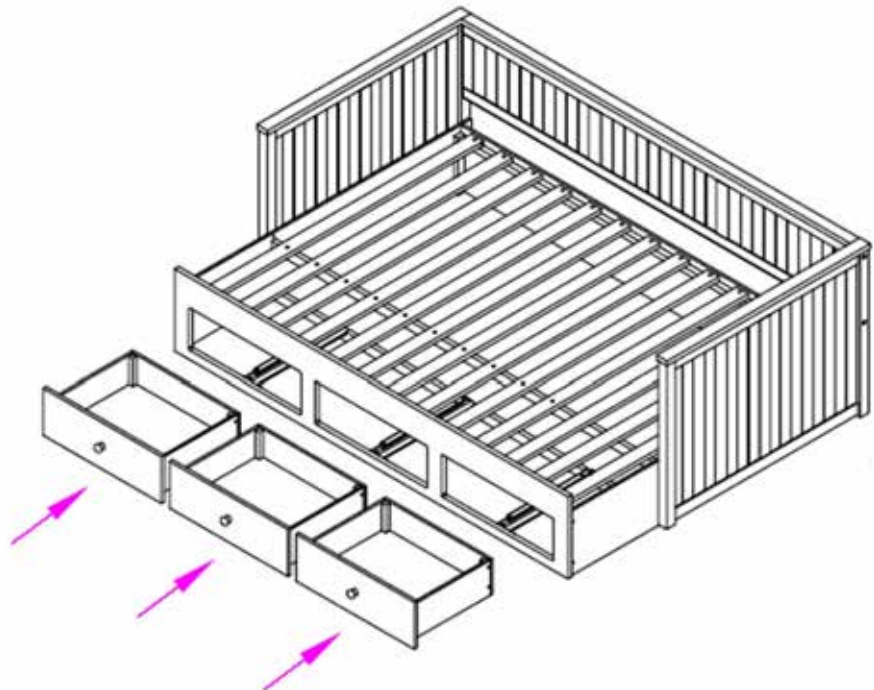


#C x 39 pcs

Turn right (clockwise) to tighten



**Safety is ALWAYS the main priority. For extra safety measure and before using the bed, please take the time to inspect the assembly again and make sure that ALL bolts and screws are FULLY tightened.**



**ASSEMBLY IS COMPLETED**