

ASSEMBLY INSTRUCTION

NOTES:

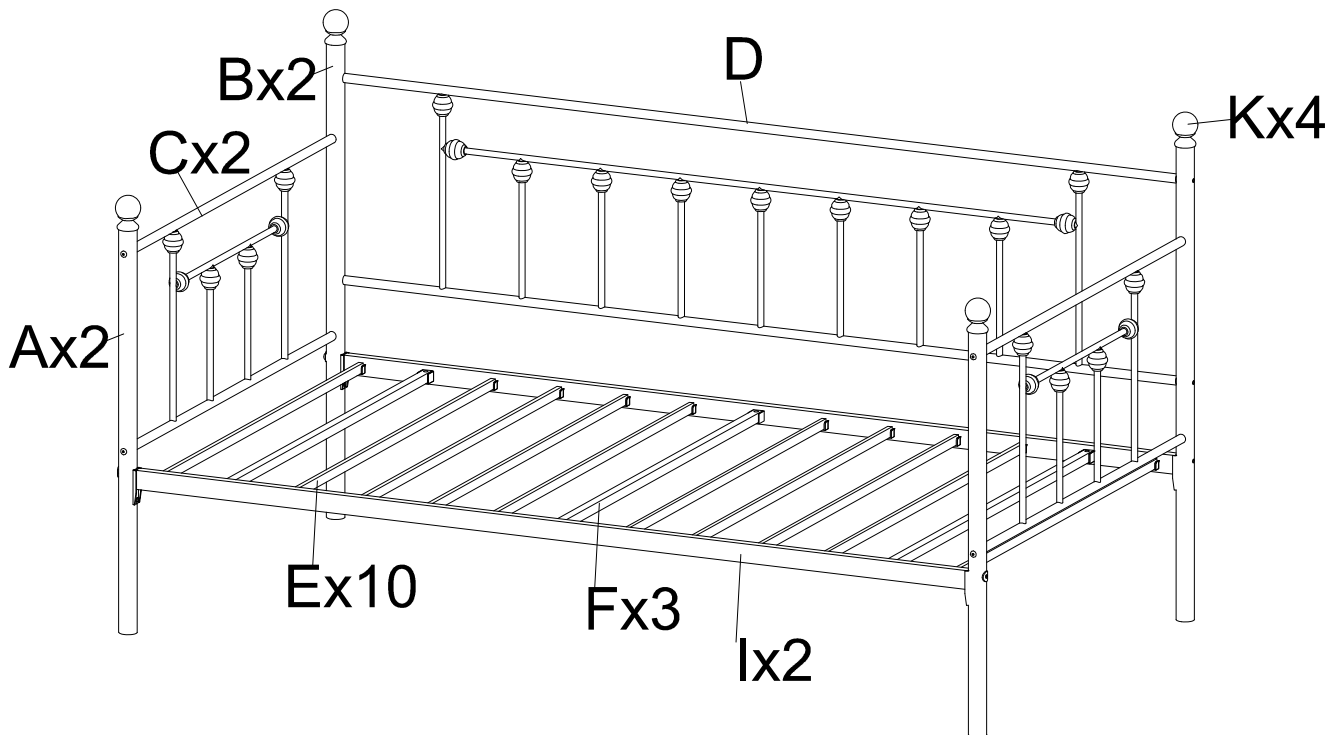
- Do not skip any step.
- Do not fully tight screws until all the bed parts are assembled.

WARNING:

- WARNIND FOR YOUNG CHILDREN-This product contains small components,please ensure that they are kept away from small children while assembling.

Warranty Information:

- We warranty this product to be free from defects in materials.This warranty covers one year from the date of original purchase.If u have any query about bed,pls contact our after -sale support email:



A

2PCS

E

10PCS

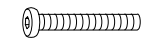
aa



M8x55

4

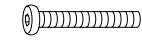
bb



M6x55

12

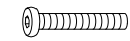
cc



M6x35

4

dd

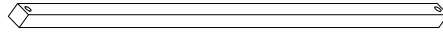


M6x30

6

B

2PCS

F

3PCS

ee



20

ff

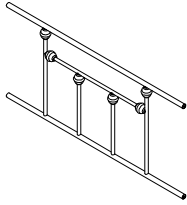


4

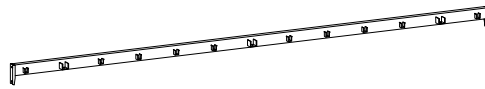
gg



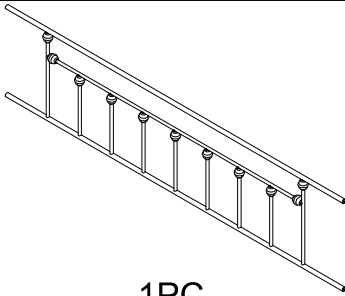
2

C

2PCS

I

2PCS

D

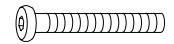
1PC

K

4PCS

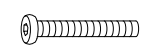
SPARE

aa



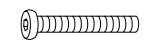
1

bb



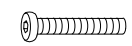
1

cc



1

dd



1

ee



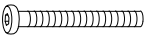


1

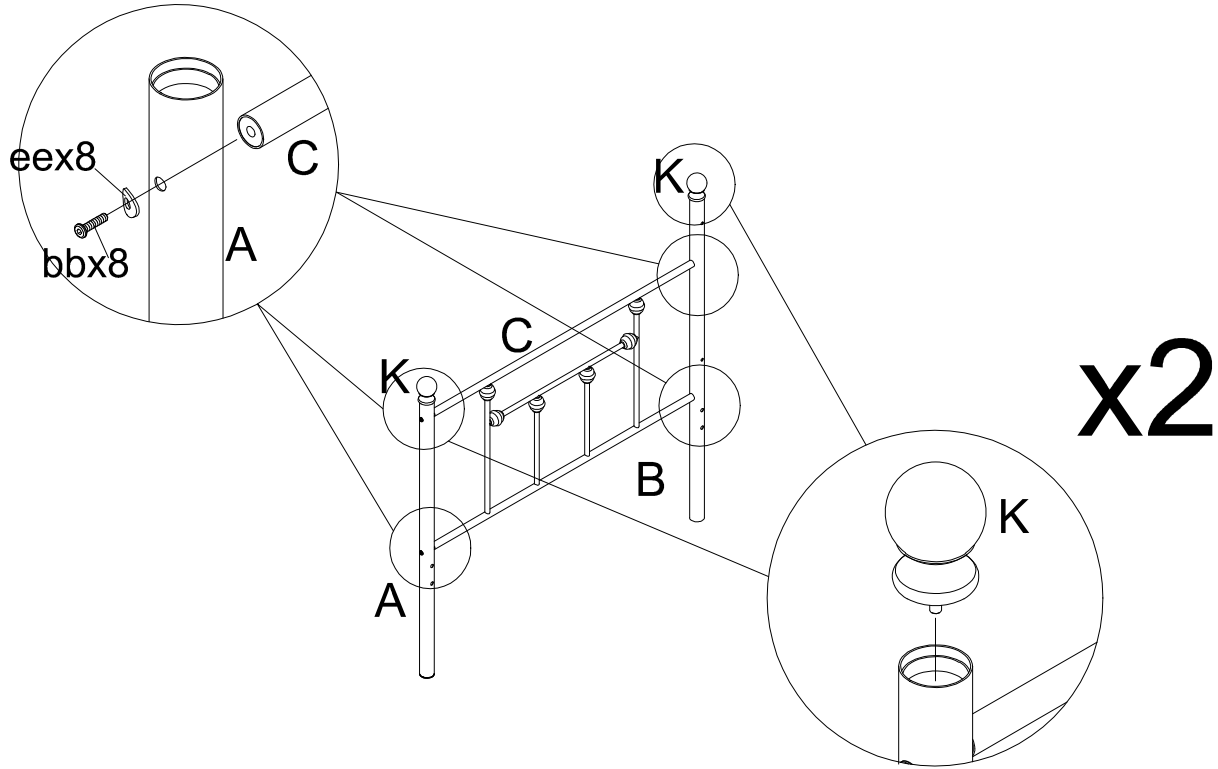
ff



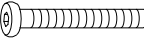
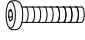

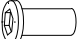

1

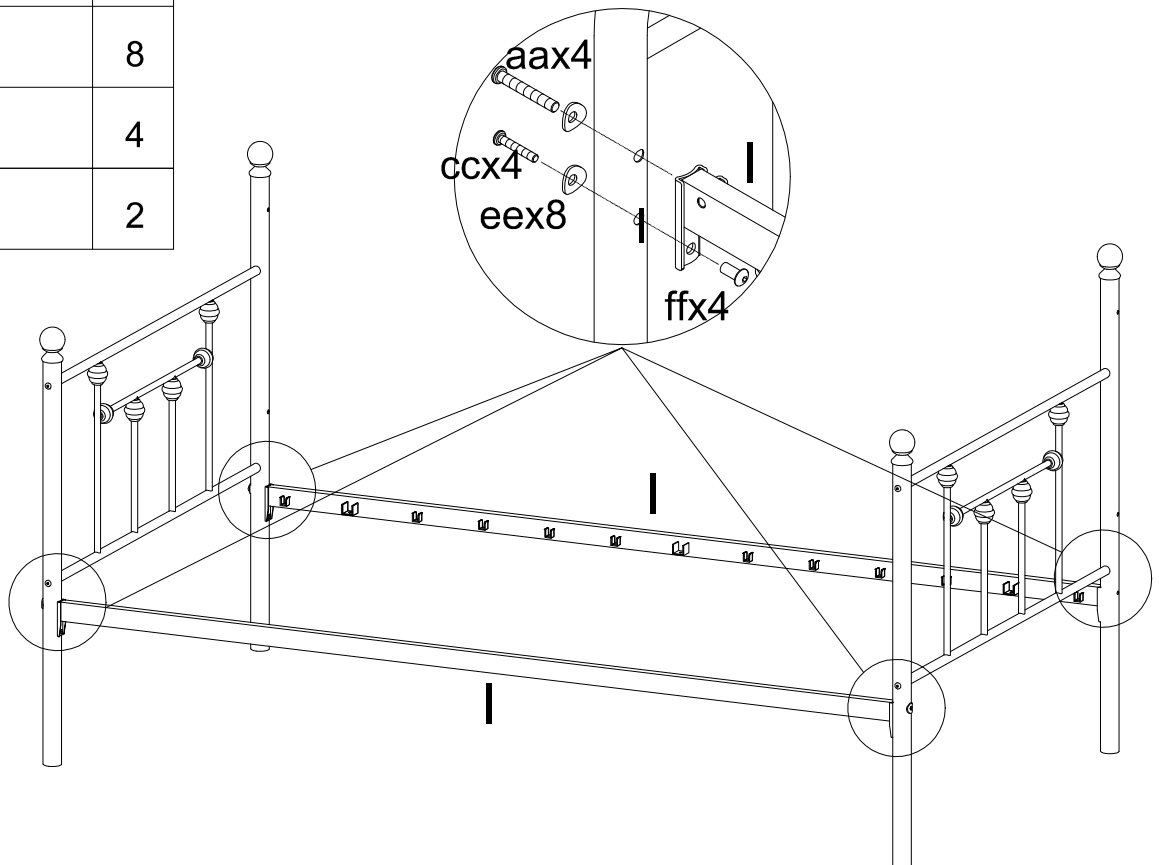
Step 1

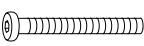


bb		M6x55	8
gg			1
ee			8

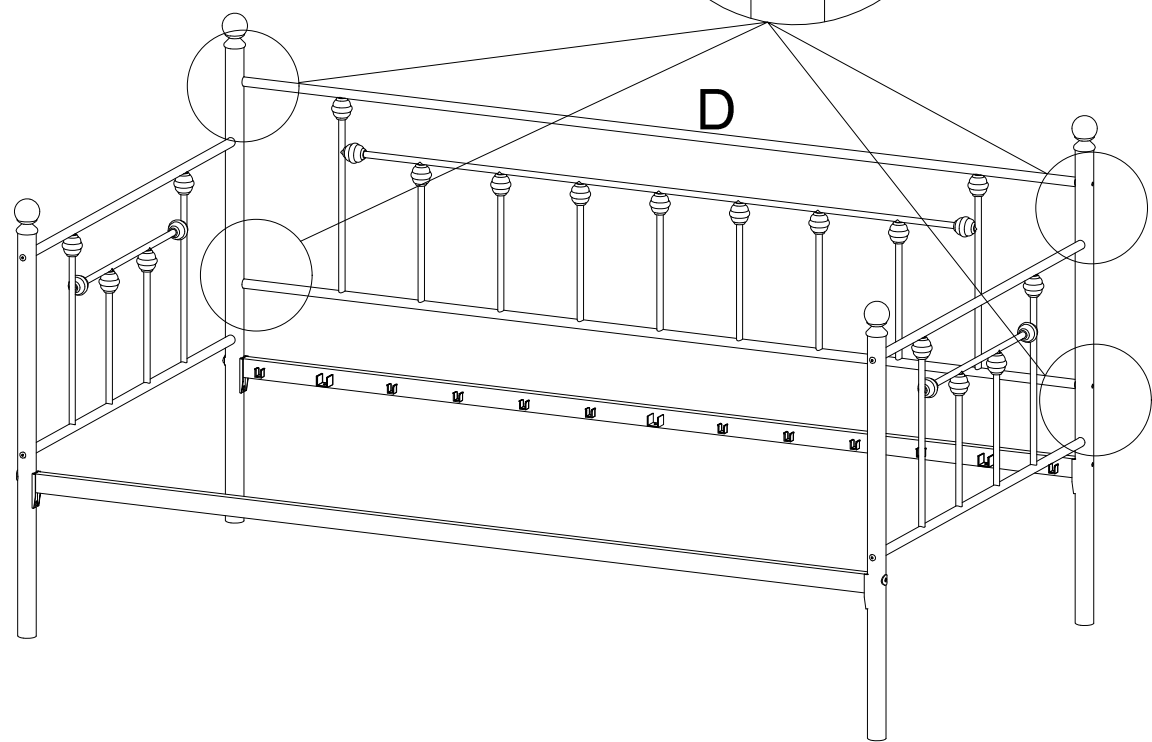
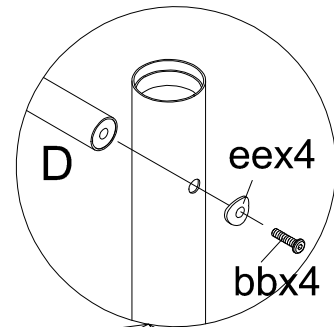


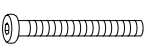

Step 2

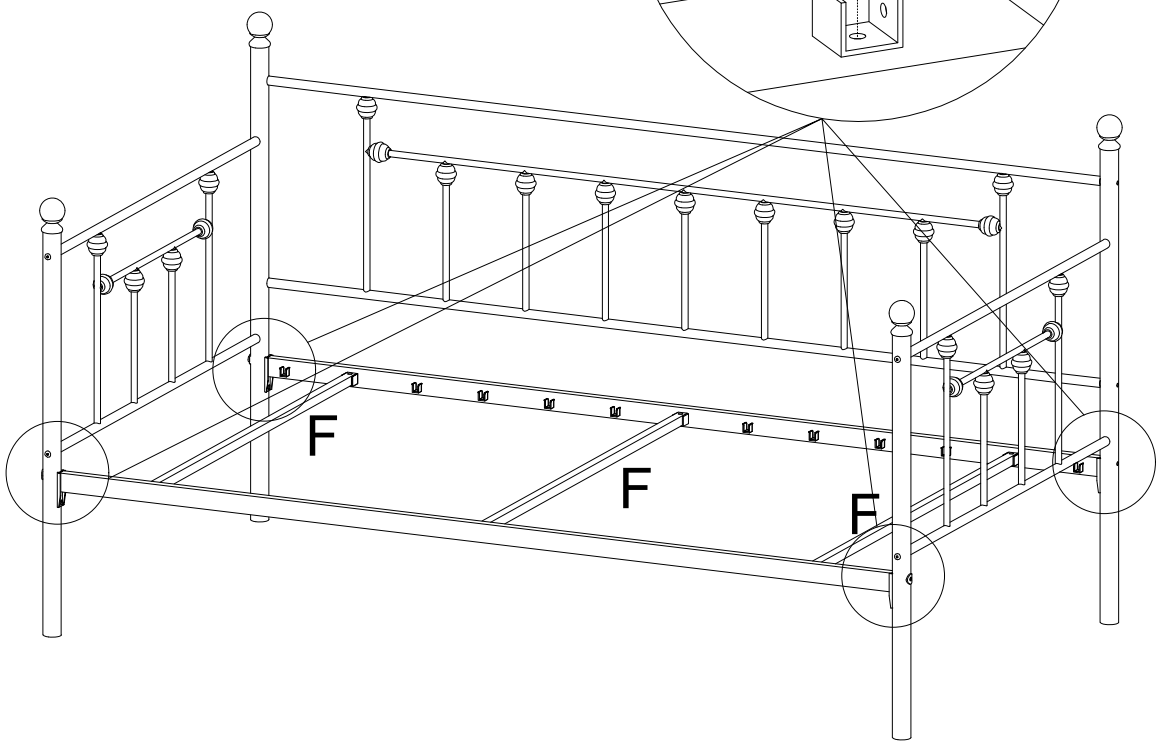
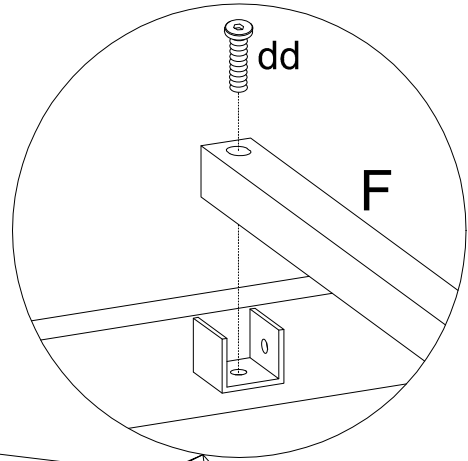
aa		M8x55	4
cc		M6x35	4
ee			8
ff			4
gg			2

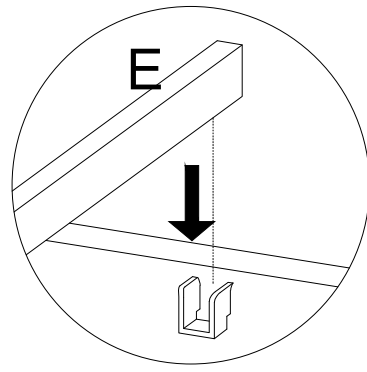


bb		M6x55	4
gg			1
ee			4



dd		M6x30	6
gg			1





x 10

