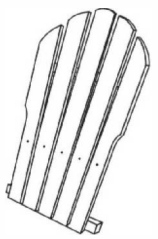
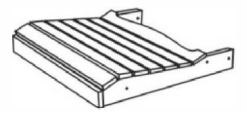


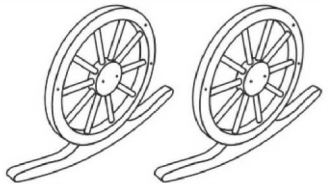








Assembly Instructions

EN

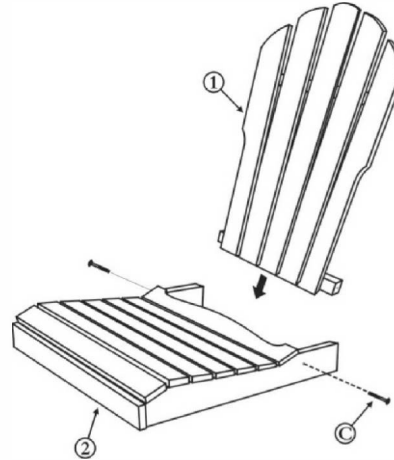
1 - Backrest 1pc 	2 - Seat 1pc 
	3 - Back Support 1pc 
5 - Wheel Covers 2pcs 	4 - Wheel Rockers 2pcs 
A - Bolt-Nut-Washer Set  φ8x80mm 4PCS	B - Large Bolt  φ8x80mm 2PCS
C - Small Bolt  φ8x50mm 2PCS	D - Large Screw  φ3.5x30mm 9PCS
E - Corner Bracket  2 PCS	F - Small Screw  φ3.5x20mm 4PCS

ADDITIONAL DETAILS:

- Do not throw away packaging until assembly is complete.
- Keep parts and packaging away from children and pets.
- For ease of assembly, two people are recommended.
- To allow for slight adjustments, do not over-tighten screws or bolts until the chair is fully assembled on a level surface.

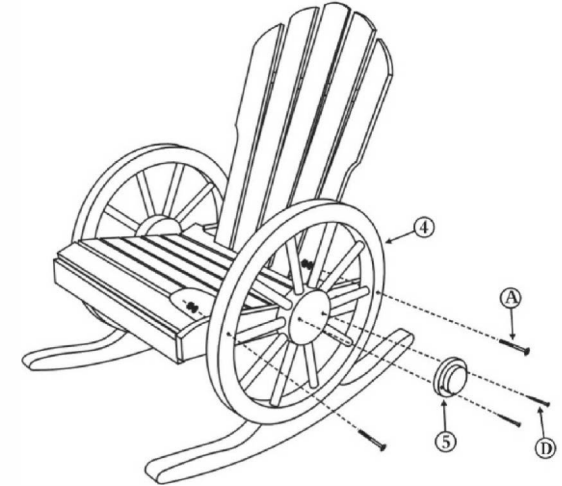
STEP 1

Attach the Back Rest (1) to Seat (2) using two Small Bolts (C).



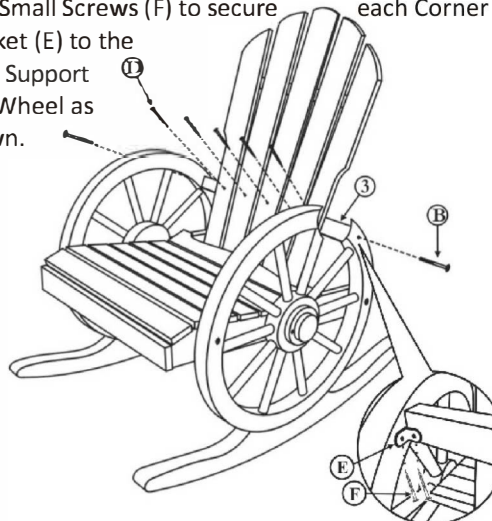
STEP 2

Attach Wheel Rockers (4) to sides of Seat (2) using four Bolt-Nut-Washer Sets (A), two each side. Attach Wheel Covers (5) to the center of the Wheel Rockers (4) and secure using four Large Screws (D), two each side.



STEP 3

Attach Back Support (3) to the back of Backrest (1) with five Large Screws (D). Place Large Bolts (B) through each Wheel and into the ends of the Back Support (3). Use four Small Screws (F) to secure each Corner Bracket (E) to the Back Support and Wheel as shown.



STEP 4

Securely tighten all screws and bolts. Assembly complete.

