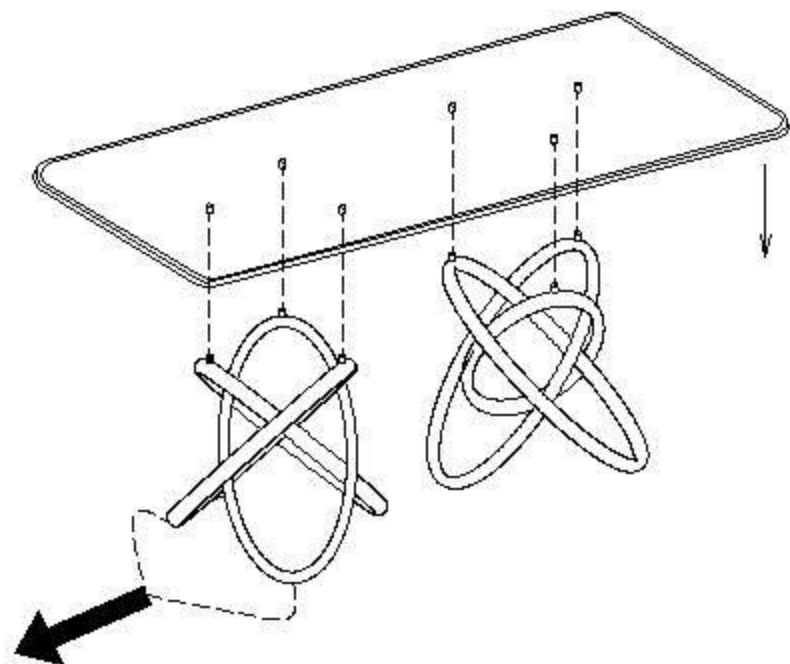
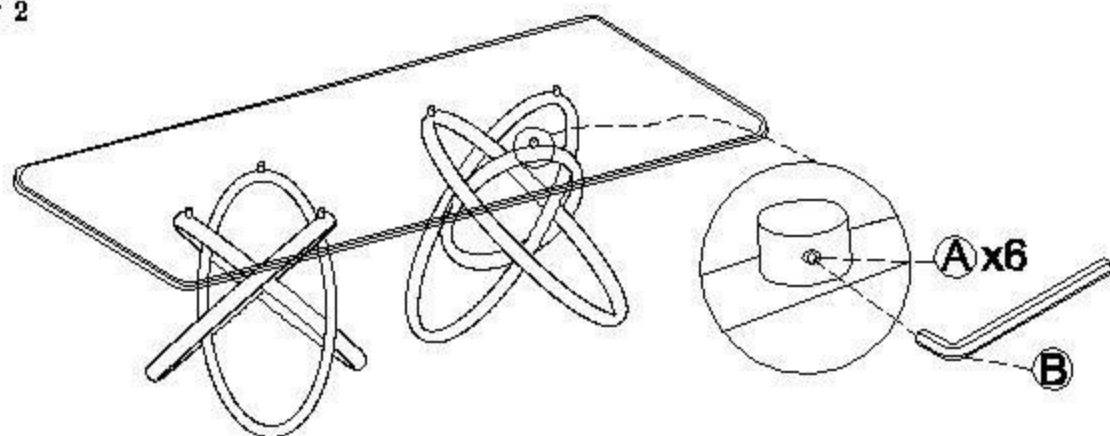
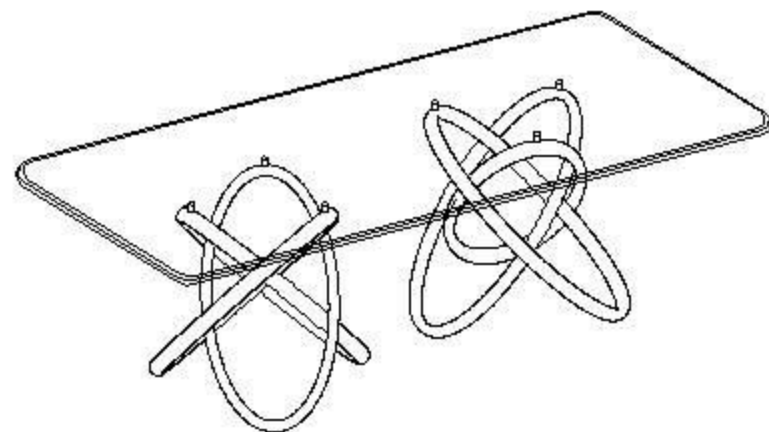




STEP 1**STEP 2****STEP 3****DINING TABLE PART LIST**

NO.	LEGEND	SPEC	AMOUNT
A		M5x10	6pcs
B		3mm	1pcs