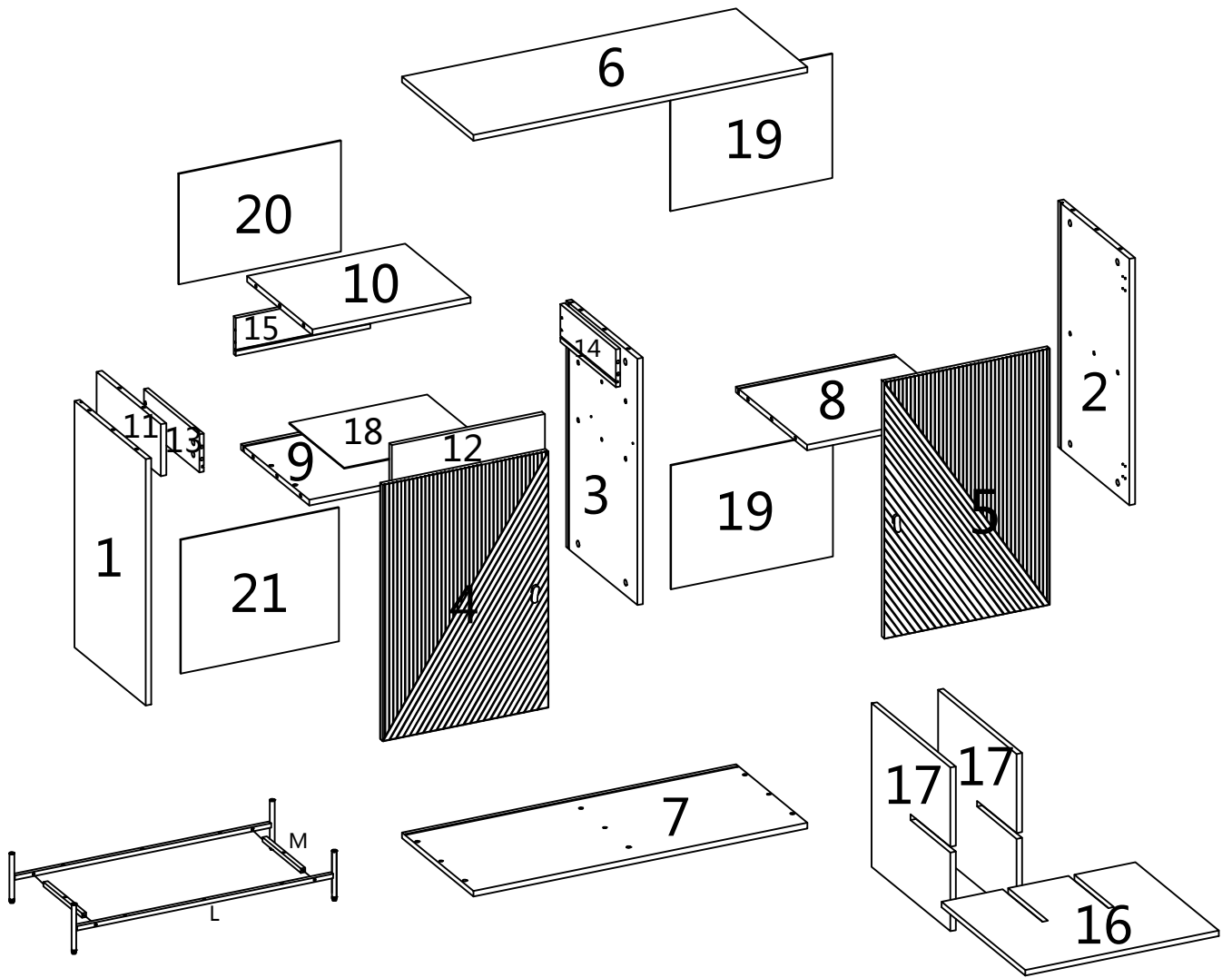
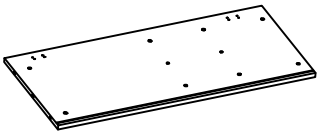
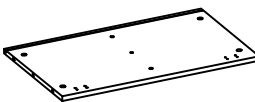
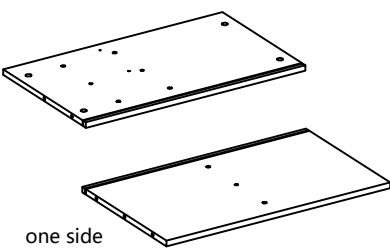
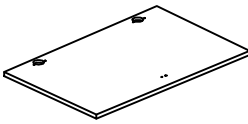
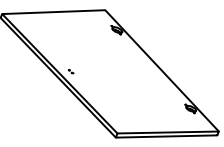
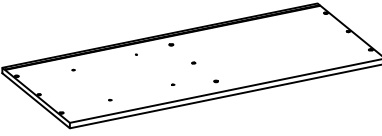
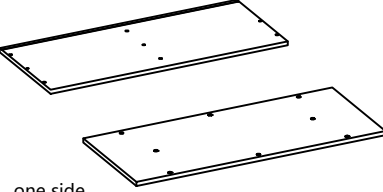
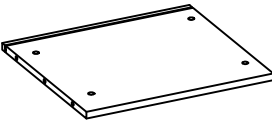
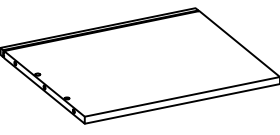
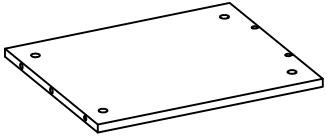
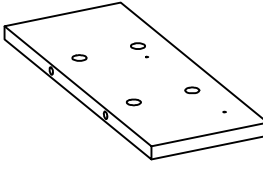
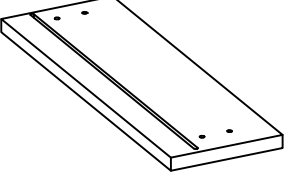
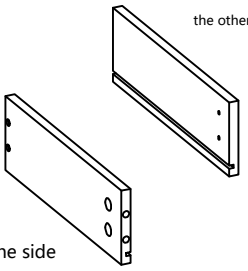
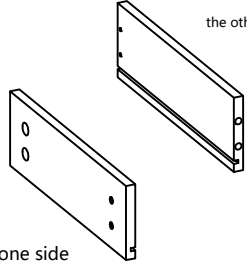

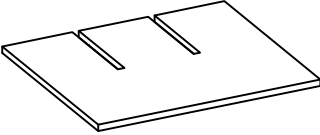
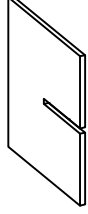
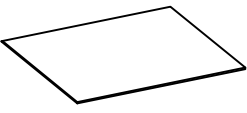
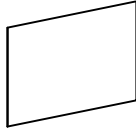
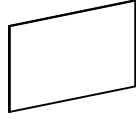
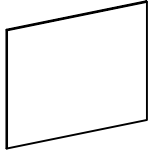


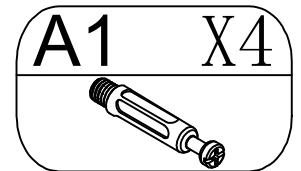
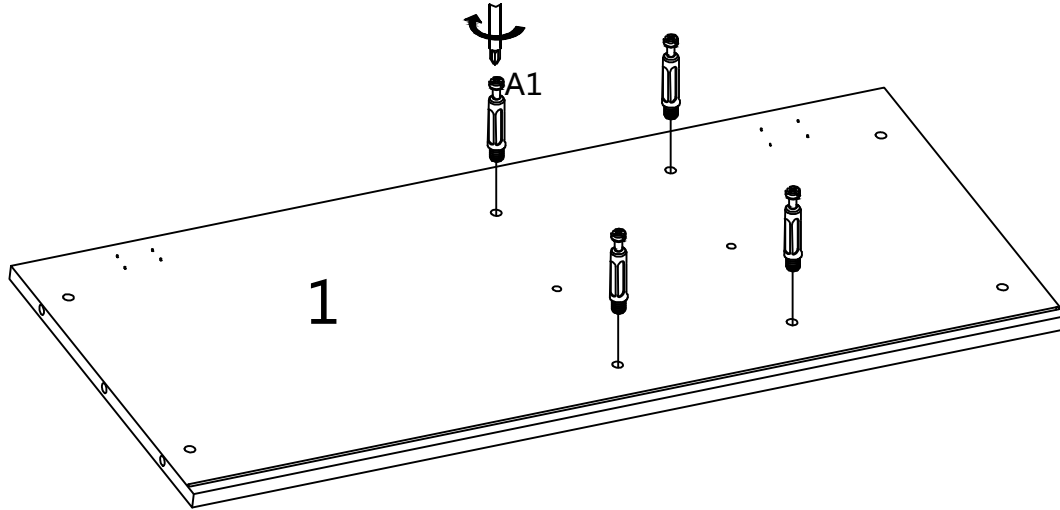
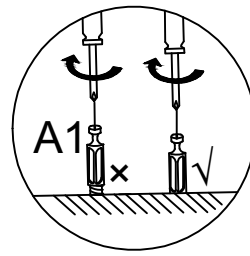
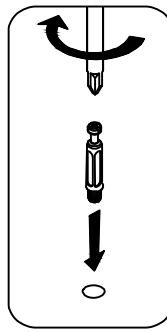
DS-SB014B



<p>A</p> <p>φ7*40mm</p> <p>A2</p> <p>φ15*9.5mm</p> <p>28PCS</p>	<p>B</p> <p>φ7*39mm</p> <p>B2</p> <p>φ15*9.5mm</p> <p>4PCS</p>	<p>C</p> <p>φ8*30mm</p> <p>12PCS</p>	<p>D</p> <p>φ3.5*12mm</p> <p>12PCS</p>	<p>E</p> <p>φ3.5*14mm</p> <p>40PCS</p>
<p>F</p> <p>φ3.5*30mm</p> <p>4PCS</p>	<p>G</p> <p>4PCS</p>	<p>H</p> <p>2PCS</p>	<p>I</p> <p>L=300mm</p> <p>1PCS</p>	<p>J</p> <p>M6*30mm</p> <p>8PCS</p>
<p>K</p> <p>M6*55mm</p> <p>4PCS</p>	<p>N</p> <p>4PCS</p>	<p>O</p> <p>16PCS</p>	<p>P</p> <p>P1 P2 P3 P4 P5</p> <p>2PCS</p>	<p>Q</p> <p>32PCS</p>
<p>R</p> <p>2PCS</p>		<p>S</p> <p>4PCS</p>		

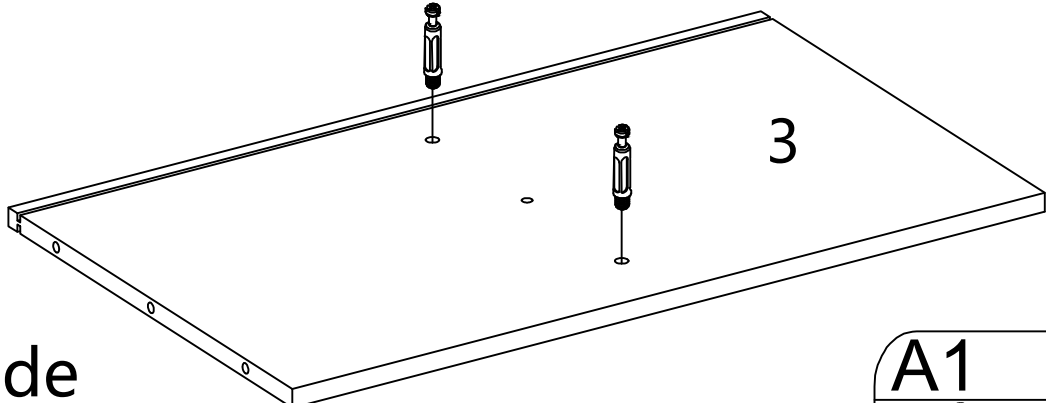
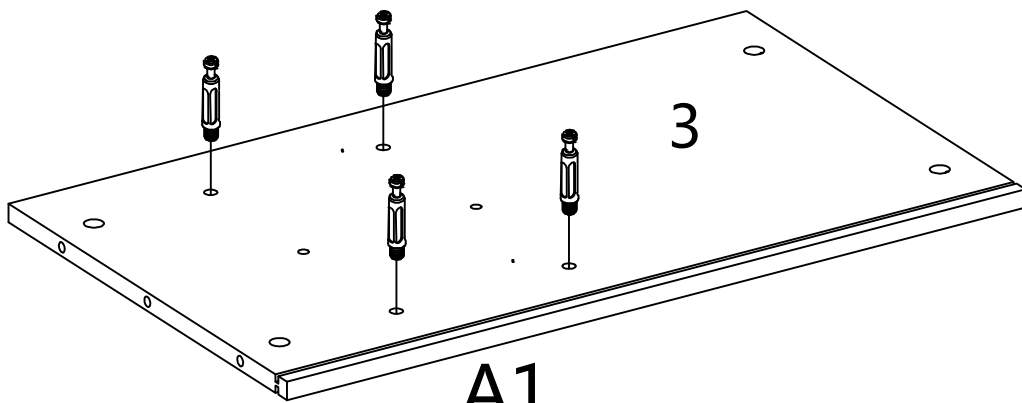
<p>1</p>  <p>650*384mm</p>	<p>2</p>  <p>650*384mm</p>	<p>3</p> <p>the other side</p>  <p>one side</p> <p>650*384mm</p>	<p>4</p>  <p>676*445.5mm</p>	
<p>5</p>  <p>676*445.5mm</p>	<p>6</p>  <p>900*385mm</p>	<p>7</p> <p>the other side</p>  <p>one side</p> <p>900*385mm</p>	<p>8</p>  <p>426.5*383mm</p>	
<p>9</p>  <p>426.5*368.5mm</p>	<p>10</p>  <p>426.5*352mm</p>	<p>11</p>  <p>137*348mm</p>	<p>12</p>  <p>412*172mm</p>	
<p>13</p> <p>the other side</p>  <p>one side</p> <p>300*100mm</p>	<p>14</p> <p>the other side</p>  <p>one side</p> <p>300*100mm</p>	<p>15</p>  <p>362*100mm</p>	<p>16</p>  <p>426*346.5mm</p>	
<p>17</p> <p>X2</p>  <p>352*346.5mm</p>	<p>18</p>  <p>372*297mm</p>	<p>19</p> <p>X2</p>  <p>435.5*325.5mm</p>	<p>20</p>  <p>435.5*290mm</p>	<p>21</p>  <p>435.5*361mm</p>

STEP 1

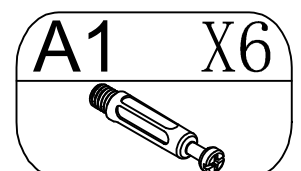


STEP 2

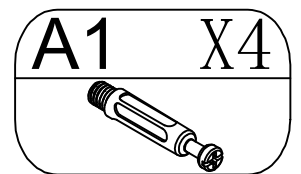
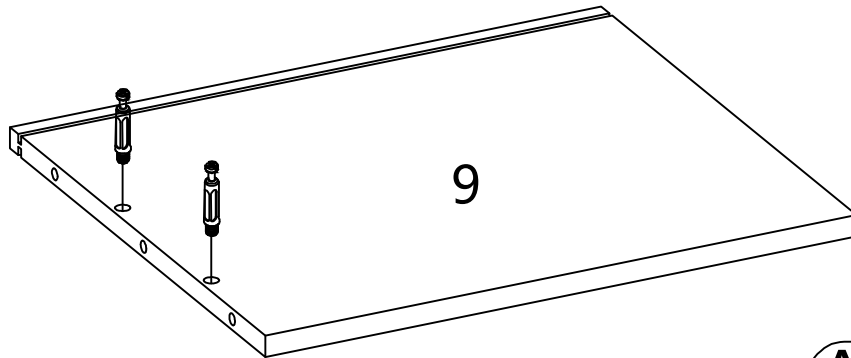
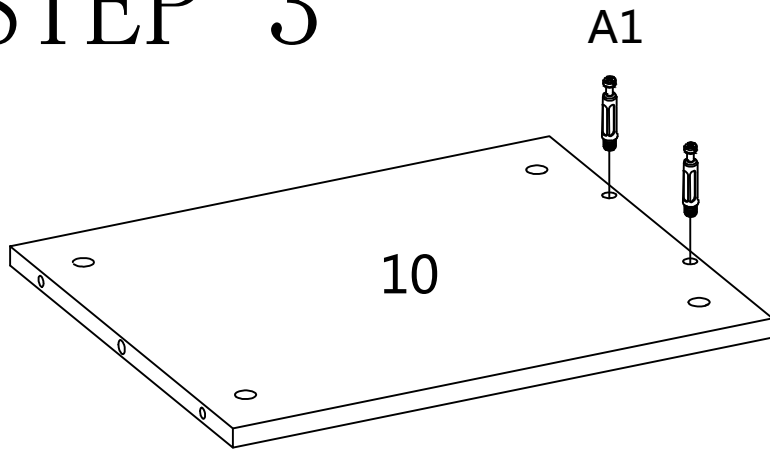
the other side



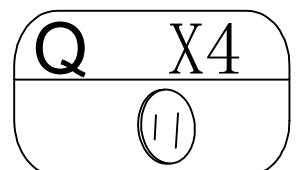
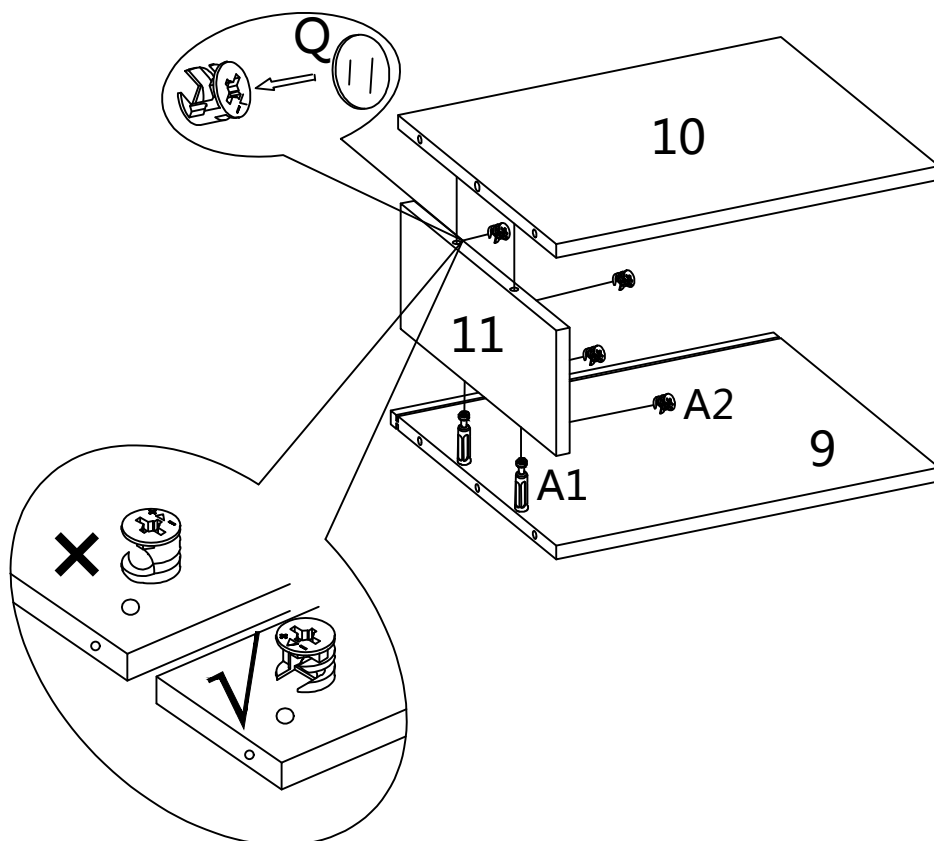
one side



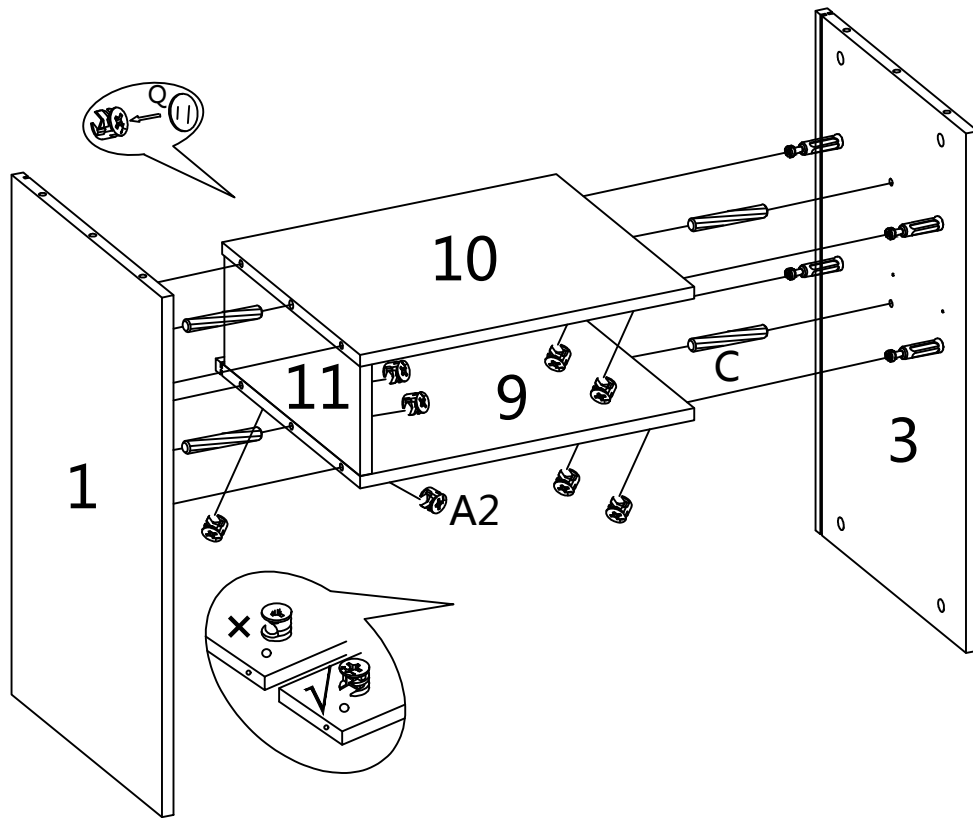
STEP 3






STEP 4

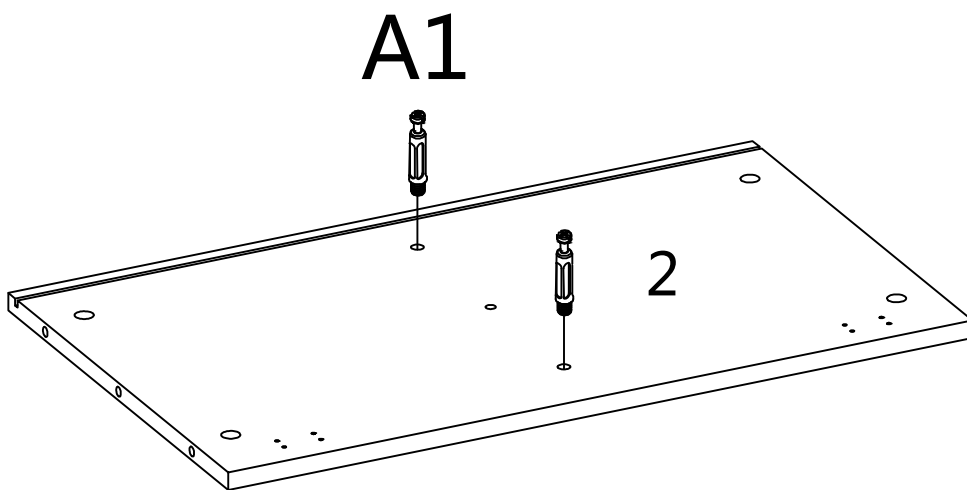



STEP 5



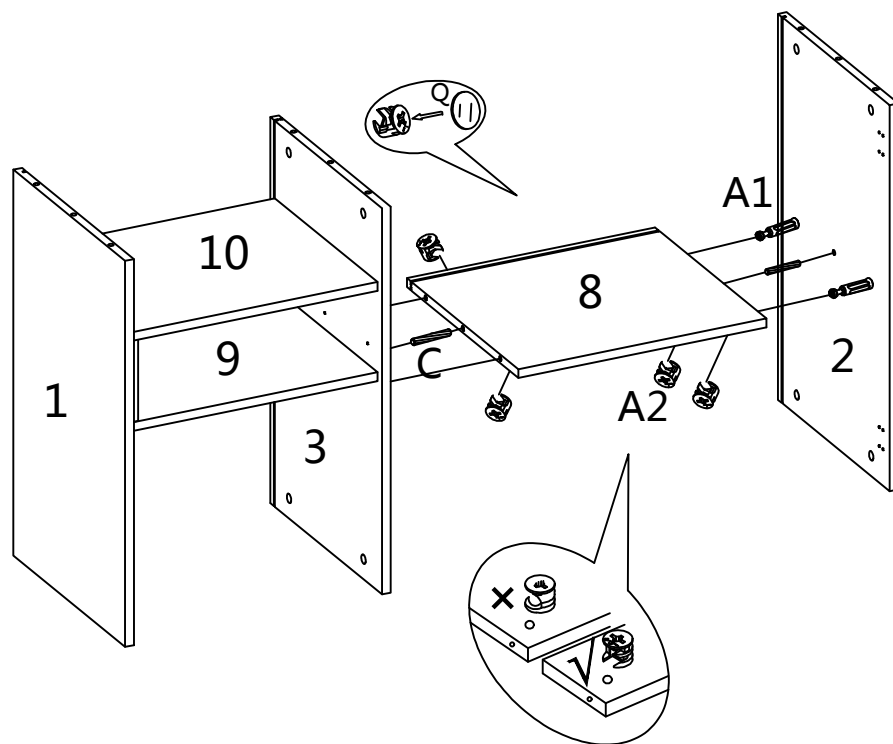
Q	X8
	
A2	X8
	
C	X4
	




STEP 6



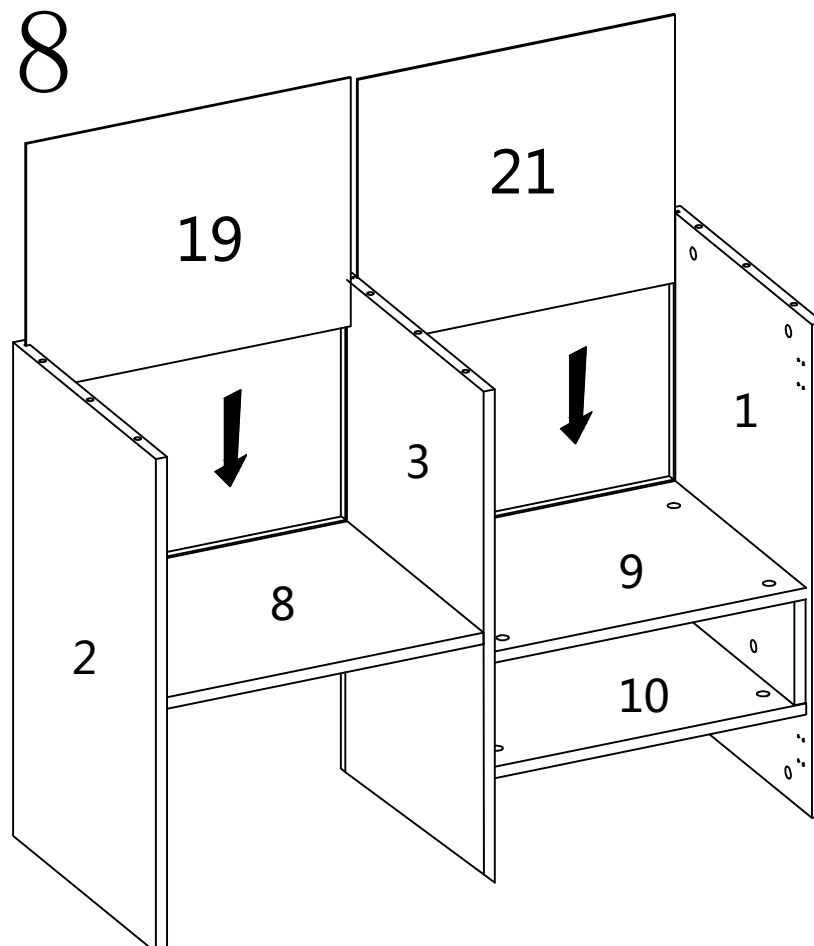
A1	X2
	

STEP 7

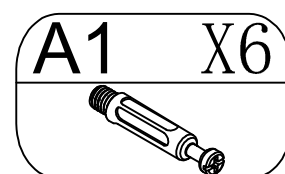
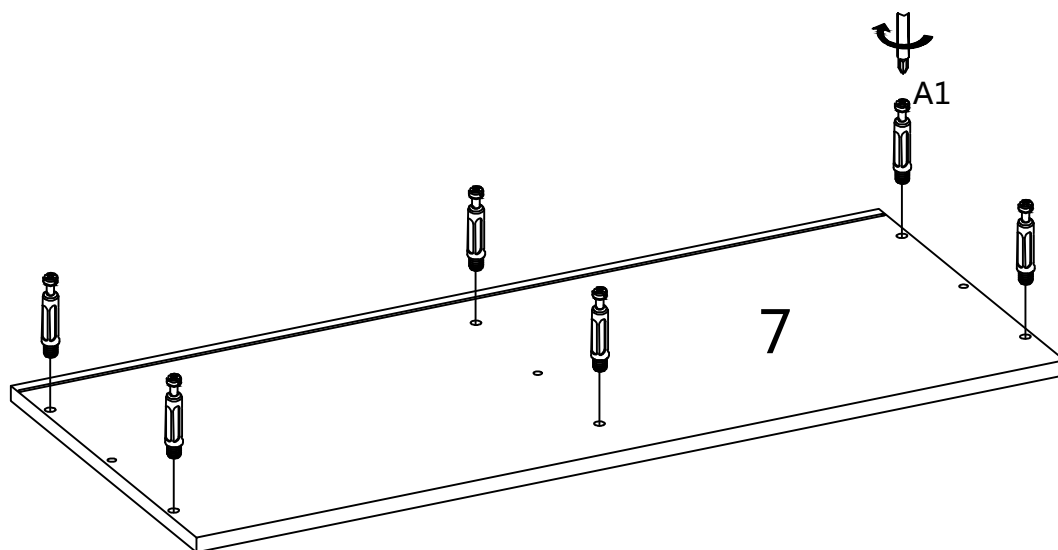


Q	X4
	
A2	X4
	
C	X2
	

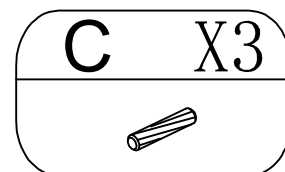
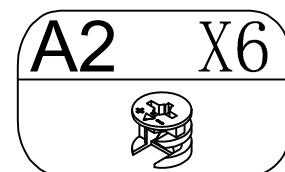
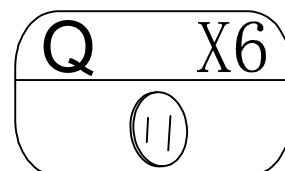
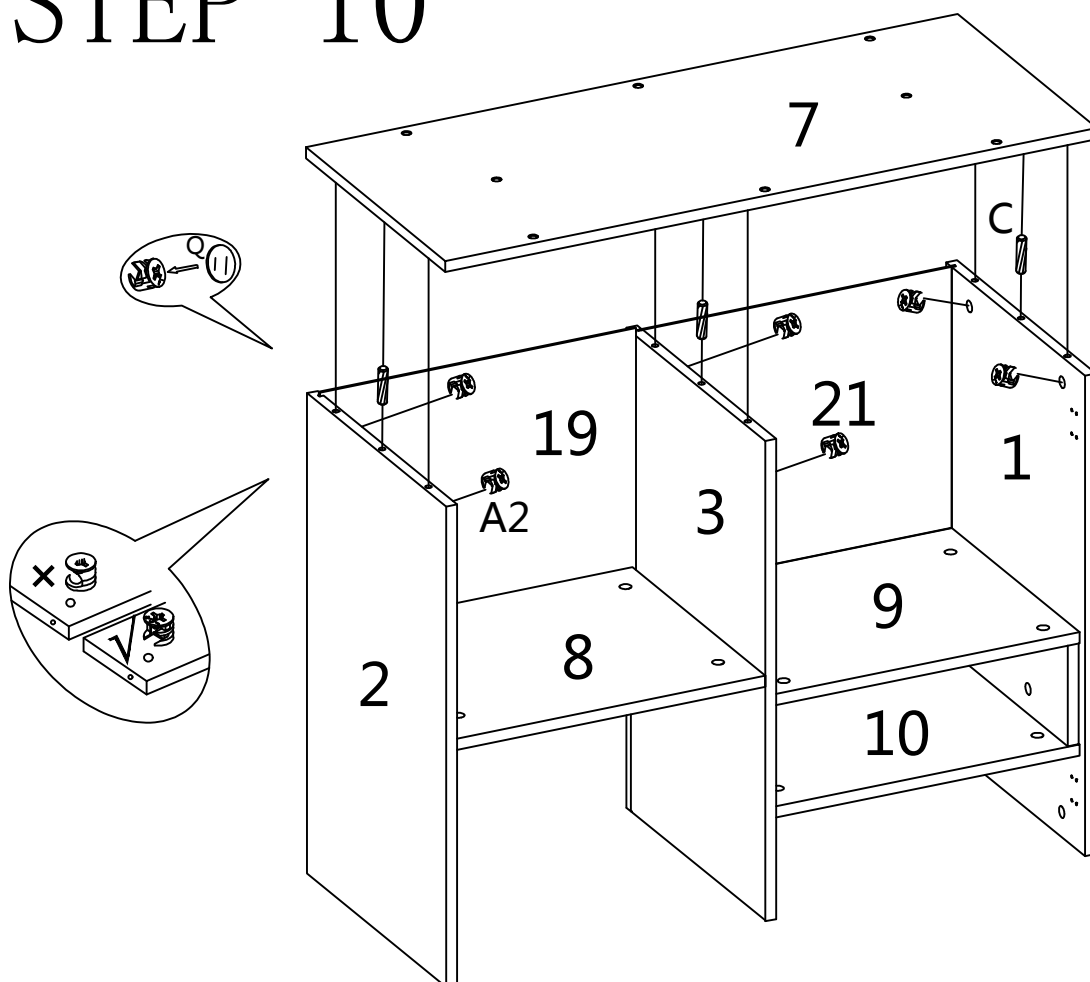
STEP 8



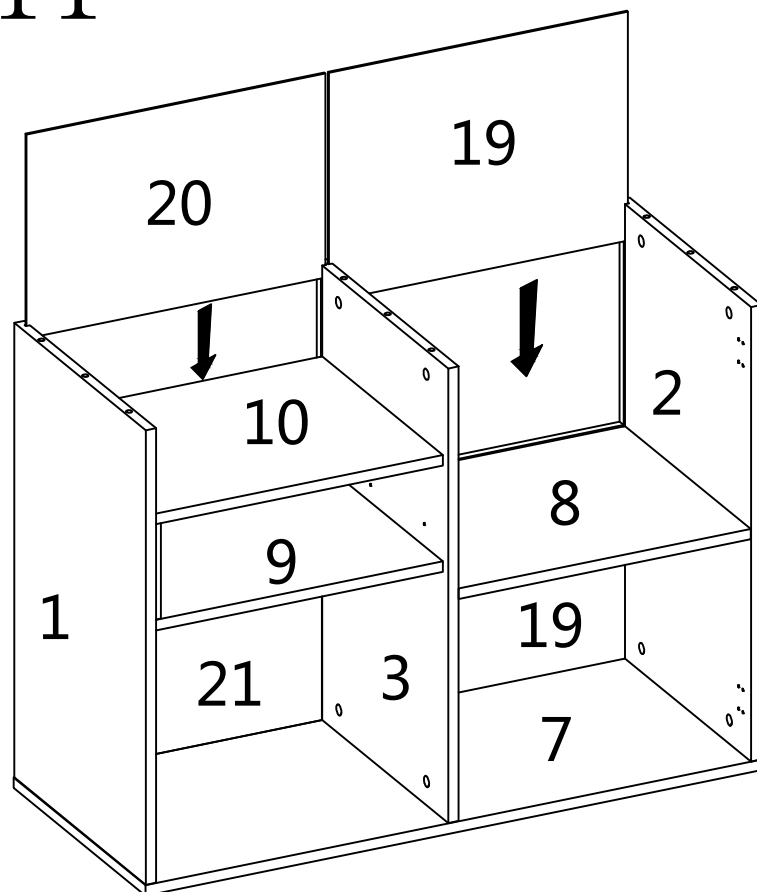
STEP 9



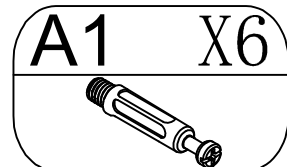
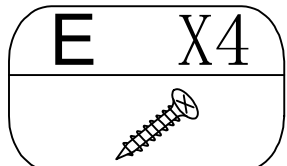
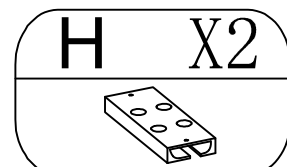
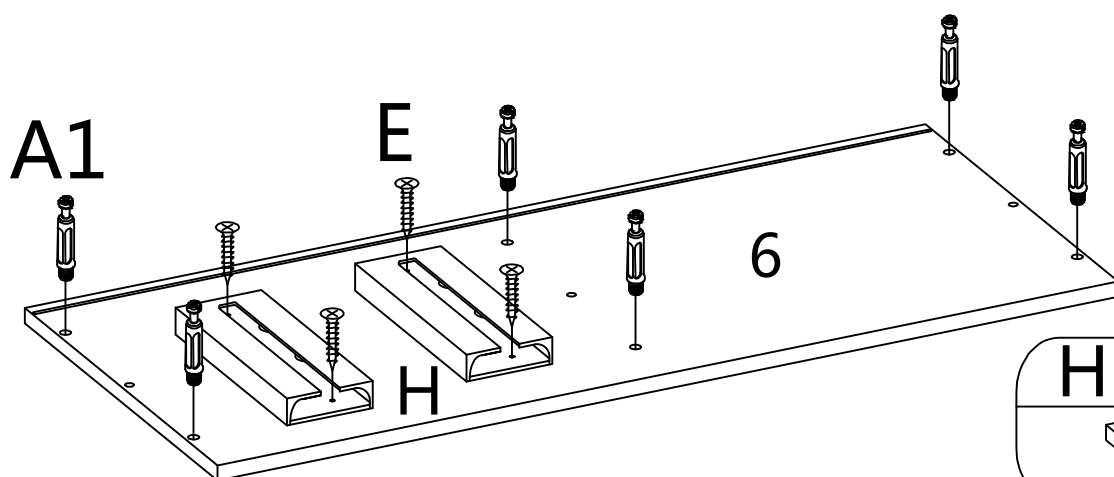
STEP 10



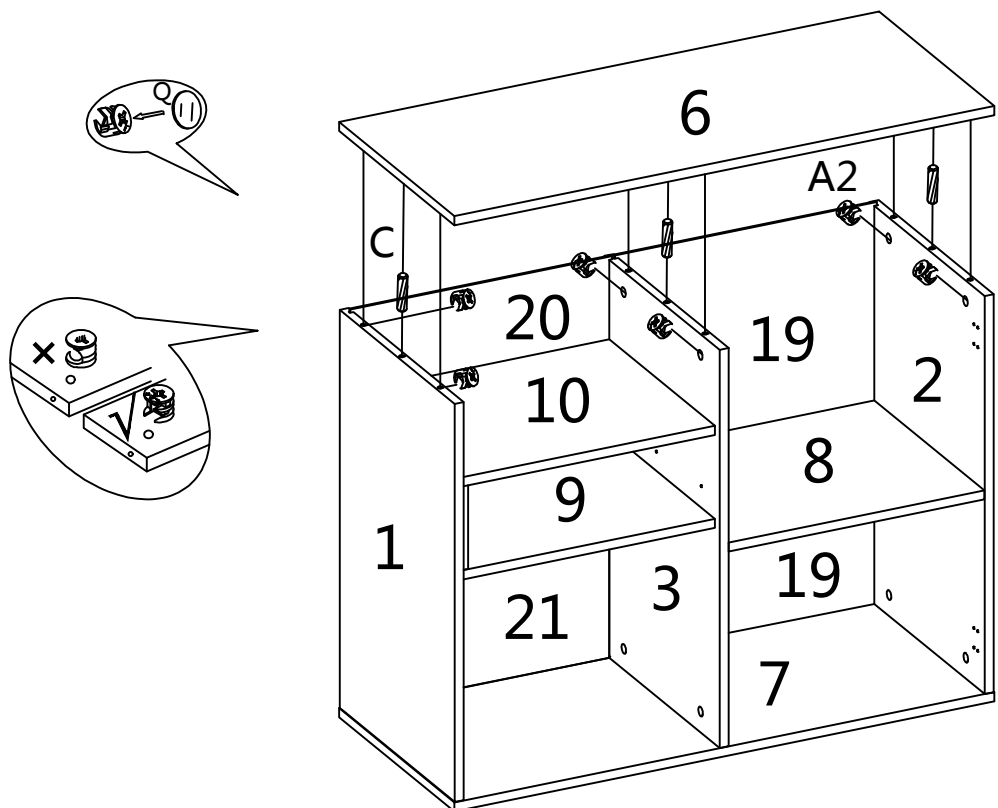
STEP 11



STEP 12

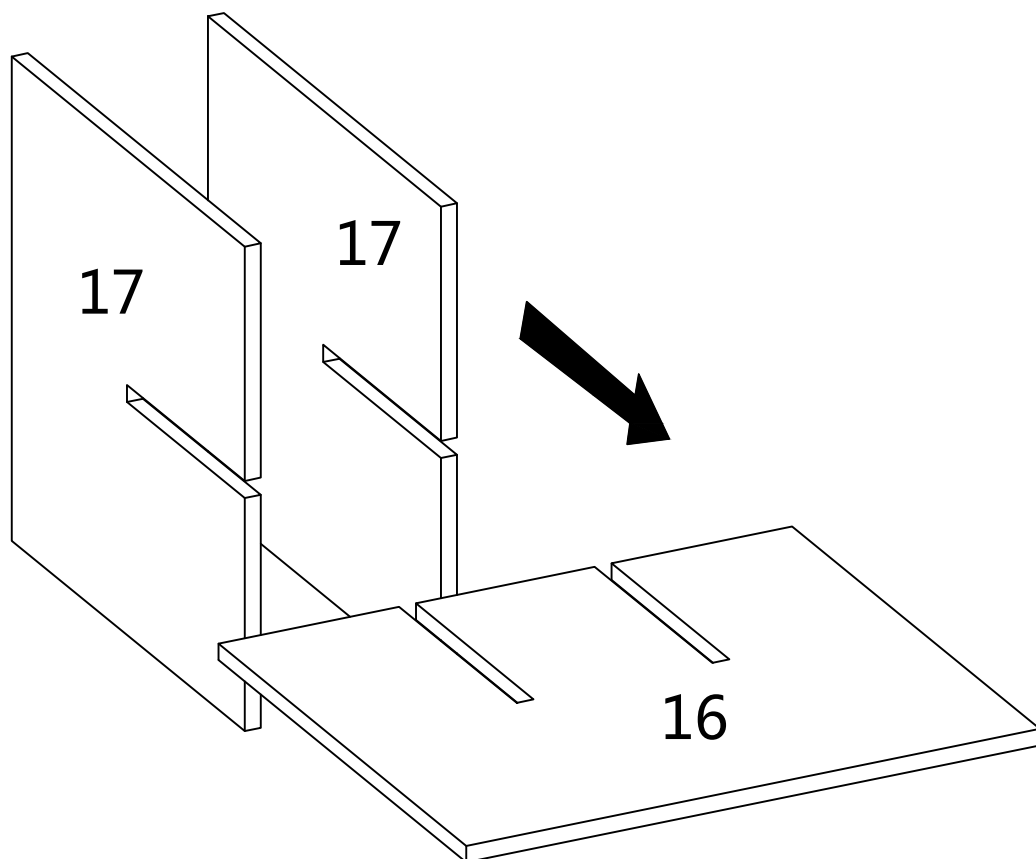


STEP 13

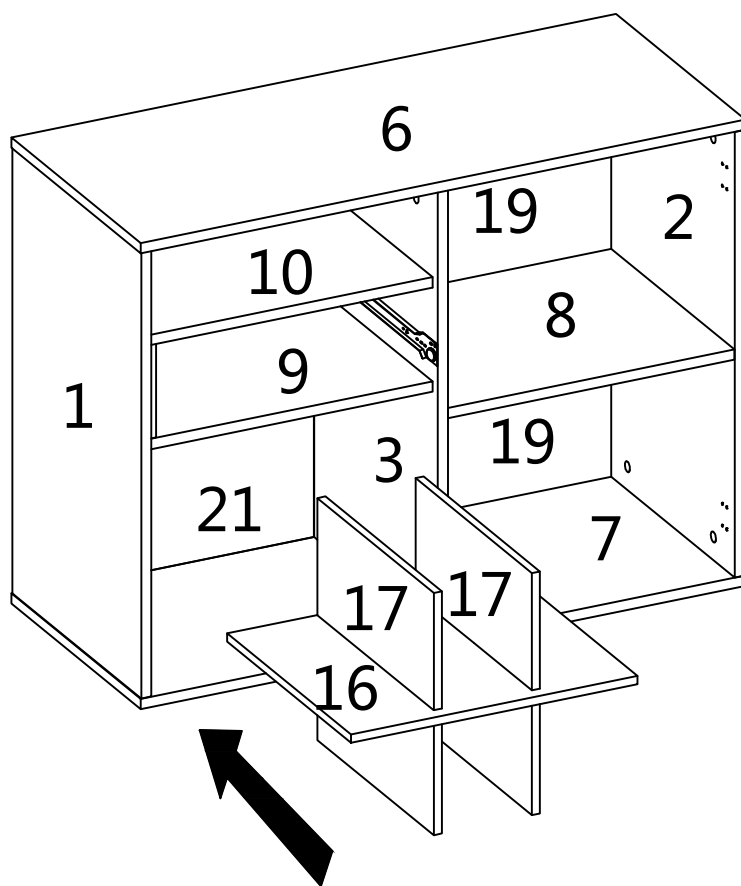


C	X3
Q	X6
A2	X6

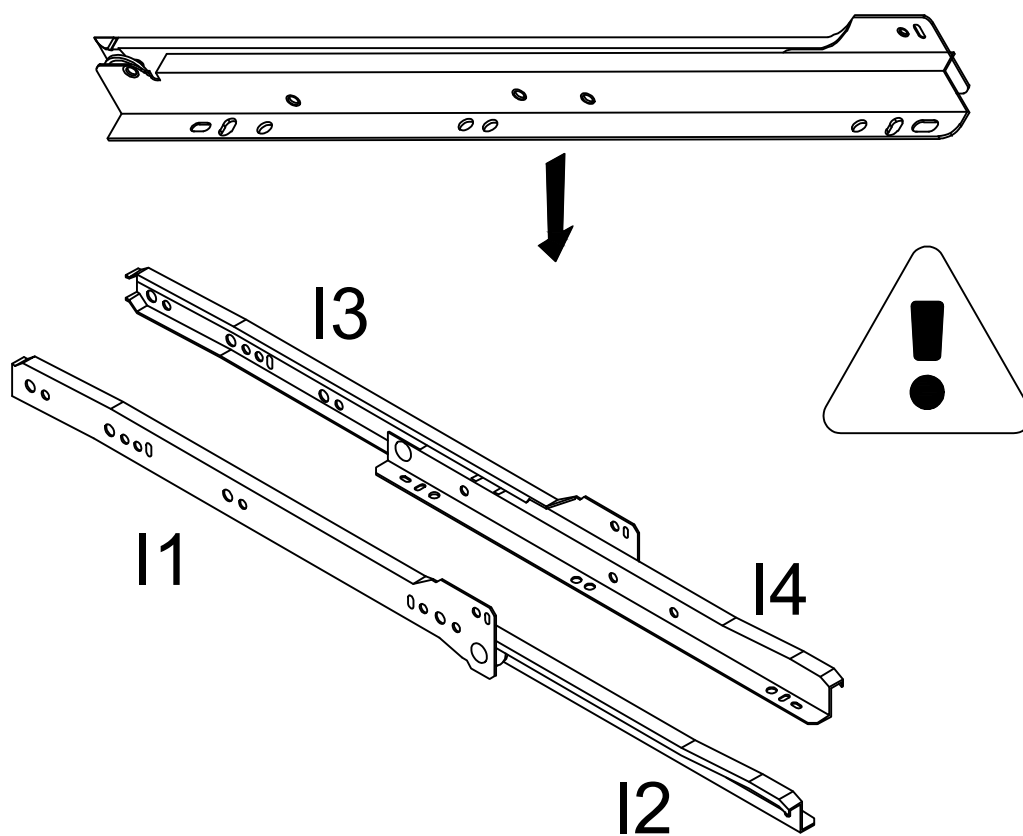
STEP 14



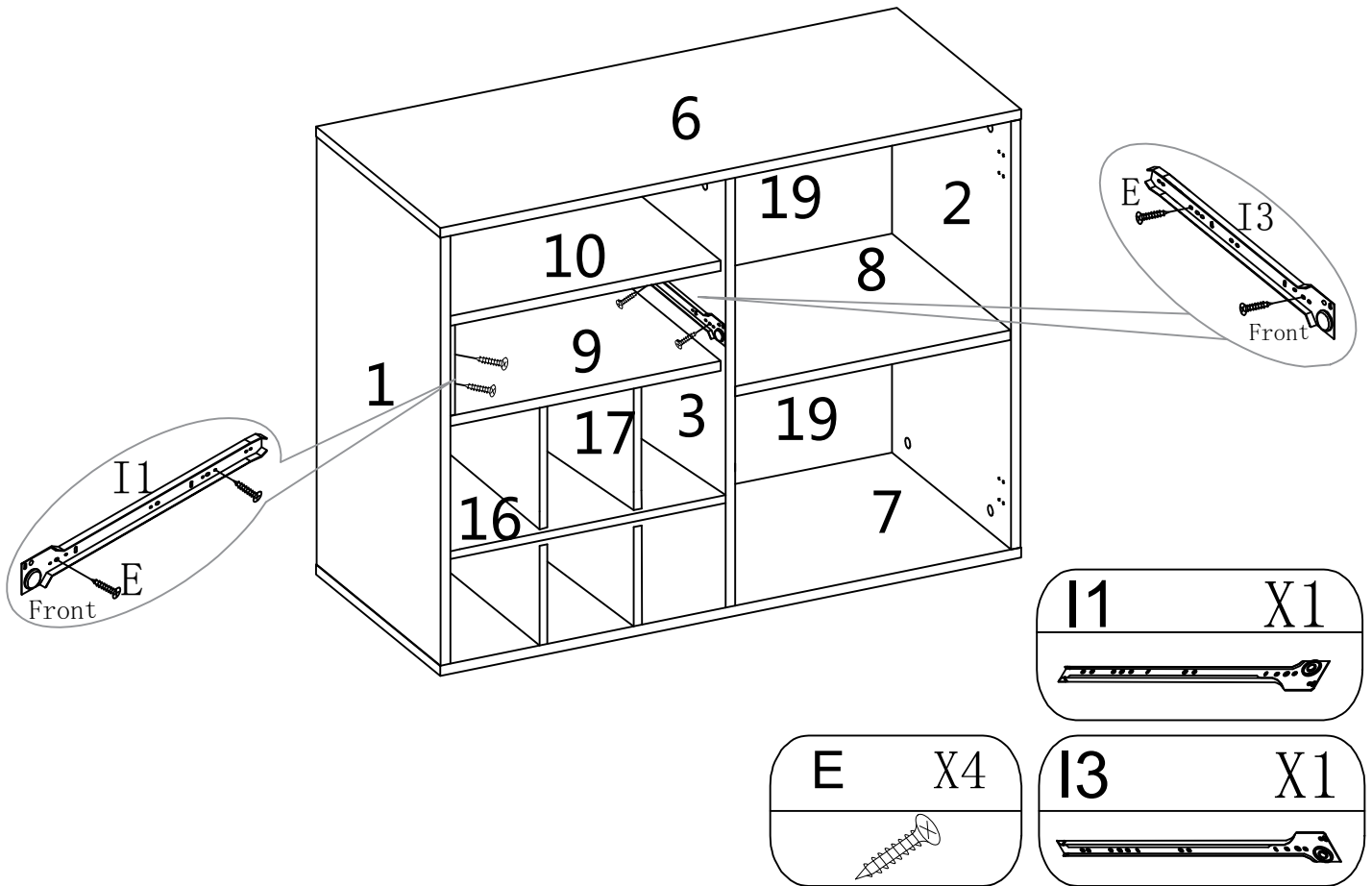
STEP 15



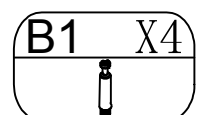
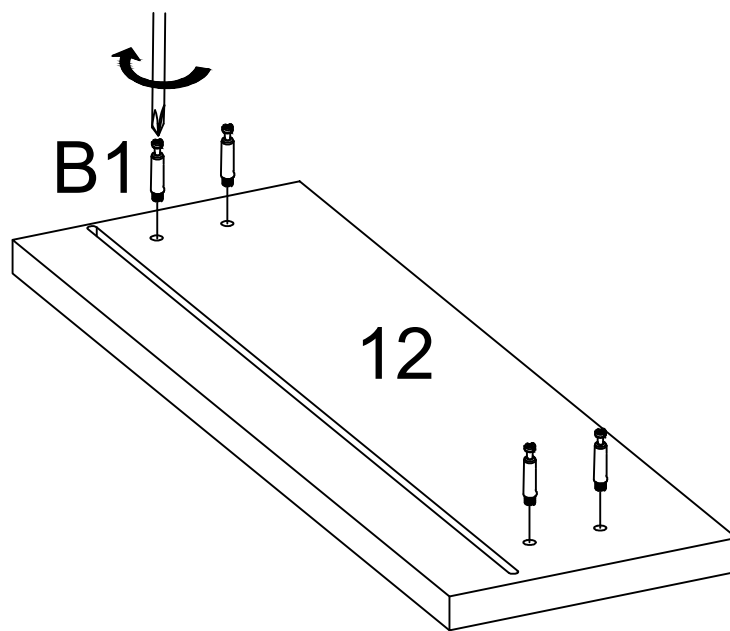
STEP 16



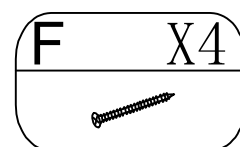
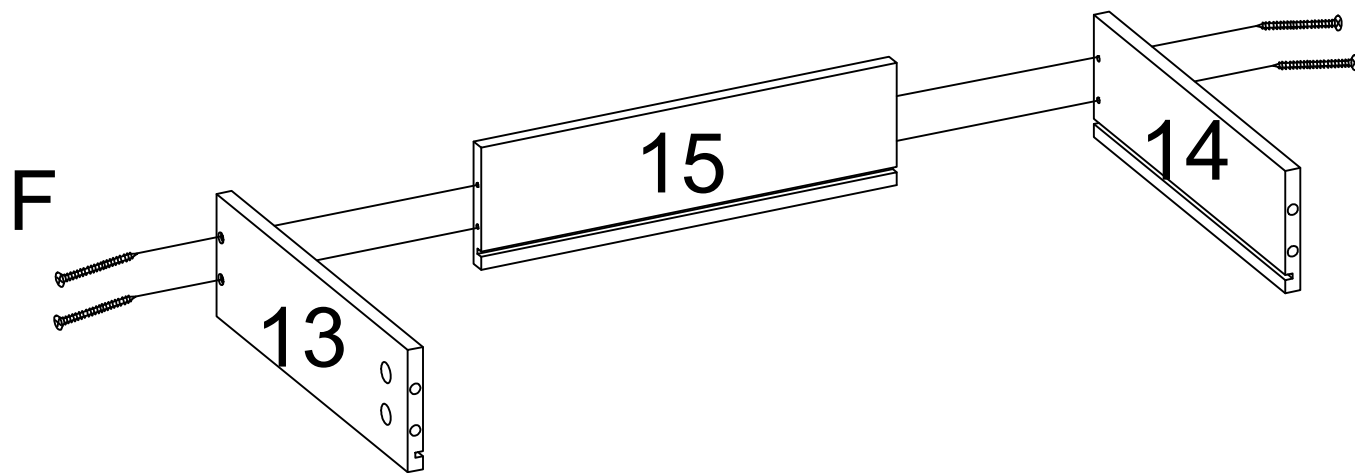
STEP 17



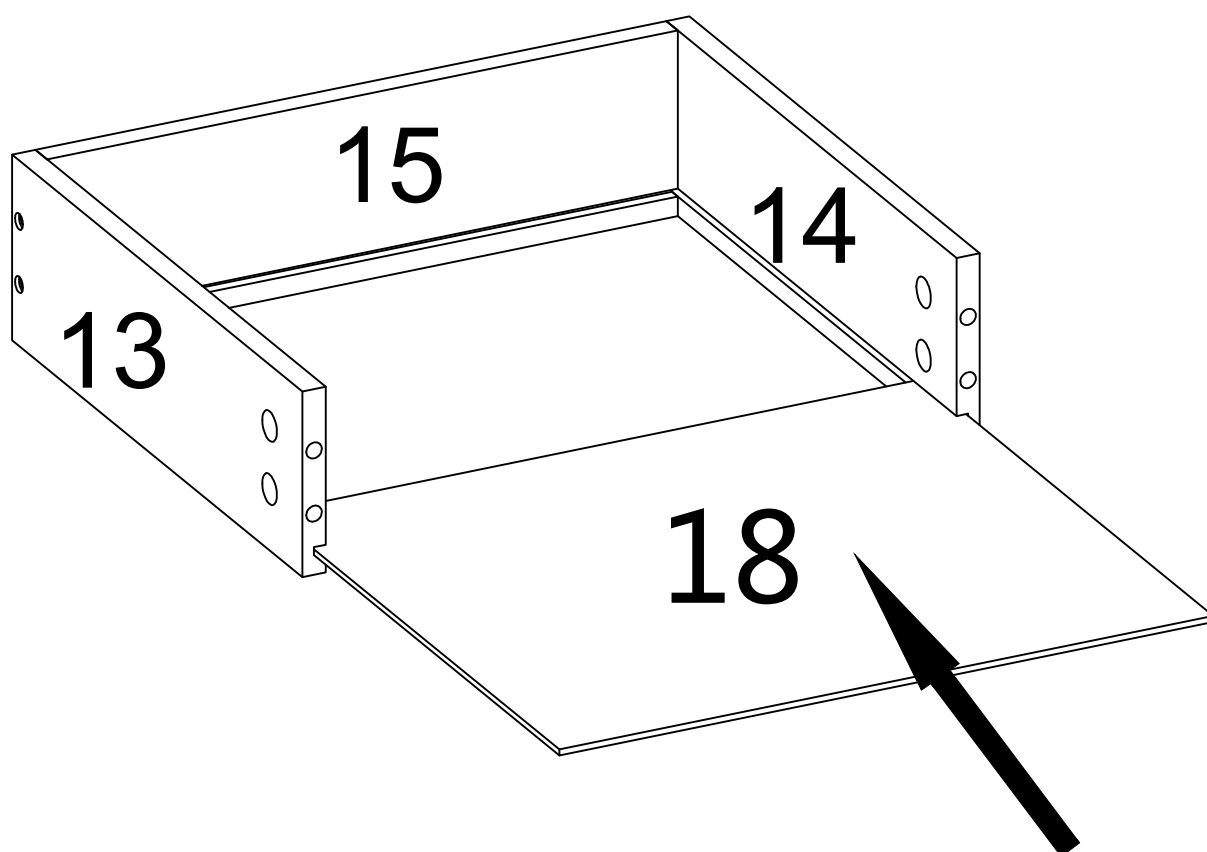
STEP 18



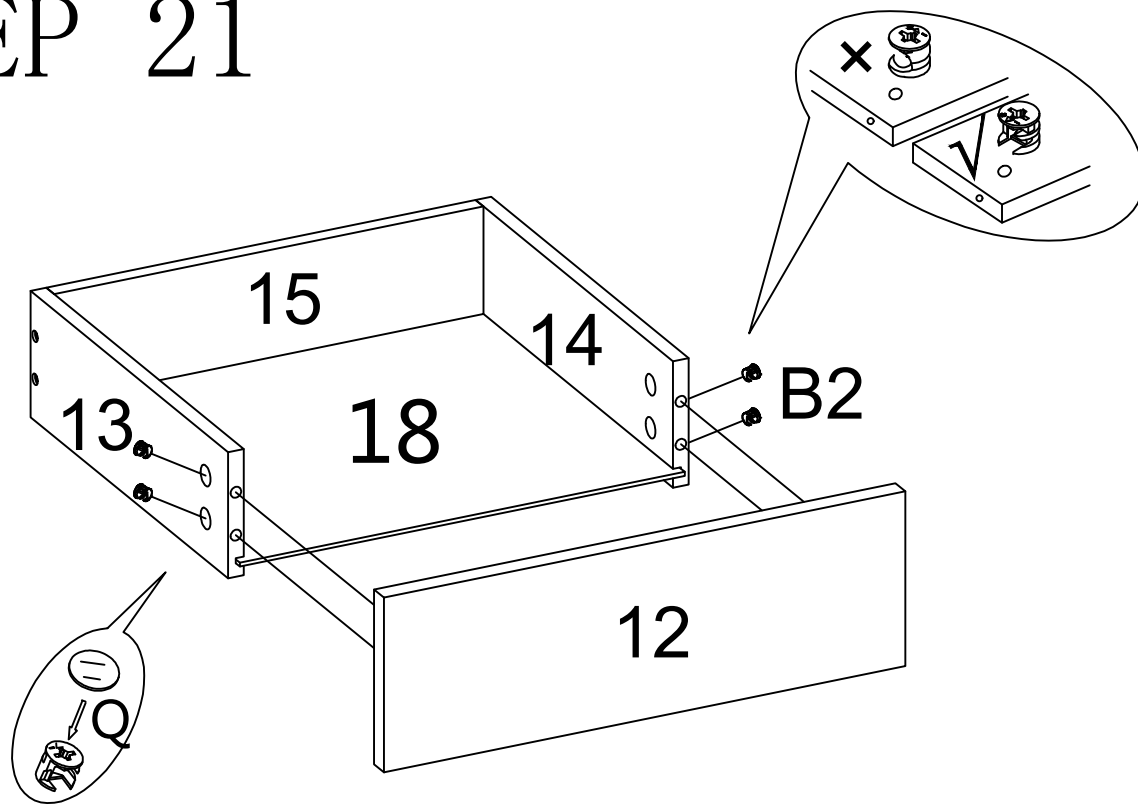
STEP 19





STEP 20

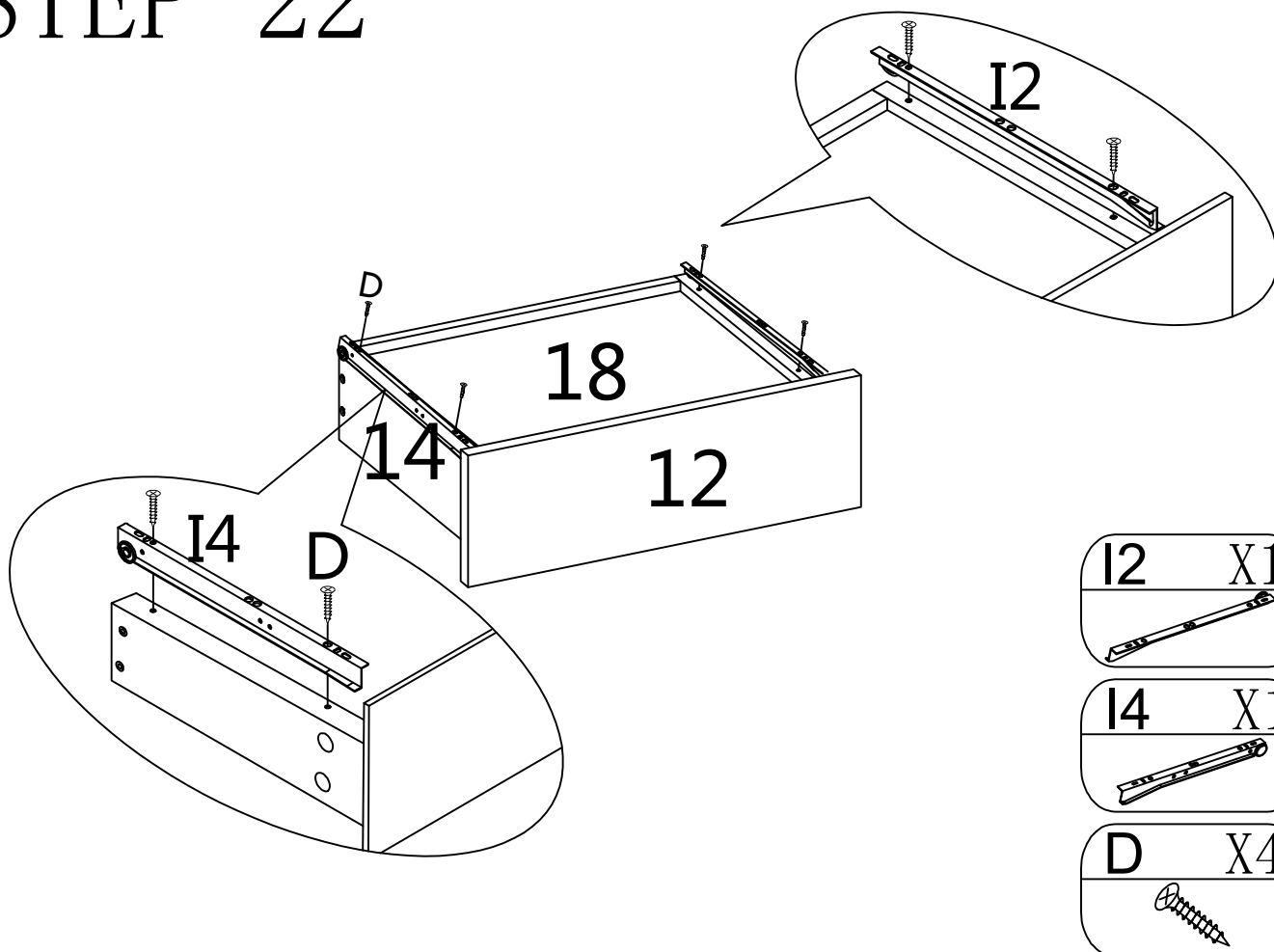


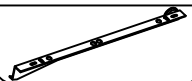
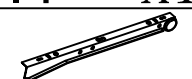
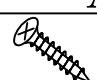
STEP 21



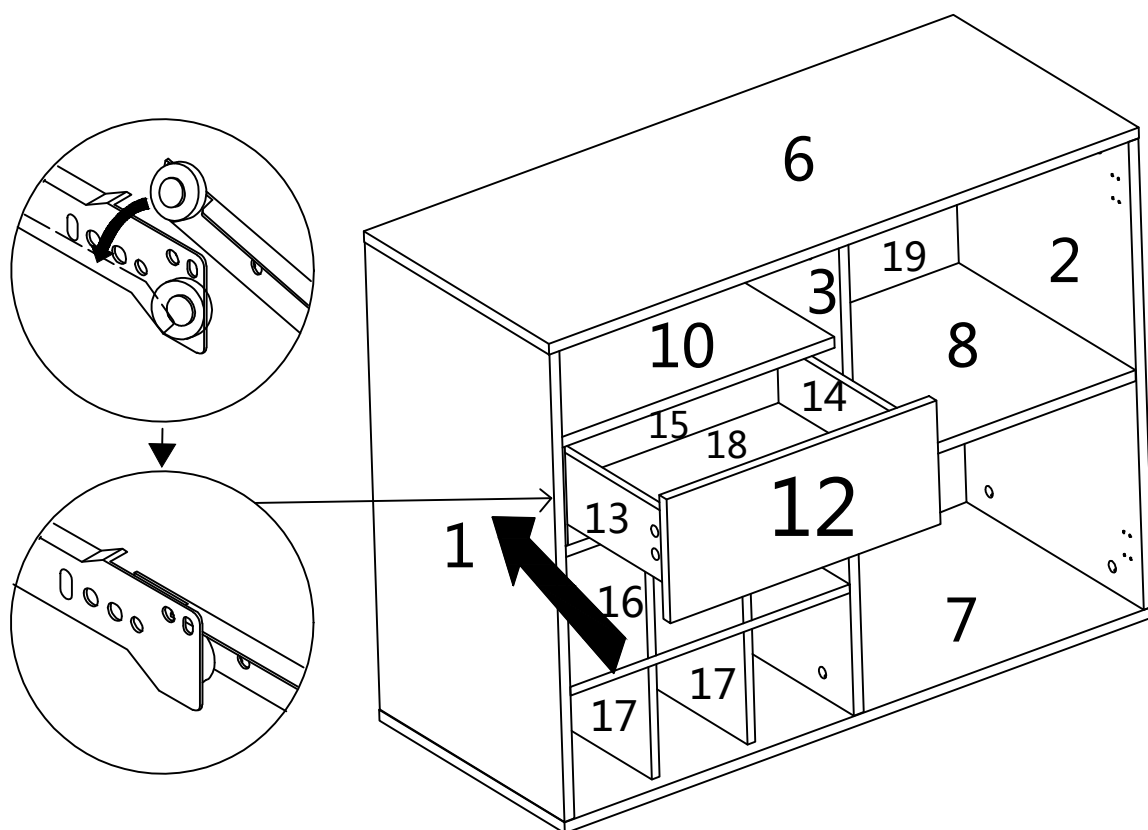
B2	X4	Q	X4
			

STEP 22

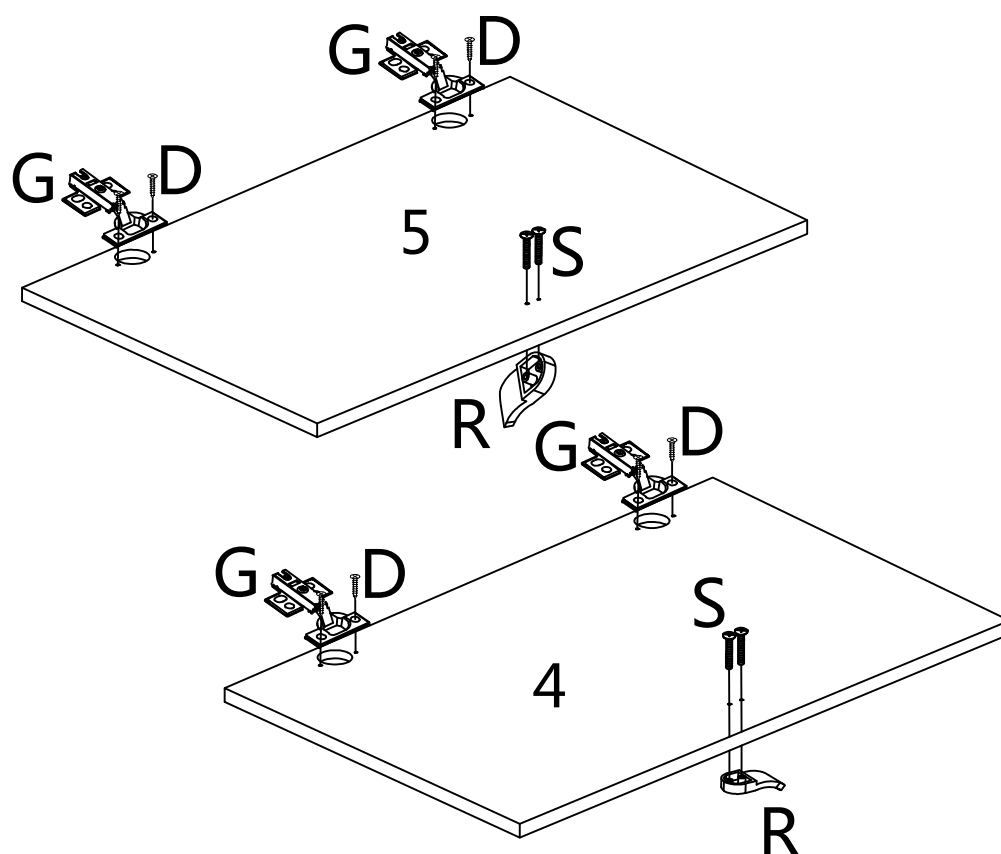





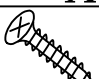
I2	X1
	
I4	X1
	
D	X4
	

STEP 23

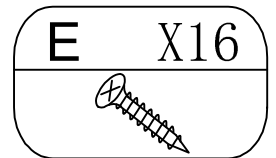
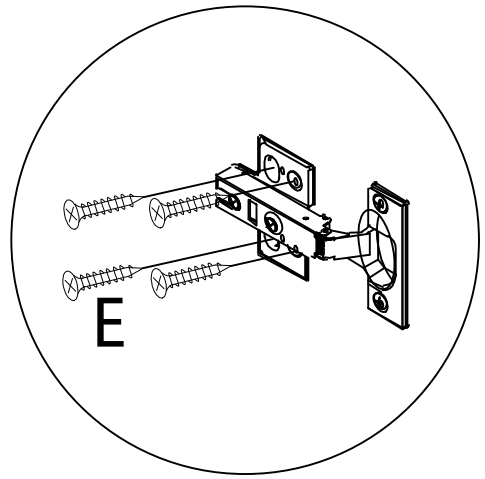
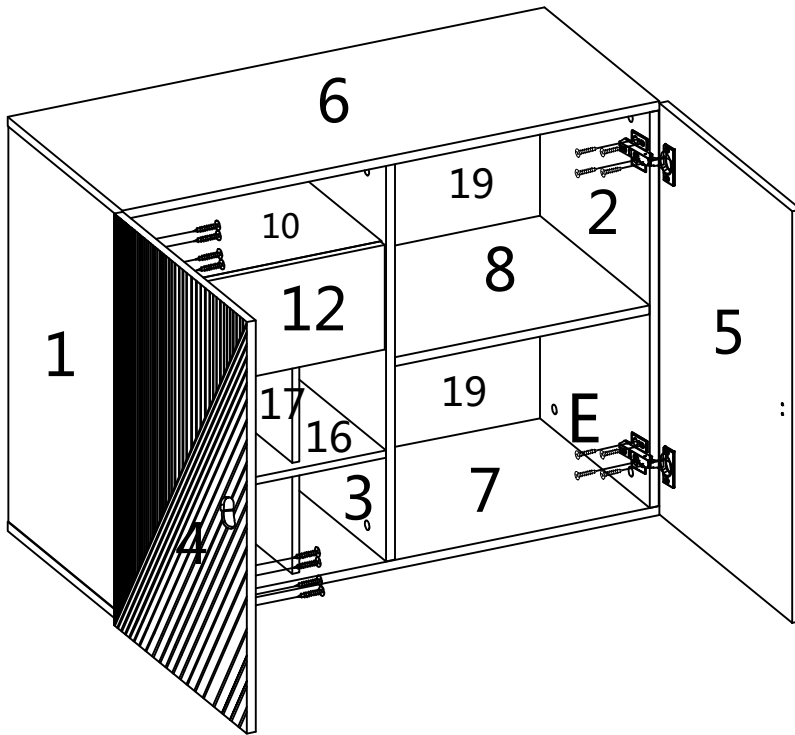


STEP 24



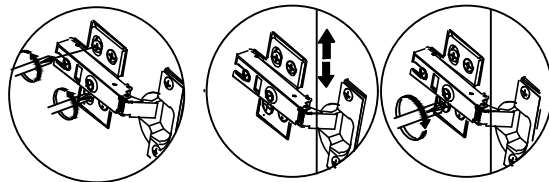
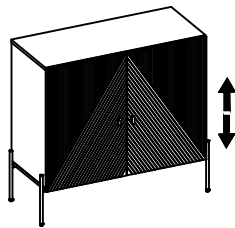
S	X4
	
R	X2
	
G	X4
	
D	X8
	

STEP 25

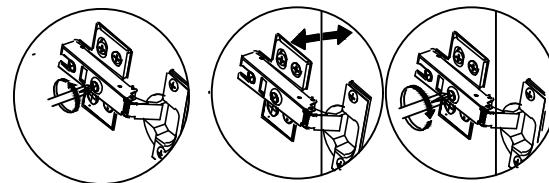
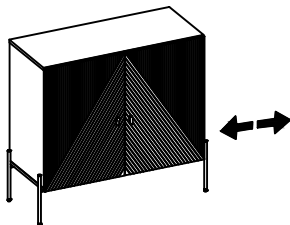


STEP 26

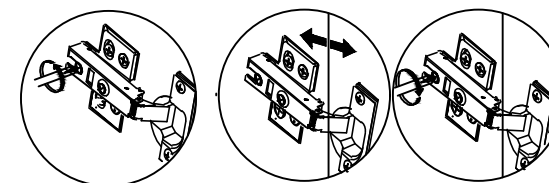
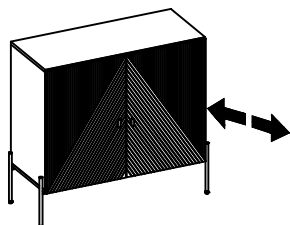
Cabinet door up and down fine adjustment



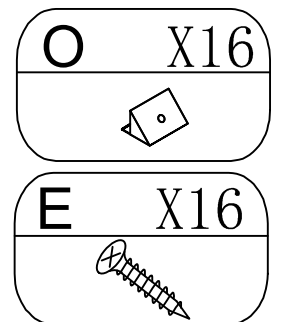
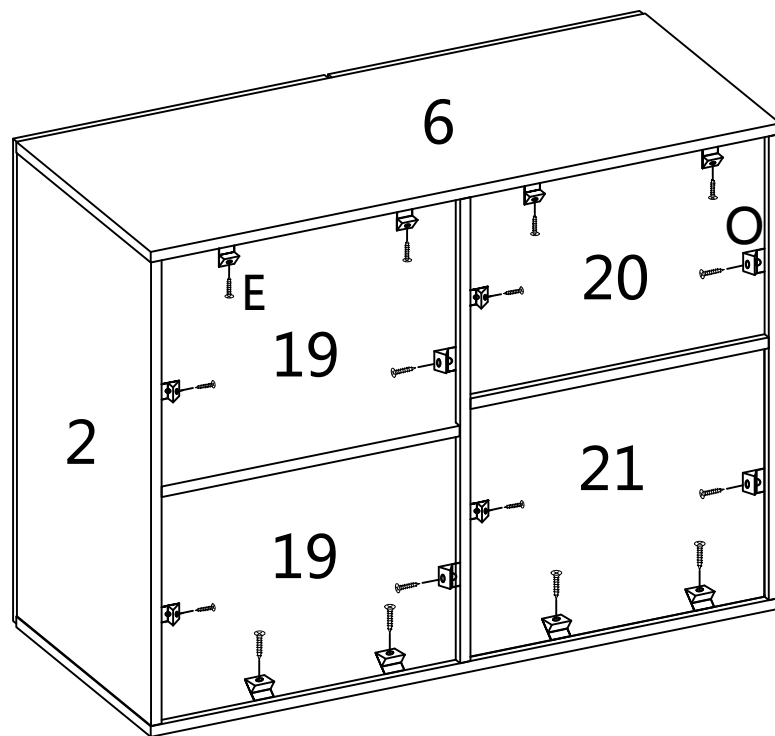
Cabinet door left and right fine adjustment



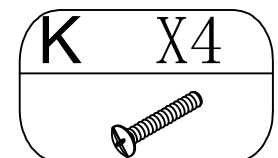
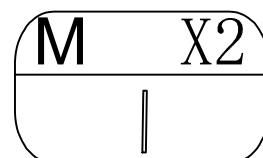
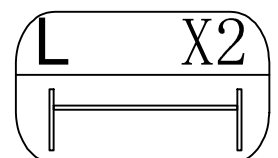
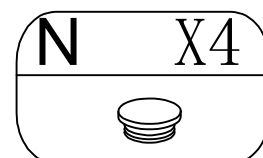
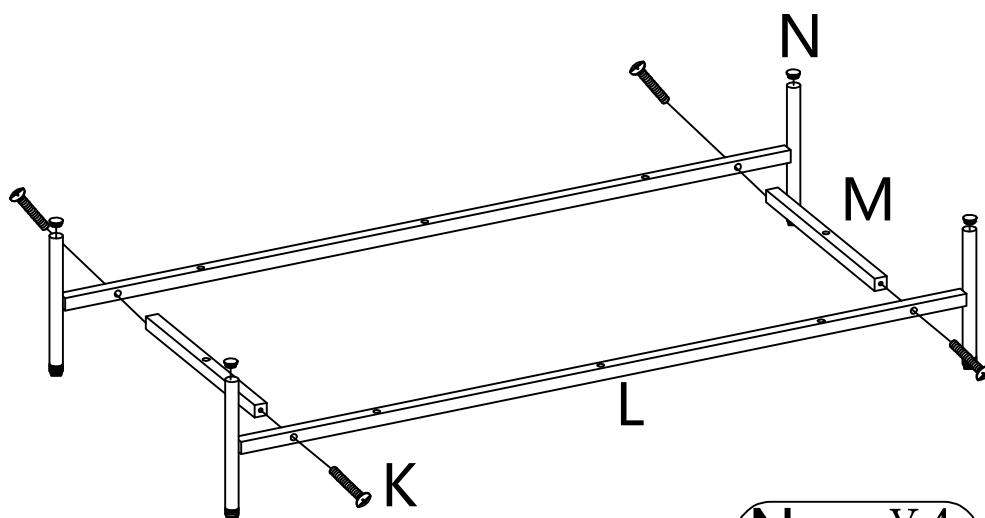
Fine-tune the gap after the cabinet door is closed



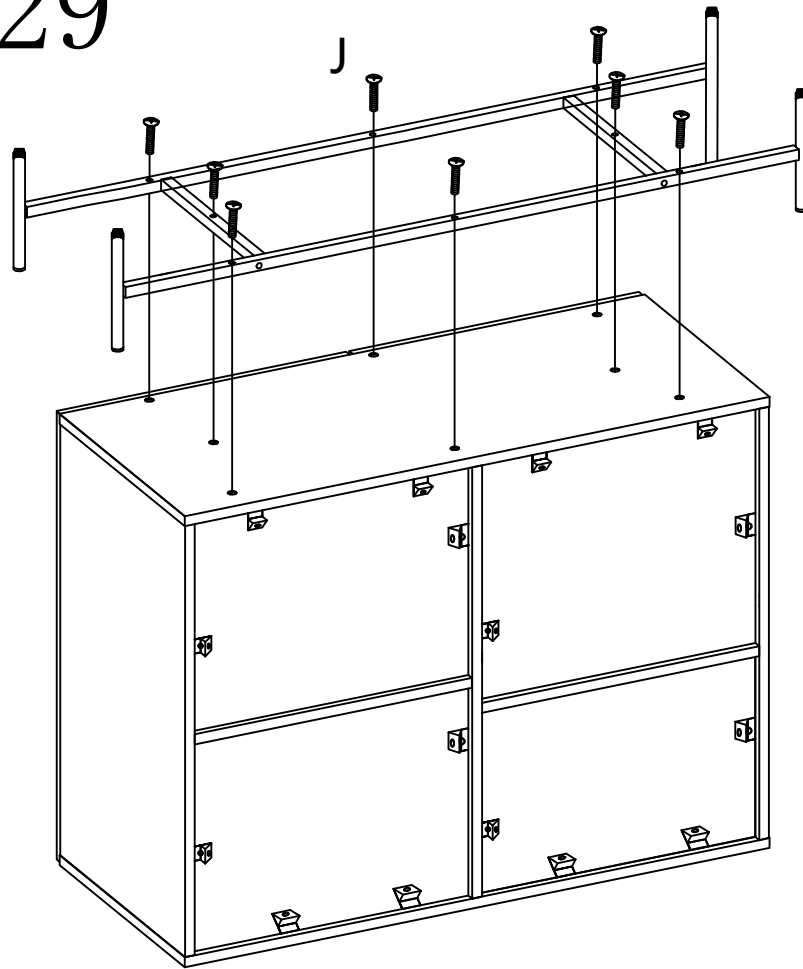
STEP 27




STEP 28



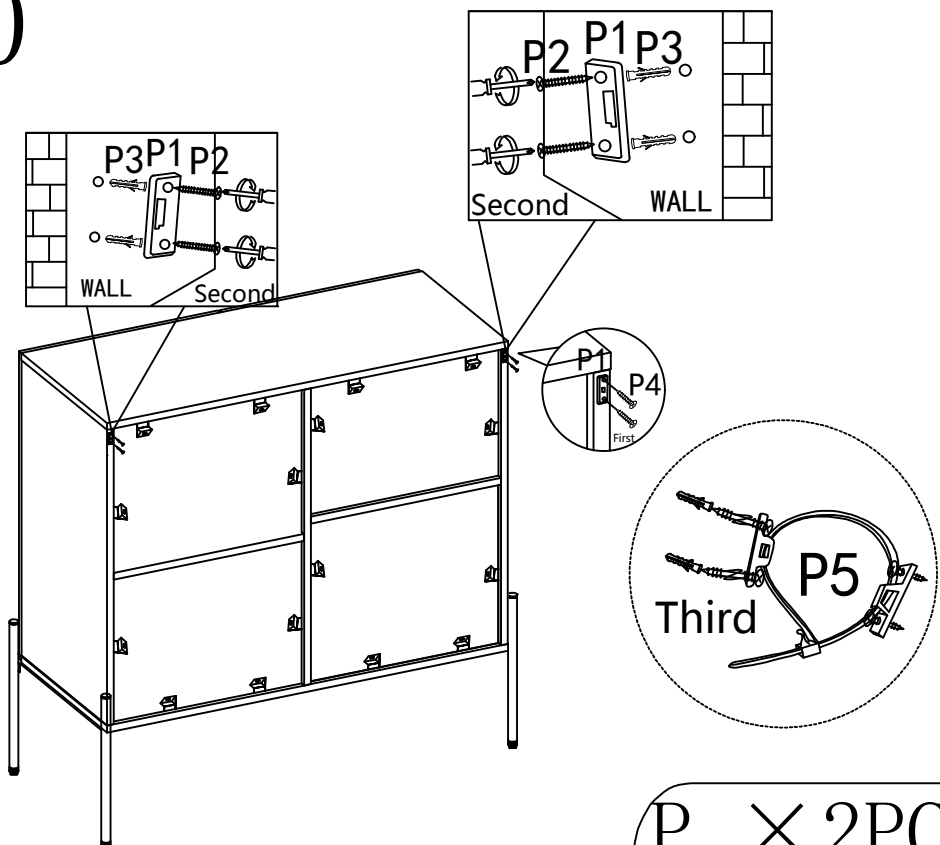
STEP 29




J X8



STEP 30

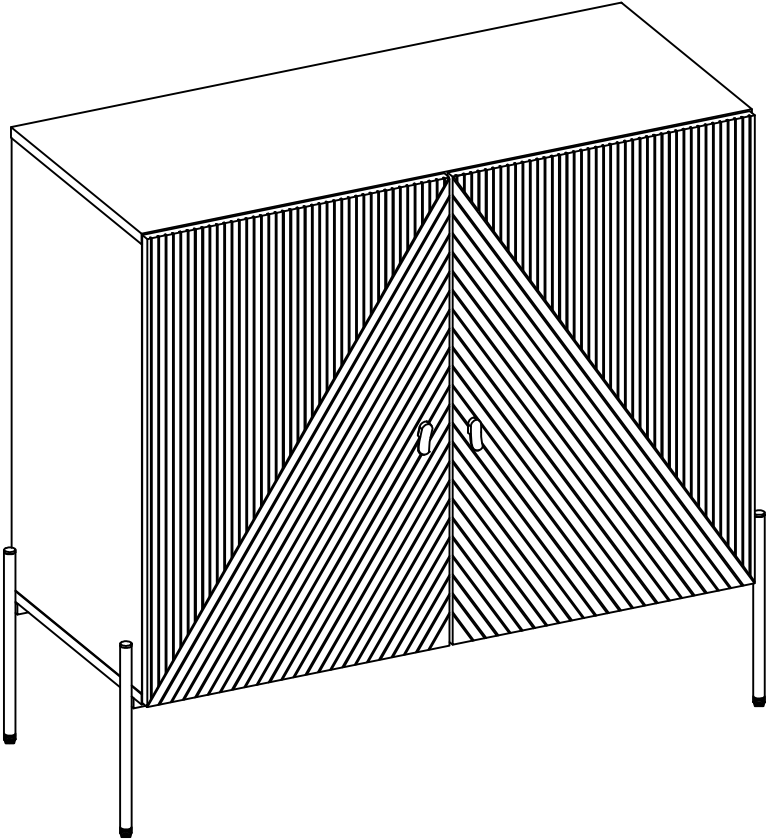


P X 2PCS



- P1: Wall anchor
- P2: Wall anchor
- P3: Wall anchor
- P4: Screw
- P5: Cable tie

STEP 31



END