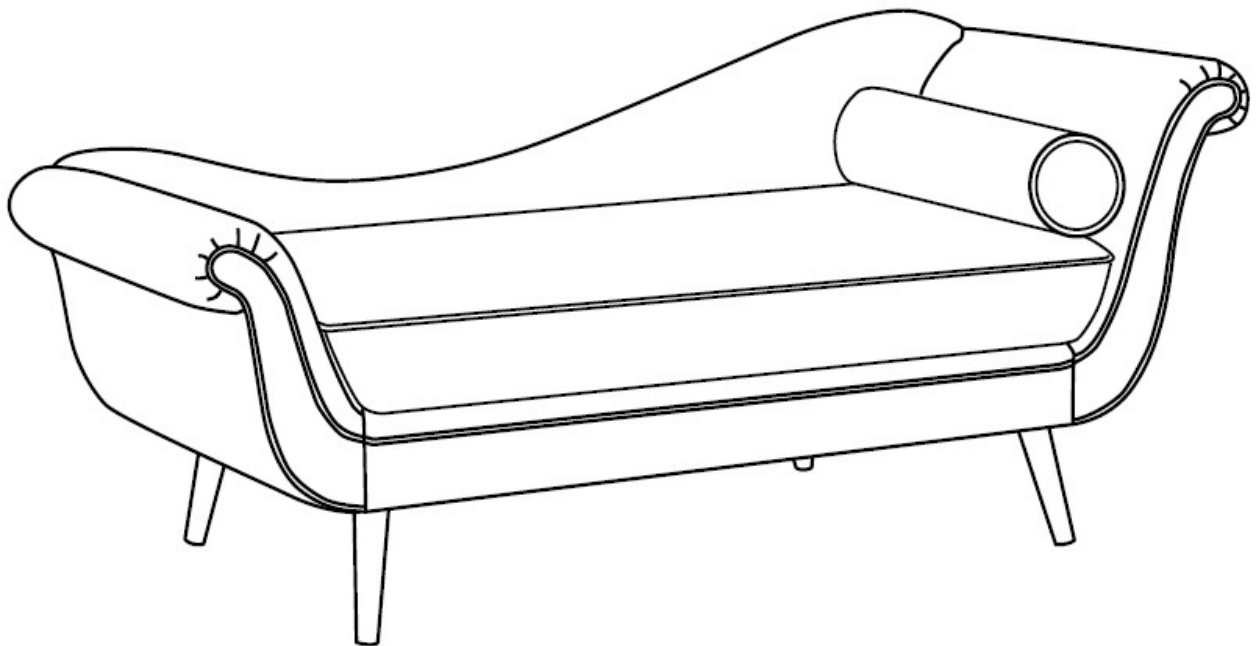


Assembly Instructions

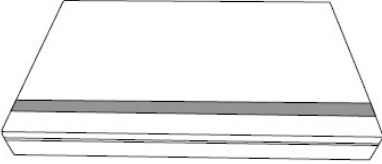
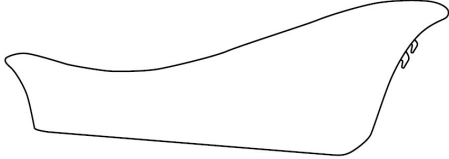
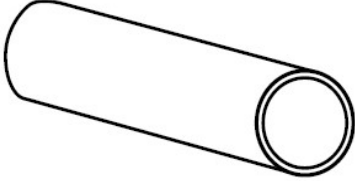
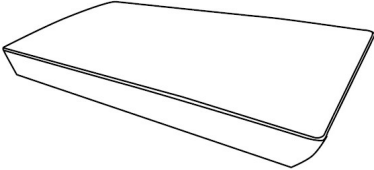
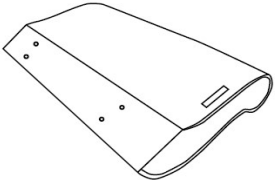
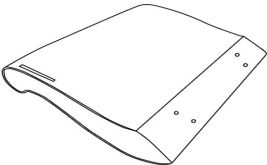

Caution: You must read this before you proceed

Please look in the velcro pouch for hardware packs and legs






CHAISE



Part List

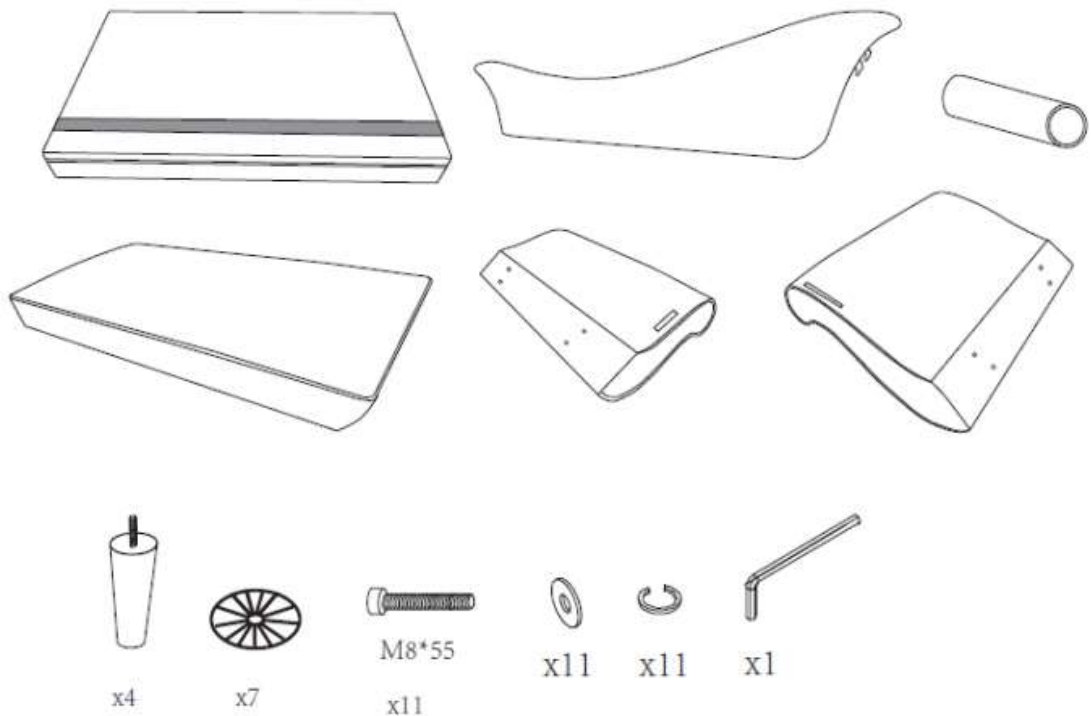
Label	Picture	Description	QTY
A		Seat Base	1
B		Backrest	1
C		Pillow	1
D		Seat Cushion	1
E		Left Armrest	1
F		Right Armrest	1
G		Leg	4

Hardware List

Label	Picture	Description	QTY
①		Plastic Washer	7
②		Bolt(M8*55)	11
③		Flat Washer	11
④		Spring Washer	11
⑤		Allen Key	1

Assembly Preparation

Before Beginning Assembly:



- Read instructions, cover to cover-



- Have 2 adults on hand for assembly-



- Do not assemble on flooring or carpet-

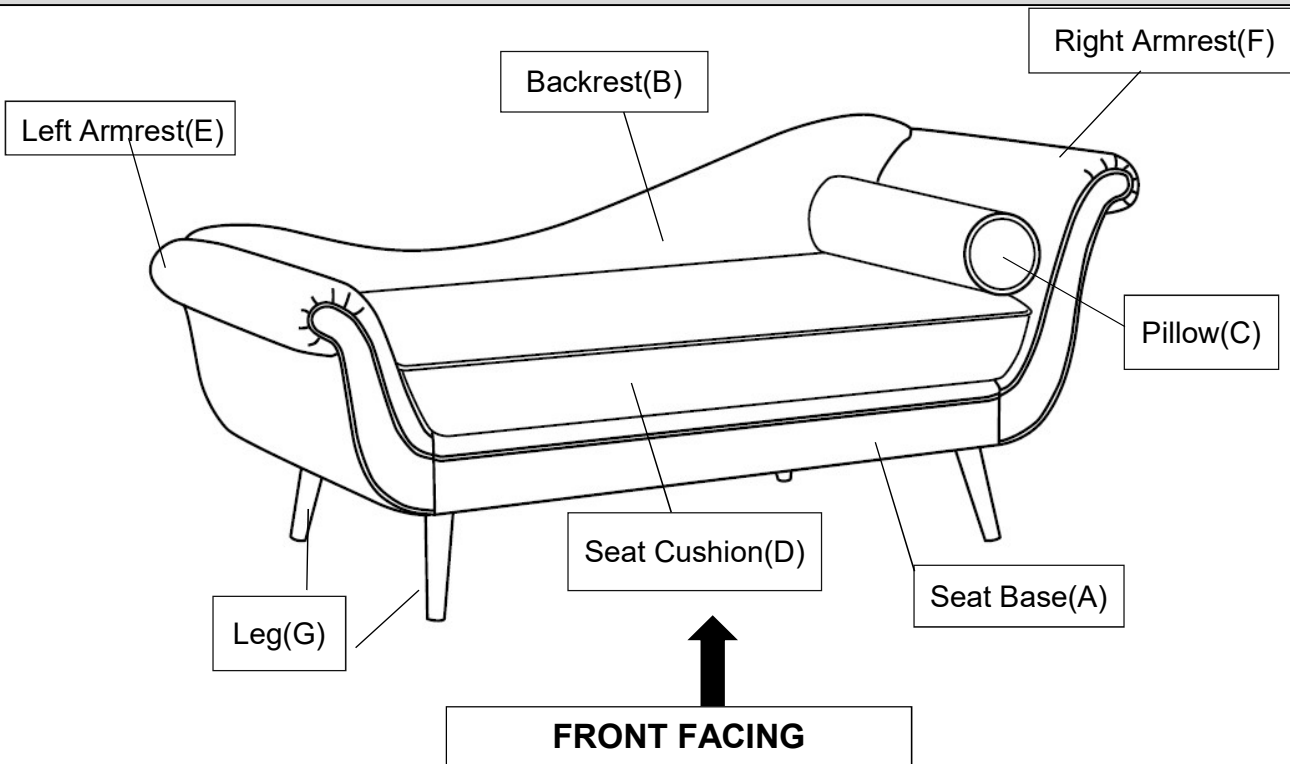


- Assemble on a clean non-marring surface (packing foam)-



- Save all packaging until finished-

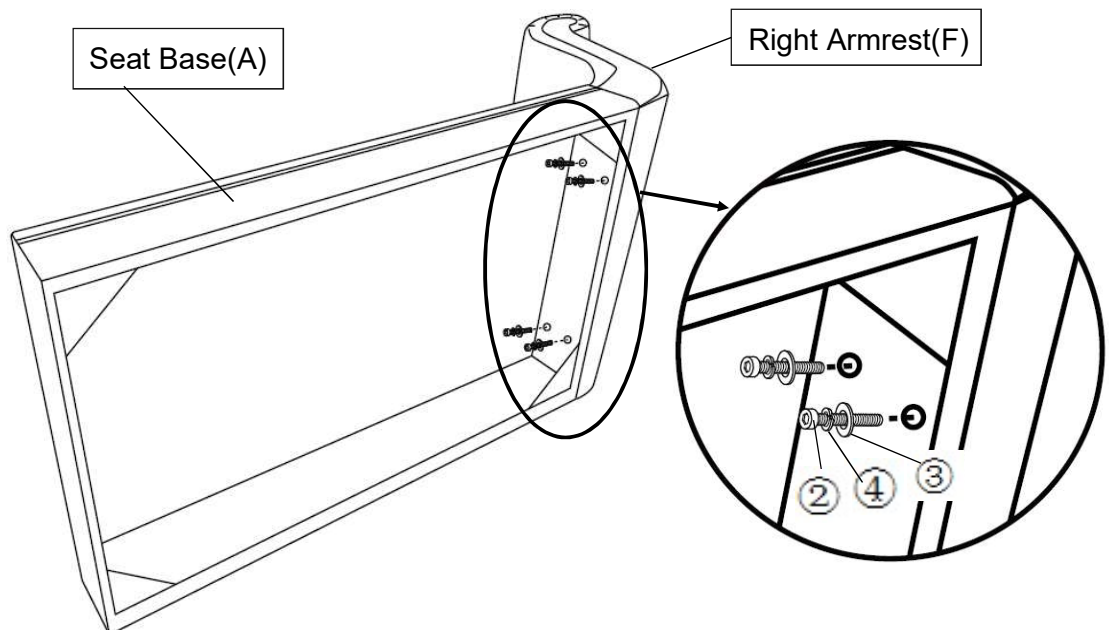
Assembly Steps



This Chaise has multiple parts and may require up to 60 minutes to assemble. To give you an overview of the Chaise parts, the above picture is to help you put the various parts into perspective. Please read through the instructions below to familiarise yourself with the parts and steps before assembly.

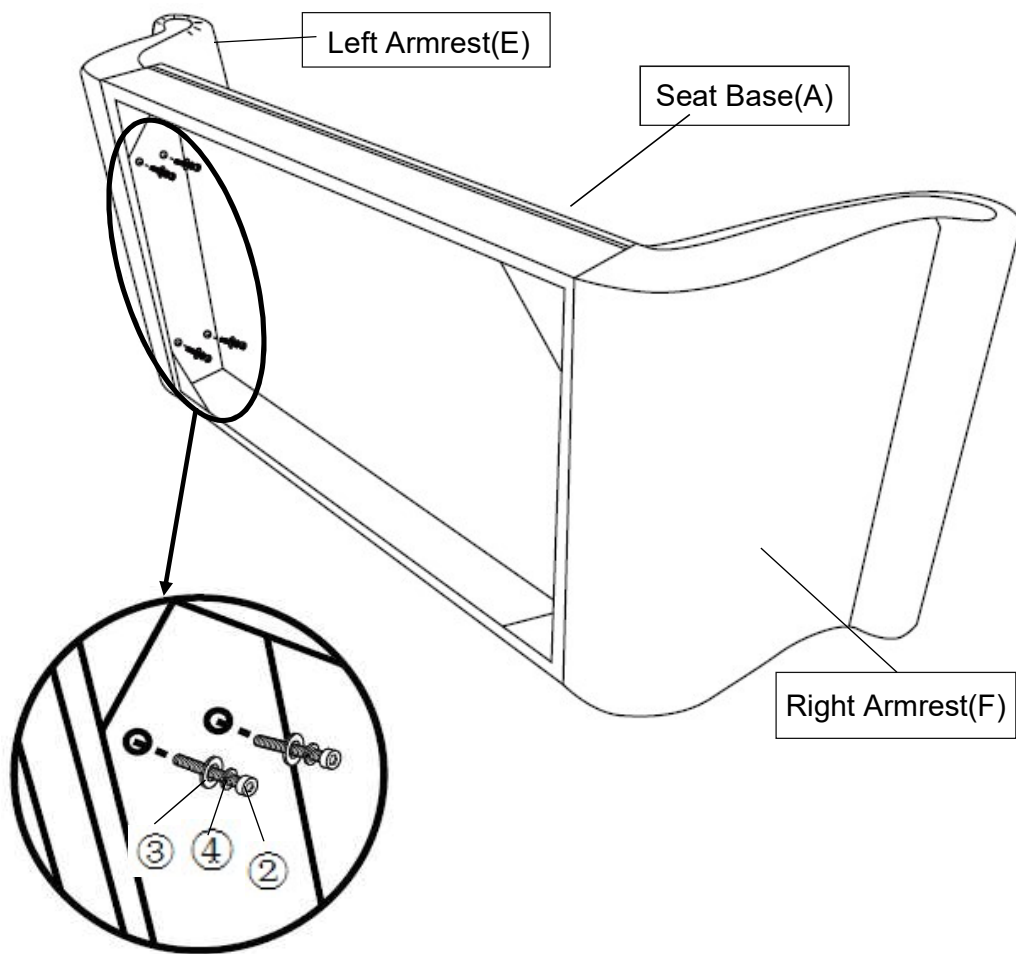
Note: It is recommended that you have an adult partner to assist during the entire assembly process.

Step 1



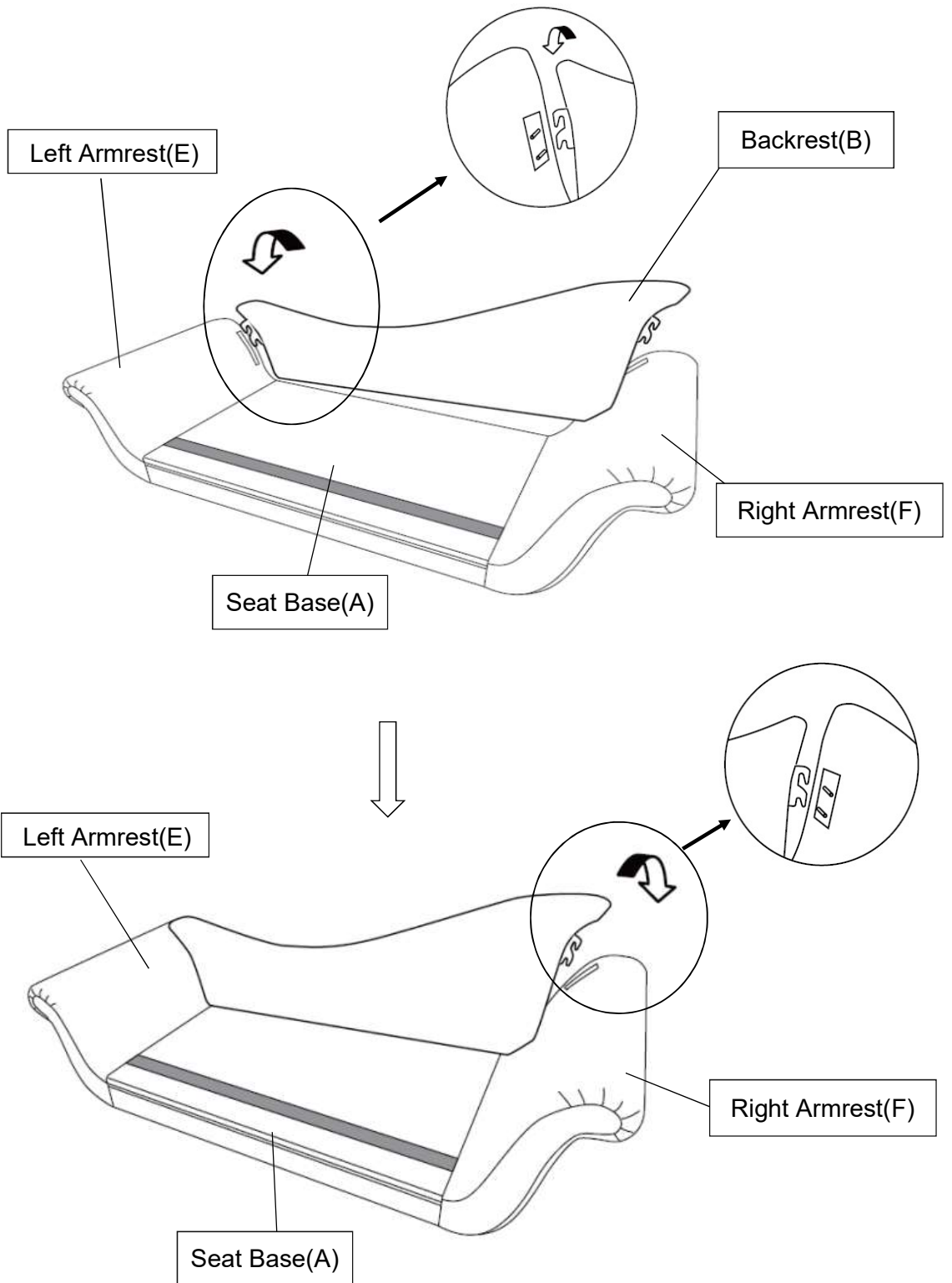
Open the carton and place all the parts on a clean, non-marring surface.
Position Seat Base(A) as shown. Attach the Right Armrest(F) to Seat Base(A), using Bolt(②), Spring Washer(④), Flat Washer(③) and turning clockwise by hand.
DO NOT over tighten.

Step 2



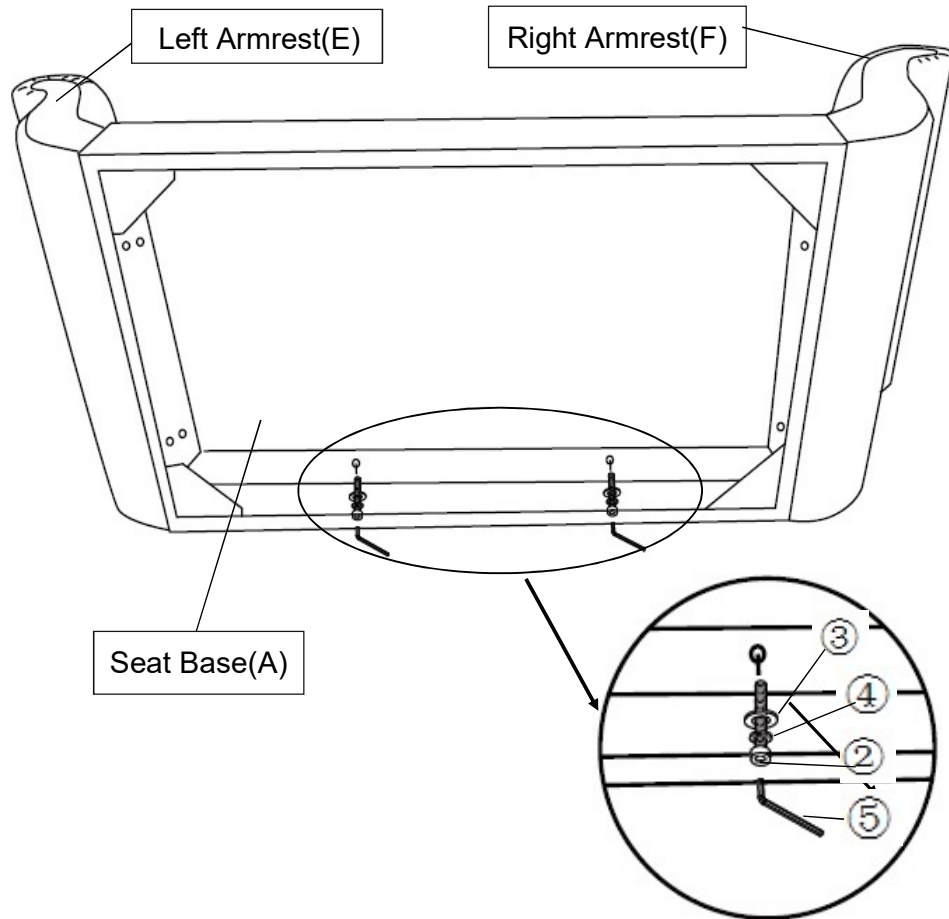
Attach the Left Armrest(E) to Seat Base(A) using Bolt(②), Spring Washer(④), Flat Washer(③) and turning clockwise by hand .
DO NOT over tighten.

Step 3



Standing behind the Seat Base(A) while holding Backrest(B). Hang on the hook of Backrest(B) onto the Preserved bolt of Left Armrest(E) as shown above, make sure two hooks are both on top of Preserved bolt.
Repeat the same step to install the another side onto the hook of Right Armrest(F).

Step 4

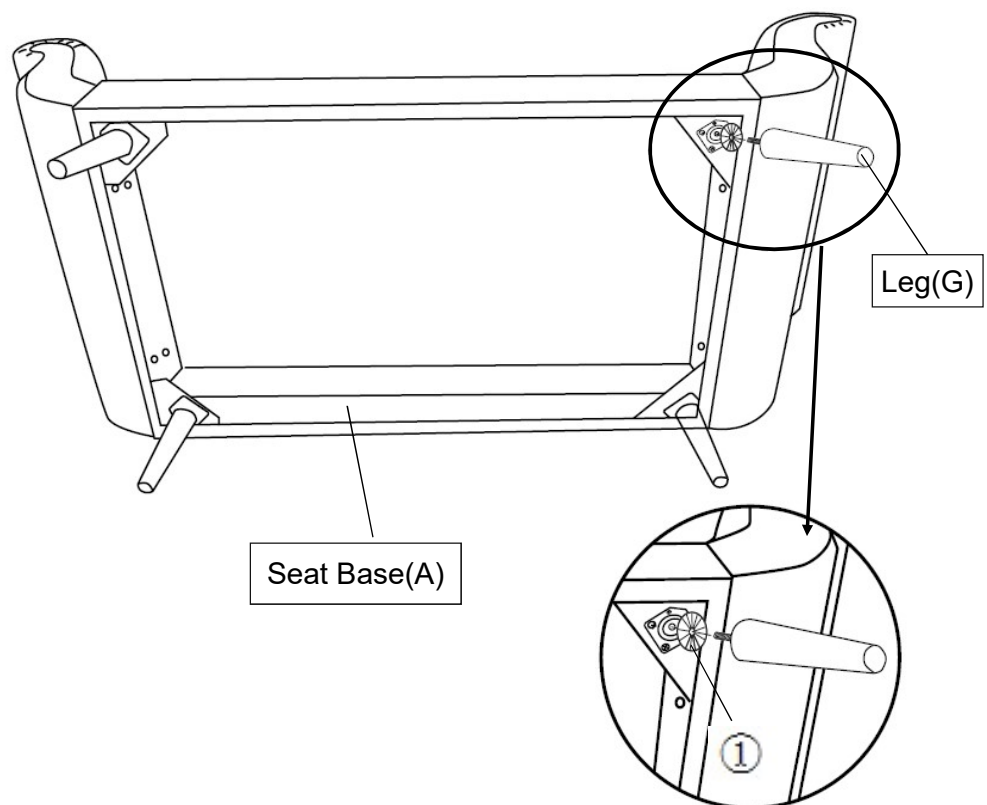


Position the Seat Base(A) as shown above.

Attach the Backrest(B) to the Seat Base(A) using Bolt(2), Spring Wash(4), Flat Washer(3), with Allen Key(5) turning clockwise until tight.

Tighten all Bolt(2) in the Right Armrest(F) and Left Armrest(E) with Allen Key(5).

Step 5

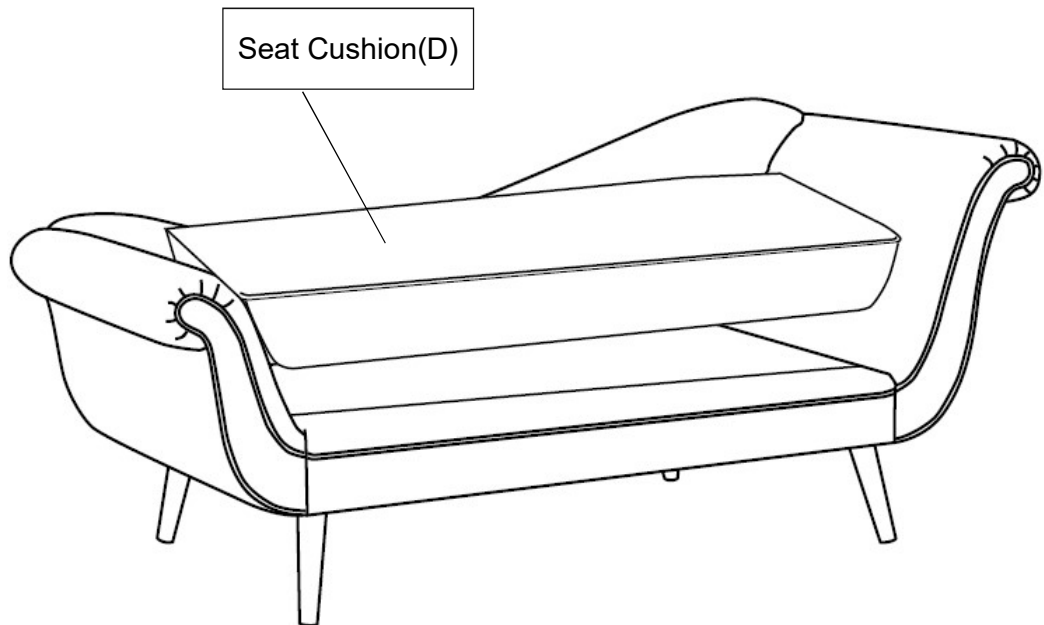


Install the Leg(G) into the bottom of Seat Base(A) by placing Plastic Washer(①) on the threaded stem. Then insert threaded stem into the threaded mounting position at the bottom of Seat Base(A). Tighten by turning the Leg clockwise.

Repeat the same step to install remaining Legs.

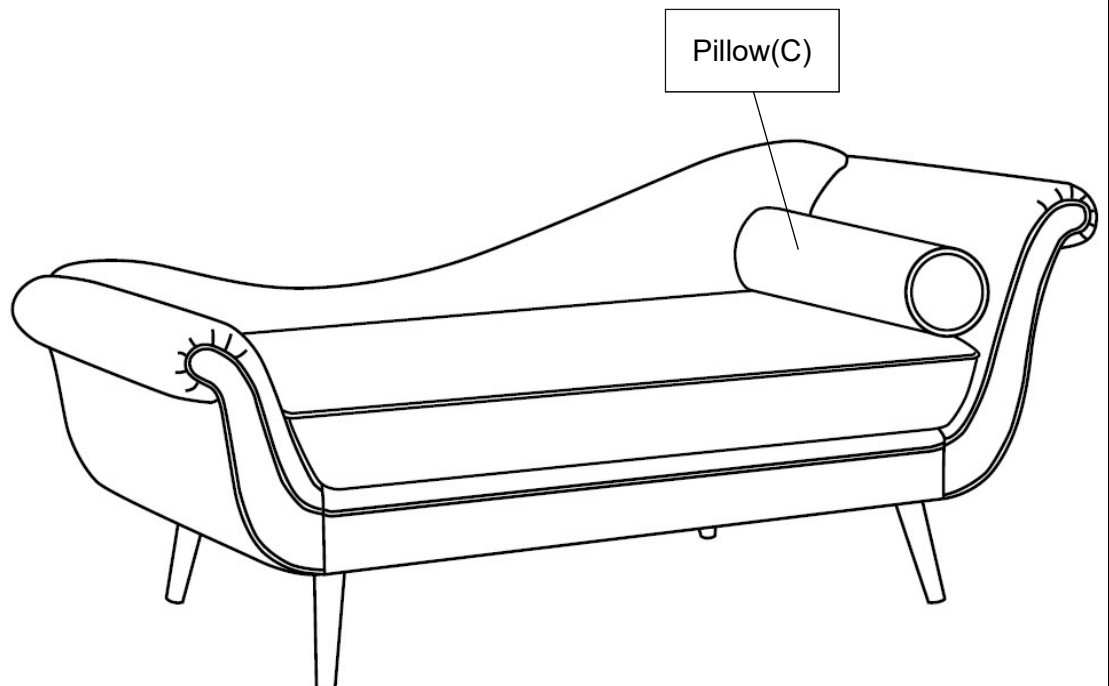
Note: The use of Plastic Washer(①) are OPTIONAL and are especially useful to help alleviate slight wobbles. Some Legs may need more than one whilst some legs may not need any.

Step 6



Position the Chaise to its upright position.
Place the Seat Cushions(D) on the Chaise.












Step 7



Put the Pillow(C) on the Chaise as shown above.
Your Chaise is ready for use.

This Chaise can only be used on a flat, level surface.

Care & Maintenance

- ✓  • Furniture may scratch floors. We recommend using furniture pads to protect your floors.
- ⊘  • Do not put hot items directly on furniture surface.
- ⊘  • Do not clean furniture with harsh cleansers or polish.
- ⊘  • Do not place furniture under direct sunlight.
- ⊘  • Do not place furniture near heating or cooling vents.
- ⊘  • Do not write on furniture without a padded barrier to protect the surface.
- ⊘  • Do not place furniture outside . For indoor use only.
- ⊘  • Not for commercial use. For residential use only.
- ⊘  • Stains may be removed with mild soap solution and damp cloth.
- ⊘  • Children should not climb or jump on the furniture.
- ✓  • Dust and pick-up spills using a clean, non-colored, lint-free cloth.