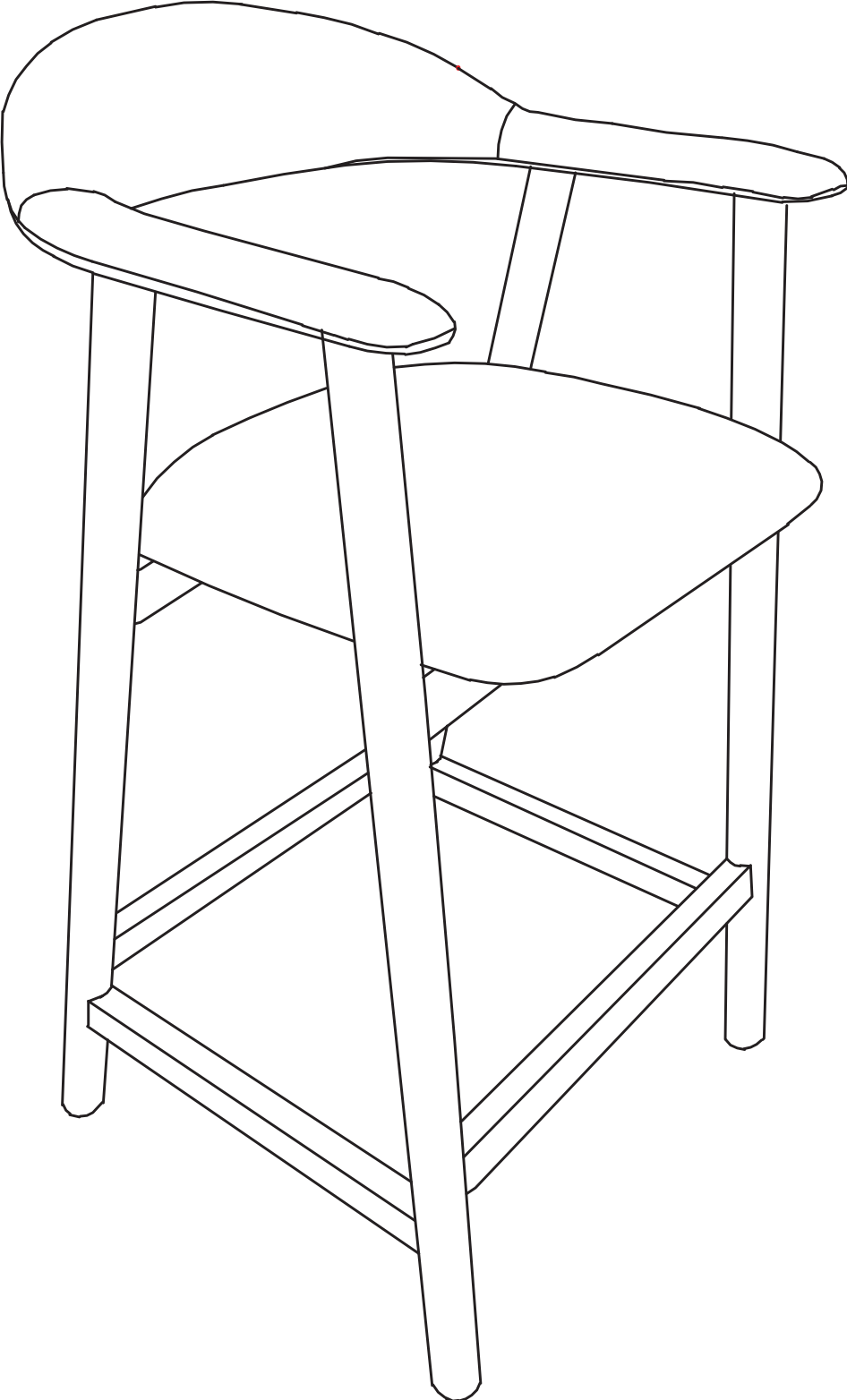
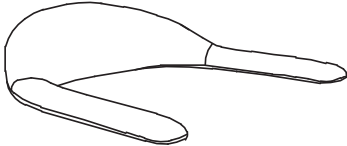
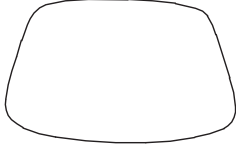
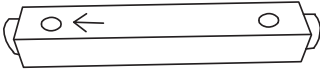
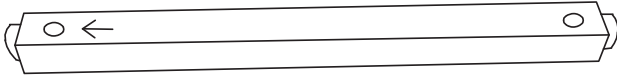



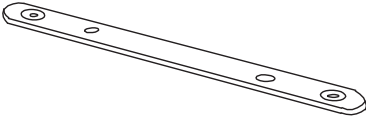









# ASSEMBLY INSTRUCTION

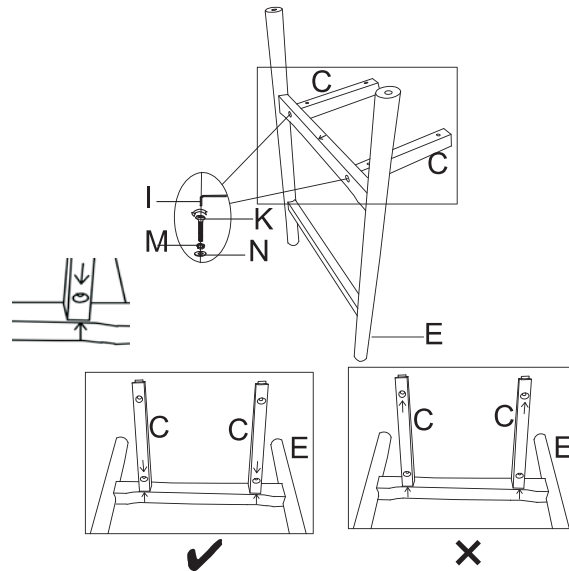


A		1
B		1
C		2
D		2
E	 <p data-bbox="884 1048 1099 1086">FRONT LEG</p>	1
F	 <p data-bbox="890 1263 1102 1301">BACK LEG</p>	1
G		4
H		2
I	 <p data-bbox="703 2018 751 2051">M5</p>	1

J	 M6*16	8
K	 M6*35	4
L	 M6*45	8
N		8
M		8
O	 M6	1

1.

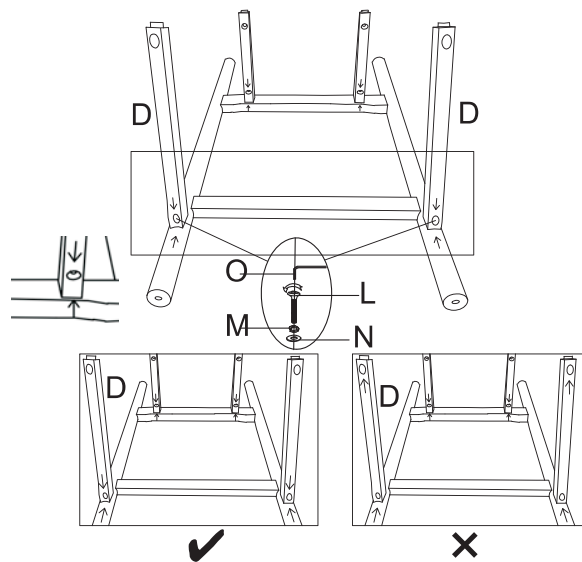
K x 4: M6\*35MM I x 1: M5



Please install screw K to 50% .

2.

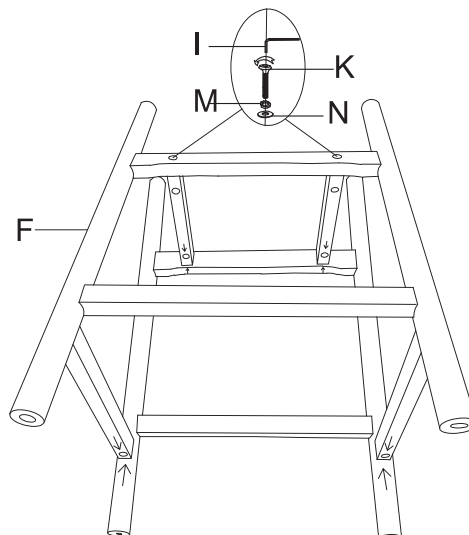
L x 4: M6\*45MM O x 1: M6



Please install screw L to 50% .

3.

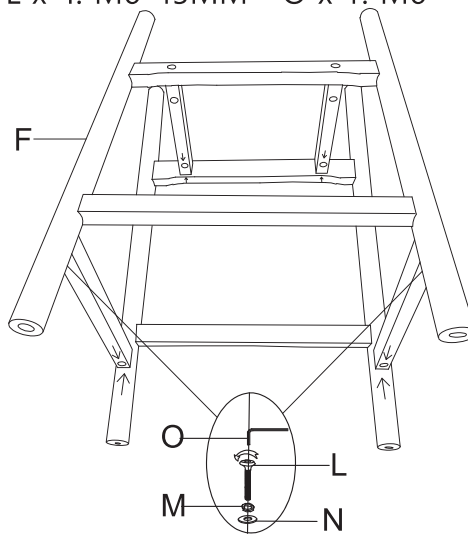
K x 4: M6\*35MM I x 1: M5



Please install screw K to 50% .

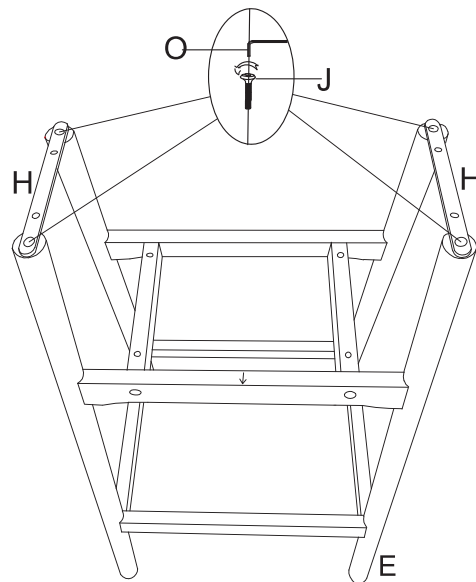
4.

L x 4: M6\*45MM O x 1: M6



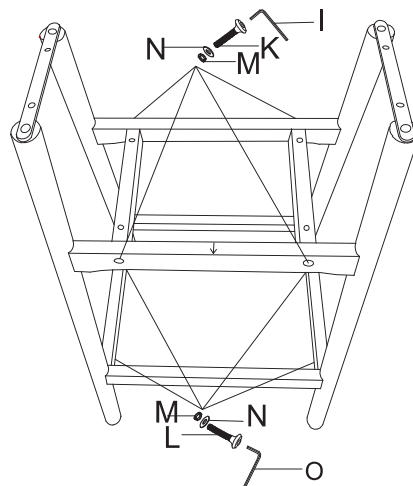
Please install screw L to 50% .

5.

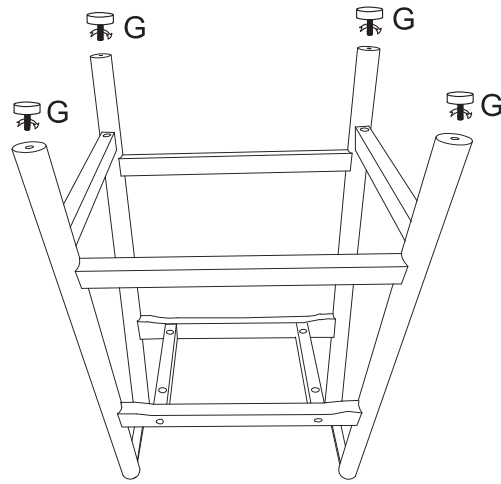


6.

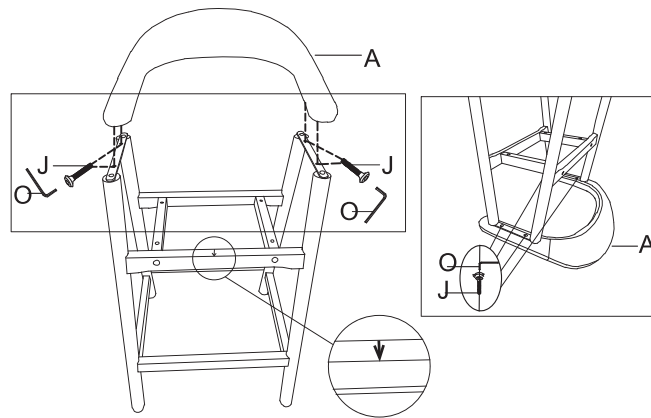
Please install screw K & L to 100%.



7.



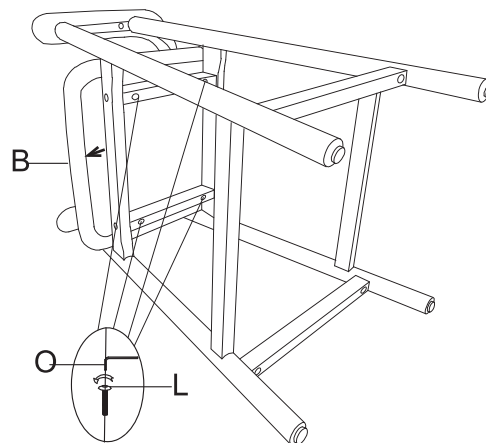
8.



Front leg

Make sure the backcushion (A)  
face to front

9.



10.



use G to adjust the length and ensure they are stable on the floor.

11.

