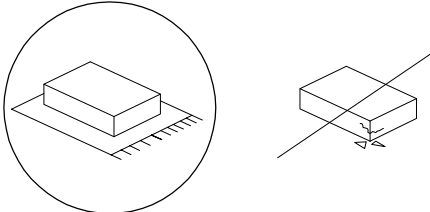
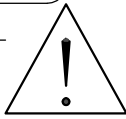

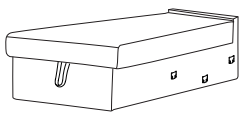
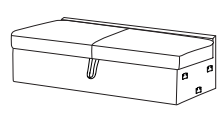
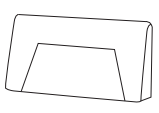
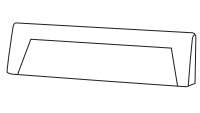
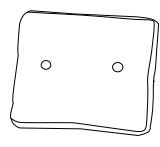
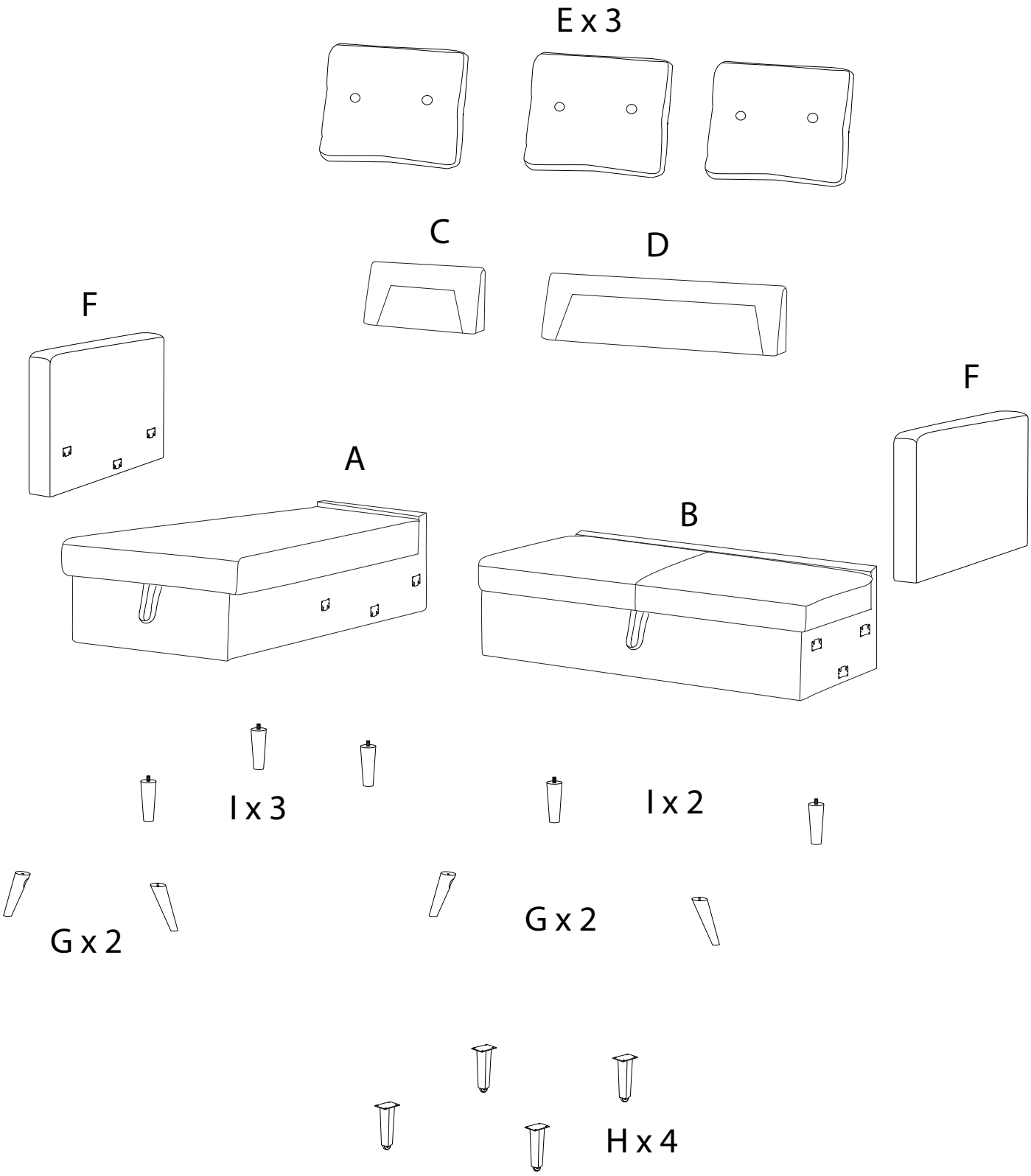

		45'
		
		1

A	B	C	D	E
				
x1	x1	x1	x1	x3



F



x 2

G



x 4

H



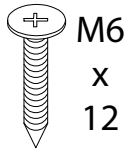
x 4

I



x 5

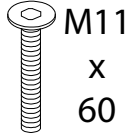
J



M6
x
12

x 16

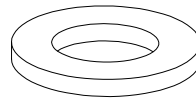
K



M11
x
60

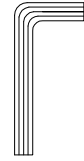
x 4

L



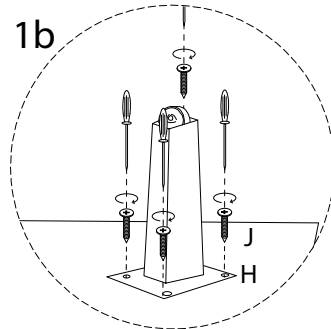
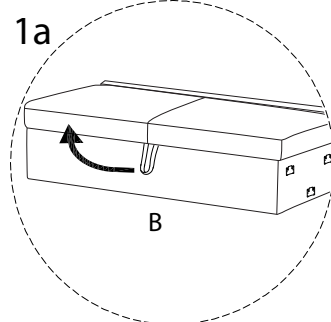
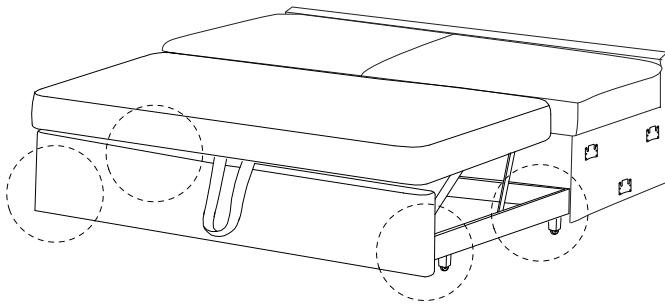
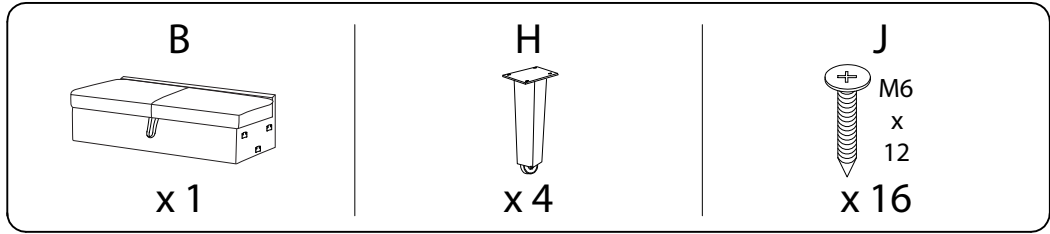
x 4

M

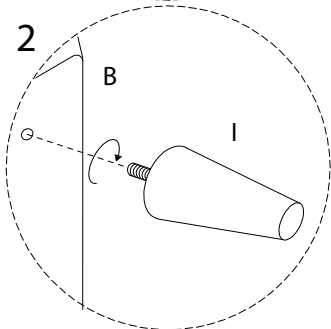
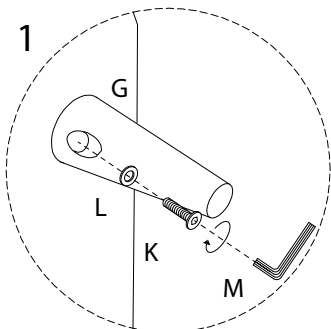
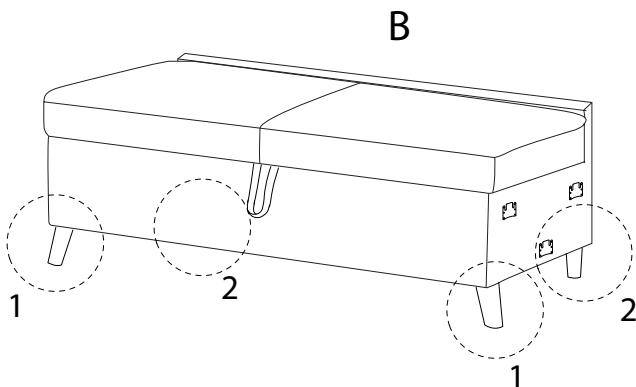
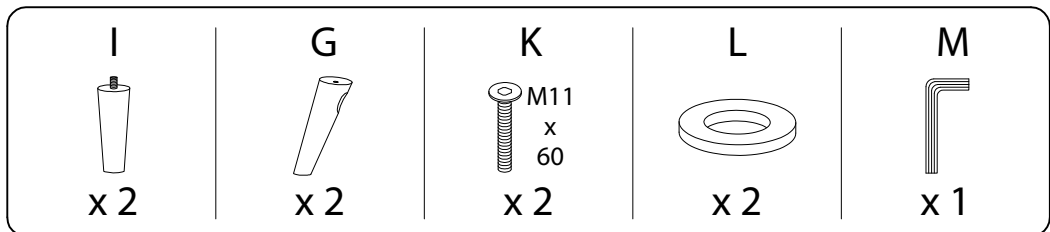


x 1

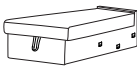


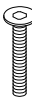
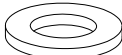
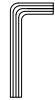
1

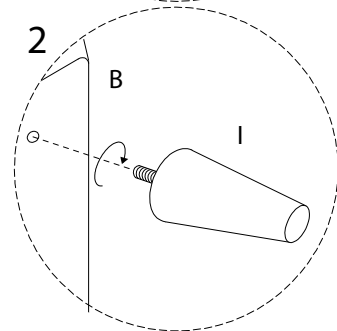
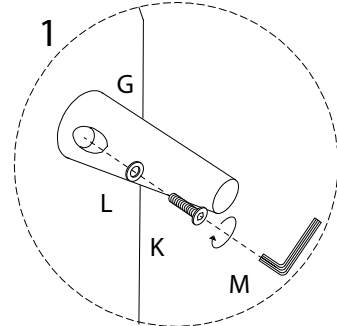
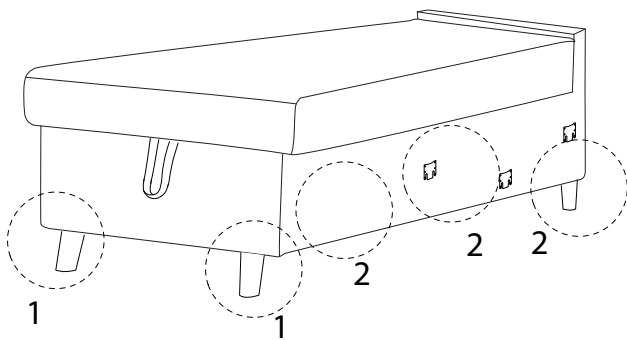


2

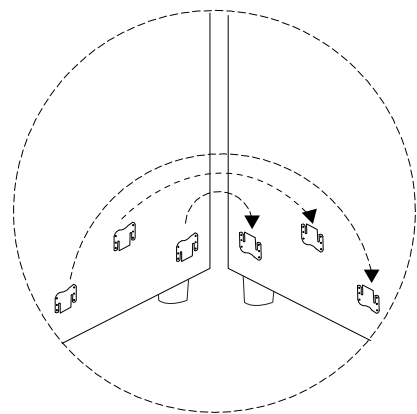
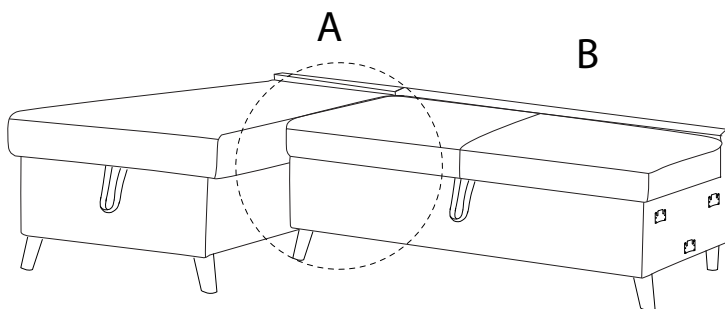


3

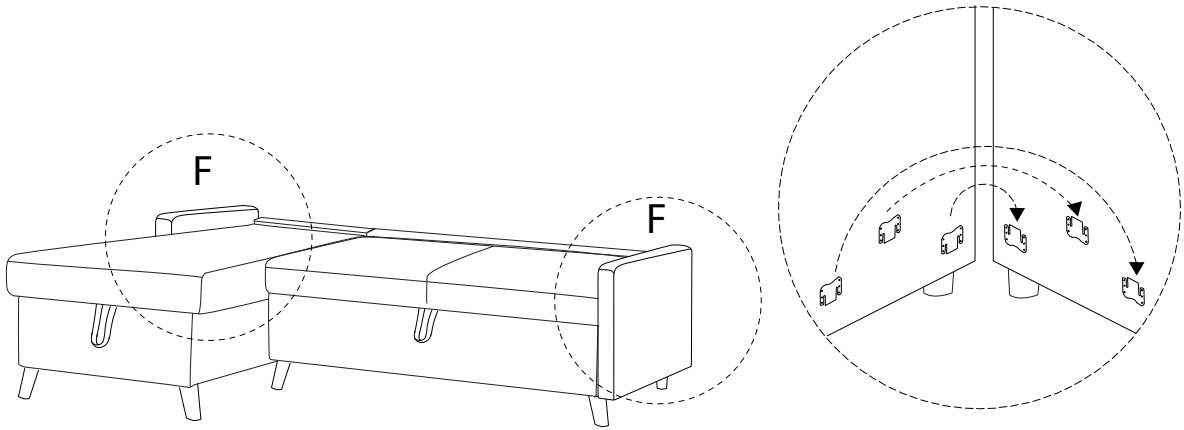
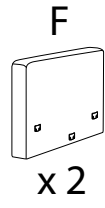
A  x 1	I  x 3	G  x 2	K  M11 x 60 x 2	L  x 2	M  x 1
--	--	--	--	--	--



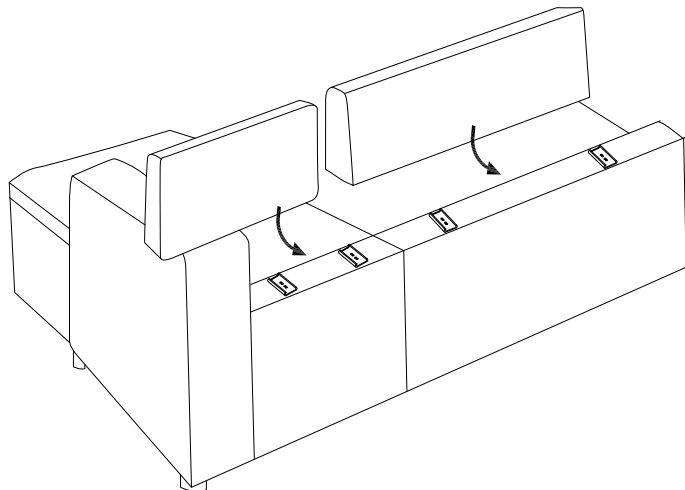
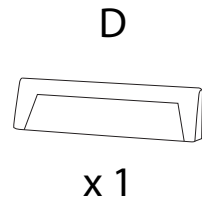
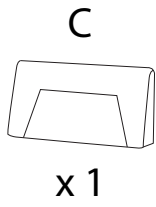
4



5

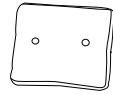


6



7

E



x3

