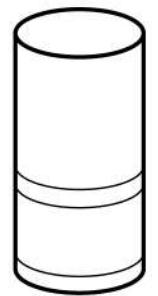
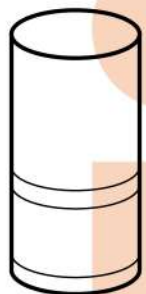


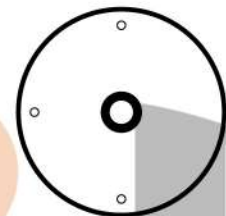
ASSEMBLY INSTRUCTION



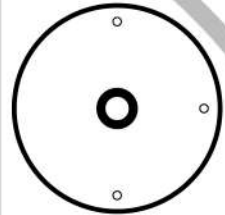
A1 x (1PCS)



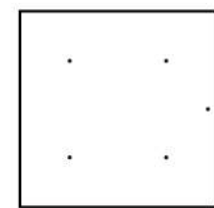
A2 x (1PCS)



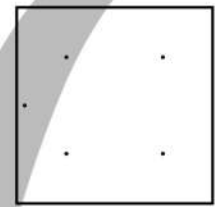
B1 x (1PCS)



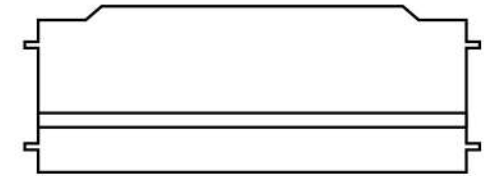
B2 x (1PCS)



C1 x (1PCS)



C2 x (1PCS)



D x (1PCS)



① x (Some PCS)



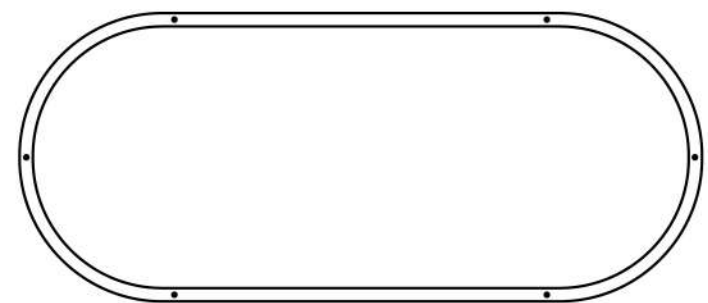
② x (6PCS)



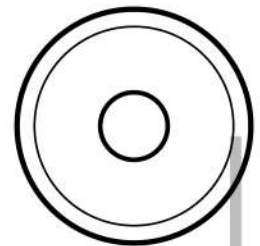
fornt side



back side



E x (1PCS)



③ x (2PCS)



④ x (2PCS)

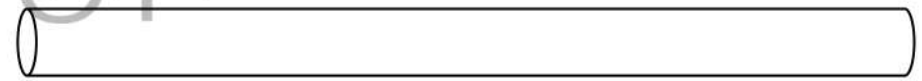


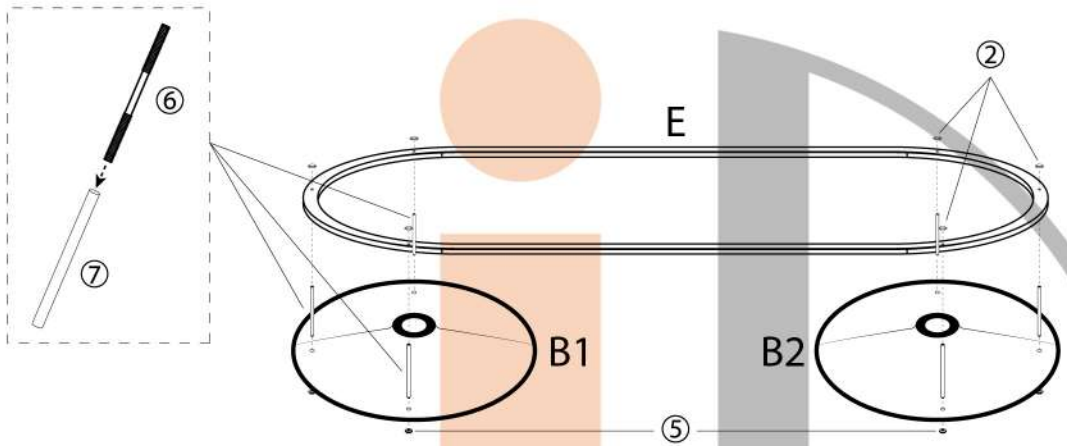
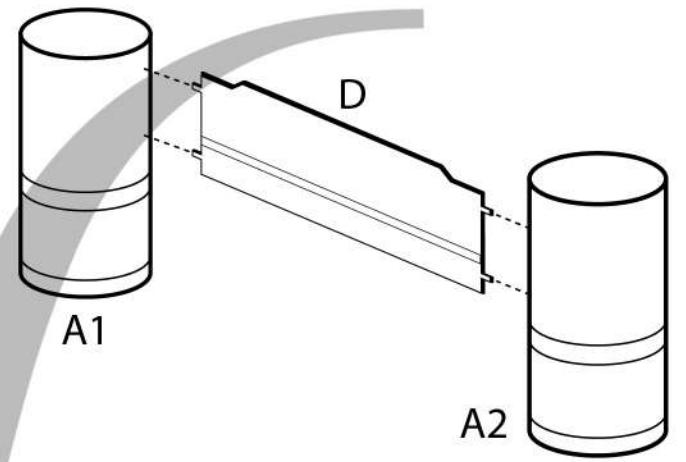
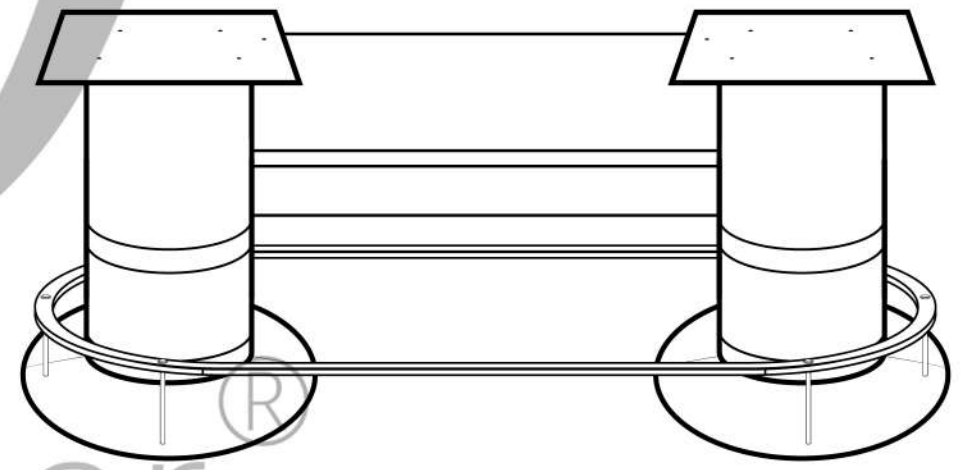
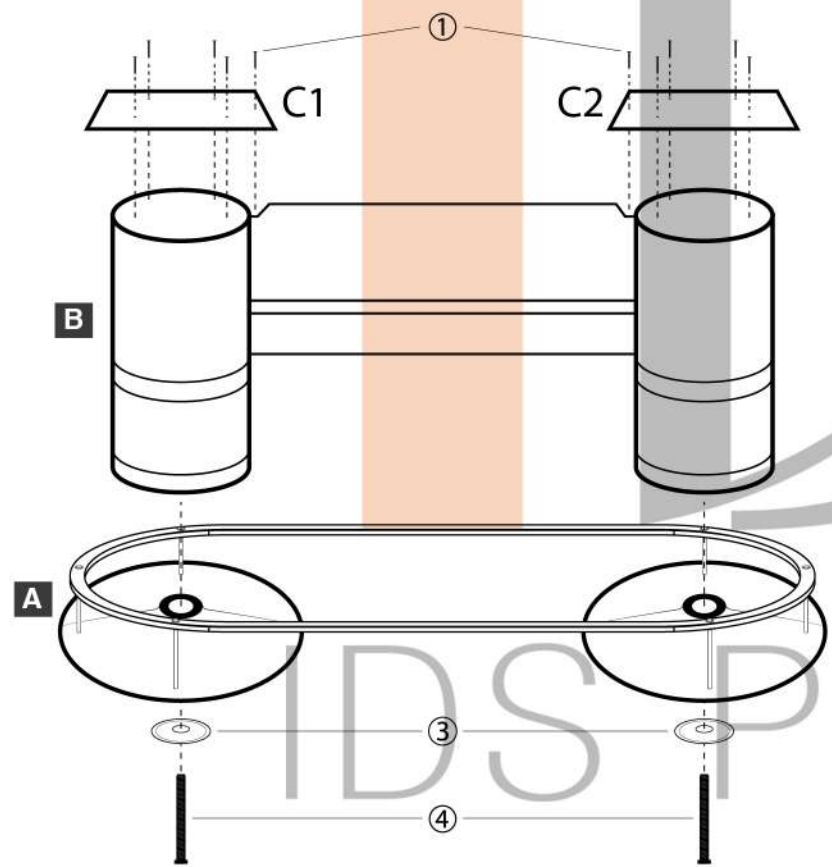
⑤ x (12PCS)

⑥ x (6PCS)

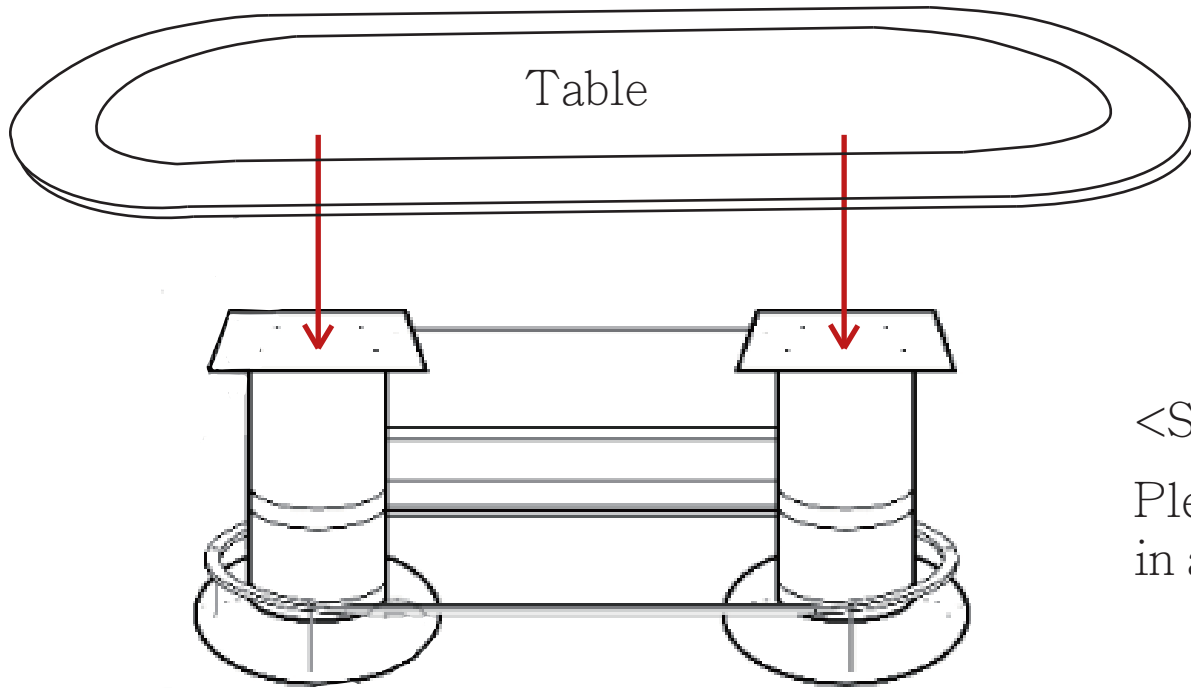


⑦ x (6PCS)



A**B****C**

How to connect the base and the top

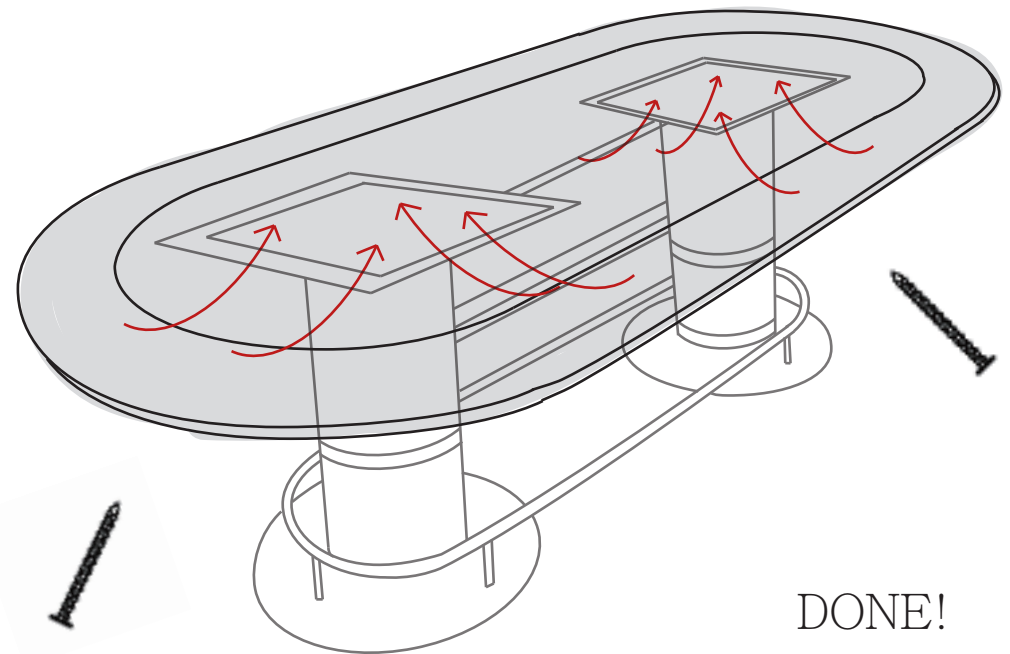


<STEP 1>

Please put the table onto the base in a perfect position.

<STEP 2>

Tighten the screw① from the bottom of pedestal legs plate(C1/C2) until it screw into the table's beneath.

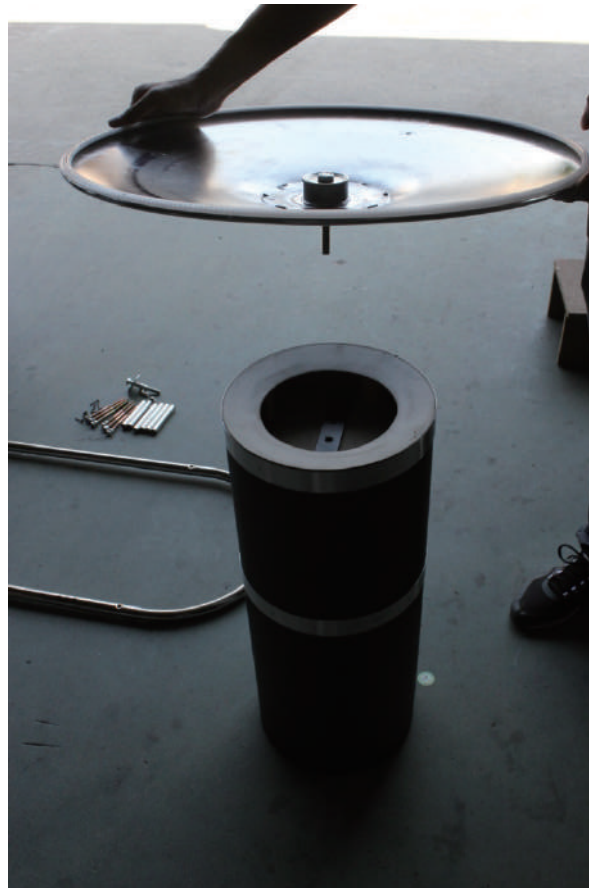
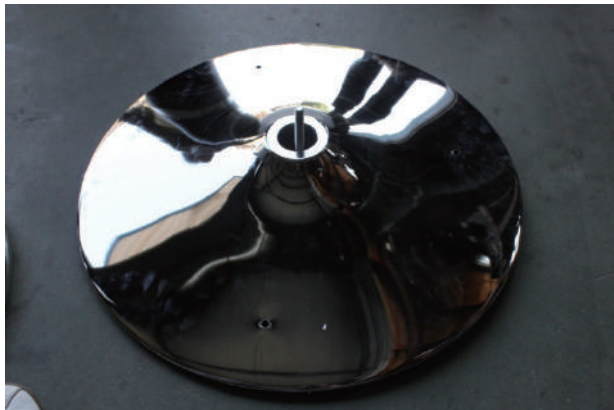


Check all units

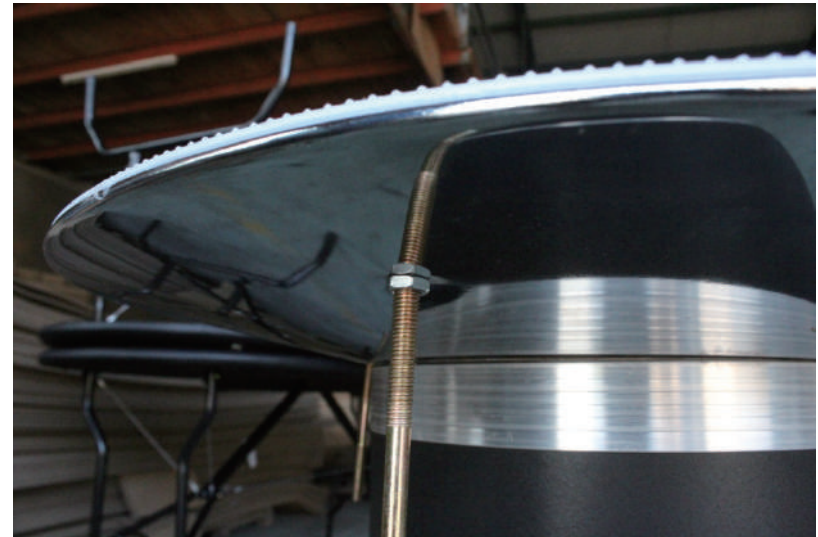
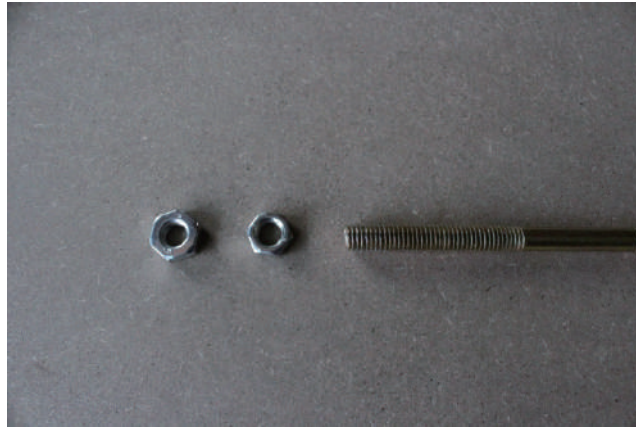
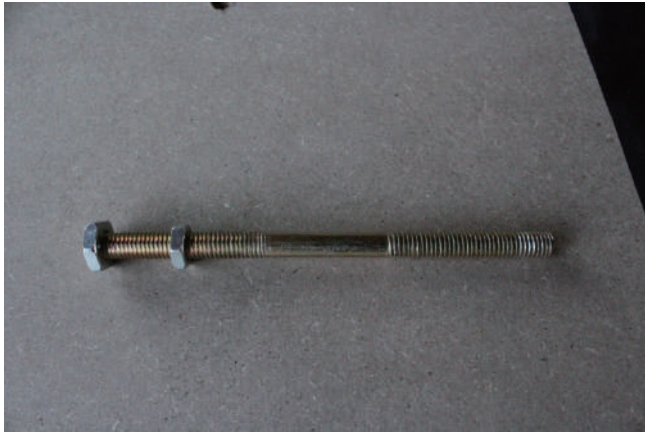
How to install the Pedestal leg

Please install the legs step by step as below

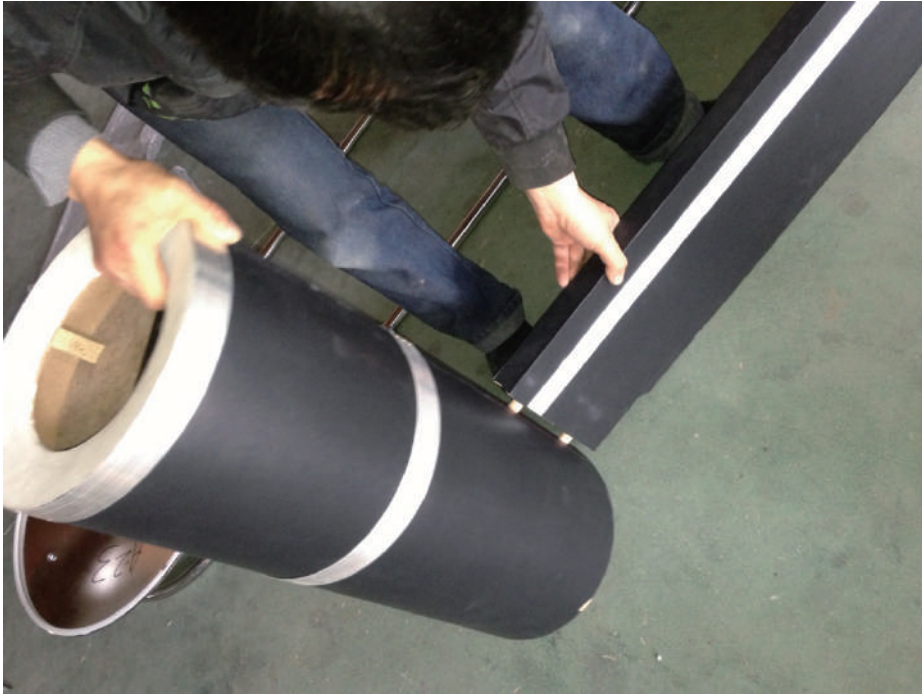




Tightening the screw and repeat step for another cylinder.



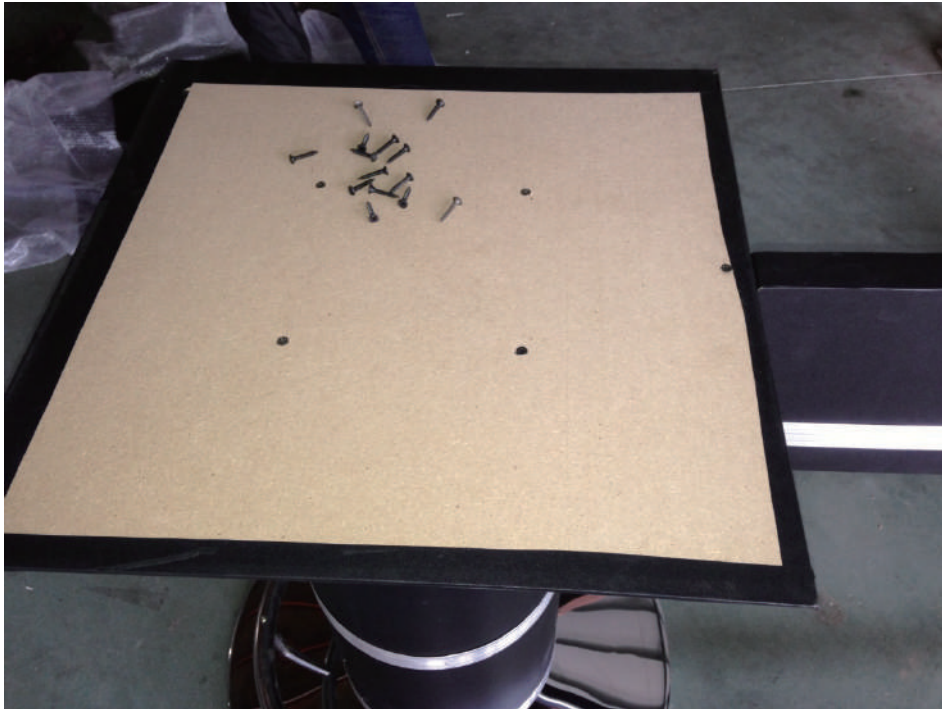
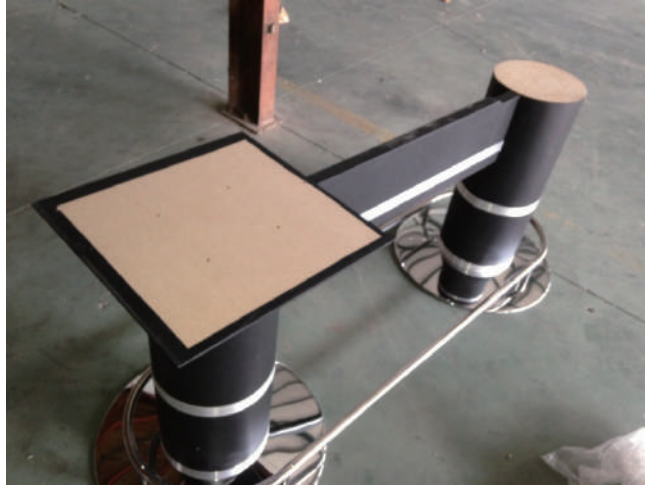
Two nuts clamp two side of the disc,
and repeat this step for others.



Install the rung between the cylinders.



Pass all the metal bars through the footrest's hole and screw them tight with the nut head.



Place the plate on the cylinder
and screw 5 screws on each.