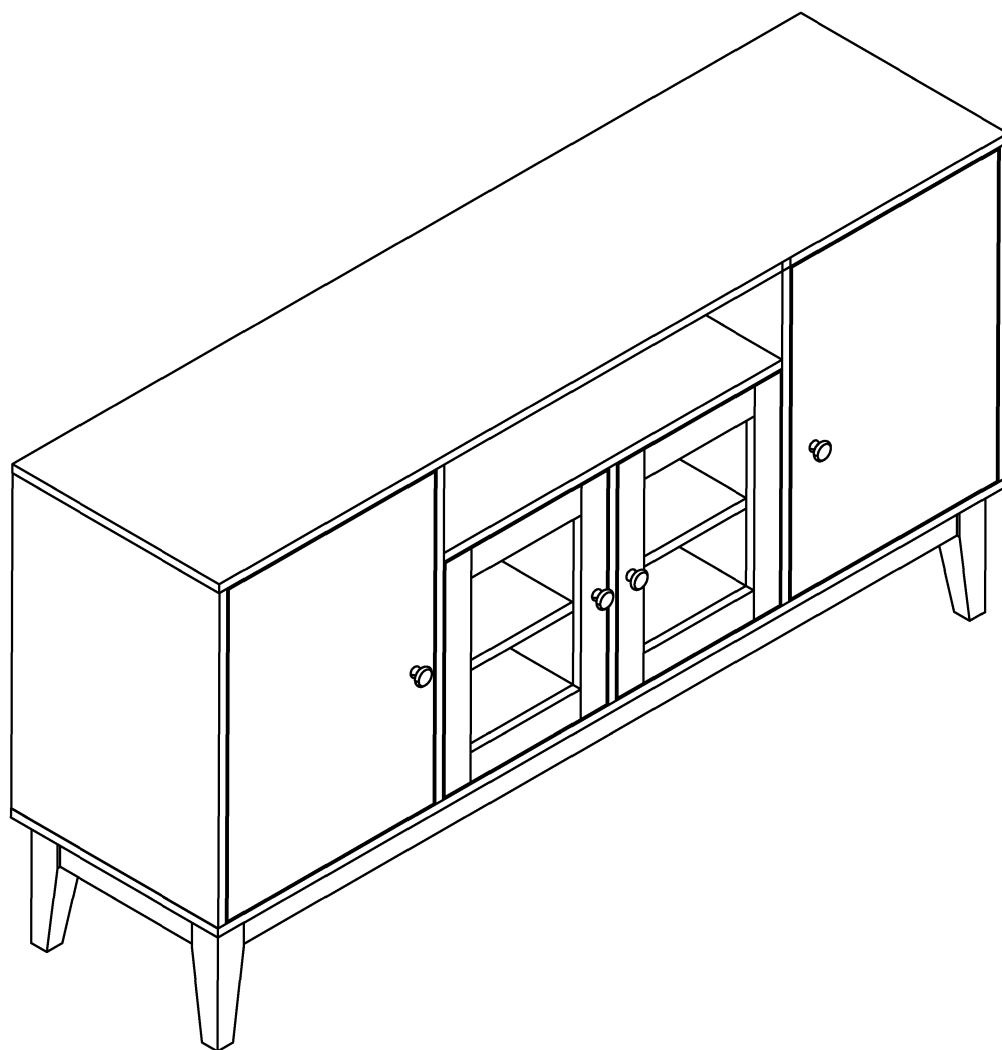
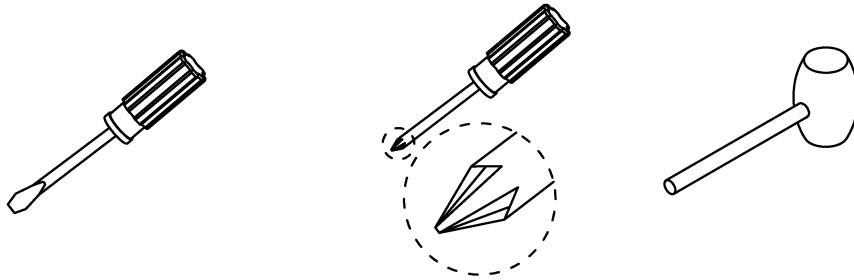


# ASSEMBLY INSTRUCTIONS

## TV STAND

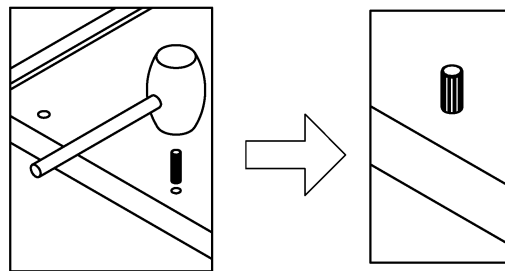


## ASSEMBLY TOOLS REQUIRED (NOT INCLUDED)

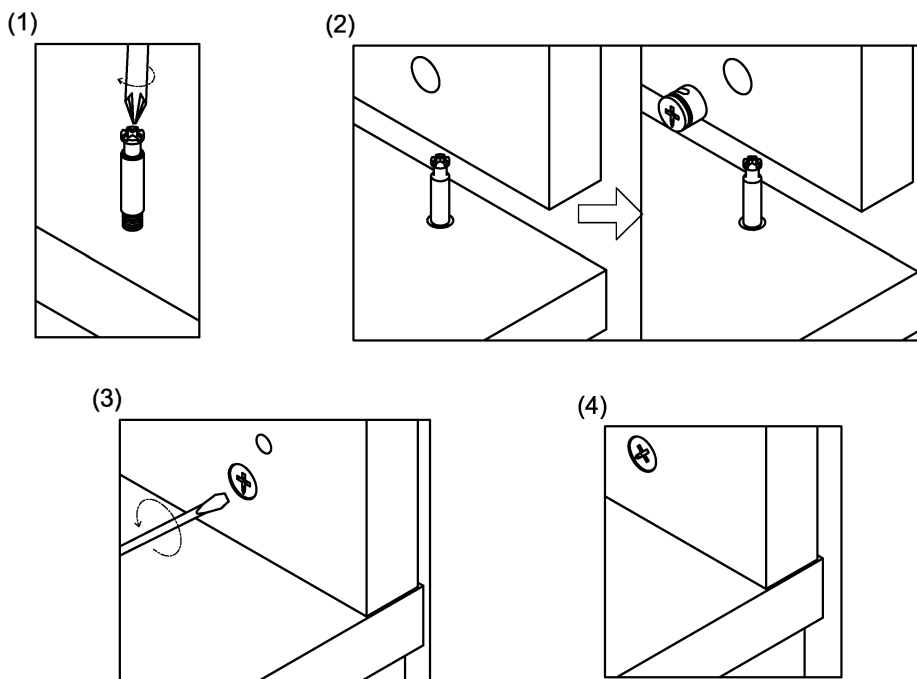


## WOODEN DOWEL INSTALLATION PROCEDURE

Gently tap dowel into hole with rubber mallet

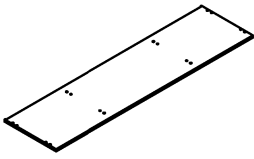
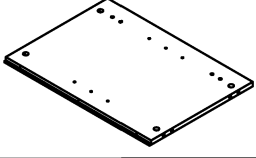
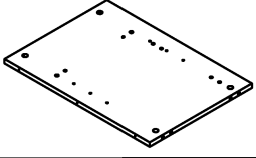
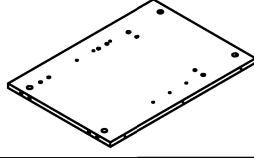
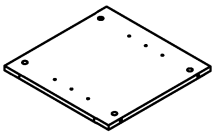
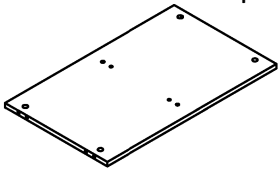
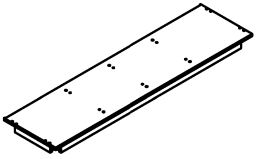
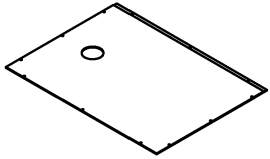
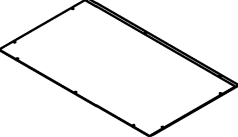
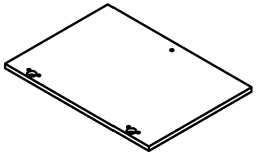
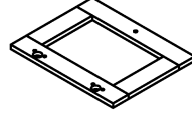
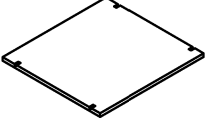
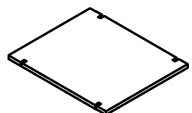



## HIDDEN CONNECTOR.....ASSEMBLY TECHNIQUES



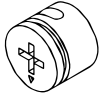





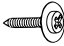
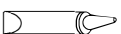
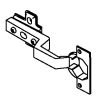


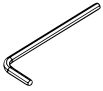




# PARTS LIST

## A Carton part list





<p>A:Top panel 1 pc</p> 	<p>B:side panel 2 pc</p> 	<p>c:Left mid panel 1 pc</p> 	<p>D:Right mid panel 1 pc</p> 
<p>E:Partition 1 pc</p> 	<p>F: Fixed Shelf 1 pc</p> 	<p>G: Bottom panel 1 pc</p> 	<p>I: Left Back panel 2 pc</p> 
<p>H: Mid Back panel 2 pc</p> 	<p>J: side door 2 pc</p> 	<p>K: mid door 2 pc</p> 	<p>L: side adjustable shelf 2 pc</p> 
<p>M: Mid adjustable shelf 2 pc</p> 	<p>N: leg 4 pc</p> 	<p>HARDWARE PKG 1 pc IA 1 pc</p>	

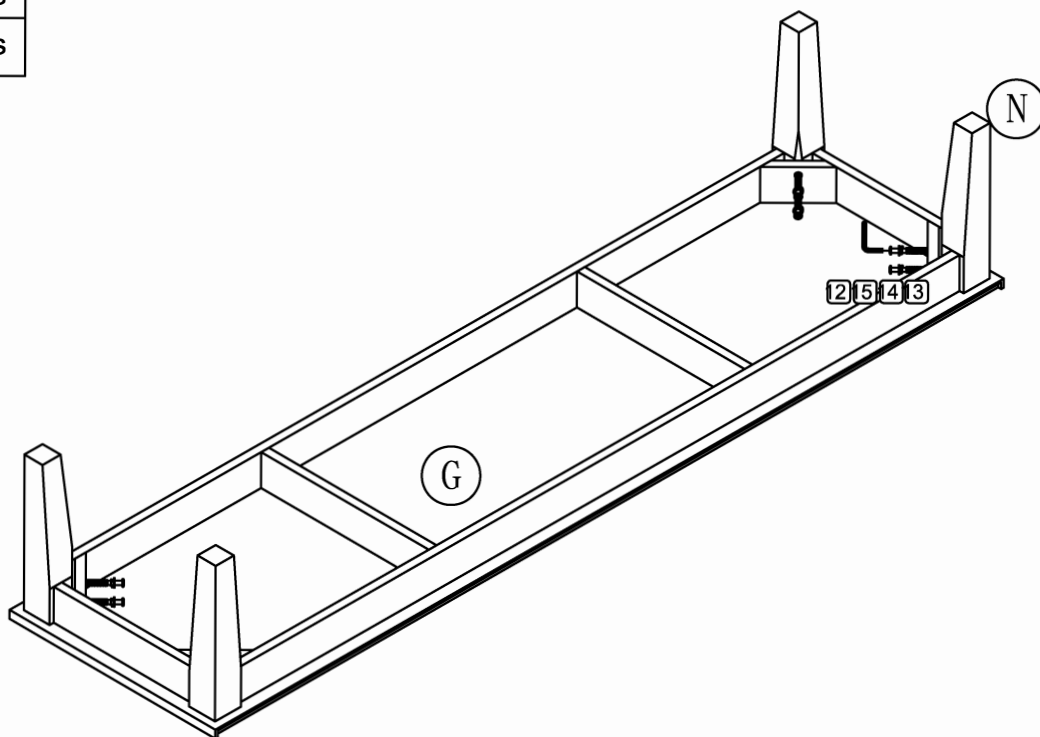
## PARTS LIST

### HARDWARE LIST


<p>1:Cam lock 24pcs</p>  <p style="text-align: center;">Ø15*11.5</p>	<p>2:Cam bolt 24 pcs</p>  <p style="text-align: center;">Ø6*35</p>	<p>3:Wood plug 24 pcs</p>  <p style="text-align: center;">Ø8*30</p>	<p>4.Shelf support pin 16pc</p>  <p style="text-align: center;">Ø8x5x16</p>
<p>5:Pull knob 4 pcs</p>  <p style="text-align: center;">Ø24*21</p>	<p>6:Screw 4 pcs</p>  <p style="text-align: center;">Ø4x18</p>	<p>7:Wood screw 34 pcs</p>  <p style="text-align: center;">Ø3.0*12</p>	<p>8: Glue tube 3pc</p> 
<p>9.Hinge 8pcs</p>  <p style="text-align: center;">Ø26</p>	<p>10.Screw 32pcs</p>  <p style="text-align: center;">Ø4.0*12</p>	<p>11.Sticker 20 pcs</p> 	<p>12.Hexagon socket key 1pcs</p> 
<p>13.Spring washer 8pcs</p> 	<p>14.Washer 8pcs</p> 	<p>15.Bolt 8pcs</p>  <p style="text-align: center;">M6.0*40</p>	<p>16.Touch-up marker 1pcs</p> 

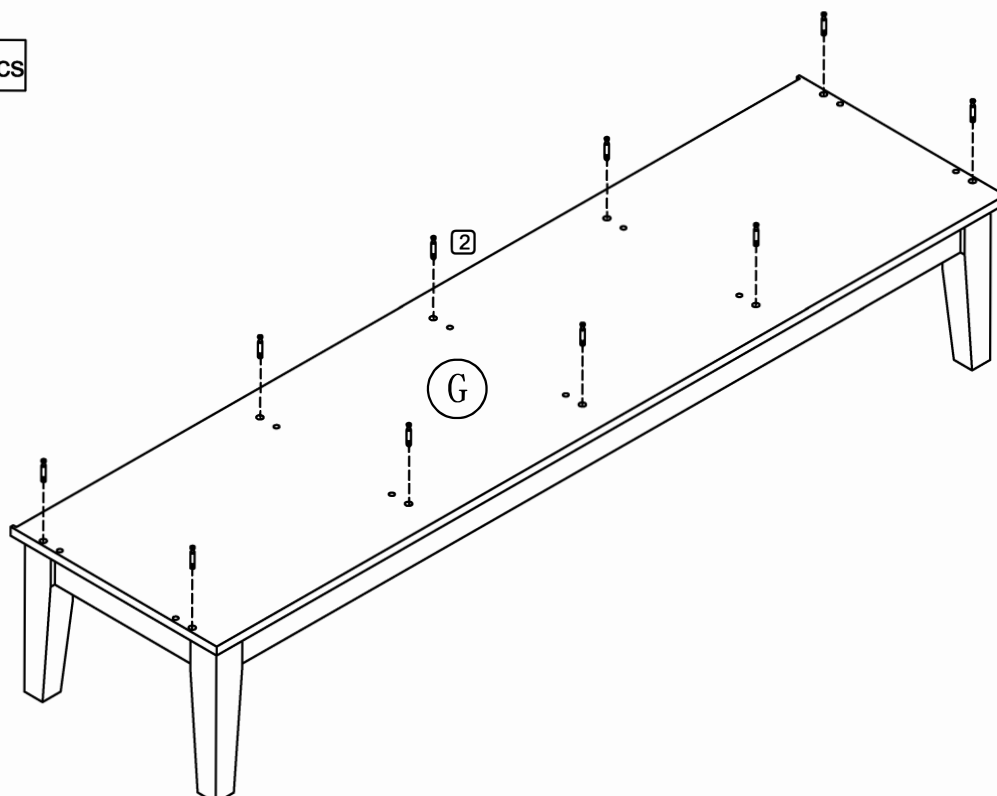
### Step 1

- 12:  1 pcs
- 13:  8 pcs
- 14:  8 pcs
- 15:  8 pcs





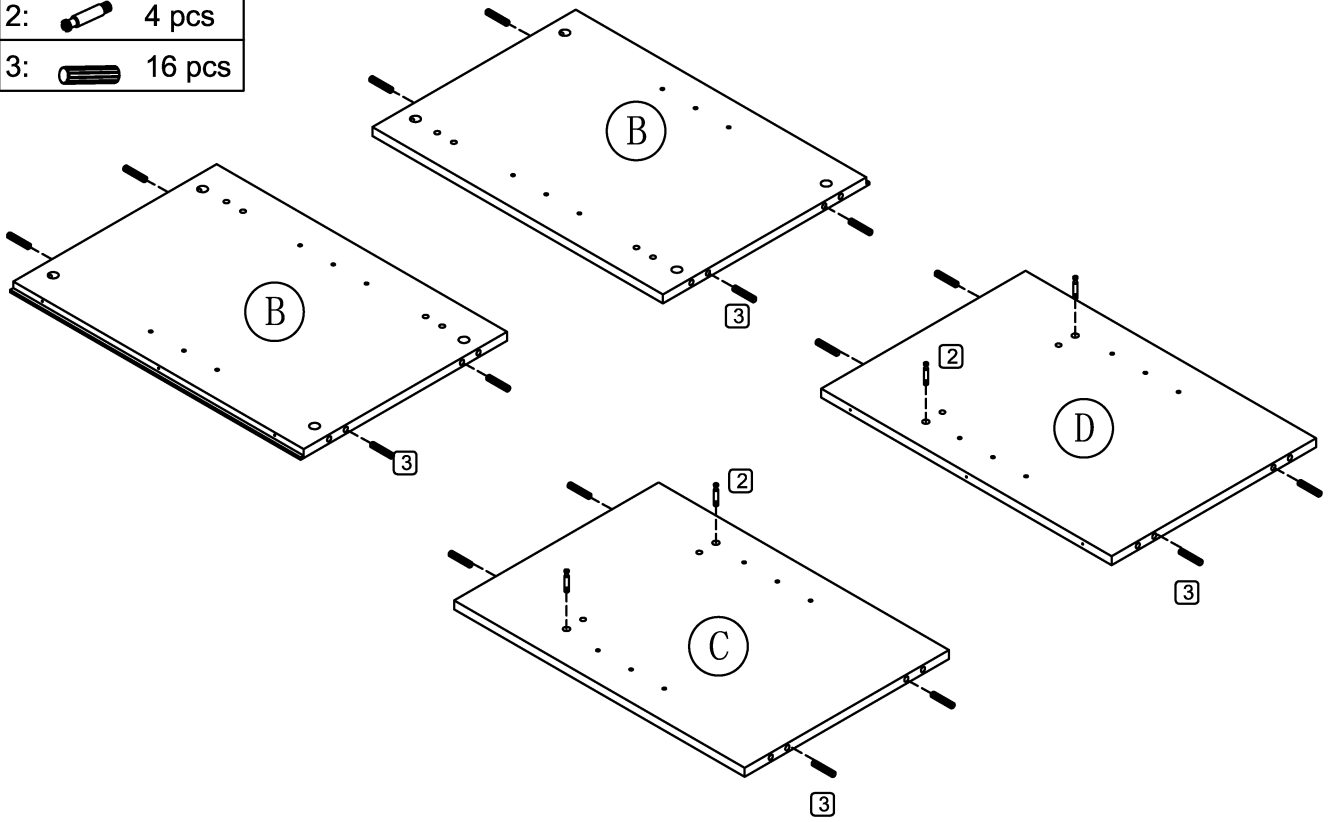
### Step 2

- 2:  10 pcs





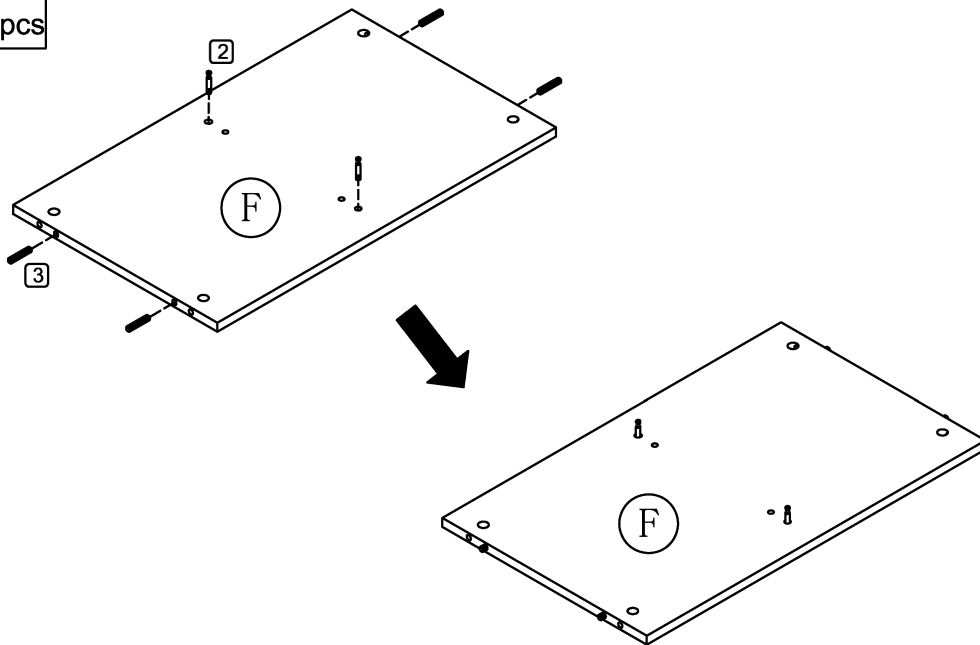
### Step 3

- |    |   |        |
|----|---|--------|
| 2: |  | 4 pcs  |
| 3: |  | 16 pcs |



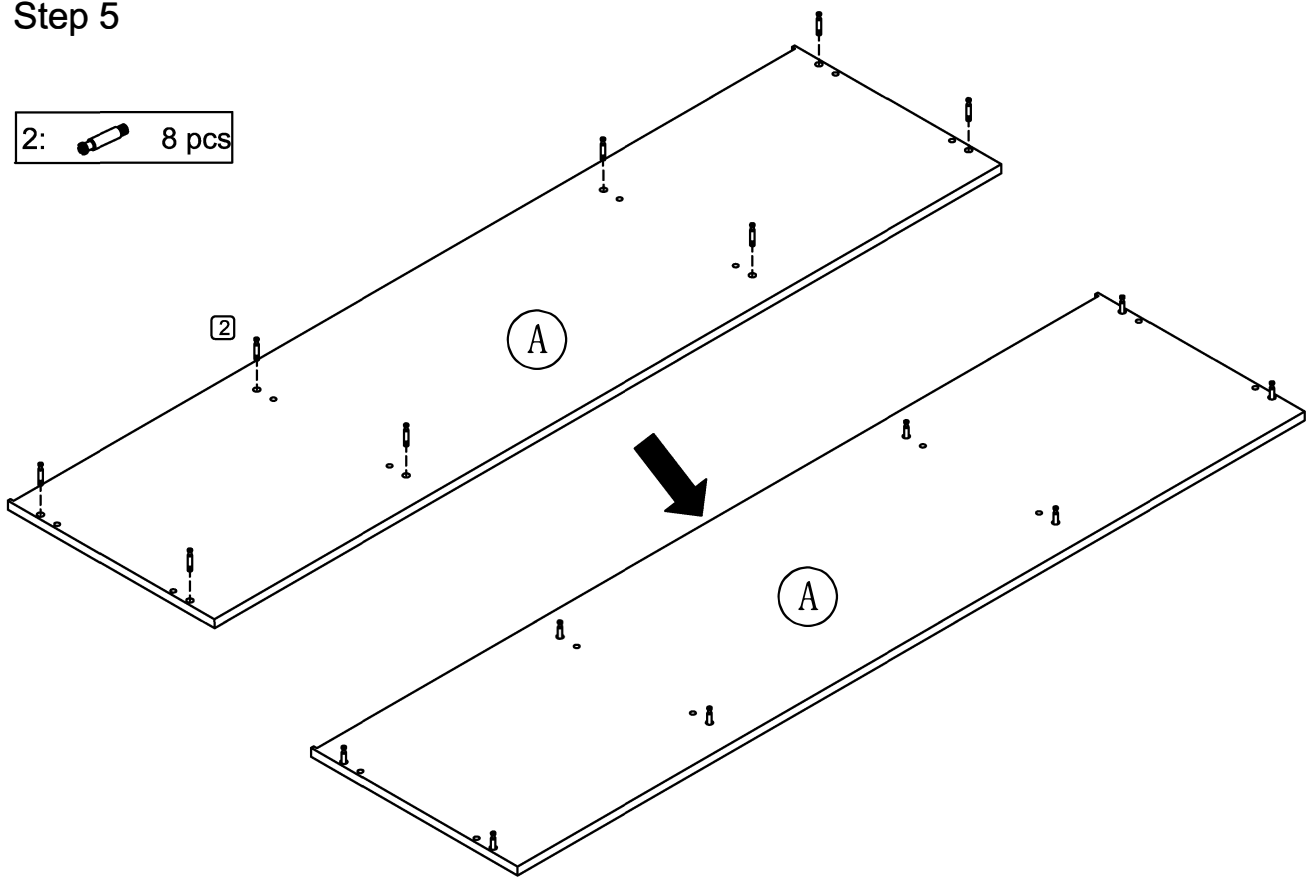
### Step 4

- |    |   |       |
|----|---|-------|
| 2: |  | 2 pcs |
| 3: |  | 4 pcs |



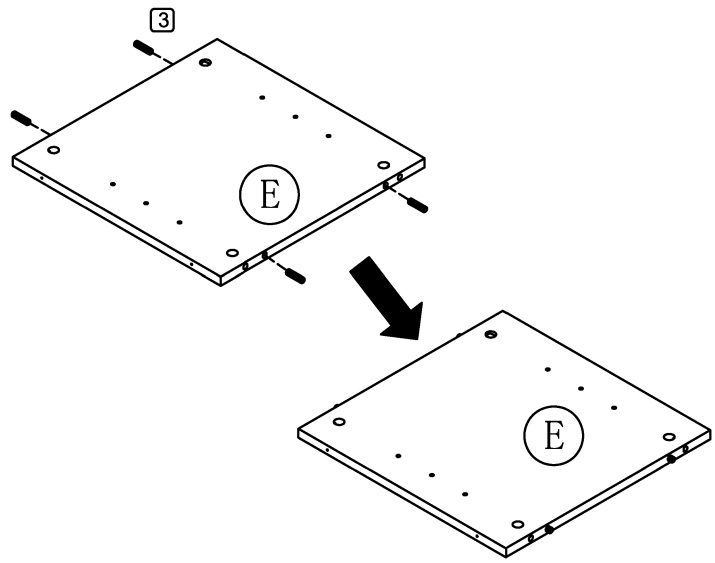
### Step 5

2:  8 pcs







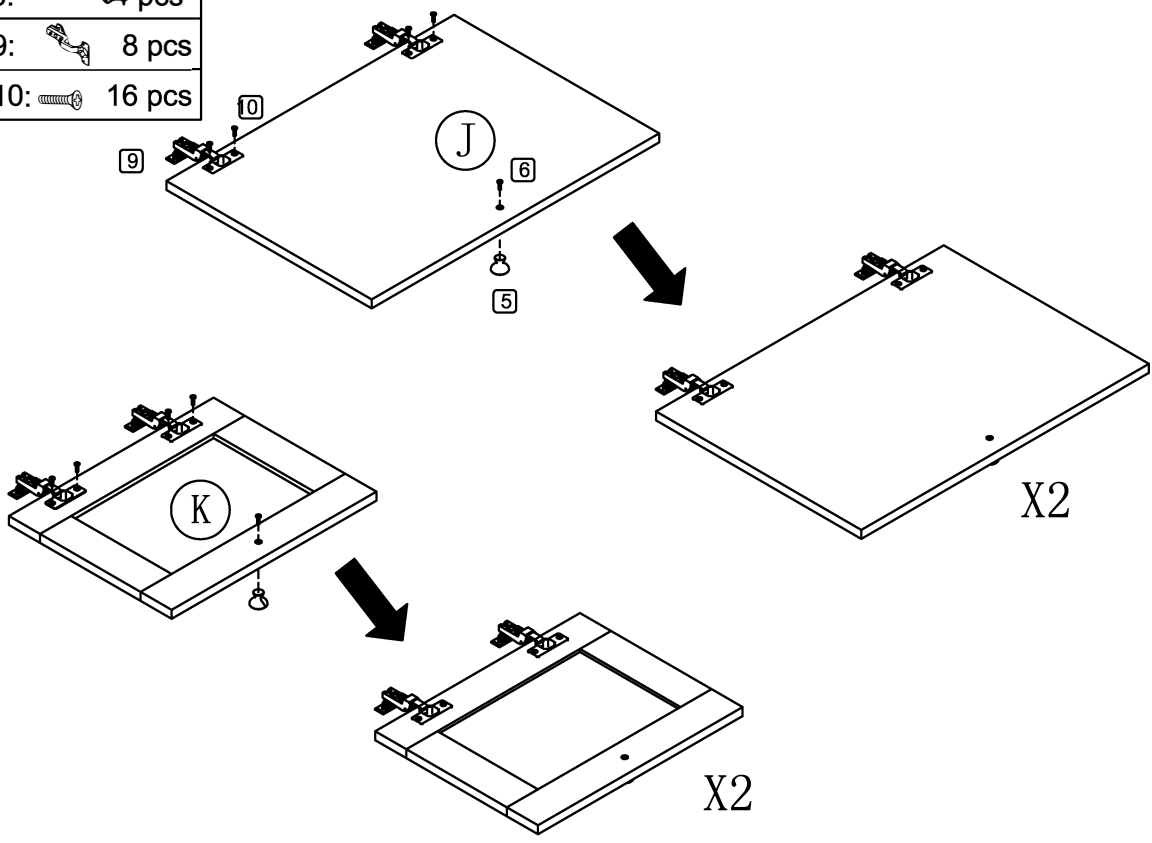
### Step 6

3:  4 pcs




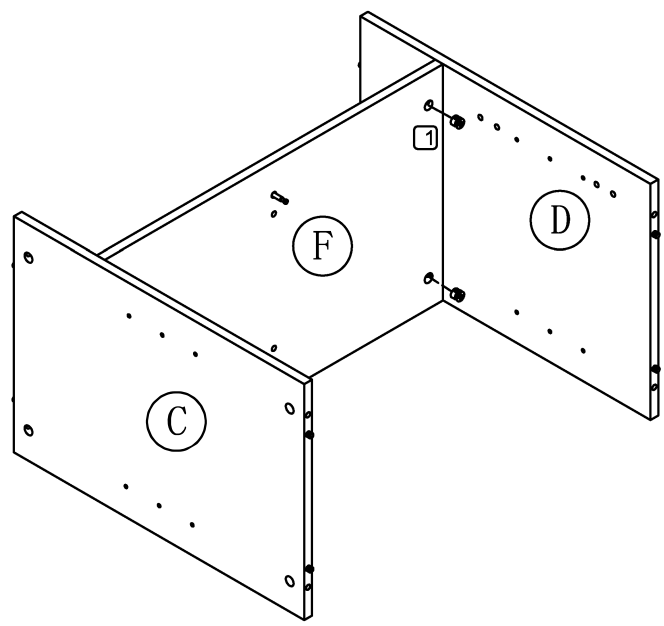
### Step 7

- 5:  4 pcs
- 6:  4 pcs
- 9:  8 pcs
- 10:  16 pcs




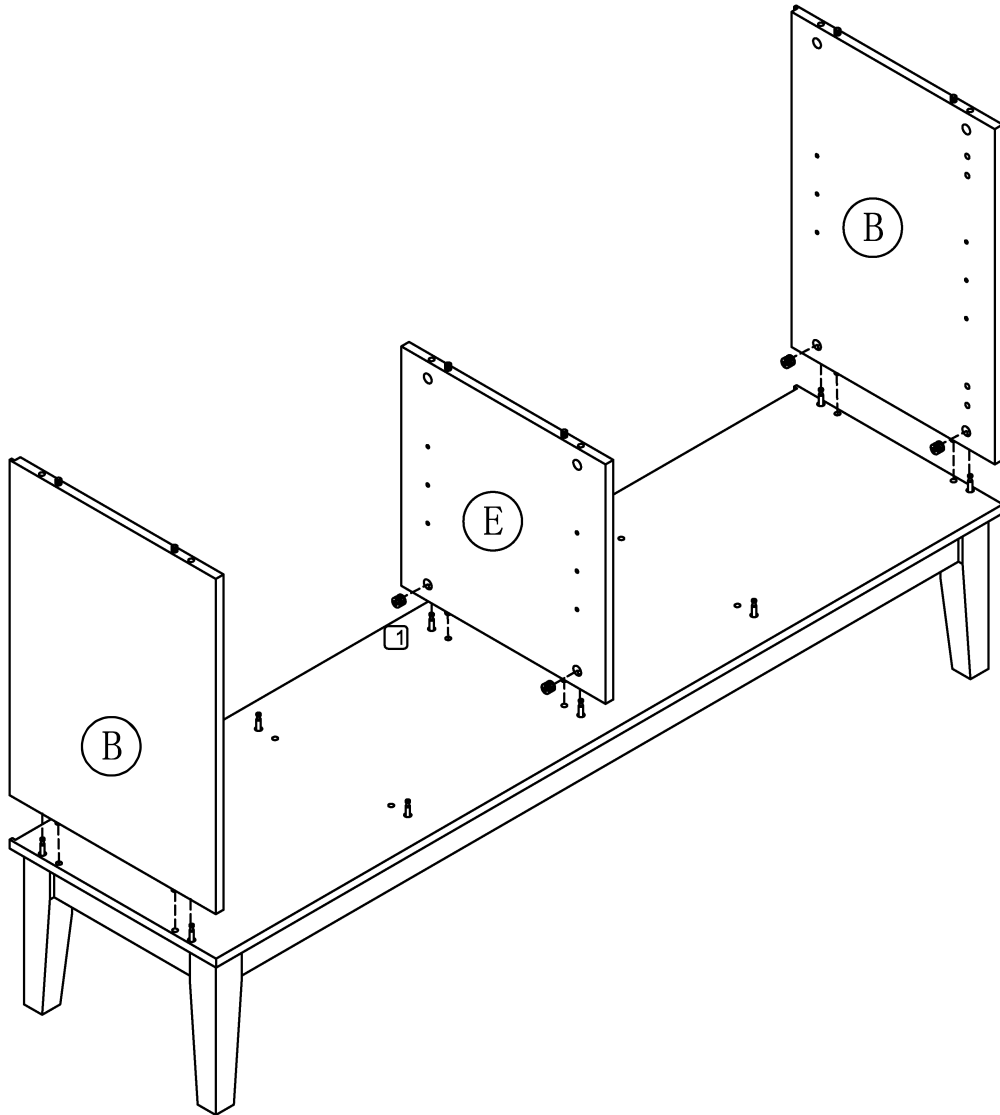
### Step 8

- 1:  4 pcs




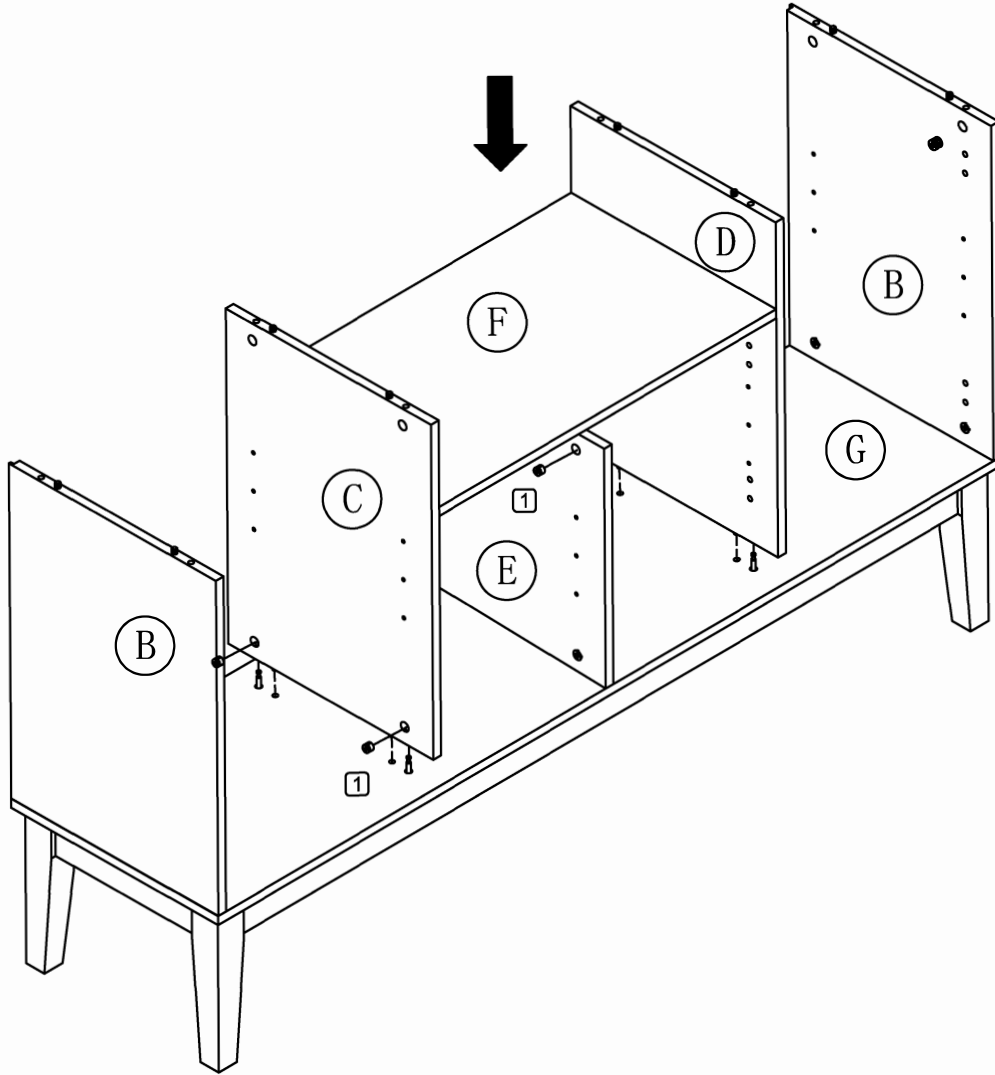
# Step 9

1:  6 pcs



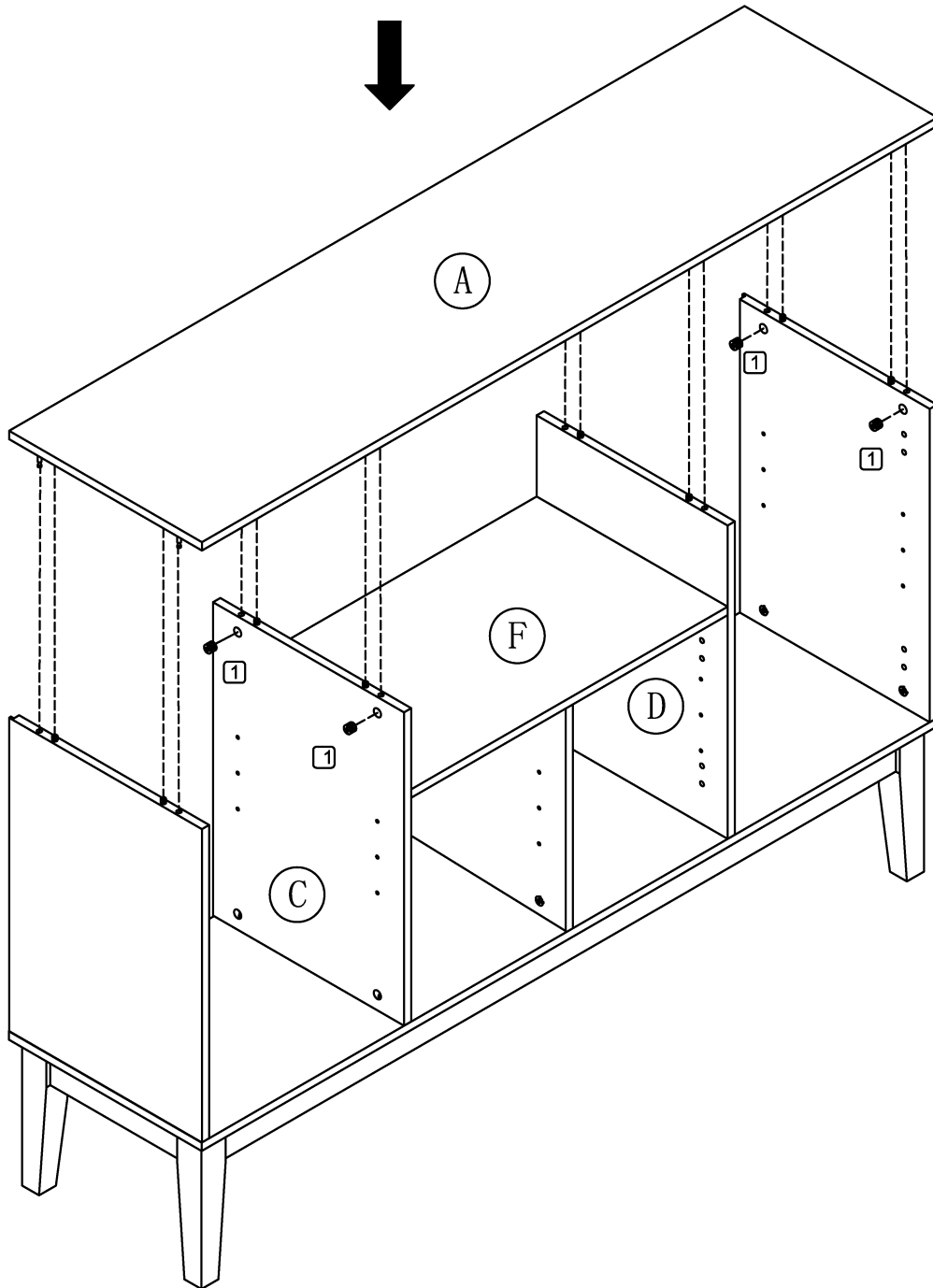
# Step 10

1:  6 pcs




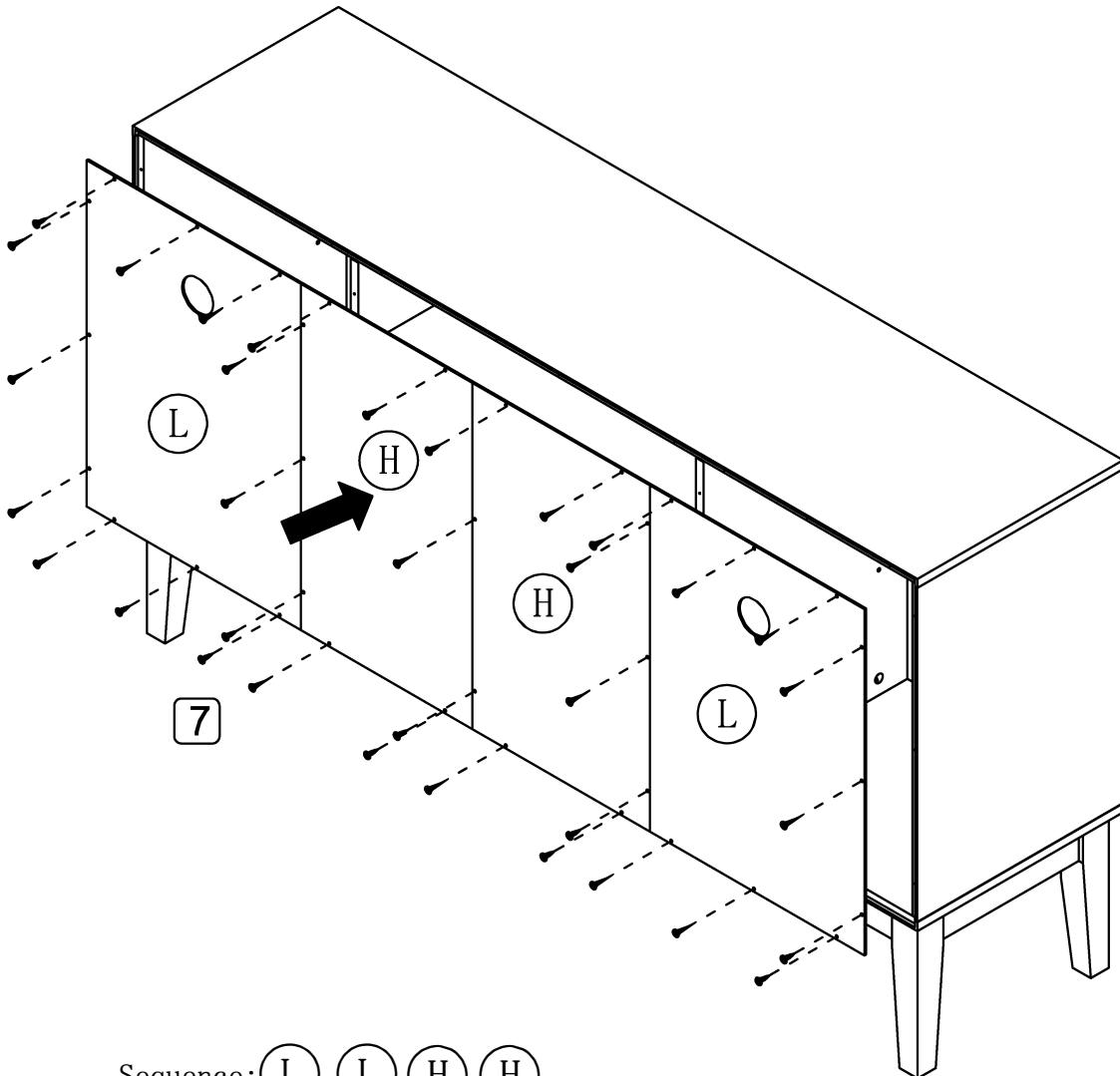
# Step 11

1:  8 pcs




# Step 12


7:  34 pcs

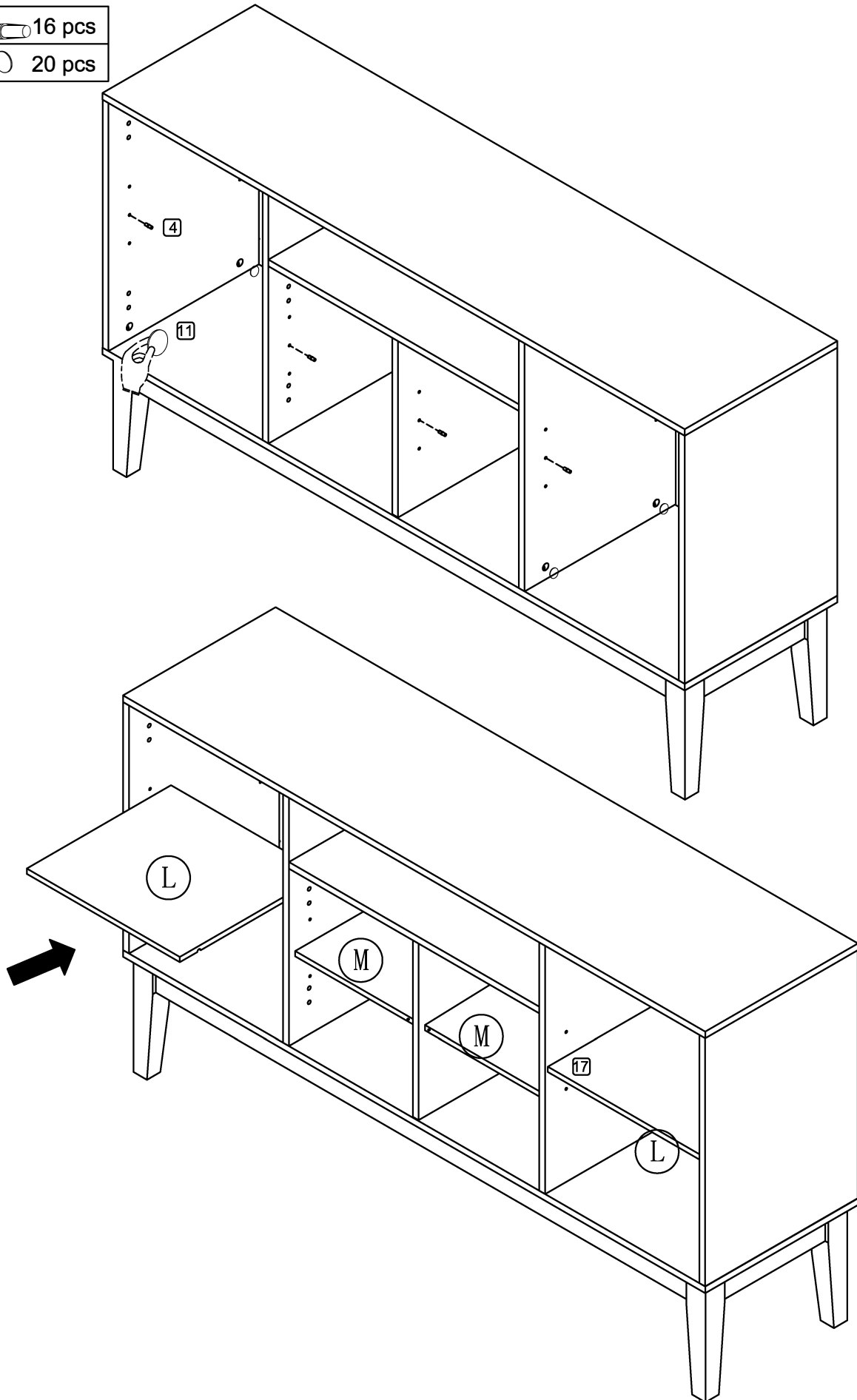


Sequence: (L) (L) (H) (H)

# Step 13

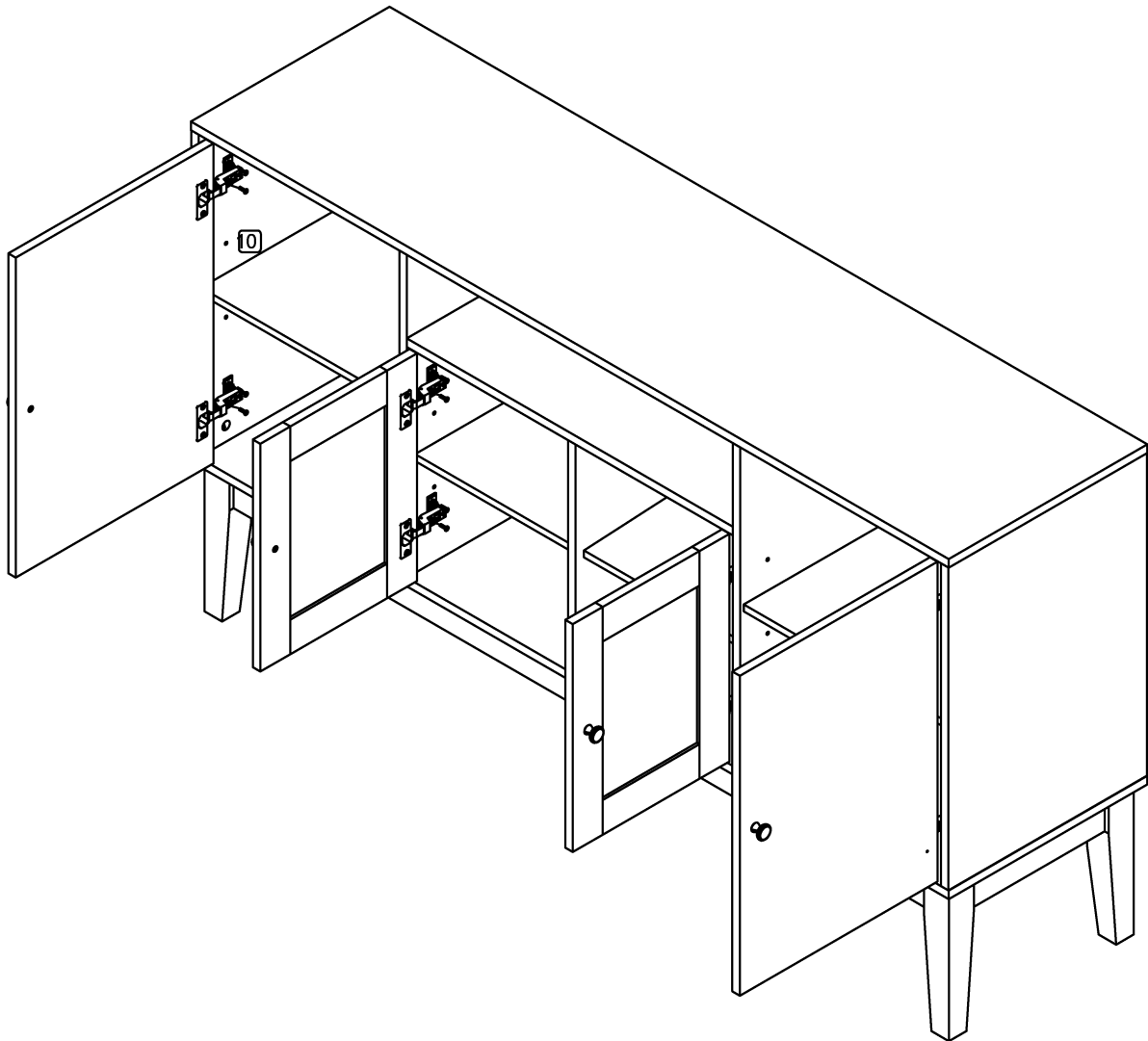
4:  16 pcs

11:  20 pcs

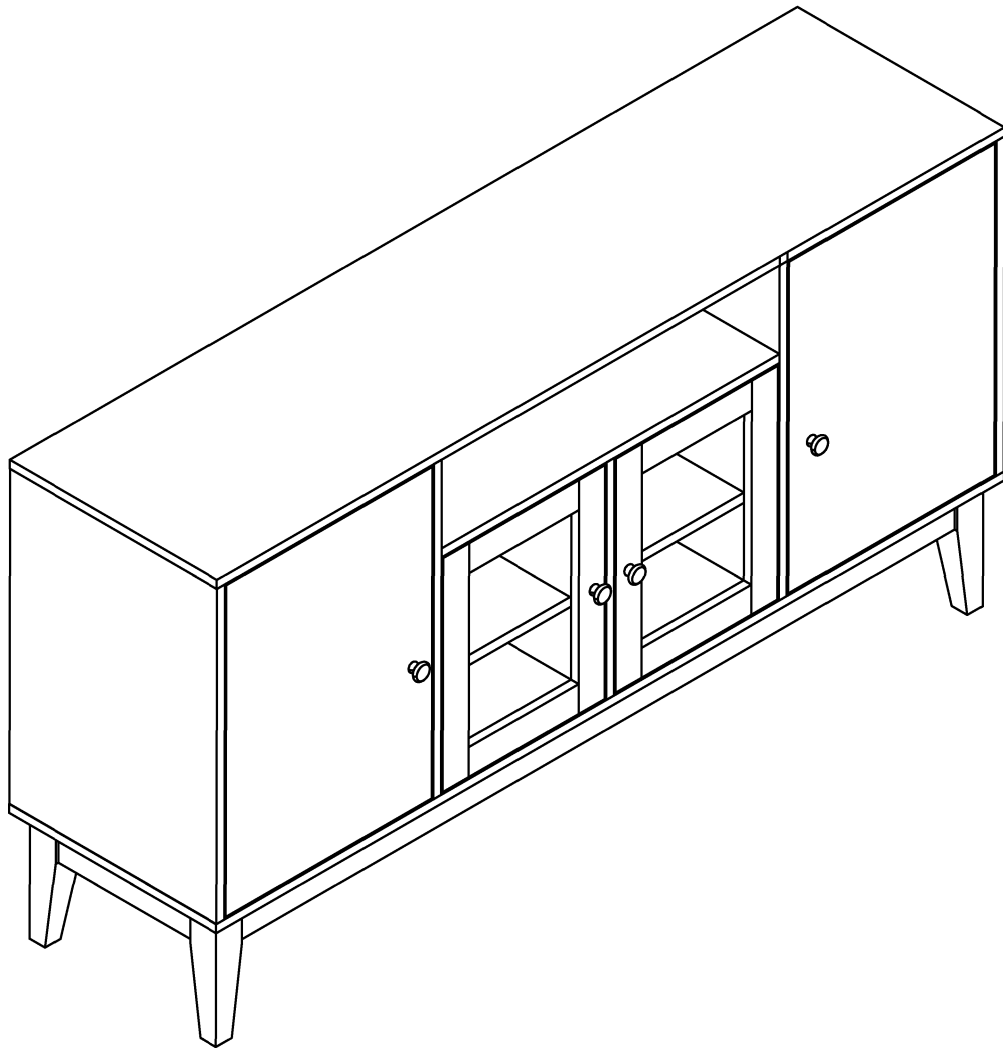


Step 14

10:  16 pcs



Step 15



Final Assembly