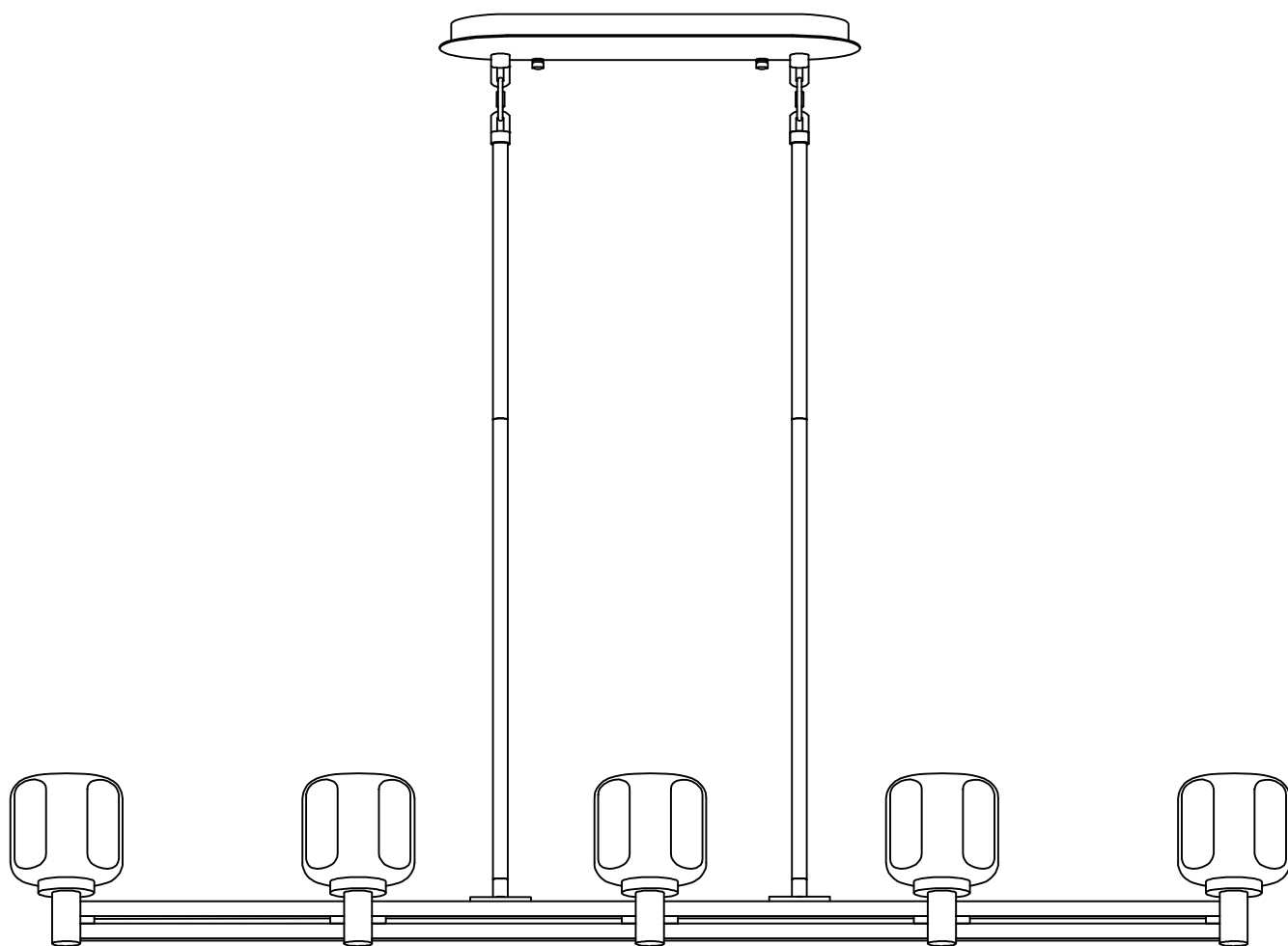
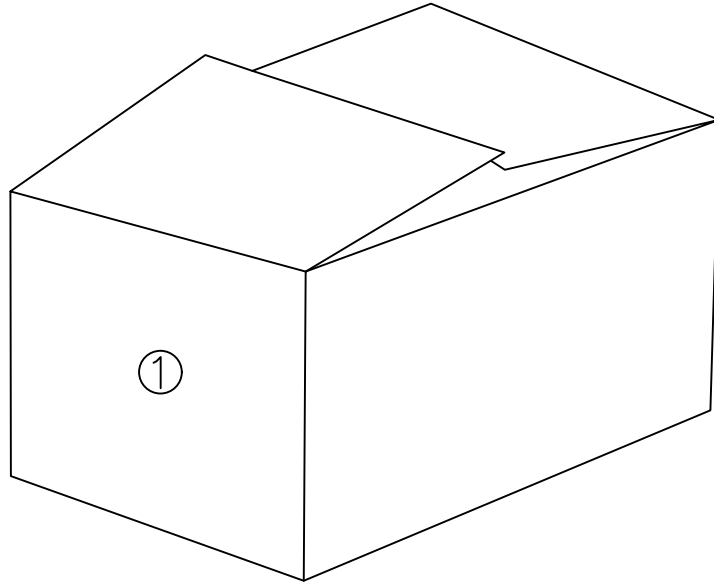


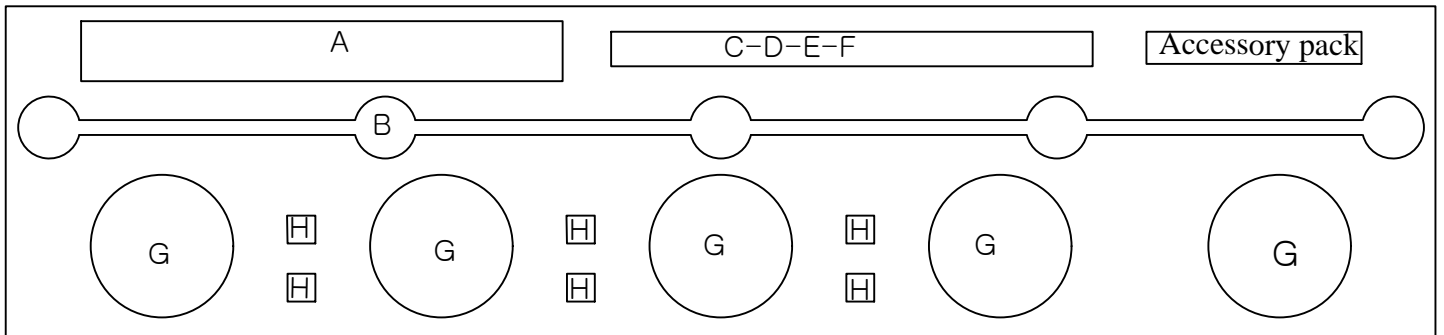
# Installation manual



## Packaging diagram.



①



### Internal packaging list:

1. Second layer lamp frame main body + crystal lampshade + suspension rod + hanging chain + ceiling plate + accessory pack + light sources

## Before assembly:

- ★ Please read all instruction steps carefully.
- ★ Keep the manual for future reference.
- ★ Separate and list all parts and hardware.
- ★ Read each step carefully and follow the correct installation sequence.
- ★ To avoid losing parts during assembly, we recommend not moving the fixture until the assembly is complete. Always keep the product on a flat, sturdy, and stable surface.
- ★ Keep all small parts and packaging materials of this product away from babies and children, as they may cause serious injury.

### ★ Product specifications:

Lamp holder: E12\*5   Wattage: 3W (each)   Color temperature: 2700K

# Accessory list.



2PCS



4PCS

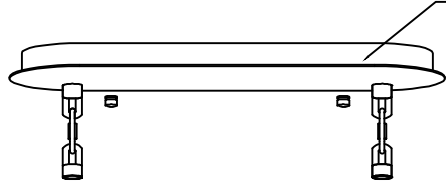


4PCS

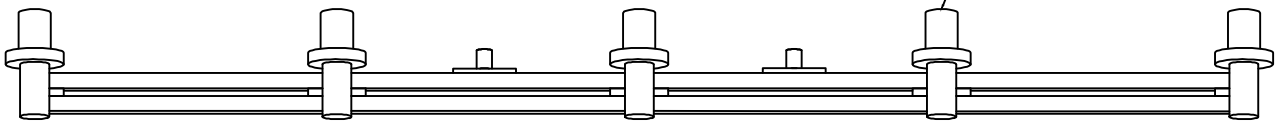


4PCS

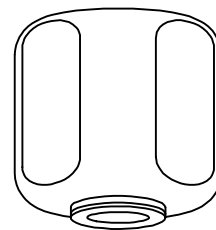
A. Ceiling plate + hanging chain - 1 piece



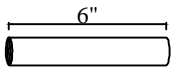
B. Main lamp frame - 1 piece



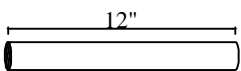
F. Connectors - 14pieces



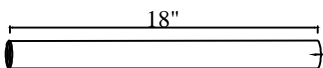
G. Crystal lampshade - 5 pieces



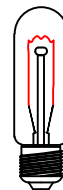
C. Middle rod tube - 4 pieces



D. Middle rod tube - 4pieces



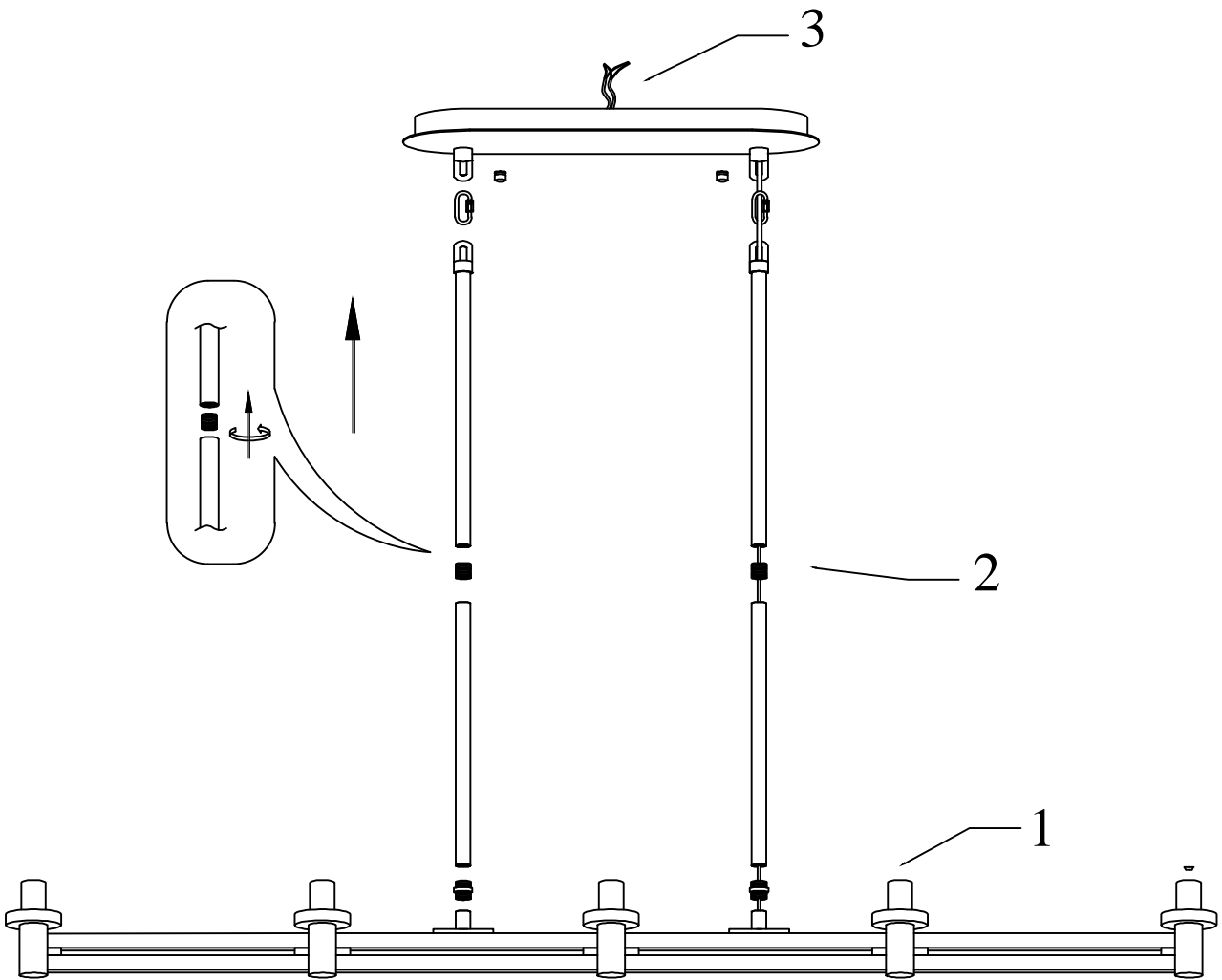
E. Middle rod tube - 4 pieces



H. Light sources - 5 pieces

# ① Lamp body assembly:

- (1) Locate Lamp Body B from the sorting list.
- (2) Take out the rod tubes and connect them sequentially with Connector F to the required length.
- (3) Thread the power cable from the lamp body through the rod tubes, and pass the chain into the ceiling plate, securing the lamp body and tubes with the lock clip.



## ② Light source and lampshade assembly:

- (1) Take out the mounting plate and connect it to the ceiling.
- (2) Connect the main power line to the lamp body main line and secure the ceiling plate.
- (3) Use hooks to connect the ceiling plate and the lamp body.
- (4) Screw 5 E12 light bulbs into the lamp holders.
- (5) Install the crystal lampshades one by one onto the lamp body.
- (6) Installation complete.

