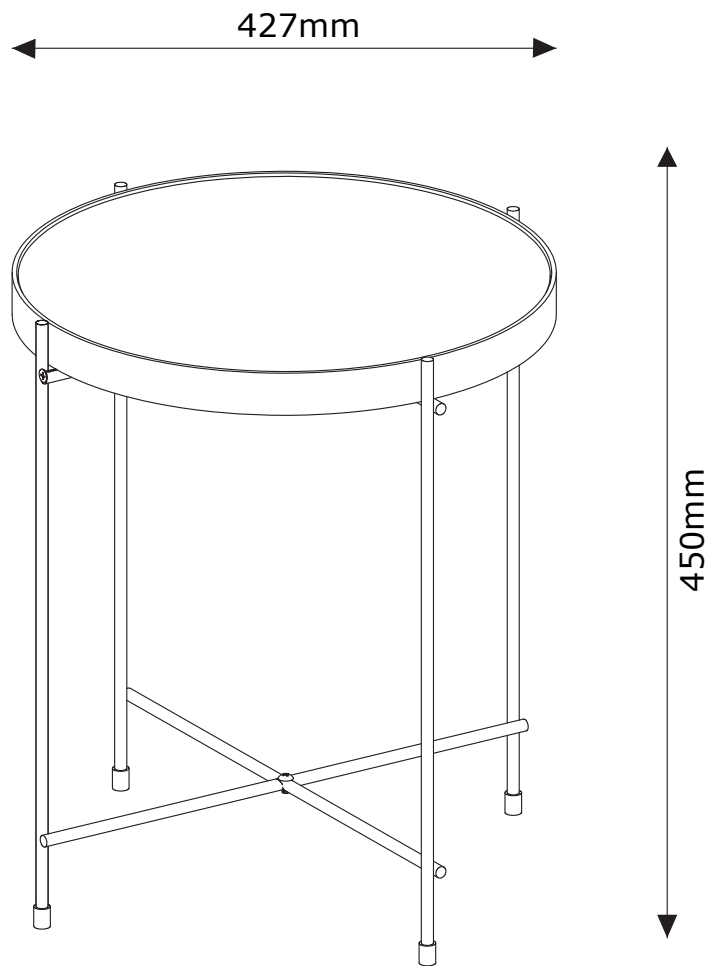


Assembly Instructions



Keep these instructions for future reference

Assemble the furniture on a soft level surface to avoid damaging the furniture or your floor.

We recommend furniture be assembled near where they will be placed, to avoid moving the product unnecessarily once assembled.

If there is a need to move the furniture, please remove all loose items and have extra hands to help lift the furniture to the desired location. Dragging the furniture will damage both the furniture and the floor.

Regularly check and re-tighten (if necessary) all bolts on furniture that you have assembled yourself.

Tools Required



Care and Maintenance of your Furniture

Do not place very hot or cold items on the glass surfaces unless adequate thick table mats are used to prevent such items from coming in contact with the glass.

Do not sit or stand upon the glass surfaces.

Do not use the glass as a chopping surface.

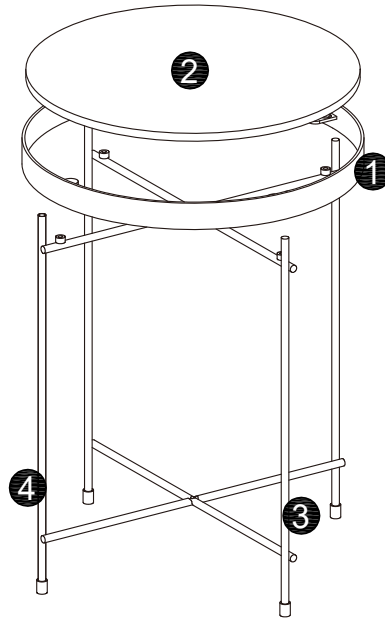
Do not strike the glass with hard or pointed items.

When cleaning the glass panels use a damp cloth with washing up liquid or soft soap if necessary,

Do not use washing powders or any other substances containing abrasives since these substances scratch glass.

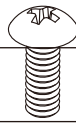
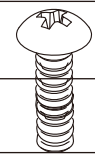
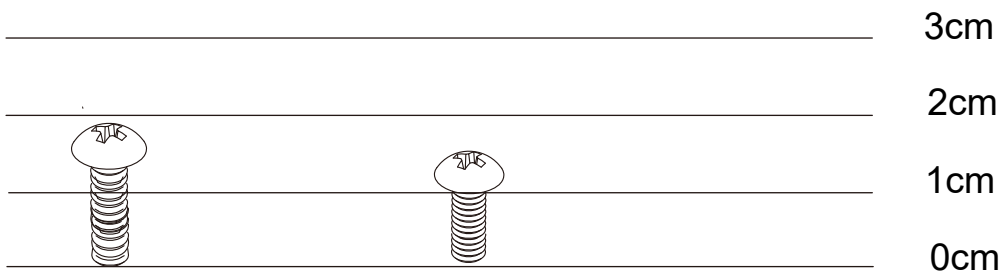
If the glass is chipped or broken, stop using the product and consult the seller.

PARTS LIST



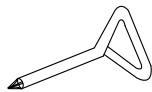
NO	PARTS LIST	QTY
(1)	RING	1
(2)	MIRROR TOP	1
(3)	INNER FRAME	1
(4)	OUTER FRAME	1

HARDWARE LIST



4x
M5x15mm
A
BOLT

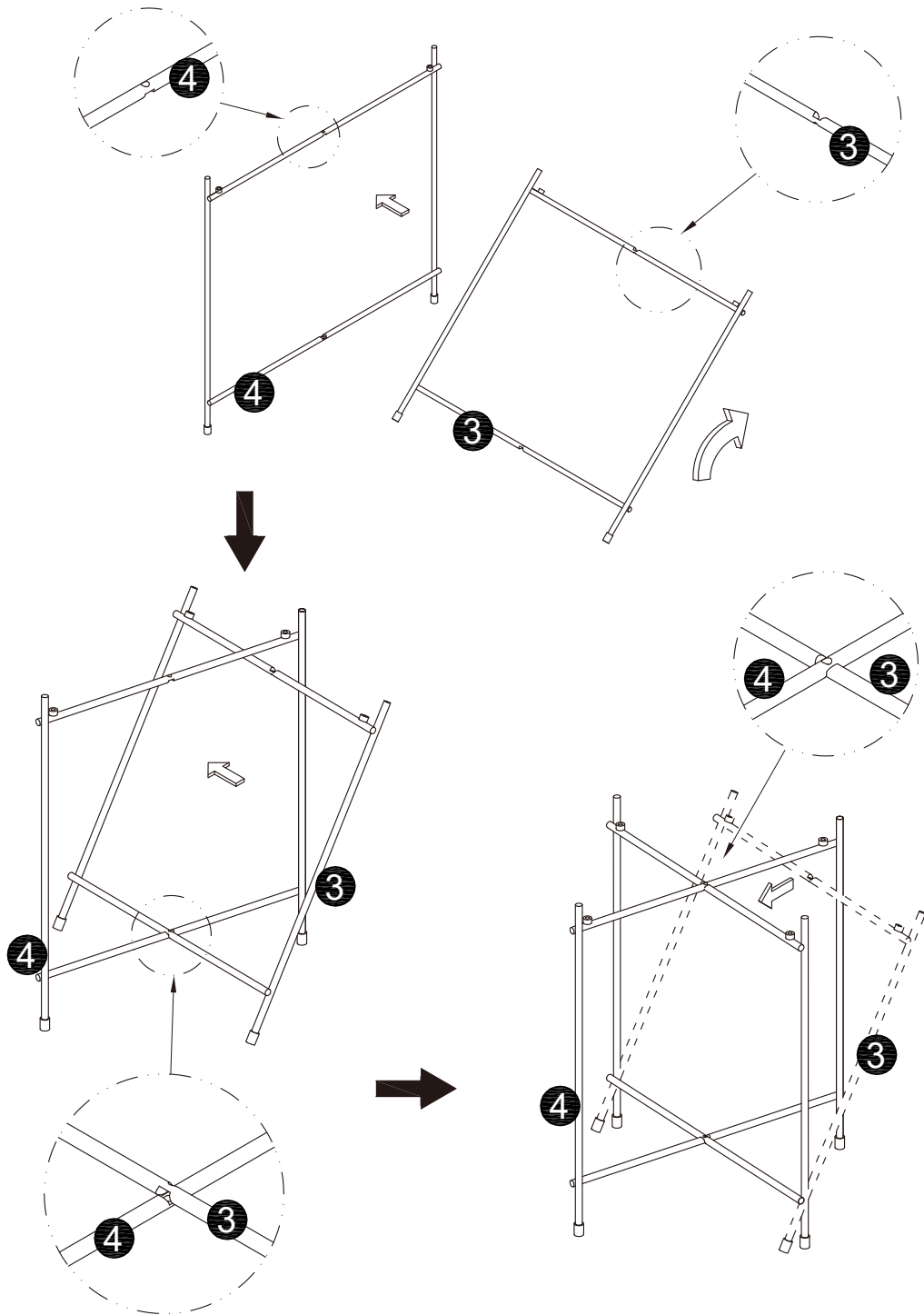
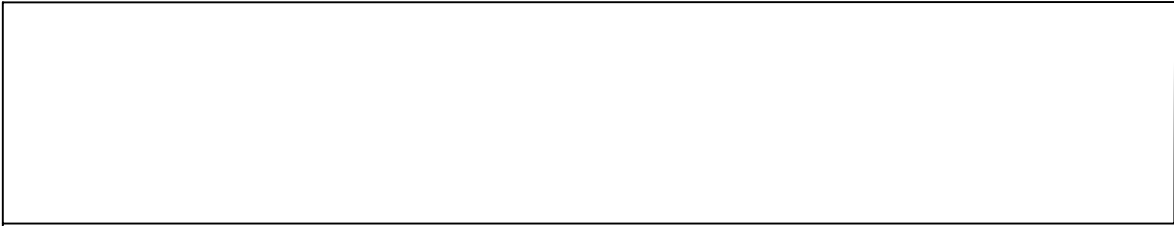
2x
M5x10mm
B
BOLT



4x
C
SUCTION CUP

1x
D
SCREWDRIVER

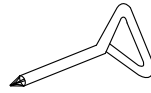
1



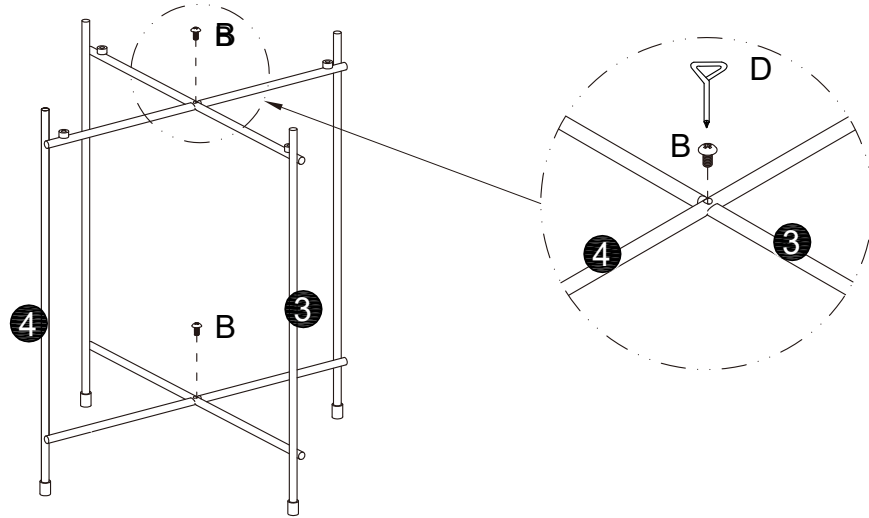
2



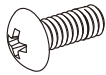
M5x10mm
Bx2



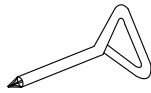
Dx1



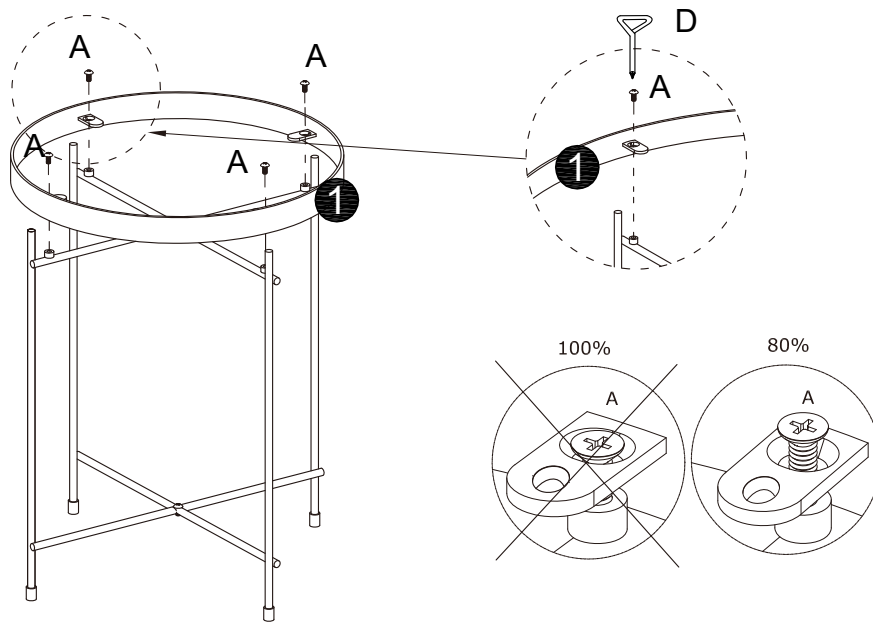
3



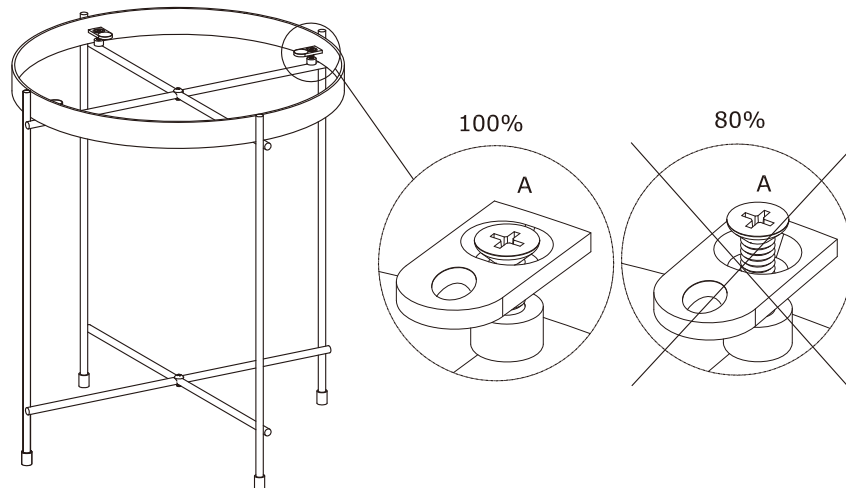
M5x15mm
Ax4



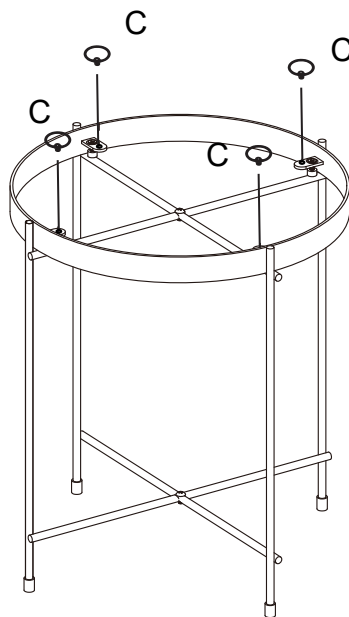
Dx1



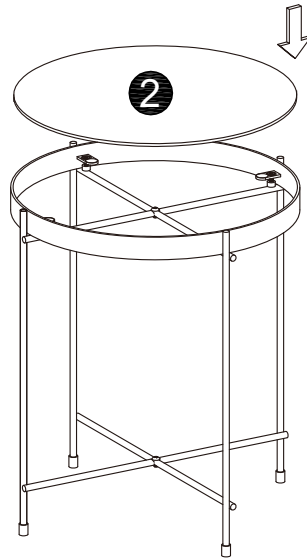
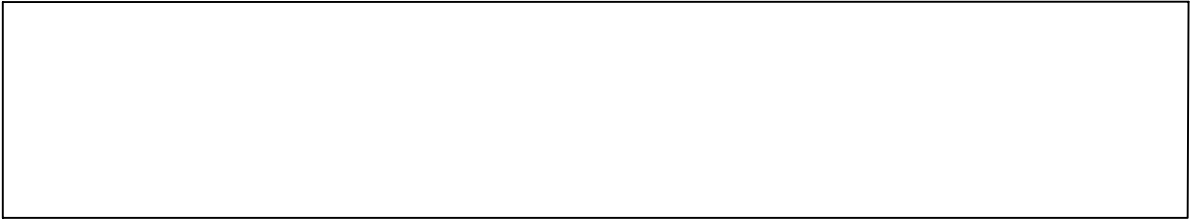
4



5



6



7

