

# ASSEMBLY INSTRUCTIONS

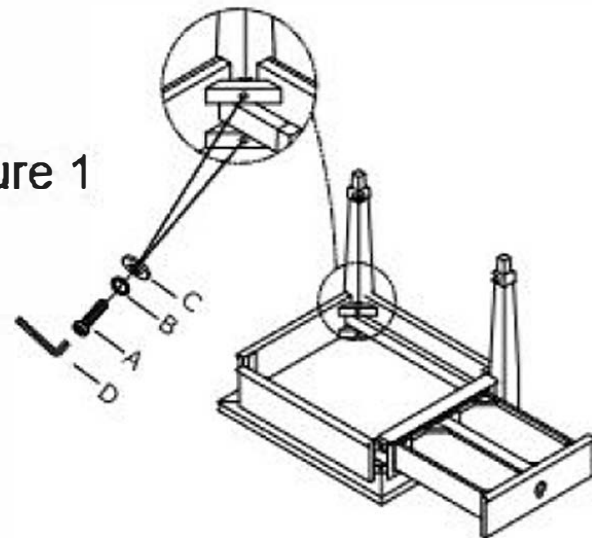
## TOOLS REQUIRED:

- Allen Wrench (supplied, part # D)
- Screw Driver ( Not Supplied)

## BEFORE YOU START:

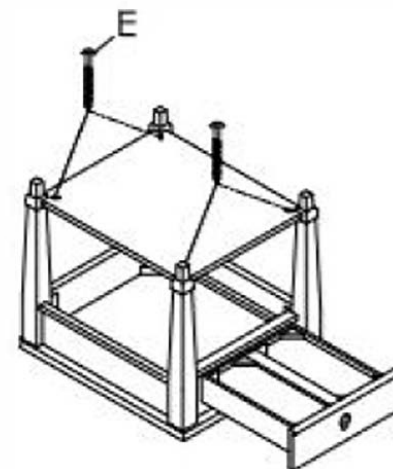
1. Check the parts against the parts list to make sure all items are present.
2. Assemble your furniture on a soft, flat surface to avoid scratching the finish.
3. **CAUTION:** Do not over tighten screws, nuts or bolts during assembly.
4. Your furniture may require occasional tightening.






Figure 1



## INSTRUCTIONS:

1. Remove the drawer of the table by fully extending it until the black levers are visible on the inside of the metal drawer guide. Release the drawer by pushing one lever up and the other down, then turn the Nightstand upside down on a clean soft surface.
2. Attached leg to the table top using bolts (A), lock washers (B) and flat washers (C), tighten with the wrench (D). As show Fig.1. Repeat for other legs but leave bolts loose for shelf attachment.
3. Attach the wood shelf to each leg using screw (E). As show Fig. 2
4. Tighten all bolts before using the table.
5. Re-install the drawer box into metal drawer guide.



HARDWARE LIST			
NO.	Drawing	Description	QTY
A		Allen Bolt (#5/16"2.1/4")	8 pcs
B		5/16" Spring Washer	8 pcs
C		5/16"3/4" Flat Washer	8 pcs
D		Wrench	1 pc
E		#8*1.-1/4" SCREW	4 pcs