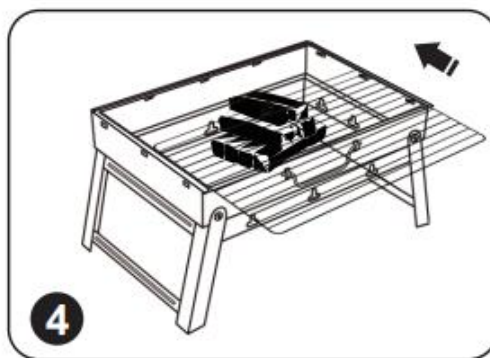
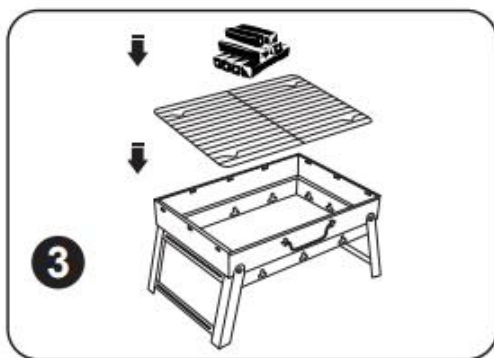
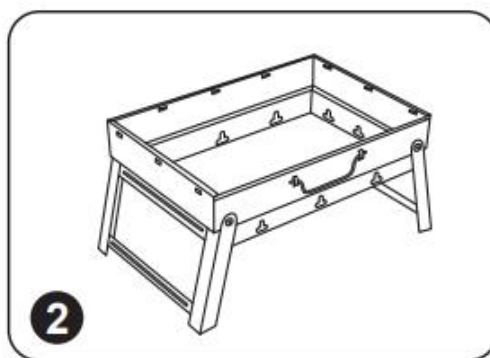
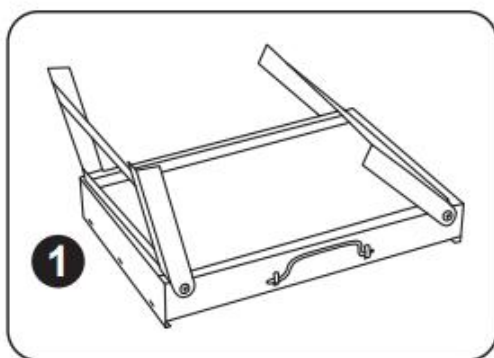


# BARBEQUE BBQ

Uten®

## User Manual

IETM NO.:HF-HG02



**Step 1:** Turn the legs of grill till they get locked by the buckles

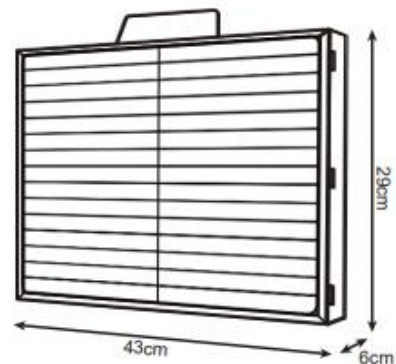
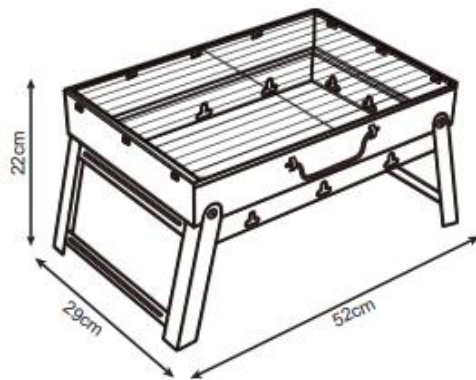
**Step 2:** Put the grill on flat ground

**Step 3:** Put in the charcoal mesh and charcoal

**Step 4:** Install charcoal grill net

LOVING BBQ LOVING LIFE

## Product Size



## ⚠ Precautions

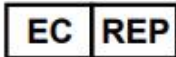
1. It cannot be used until all parts are installed.
2. Do not allow children or pets to approach to the grill.
3. Do not move the grill or touch the hot areas during grilling to prevent burns.
4. After finishing grilling, please be sure to extinguish the charcoal.
5. Establish the awareness of environmental protection, please take away the garbage.

## Warm Tips

1. Before grilling food, brush a layer of cooking oil on the grill to prevent the food from sticking to the grill net.
2. The withstand temperature of the Charcoal grill is 300°C, It is recommended that the single barbecue time does not exceed 12 hours.



**Prohibit the use of corrosive combustion aids, otherwise it will cause the barbecue grill to deform or melt.**

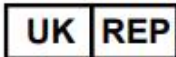


**Firma:** LI-MI INTERNATIONAL GMBH

**Kontakt:** Herr. Reiss

**Email:** [vertretung@li-mi-international.de](mailto:vertretung@li-mi-international.de)

**Adresse:** Melitta-Schiller-Strasse 30, 12526 Berlin, Germany



**Company:** Obero International Ltd

**Contact:** Mr. Tian

**Email:** [Contact@iobero.com](mailto:Contact@iobero.com)

**Address:** Unit 1, Kiwi Park Commerce Way, Trafford Park, Manchester, England, M17 1HW

**Manufacturer:** SHENZHEN RBU TECHNOLOGY GROUP CO., LTD

**Address:** 9 Tengfei Road, Longcheng Sub-District, Longgang District, Shenzhen, China

**Distributor:** LI-MI INTERNATIONAL GMBH

**Address:** Melitta-Schiller-Strasse 30, 12526 Berlin, Germany

**Distributor:** Obero International Ltd

**Address:** Unit 1, Kiwi Park Commerce Way, Trafford Park, Manchester, M17 1HW, United Kingdom

**Distributor:** AGM USA, LLC

**Address:** 1521 E Francis St, unit a Ontario, CA 91767, United States

For more information please contact us at: [service@uten.com](mailto:service@uten.com)



MADE IN CHINA