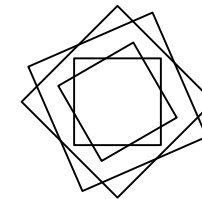
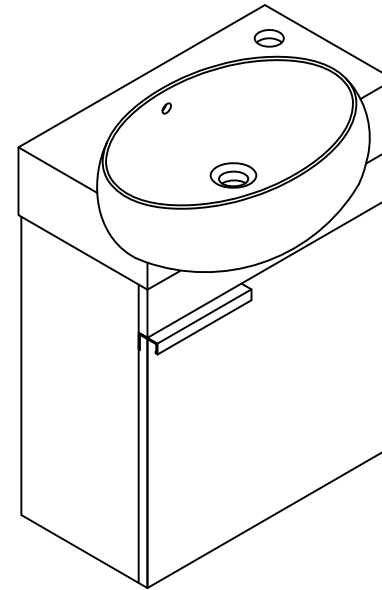


Installation Manual-BV C02916 GWH

MOTIVATE
YOUR LIFE !

THANKS FOR WATCHING

Your feedback is invaluable to us and we would love to hear about your experience. Please take the time to leave us a review.



Thank you for shopping with us!

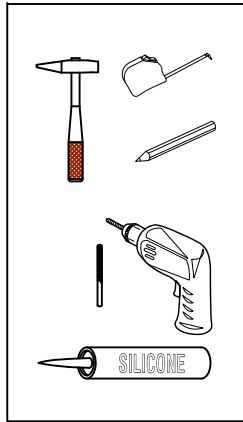
We encourage you to take a few minutes to go through this booklet. It contains important information on installation and care tips to keep your furniture looking as good as new.

Item NO.:BV C02916 GWH

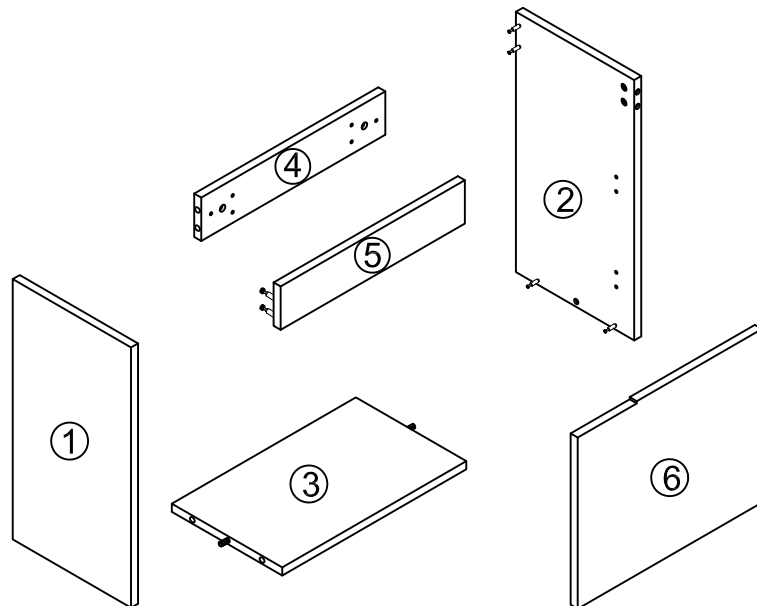
Hardware

NO.	Draw	QTY	NO.	Draw	QTY
A	Screws Ø4x14mm	32	H	Bracket (19x19x35mm)	2
B	Two-in-one connector	12	I	Hinges (Full cover)	2
C	Two-in-one connector	12	J	Handle (Screws Ø4x14mm)	1
D	Wood plug	2	K	Anti-collision gasket	2
E	Plastic anchor(Ø10mm)	2	L	Screwdriver	1
F	Screws for fix on the wall	2			
G	Bracket (53x70x44mm)	2			

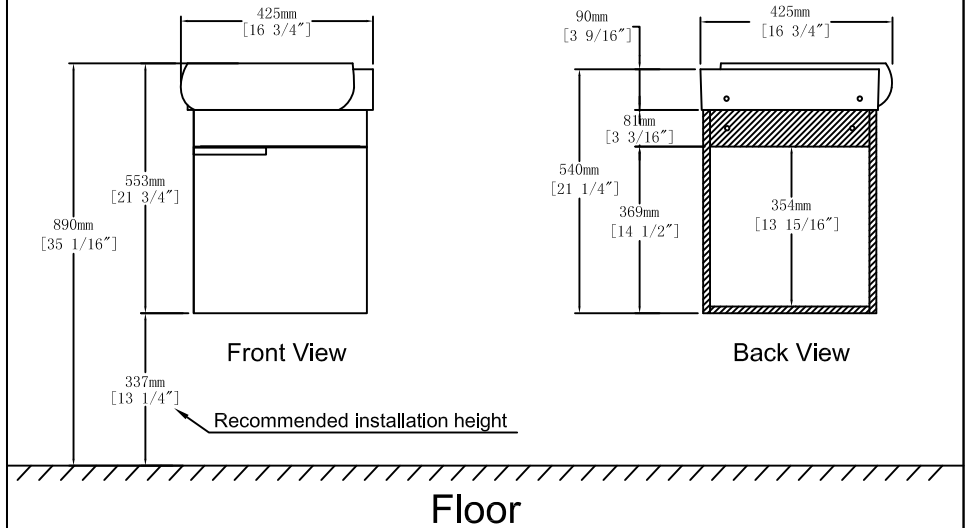
Recommended Tools



Components

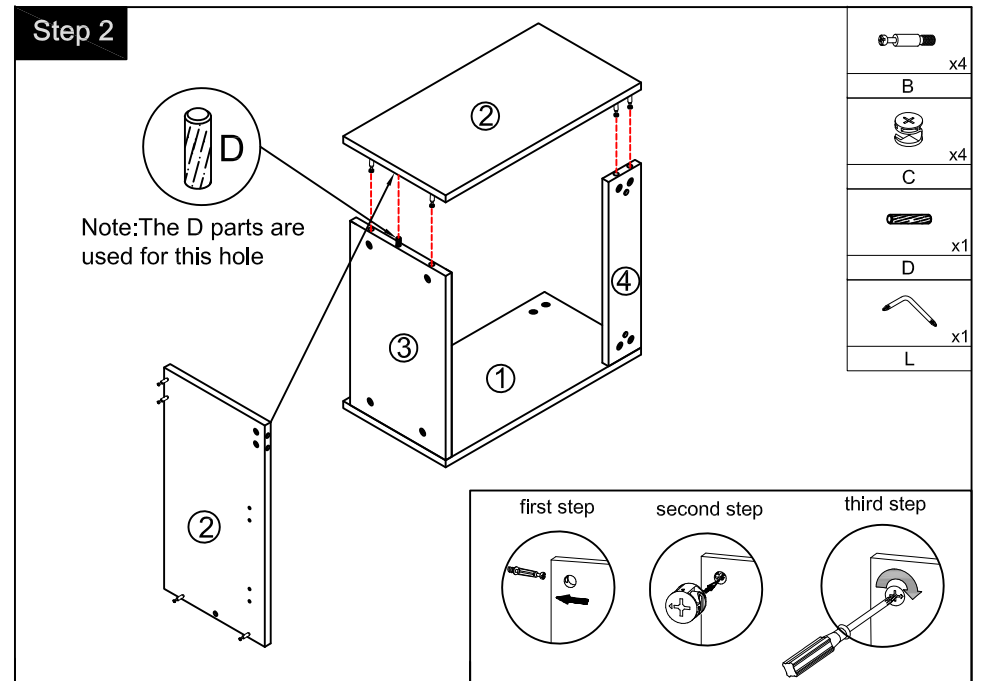
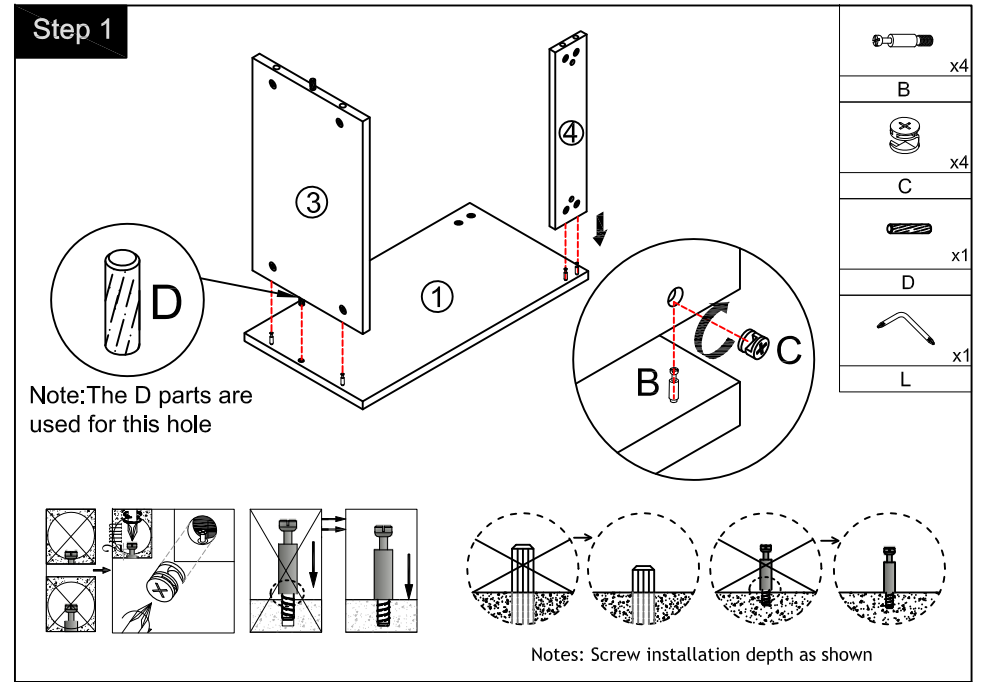
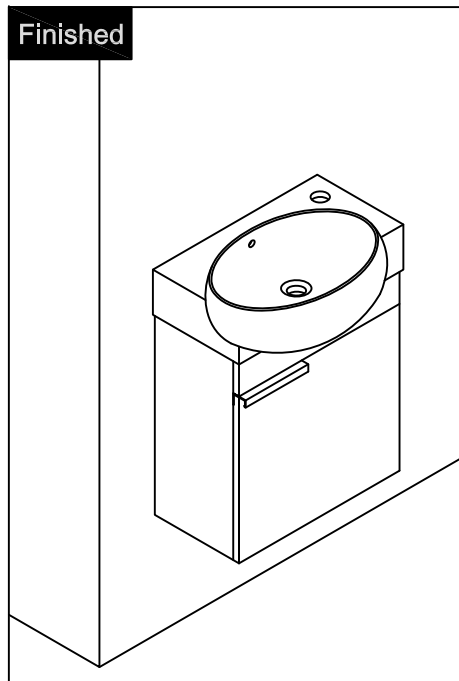
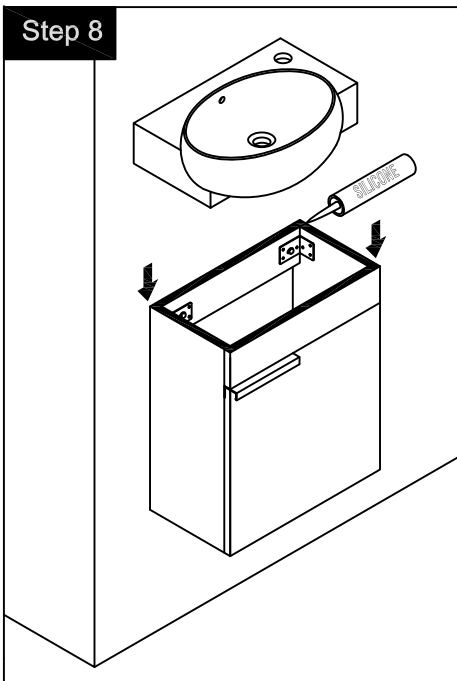
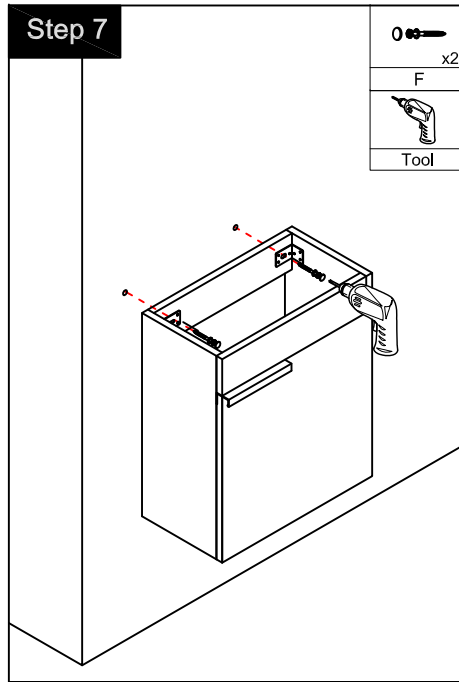
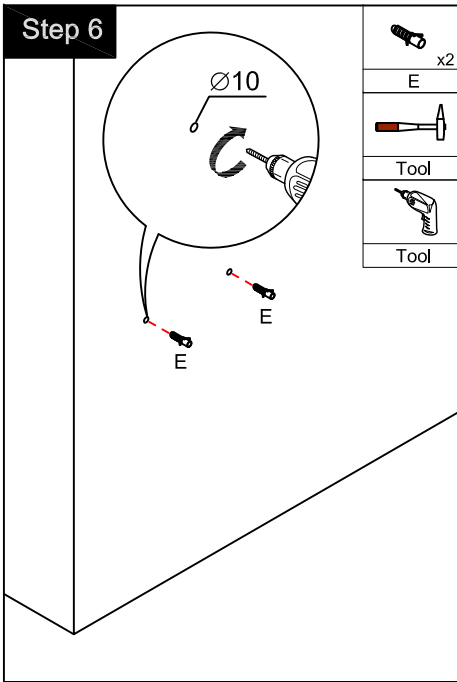


Dimensions

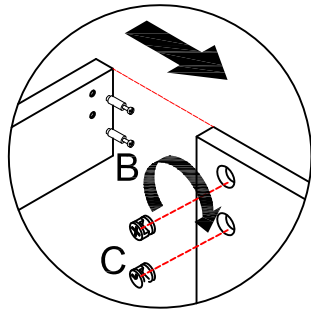
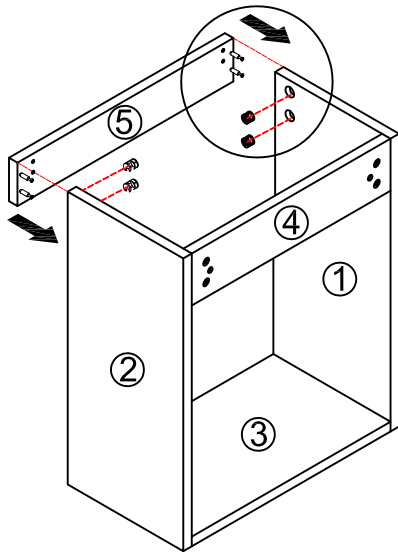





CARE CLEANING AND MAINTENANCE

1. Dust regularly with a soft , dry cloth.
2. Avoid the use of all chemicals household cleaners, abrasives, or cleaners that contain lemon, vinegar, or other acids that may damage the finish.
3. Excessive exposure to sunlight and extreme changes in temperature and moisture can damage wood furniture.
4. The sink top is resilient, but care needs to be taken to preserve its appearance.
5. Do not place hot appliances, such as curling irons and hot hair dryers directly on the countertop. Wipe spills immediately.

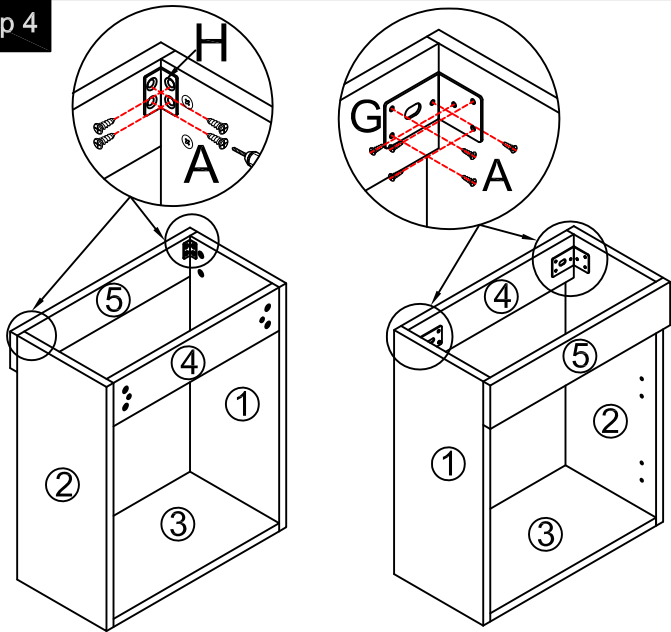


Step 3







	x4
B	
	x4
C	
	x1
L	

Step 4

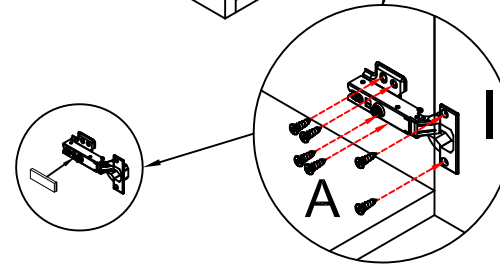
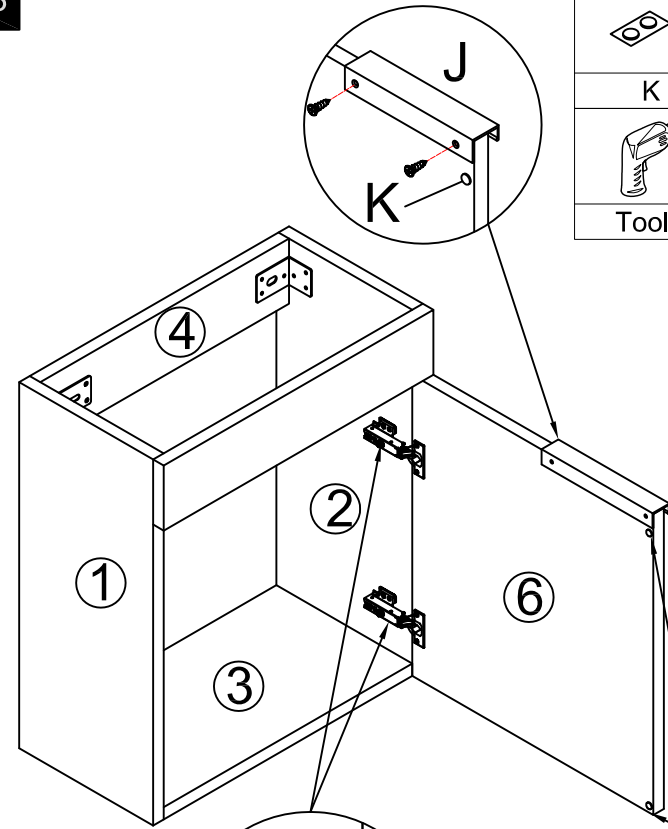







Back View

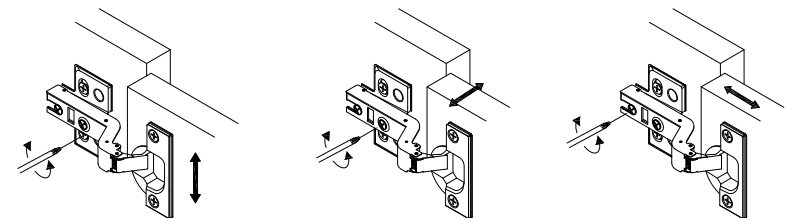
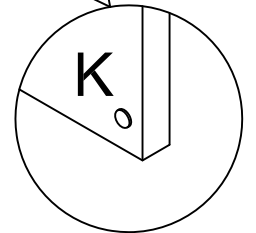
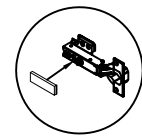
Front View

	x2
H	
	x2
G	
(\varnothing 4 x 14mm)	
	x20
A	
	
Tool	

Step 5



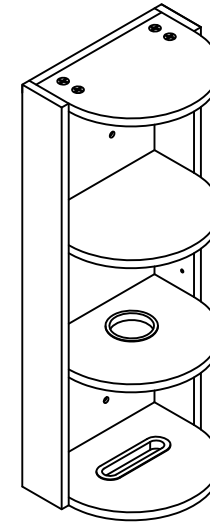
	x2		x2
K		I	
		(\varnothing 4 x 14mm)	
Tool			x12
		A	
			x1
		J	



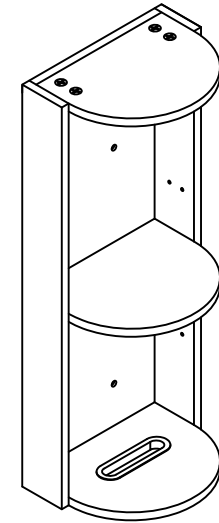
You can adjust the doors by tightening or loosening the screws on the hinge.

THANKS FOR WATCHING

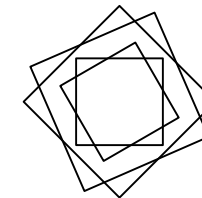
Your feedback is invaluable to us and we would love to hear about your experience. Please take the time to leave us a review.



Three layer side cabinet



Two layer side cabinet

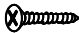

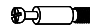


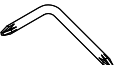


Thank you for shopping with us!

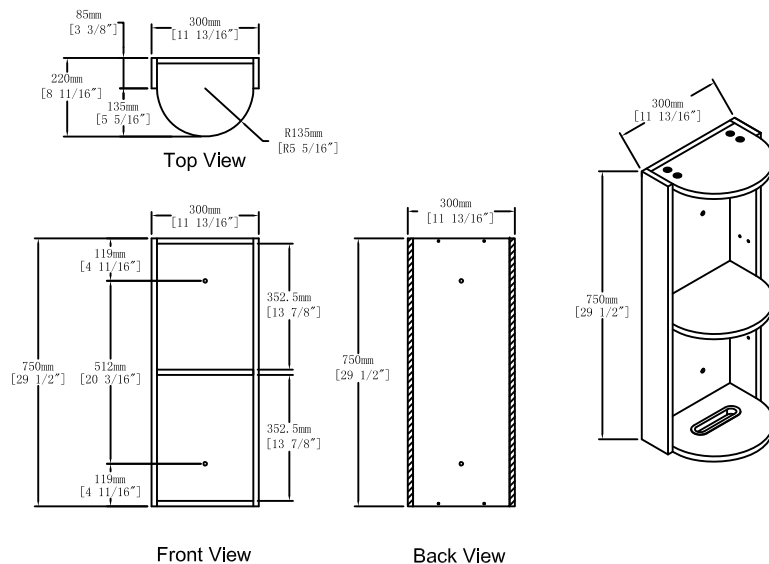
We encourage you to take a few minutes to go through this booklet. It contains important information on installation and care tips to keep your furniture looking as good as new.

Item NO.:SC 00612

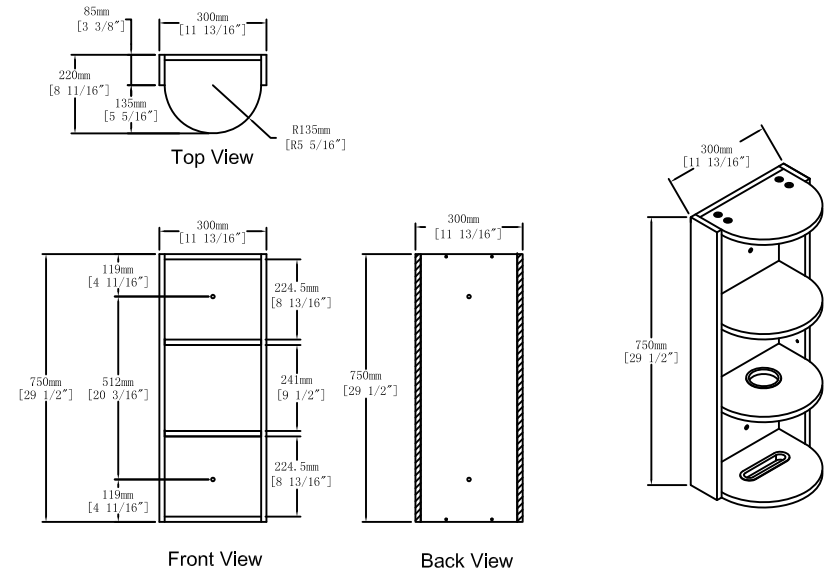
Hardware

NO.	Draw	QTY	NO.	Draw	QTY
A	 Screws Ø4x25mm	4	D	 Plastic anchor(Ø10mm)	2
B	 Two-in-one connector	22	E	 Screws for fix on the wall	2
C	 Two-in-one connector	22	F	 Screwdriver	1

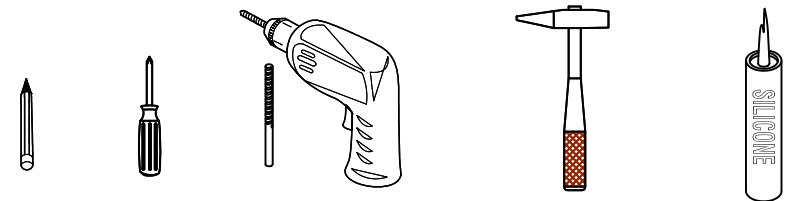
Dimensions Two layer side cabinet



Dimensions Three layer side cabinet



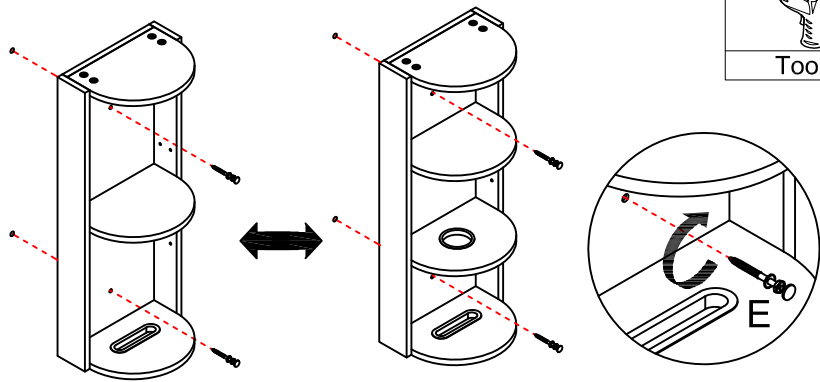
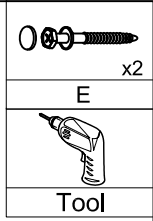
Recommended tools



CARE CLEANING AND MAINTENANCE

1. Dust regularly with a soft , dry cloth.
2. Avoid the use of all chemicals household cleaners, abrasives, or cleaners that contain lemon, vinegar, or other acids that may damage the finish.
3. Excessive exposure to sunlight and extreme changes in temperature and moisture can damage wood furniture.
4. Do not place hot appliances, such as curling irons and hot hair dryers directly on the countertop. Wipe spills immediately.

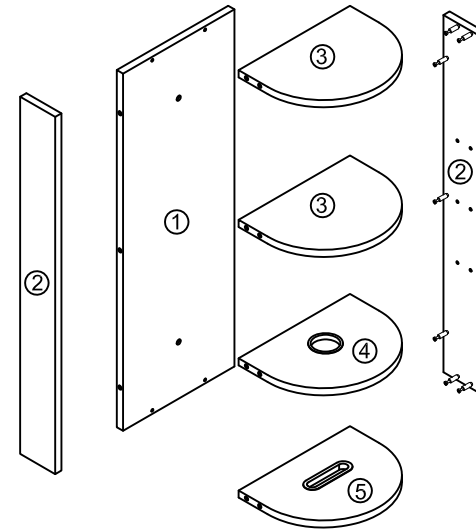
Step 7



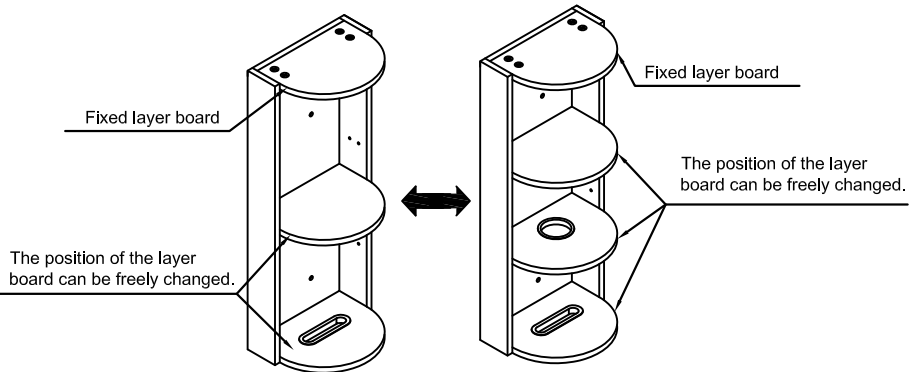
Two layer side cabinet

Three layer side cabinet

Components



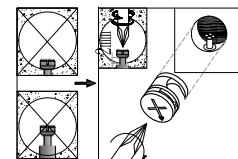
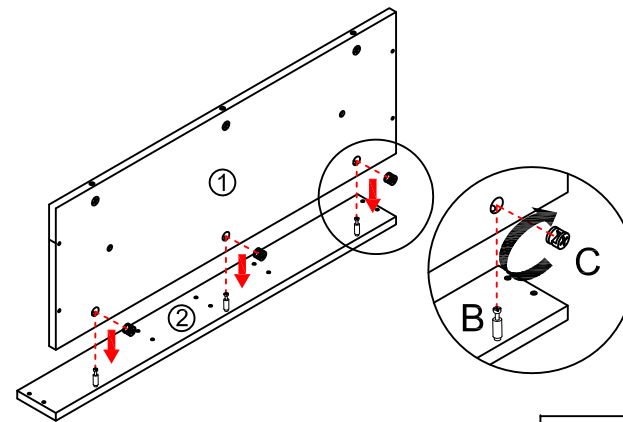
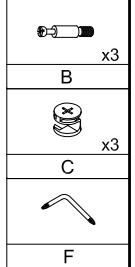
Finished



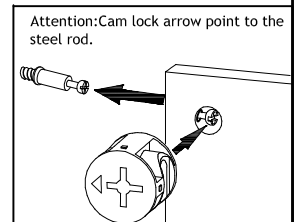
Two layer side cabinet

Three layer side cabinet

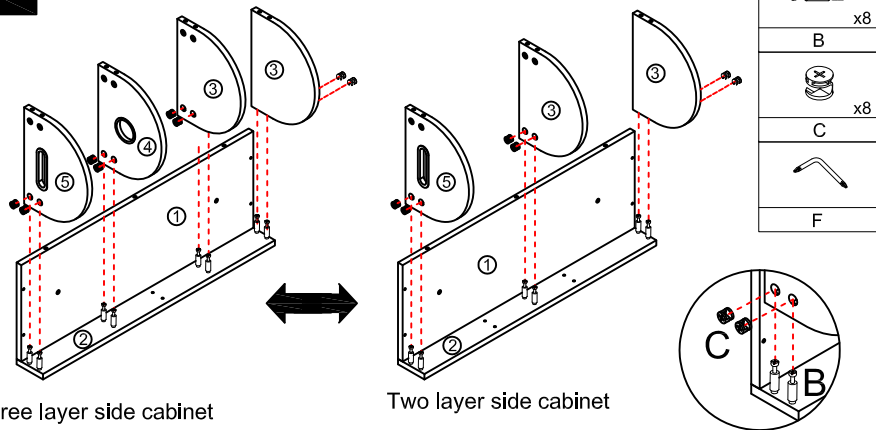
Step 1



Notes: Screw installation depth as shown



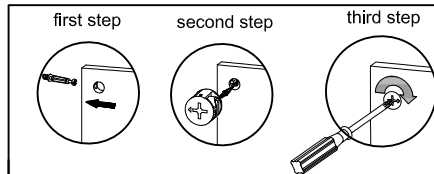
Step 2



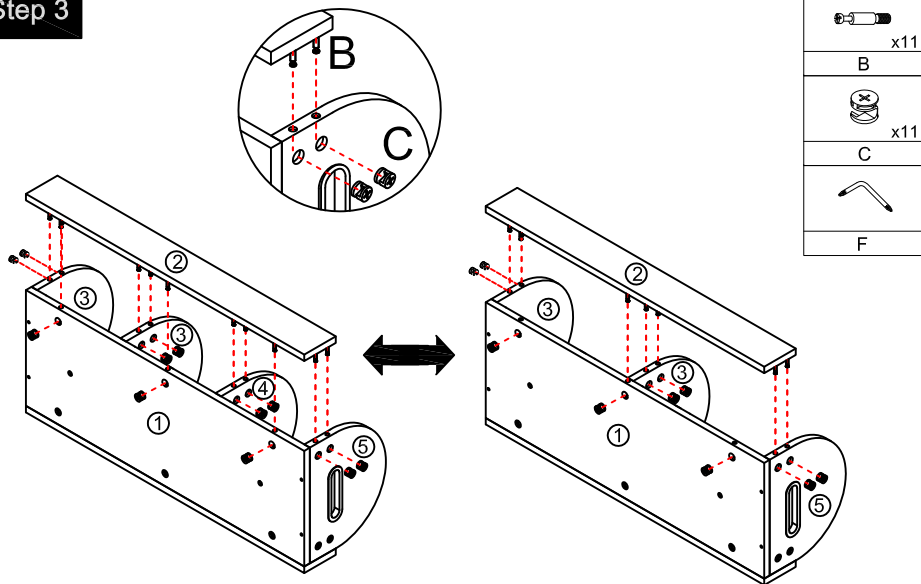
Three layer side cabinet

Two layer side cabinet

The top layer is a fixed board, and other layers can be installed with one or two boards according to their own needs. The installation position of the boards can be installed as needed, as shown in the diagram.



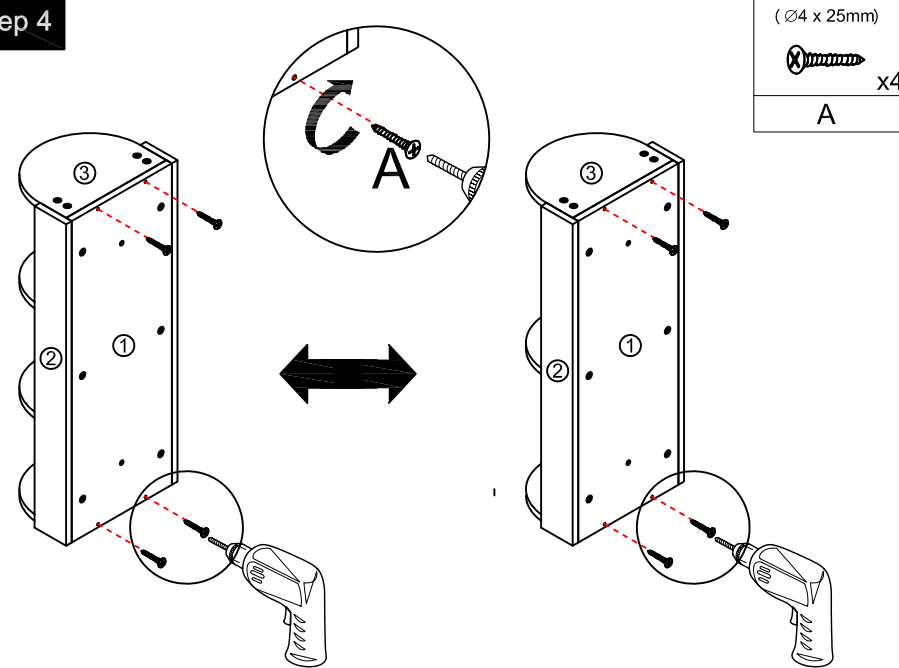
Step 3



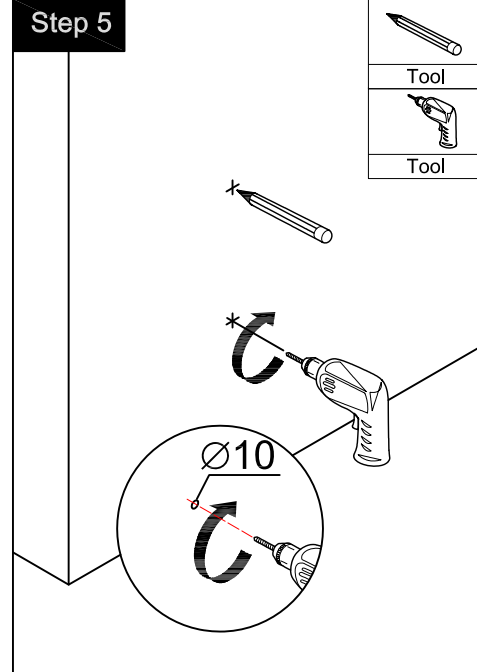
Three layer side cabinet

Two layer side cabinet

Step 4



Step 5



Step 6

