



**YBDT97**

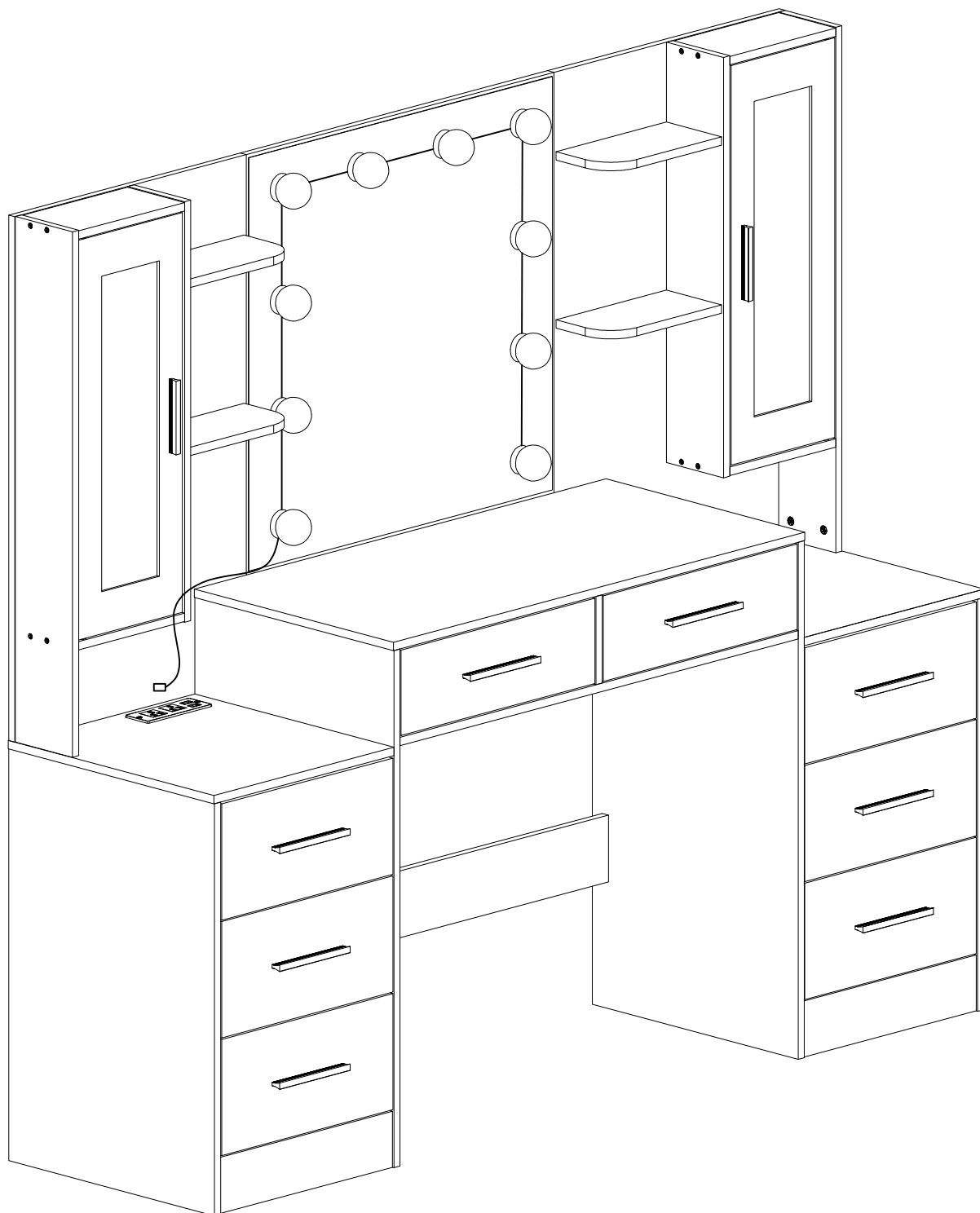
## **Instruction Manual**

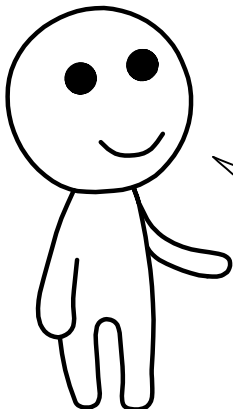
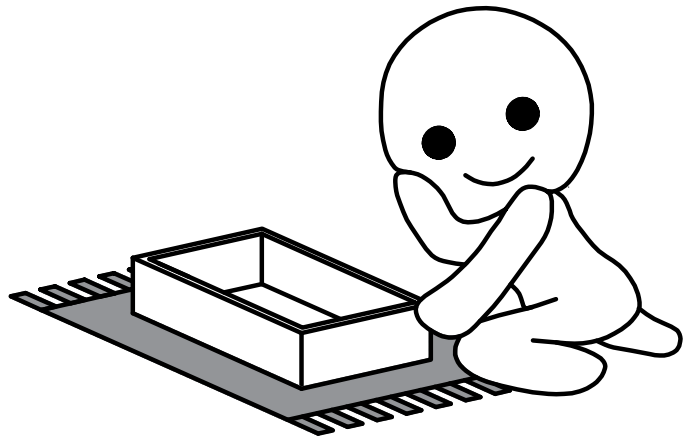
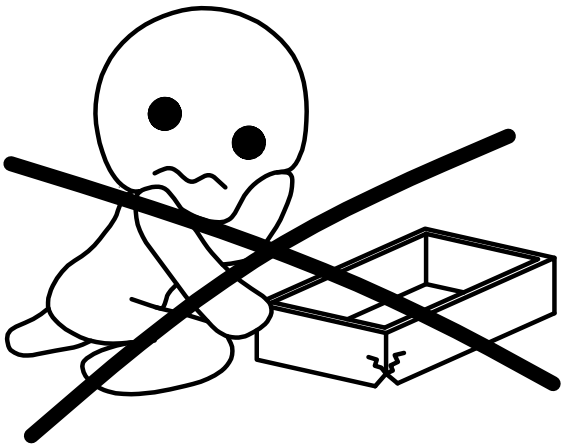
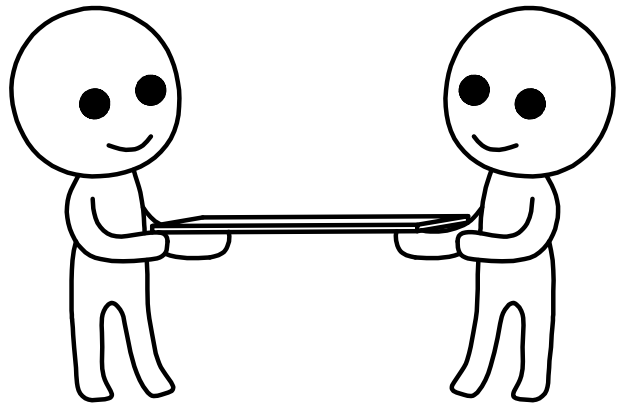
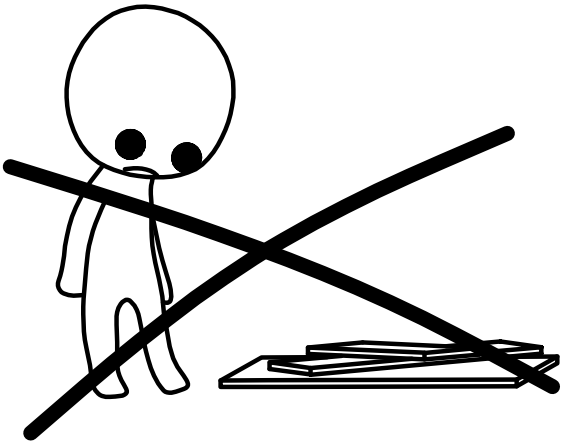
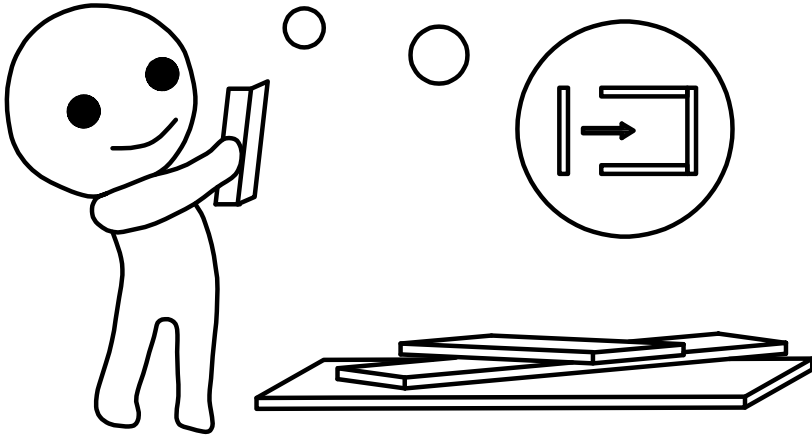
Thanks a lot your support and purchasing.

Please feel free to contact us if you have any questions with assembly or need replacement parts.

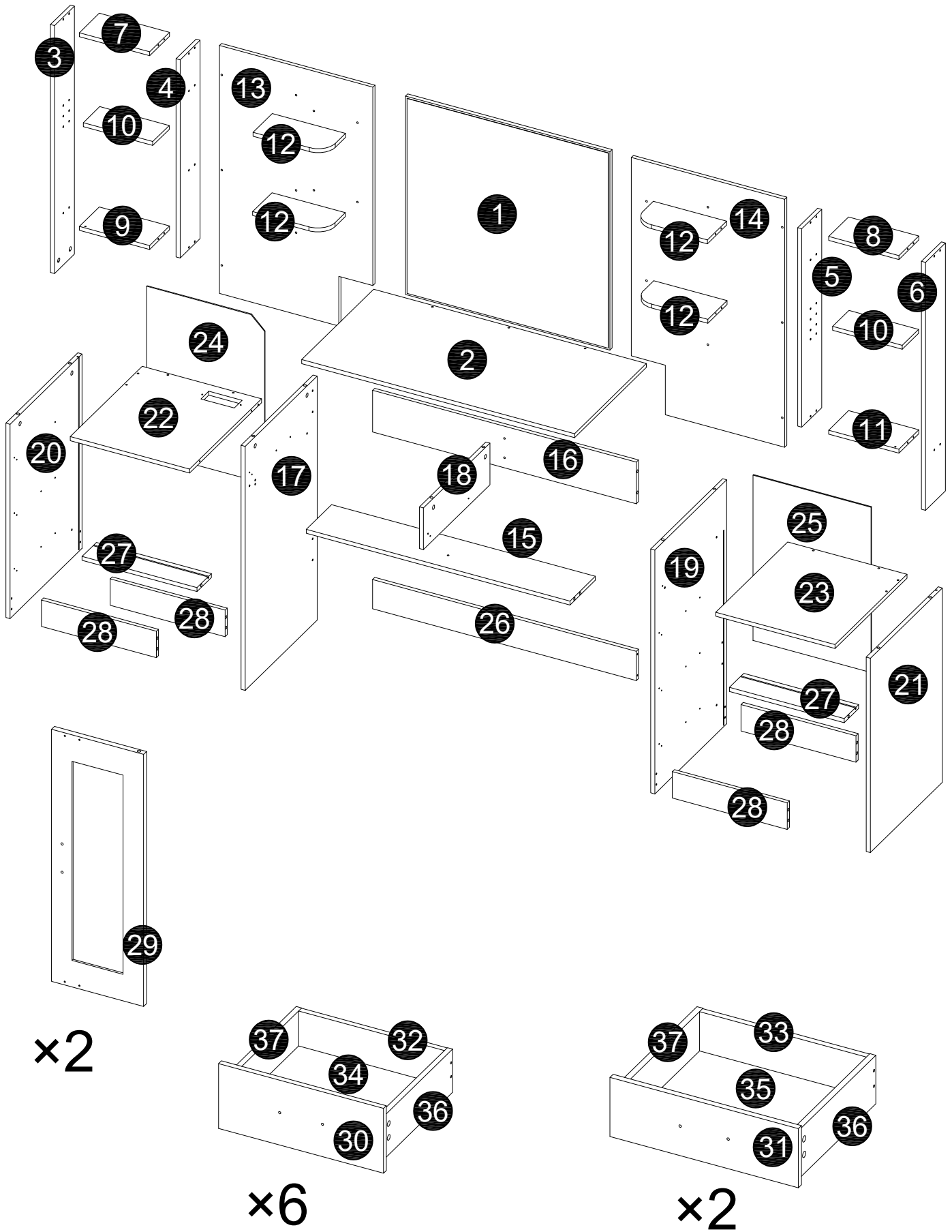
# Assembly Instruction

Decorate your home, Brighten wonderful life

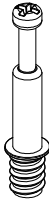

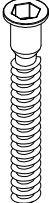
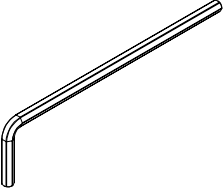
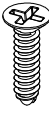

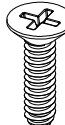


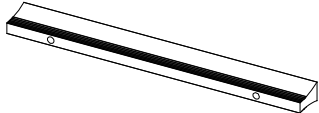
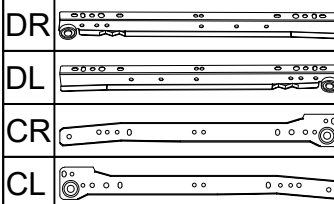
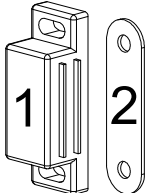
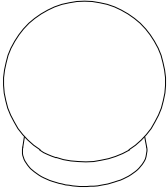
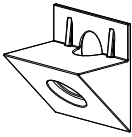
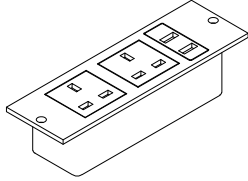
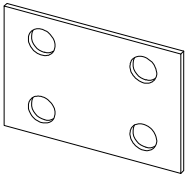
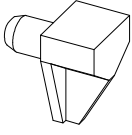

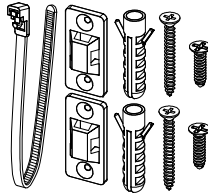




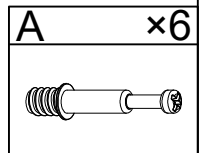
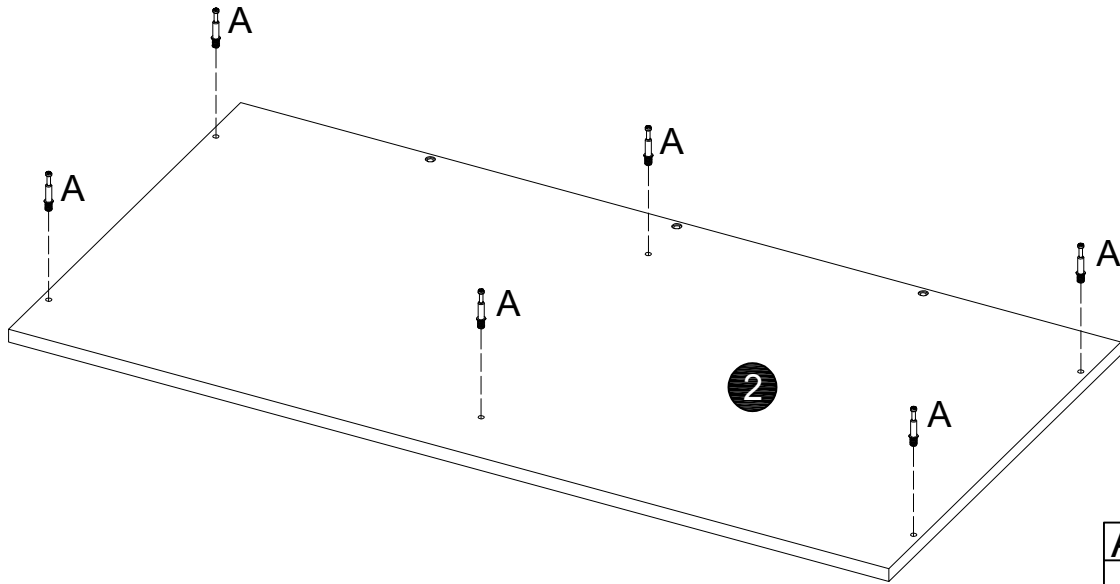
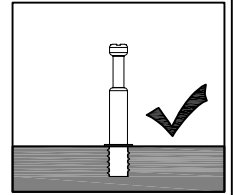
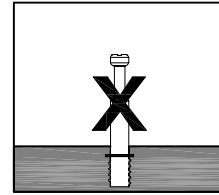
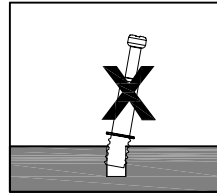
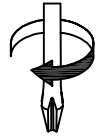
# PLATE NUMBER



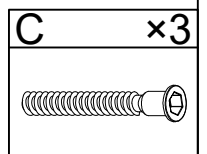
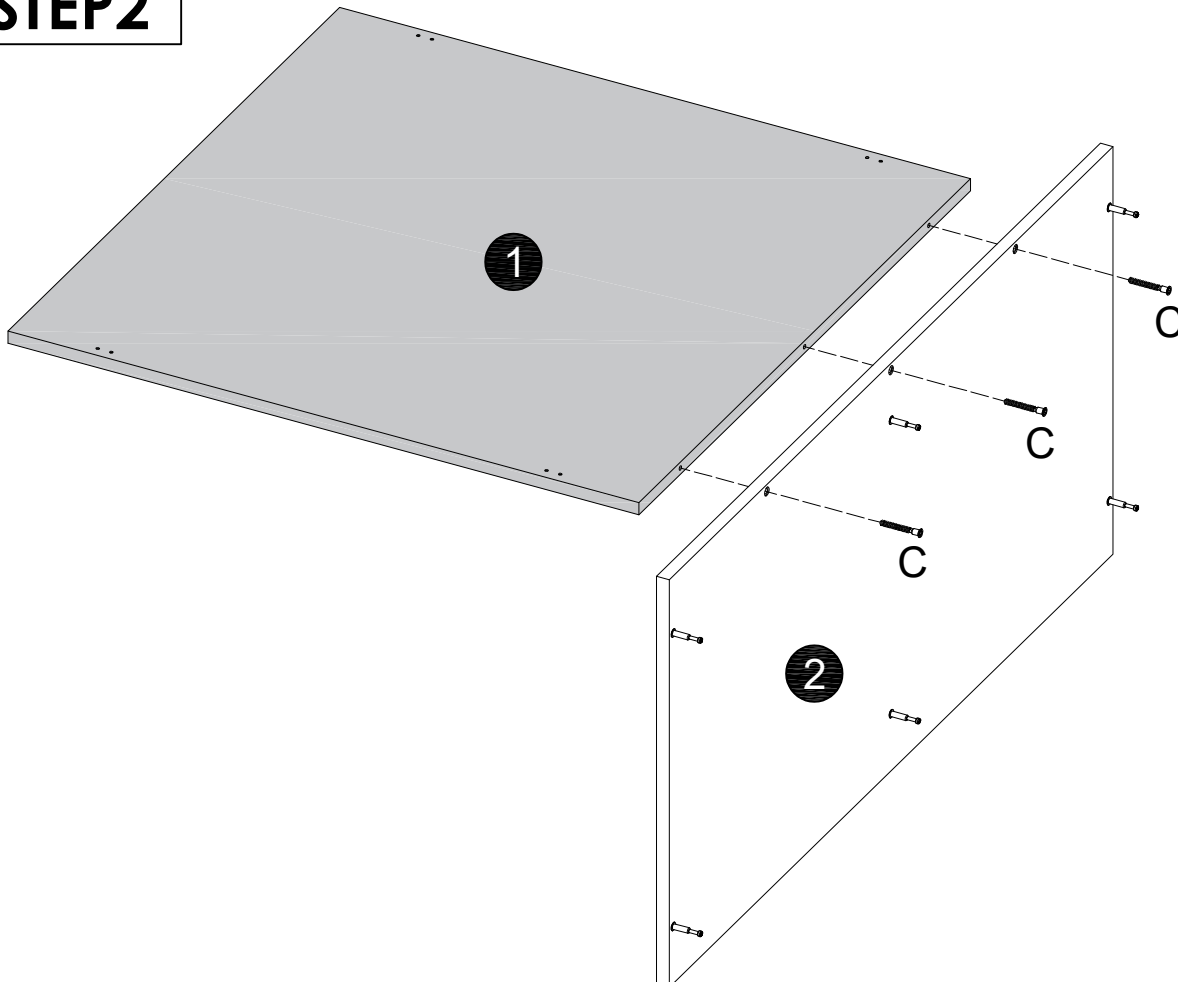
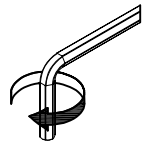
# ACCESSORIES LIST

<p>A <span style="float: right;">×78</span></p> 	<p>B <span style="float: right;">×78</span></p> 	<p>C <span style="float: right;">×90</span></p> 	<p><span style="float: right;">×1</span></p> 
<p>M6×35</p>	<p>12×9.5</p>	<p>M5×40</p>	<p>◇BS</p>
<p>D <span style="float: right;">×130</span></p> 	<p>E <span style="float: right;">×18</span></p> 	<p>F <span style="float: right;">×8</span></p> 	<p>G <span style="float: right;">×20</span></p> 
<p>M3×12</p>	<p>M3.5×12</p>	<p>M3.5×14</p>	<p>M4×14</p>
<p>H <span style="float: right;">×4</span></p> 	<p>J <span style="float: right;">×10</span></p> 	<p>K <span style="float: right;">×8</span></p> 	<p>L <span style="float: right;">×2</span></p> 
<p>THGBD</p>	<p>SKLS-T96</p>	<p>HG-30</p>	<p>MGX</p>
<p>M <span style="float: right;">×1</span></p> 	<p>N <span style="float: right;">×8</span></p> 	<p>Q <span style="float: right;">×1</span></p> 	<p>R <span style="float: right;">×4</span></p> 
<p>BGD-Z×10</p>	<p>BBK</p>	<p>CZ</p>	<p>GDP</p>
<p>S <span style="float: right;">×8</span></p> 	<p>T <span style="float: right;">×4</span></p> 	<p>V <span style="float: right;">×1</span></p> 	
<p>CBT</p>	<p>M3×14</p>		

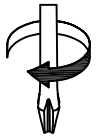
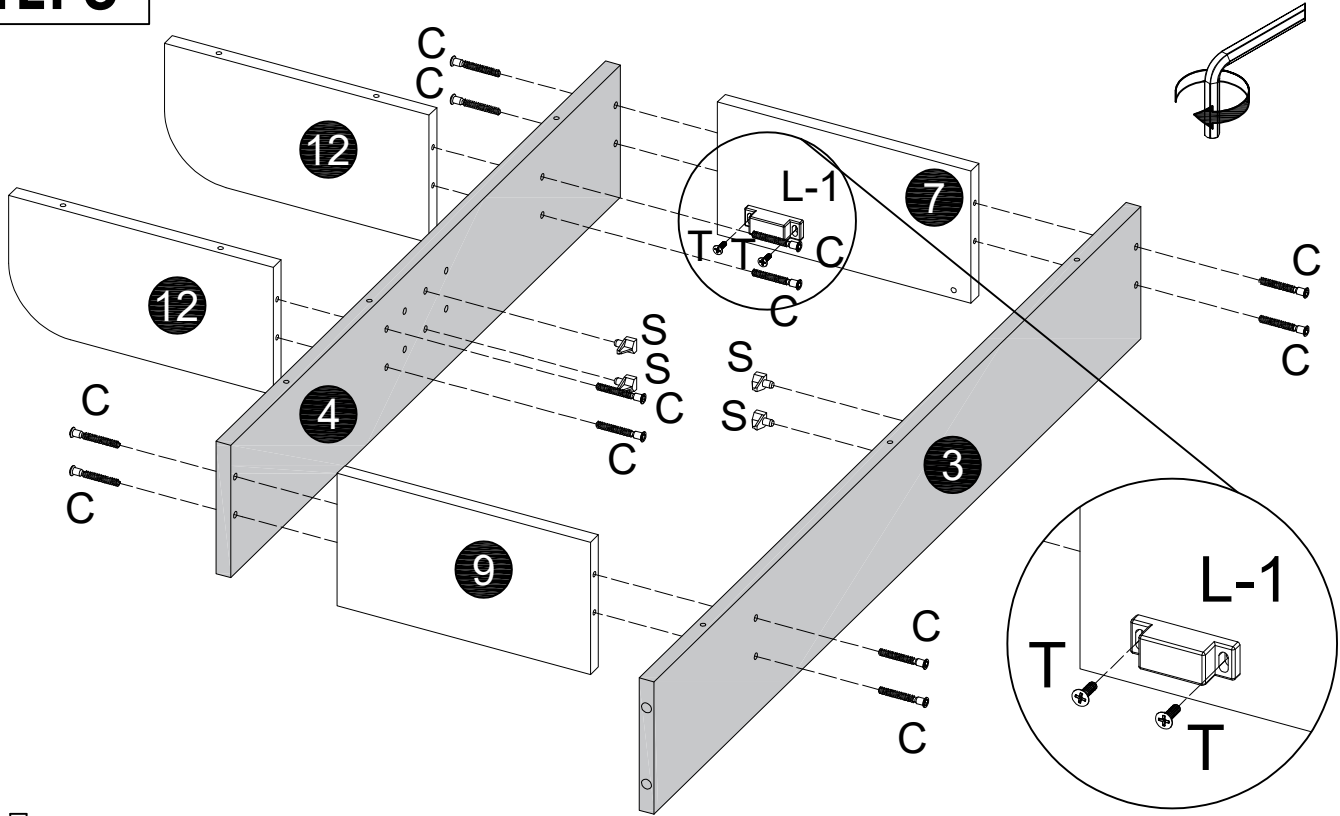
# STEP 1



# STEP 2

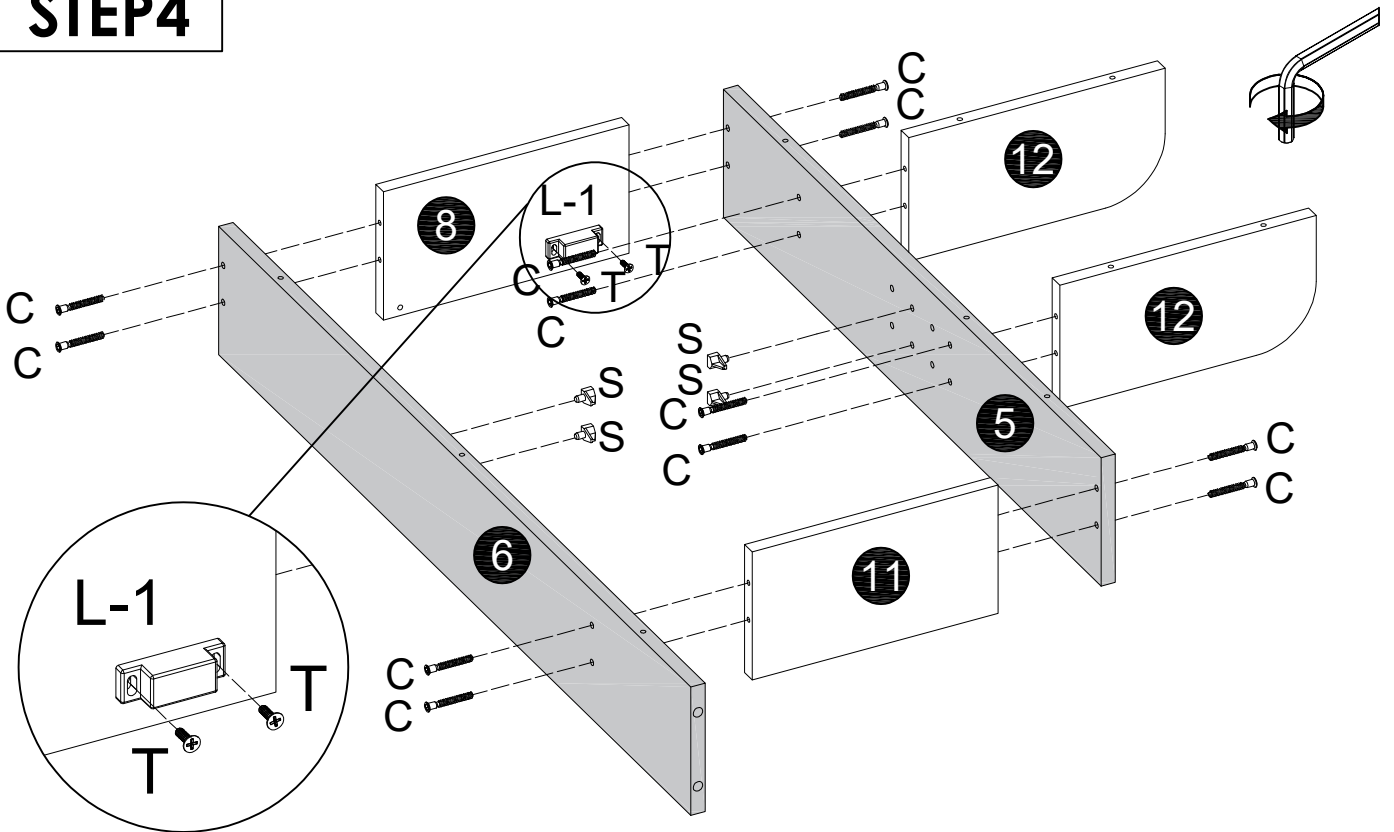


# STEP 3



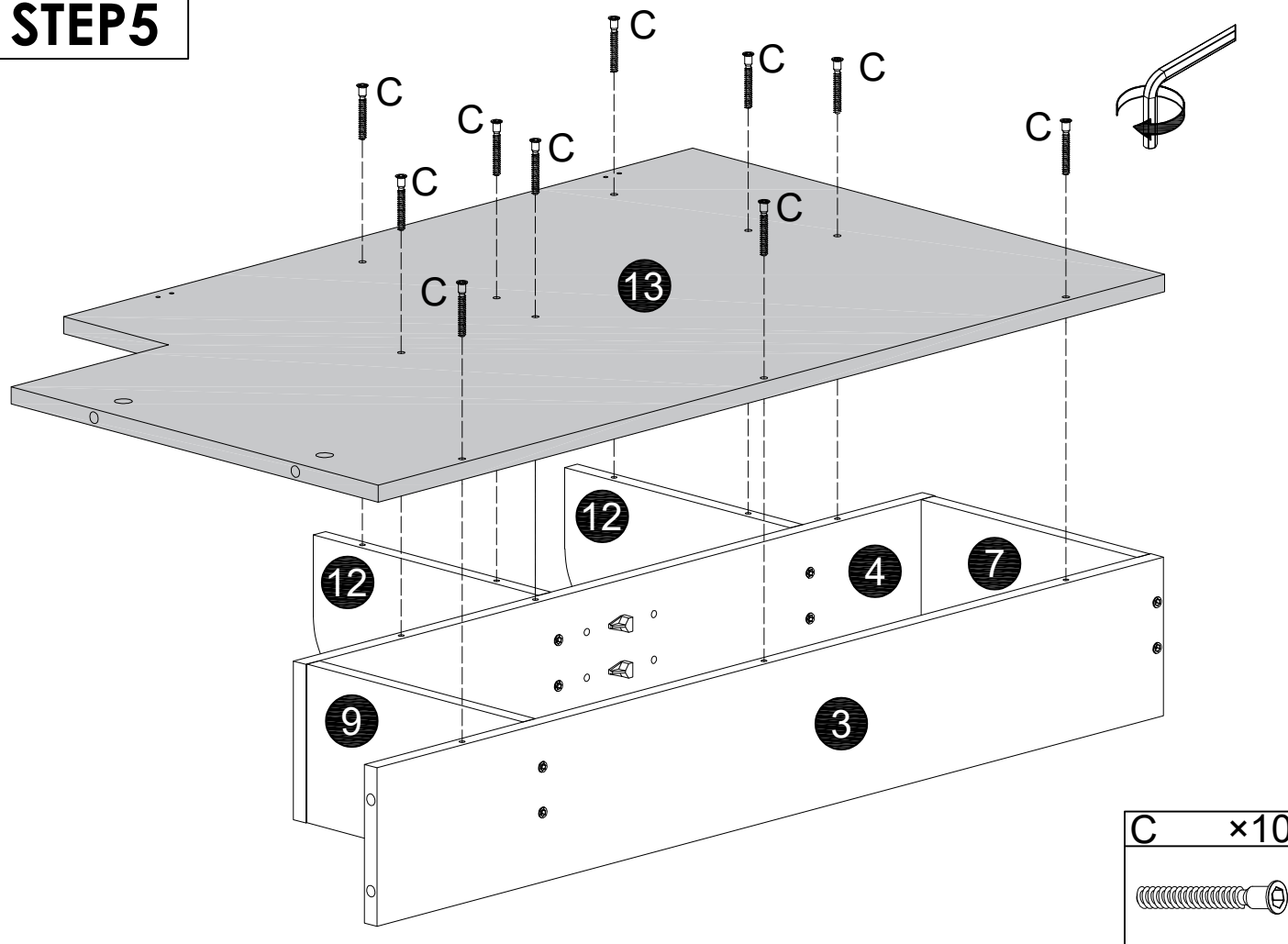
C	x12	L-1	x1	S	x4	T	x2

# STEP 4

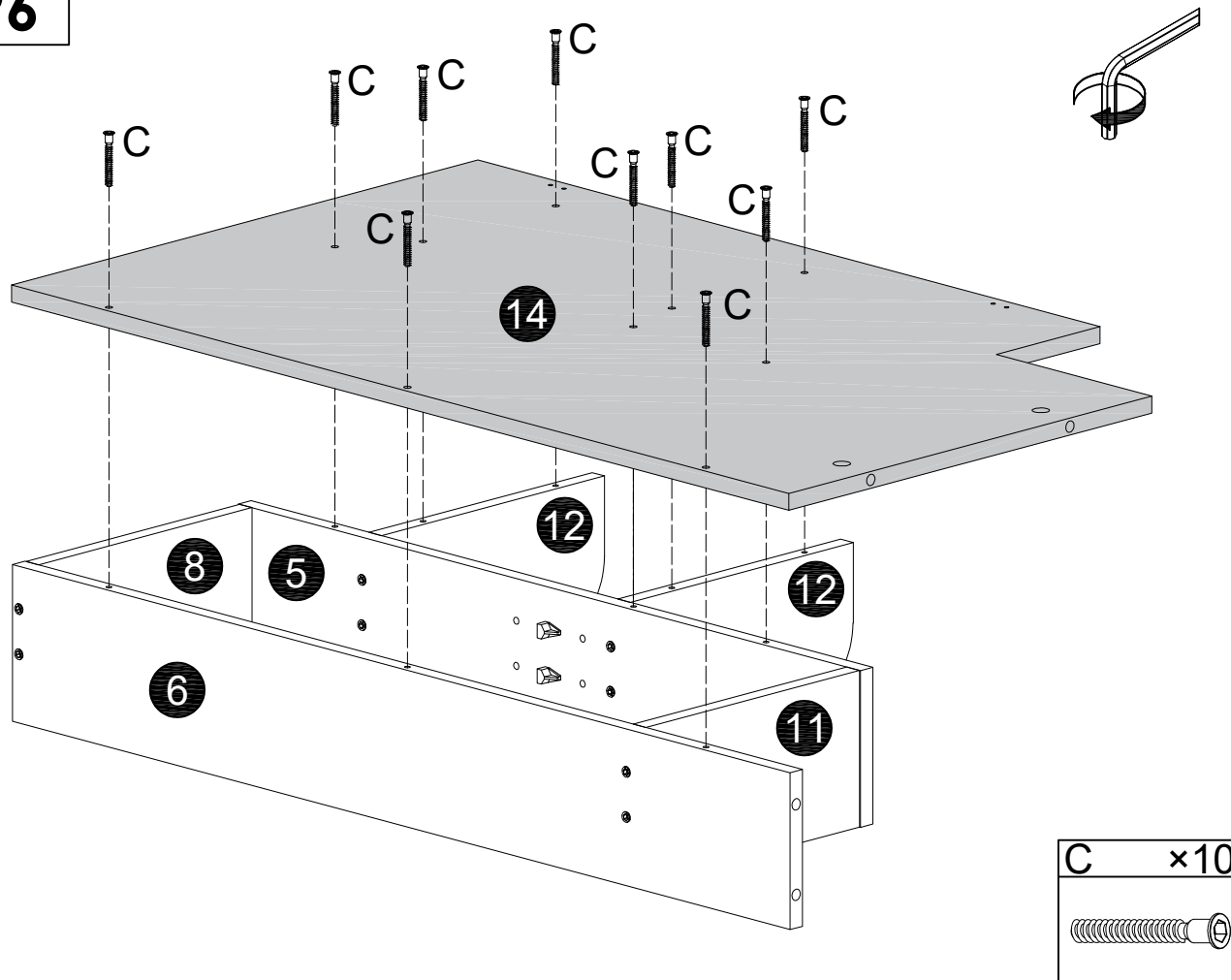


C	x12	L-1	x1	S	x4	T	x2

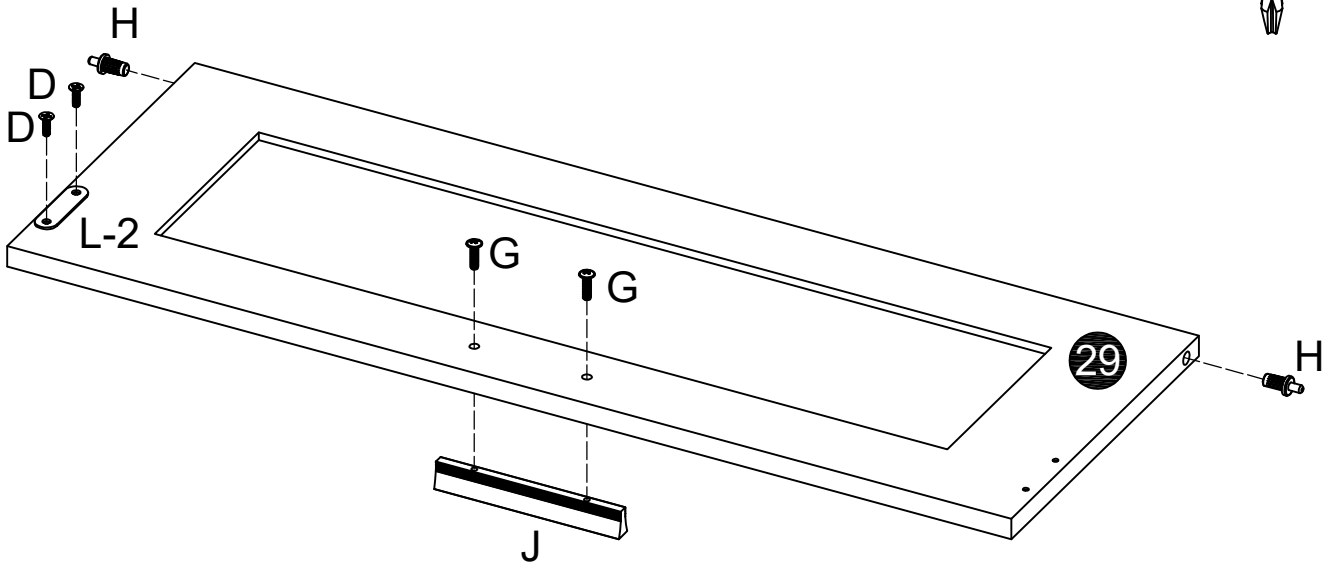
# STEP 5



# STEP 6

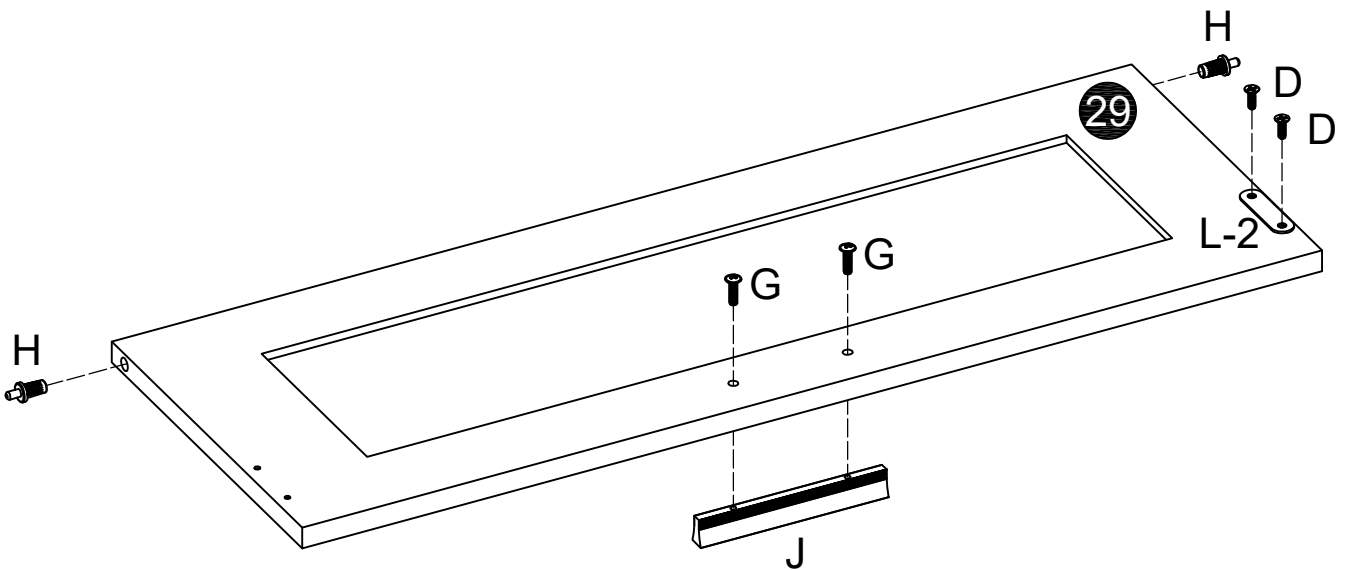
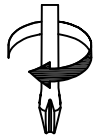


# STEP 7



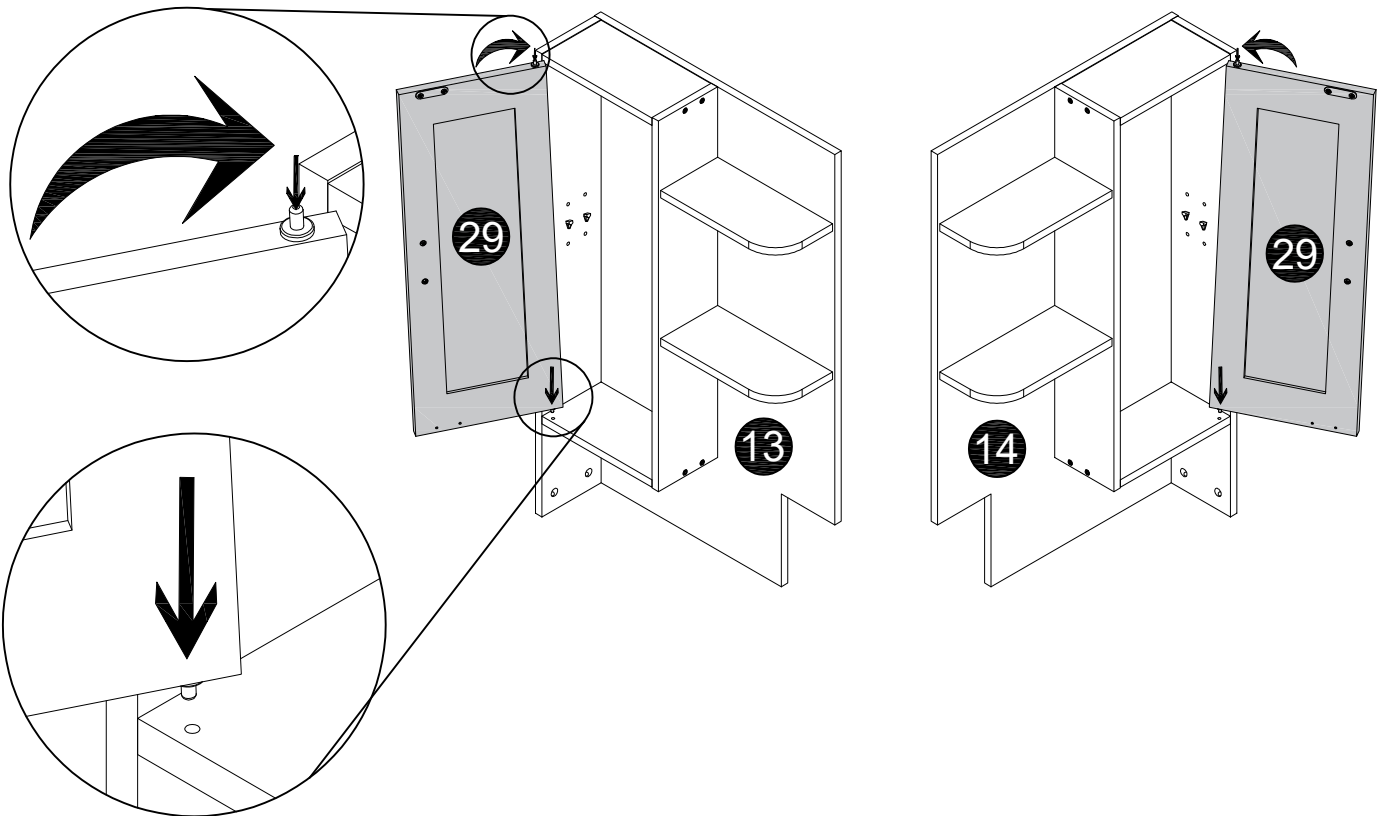
D	x2	G	x2	H	x2	J	x1	L-2	x1

# STEP 8



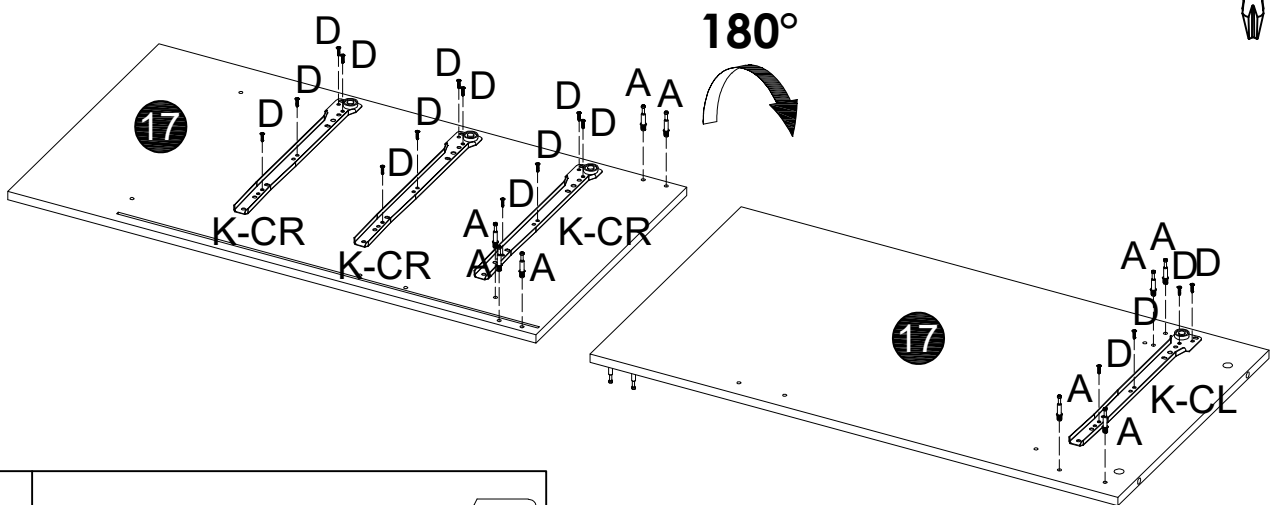
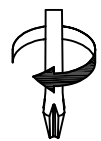
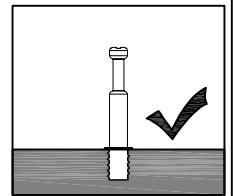
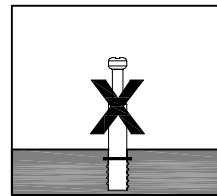
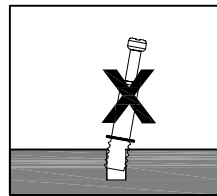
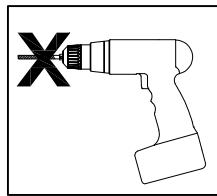
D	x2	G	x2	H	x2	J	x1	L-2	x1

# STEP 9



# STEP 10

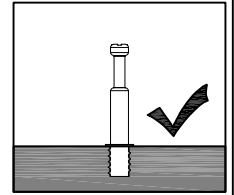
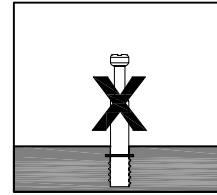
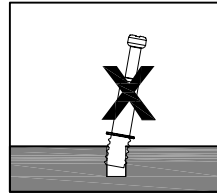
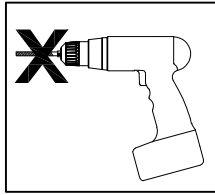
Iron Rod A is prohibited from using an electric drill.



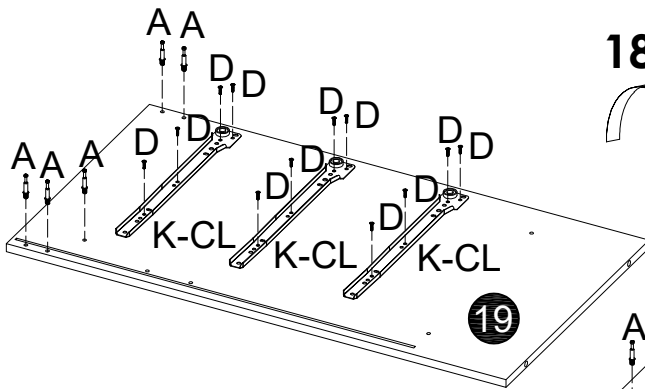
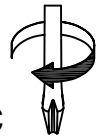
CR	
CL	

A	x9	D	x16	K	x1	x3
				CL		CR

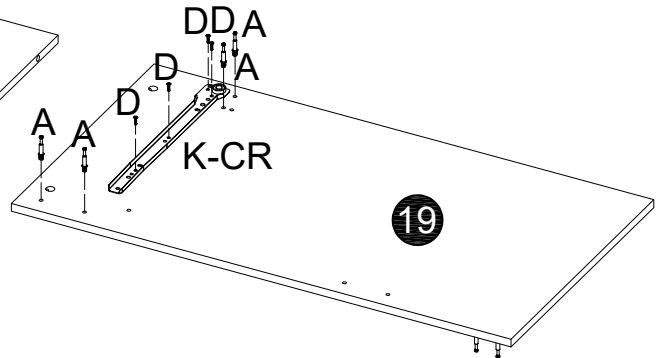
# STEP 11



Iron Rod A is prohibited from using an electric drill.



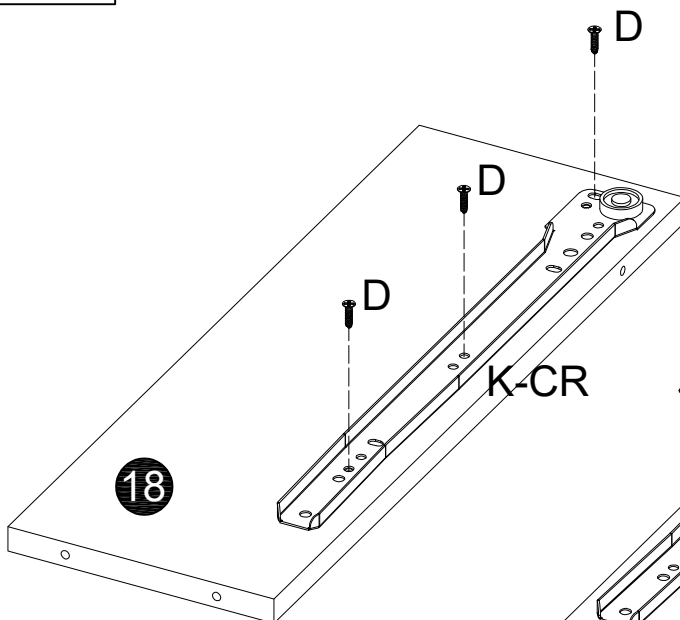
180°



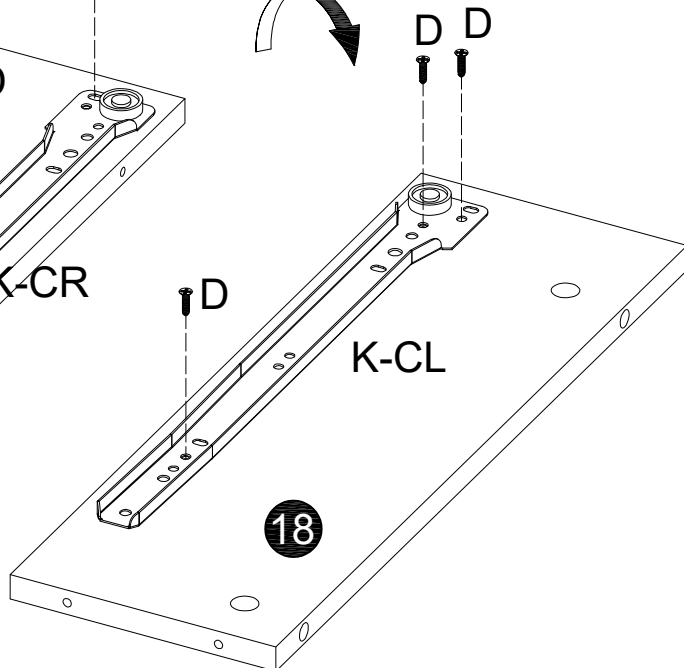
CR	
CL	

A	x9	D	x16	K	x3		x1
				CL			CR

# STEP 12



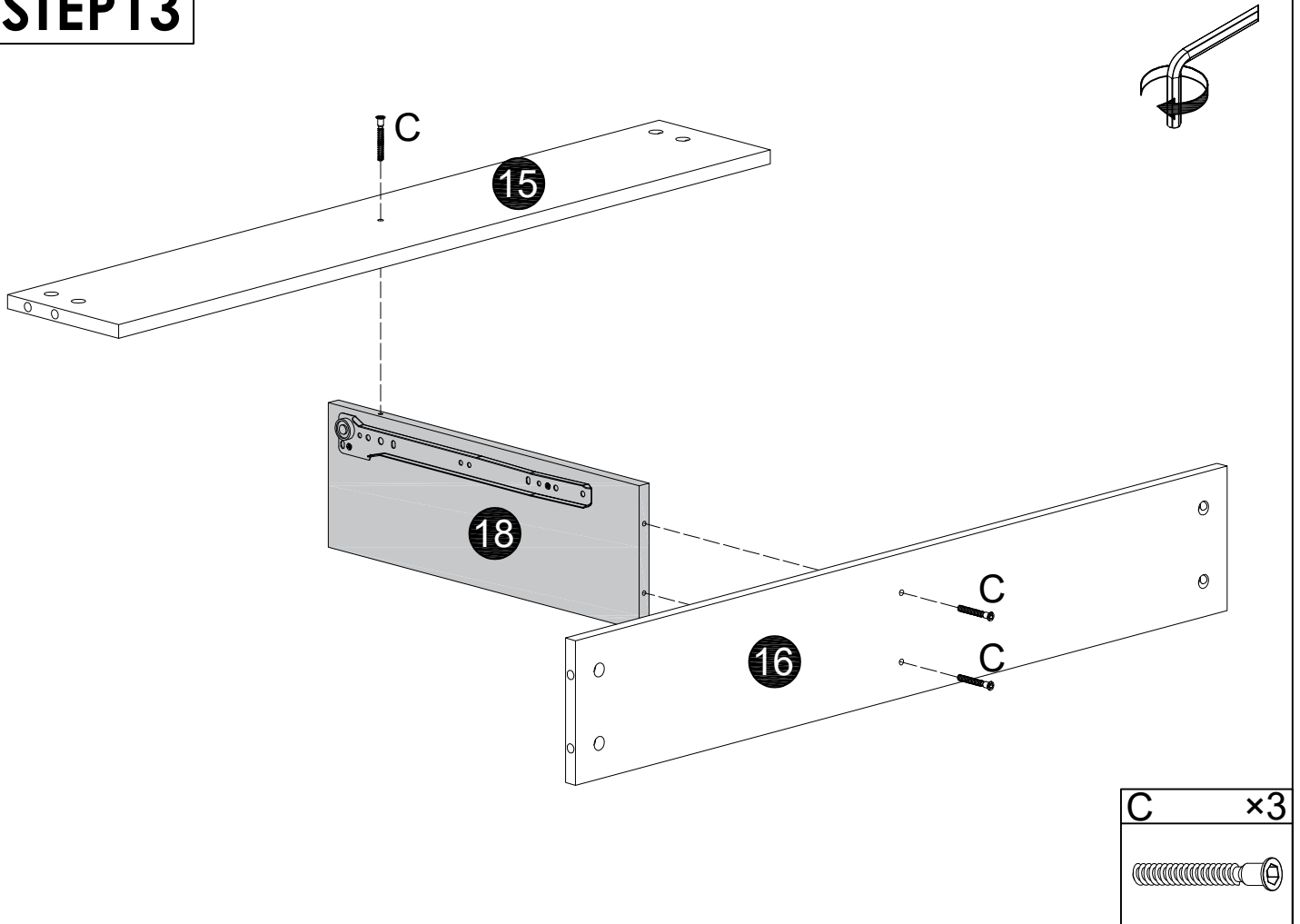
180°



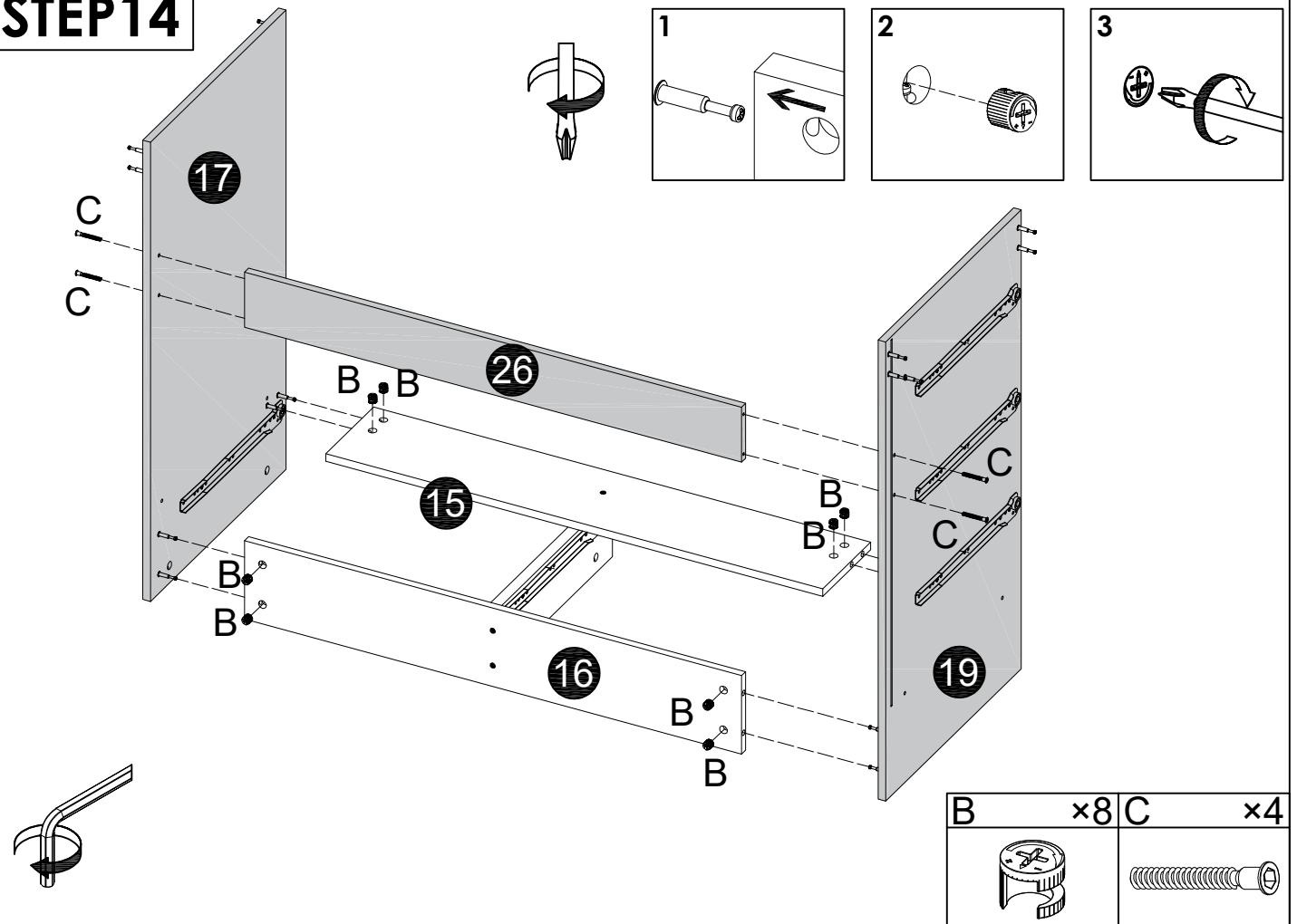
CR	
CL	

D	x6	K	x1
		CL	CR

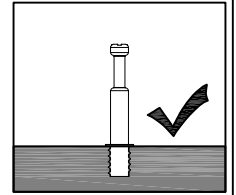
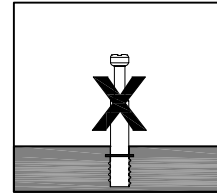
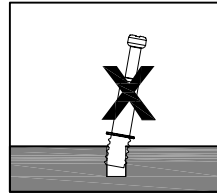
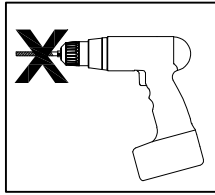
# STEP 13



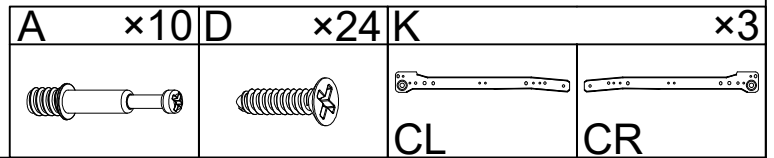
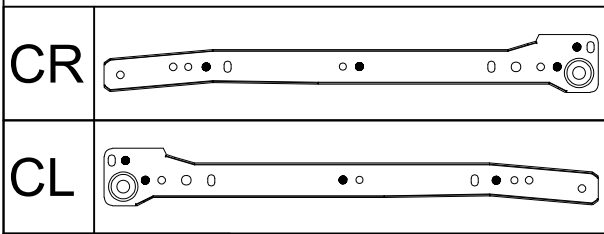
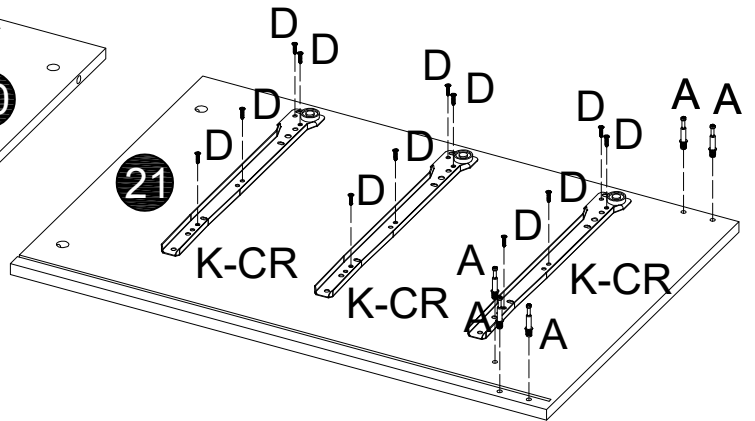
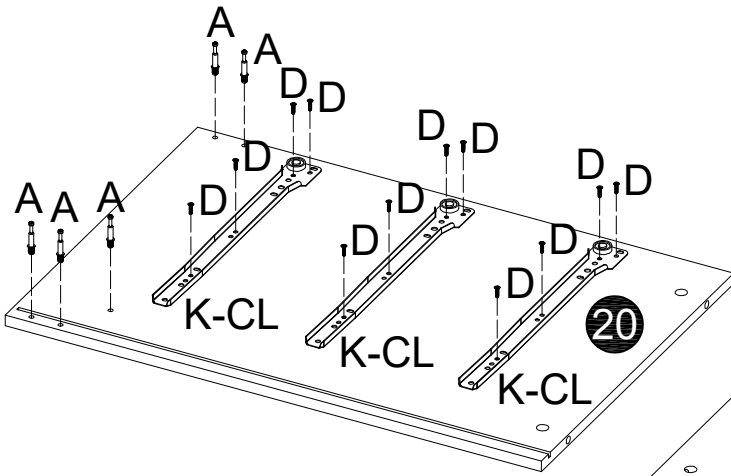
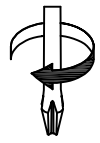
# STEP 14



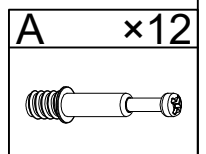
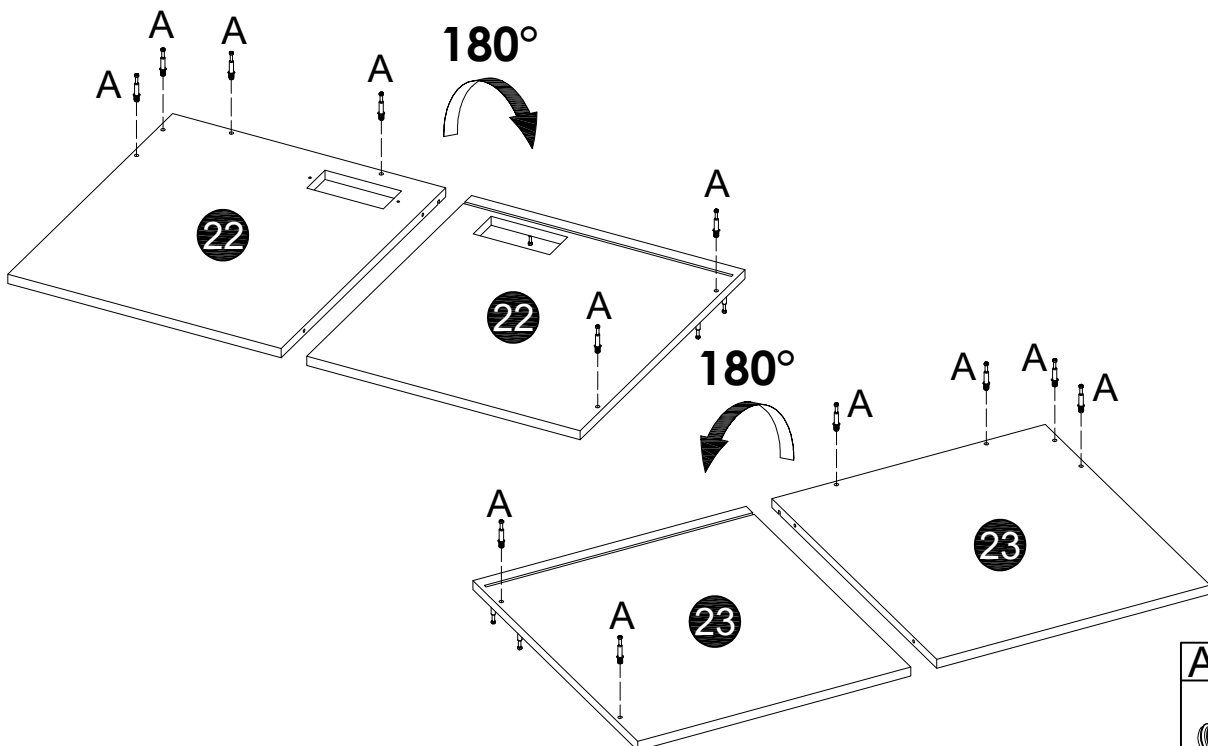
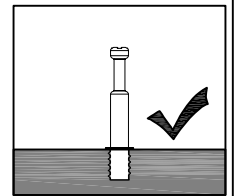
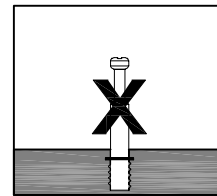
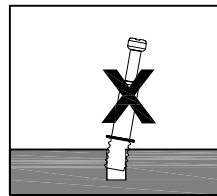
# STEP 15



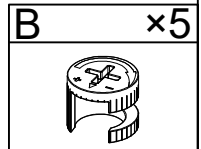
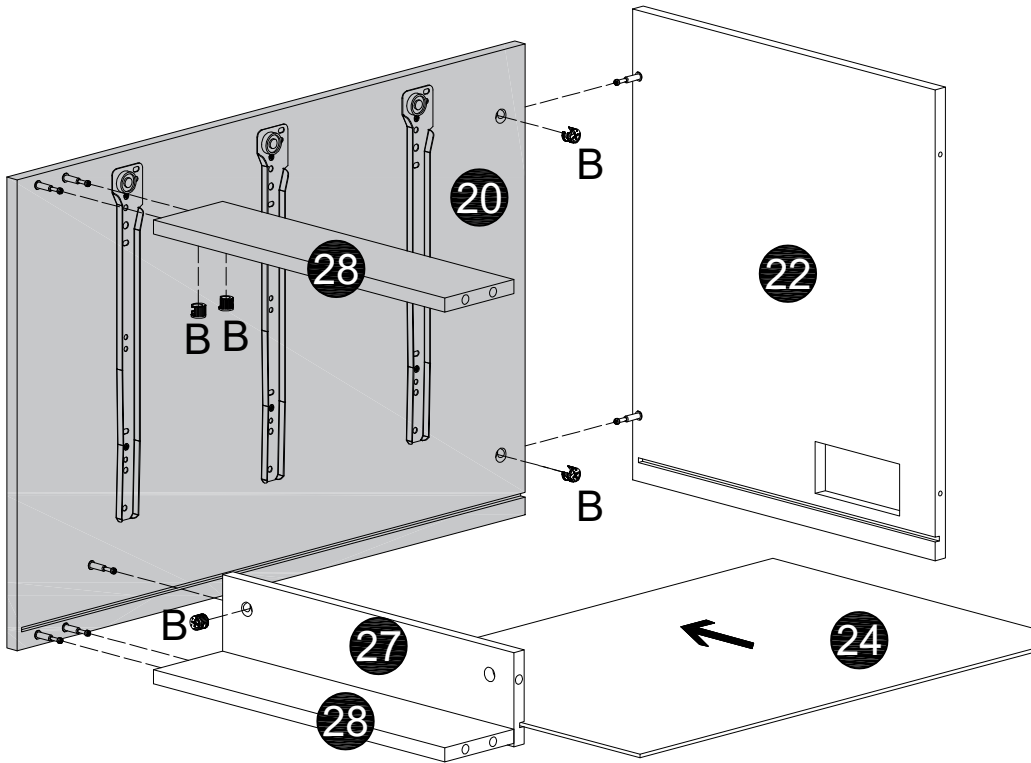
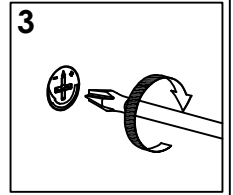
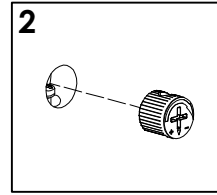
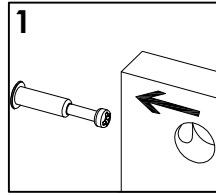
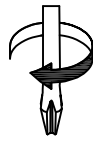
Iron Rod A is prohibited from using an electric drill.



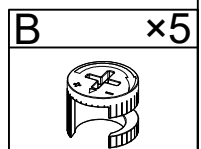
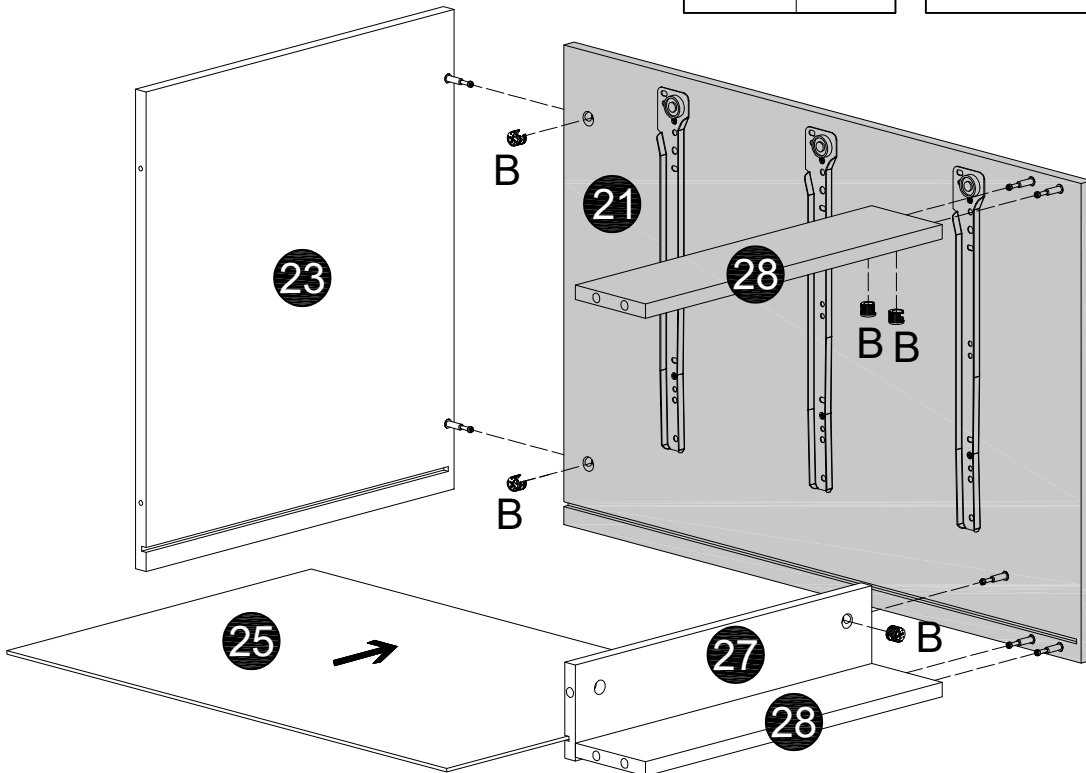
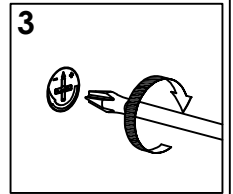
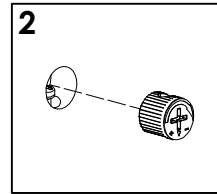
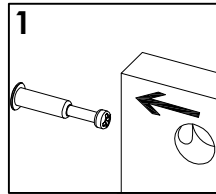
# STEP 16



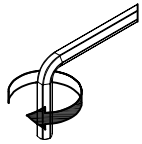
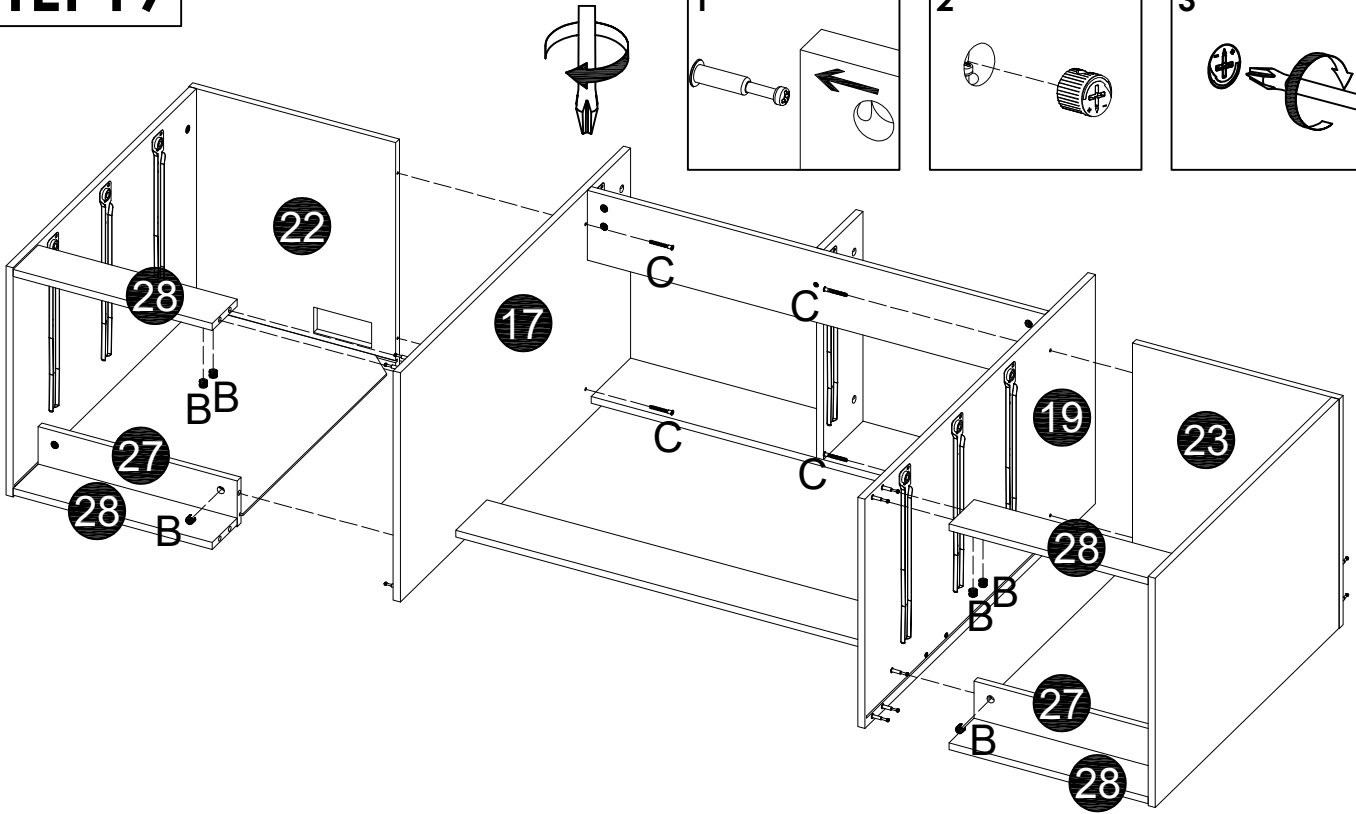
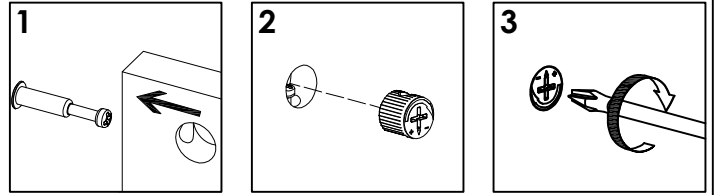
# STEP 17



# STEP 18

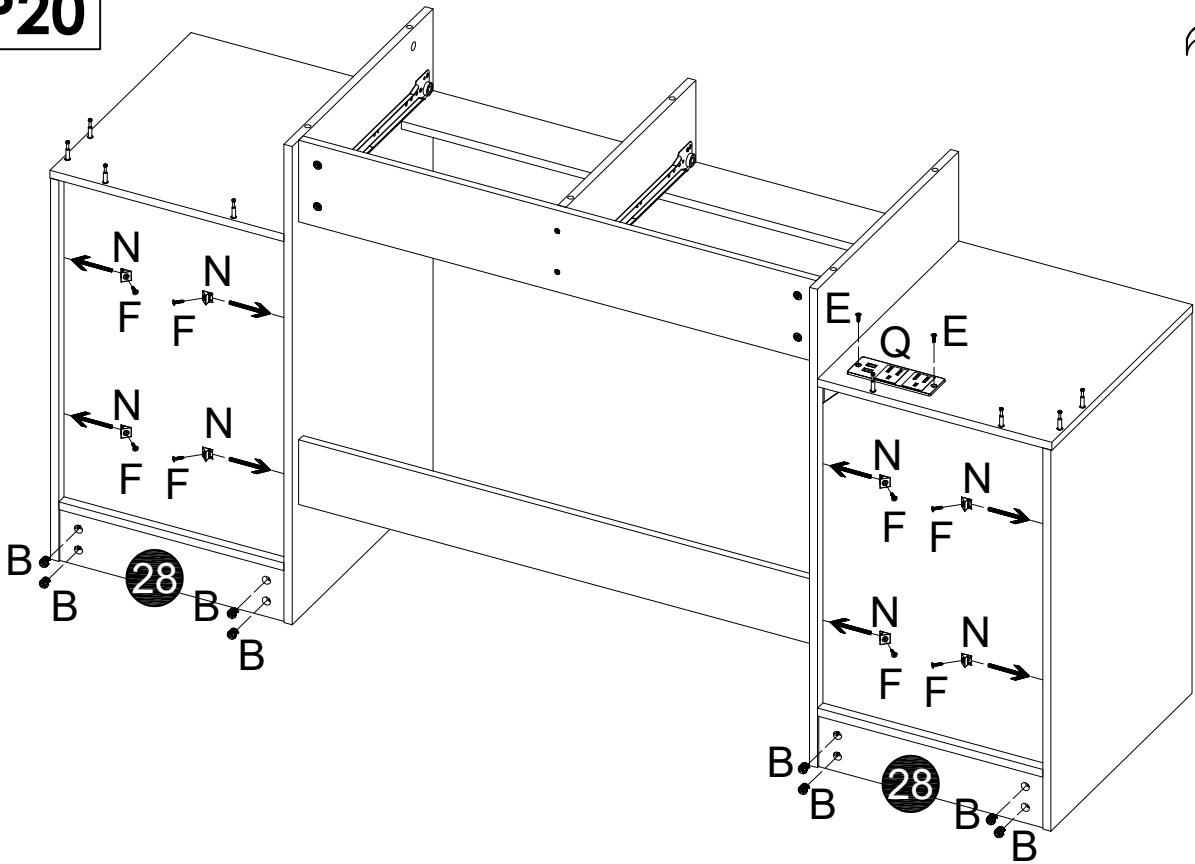


# STEP 19



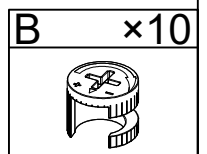
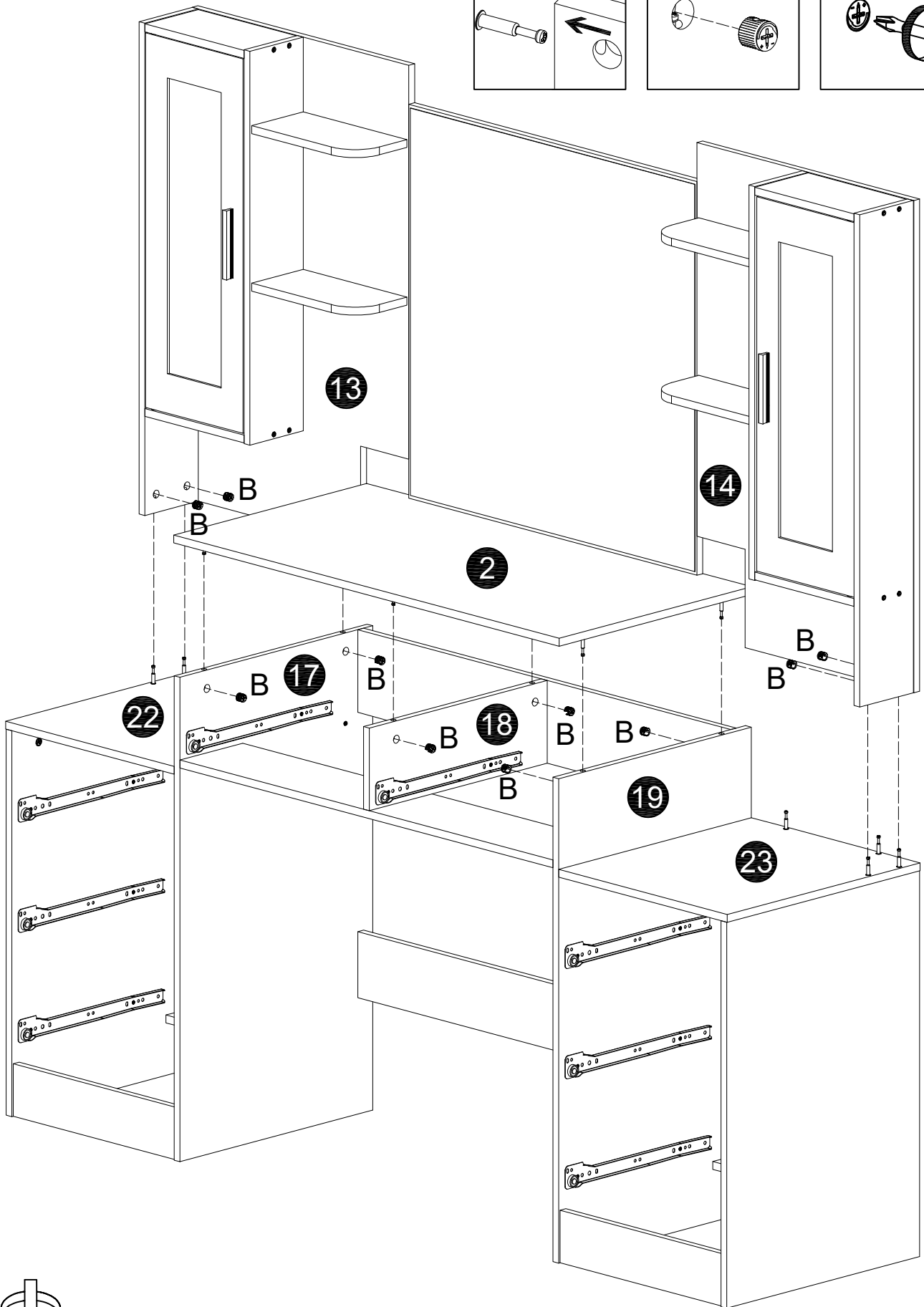
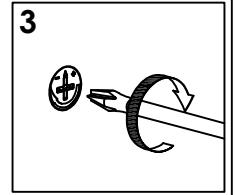
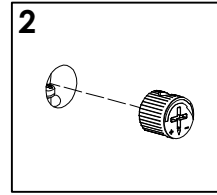
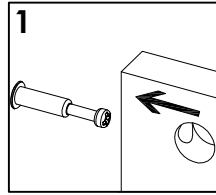
B	x6	C	x4

# STEP 20

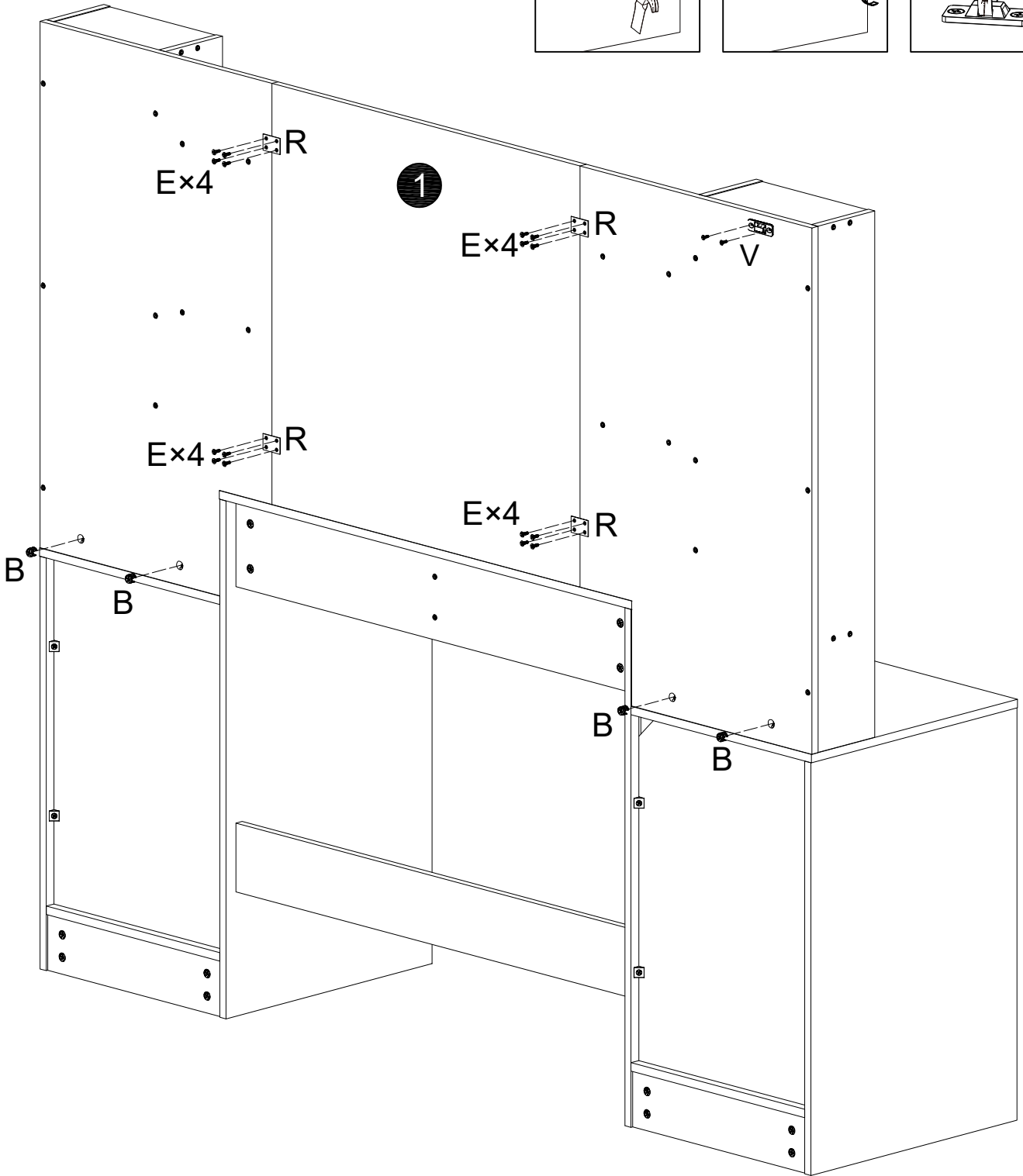
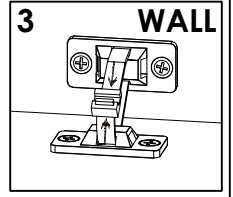
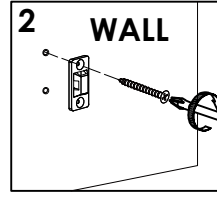
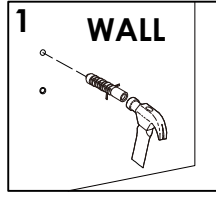
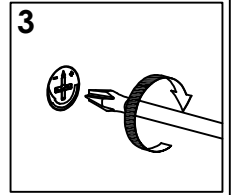
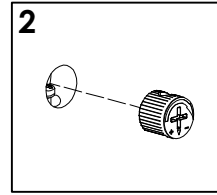
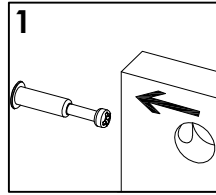
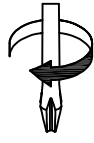


B	x8	E	x2	F	x8	N	x8	Q	x1

# STEP 21

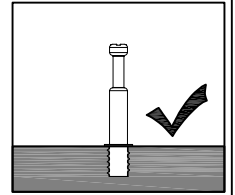
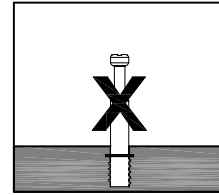
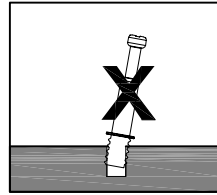
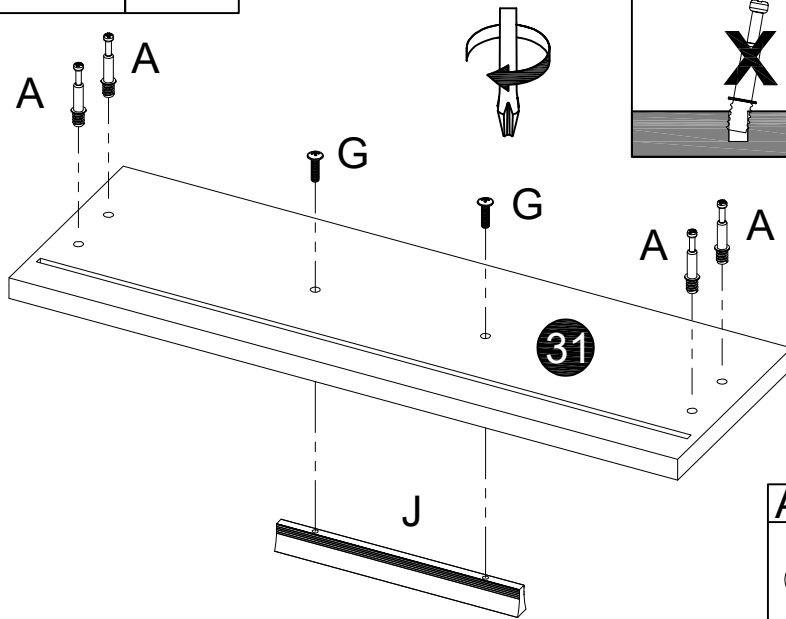


# STEP 22



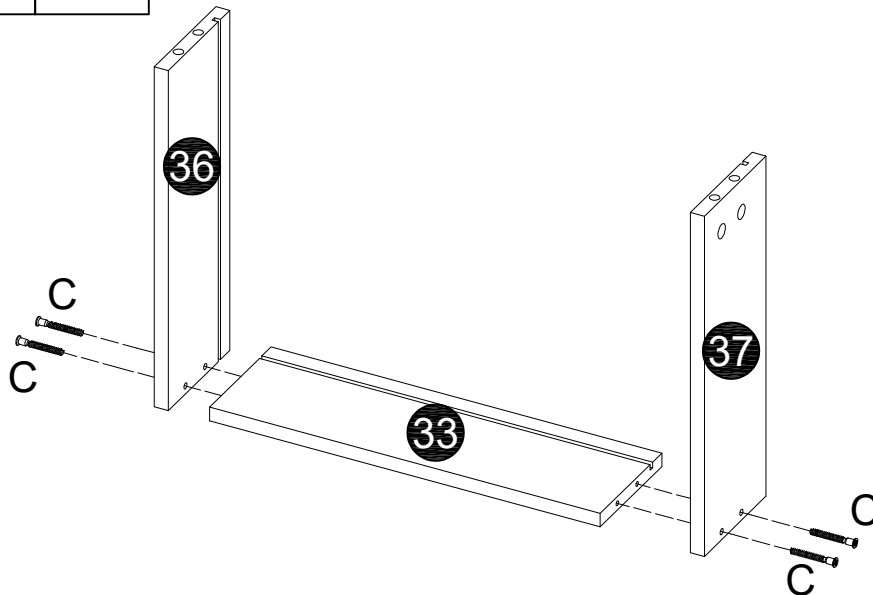
B	x4	E	x16	R	x4	V	x1

# STEP 23 ×2



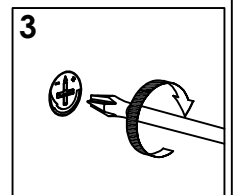
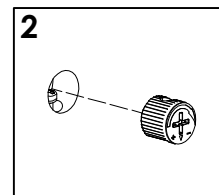
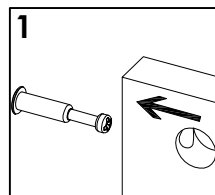
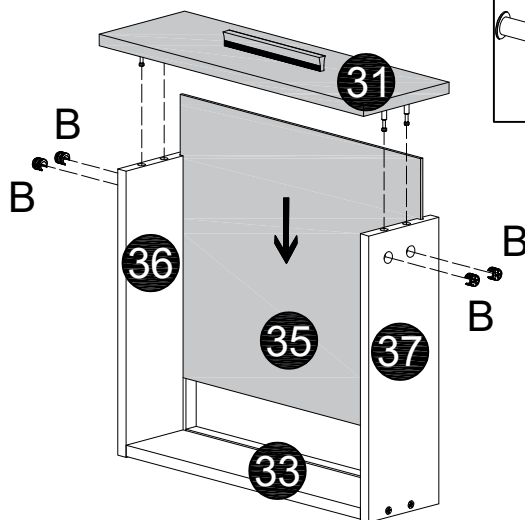
A	×8	G	×4	J	×2

# STEP 24 ×2



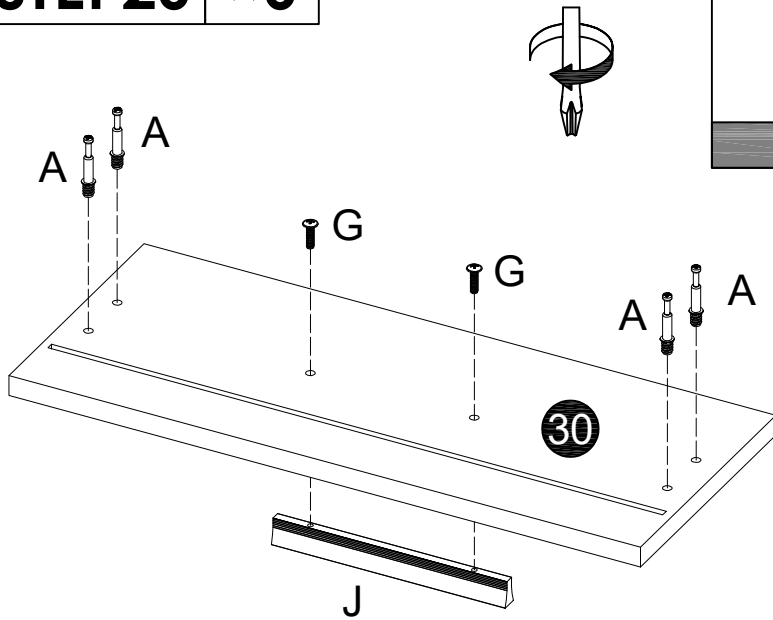
C	×8

# STEP 25 ×2



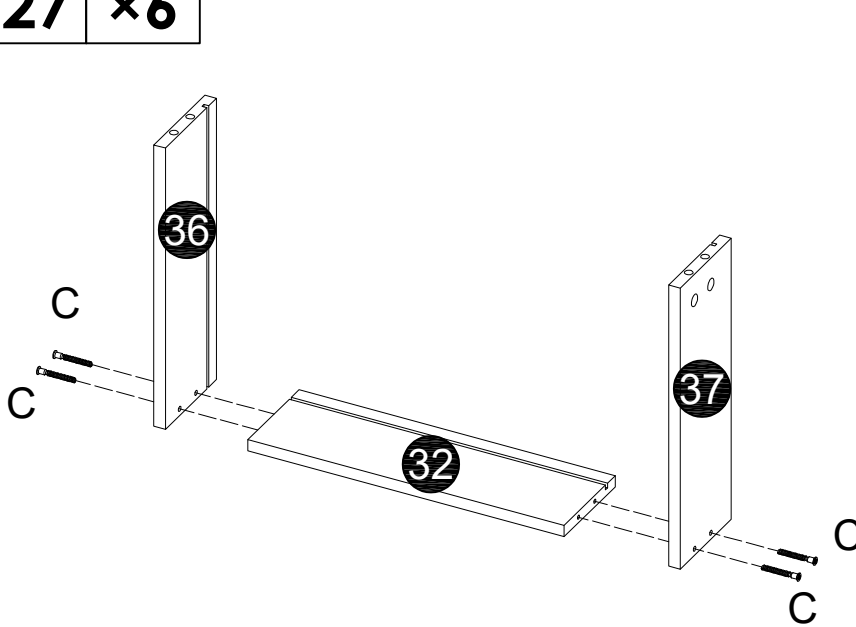
B	×8

**STEP 26** ×6



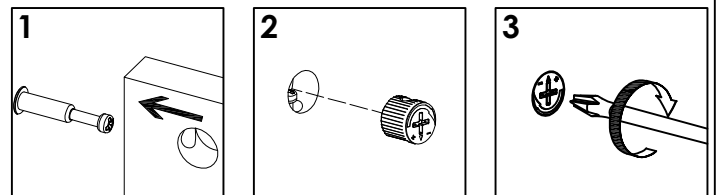
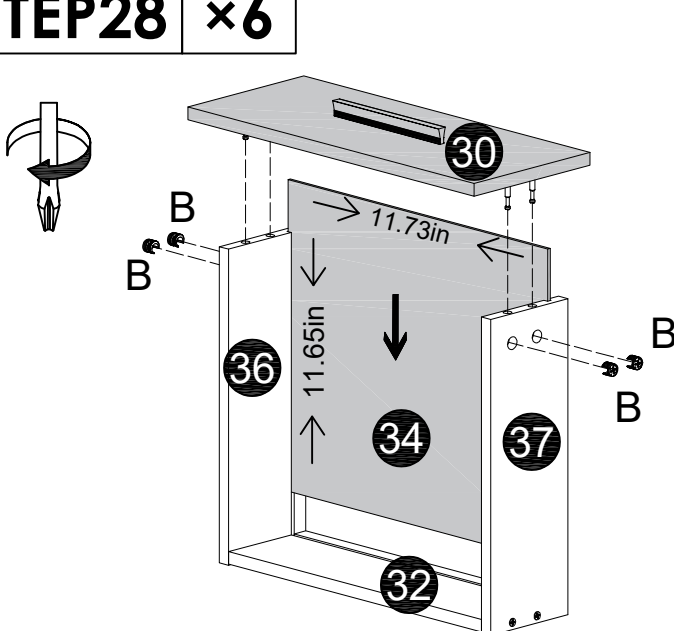
A	×24	G	×12	J	×6

**STEP 27** ×6



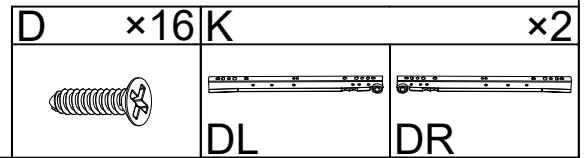
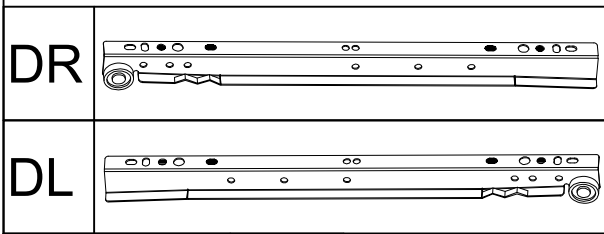
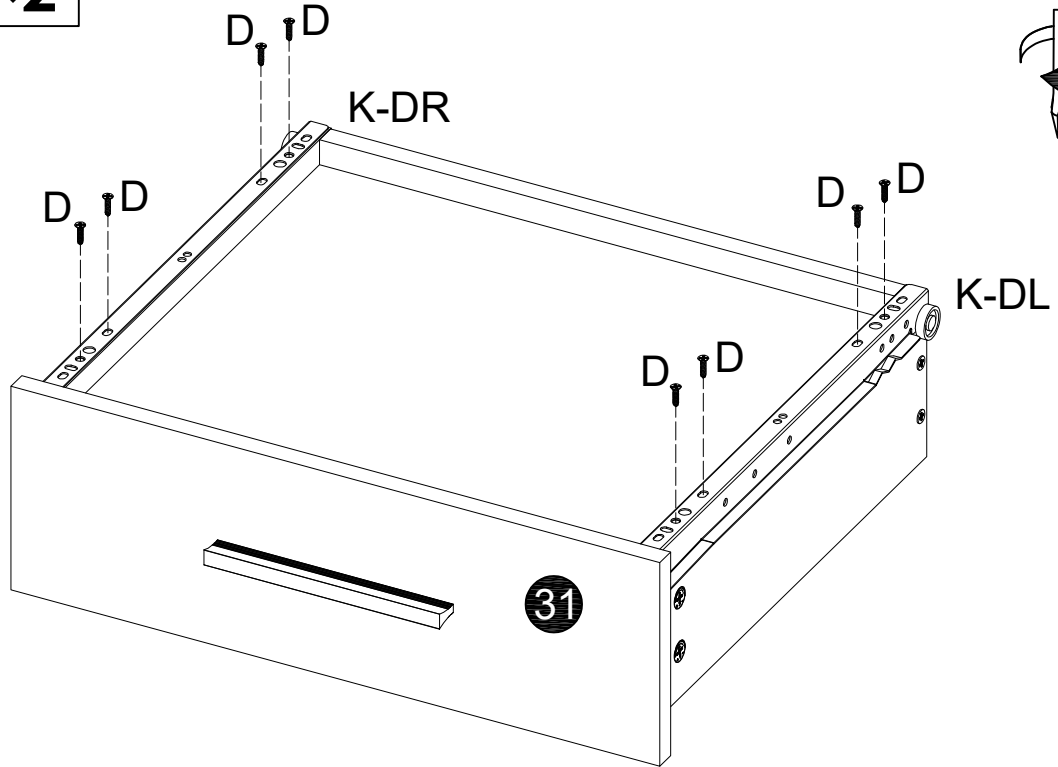
C	×24

**STEP 28** ×6

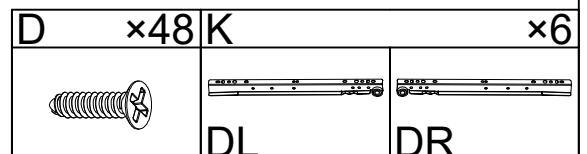
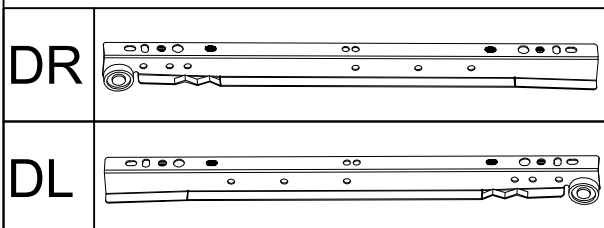
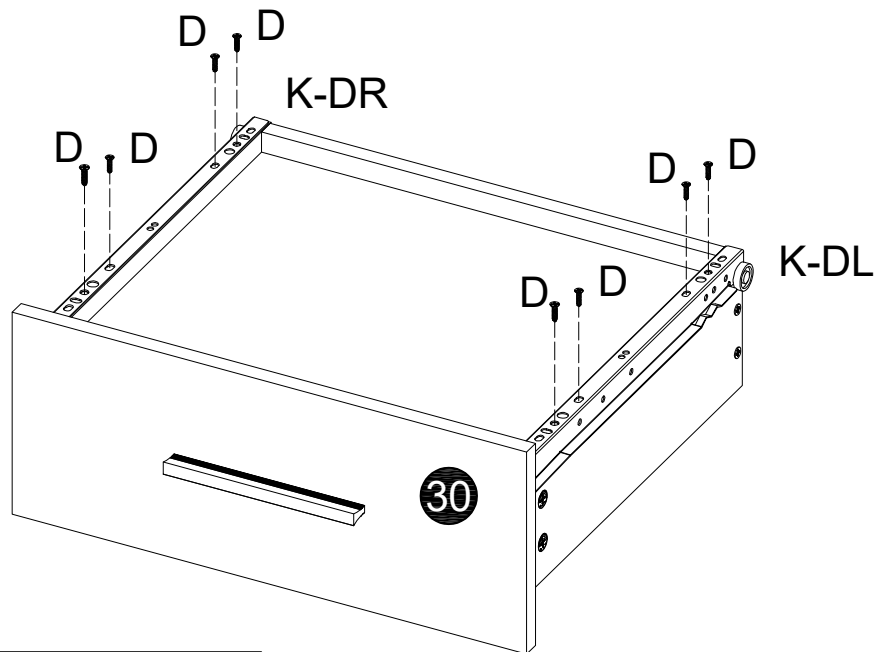


B	×24

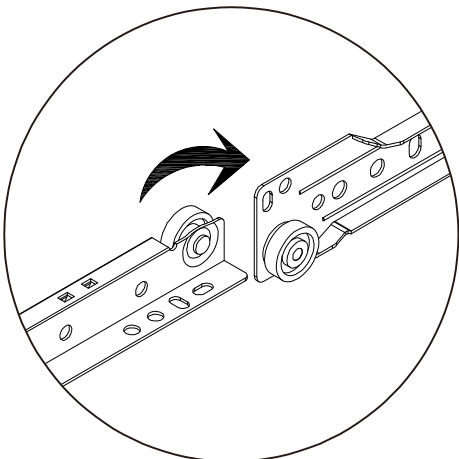
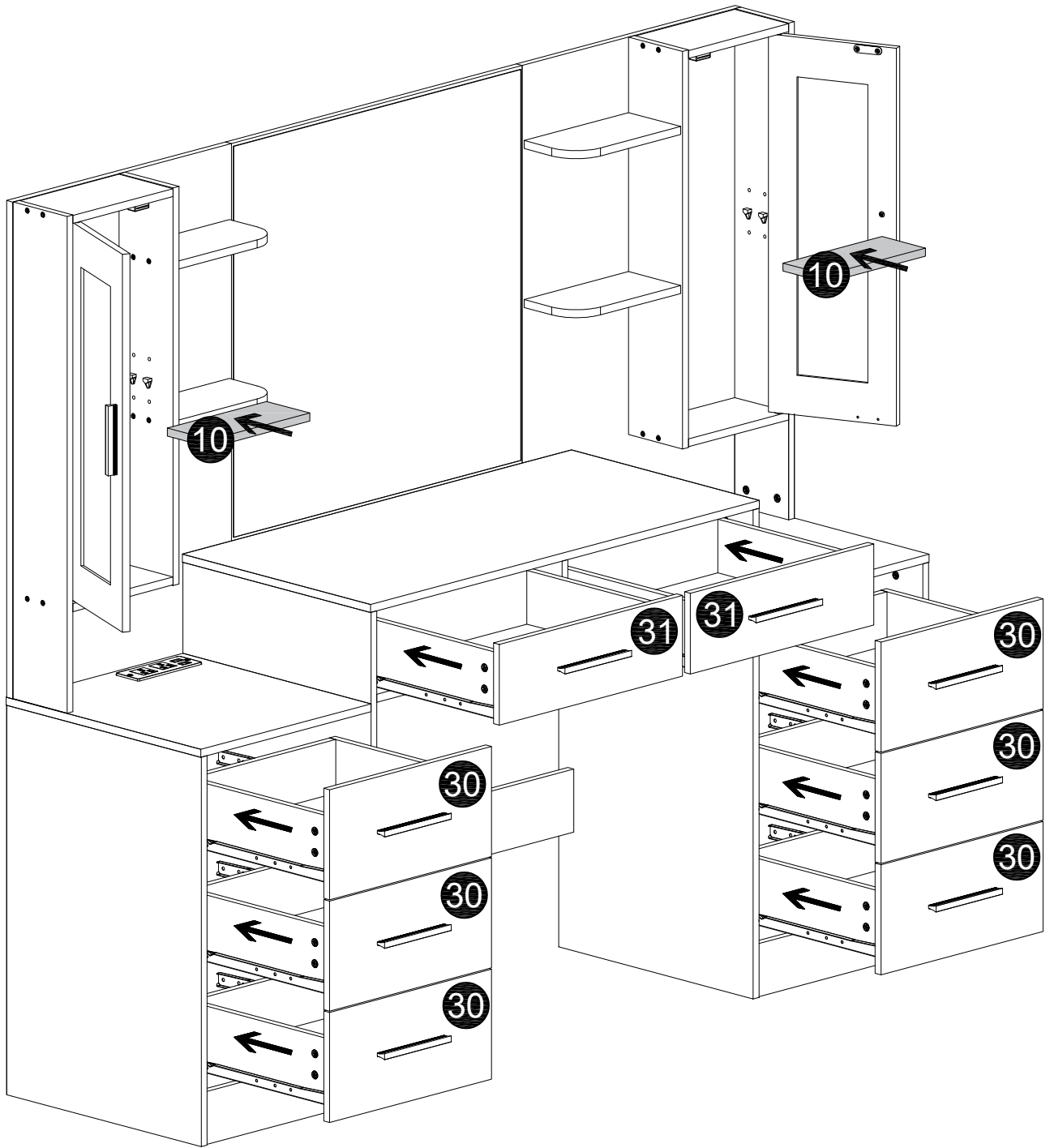
**STEP 29** ×2



**STEP 30** ×6



# STEP 31



# STEP 32

