

# ASSEMBLY INSTRUCTIONS

Thank you for purchasing this quality Product. Be sure to check all packing material carefully for small parts, which may have come loose inside carton during shipment. identify and count all parts and compare with the parts list below.

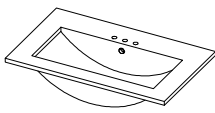

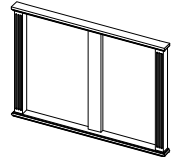

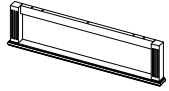

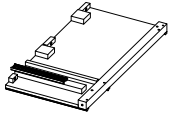


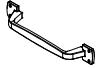
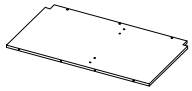






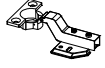



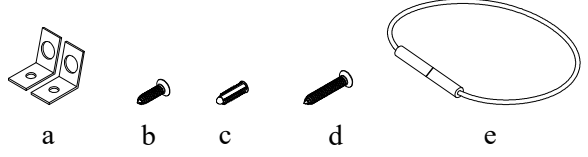
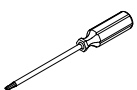



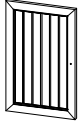

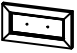

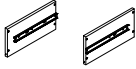
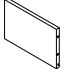



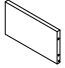
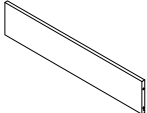
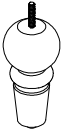
## ASSEMBLY INSTRUCTION:

1. Remove hardware from box and sort by size.
2. Please check to see that all hardware and parts are present prior start of assembly.
3. Please follow attached instruction in the same sequence as numbered above fast and easy assembly.

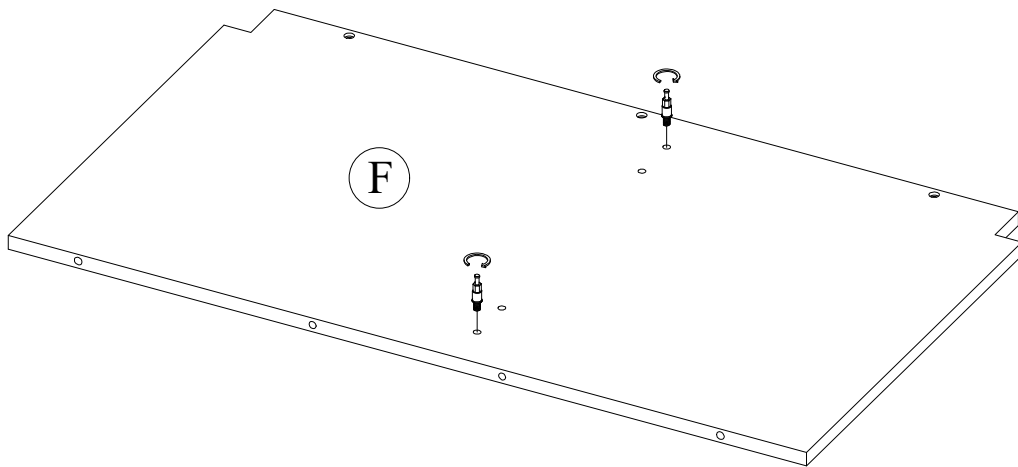
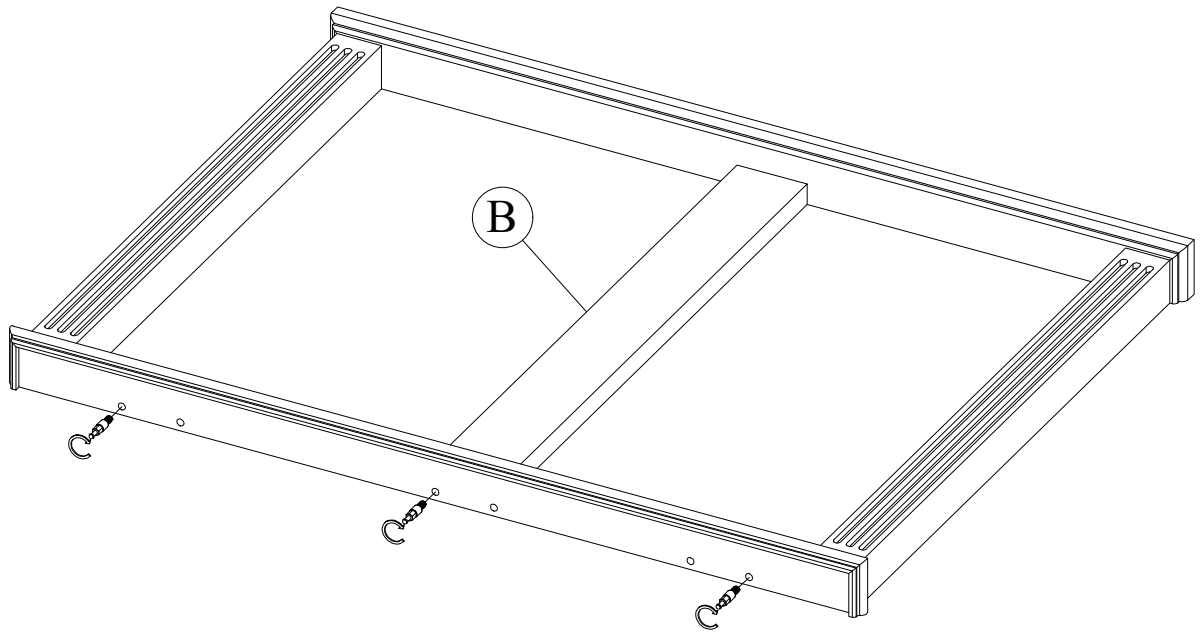
## WARNING!

1. Do not attempt to repair or modify parts that are broken or defective. Please contact the store immediately.
2. This product is for home use only and not intended for commercial establishments.
3. Two persons are required for assembly.
4. Approximate assembly time 1/2 hours.
5. Component parts and fittings contained in the box. Please sort out all parts before you begin to assemble the item. This is to make sure you always use the correct part.
6. It is **STRONGLY RECOMMENDED** that you **ANCHOR** this product. Tying furniture can cause serious injuries and death. To prevent your furniture from tipping forward it is strongly recommended that you securely attach this product to a wall or other solid surface, using the anchor straps provided appropriate fixings.

No.	Component	Q'ty	No.	Hardware	Q'ty
A	 Sink	1	1	 Allen Bolts 1/4"x35	10
B	 Front side - top	1	2	 Cam lock screws	5
C	 Front side - bottom	1	3	 Cam lock	5
D	 Side panel - Left	1	4	 Wooden	45
E	 Side panel - right	1	5	 Handle	4
F	 Bottom	1	6	 Knot	1
G	 Back panel - top	1	7	 Screws M4x25	9
H	 Back panel - bottom	1	8	 Screws 4x25	27
			9	 Allen key	1
			10	 Hinges	2
			11	 Screws 4x15	12
			12	 Angle Bracket	2
			13	 Screws 4x15	8
			14	 a b c d e Wall brackets 1 set	
				 Not included	

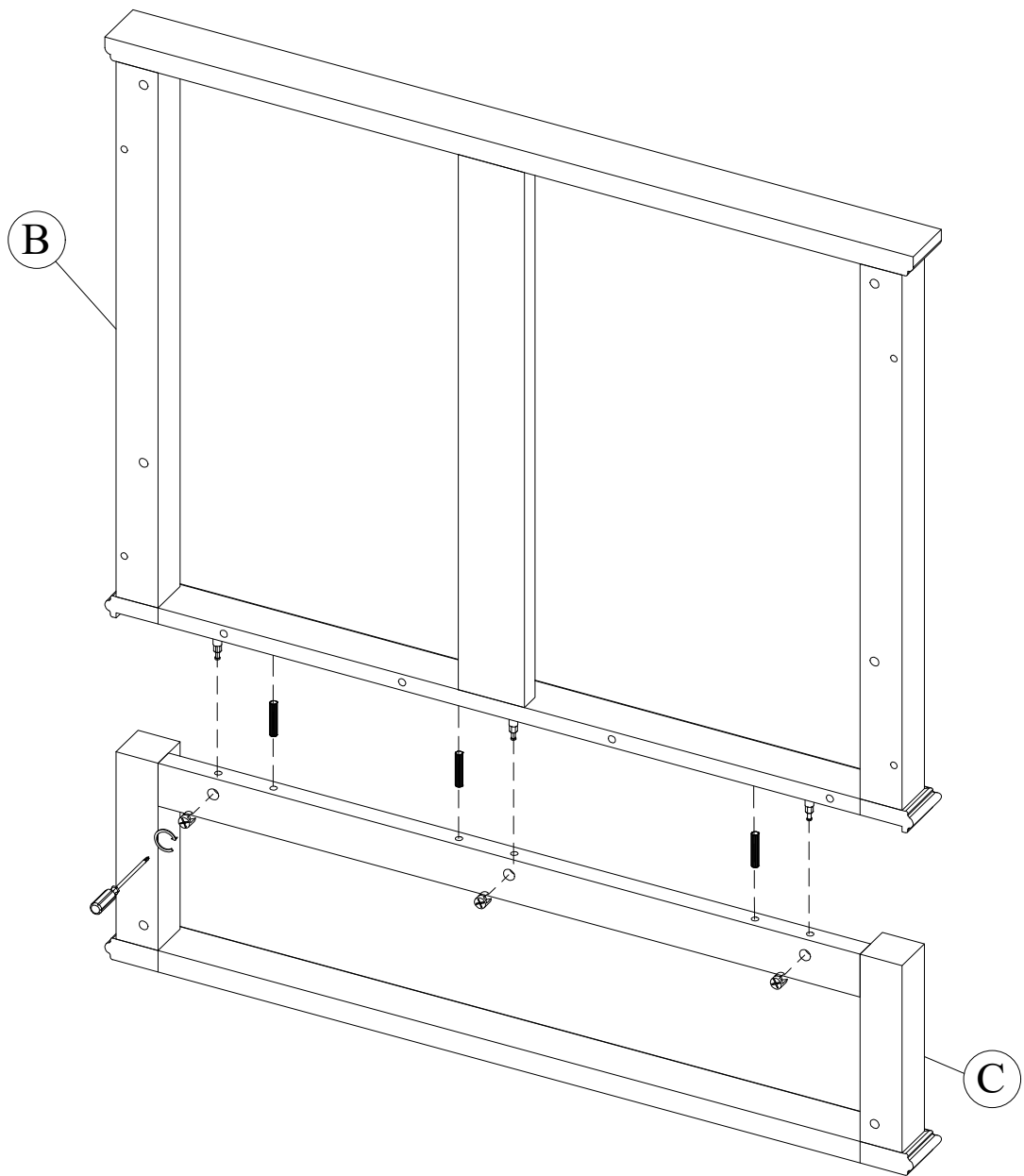
No.	Component	Q'ty
I		1
J		1
K		1
L		1
M		1
N		2
O		1
P		2
Q		1
S		4
X		1
Y		1
Z		4

STEP 1



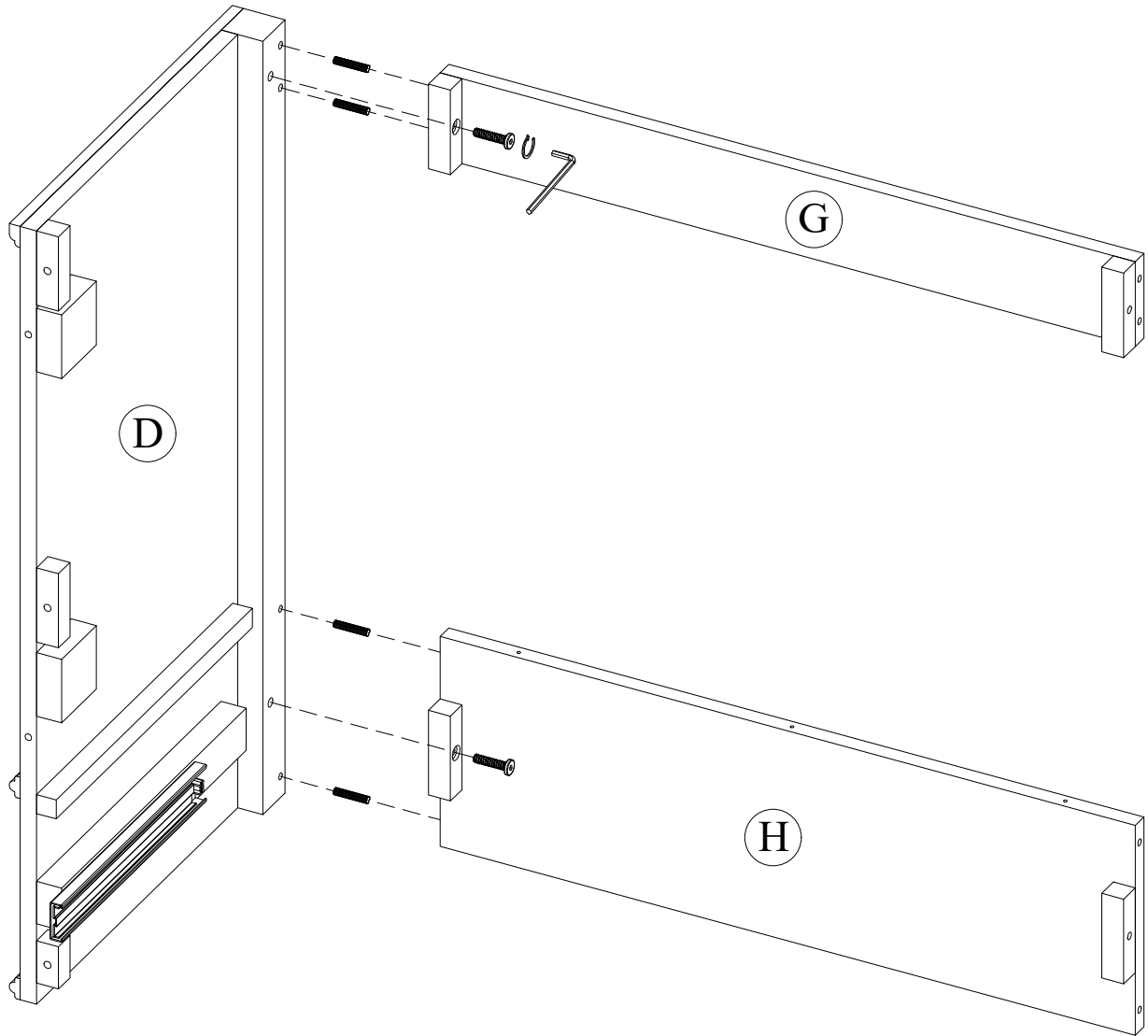
No.	Hardware	Q'ty
2	Cam lock screws	5

STEP 2



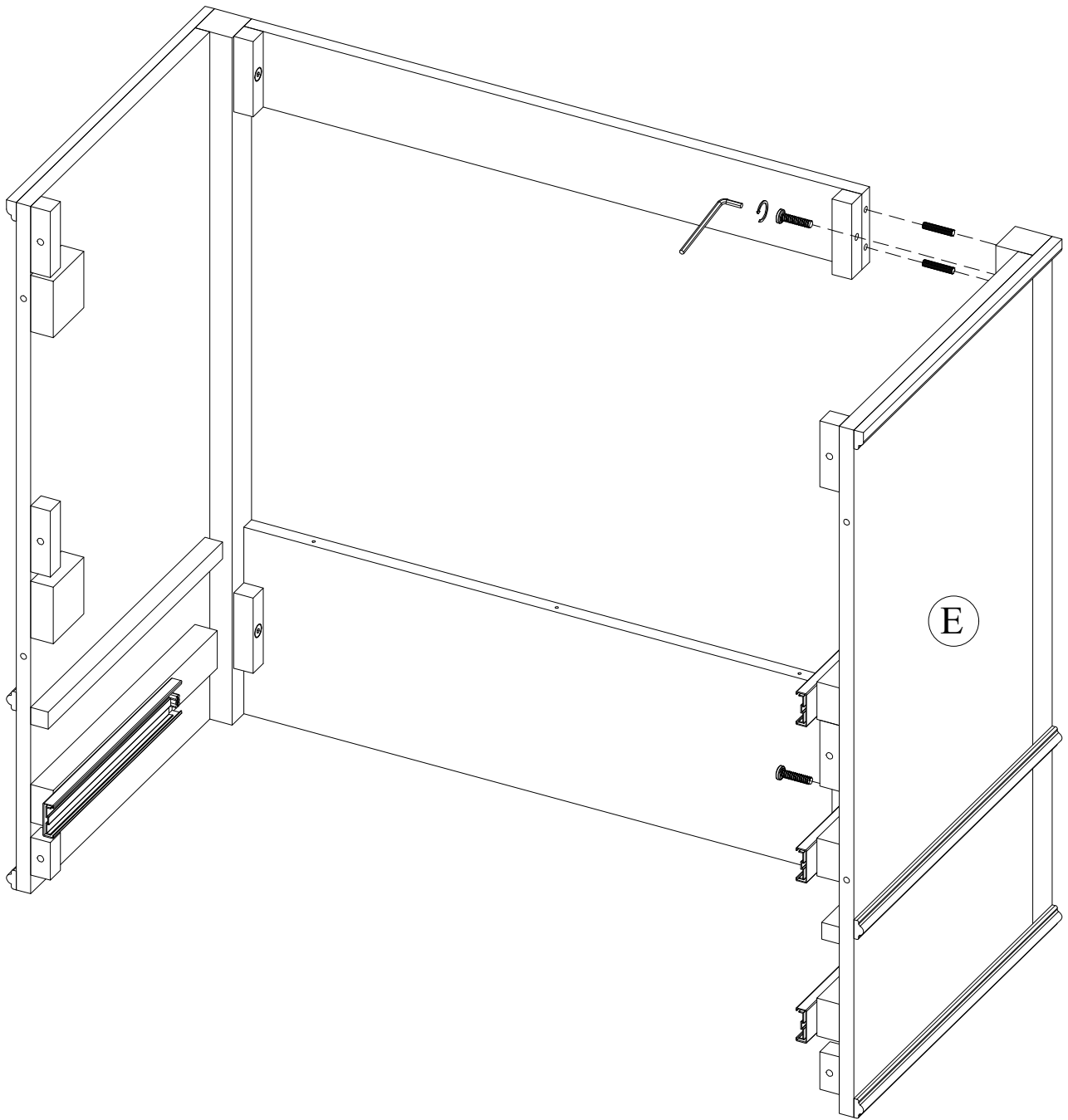
No.	Hardware	Q'ty
3	Cam lock	3
4	Wooden	3

**STEP 3**



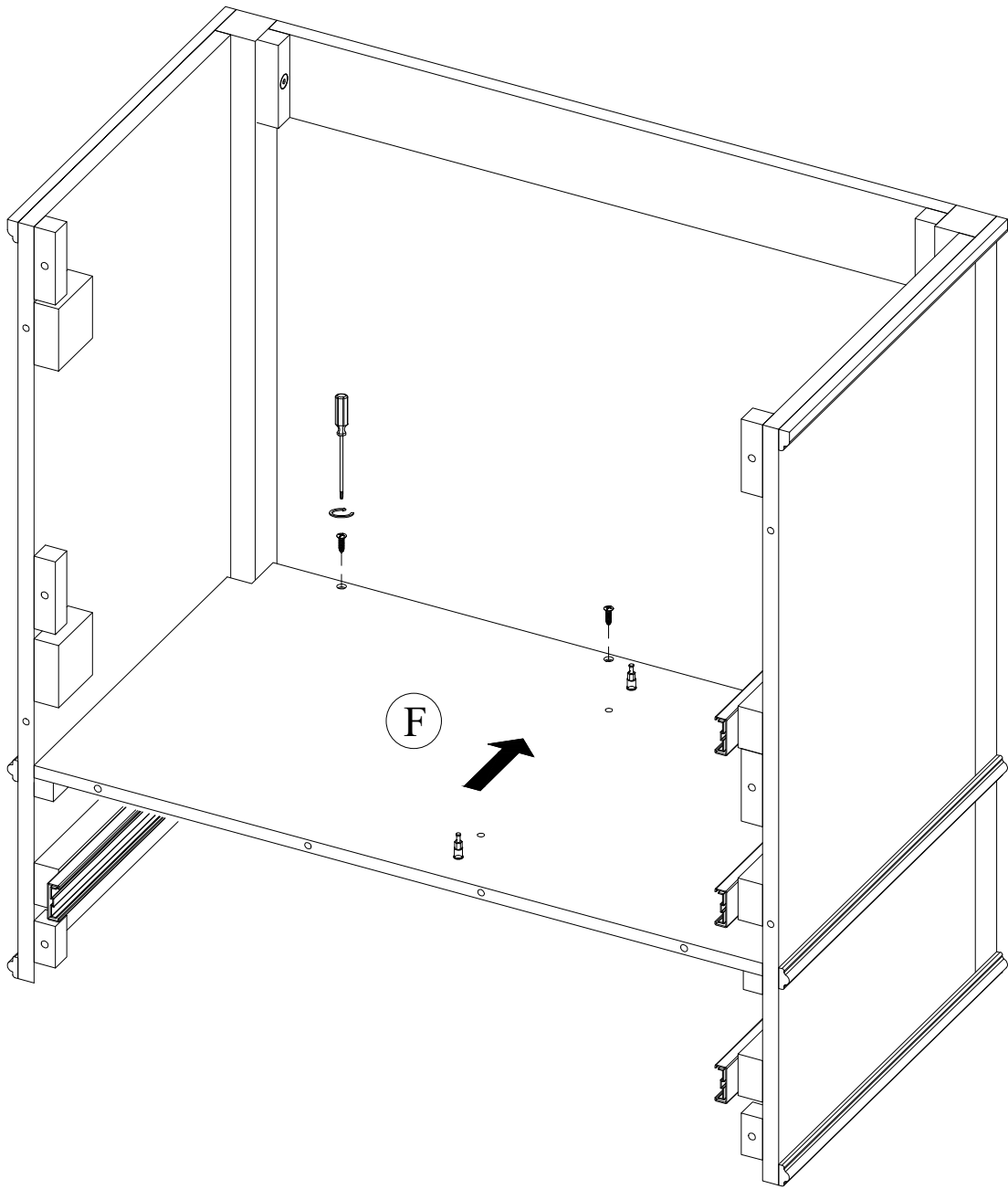
No.	Hardware	Q'ty
1	Allen Bolts 1/4"x35	2
4	Wooden	4
9	Allen key	1

**STEP 4**



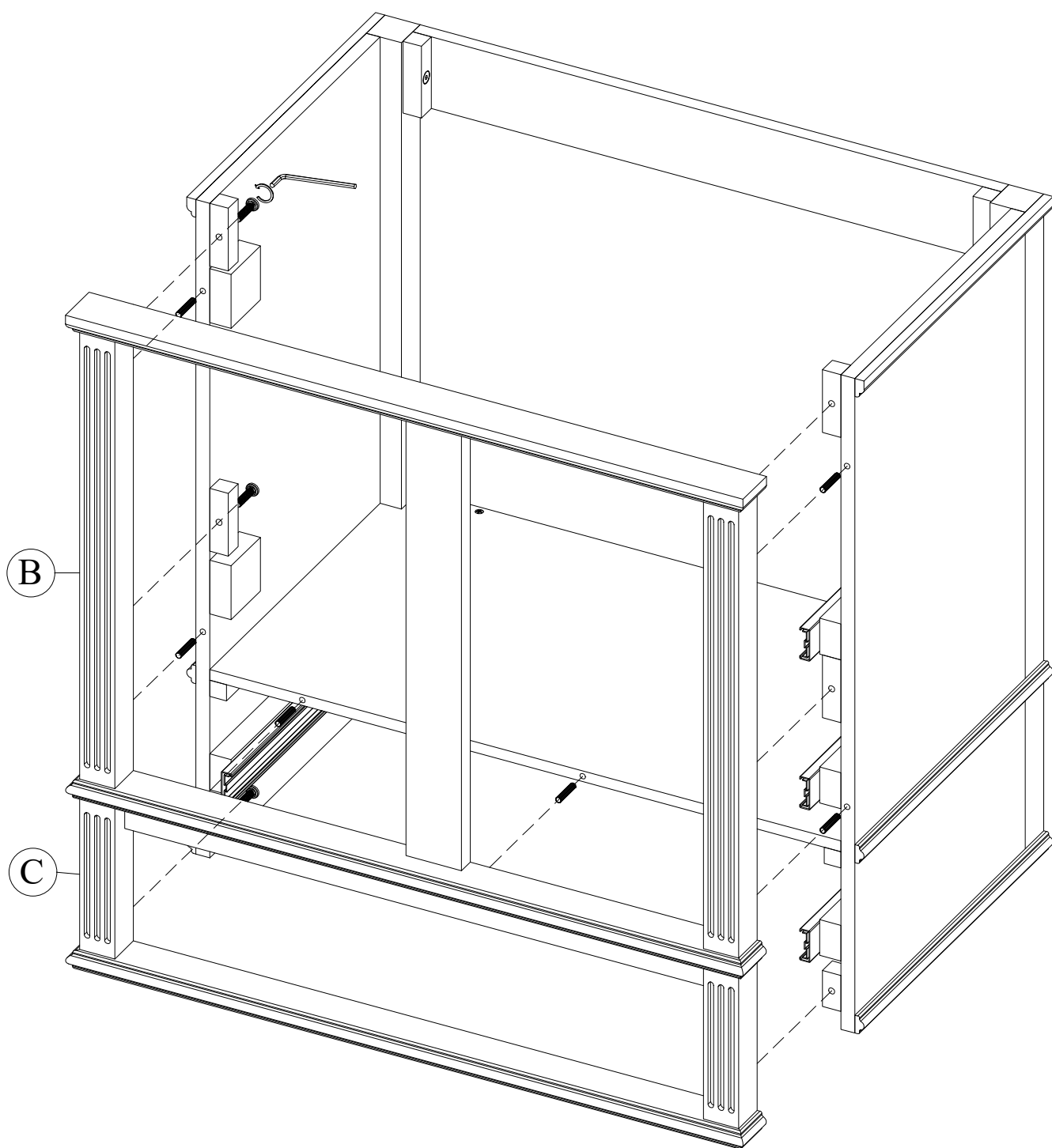
No.	Hardware	Q'ty
1	Allen Bolts 1/4"x35	2
4	Wooden	4
9	Allen key	1

**STEP 5**



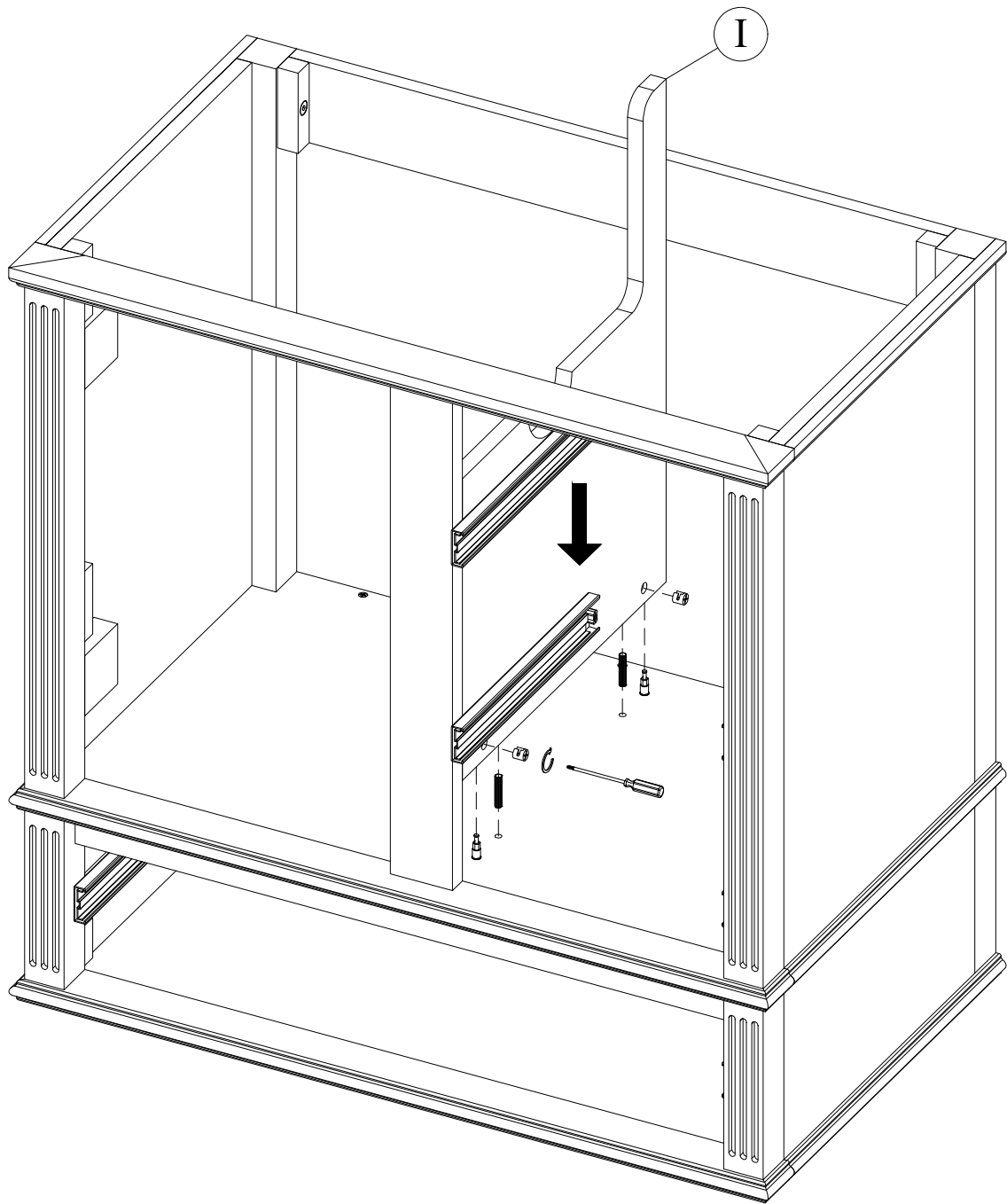
No.	Hardware	Q'ty
8	Screws 4x25	3

**STEP 6**



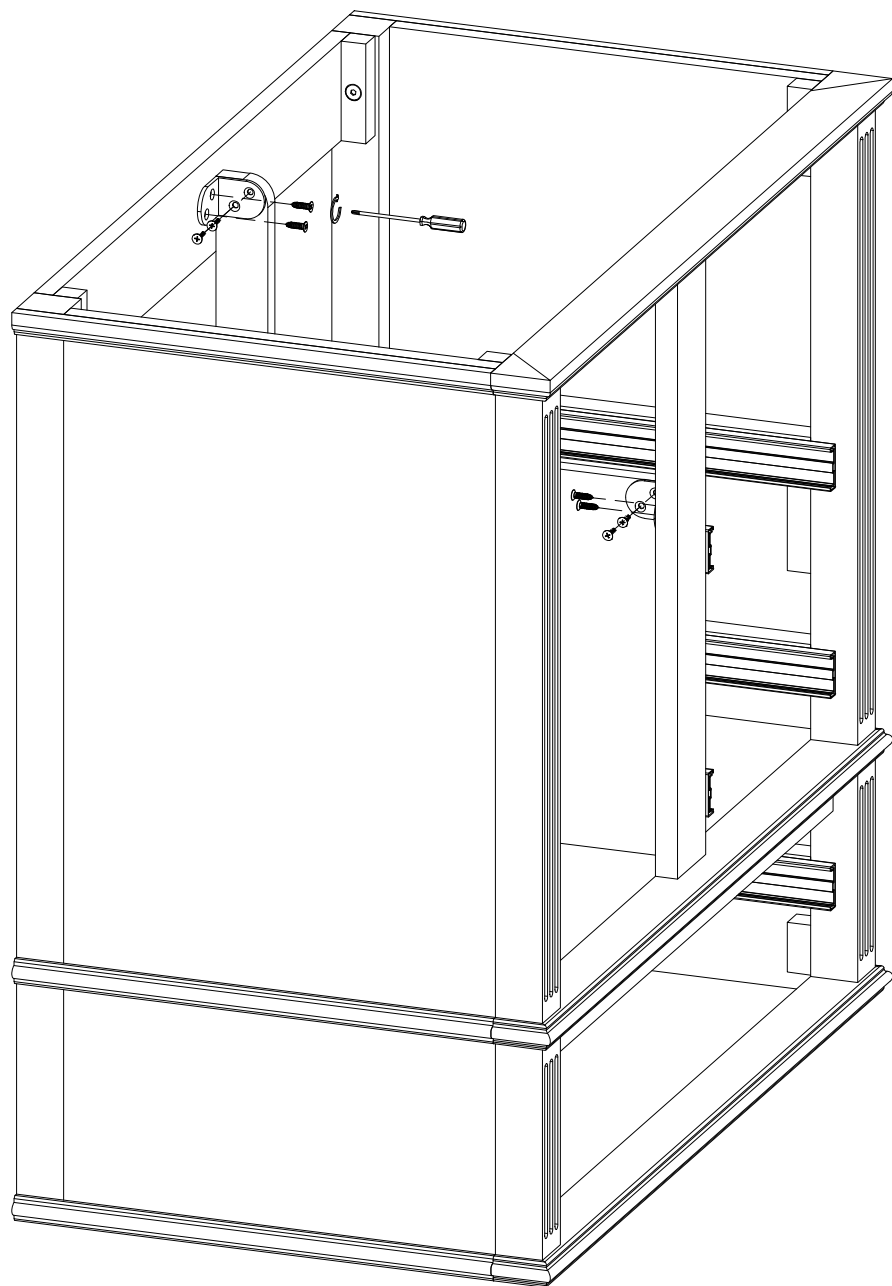
No.	Hardware	Q'ty
1	Allen Bolts 1/4"x35	6
4	Wooden	8
9	Allen key	1

**STEP 7**



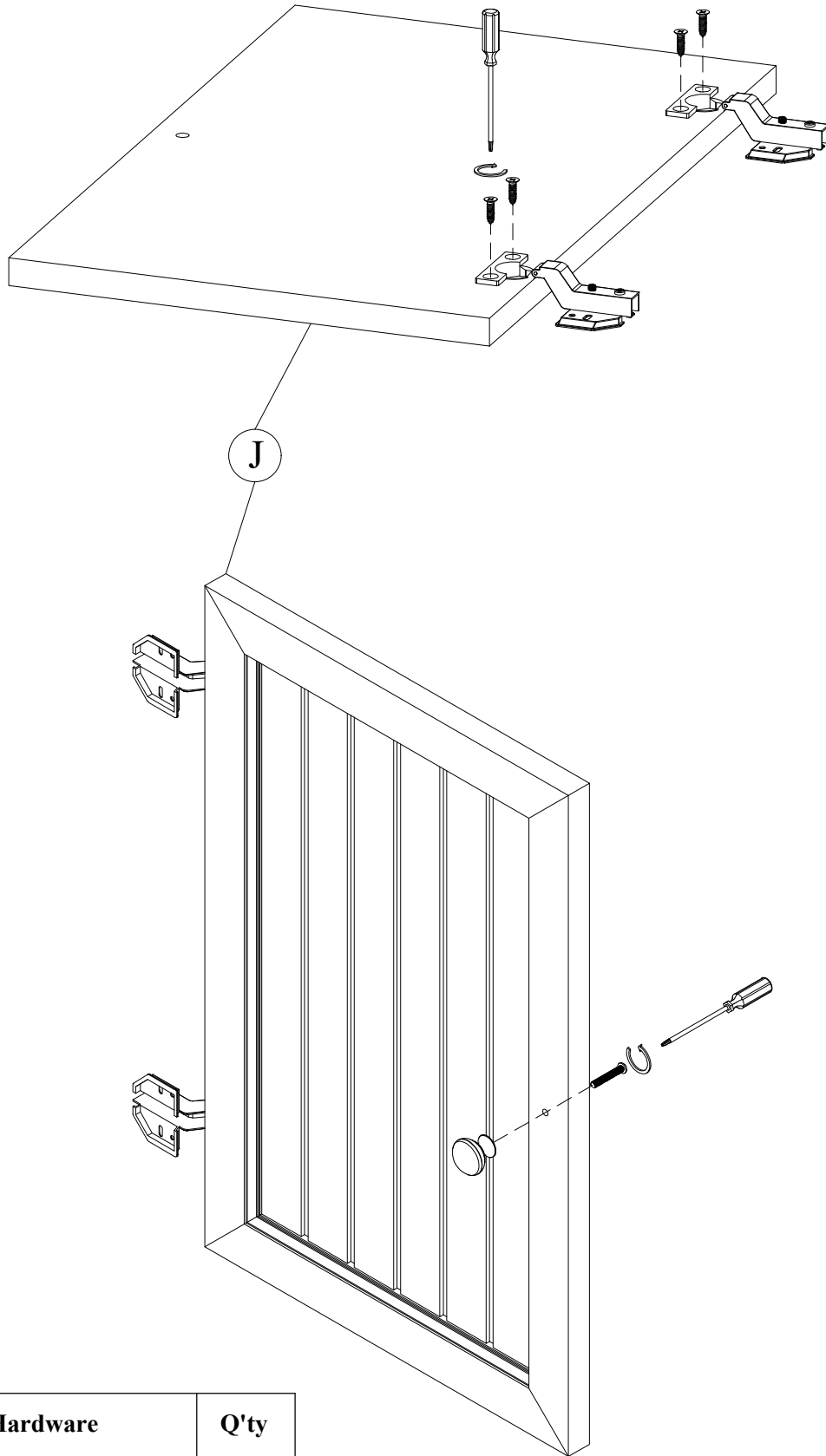
No.	Hardware	Q'ty
3	Cam lock	2
4	Wooden	2

**STEP 8**



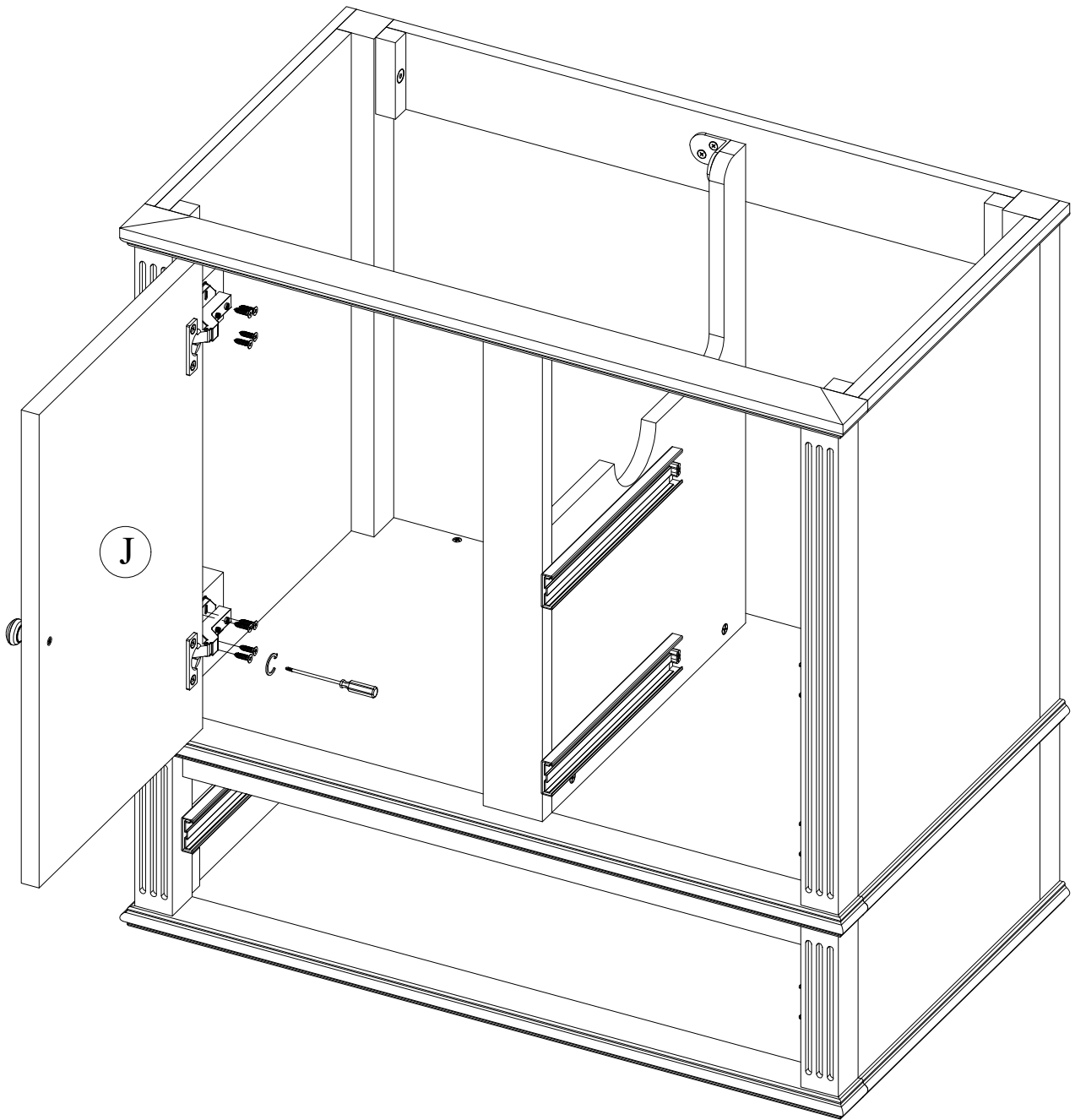
No.	Hardware	Q'ty
12	Angle Bracket	2
13	Screws 4x15	8

**STEP 9**



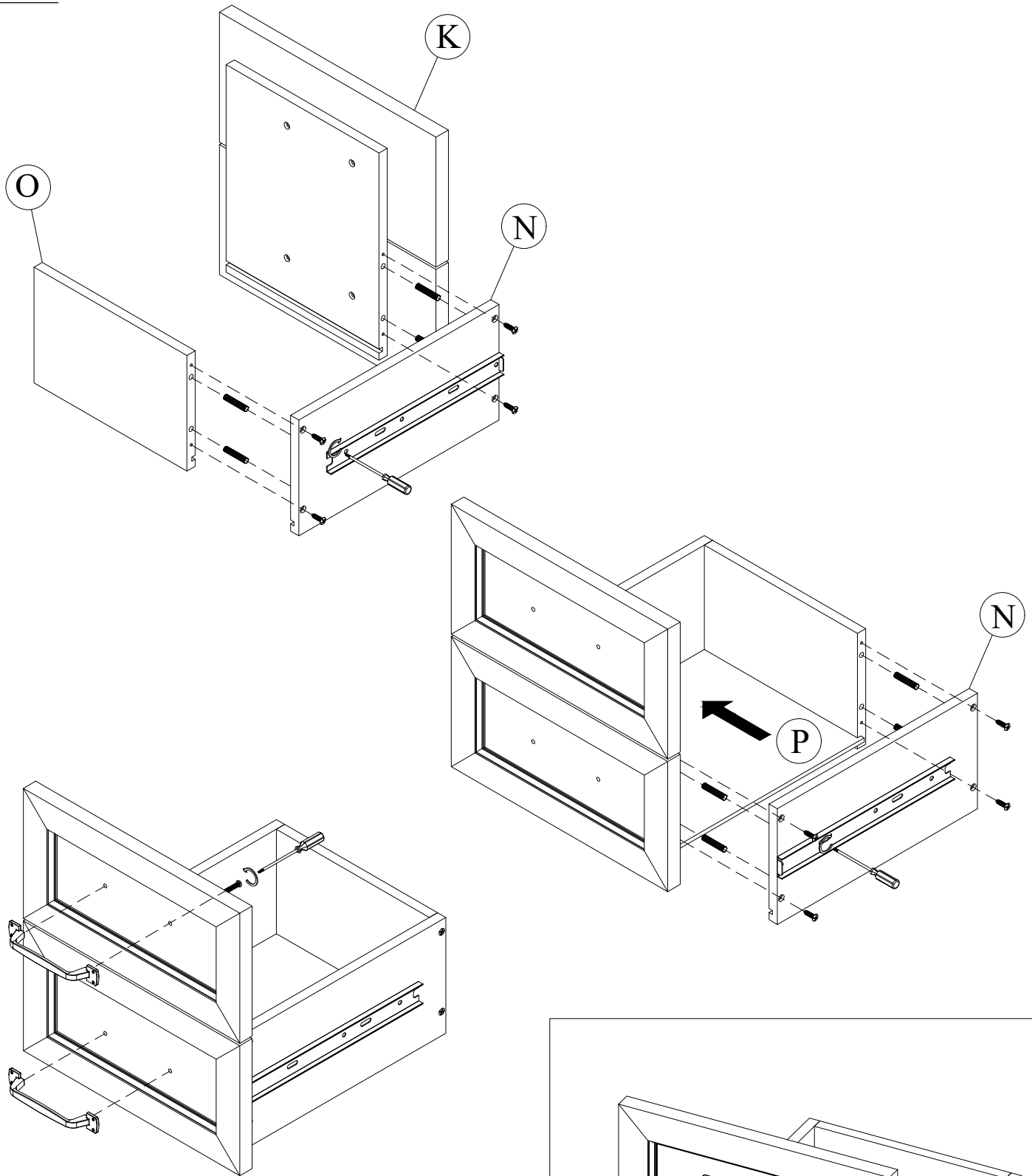
No.	Hardware	Q'ty
6	Knot	1
7	Screws M4x25	1
10	Hinges	2
11	Screws 4x15	4

**STEP 10**

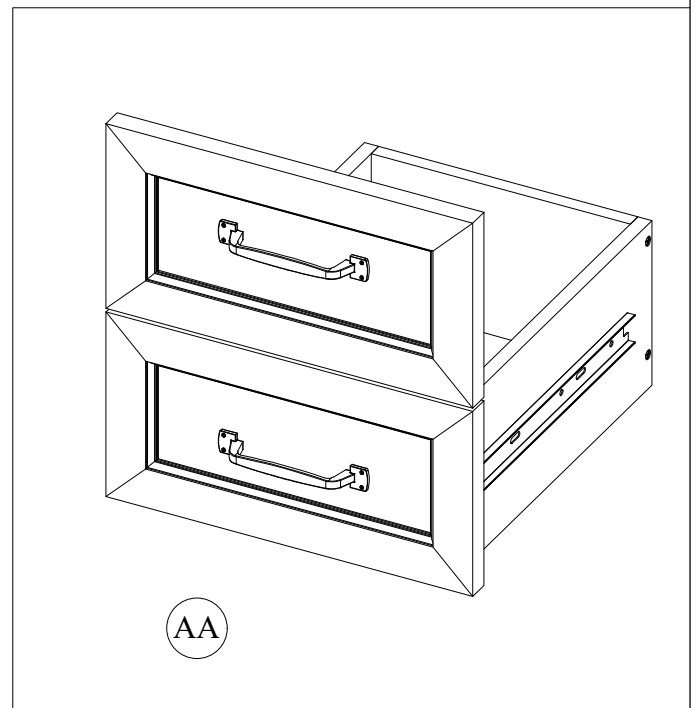


No.	Hardware	Q'ty
11	Screws 4x15	8

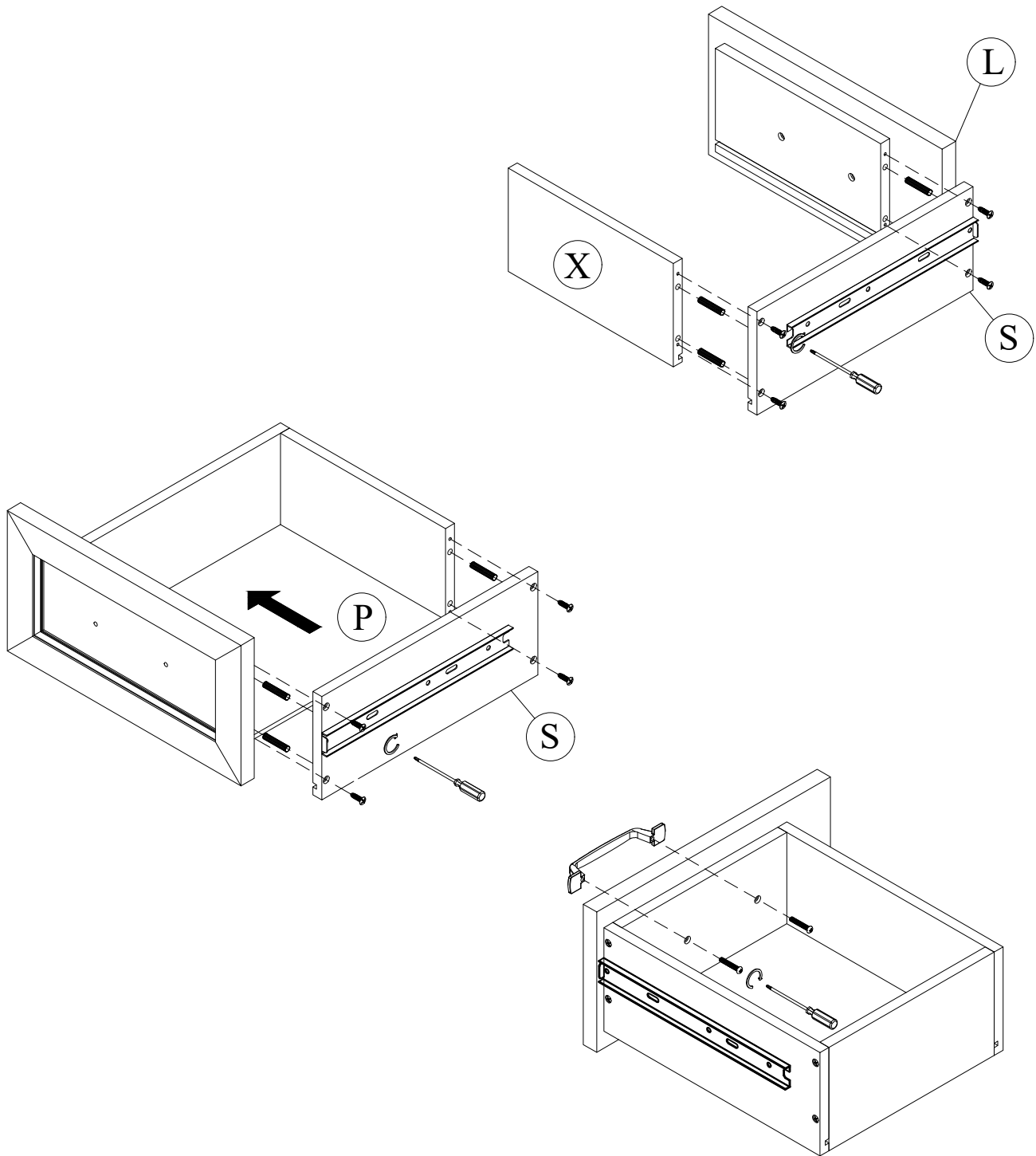
STEP 11



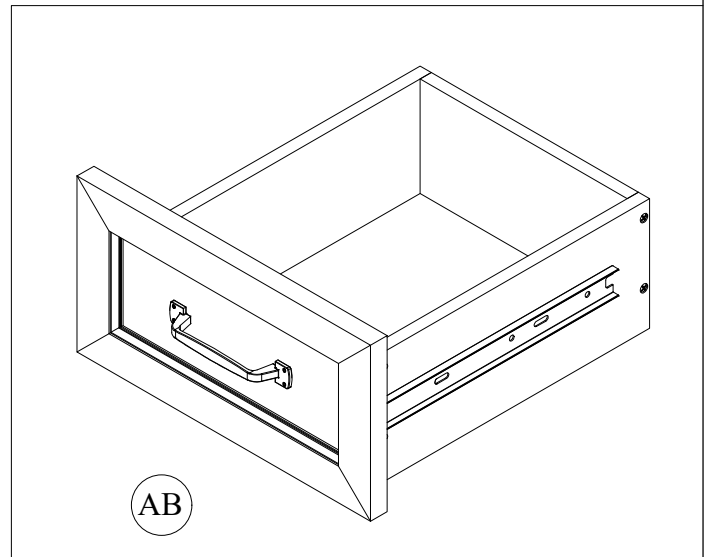
No.	Hardware	Q'ty
4	Wooden	8
5	Handle	2
7	Screws M4x25	4
8	Screws 4x25	8



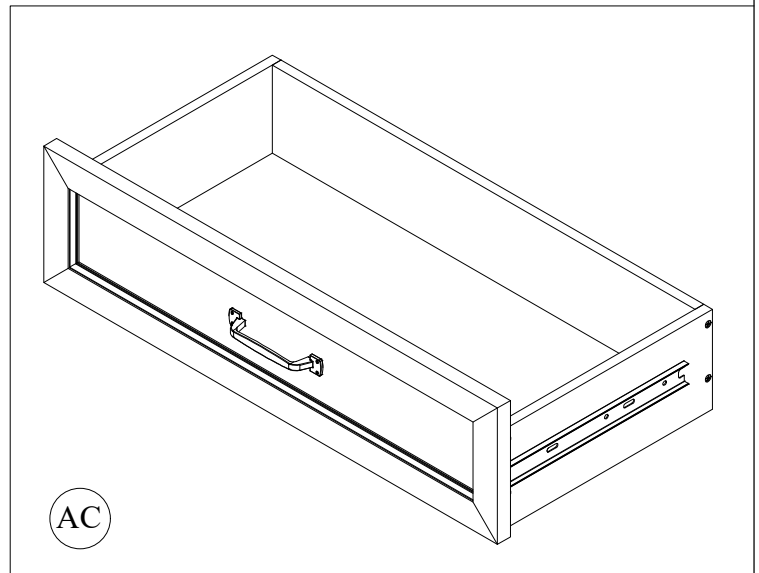
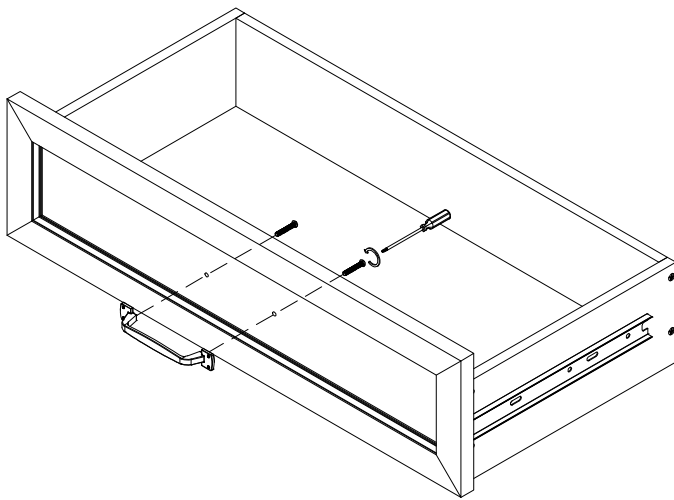
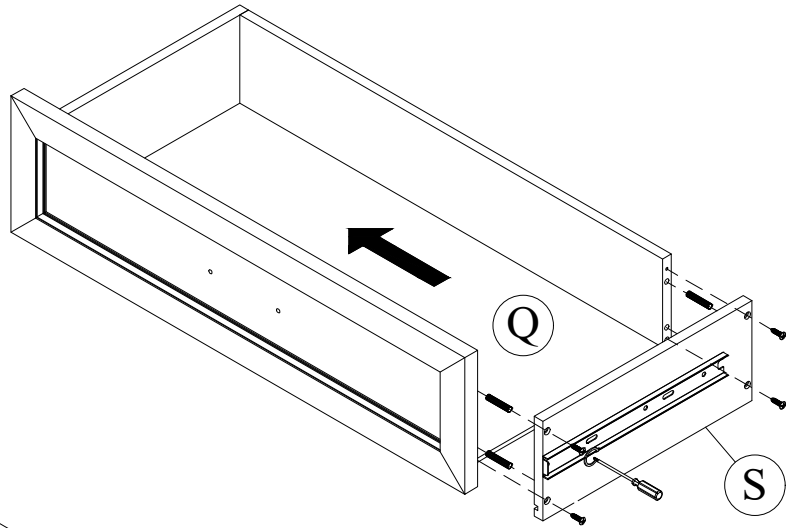
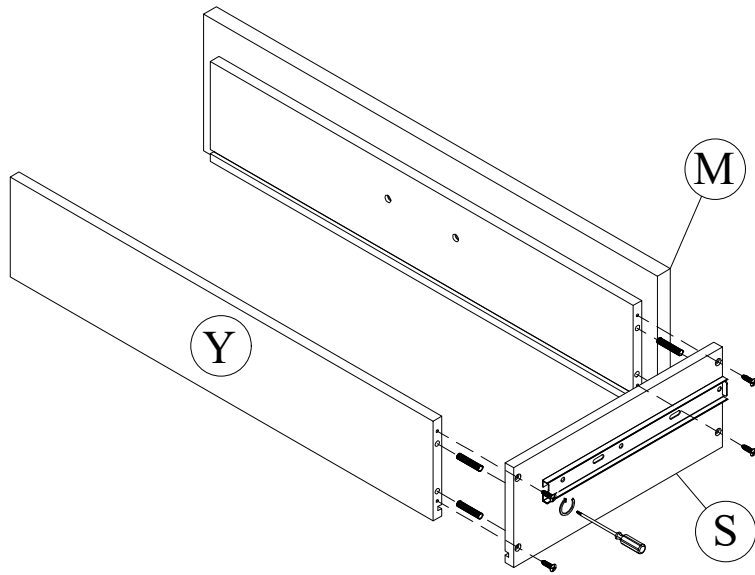
STEP 12



No.	Hardware	Q'ty
4	Wooden	8
5	Handle	1
7	Screws M4x25	2
8	Screws 4x25	8

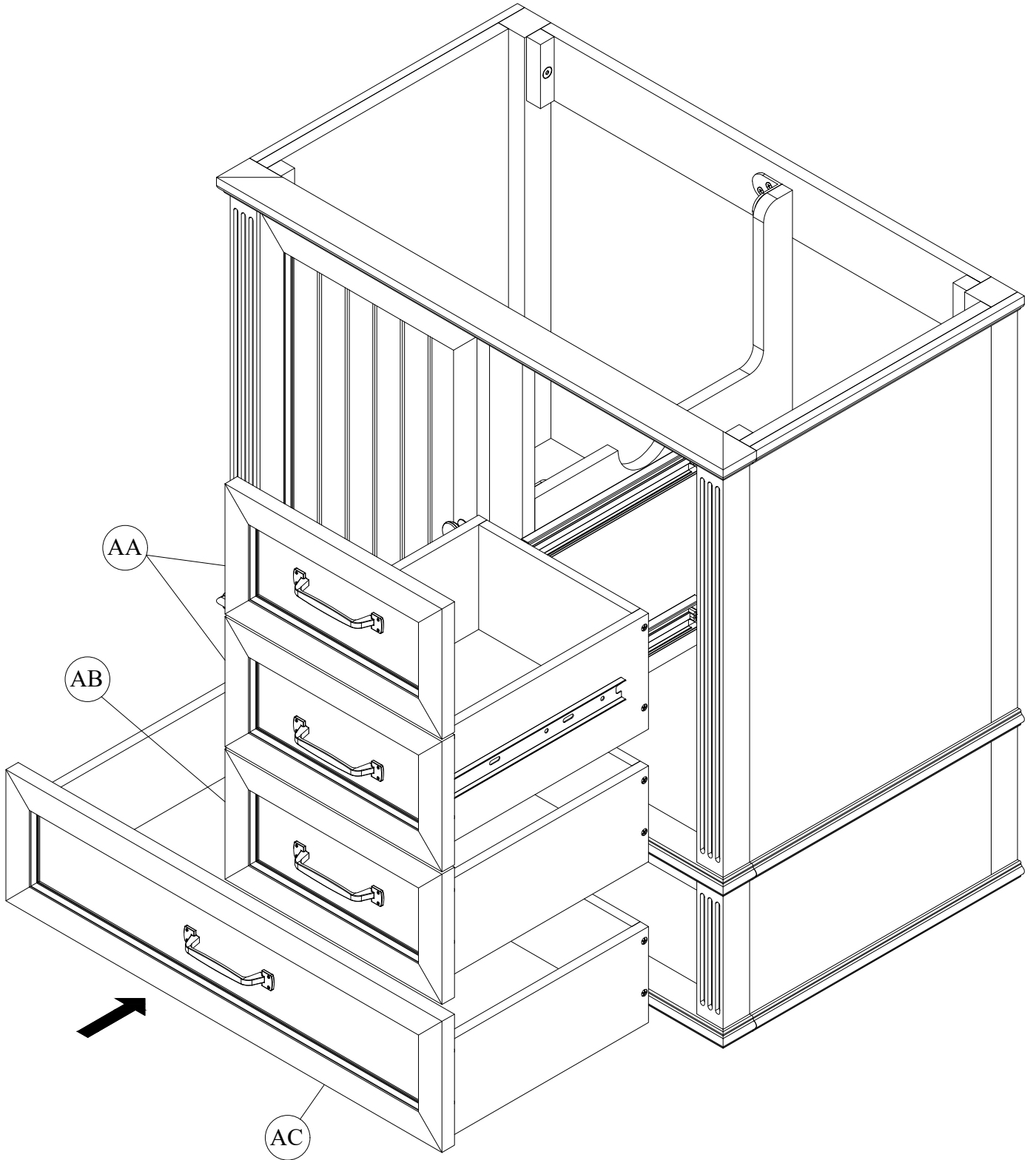


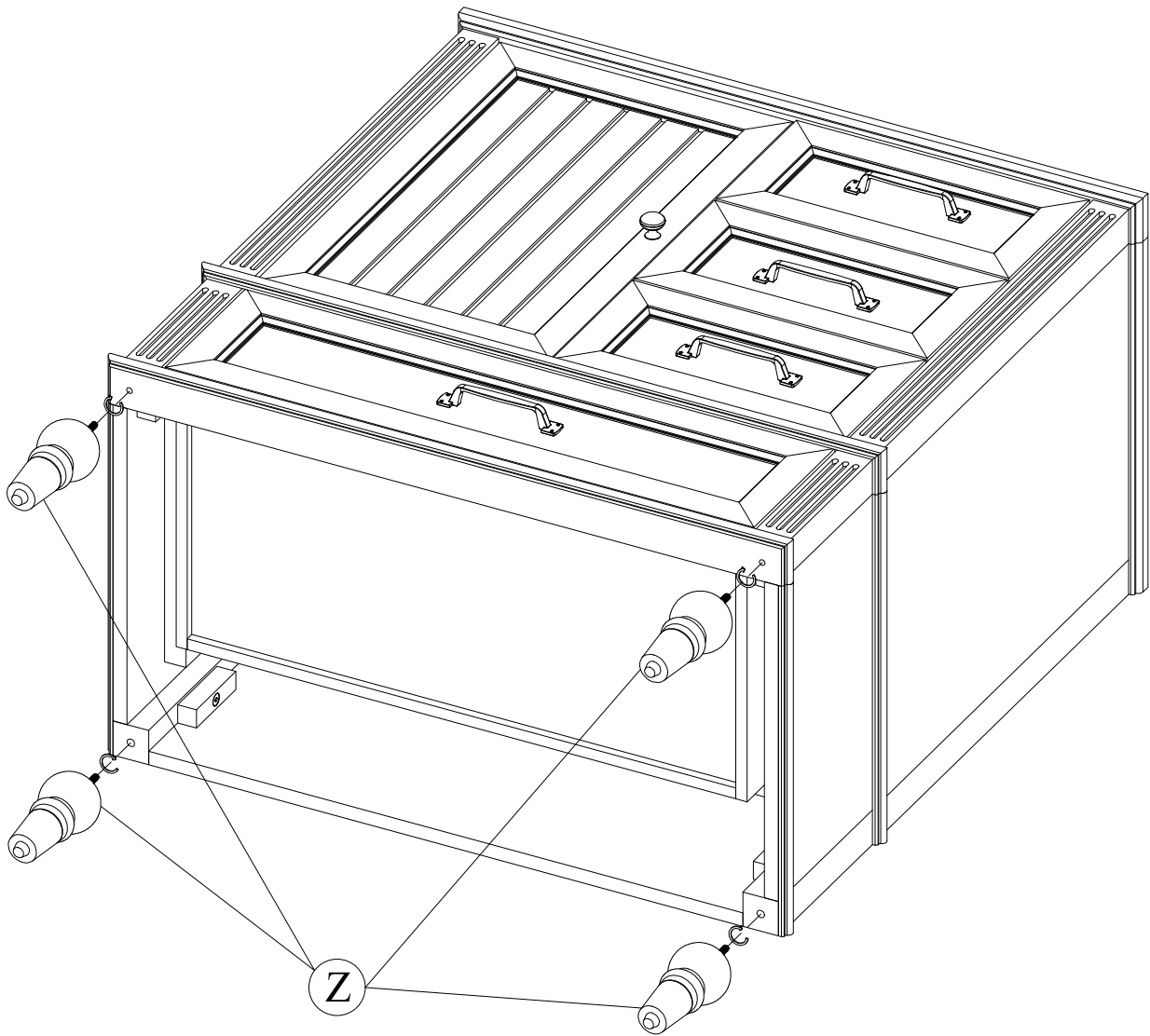
STEP 13

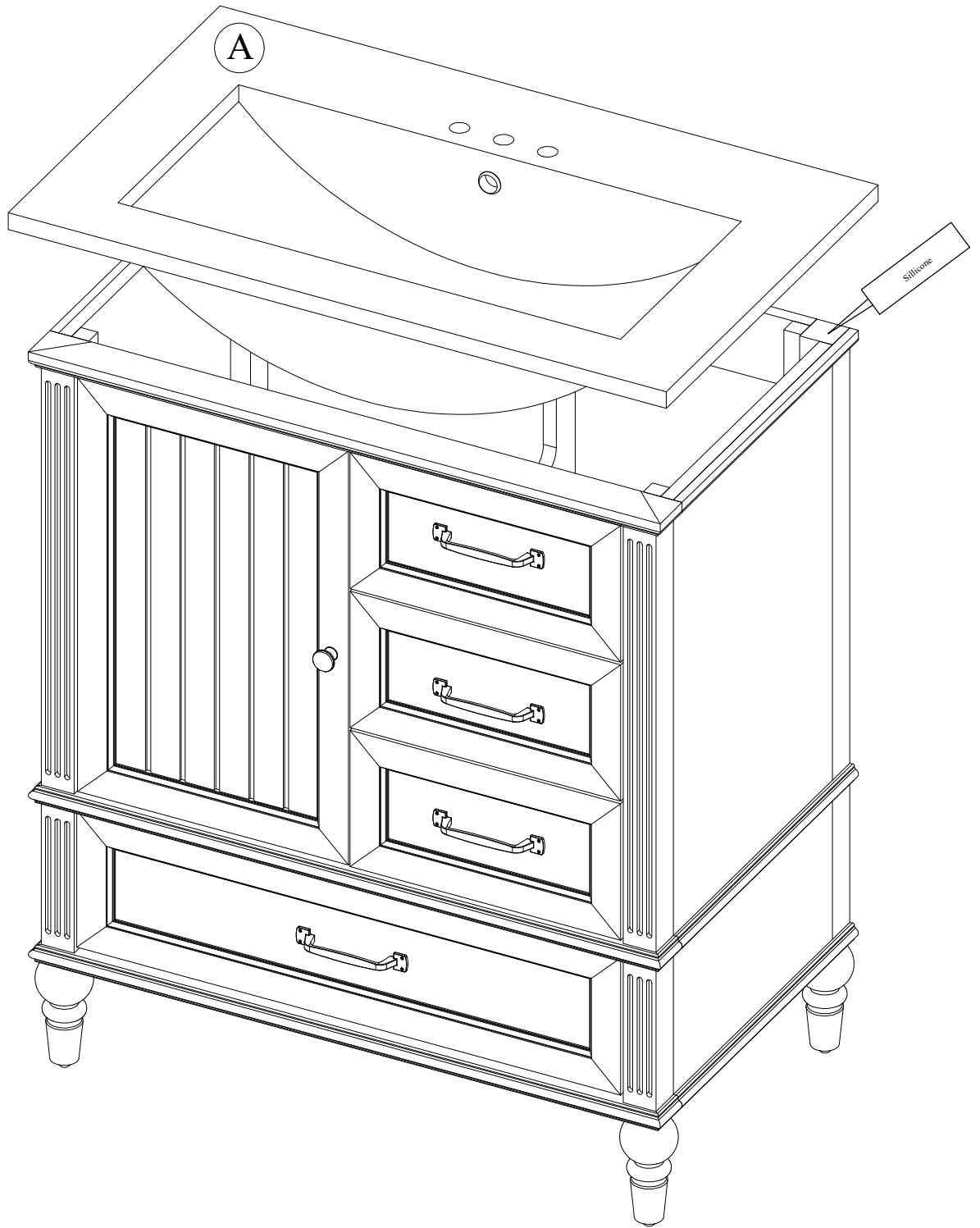


No.	Hardware	Q'ty
4	Wooden	8
5	Handle	1
7	Screws M4x25	2
8	Screws 4x25	8

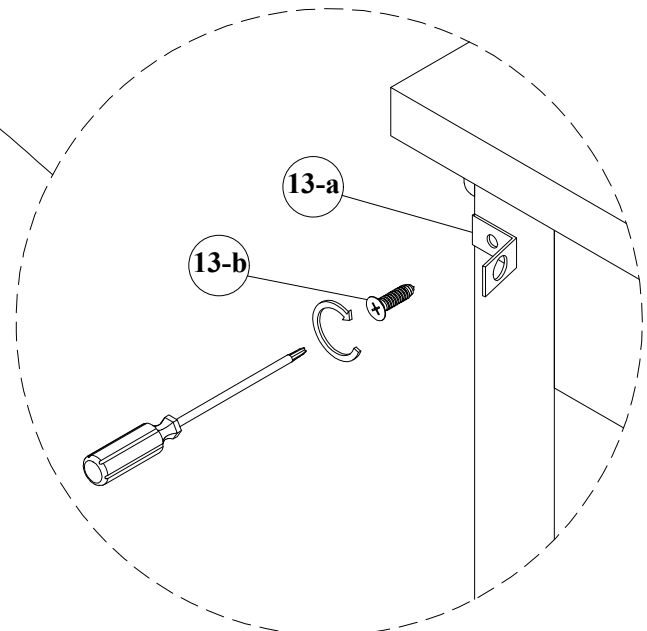
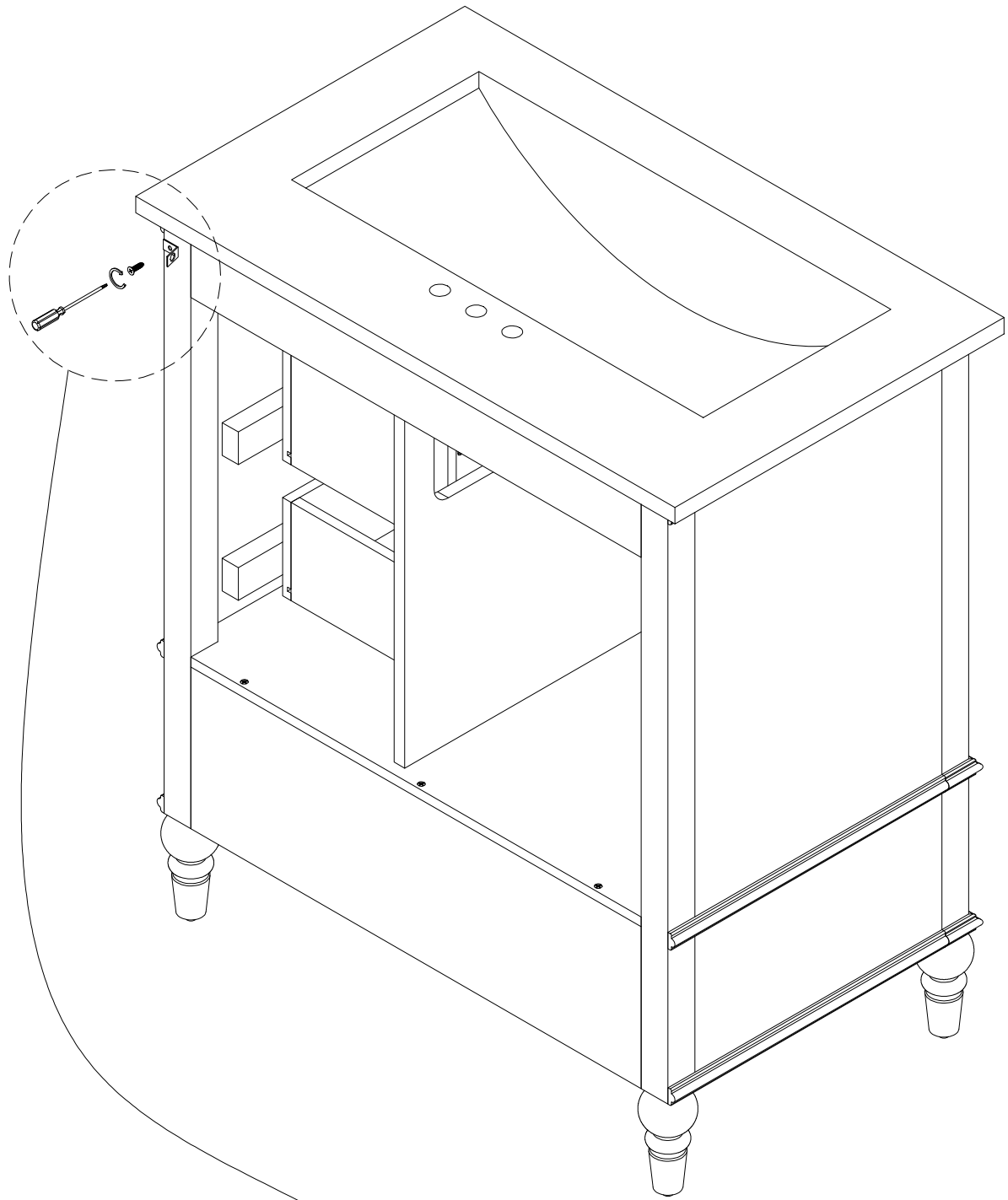
STEP 14

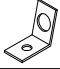





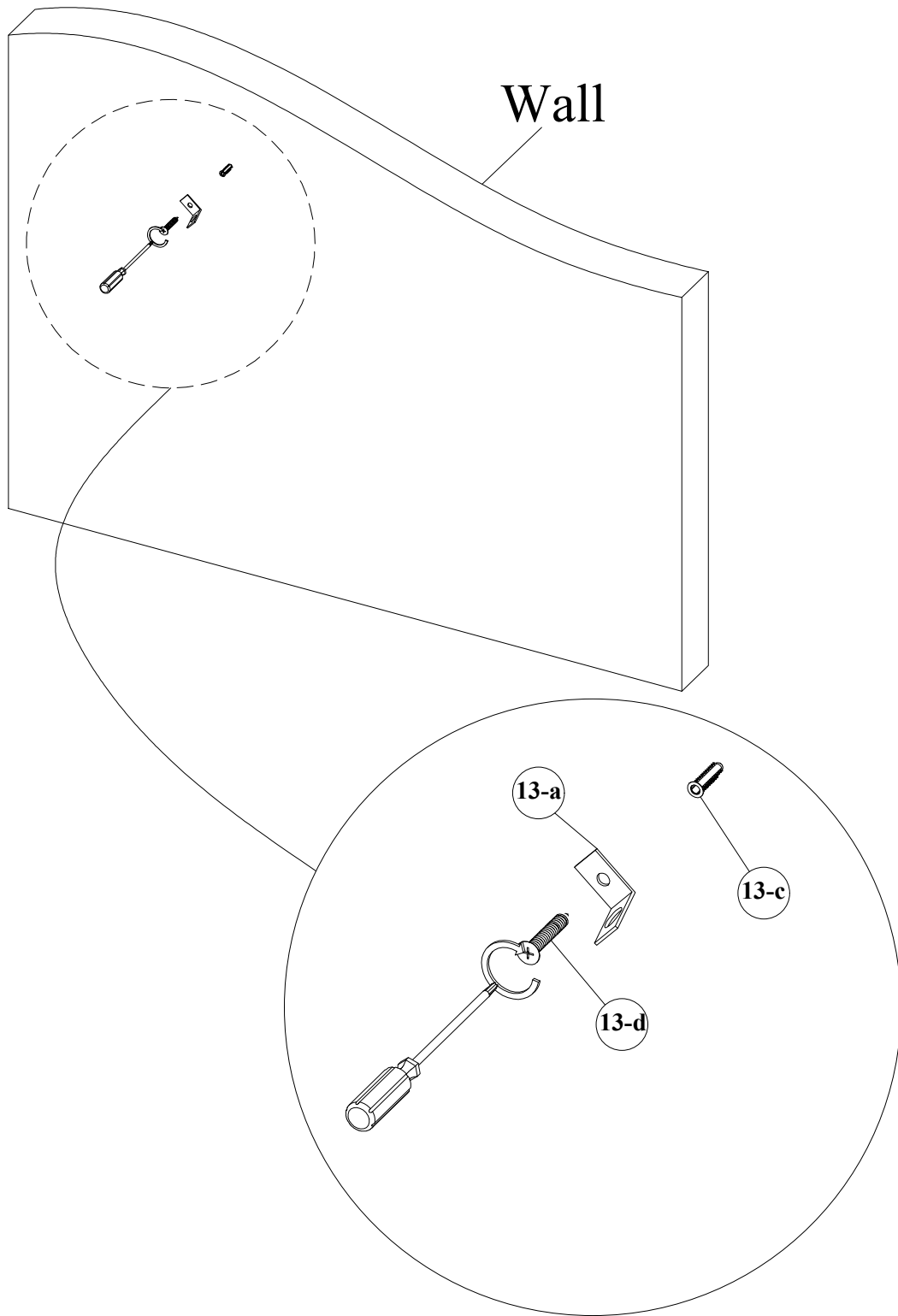





**STEP 17**



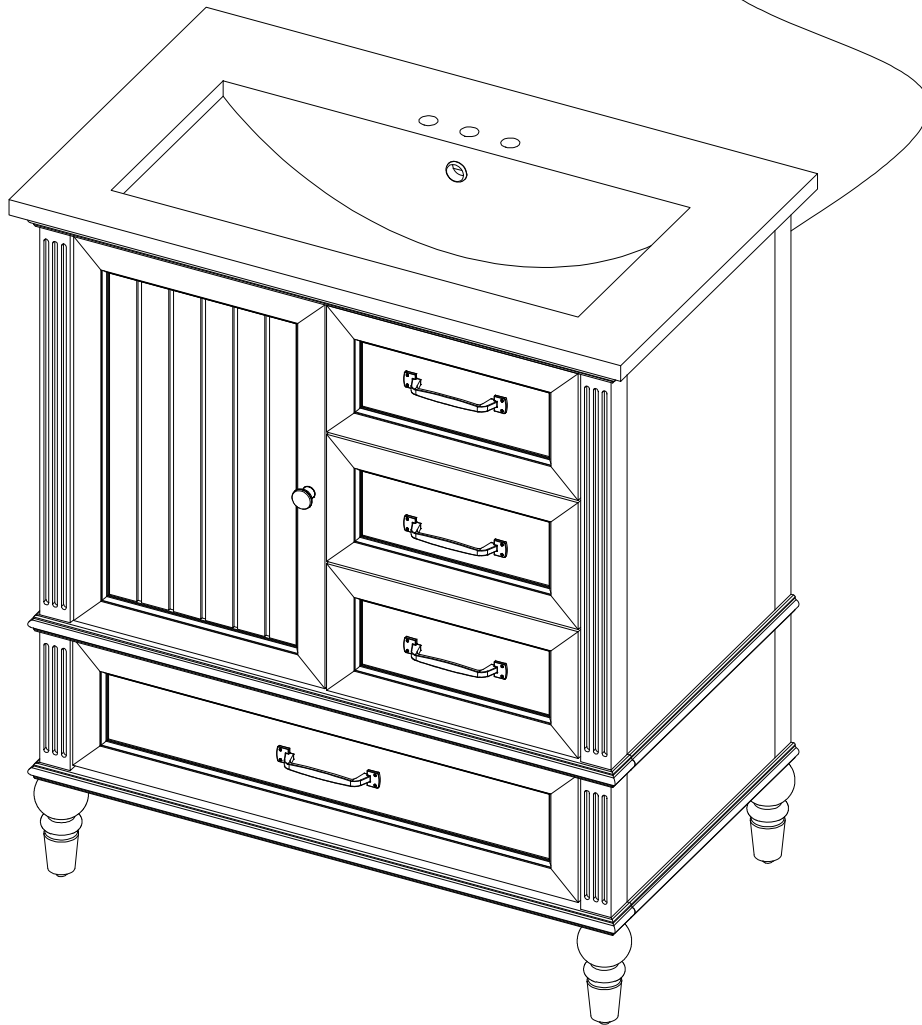
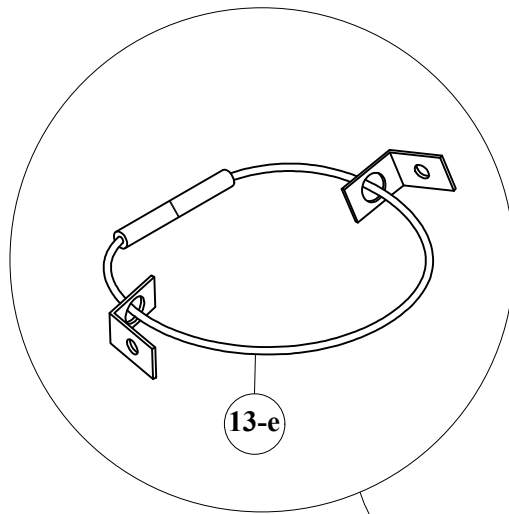
No.	Hardware	Q'ty
13-a		1
13-b		1

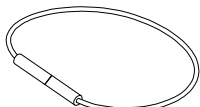
STEP 18



No.	Hardware	Q'ty
13-a		1
13-c		1
13-d		

**STEP 19**



No.	Hardware	Q'ty
13-e		1

# FINISH

