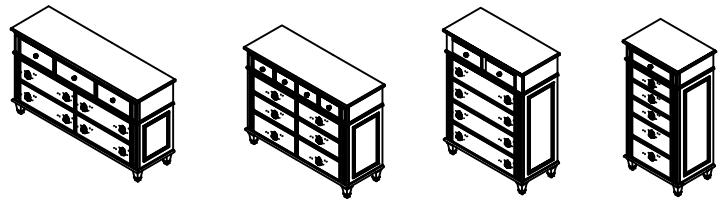


ASSEMBLY INSTRUCTIONS

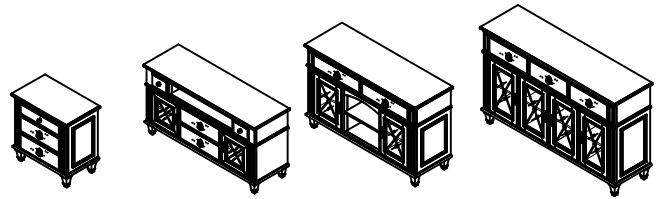


TOOLS REQUIRED:

Allen Wrench (supplied, part # D)

BEFORE YOU START:

1. Check the parts against the parts list to make sure all items are present.
2. Assemble your furniture on a soft, flat surface to avoid scratching the finish.
3. **CAUTION:** Do not over tighten screws, nuts or bolts during assembly.
4. Your furniture may require occasional tightening.

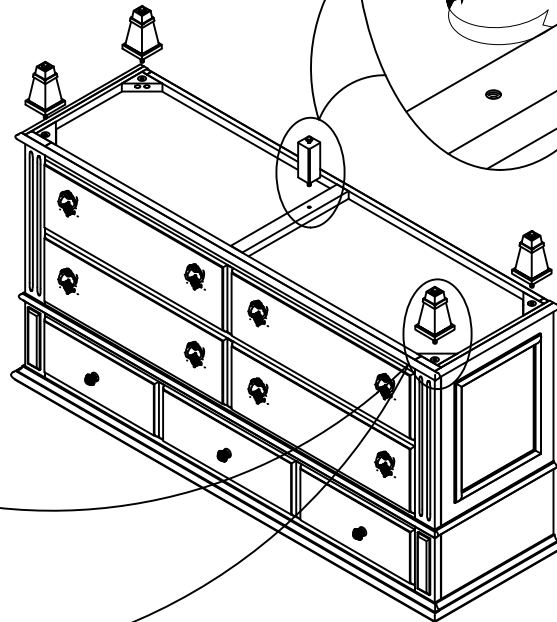
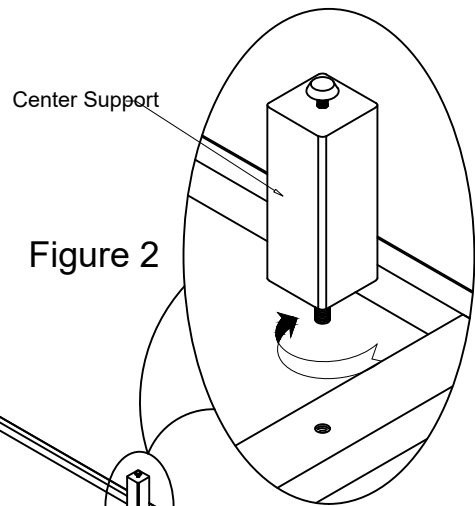
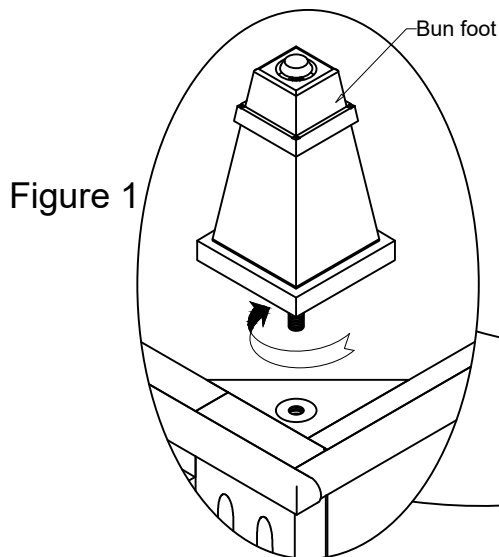


INSTRUCTIONS:

1. Turn the case top upside down on a clean soft surface.
2. Screw hanger bolt on Bun foot into spring insert on bottom base. Secure all bun feet and make sure they align together. see Figure 1.

NOTE: The insert has a spring which allows up to a 3/4 turn to align the square Bun Foot with the base shape.

3. Attach hanger bolt on Center Support into the bottom of case. Tighten by turning the Center Support clockwise. See Figure 2.



Thank you for purchasing furniture!