

ASSEMBLY INSTRUCTION

DESCRIPTION : CHEST, NIGHT STAND & DRESSER

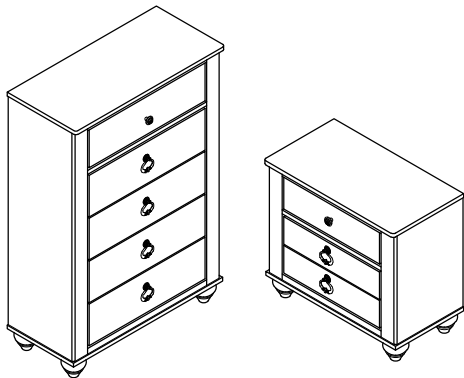
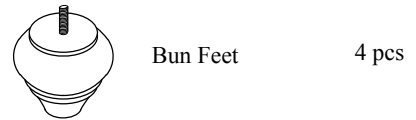
Thank you for purchasing this quality product. Be sure to check all packing material carefully for small Hardware which may have come loose inside the carton during shipment. Identify and count all Hardware and compare with the Hardware List below.

Note : Take out assembly instructions sheet, hardware pack and feet packaging from the drawer which marked with the rope.

MODEL : B132C
B132N-3A

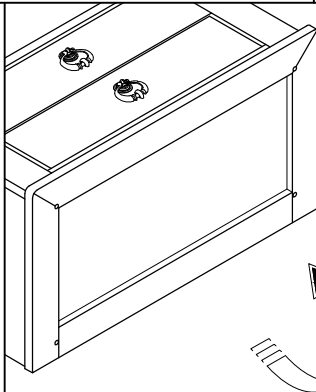
REVISION : A

COMPONENT LIST



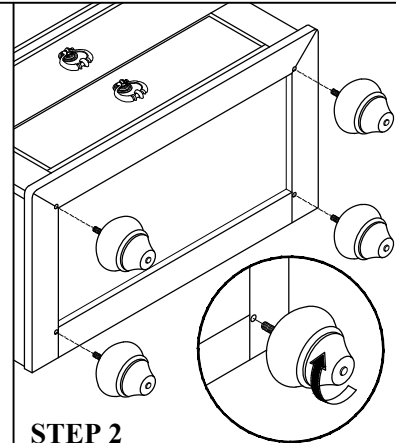
CHEST NIGHT STAND

ASSEMBLY COMPLETED



STEP 1

Please lay down the casegoods on the floor.



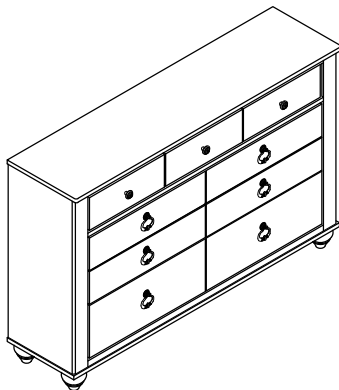
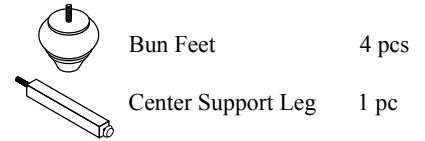
STEP 2

Fasten bun feet to casegoods according to the position with turning the bun feet clockwise until tightly.

MODEL : B132D

REVISION : A

COMPONENT LIST



DRESSER

ASSEMBLY COMPLETED

STEP 1

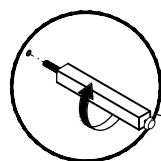
Please lay down the dresser on the floor.

STEP 2

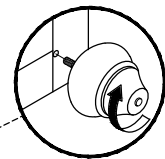
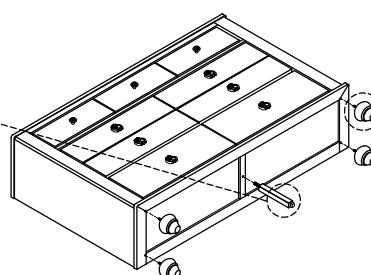
Fasten bun feet to dresser according to the position with turning the bun feet clockwise until tightly.

STEP 3

Align and tighten center support leg to bottom panel of dresser.



STEP 3







STEP 2

ANTI - TIPPING KIT FOR CHEST, DRESSER, PLASMA/TV CHEST & NIGHTSTAND (IF OVER 30")

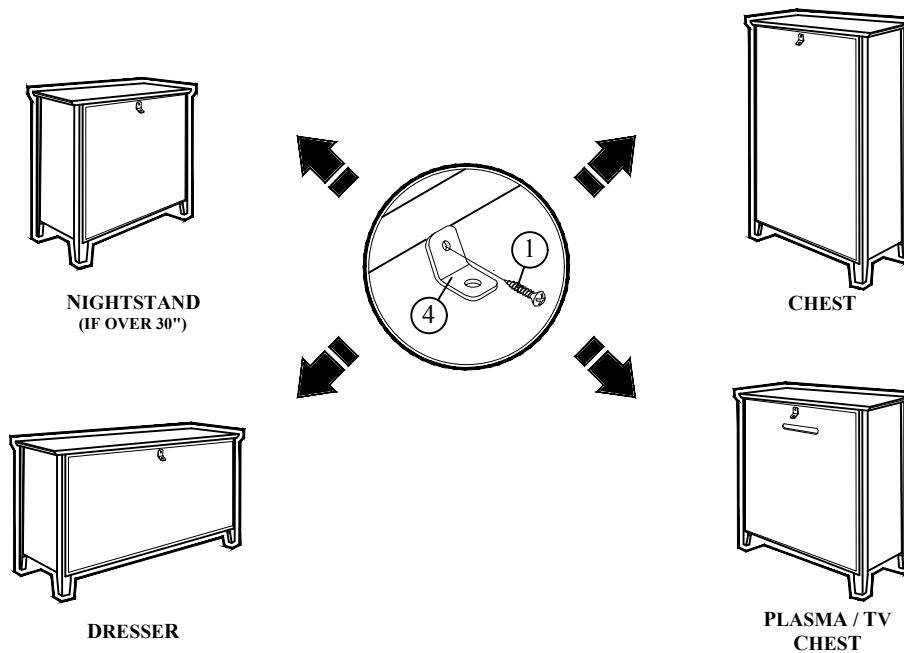
This Tip Restraint Must Be Attached To A Wall Stud Using Long Screw Enclosed

HARDWARE

- | | | | |
|----|--|-------------|-------|
| 1. |  | Short screw | 1 pc |
| 2. |  | Long screw | 1 pc |
| 3. |  | Cable tie | 1 pc |
| 4. |  | L Bracket | 2 pcs |

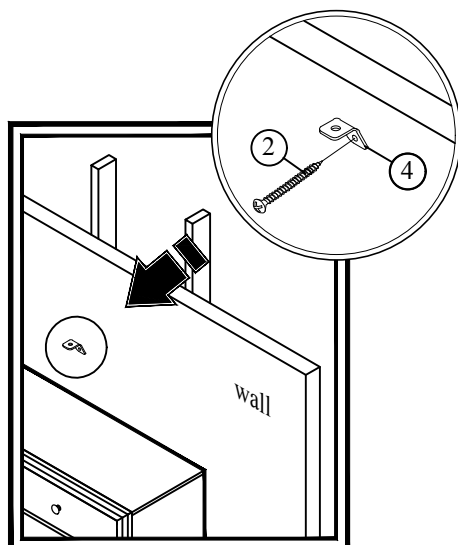
STEP 1

Attach a bracket securely to the back top rail of the casegoods using short screw provided, through the smaller hole.



STEP 2

Locate the other bracket on the wall over a wall stud and two inches below the mounting bracket secured to the back of casegoods. Attached to the wall stud using the long screw provided, through the smaller hole.



STEP 3

Place the casegoods into position so both mounting brackets are vertically in line. Lace the end of the restraint strap through the larger hole in each mounting bracket. Bring both ends together and slide the flat end through the locking end and draw it through until all slack is removed. Confirm that the strap is securely laced and locked.

