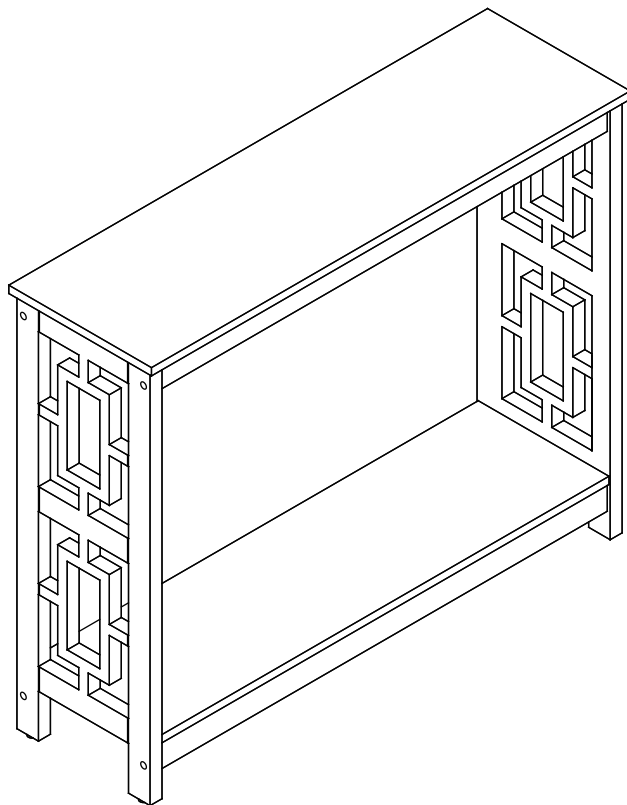


CONSOLE TABLE



ASSEMBLY INSTRUCTIONS

We have designed our furniture with you , the customer in mind . Our clear , easy to follow , step by step instructions will guide you through the project from start to finish . Feel confident that this will be a fun and rewarding project . The final product will be a quality piece of furniture that will go together smoothly and give years of enjoyment .

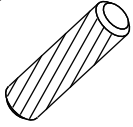
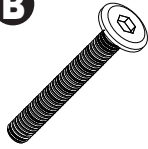


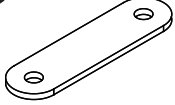

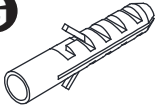

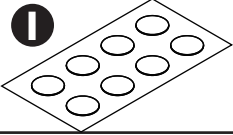




Please do not return to the store
Broken or missing parts?
Need help with assembly?

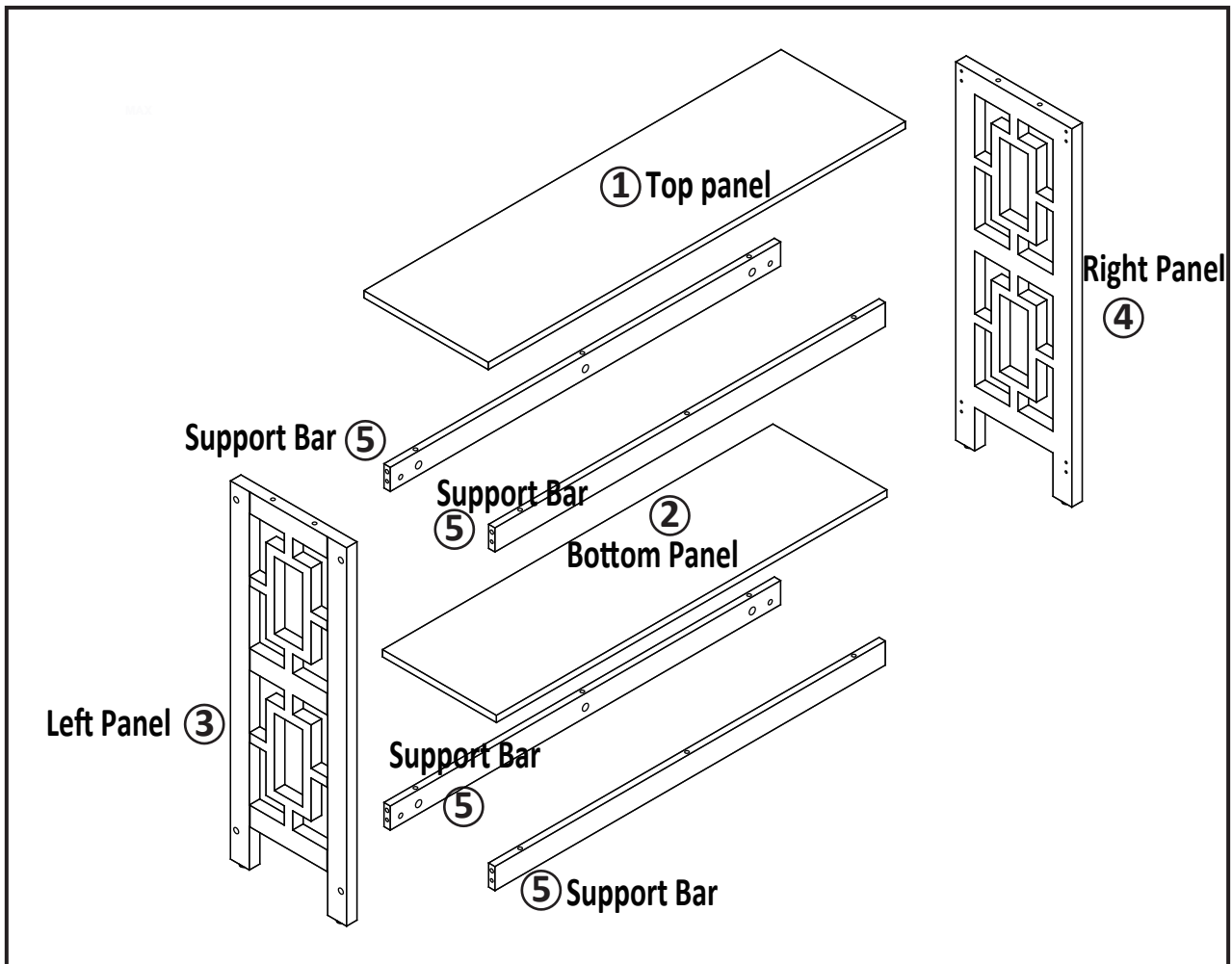
Our customer service team is ready to help with any problems or questions you may have. Please give us a call or email us.

This product's warranty is only valid through authorized dealers.

Hardware List

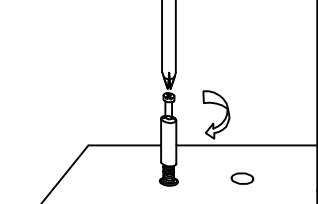
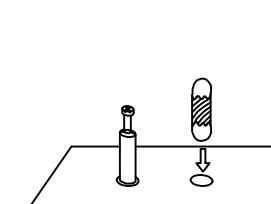
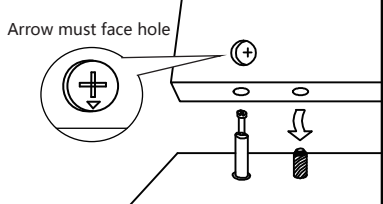
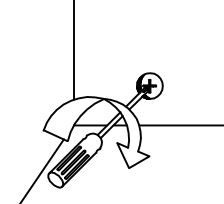
A 	B 	C 	D 	E 
Wood Dowel(12pcs)	Allen Bolt(8pcs)	LOCK Nut(8pcs)	Cam Bolt (12pcs)	Anti-Tip Bracket (2pcs)
F 	G 	H 	I 	J 
Small Screw (2pc)	Anchor (2pc)	Screw (2pc)	Stickers (8pc)	Cam Lock (12pc)
K 				
Allen Wrench (1pc)				Glue : For securing please apply to wood dowel first before inserting into panel .

Panel List



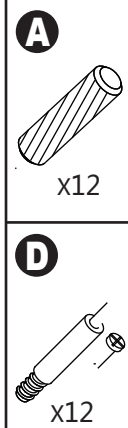
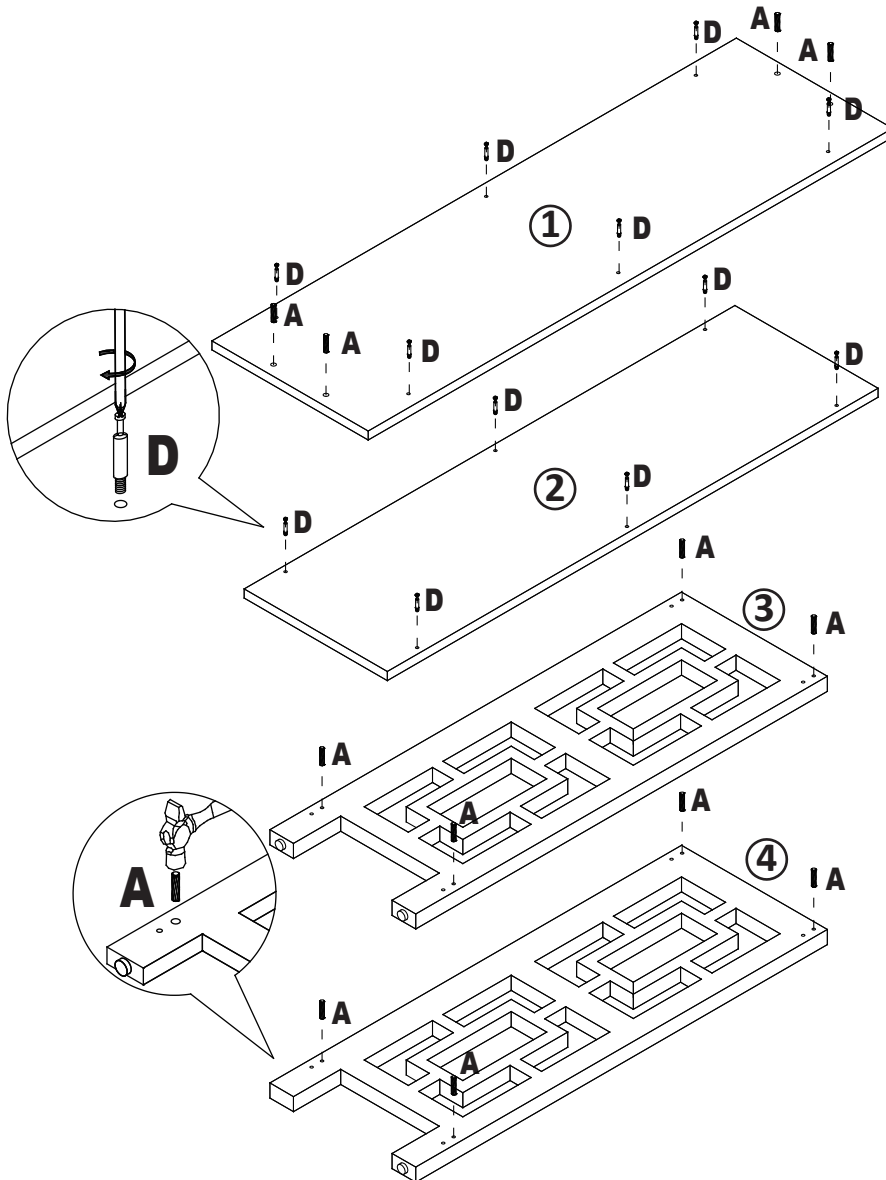
Please count and verify all parts before assembly .

Assembling the unit with camlocks and wood dowels.

			
<p>Gently screw cambolt into the threaded anchor.</p>	<p>Lightly glue one end of the wood dowel and tap halfway into hole.</p>	<p>Lightly glue wood dowel and connect to second panel by inserting dowels into holes.</p>	<p>Screw the camlock firmly into locked position.</p>

Step 1

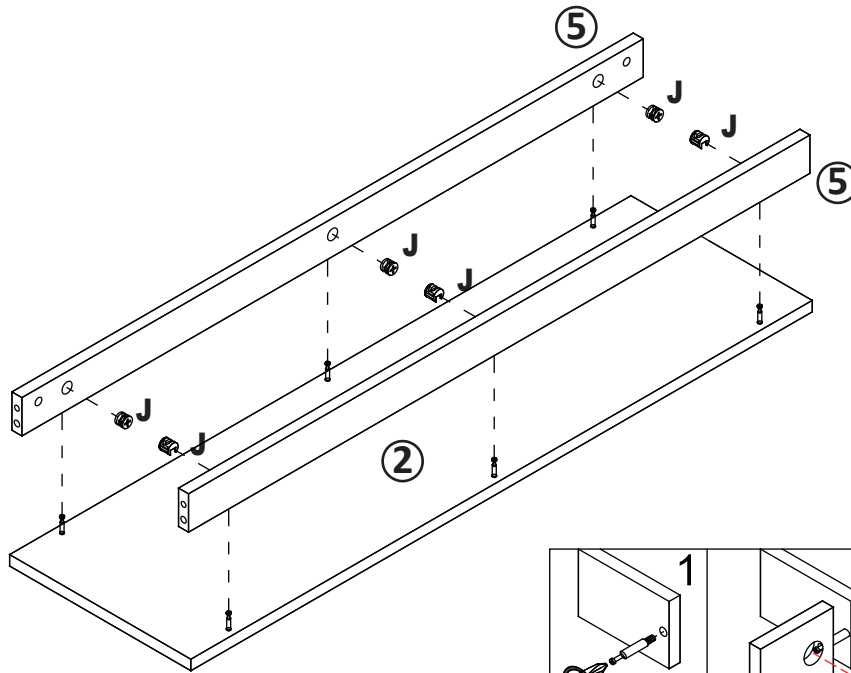
1. Screw Cambolts (D) into Top Panel ① and Bottom Panel ② as shown.
2. Insert Wood Dowels (A) into Top Panel ①, Left Panel ③ and Right Panel ④ .



Step 2

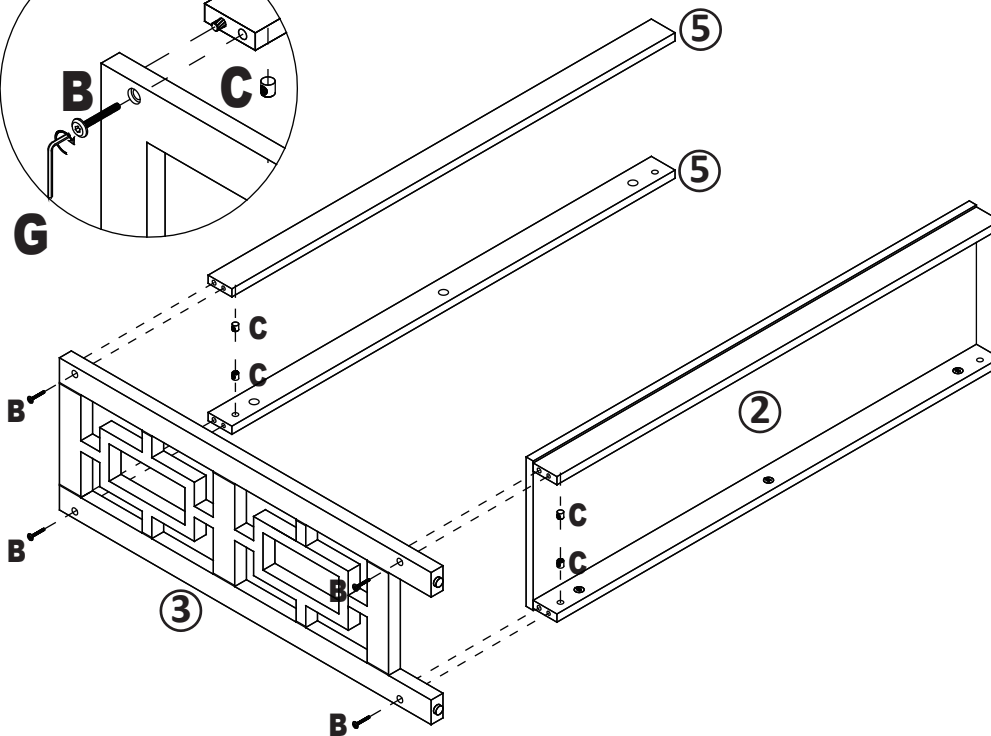
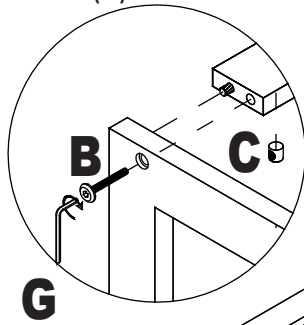
*Assemble unit on carpet or flat surface.

1. Insert Cam Locks (J) into 2 Support Bars (5).
2. Connect Support Bars (5) to Bottom Panel (2) by gently tightening Cam Locks (J).



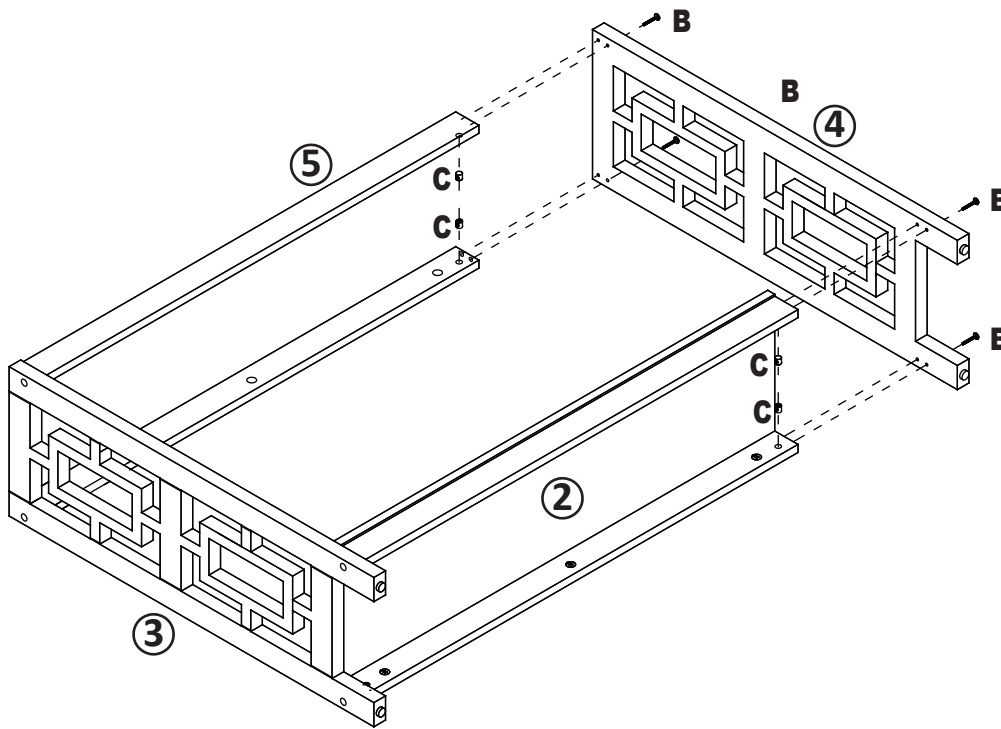
Step 3

1. Carefully connect Left Panel (3) to Bottom Panel (2) and Support Bars (5) using Bolts (B) and Lock Nuts (C).



Step 4

1. Repeat Step 3 using Right panel (4).



B



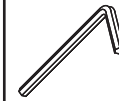
x4

C



x4

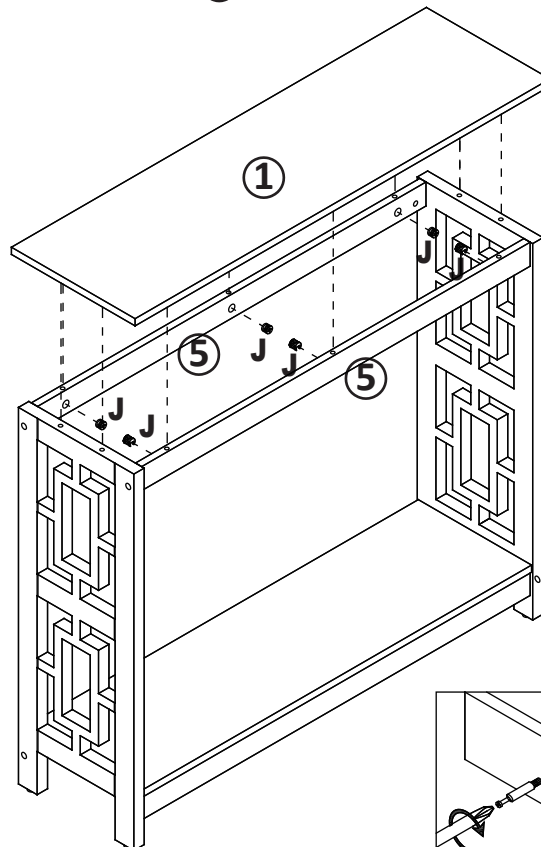
K



Step 5

1. Insert Cam Locks (J) into Support Bars (5).

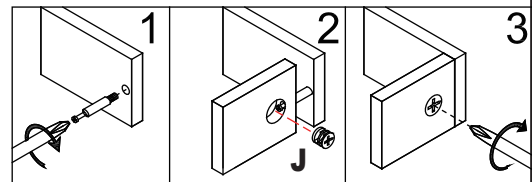
2. Connect assembly to Top Panel (1) by gently tightening Cam Locks (J).



J

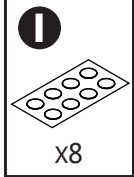
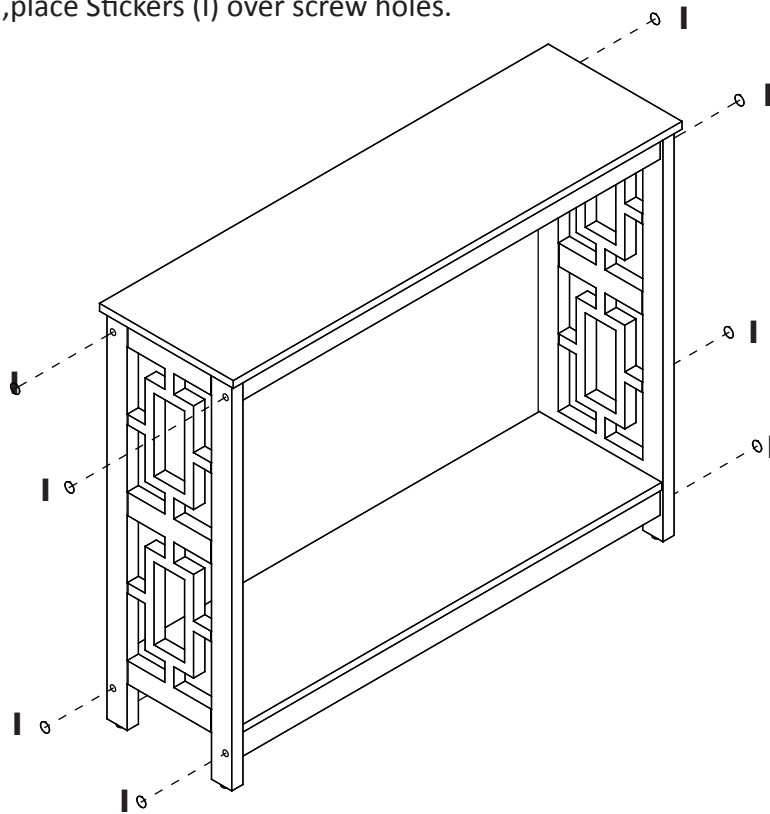


x6



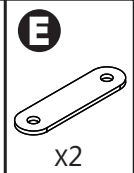
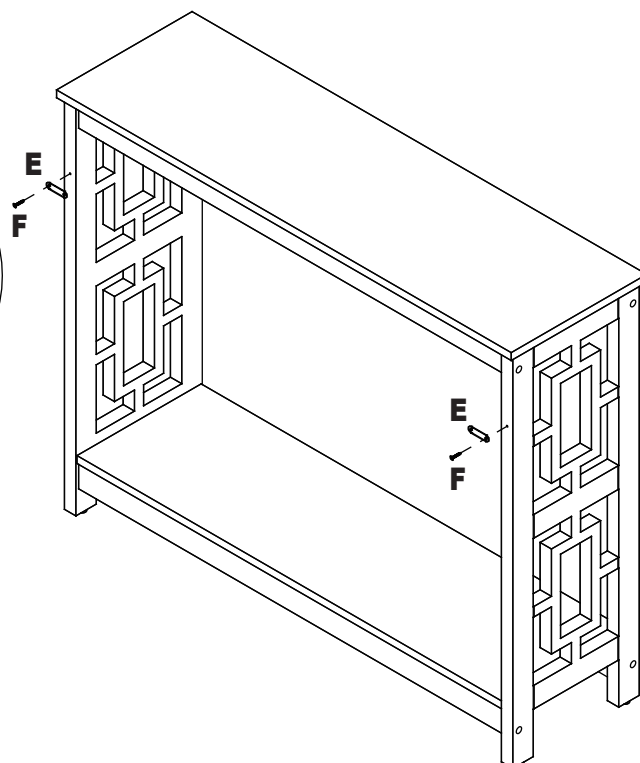
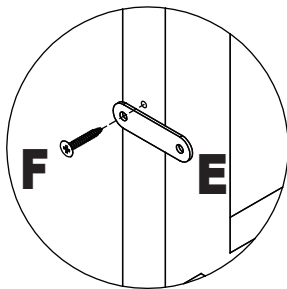
Step 6

1. If desired, place Stickers (I) over screw holes.



Step 7

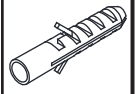
1. Attach Anti-Tip Bracket (E) to unit using Small Screws (F).



Step 8

1. Place unit against wall and mark Bracket Holes.
2. Drill holes in wall slightly smaller than anchor (G) and then tap anchor into holes.
3. Fasten unit to wall using Screw (H) through Bracket (E).
4. Enjoy.

G



x2

H



x4

