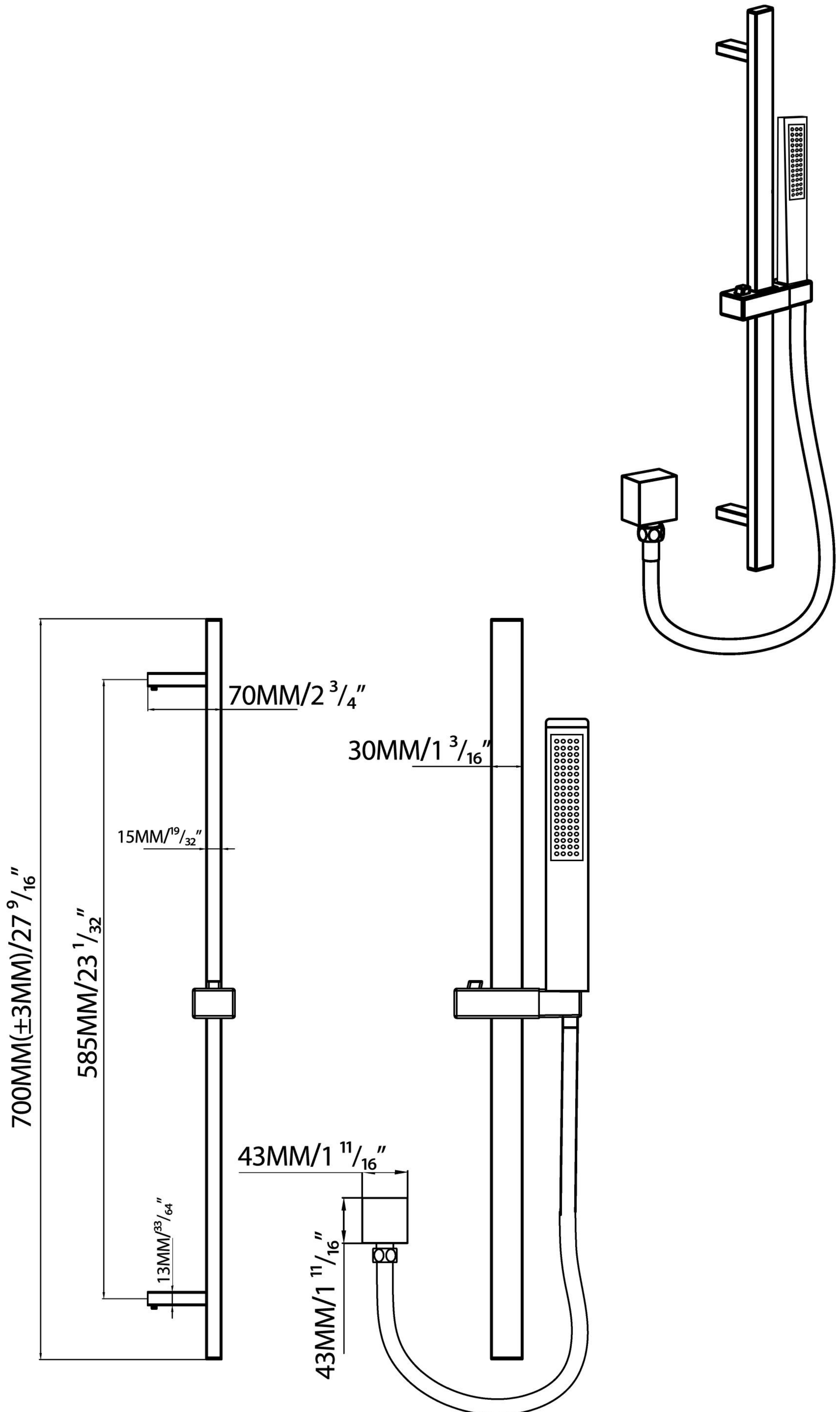
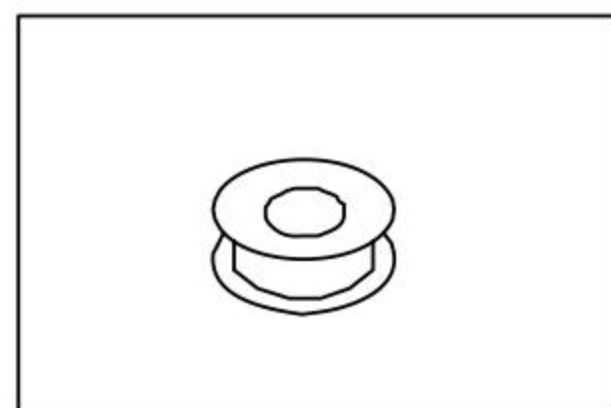
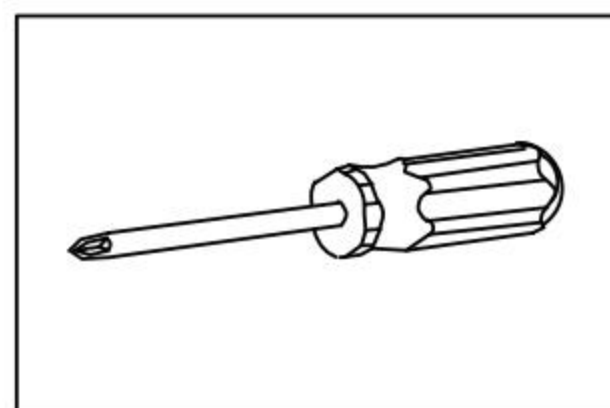
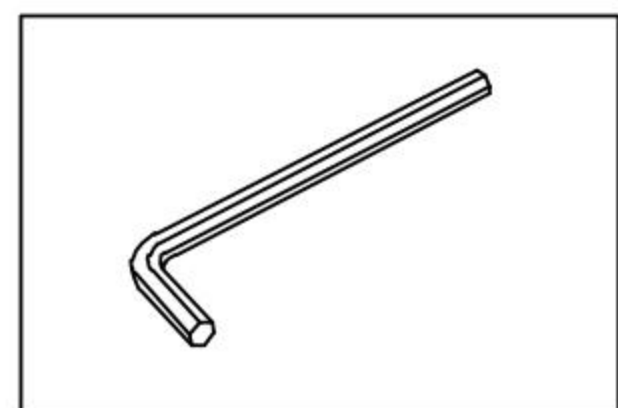
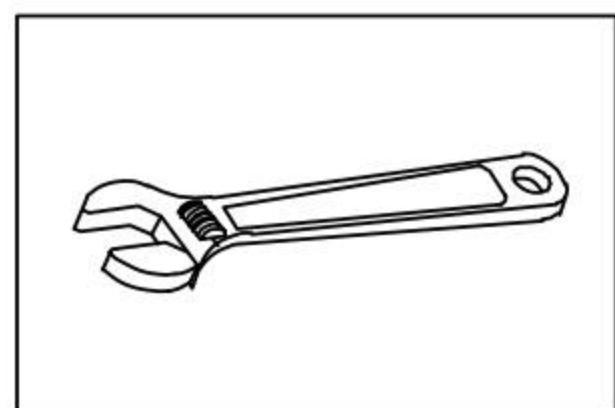


Specifications



Note: Dimensions are for reference only. Detailed information is in accordance with the final product.

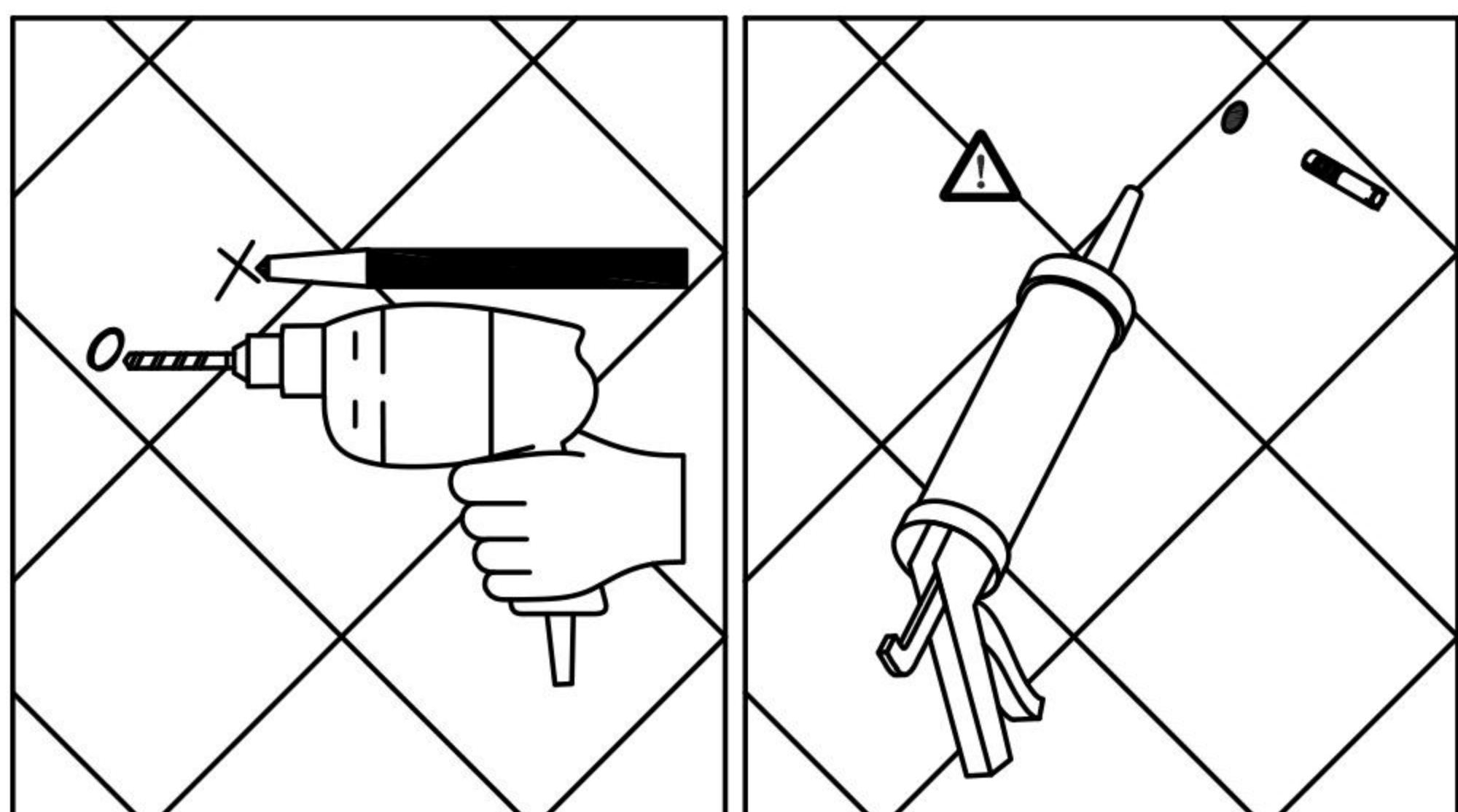
INSTALLATION MANUAL Tools You Will Need :



Adjustable wrench Hexagon wrench Phillips Screwdriver Pipe Tape

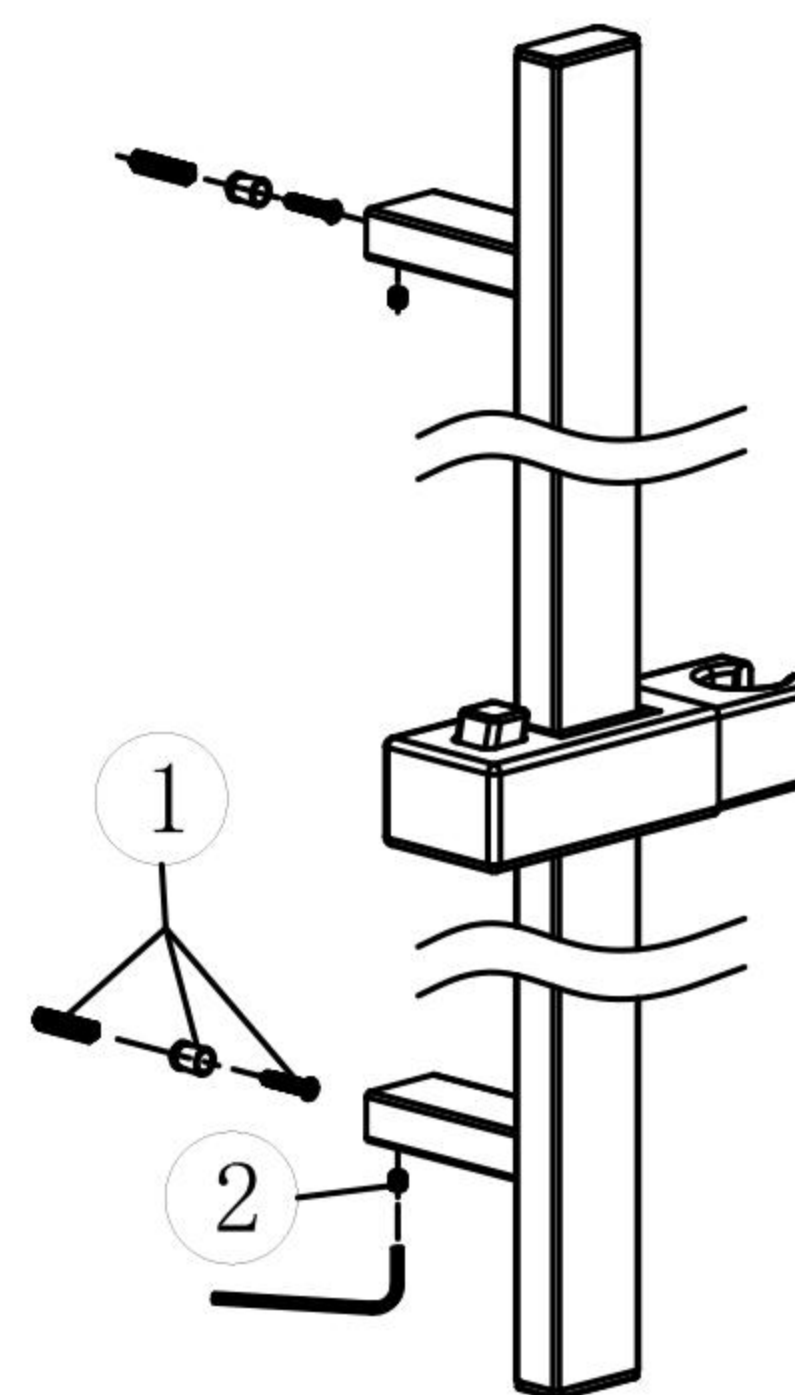
Notes before installation :

1. Please check that all components are present.
2. Before installation ensure that all feed lines are clear of debris and on/off valve is present.
3. Ensure water pressure is between 0.1-8 BAR (includes combination of hot and cold feed lines).
4. Pictures in the manual are general in content and may not represent exactly your purchased faucet.
If you are having difficulties please contact a professional plumber.
5. If you will be away from home for an extended period you should shut off the main water supply.



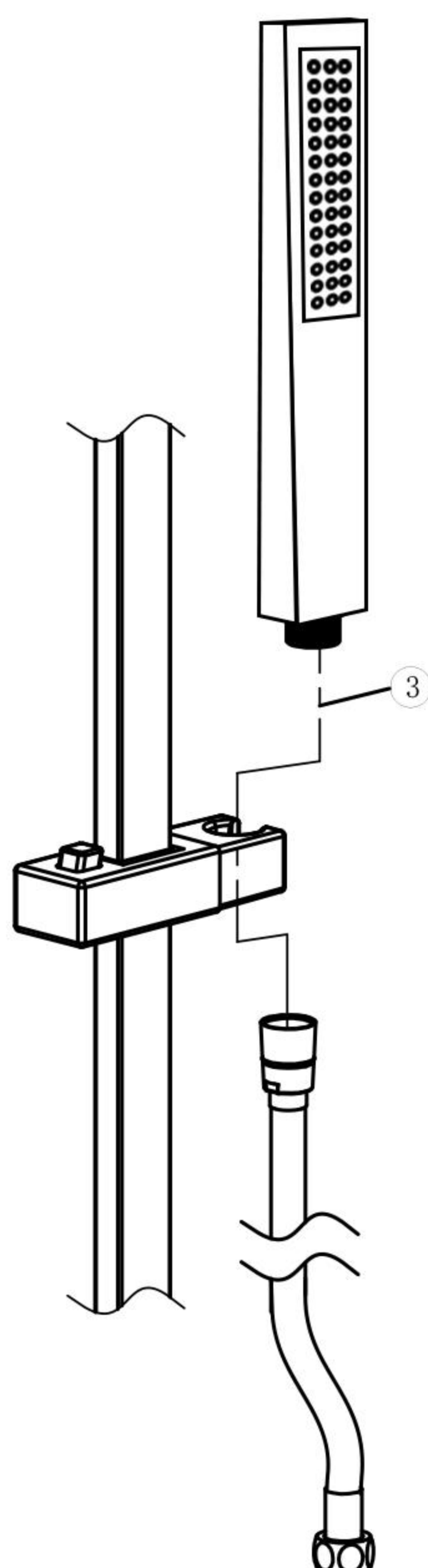
Step 1

Drill the screw holes and install the anchors.



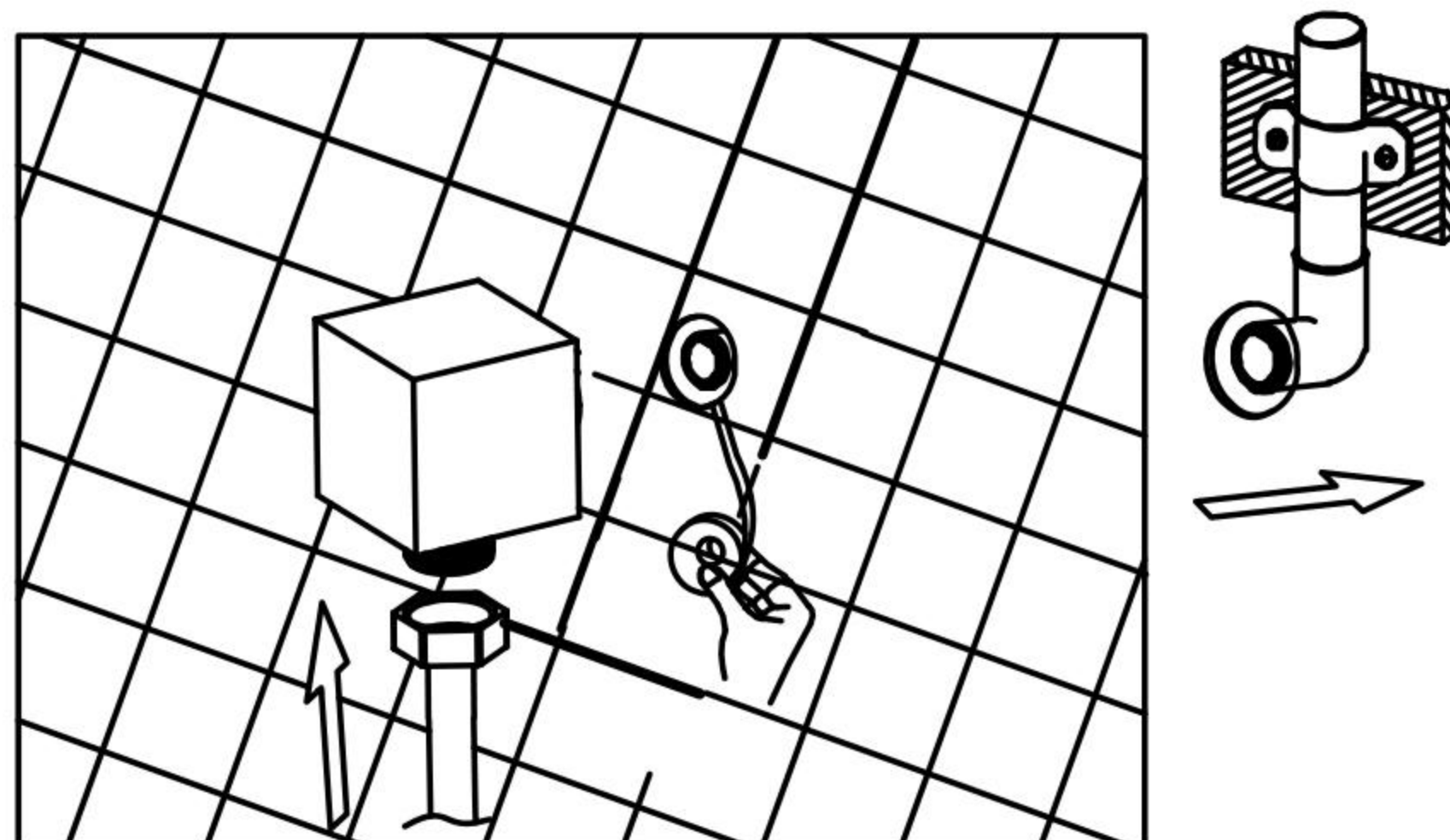
Step 2

01. Use tapping screw to fix holder on the wall.
02. Fixed the hex screw.



Step 3

Connect the hose with hand shower, the other outside
Insert connector to the pipe which outside the wall.



Step 4

Insert the connector to the pipe which outside the
wall, the other outside hole connect the hose with
hand shower.