

Assembly Instructions

CAUTION: You must read these Assembly Instructions before you proceed.

Care & Maintenance



•Not for commercial use. For residential use only.



•Do not put hot items directly on furniture surface.



•Do not clean furniture with harsh cleansers or polish.



•To obtain the longest lifespan of your outdoor product minimizing exposure to direct sunlight is recommended.



•Children should not climb or jump on the furniture.



•Do not write on furniture without a padded barrier to protect the surface.



•To obtain the longest lifespan of your outdoor products, avoid extended and lengthy exposure to rain, snow, and direct sunshine. Whenever possible cover the product and /or place under patio or awnings.



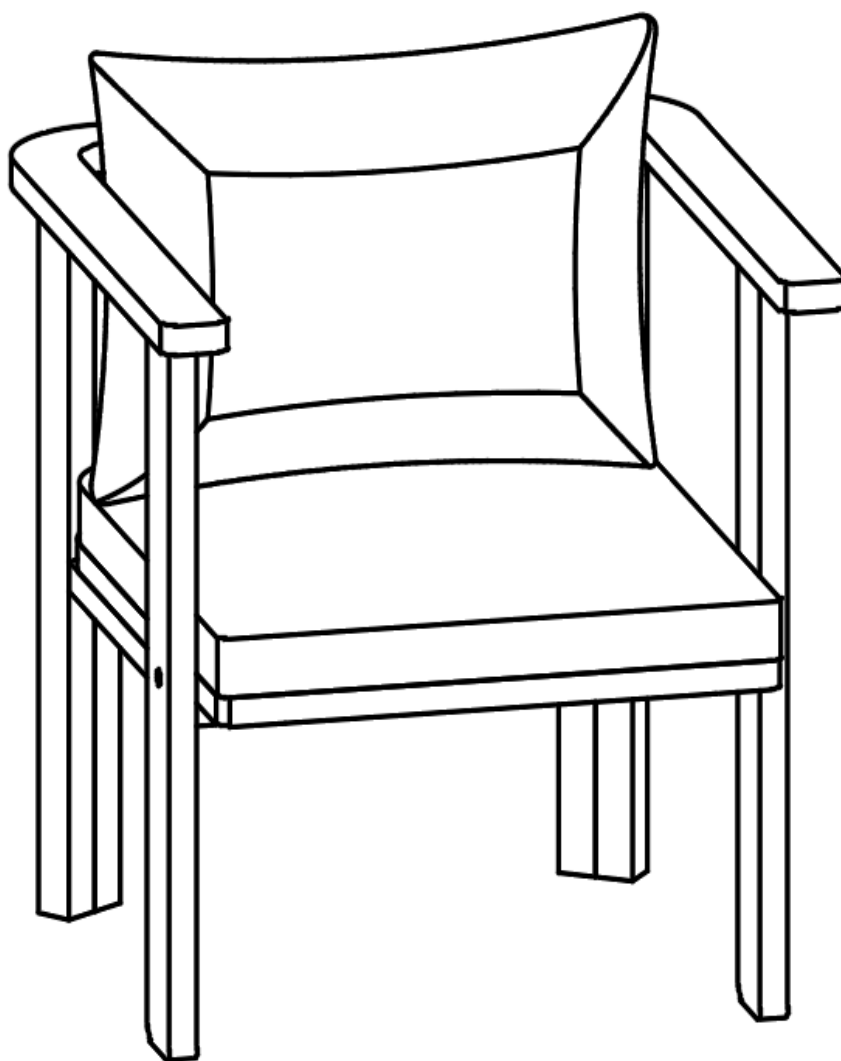
•Stains may be removed with mild soap solution and damp cloth.



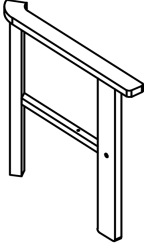
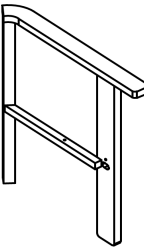
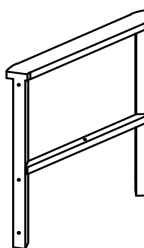
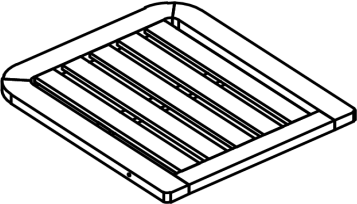
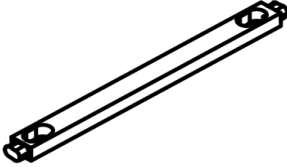
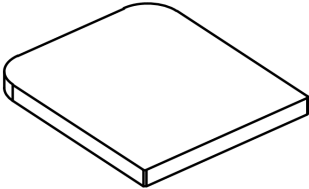
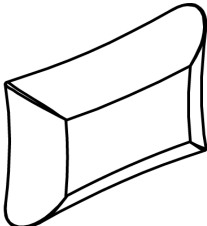
•Dust and pick-up spills using a clean, non-colored, lint-free cloth.

Please look in the Leg Panel for hardware packs.



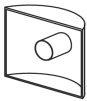


CHAIR



Parts List:

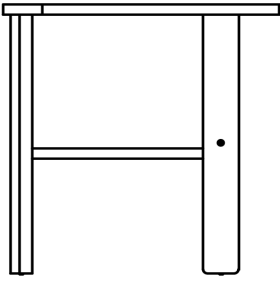
Label	Picture	Description	QTY
A	 A line drawing of a rectangular panel with a vertical leg on the right side and a horizontal top rail. A small dot is visible on the vertical leg.	Left Leg Panel	1
B	 A line drawing of a rectangular panel with a vertical leg on the left side and a horizontal top rail. A small dot is visible on the vertical leg.	Right Leg Panel	1
C	 A line drawing of a rectangular panel with a vertical leg on the left side and a horizontal top rail. A small dot is visible on the vertical leg.	Backrest Panel	1
D	 A line drawing of a square seat panel with a raised edge and several parallel slats across the top surface.	Seat Panel	1
E	 A line drawing of a long, thin rectangular bar with rounded ends and two circular holes, one near each end.	Front Support Bar	1
F	 A line drawing of a square, flat cushion with rounded corners.	Seat Cushion	1
G	 A line drawing of a rectangular cushion with a curved back edge and a slightly raised front edge.	Back Cushion	1

Hardware:

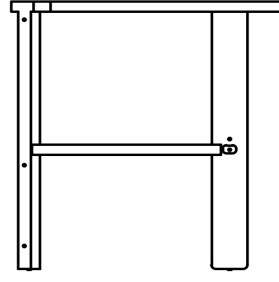
No	Picture	Description	QTY
①		Bolt (M6x50mm)	7
②		Bolt (M6x40mm)	3
③		Washer	3
④		Screw (M6x40mm)	6
⑤		Allen Wrench	2

Assembly Preparation:

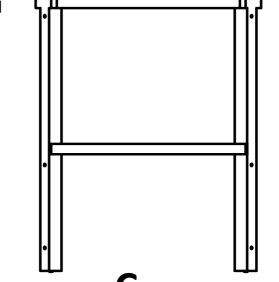
Before Beginning Assembly:



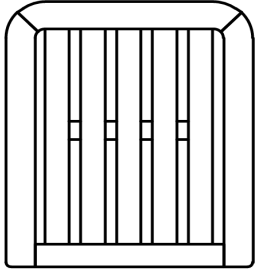
A



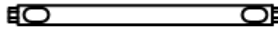
B



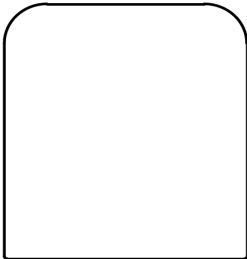
C



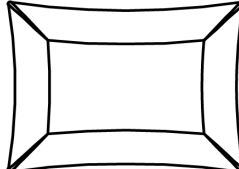
D




E




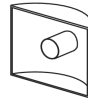
F





G

①  x 7

②  x 3

③  x 3

④  x 6

⑤  x 2



- Read instructions, cover to cover-



- Have 2 adults on hand for assembly-



- Do not assemble on flooring or carpet-



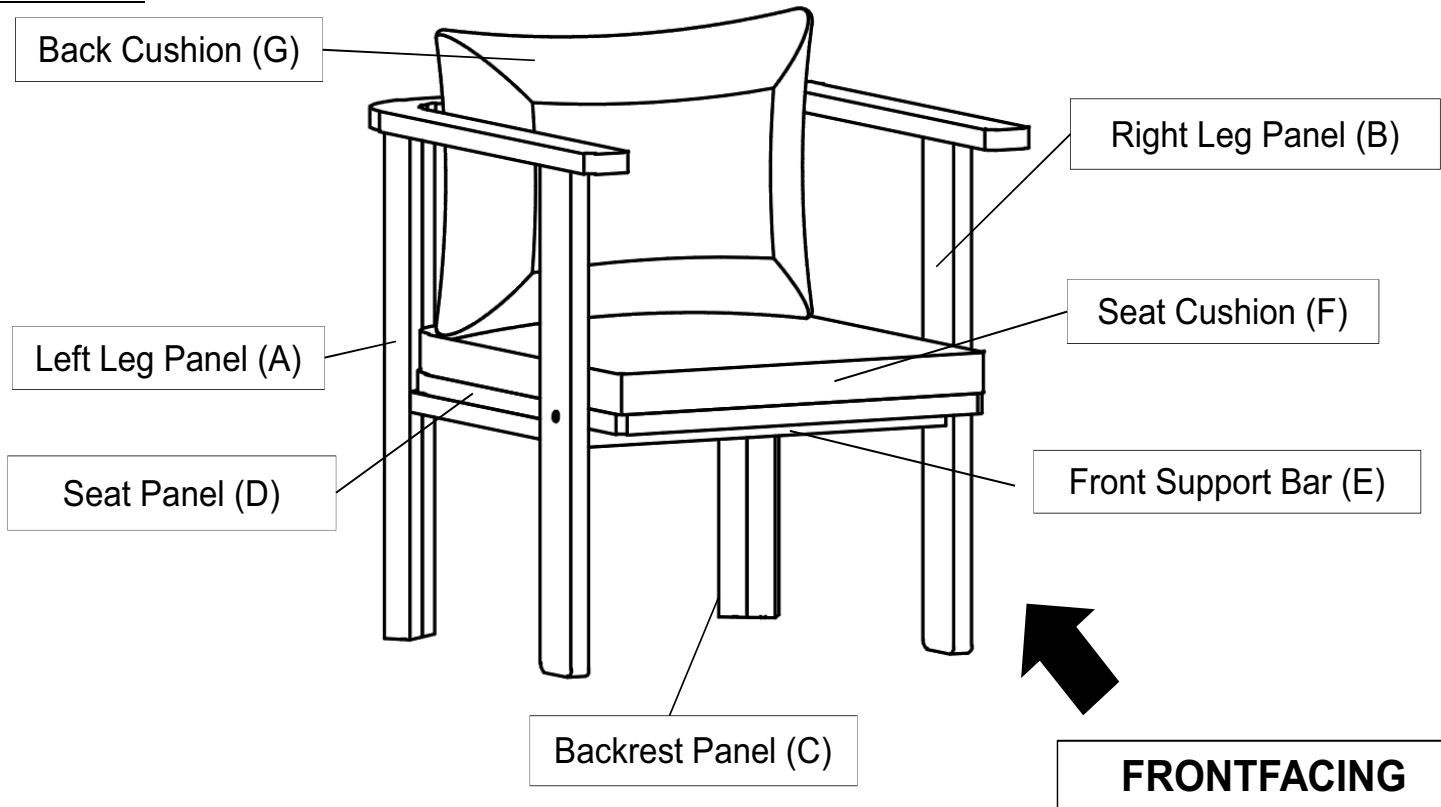
- Assemble on a clean non-marring surface (packing foam)-



- Save all packaging until finished-

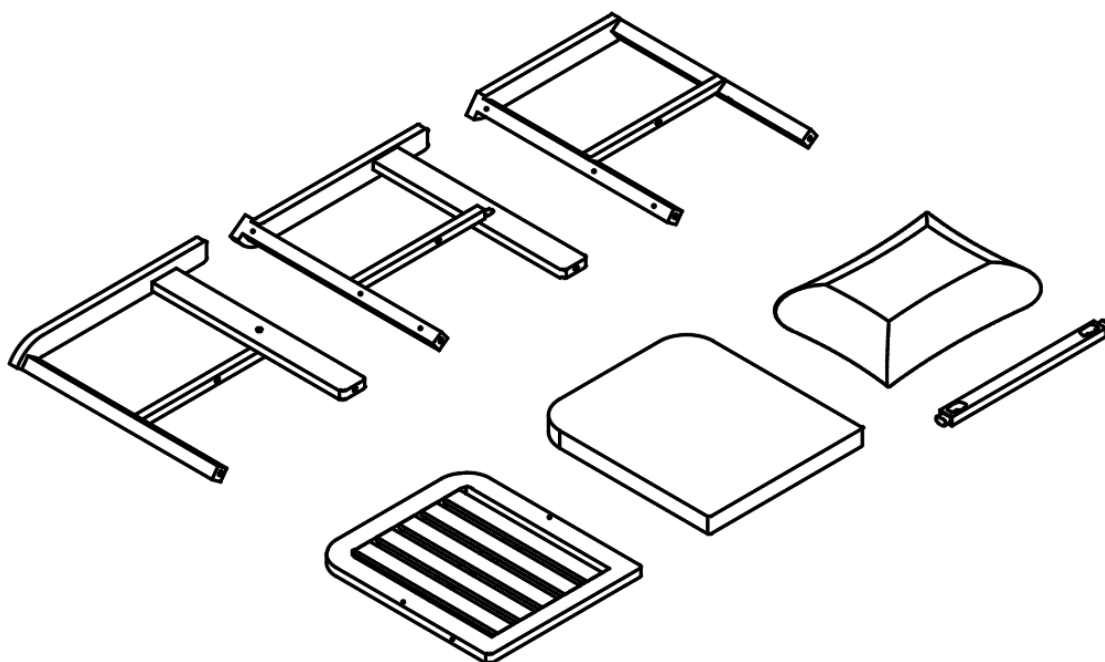
Assembly Steps:

Overview:



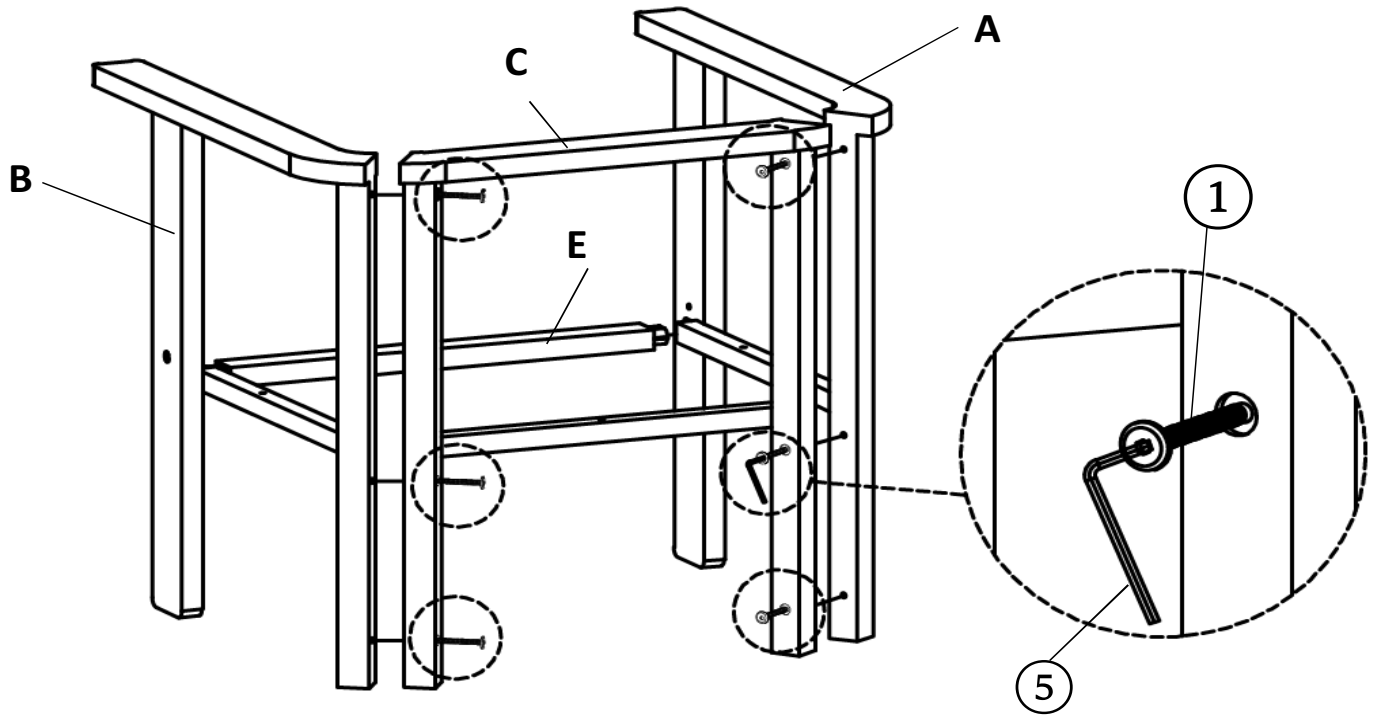
This Chair has multiple parts and may require up to 30 minutes to assemble. To give you an overview of the Chair parts, the above picture is to help you put the various parts into perspective. Please read through the instructions below to familiarise yourself with the parts and steps before assembly.

Step 1:



Unpack and place all parts on a clean, non-marring surface.

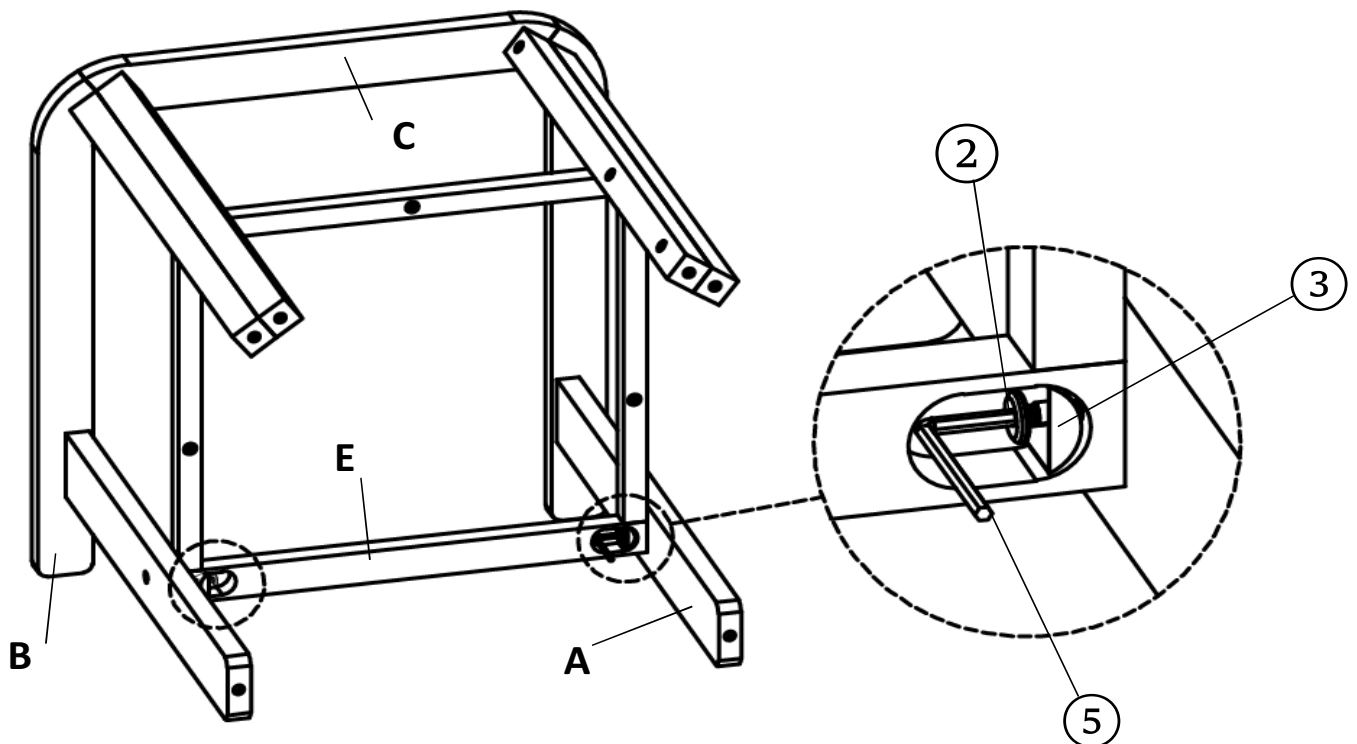
Step 2:



With the help of your adult partner, attach Backrest Panel (C), Front Support Bar (E) to Left Leg Panel (A) and Right Leg Panel (B) as shown above. Then secure Backrest Panel (C) to Leg Panels (A, B) by using Bolts (1) and Allen Wrench (5) as shown above.

DO NOT fully tighten the Bolts.

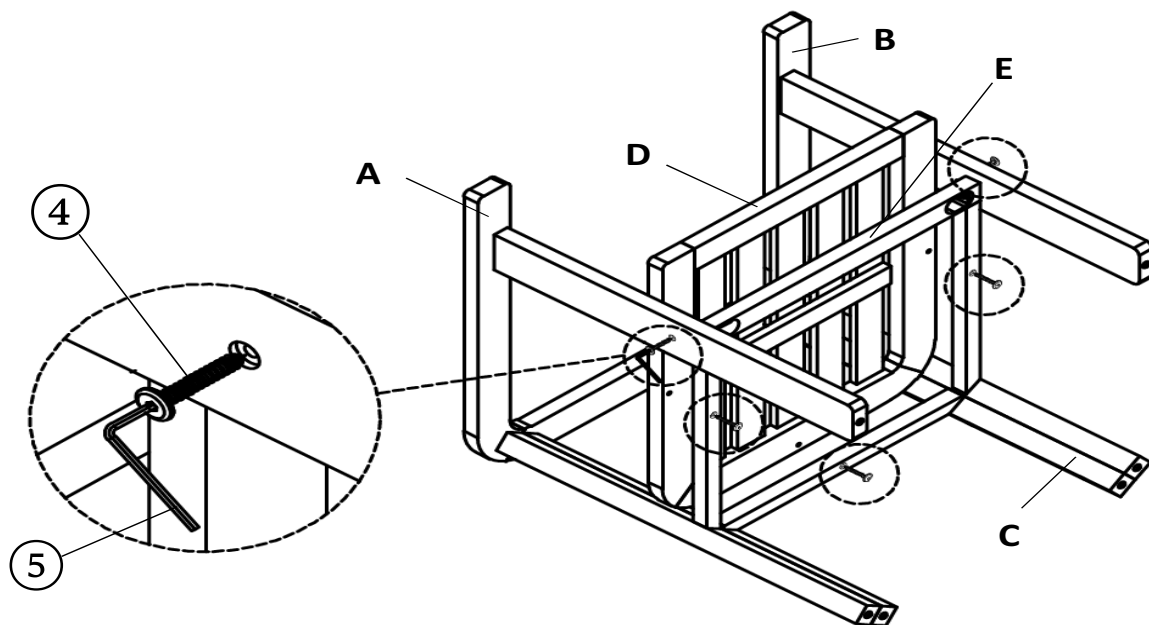
Step 3:



With the help of your adult partner, turn the assembled part in Step 3 front side down, then secure Front Support Bar (E) to Leg Panels (A, B) by using Bolts (2), Washers (3) and Allen Wrench (5) as shown above.

DO NOT fully tighten the Bolts.

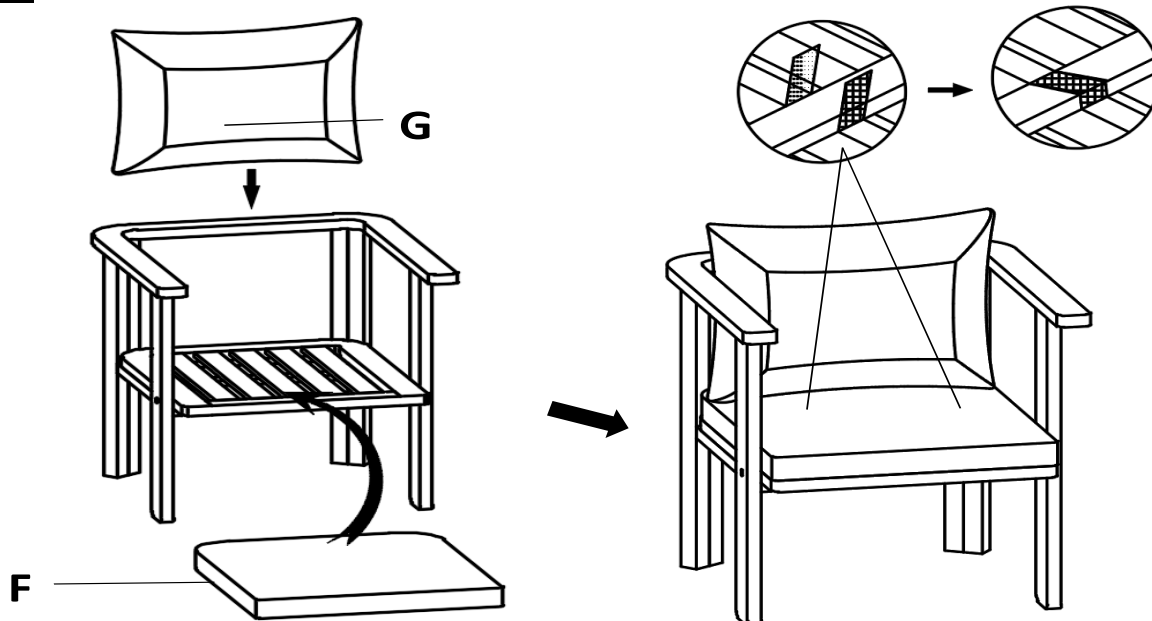
Step 4:



With the help of your adult partner, turn the assembled part in Step 3 front side up, then secure Seat Panel (D) to Leg Panels (A, B) and Backrest Panel (C) of the assembled part in Step 3 by using Screws (④) and Allen Wrench (⑤) as shown above.

DO NOT fully tighten the Screws.

Step 5:



Inspect it and make sure all parts are adequately connected.

Turn the Chair right side up.

Gently and gracefully, sit onto the Chair.

This will help to align all the parts at all joint areas.

Then get off the Chair and in a sequential manner, gradually tighten all Bolts and Screws at all joints until evenly connected.

If there are still wobbles, loosen the Bolts, Screws and execute this same process.

Place Seat Cushion (F) by affix the Magic Tape Straps on the seat slats of Seat Panel (D) as shown above, then place Back Cushion (G) onto the Seat Cushion (F) as shown above.

WARNING!! IF CHAIR IS NOT STABLE, IT COULD LEAD TO DAMAGING THE PRODUCT. Your Chair is ready for use.

This Chair can only be used on a flat, level surface.

Assembly Instructions

CAUTION: You must read these Assembly Instructions before you proceed.

Care & Maintenance



•Not for commercial use. For residential use only.



•Do not put hot items directly on furniture surface.



•Do not clean furniture with harsh cleansers or polish.



•To obtain the longest lifespan of your outdoor product minimizing exposure to direct sunlight is recommended.



•Children should not climb or jump on the furniture.



•Do not write on furniture without a padded barrier to protect the surface.



•To obtain the longest lifespan of your outdoor products, avoid extended and lengthy exposure to rain, snow, and direct sunshine. Whenever possible cover the product and /or place under patio or awnings.



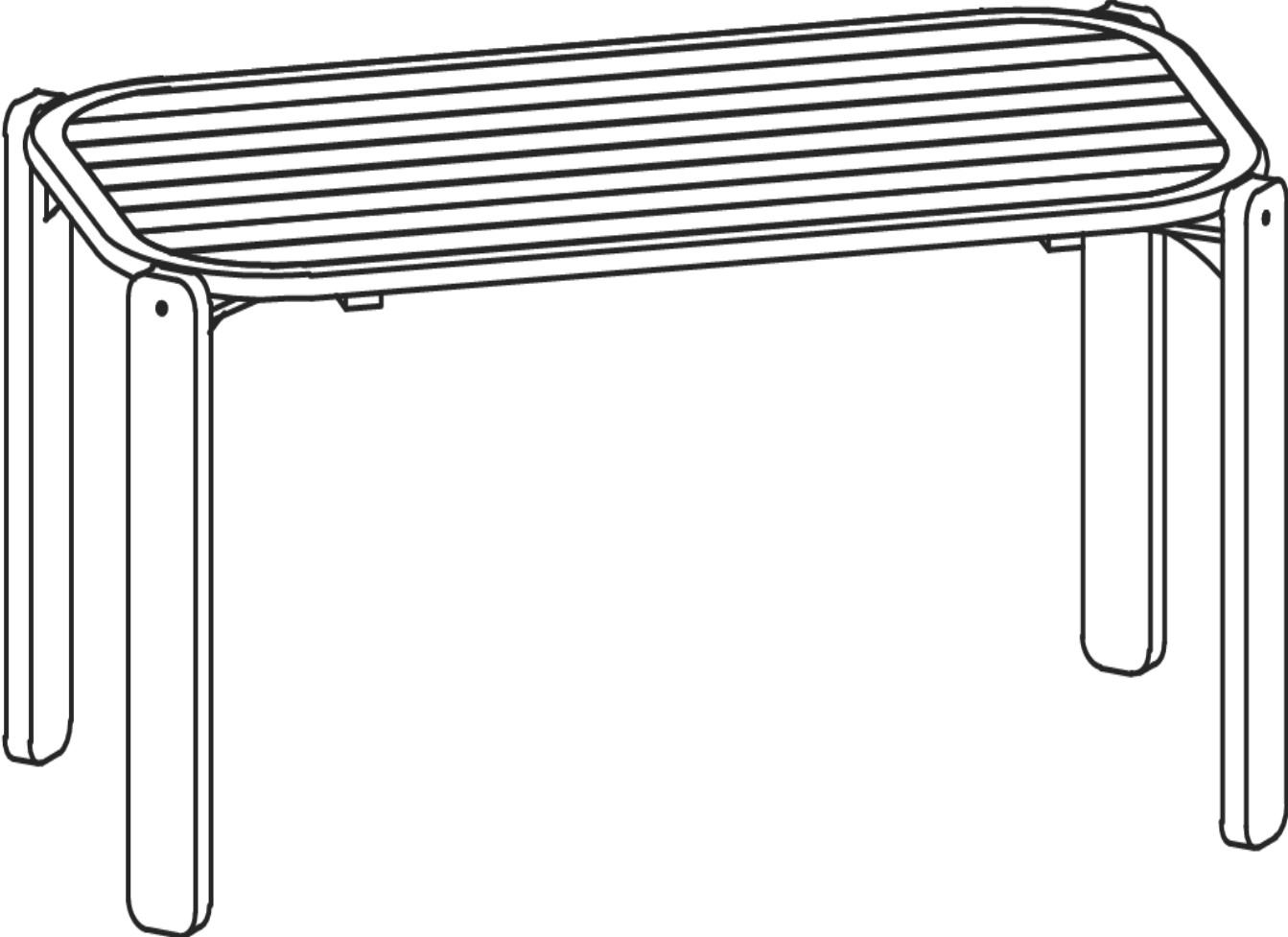
•Stains may be removed with mild soap solution and damp cloth.



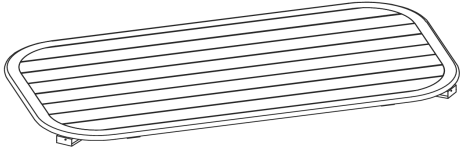


•Dust and pick-up spills using a clean, non-colored, lint-free cloth.

Please look in underneath of Table Top for hardware packs.



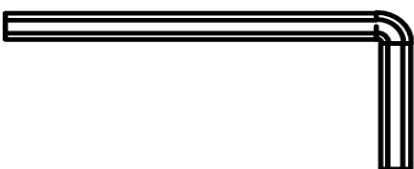
TABLE



Parts List:

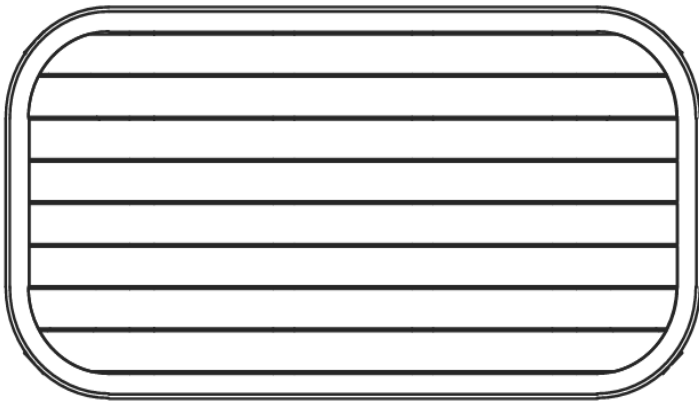
Label	Picture	Description	QTY
A		Table Top	1
B		Leg	4
C		Wooden Block	4

Hardware:

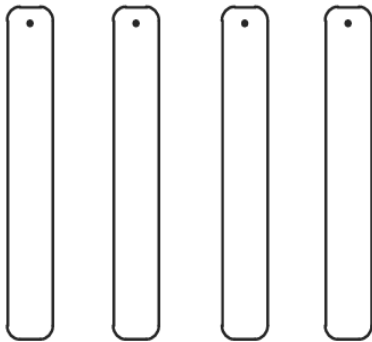
No	Picture	Description	QTY
①		Screw (M7*110mm)	5
②		Screw (M6*50mm)	9
③		Allen Wrench	1

Assembly Preparation:

Before Beginning Assembly:



A



B



Cx4



• Read instructions, cover to cover-



• Have 2 adults on hand for assembly-



• Do not assemble on flooring or carpet-



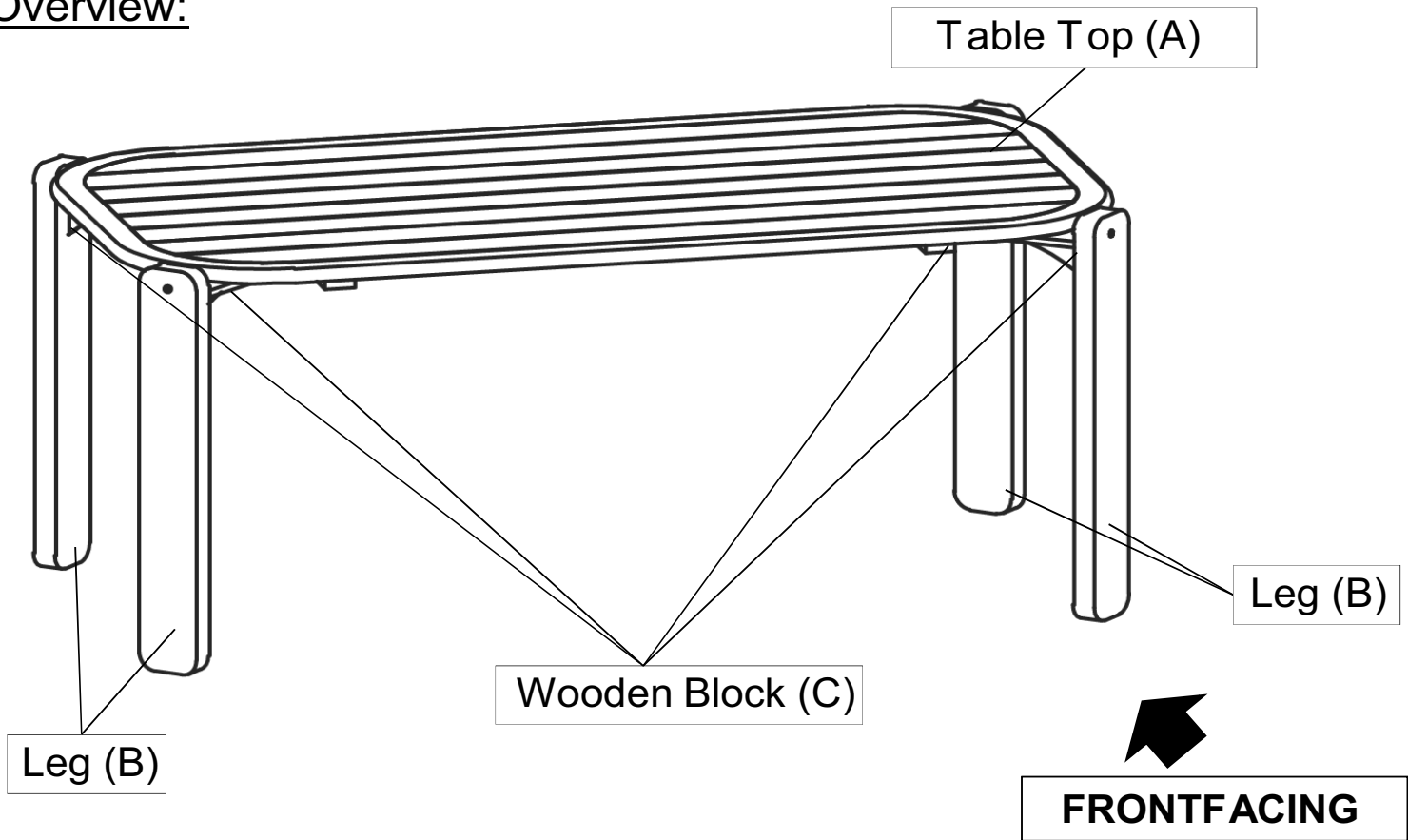
• Assemble on a clean non-marring surface (packing foam)-



• Save all packaging until finished-

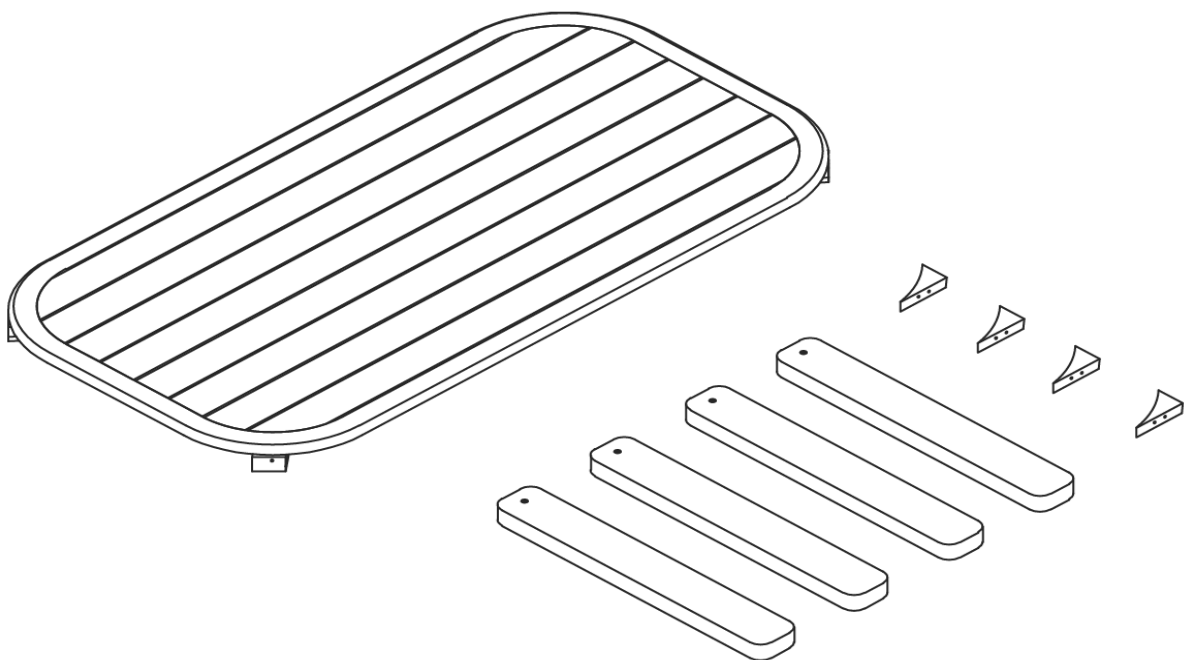
Assembly Steps:

Overview:



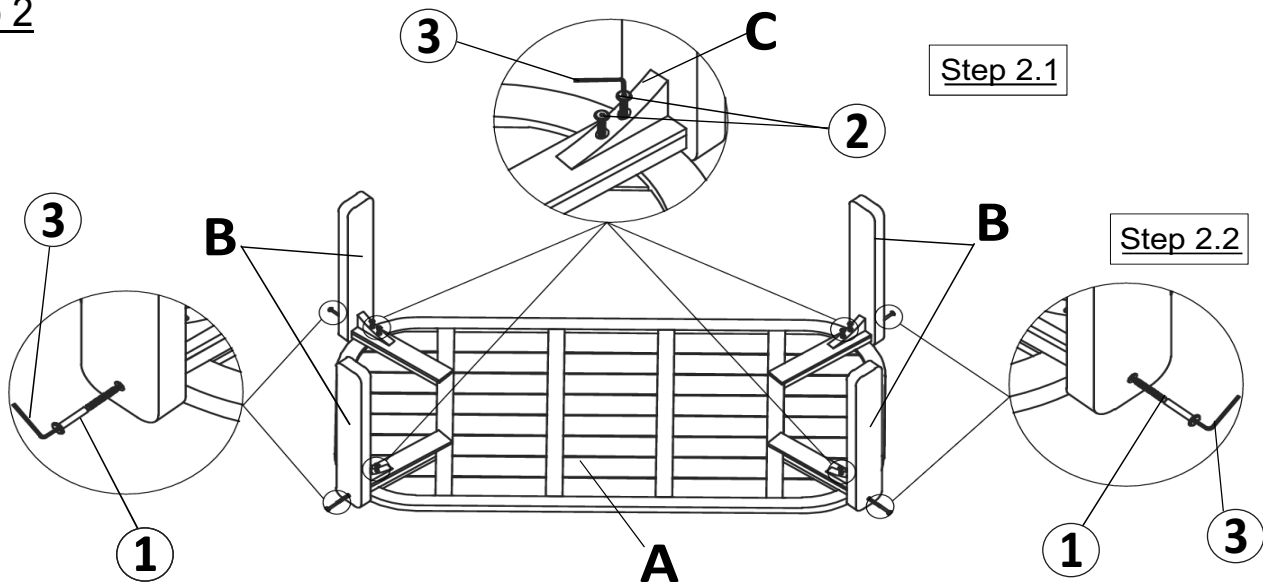
This Table has multiple parts and may require up to 15 minutes to assemble. To give you an overview of the Table parts, the above picture is to help you put the various parts into perspective. Please read through the instructions below to familiarise yourself with the parts and steps before assembly.

Step 1:



Unpack and place all parts on a clean, non-marring surface.

Step 2

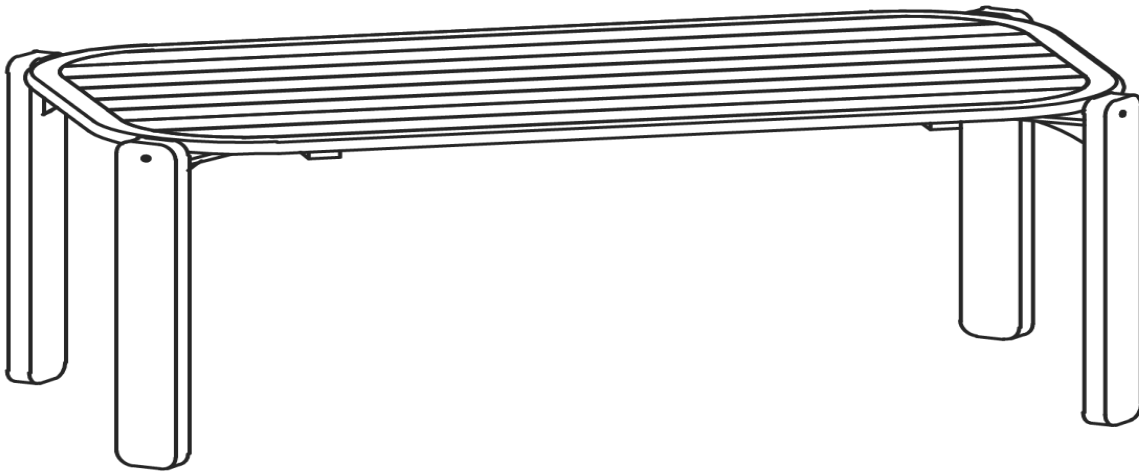


With the help of your adult partner, place Table Top (A) facing down, attach Legs (B) and Wooden Blocks (C) to Table Top (A) as shown above, then:

Step 2.1, secure Wooden Blocks (C) to Table Top (A) by using Screws (2) and Allen Wrench (3).

Step 2.2, secure Legs (B) to Table Top (A) by using Screws (1) and Allen Wrench (3).
DO NOT fully tighten the Screws.

Step 3



With the help of your adult partner, stand the Table up.

Exert pressure floorwards, onto the Table with both your hands.

This pressure will help the Legs and Table Top reach full alignment status.

Check for wobbles on a LEVEL surface.

If no wobbles are found proceed to tighten the Screws in a sequential manner, until evenly secured.

When tightening the Screws tighten sequentially.

DO NOT tighten any Screw fully and then move on towards the next one.

If there are still wobbles, loosen the Screws and execute the same above process.

WARNING!! IF TABLE IS NOT STABLE, IT COULD LEAD TO DAMAGING THE PRODUCT.

Your Table is ready for use.

This Table can only be used on a flat, level surface.