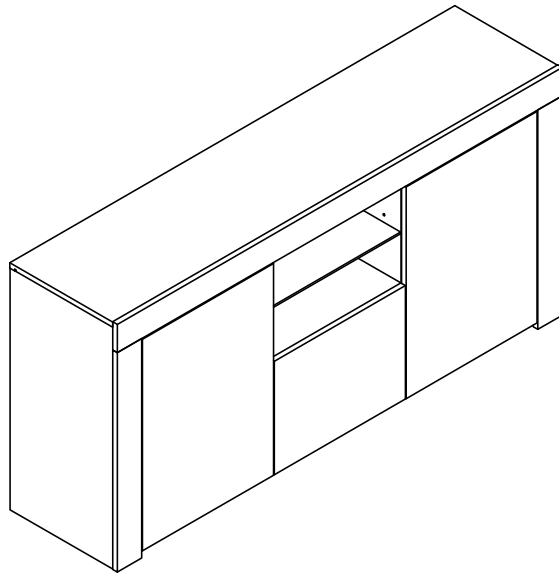
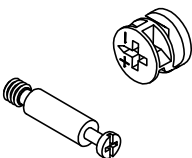

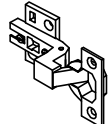
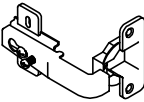
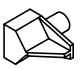
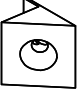
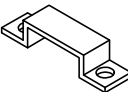



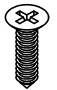
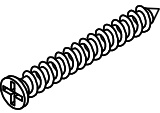
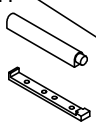

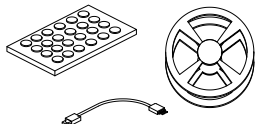


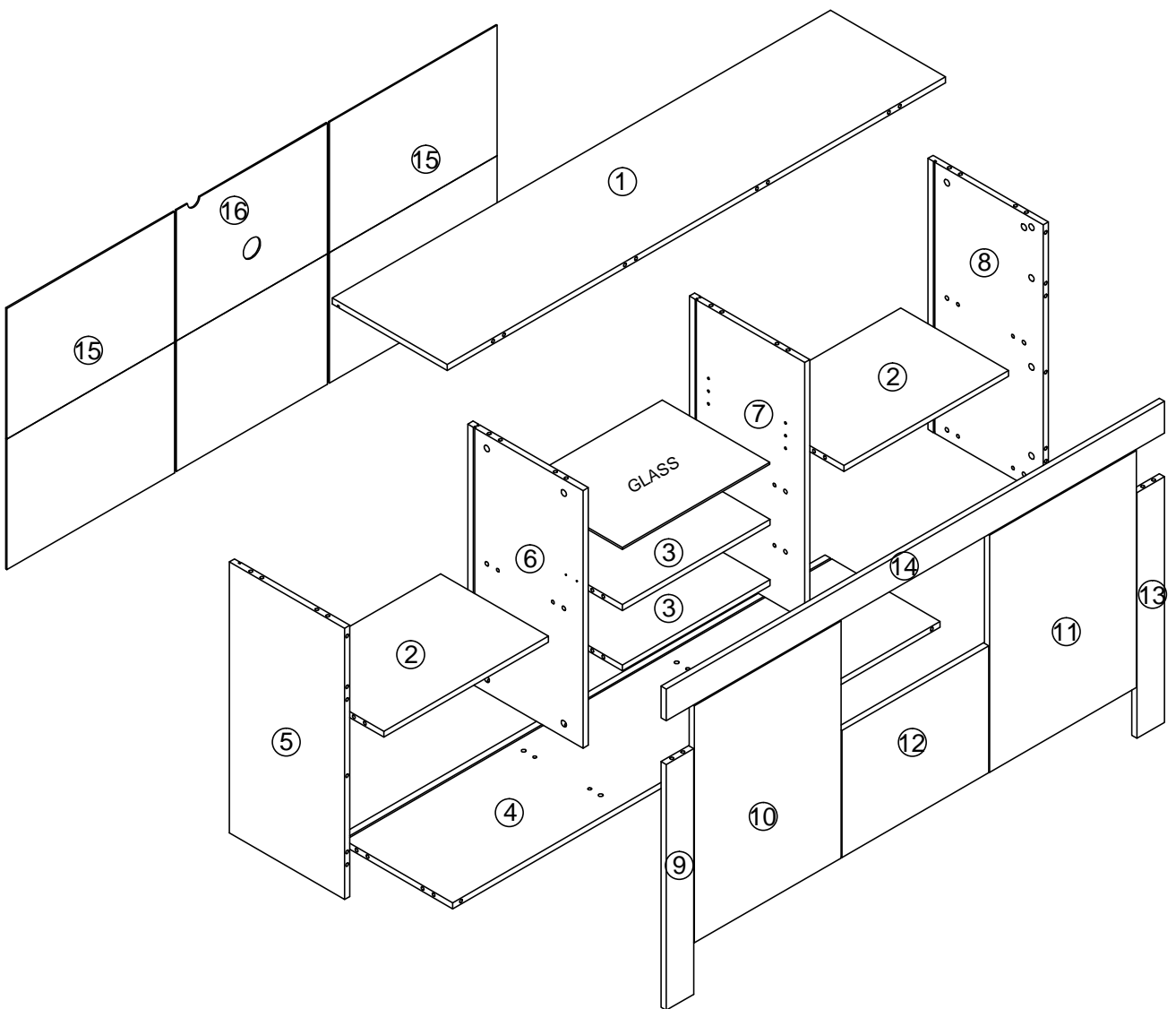
ASSEMBLY INSTRUCTION

DESCRIPTION:LED TV STAND

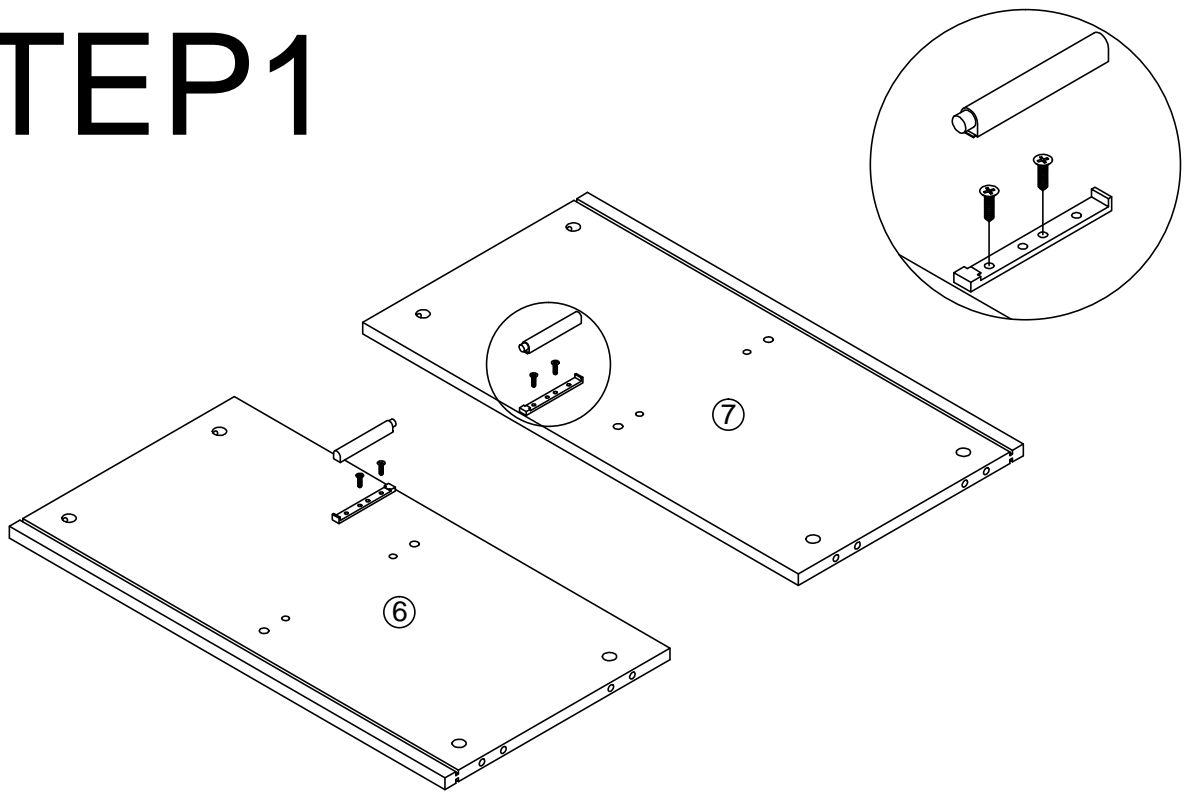
Thank you for purchasing this quality product. Be sure to check all packing material carefully and small parts that may have come loose inside of the carton during shipment



	 $\text{Ø}8*40$			
<p>A:THREE IN ONE SCREW SET*46PCS</p>	<p>B:DOWEL*44PCS</p>	<p>C:HINGE*2PCS</p>	<p>D:90° HINGE*4PCS</p>	<p>E:SUCTION HOLDER*4PCS</p>
				 $\text{Ø}3*12$
<p>F:BACK CLIP*20PCS</p>	<p>G:LED STRIP CLIP*2PCS</p>	<p>H:BLACK SQUARE FOOT*2PCS</p>	<p>I:SPIKE FEET*6PCS</p>	<p>J:SCREWS*4PCS</p>
 $\text{Ø}3.5*14$	 $\text{Ø}4*30$	 M1  M2		
<p>K:SCREWS*52PCS</p>	<p>L:SCREWS*2PCS</p>	<p>M:REBOUNDER*2PCS</p>	<p>N:LED STRIP*1PCS</p>	

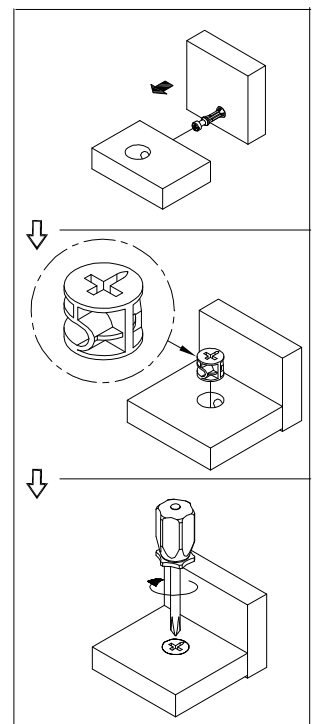
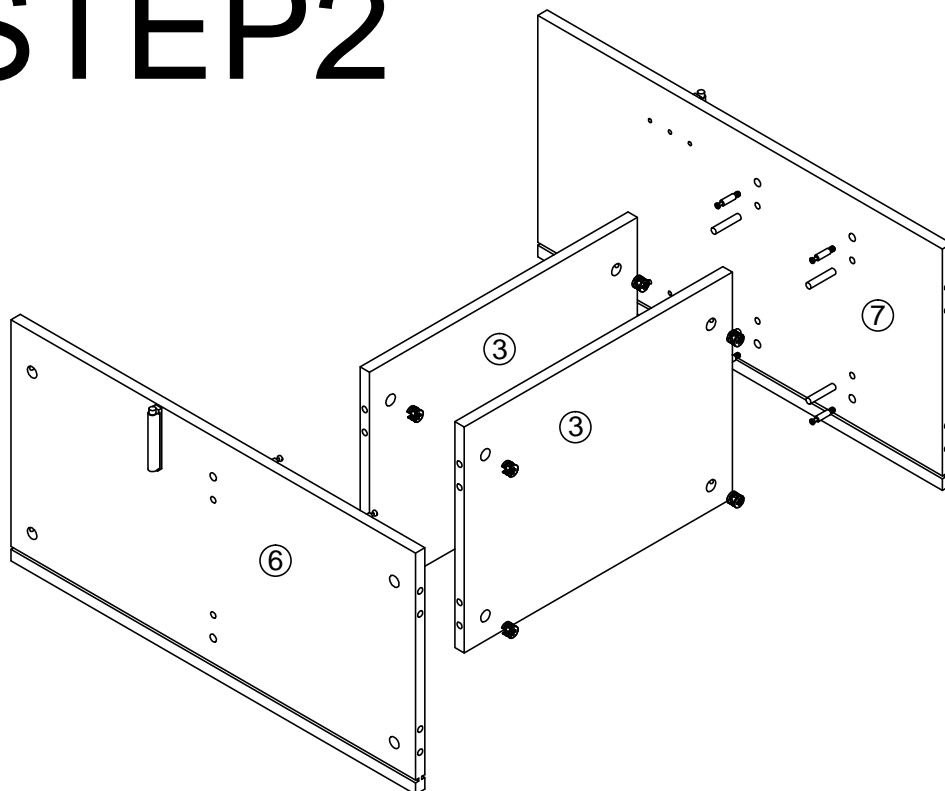


STEP 1



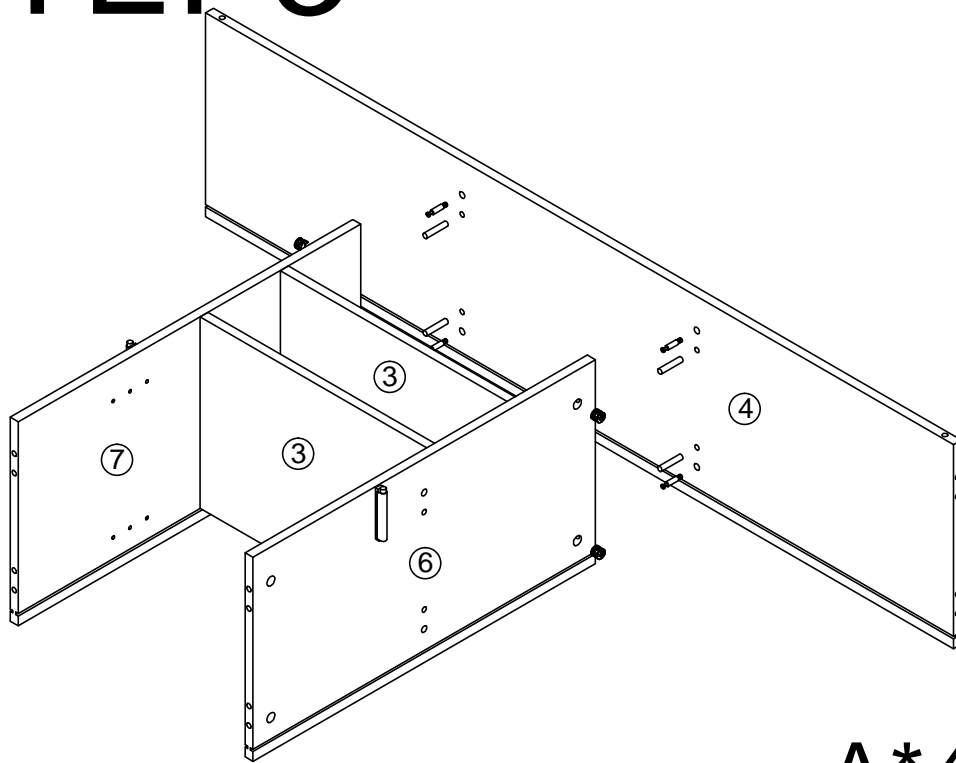
$K*4+M1*2$

STEP 2



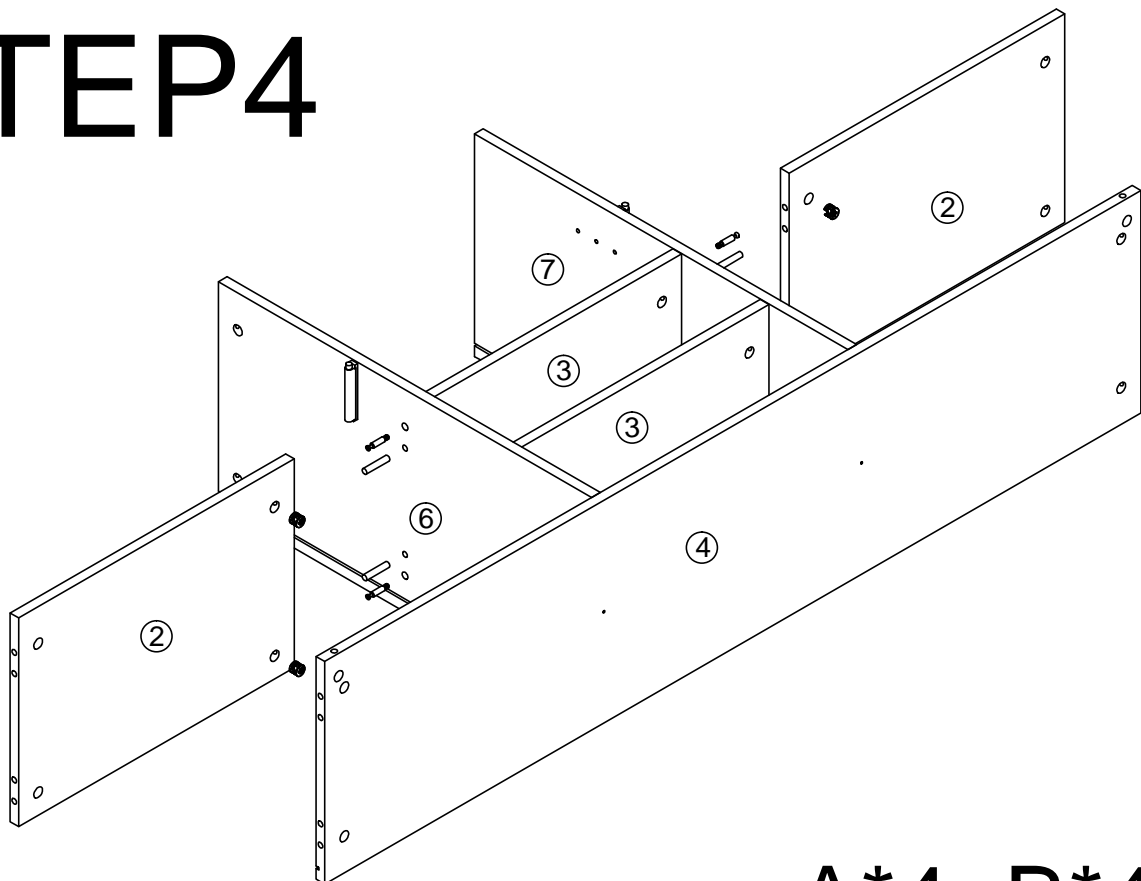
$A*8+B*8$

STEP 3



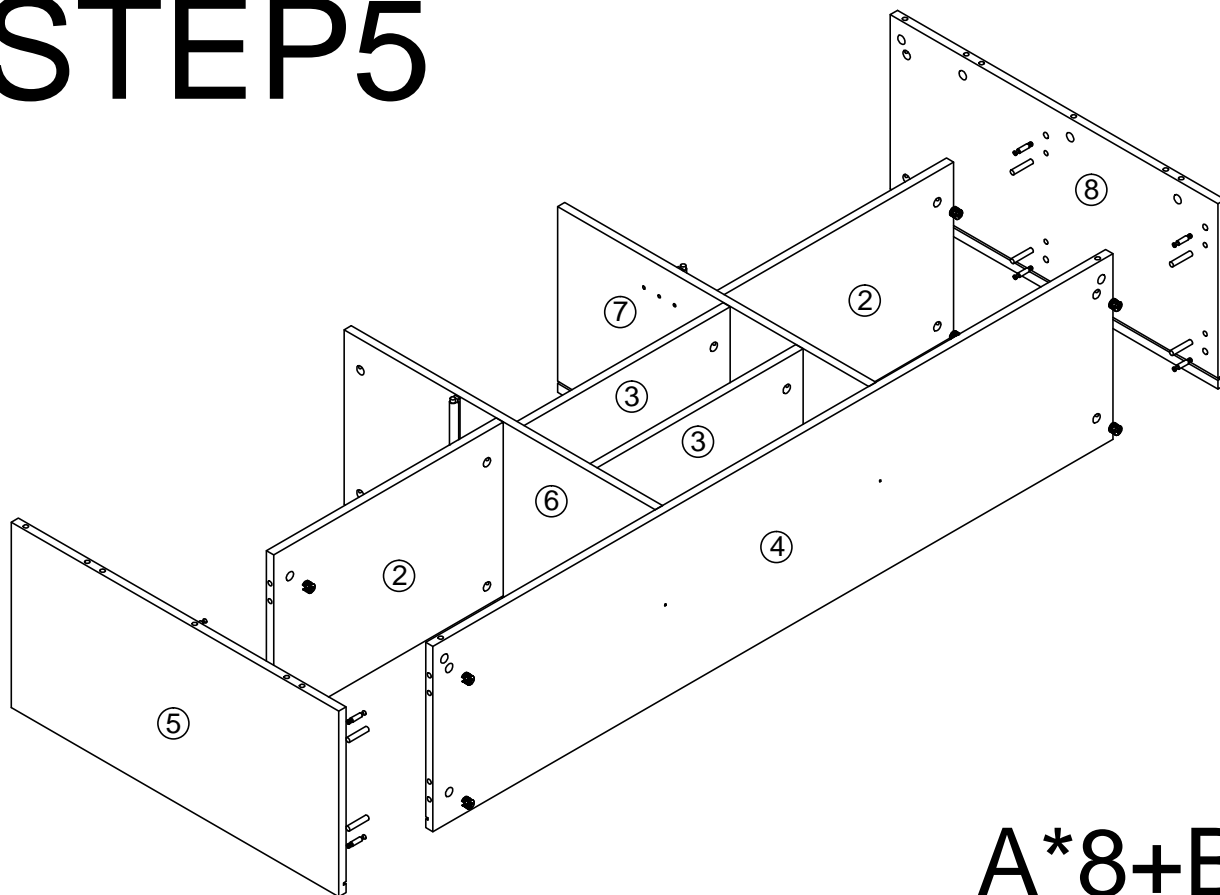
$A*4+B*4$

STEP 4



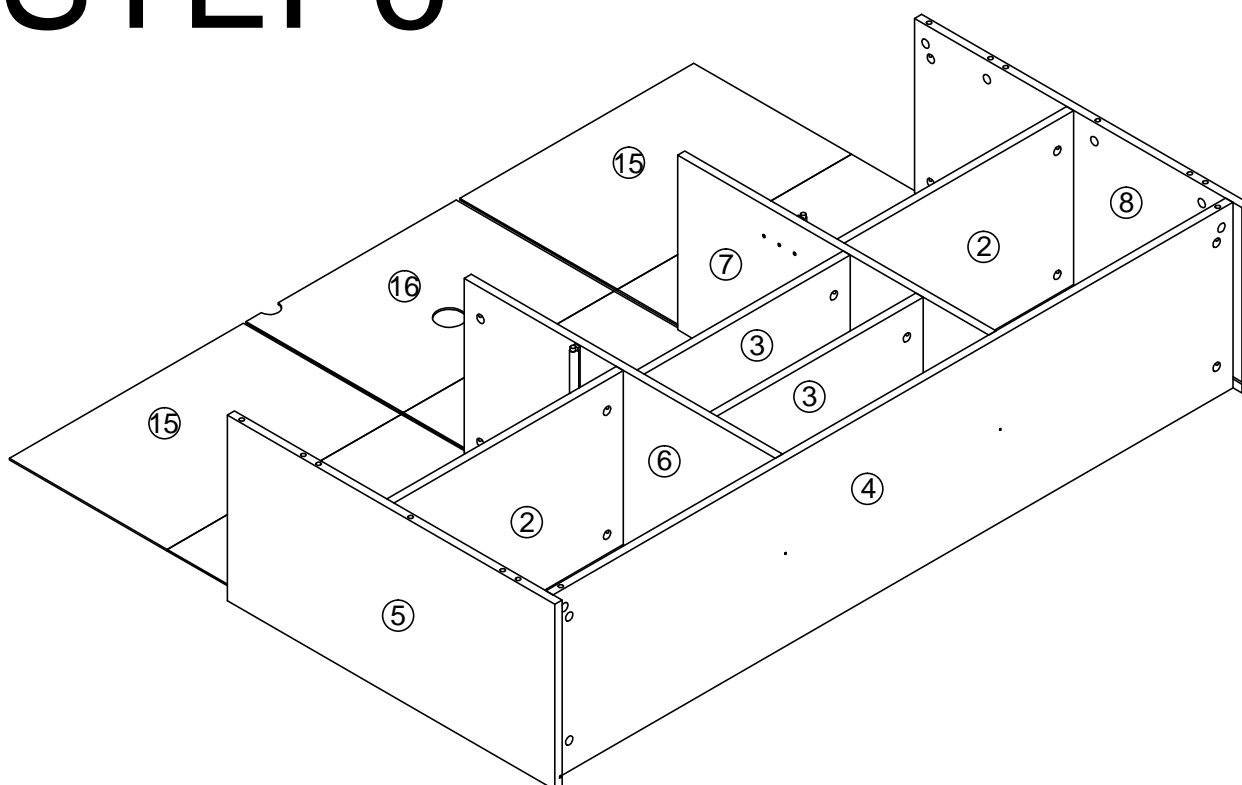
$A*4+B*4$

STEP 5

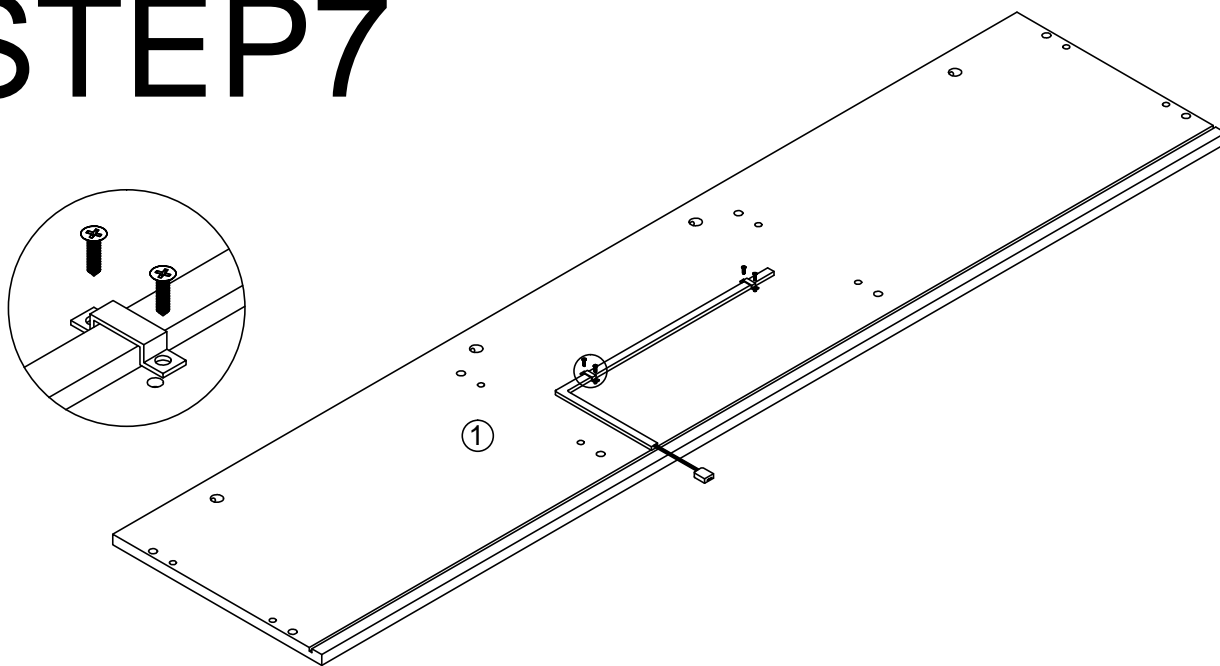


$A*8+B*8$

STEP 6

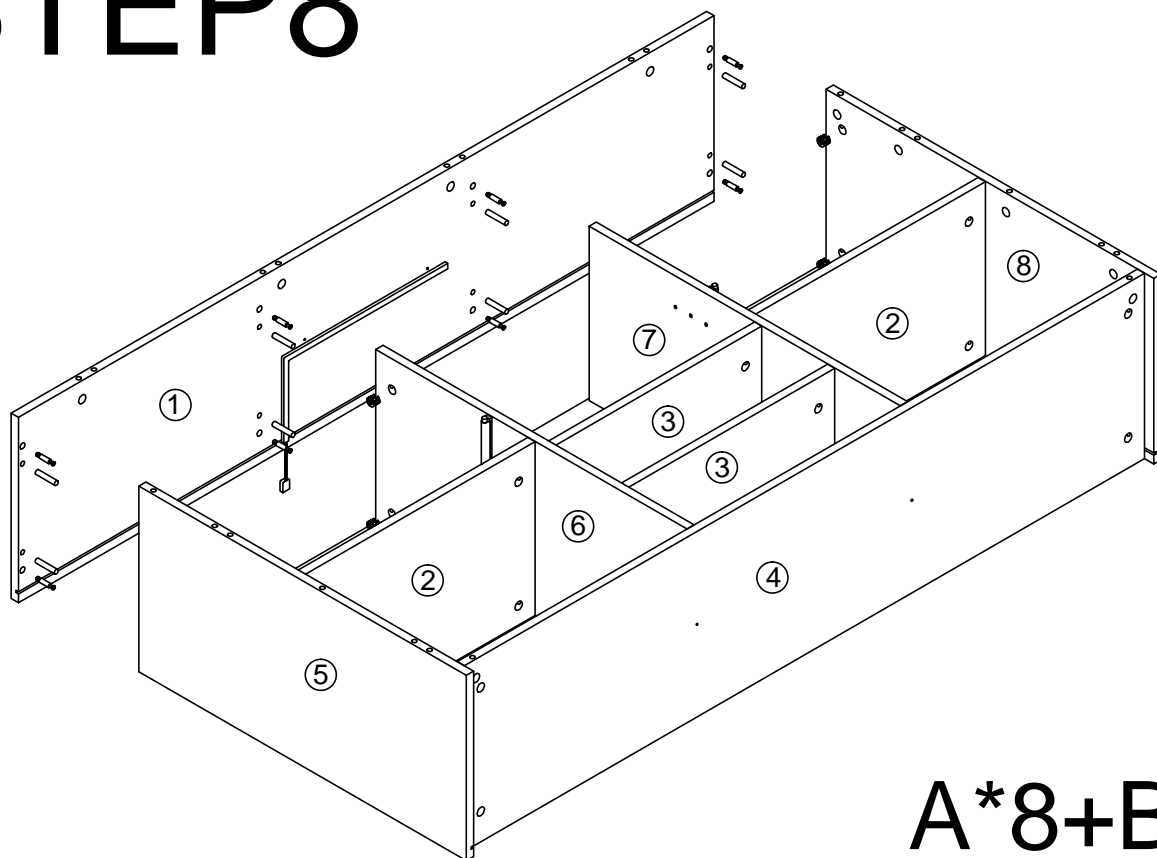


STEP 7



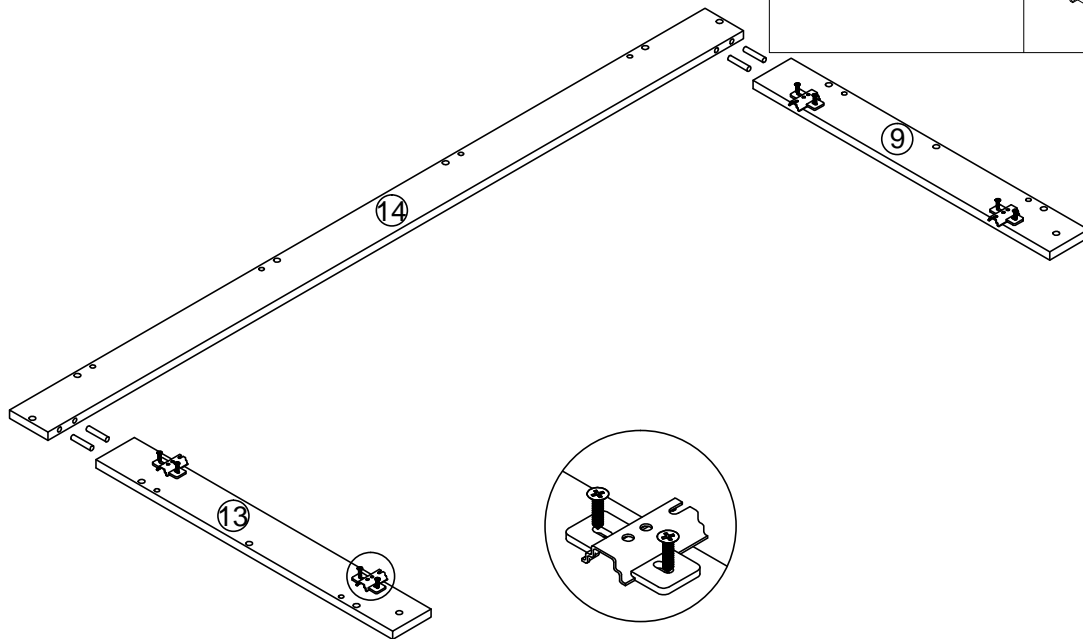
$G*2+J*4+N*1$

STEP 8



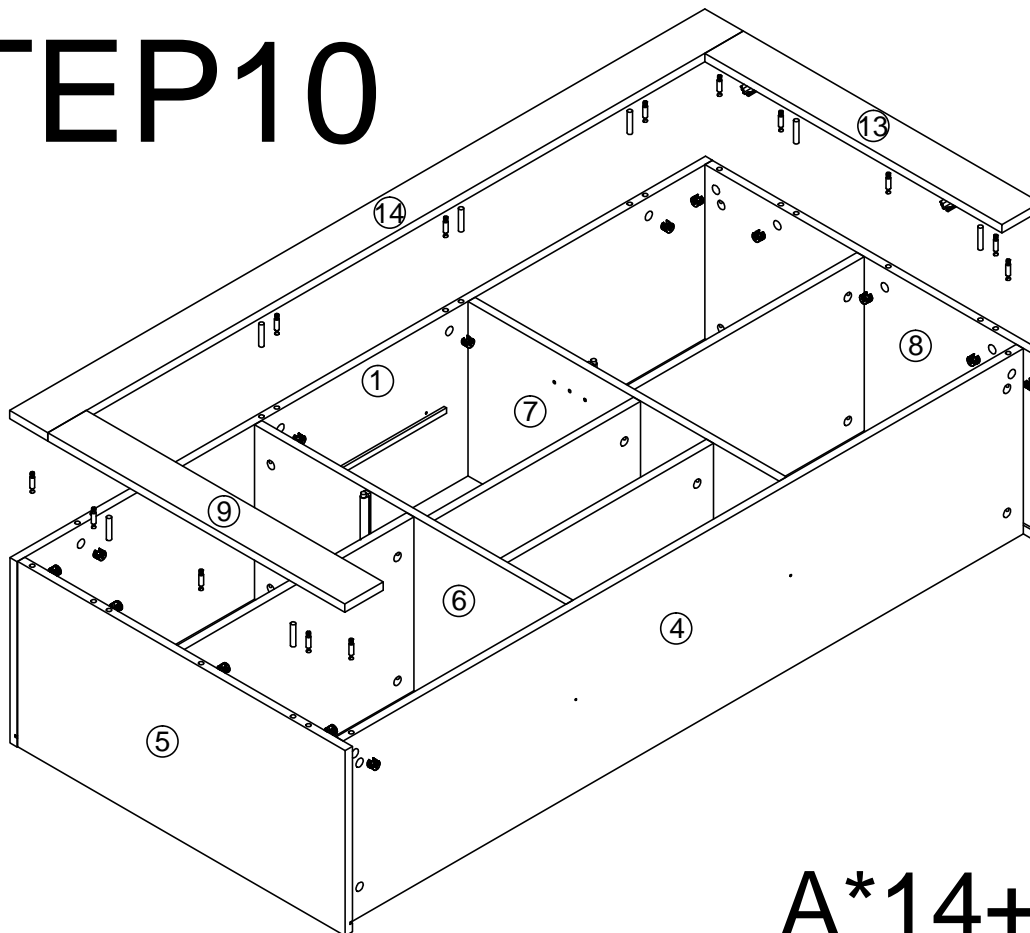
$A*8+B*8$

STEP 9



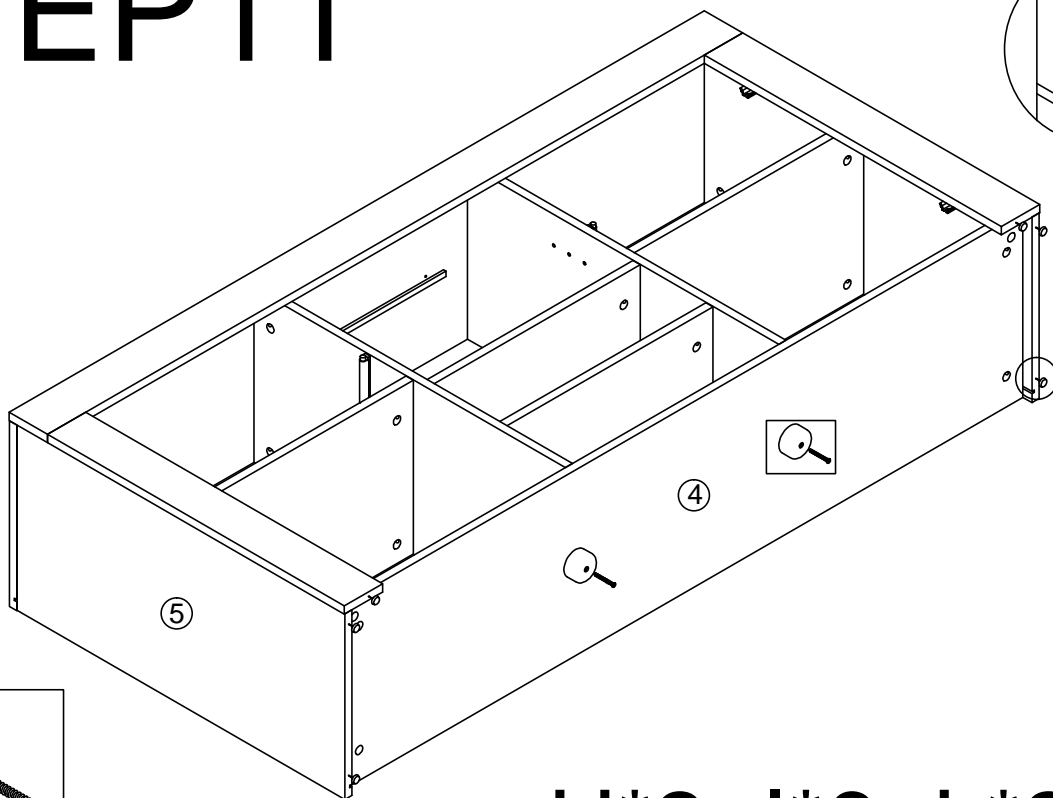
$$B*4+D1*4+K*8$$

STEP 10



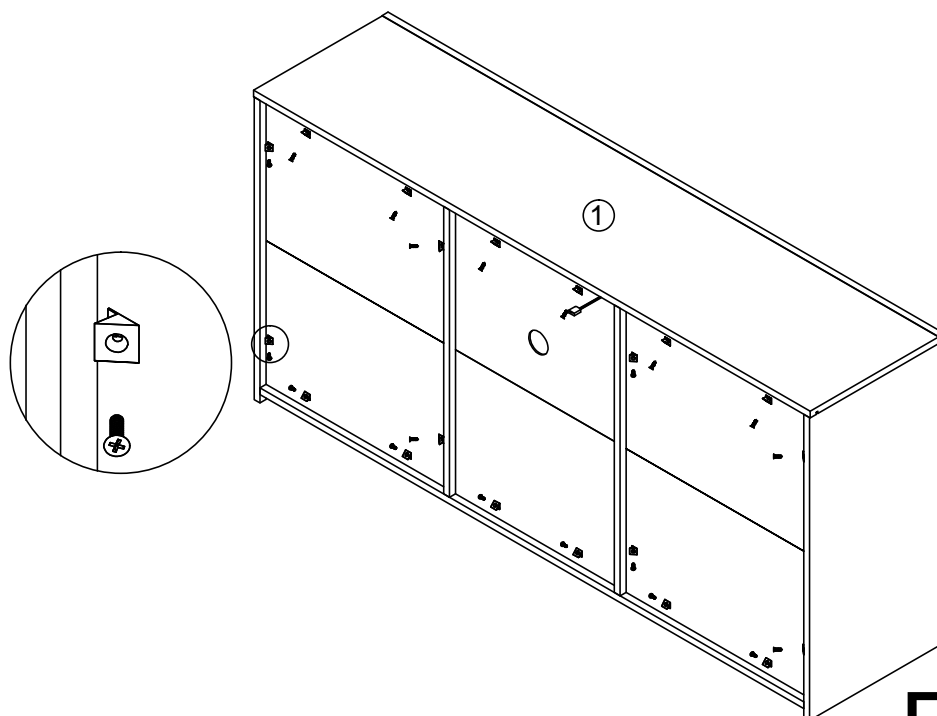
$$A*14+B*8$$

STEP 11



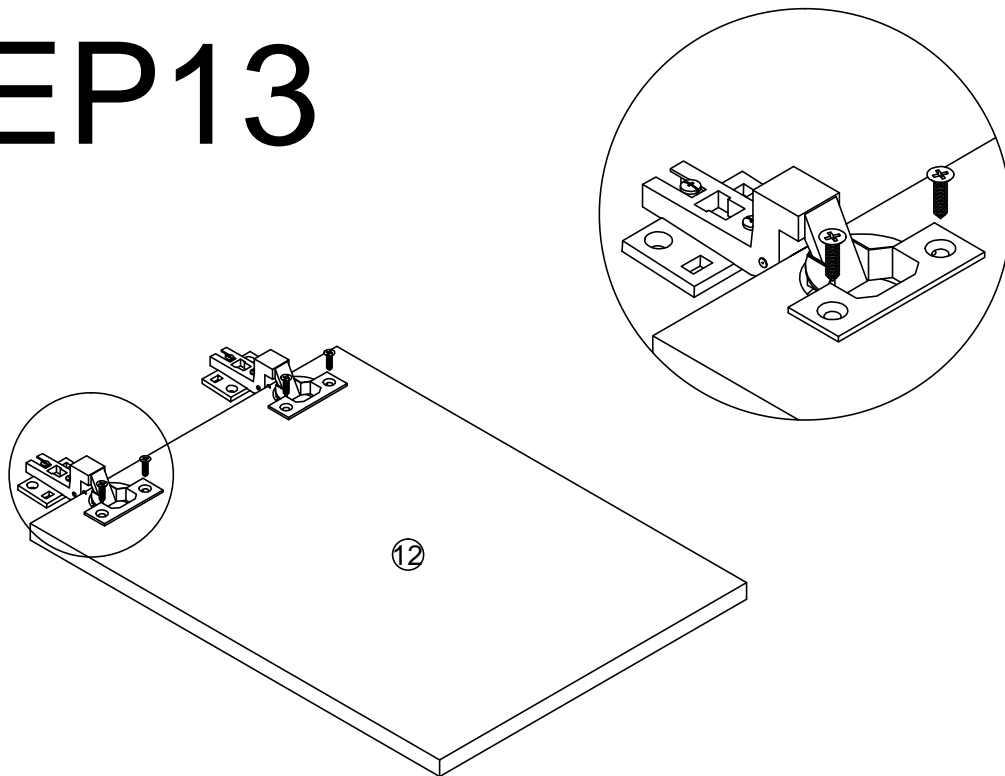
$H*2+I*6+L*2$

STEP 12



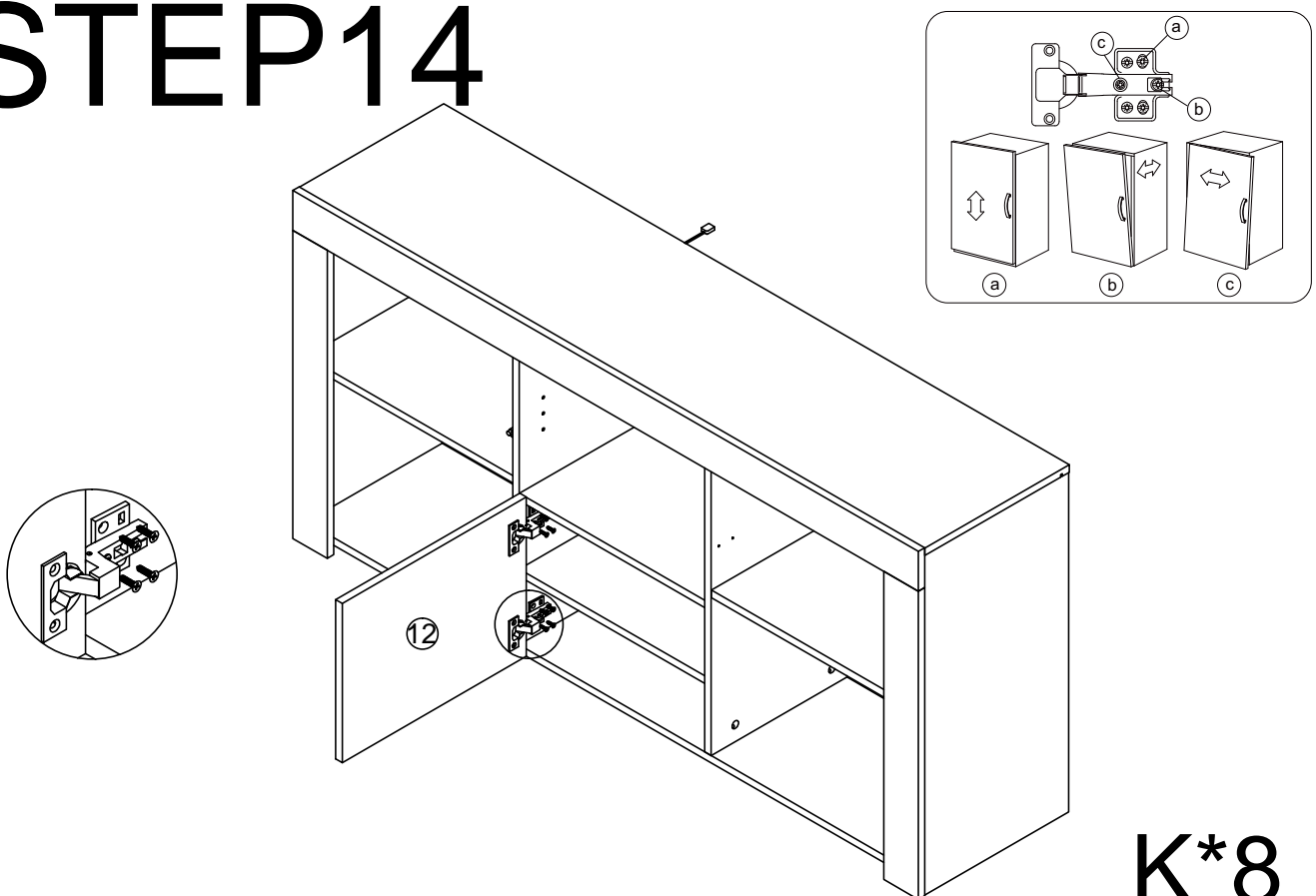
$F*20+K*20$

STEP 13



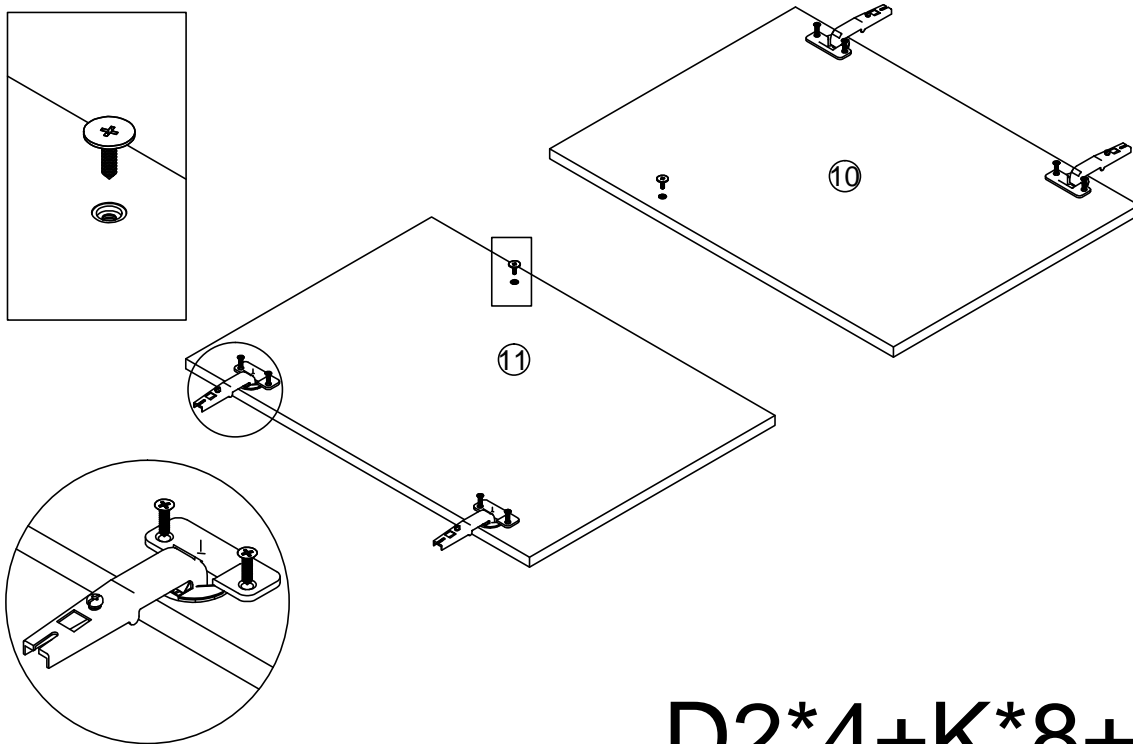
$C*2+K*4$

STEP 14



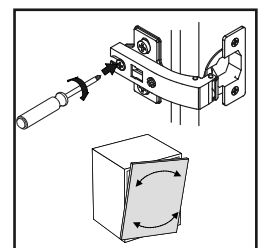
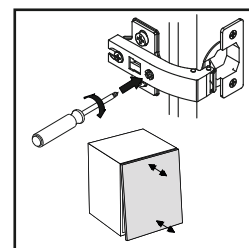
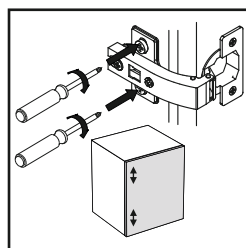
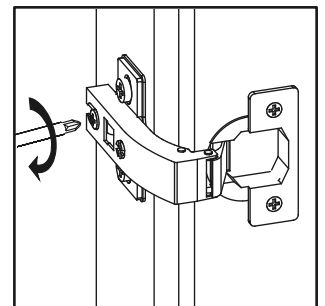
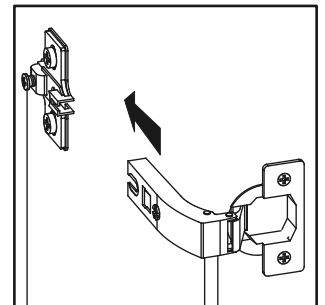
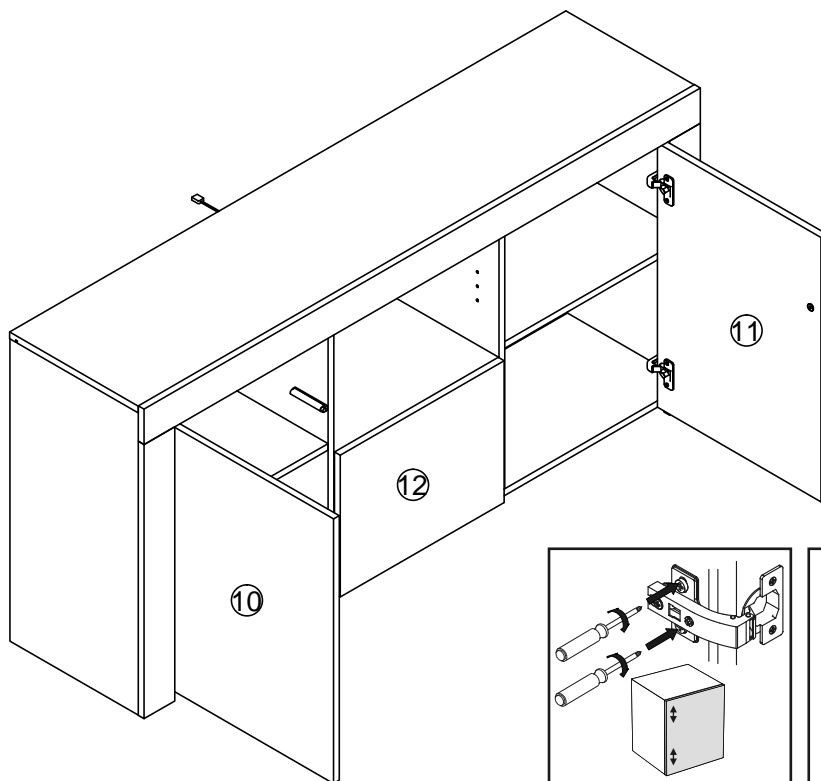
$K*8$

STEP 15

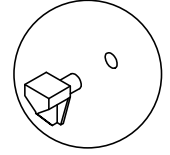
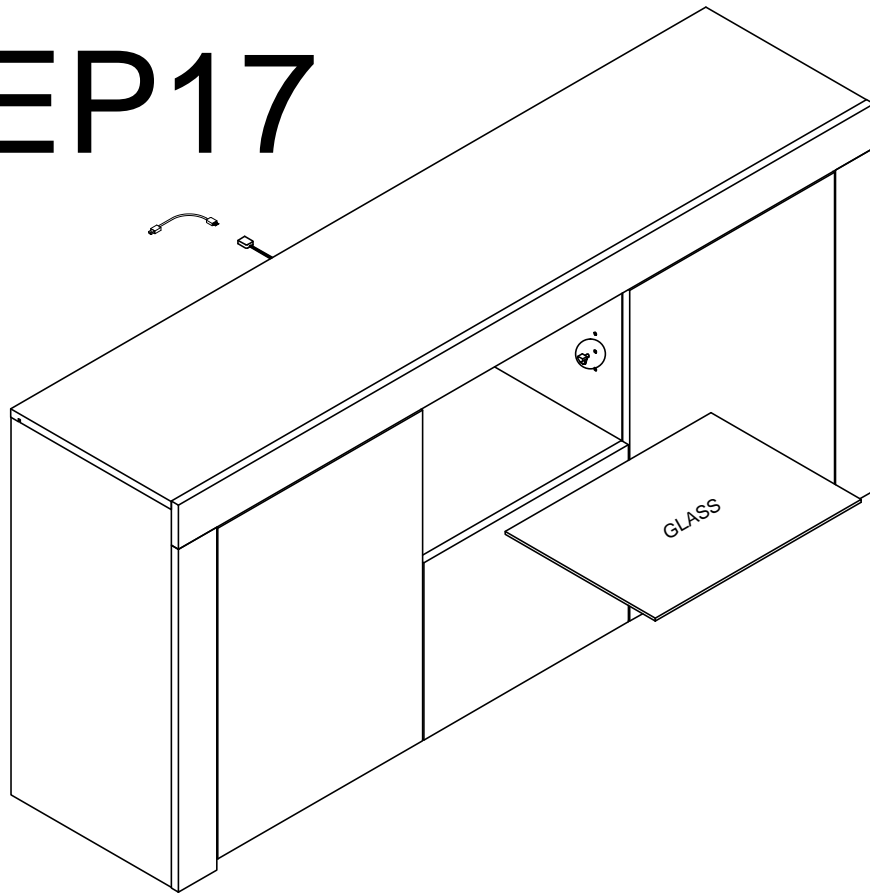


D2*4+K*8+M2*2

STEP 16

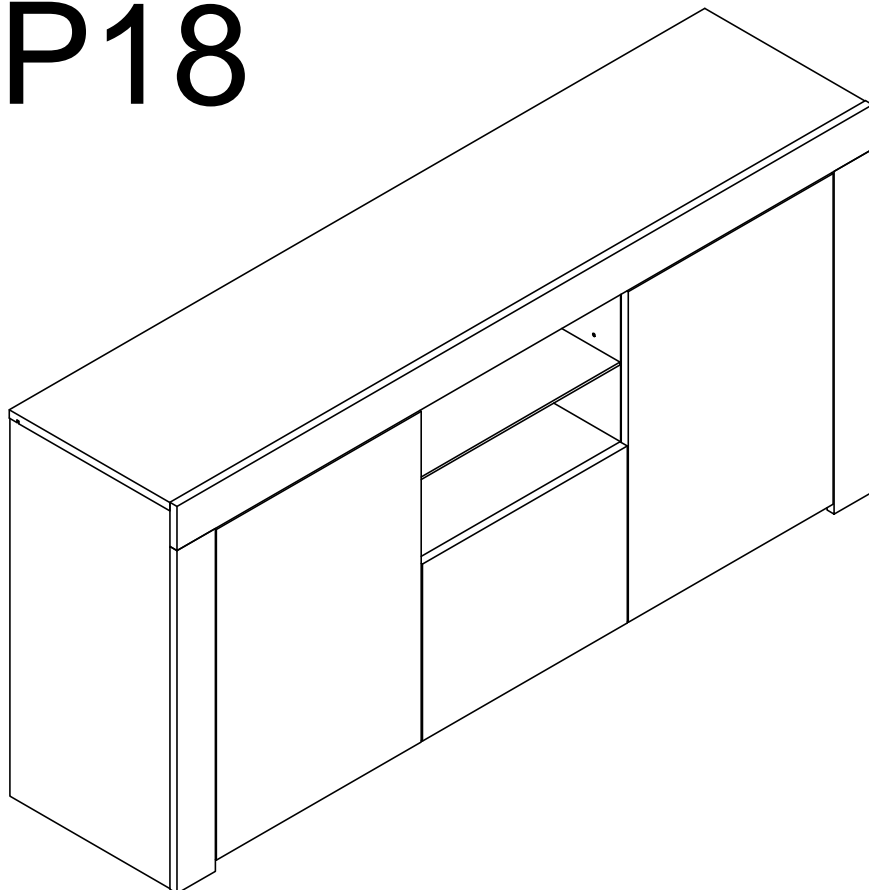


STEP 17



E*4

STEP 18



LED light

If you can't let the lights work successfully, please check the following:

1. Please check the direction of the connect, try it in the opposite direction, according to the following picture.
2. Please check the remote control, it need you to tear down the plastic septum before use it.
3. Don't let the remote control too far from the receiver, make sure there is no obstruction between them.

