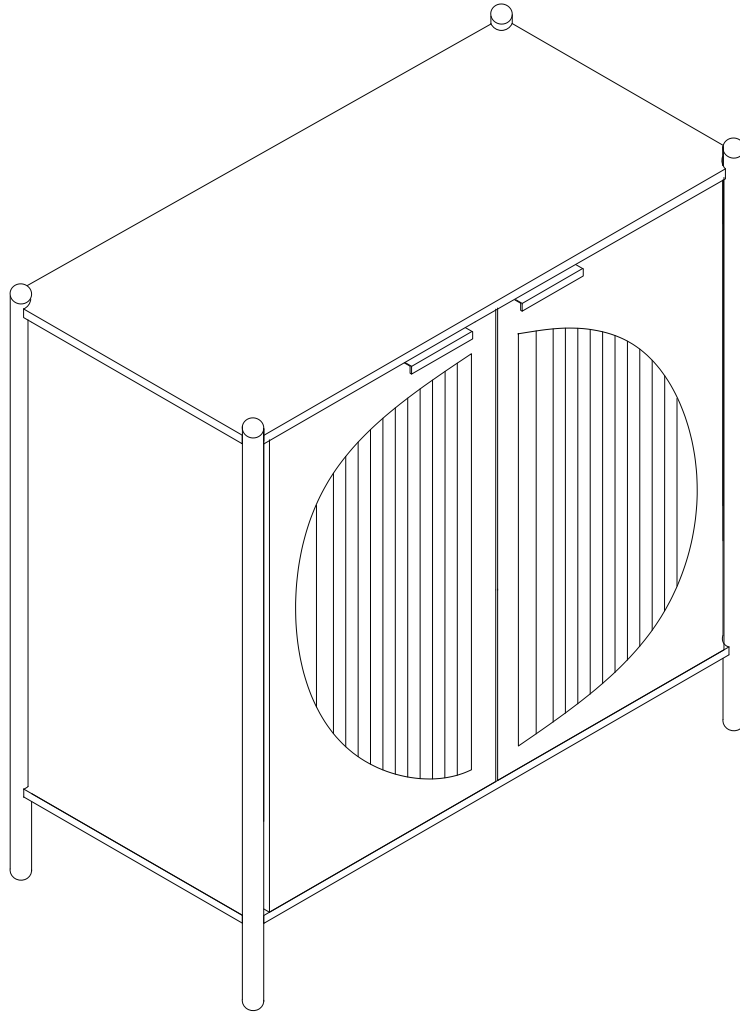


Installation Instruction



Product name

2 Door Cabinet

Ver.1.0 20220512

Assembling

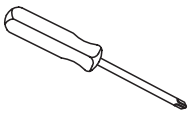
Estimated time for assembly



30:00

What you need

- Use the packaging carton as a working surface to prevent product damage during assembly
- Phillips head screwdriver



Weight Limitation



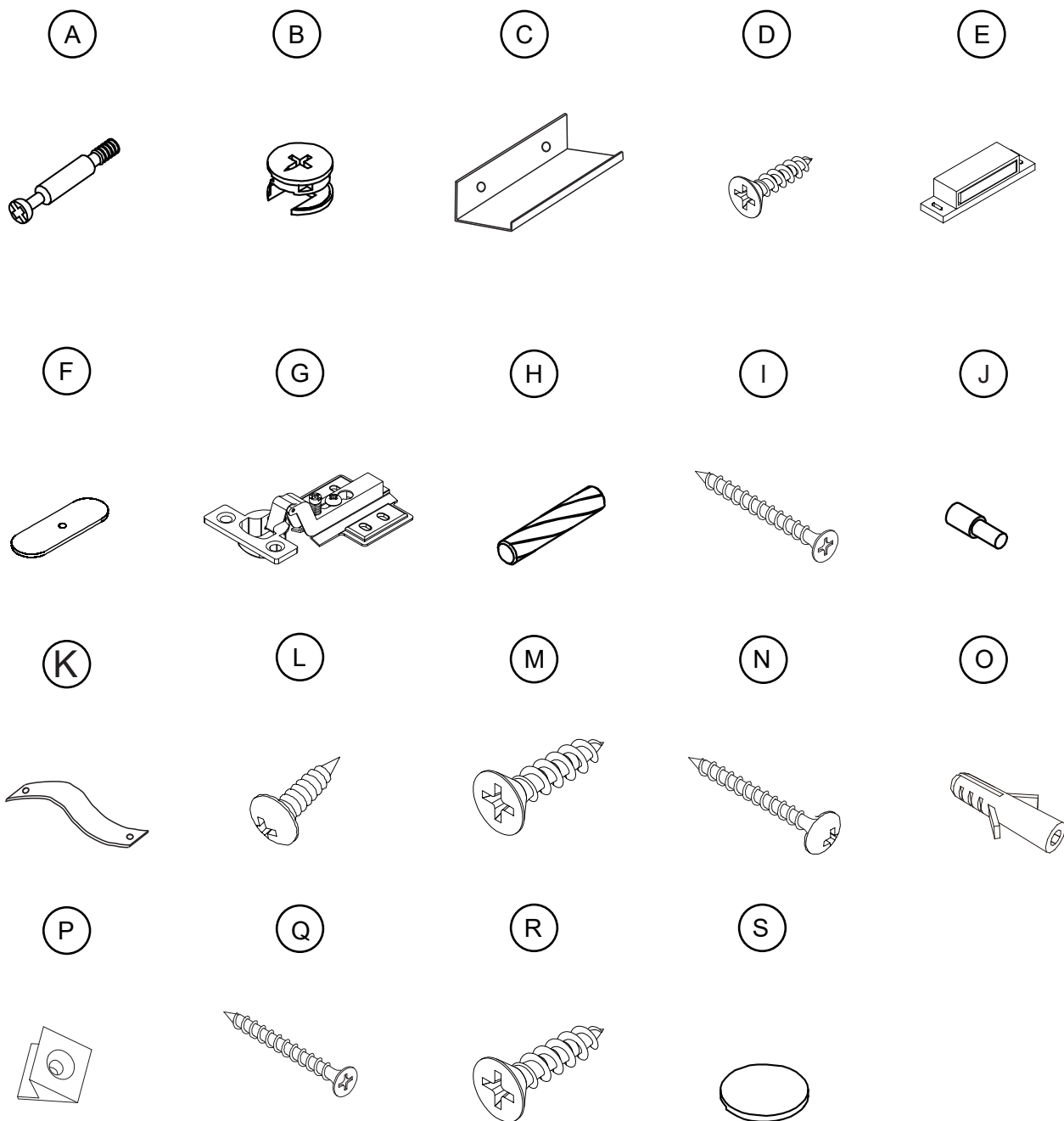
44
lbs table top

22
lbs per shelf

What's included

Code	Description	Qty
A	Cam Bolt M6x25MM	5
B	Cam Lock M15x9MM	5
C	Handle	2
D	Screw M3x14MM	16
E	Magnetic Door Cateher	2
F	Metal Plate	4
G	Hinge	4
H	Wooden Dowel M6x30MM	10
I	Screw M4x40MM	3
J	Metal Support	4
K	Srtip	2
L	Screw M4x14MM	2
M	Screw M3.5x12MM	4
N	Screw M4x35MM	2
O	Anchor	2
P	Plastic Corner Support	8
Q	Screw M4x30MM	6
R	Screw M3.5x12MM	24
S	Pads	4

The Hardwares



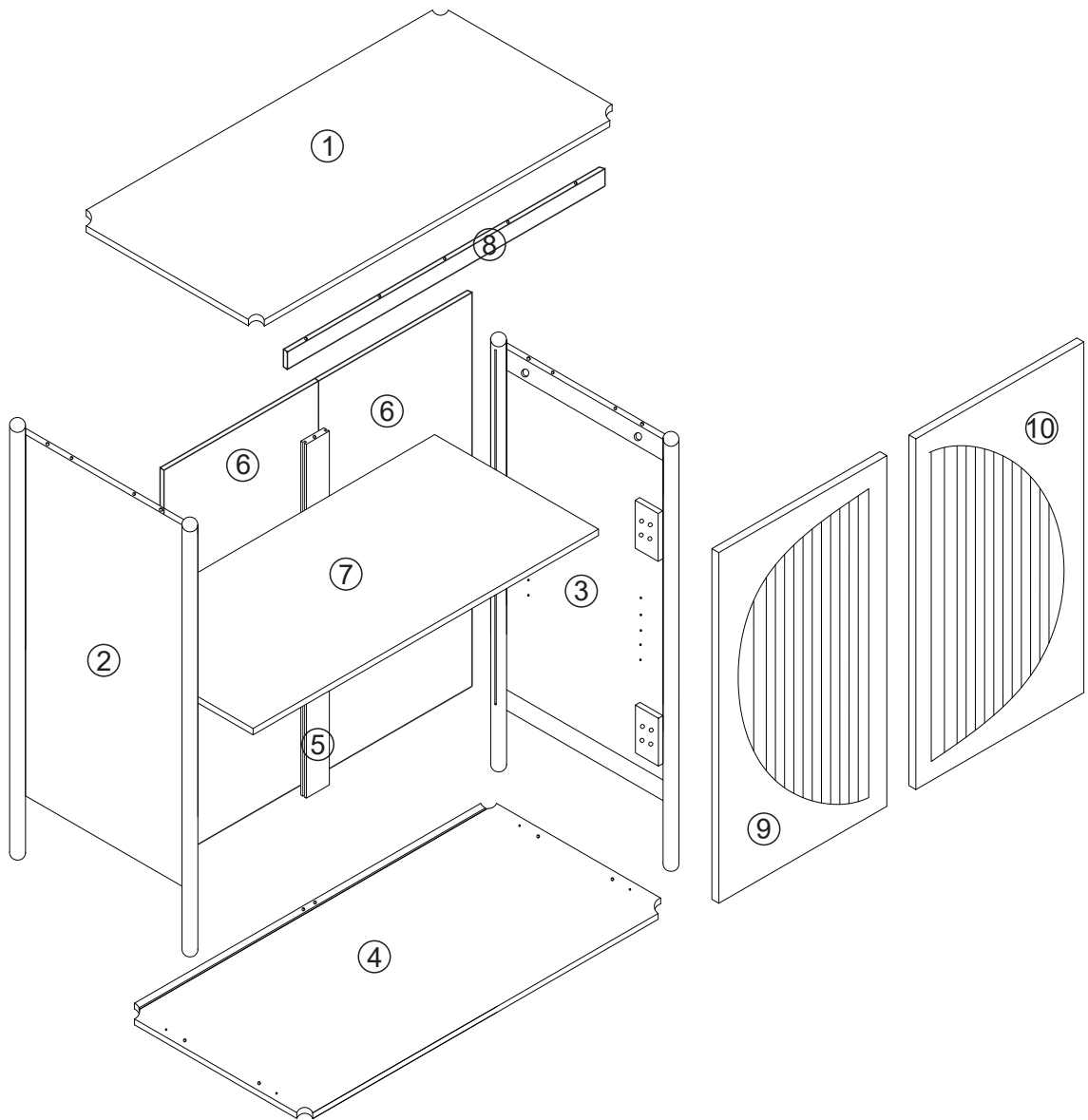
IMPORTANT:

1. Do not tighten bolts / screws completely until all bolts / screws are lined up and inserted into holes.
2. Do not over tighten screws and bolts to avoid stripping.
3. Please use hand tools to assemble this product. Do not use power tools.

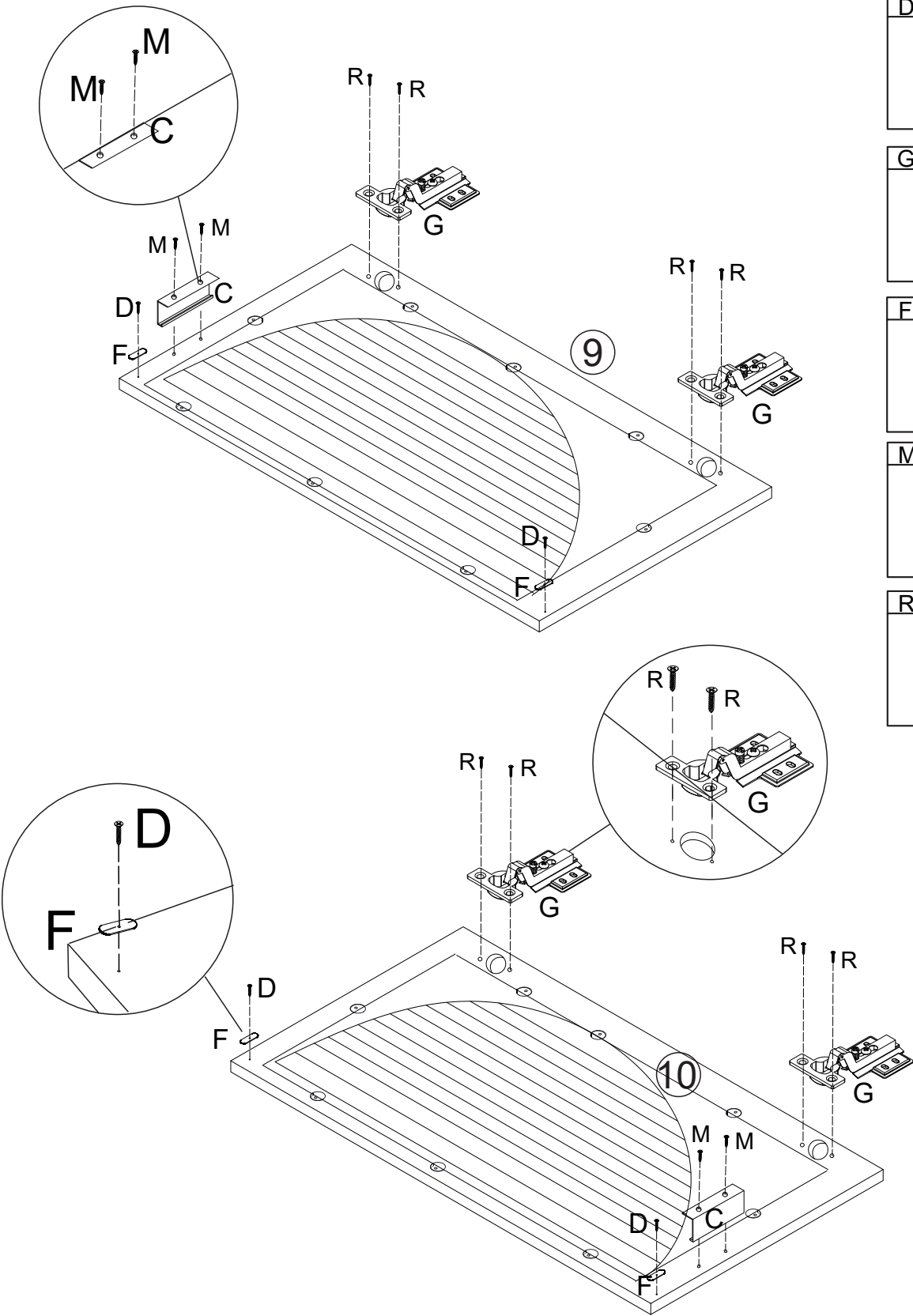
Included Accessories

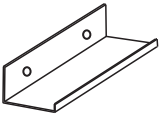
Code	Description	Qty
1	Cabinet Top	1
2	Left Side Panel	1
3	Right Side Panel	1
4	Bottom Panel	1
5	Rear Stretcher	1
6	Back Panel	2
7	Shelf	1
8	Top Stretcher	1
9	Left Door	1
10	Right Door	1

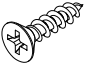
The Accessories

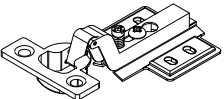


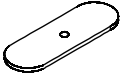
Step 2

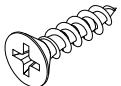


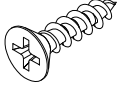
C	x2
	

D	x4
	

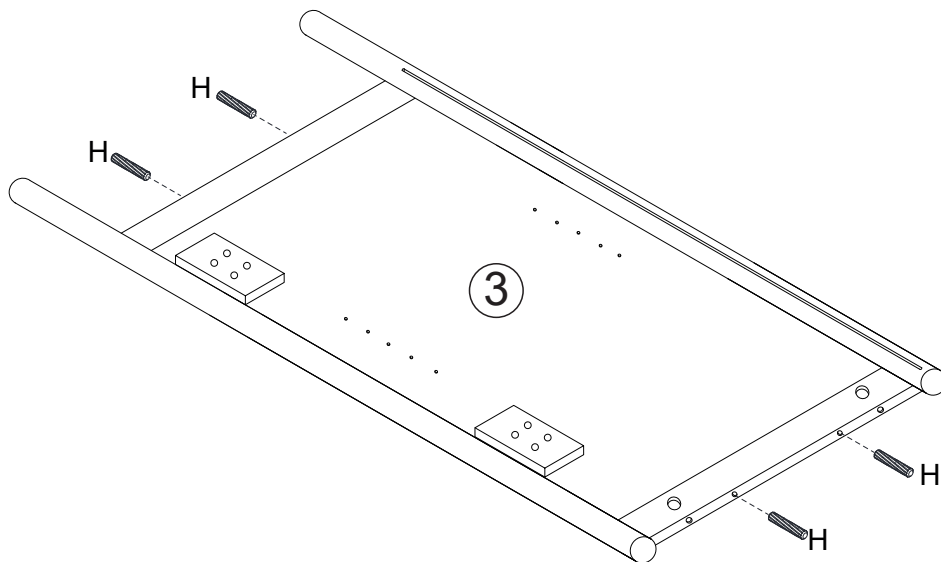
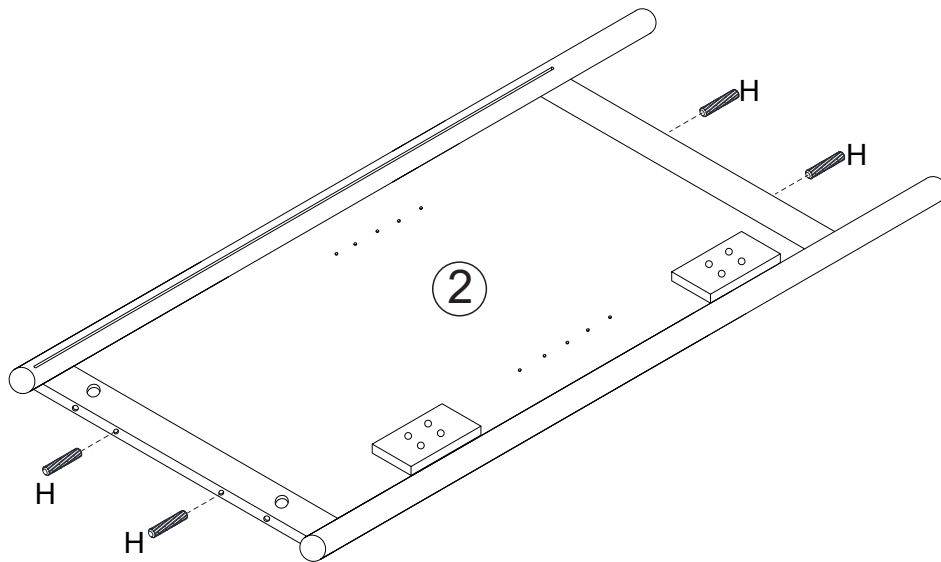
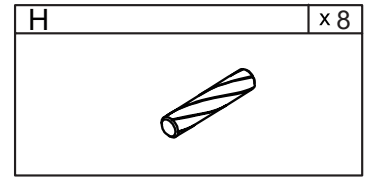
G	x4
	

F	x4
	

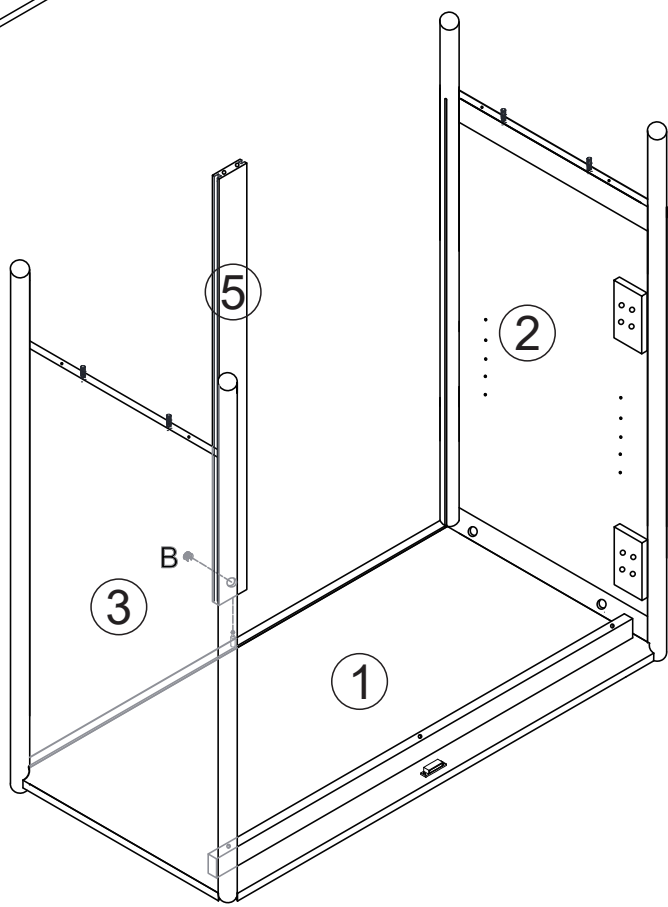
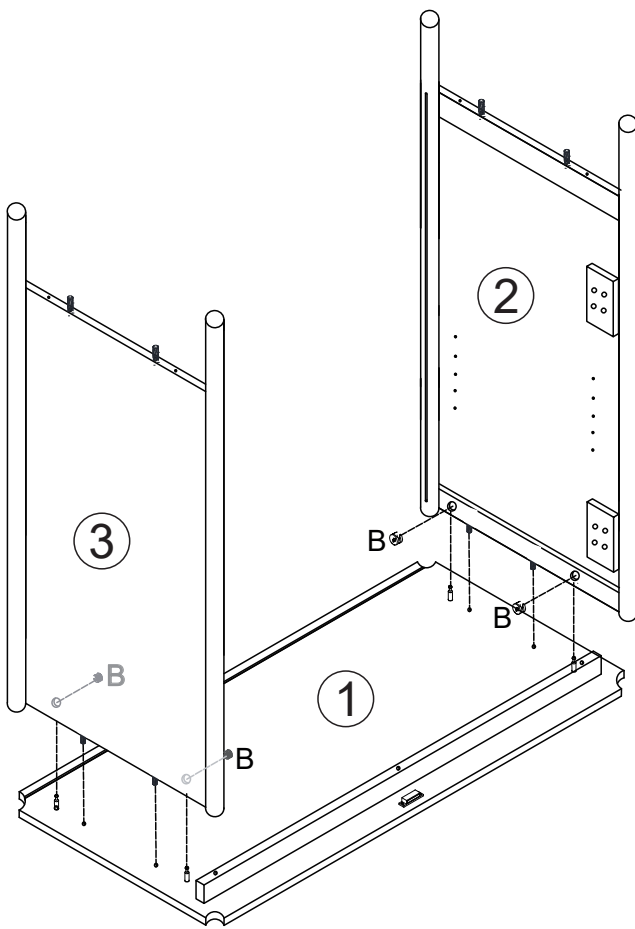
M	x4
	

R	x8
	

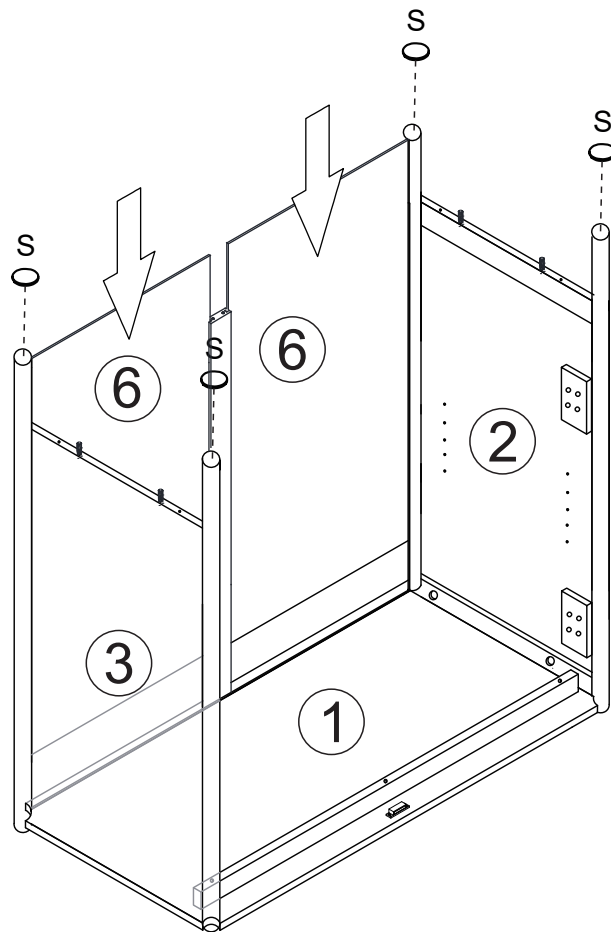
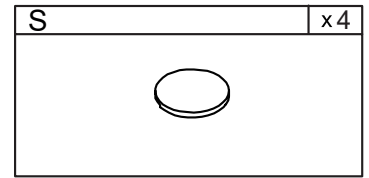
Step 3



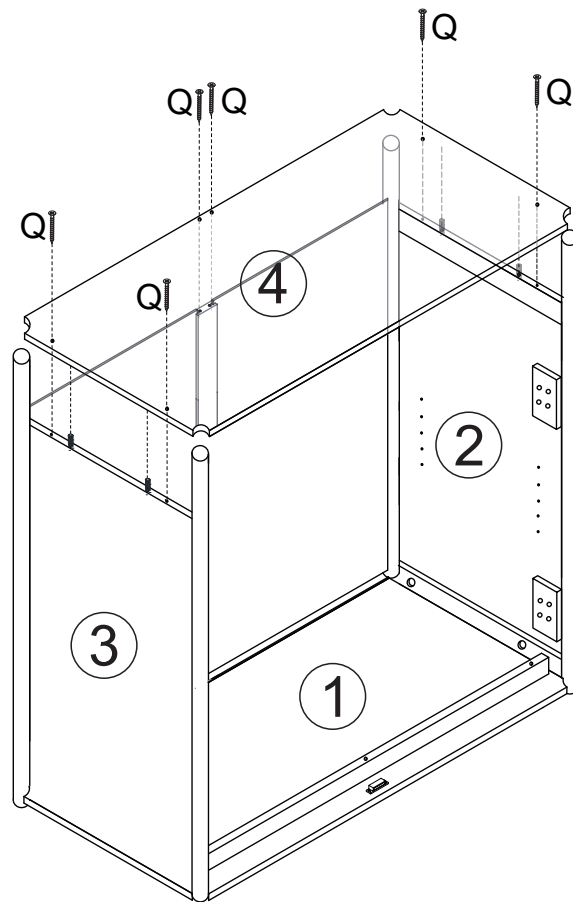
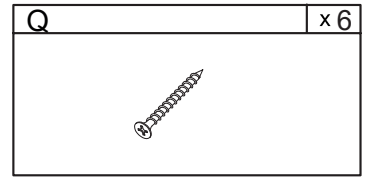
Step 4



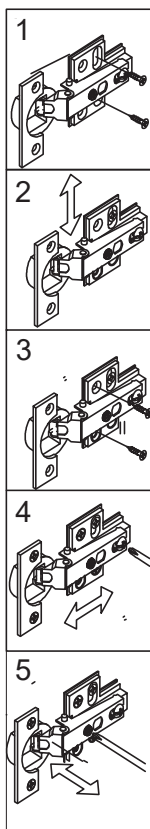
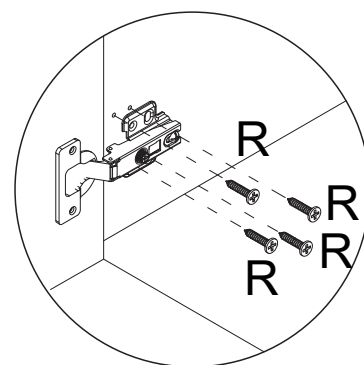
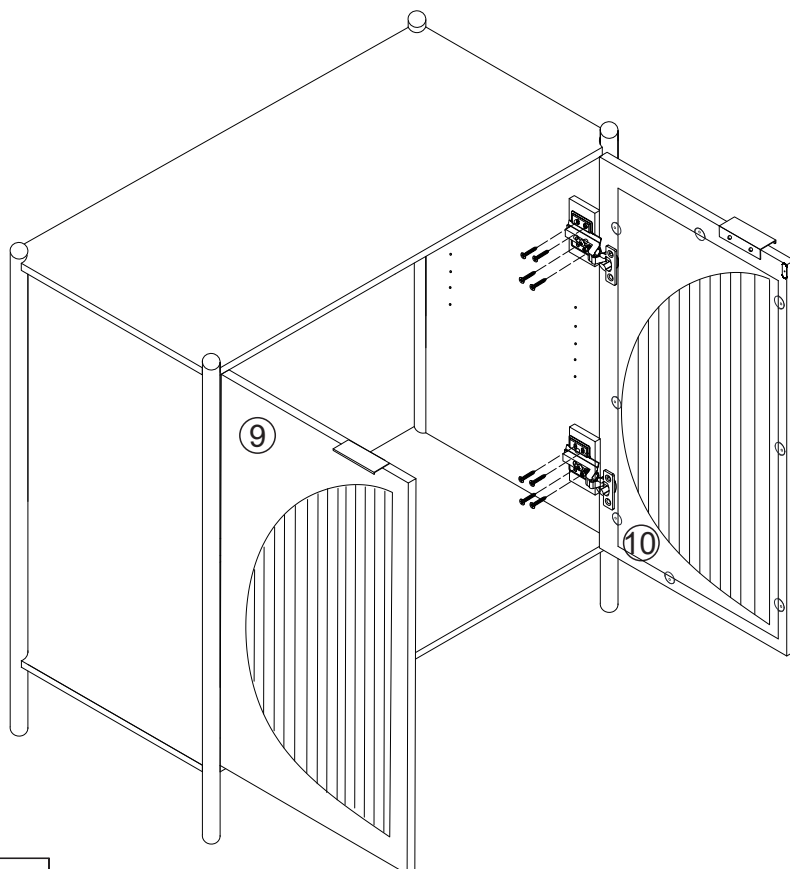
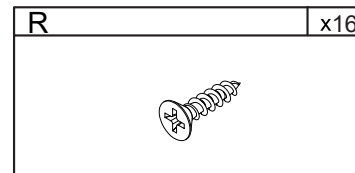
Step 5



Step 6

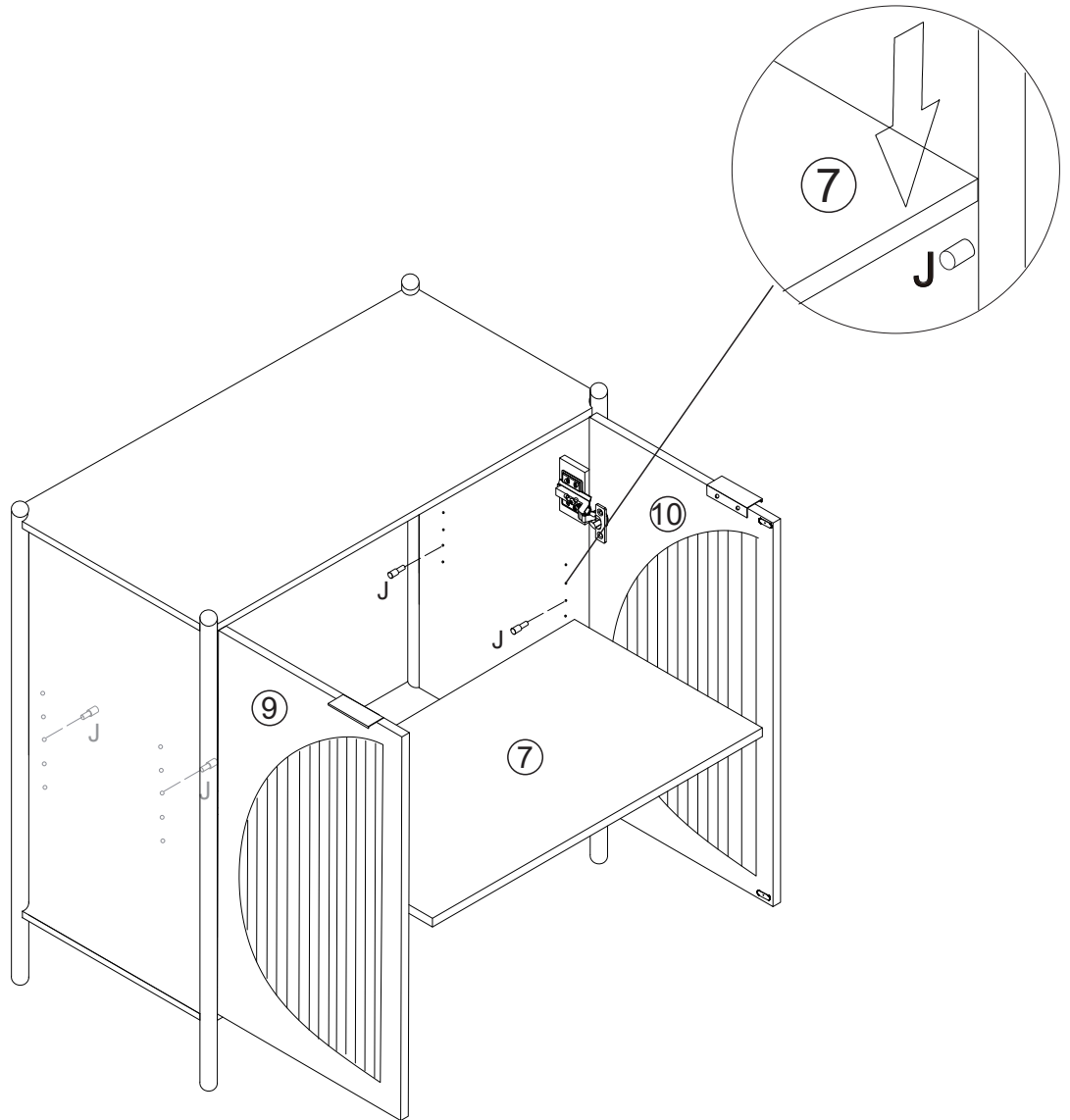
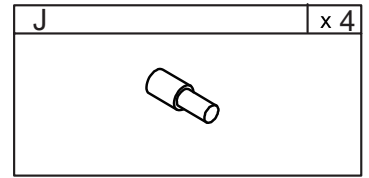


Step 7

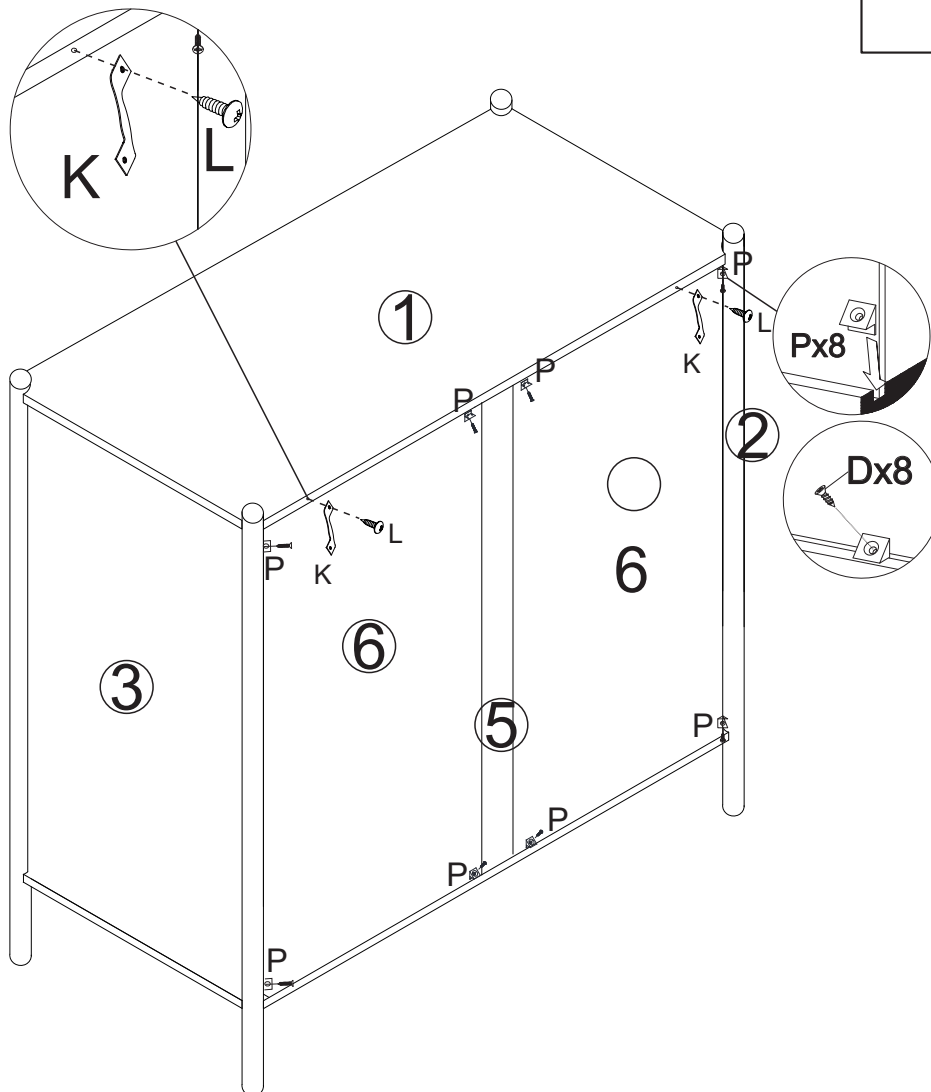
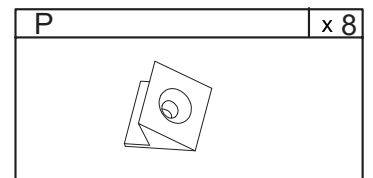
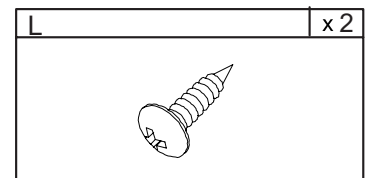
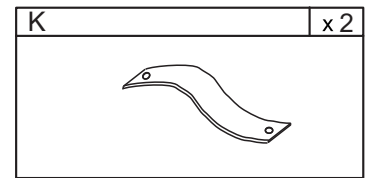
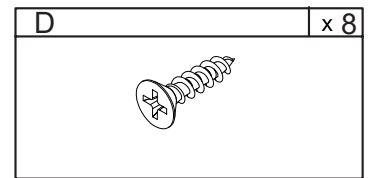


- 2: Don't tighten each screw at the beginning, check the gap between the door and the cabinet, and tighten all of them when they are all coordinate.
- 3: If you need to steady this chain hinge, you can drill the two circular holes by yourself

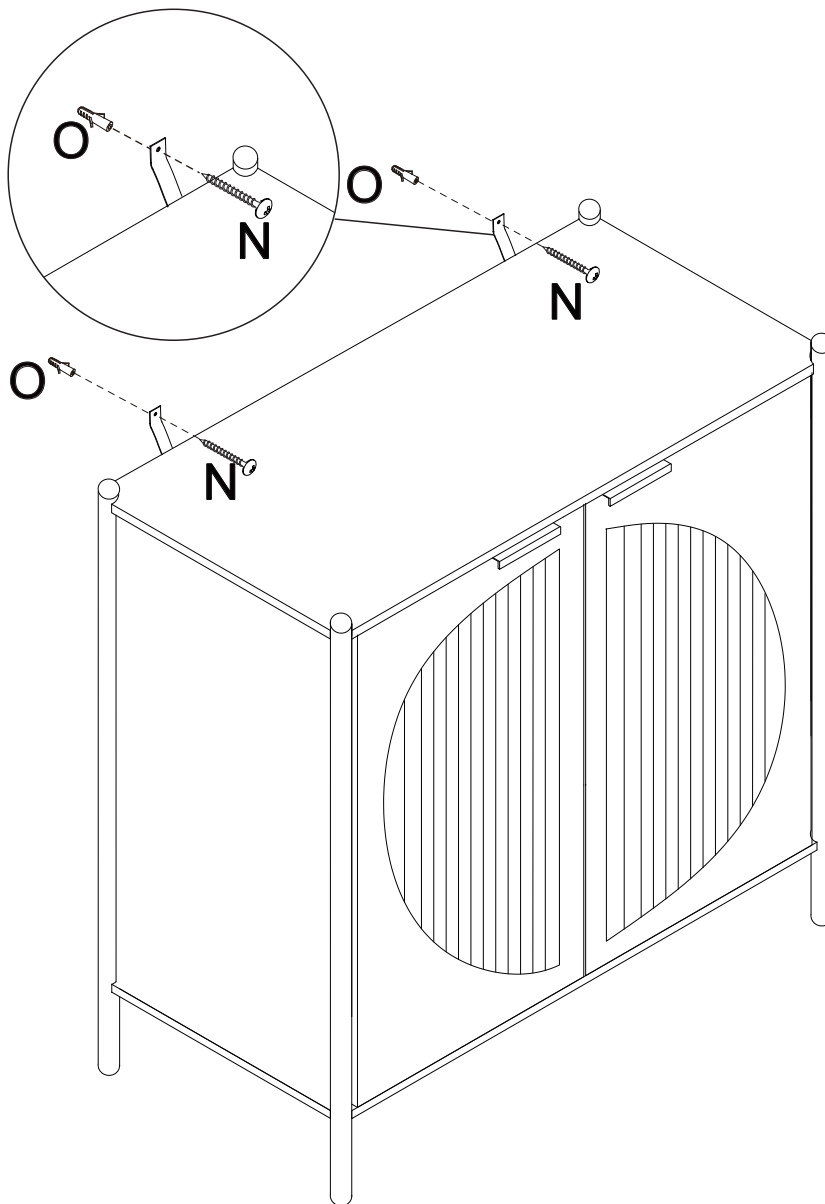
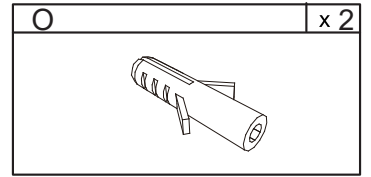
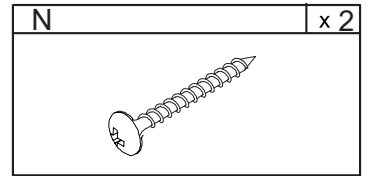
Step 8



Step 9



Step 10



Proper Use

- DO NOT use for commercial purposes
- DO NOT use as a step stool or stand on table
- DO NOT put hot serving liquid directly on the table top
- DO NOT leave spilled liquid on the table top
- DO NOT use table if damaged
- DO NOT exceed weight limit
- DO NOT make temporary repairs
- DO NOT use outdoor