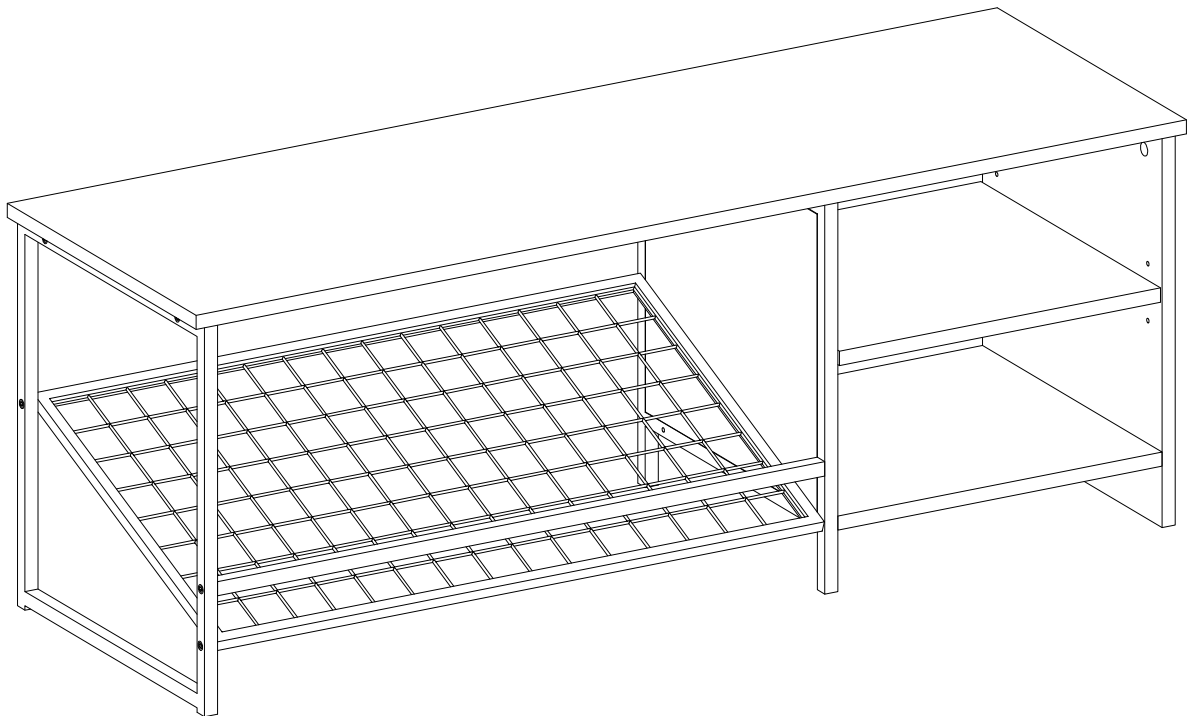
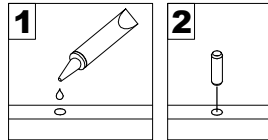


# Assembly Instructions

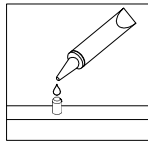


# General Assembly Guidelines

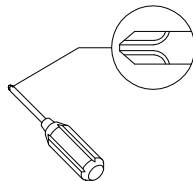
- I. Ensure that all parts and hardware are available before beginning assembly.
- II. Follow each step carefully to ensure the proper assembly of this product.
- III. Two people are recommended for ease in the assembly of this product.
- IV. The three main types of hardware used to assemble this product are: wood dowels, screws and bolts.
- V. The provided glue is to secure wood dowels in place. When first inserting dowels, locate the appropriate hole for the dowel, place a small amount of glue in the hole and insert the dowel. Wipe away excess glue immediately.



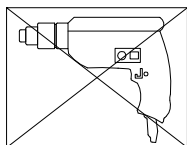
In future assembly steps when dowels are necessary to attach assembly parts together, place a small amount of glue on the end of the dowel before attaching parts together. Wipe away excess glue immediately.



- VI. A Phillips head screwdriver is required for the assembly of this product.

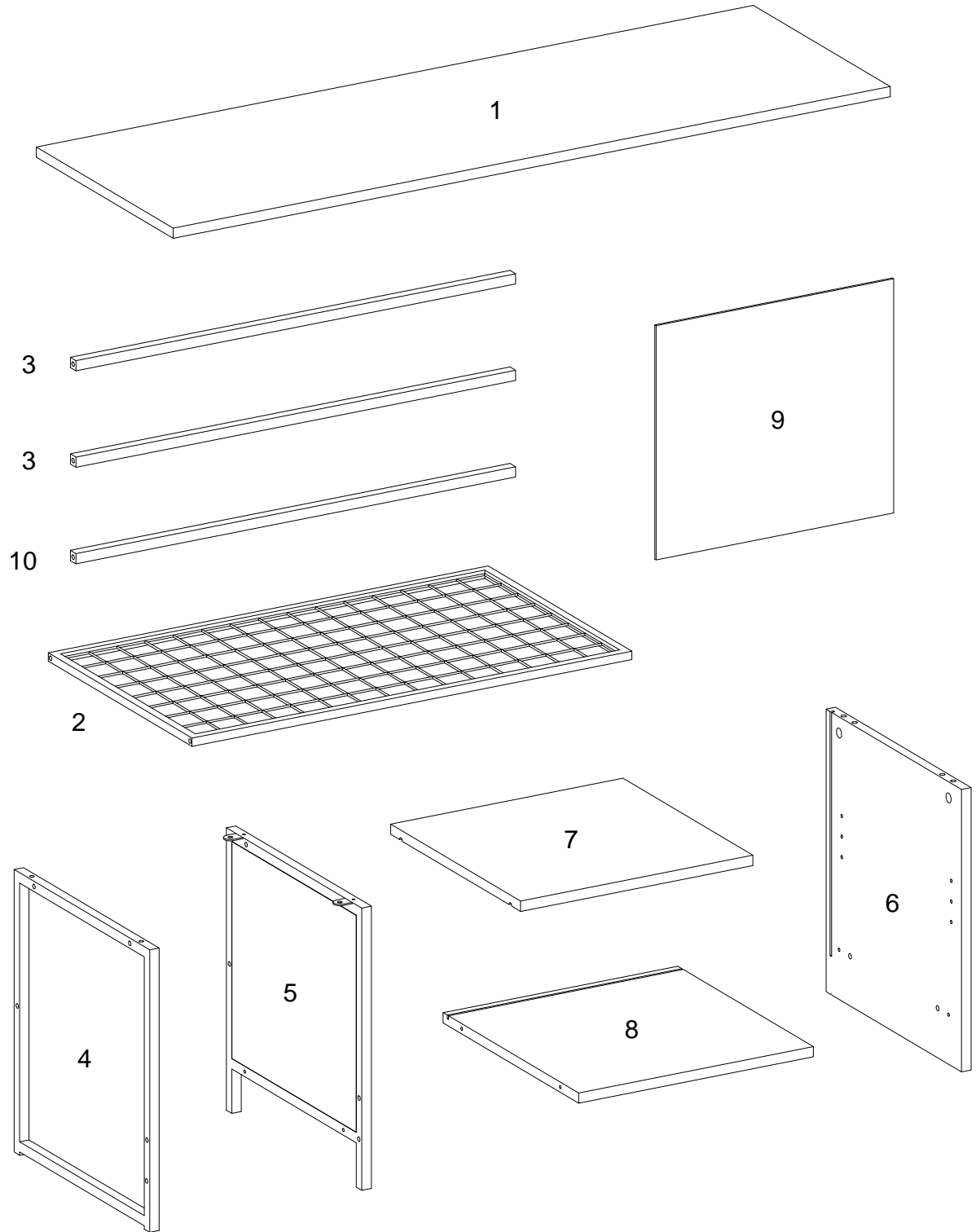


- VII. Power tools should not be used to assemble this product.






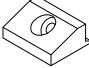
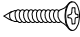



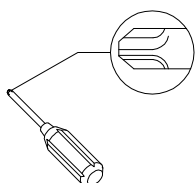
- VIII. Drill may be needed for securing product to wall.

# Parts List



# Hardware List

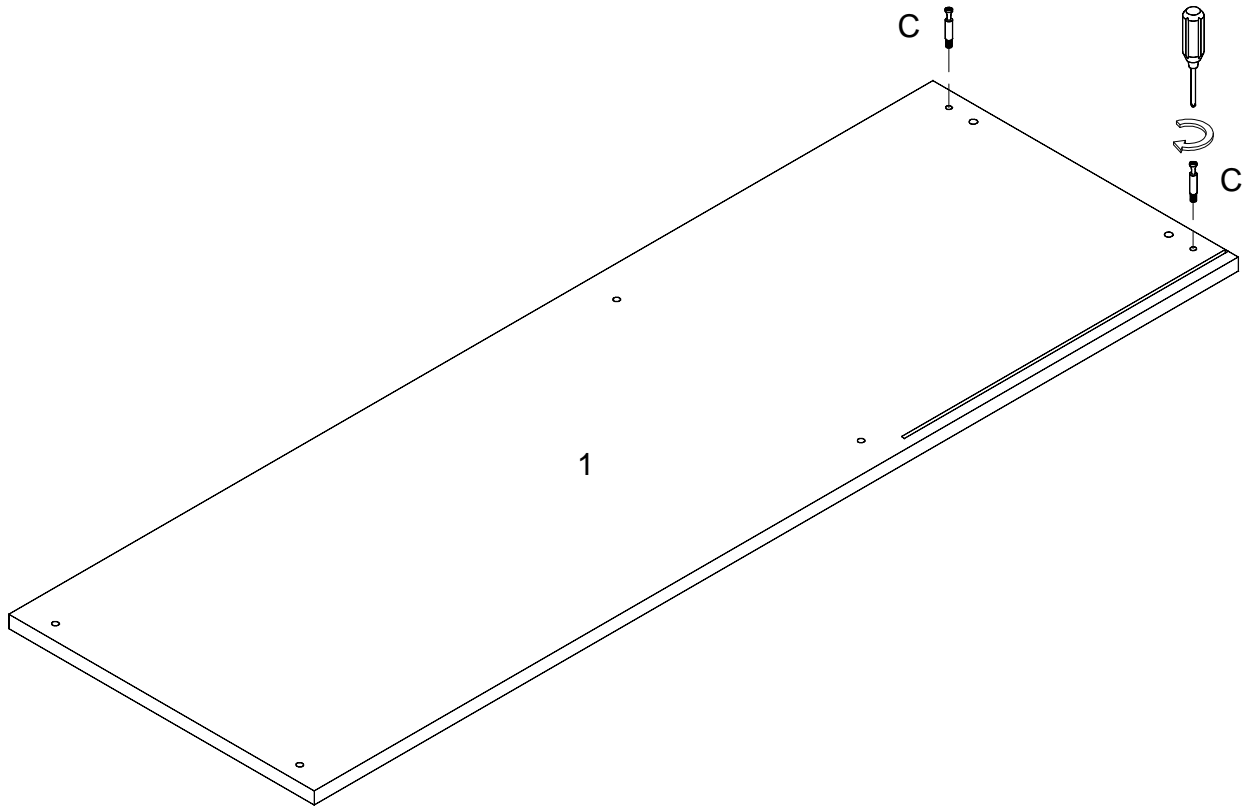
A		Ø8x30mm	Wooden dowel	4 pcs
B		Ø15x11mm	Cam lock	4 pcs
C		Ø6x35mm	Cam bolt	4 pcs
D		Ø30mm	Sticker	4 pcs
E		M 4	Hex Key	1 pc
F		Ø6x12mm	Bolt	2 pcs
G		Ø6x25mm	Bolt	12 pcs
J			Shelf support pin	4 pcs
K		Ø4x38mm	Screw	2 pcs
L			Plastic wedge	3 pcs
M		Ø3x17mm	Screw	3 pcs
N			Glue tube	1 pc



Philips head screwdriver required for assembly  
(not included)

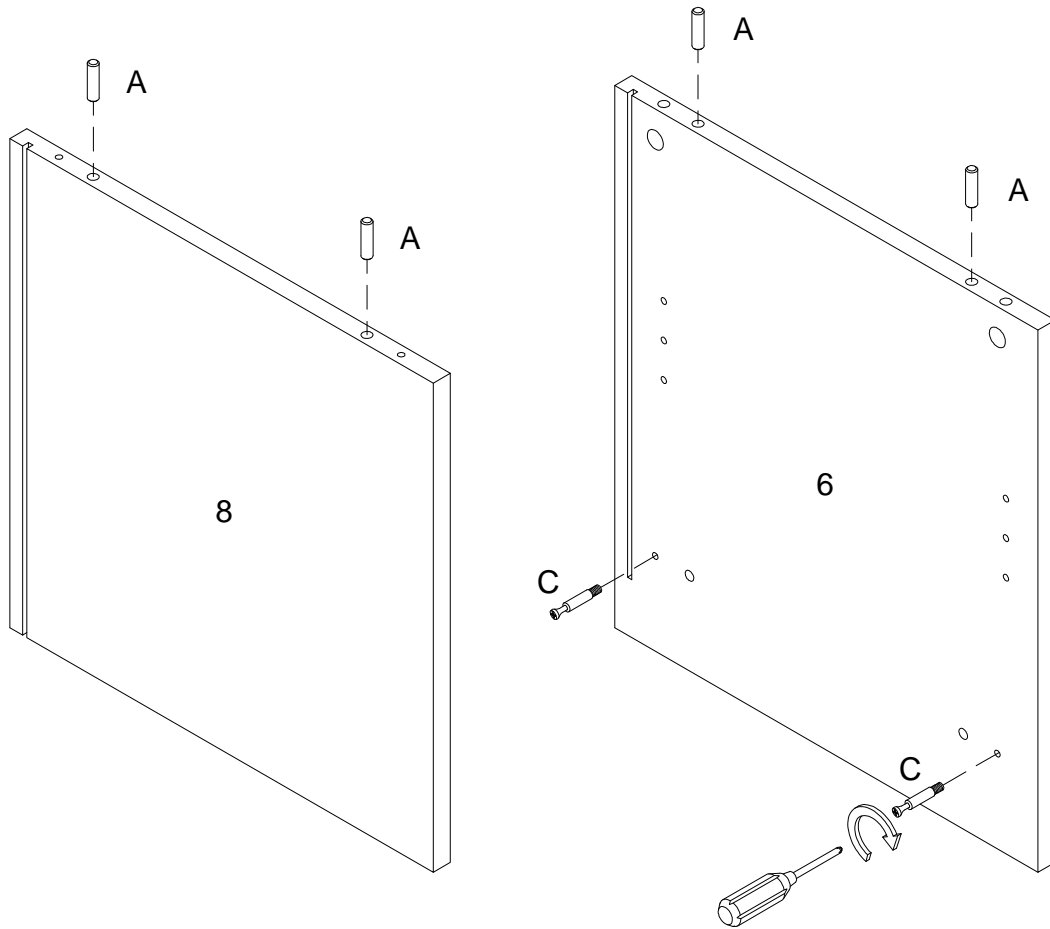
*The hardware quantities listed above are required for proper assembly.  
Some extra hardware may also have been included.*

# Step 1



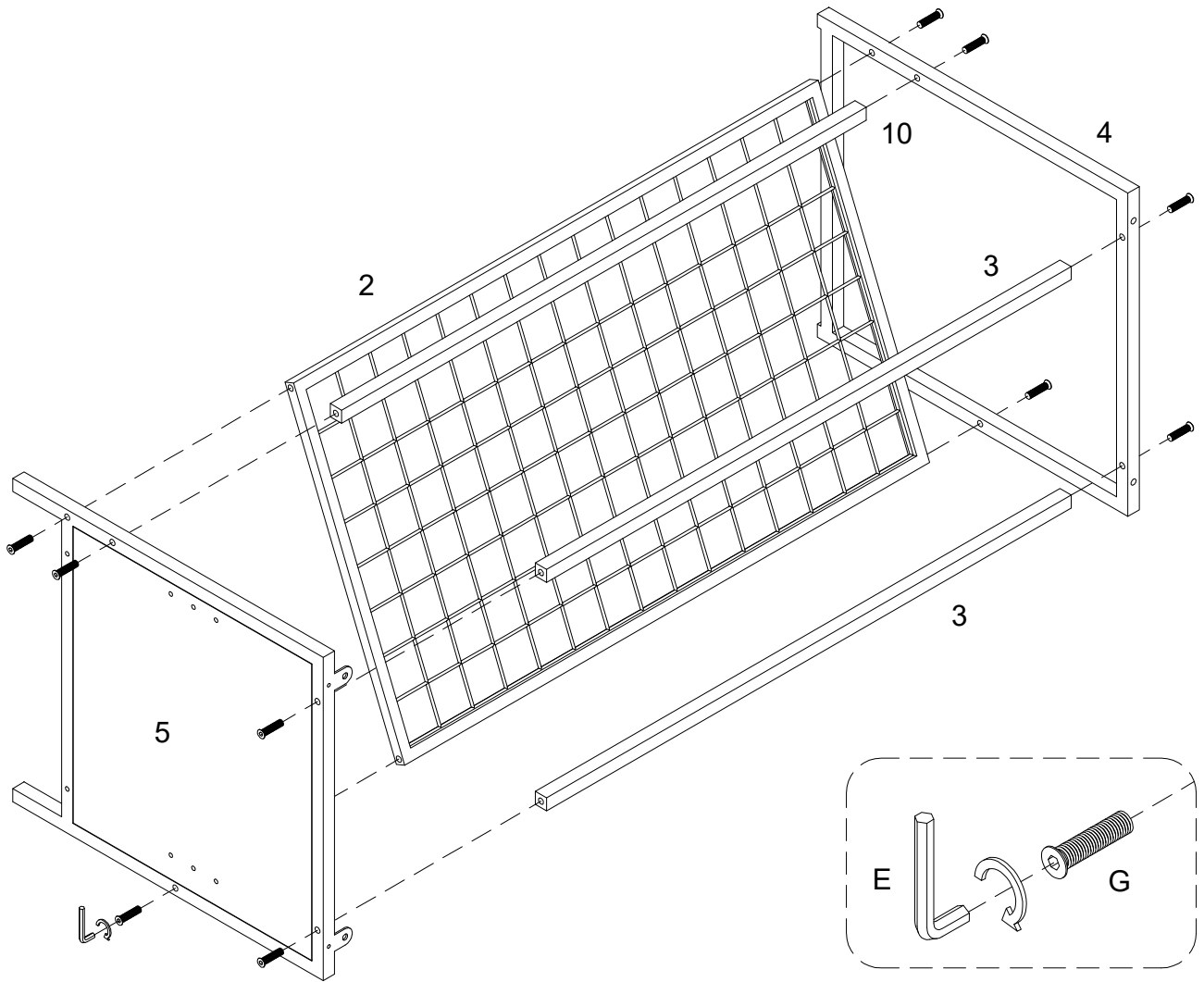
Using cam bolt (C) secure part (1) with Philips head screwdriver as per diagram.

## Step 2



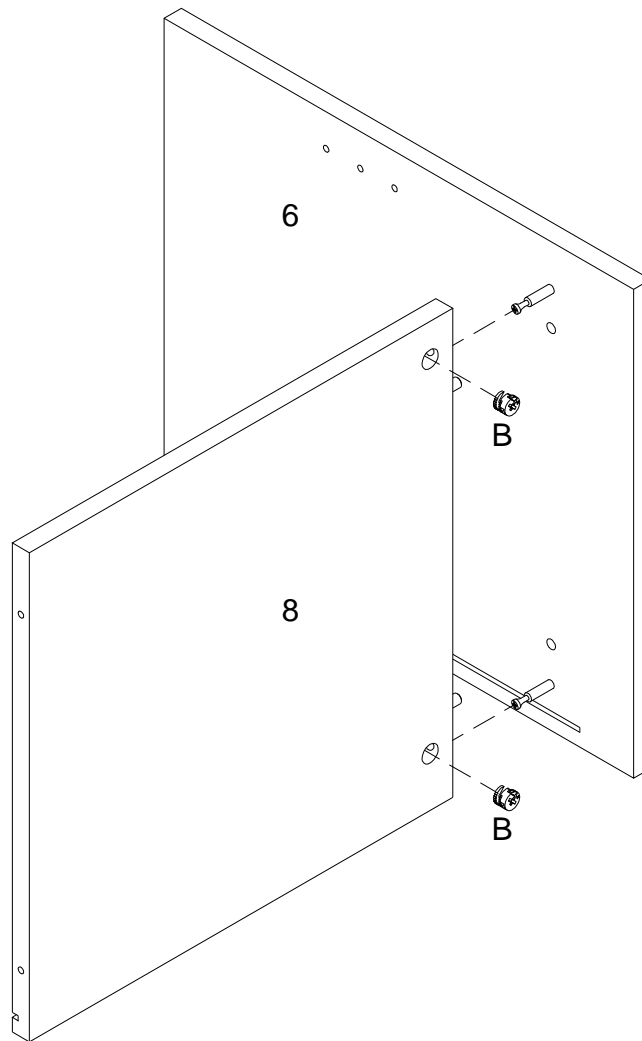
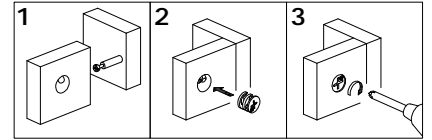
Insert wooden dowel (A) into parts (6,8) and screw cam bolt (C) into designated hole on the side panel as per diagram.

# Step 3



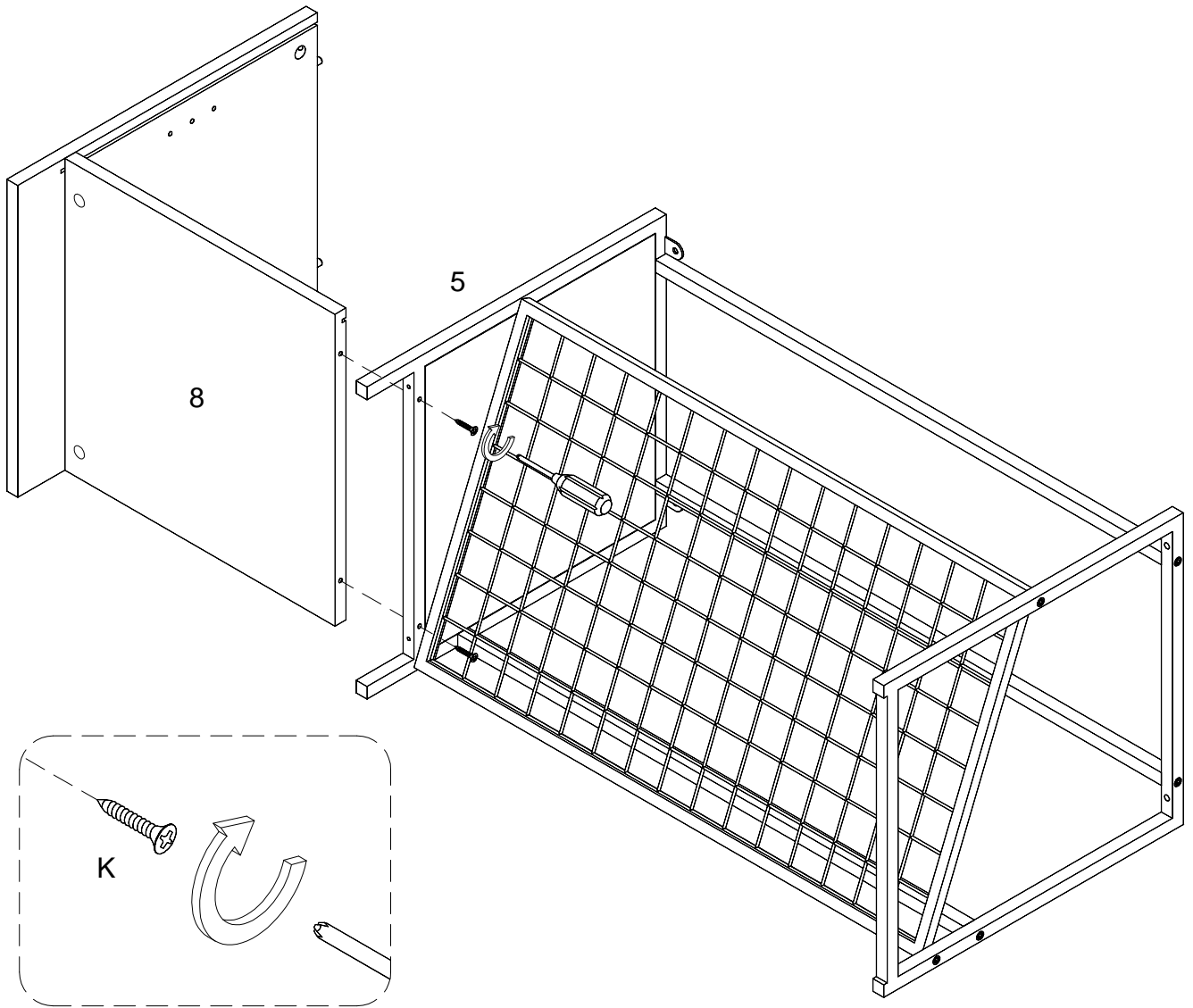
Using bolt (G) secure parts (4,5) into parts (2,3,10 ) with hex key (E) as per diagram.

# Step 4



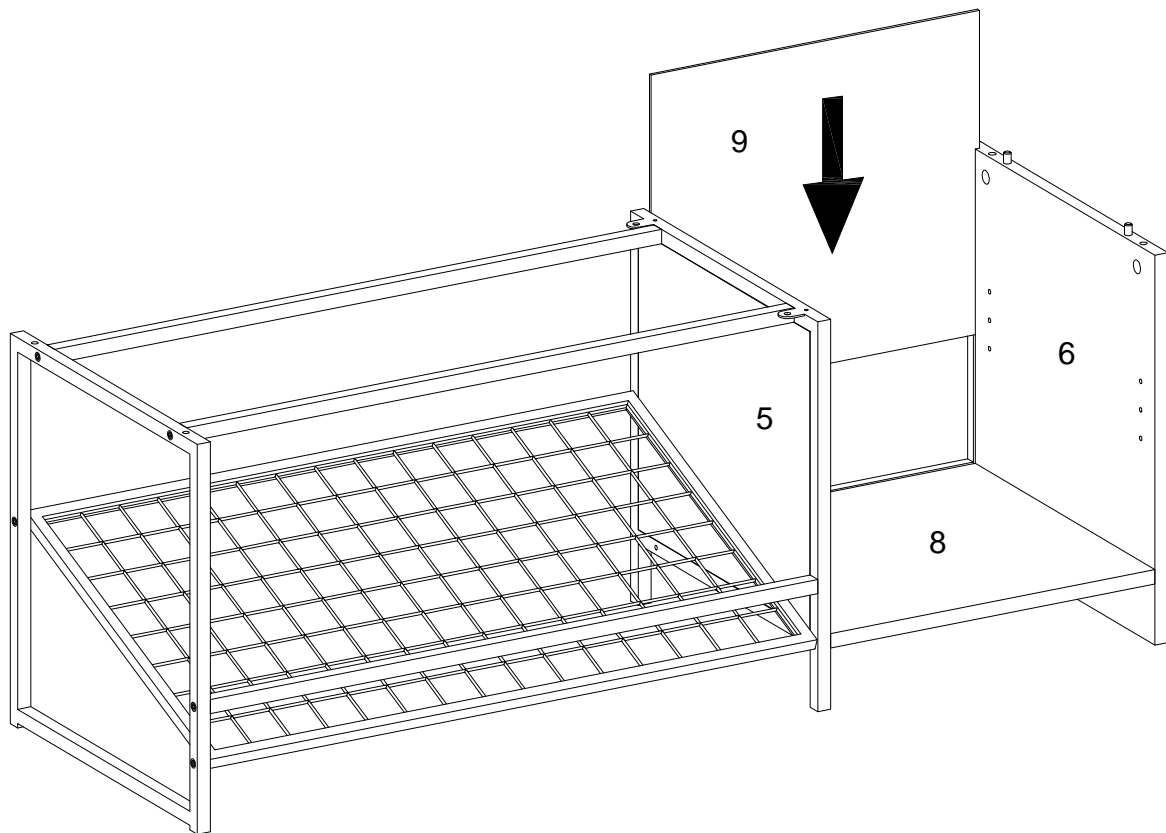
Attach and align the bottom panel (8) to side panel (6) using cam lock (B).

# Step 5



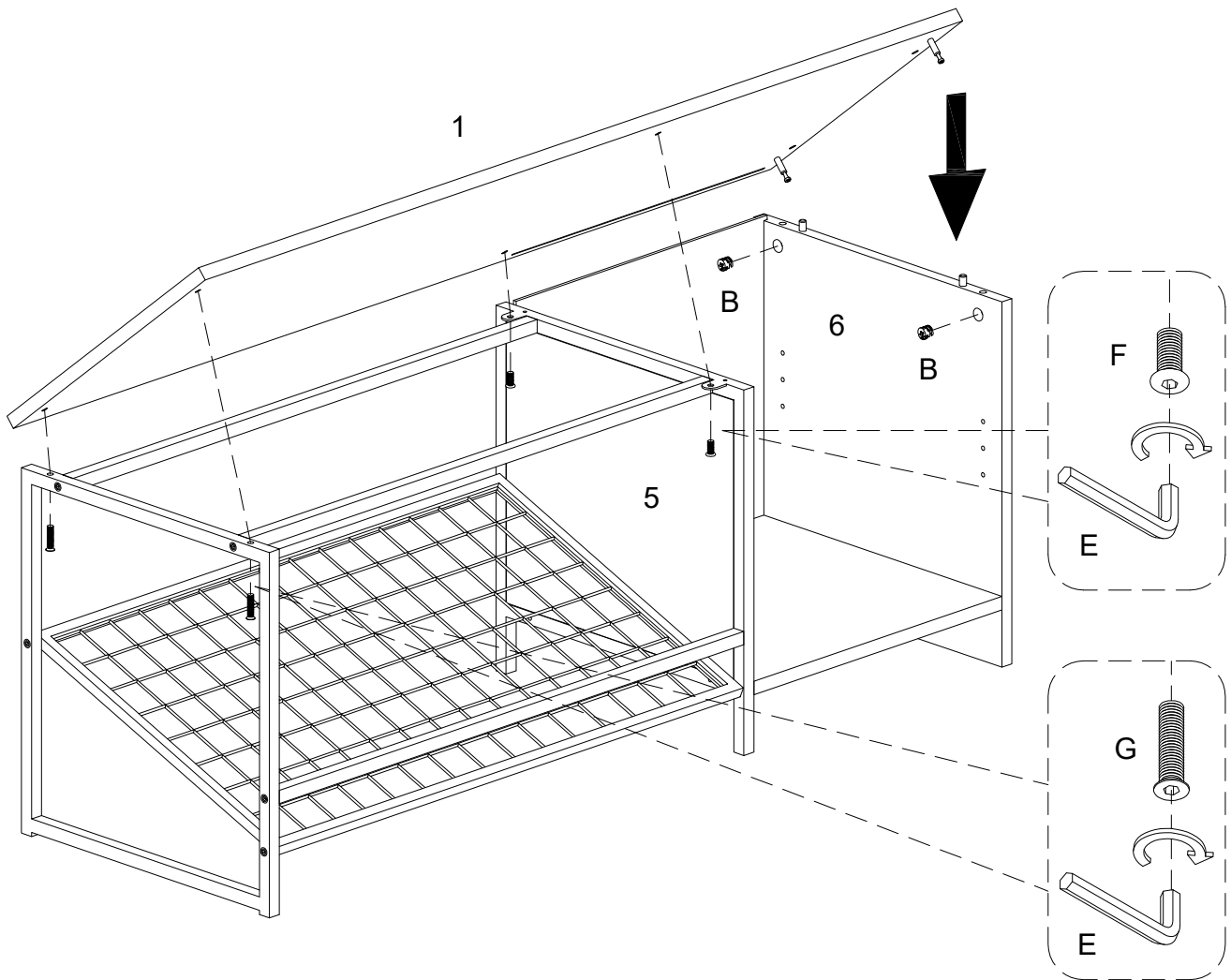
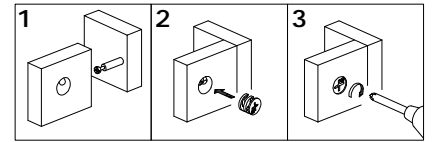
Using screw (K) secure part (5) into part (8) with Philips head screwdriver as per diagram.

# Step 6



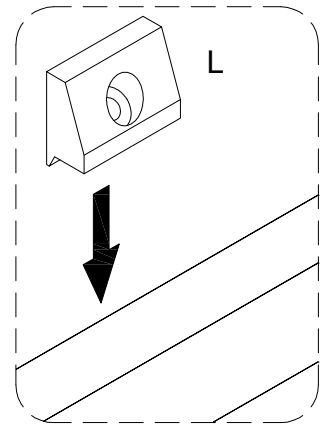
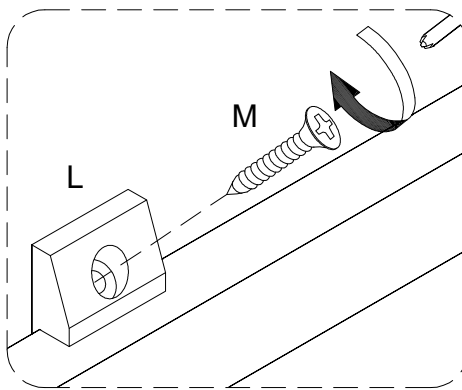
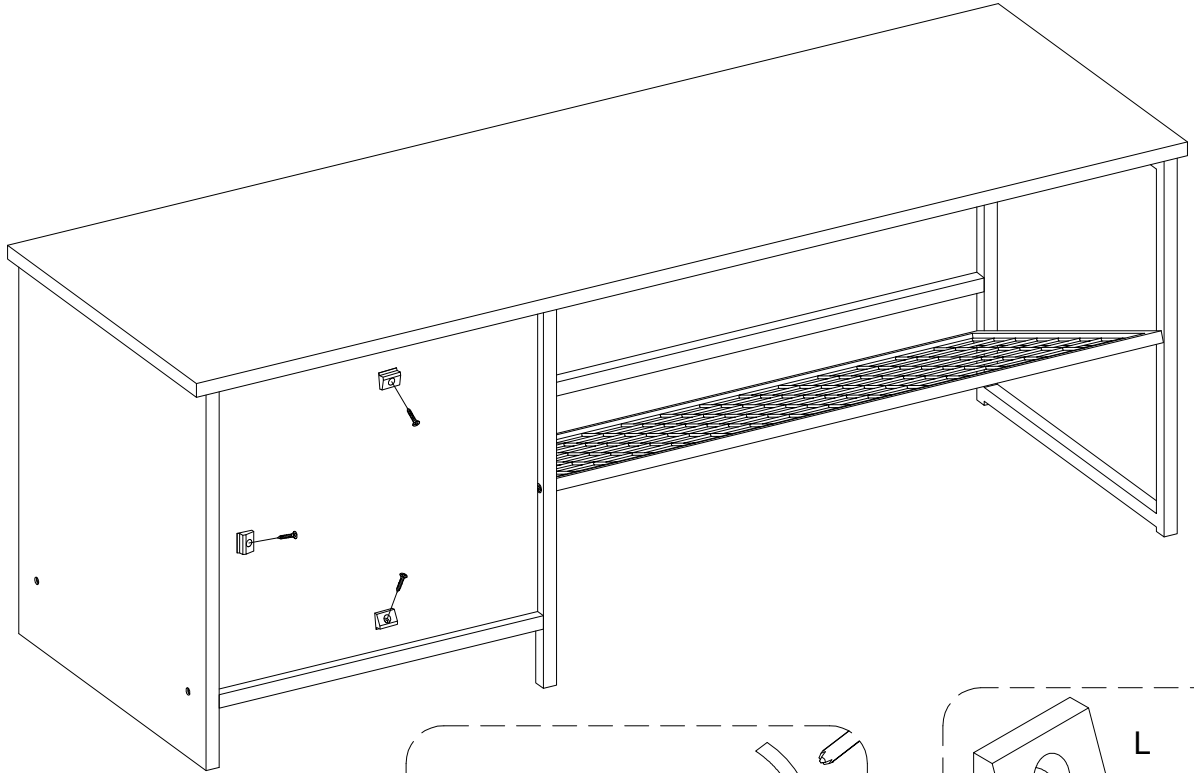
Put part (9) into parts (5,6,8) as per diagram.

# Step 7



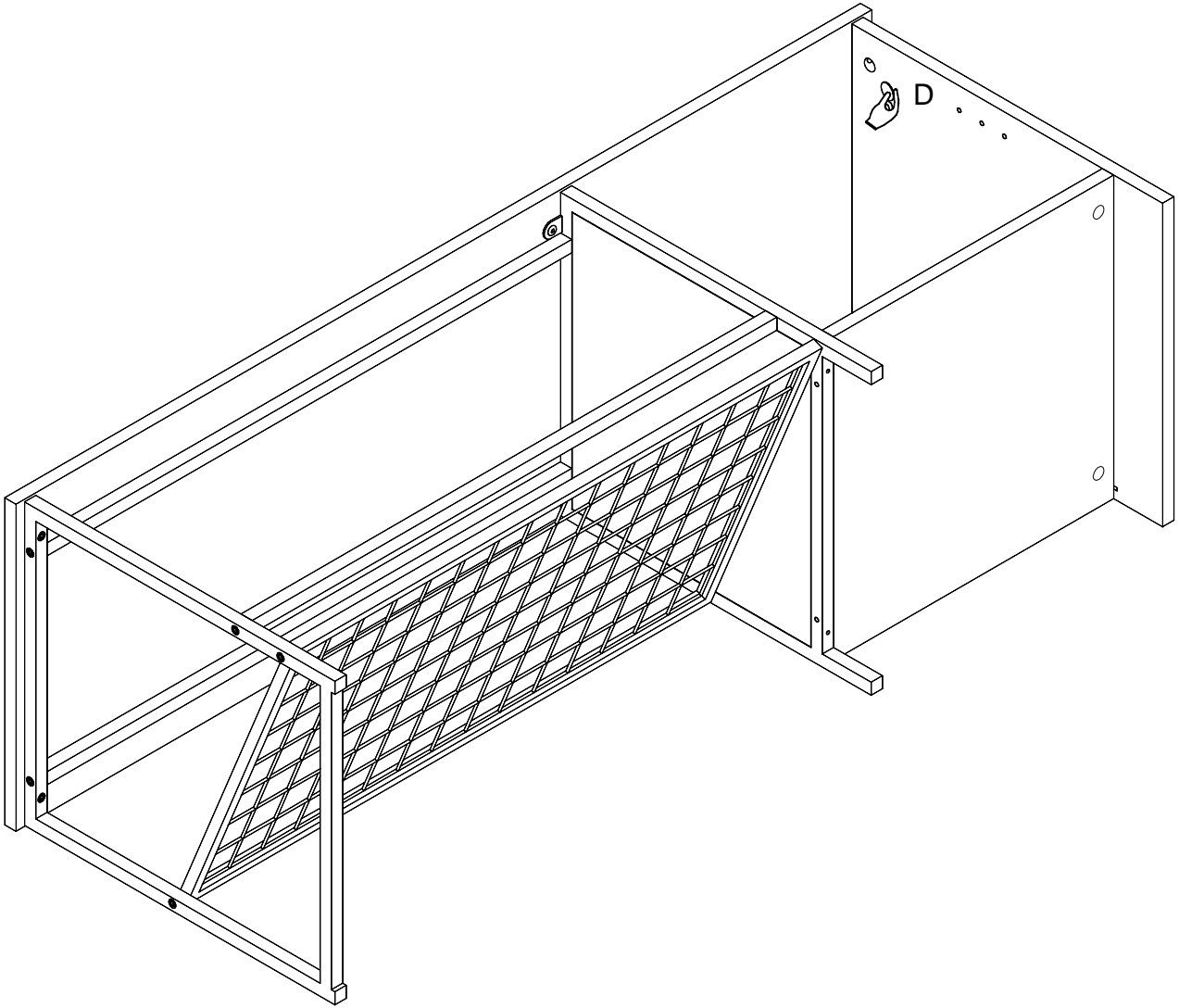
Position the Top Panel (1) onto the inserted Wooden Dowels and fasten it in place with Cam Lock (B) and Bolts (F, G) as per diagram.

# Step 8



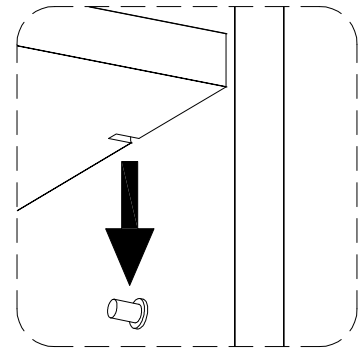
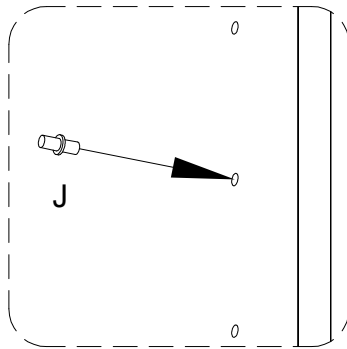
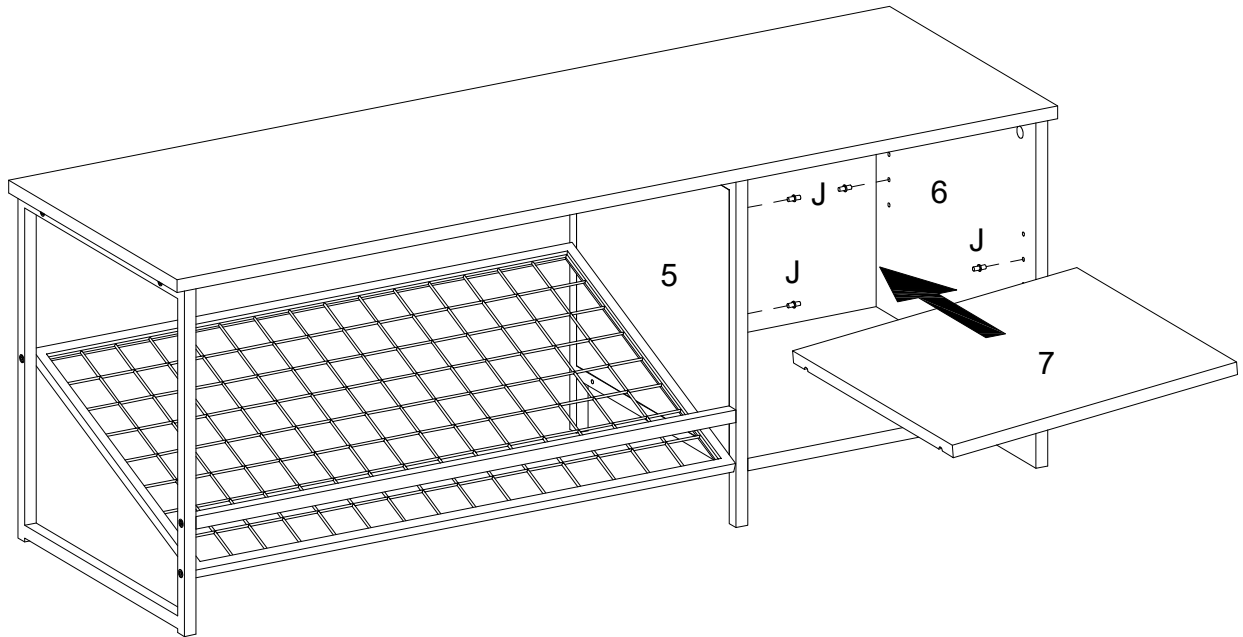
Using screw (M) secure plastic wedge (L) with Philips head screwdriver as per diagram.

# Step 9



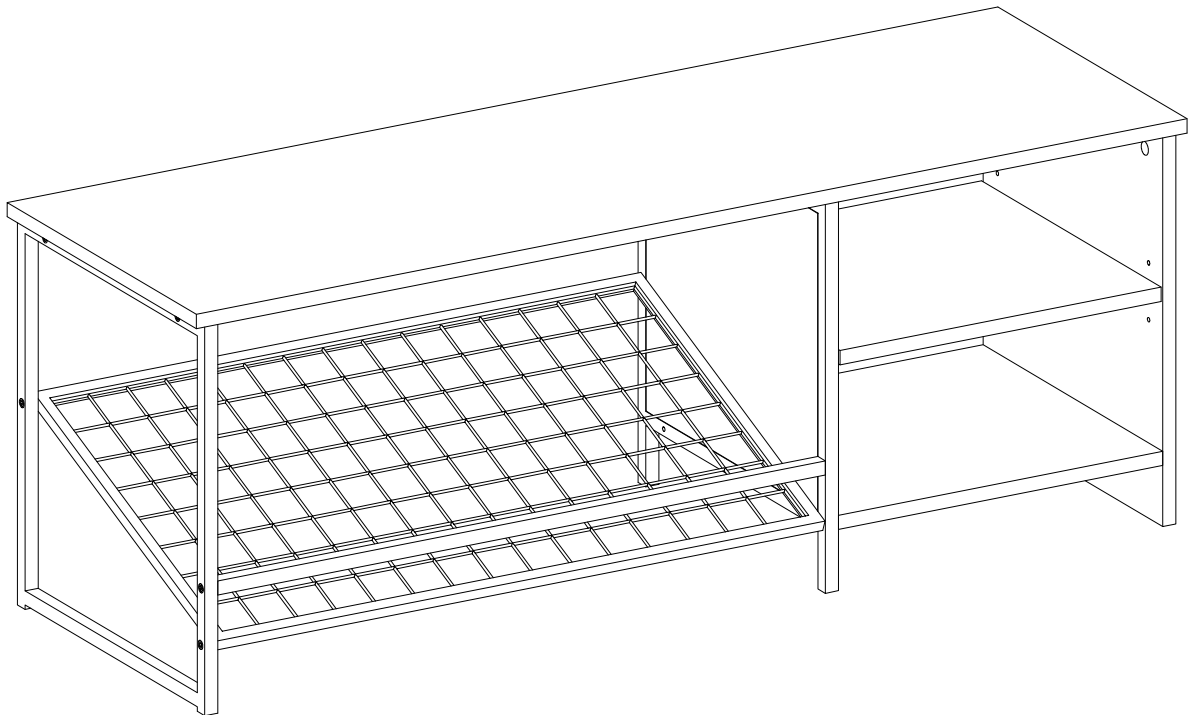
Place sticker (D) cover the holes as per diagram.

# Step 10



Put shelf support pin (J) into parts (5,6) ,then put part (7) into cabinet as per diagram.

# Step 11



**Final Assembly**