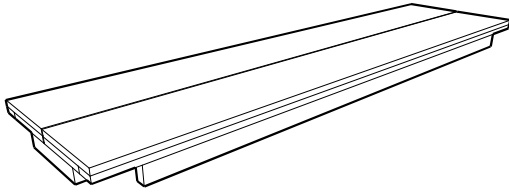


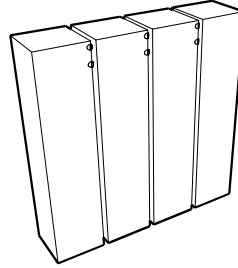
Reclaimed Teak & Aluminum Bench

ASSEMBLY INSTRUCTIONS

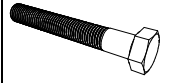
A: 1 Pcs



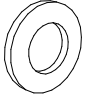
B: 4 Pcs



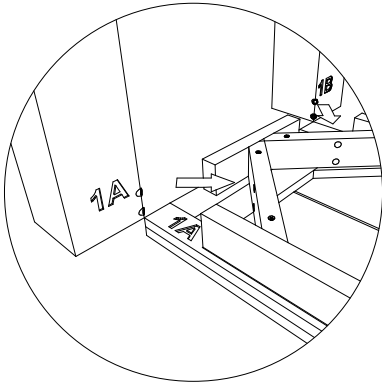
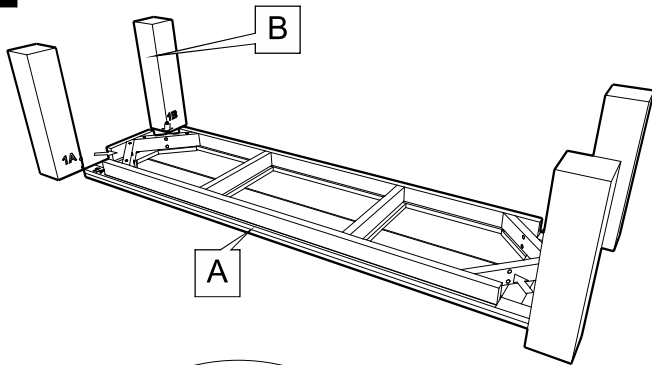
C: 8 Pcs
Hexagonal Bolt
m8x50mm



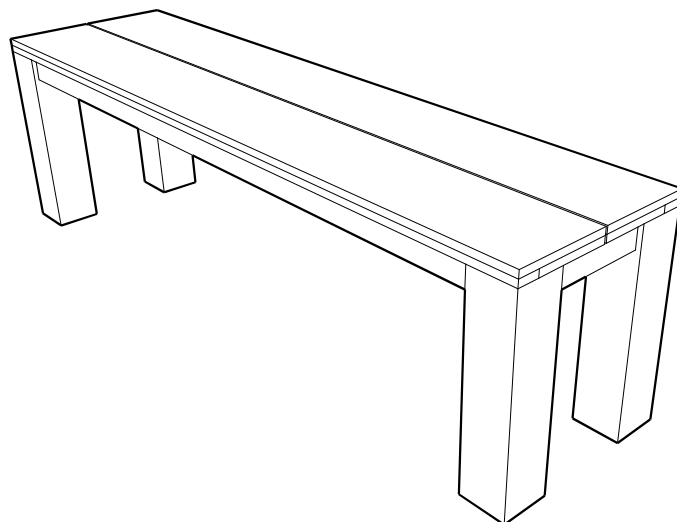
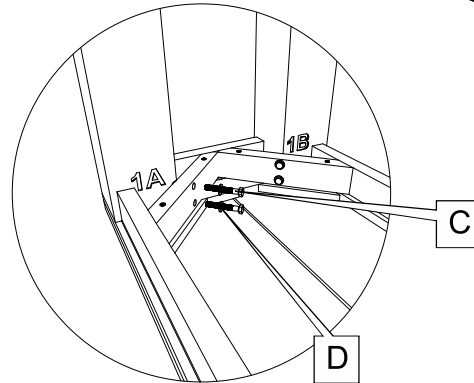
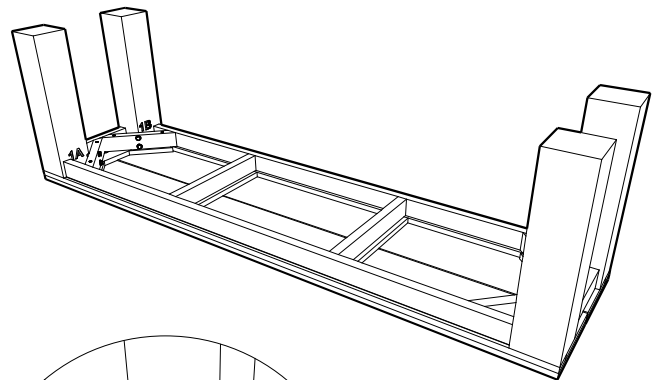
D: 8 Pcs
Washer m8



1



2



No power tools; use supplied assembly tools only