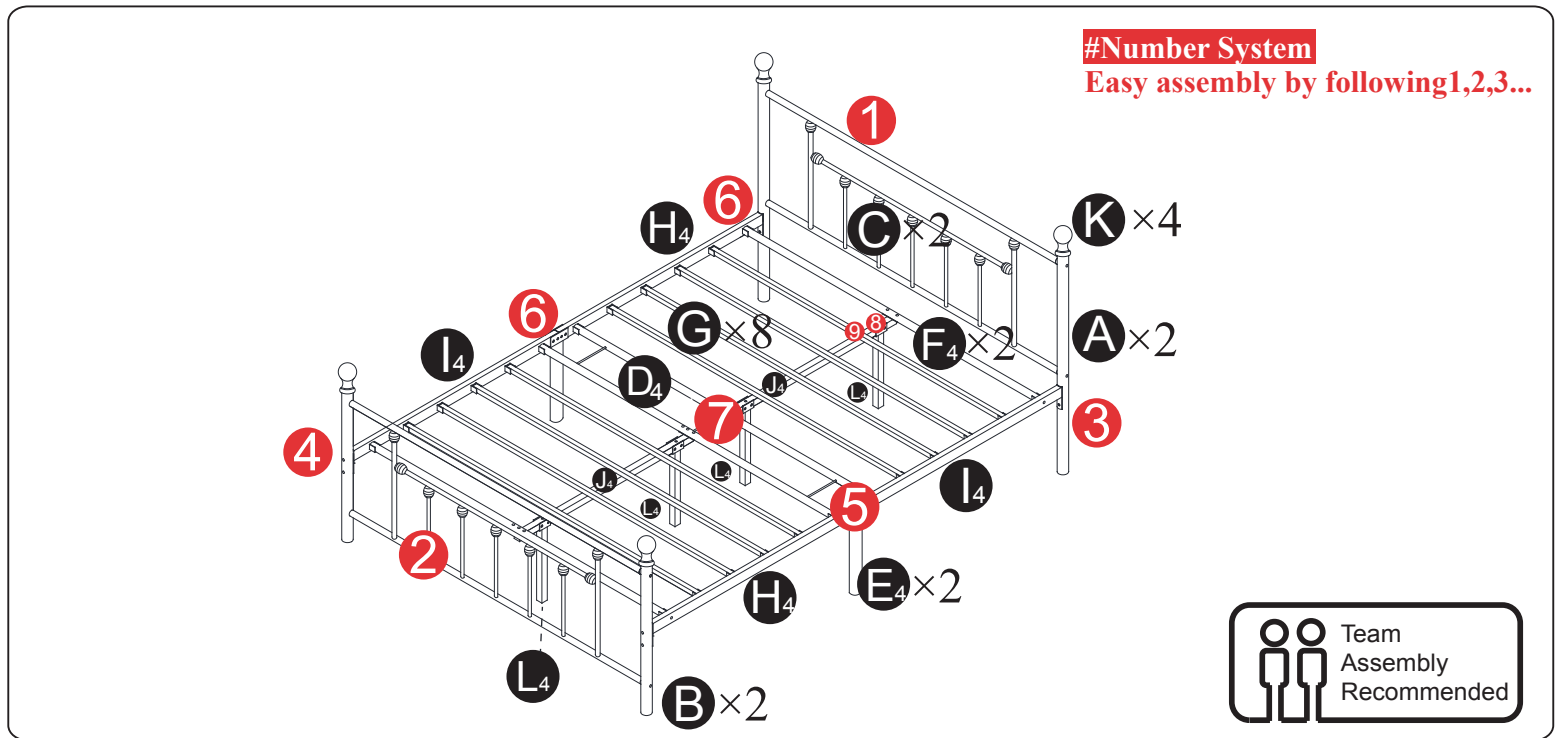
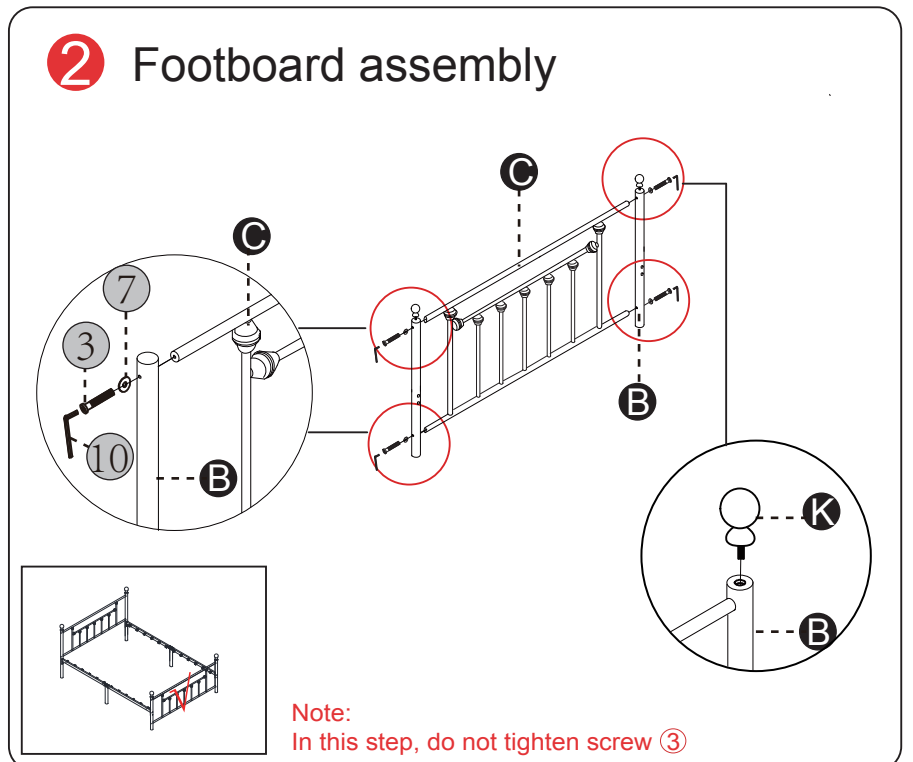
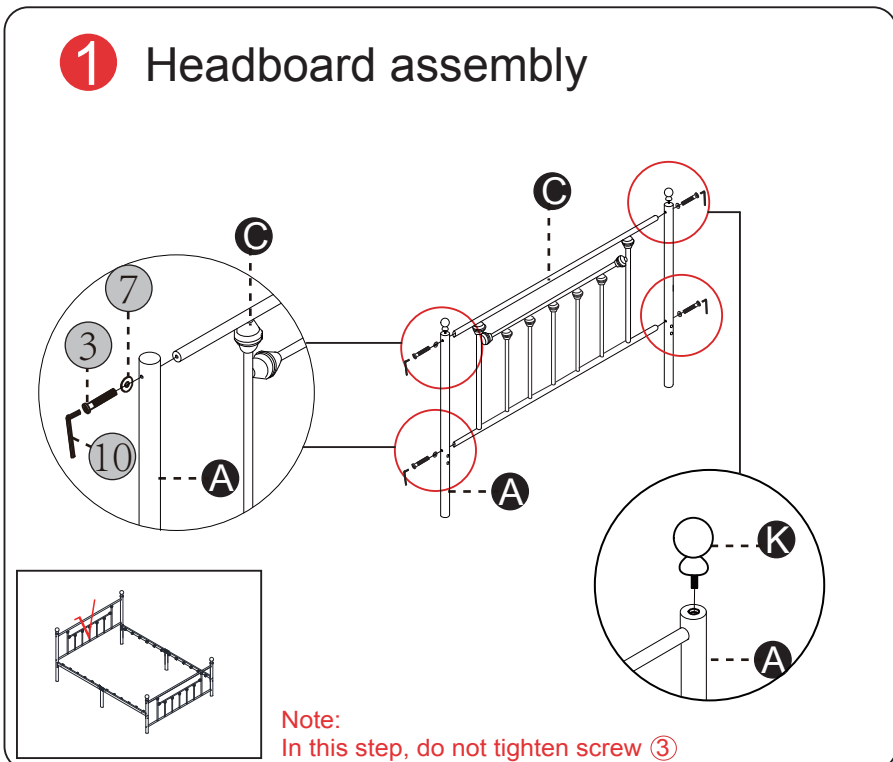


Bed Frame Installation Manual

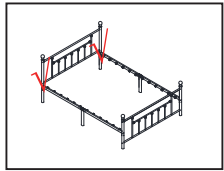
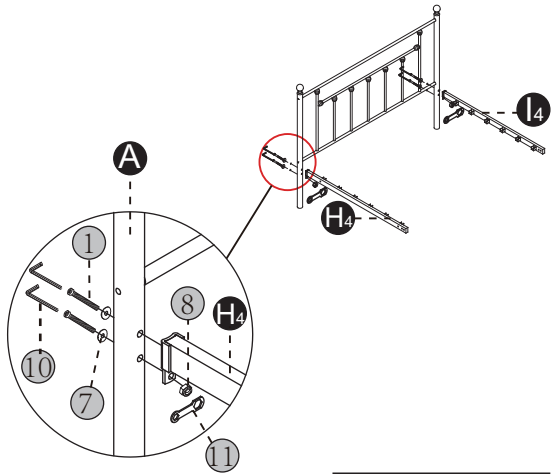


| Componets | | Screws & Tools | |
|-----------|-------------------|----------------|-------------|
| | A x2 | 1 | M8x50mm x8 |
| | B x2 | 2 | M8x35mm x8 |
| | C x2 | 3 | M6x60mm x8 |
| | D x1 | 4 | M6x40mm x20 |
| | E x2 | 5 | M6x30mm x12 |
| | F ₄ x2 | 6 | M6x15mm x4 |
| | G x8 | 7 | Ø |
| | H ₄ x2 | 8 | M8 |
| | I ₄ x2 | 9 | M6 |
| | J ₄ x2 | 10 | M5 |
| | K x4 | 11 | M13/M10 x1 |
| | L x4 | | |

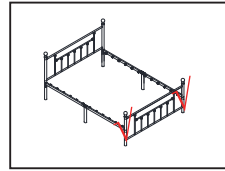
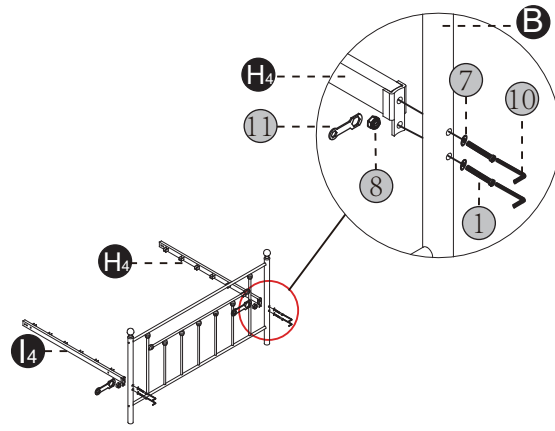
Check all the components & screws before assembly. Do not install in case part is missing, contact us to get



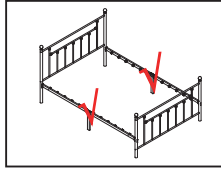
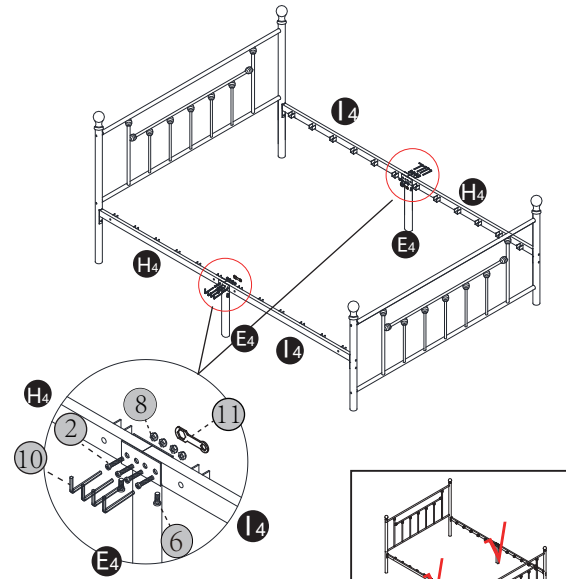
3 Connect **H₄** & **L₄** to headboard



4 Connect **H₄** & **L₄** to footboard

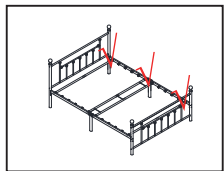
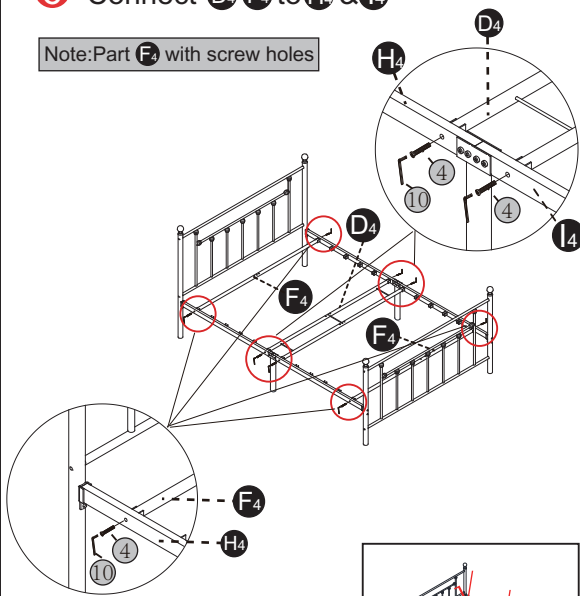


5 Connect **E₄** to **H₄** & **L₄**



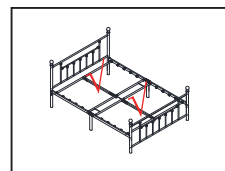
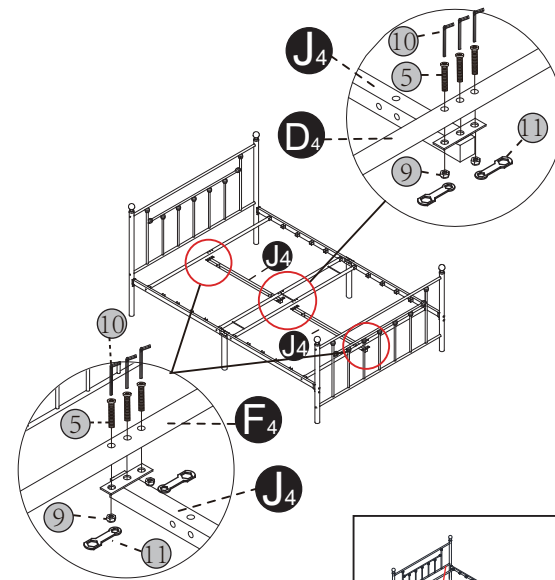
6 Connect **D₄** **F₄** to **H₄** & **L₄**

Note: Part **F₄** with screw holes

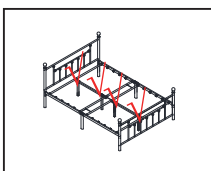
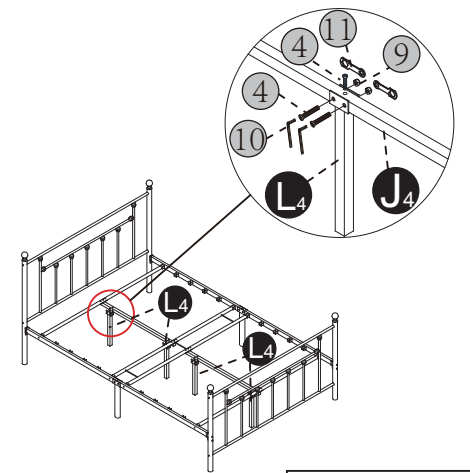


Note:
In this step, do not tighten
screw **4**

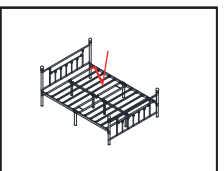
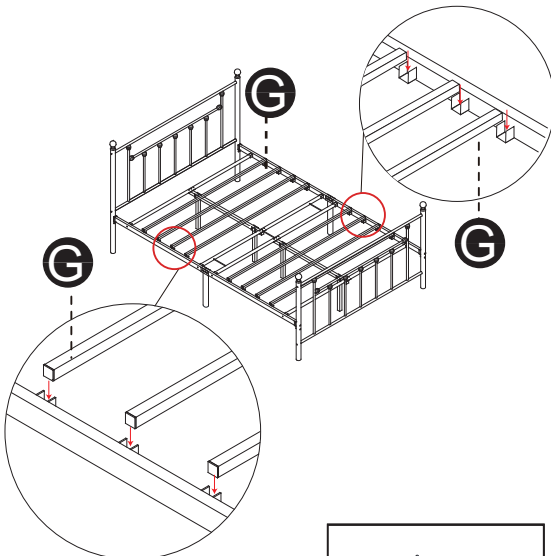
7 Connect **J₄** to **D₄** & **F₄**



8 Connect **L₄** to **J₄**

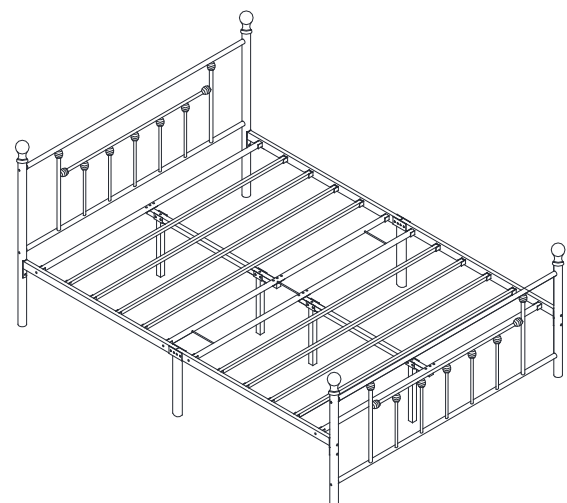


9 Assemble bed slats



Note:
If the bed slats cannot be
inserted easily, loosen the
screws (step **6**)

10 Check and tighten all screws



CAUTIONS!

