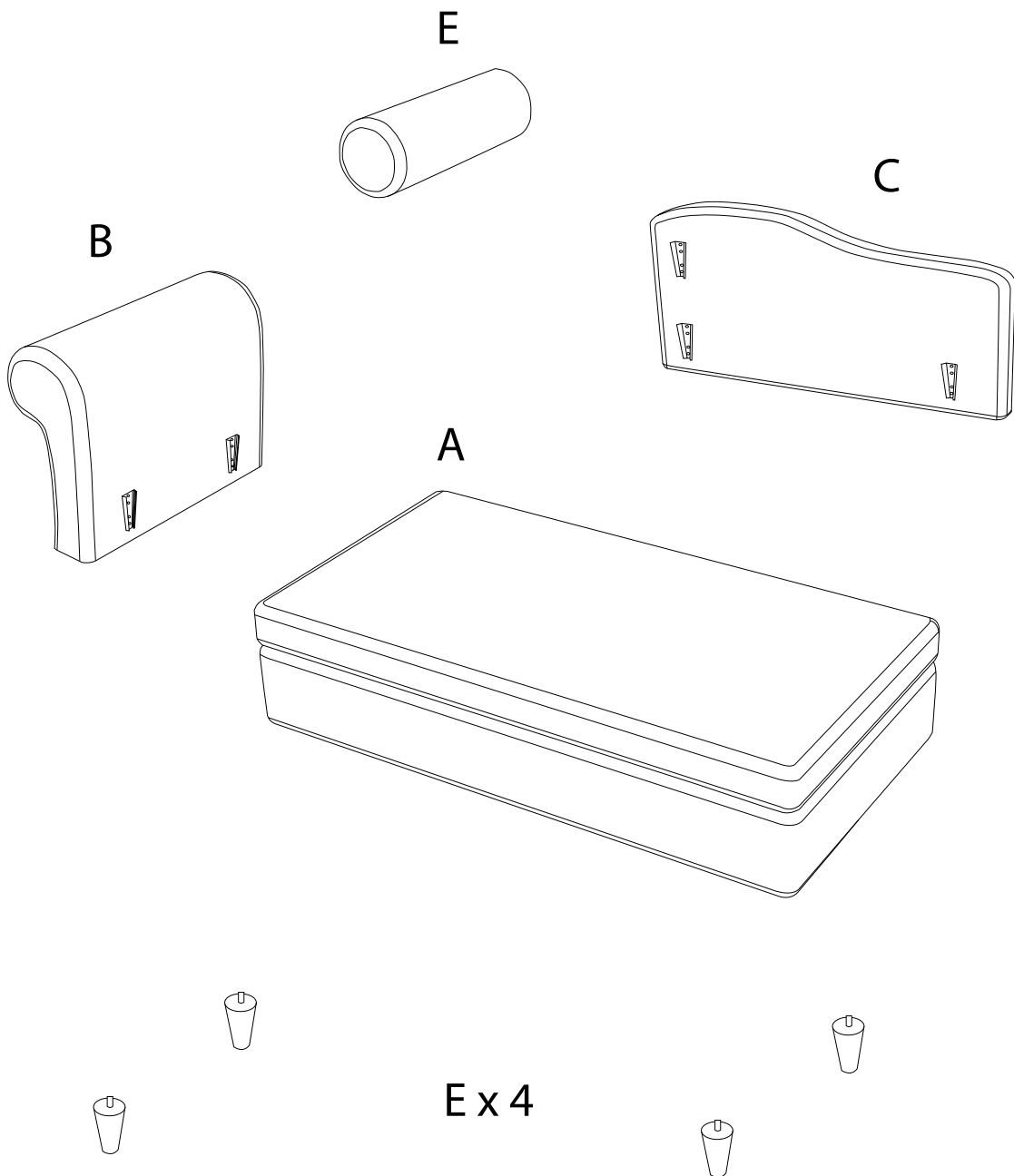
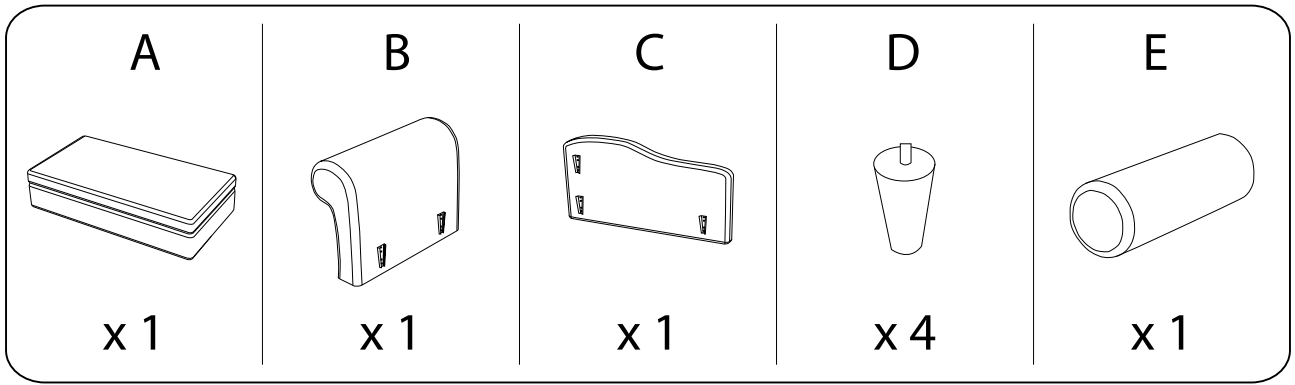


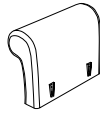
Diagram illustrating assembly instructions and safety warnings:

- Warning 1:** A crossed-out power drill icon indicates that a power drill should not be used for assembly.
- Warning 2:** A crossed-out icon of a rectangular block being cut by a saw indicates that the block should not be cut.
- Time:** A clock icon with the text "30'" indicates an estimated assembly time of 30 minutes.
- Personnel:** An icon of a person with the text "1" indicates that one person is required for assembly.



1

B

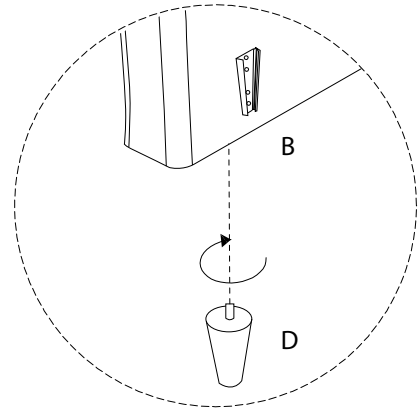
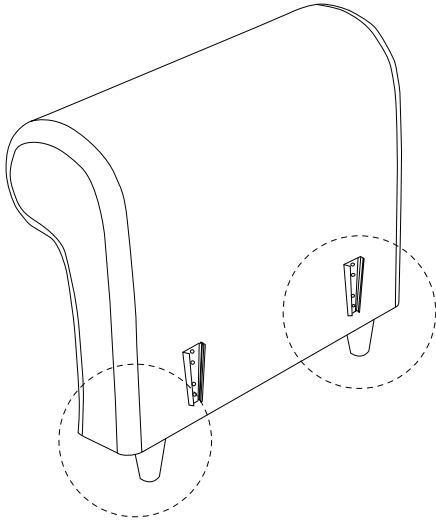


x 1

D

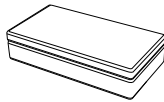


x 2



2

A

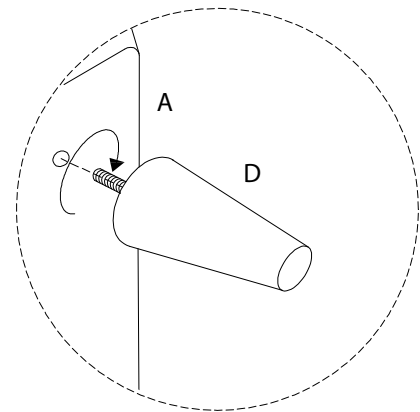
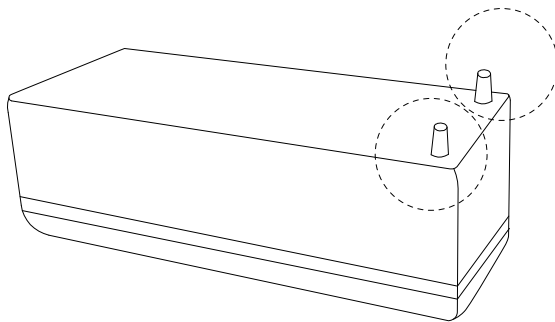


x 1

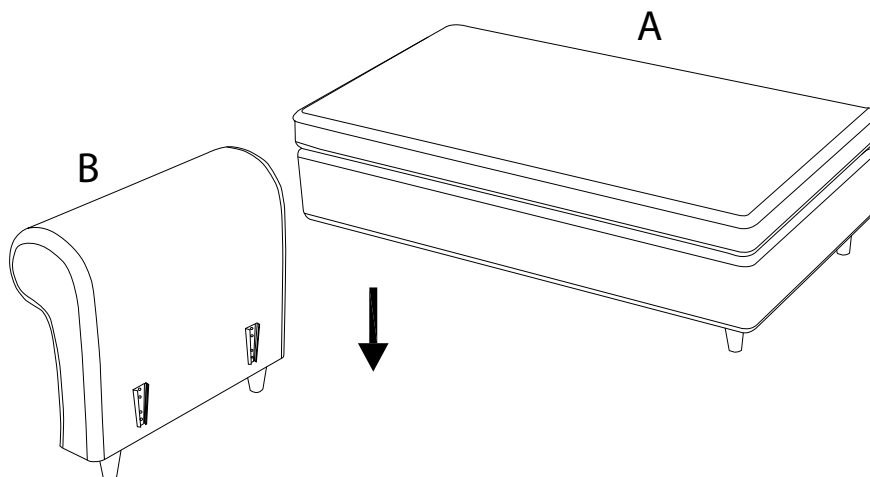
B



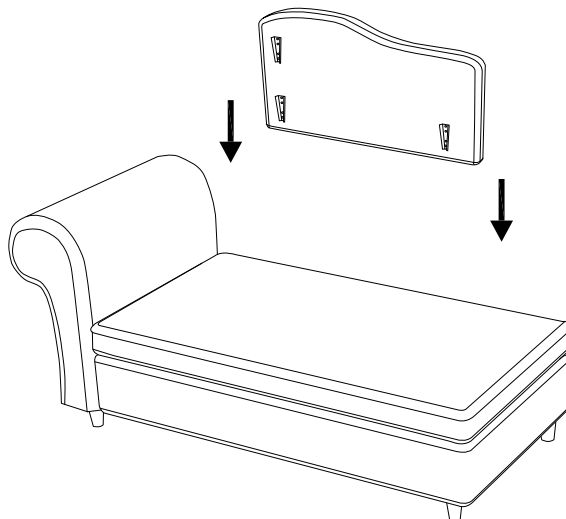
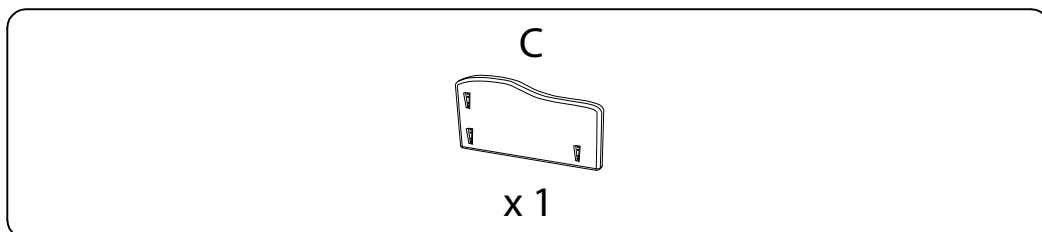
x 2



3

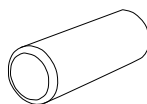


4



5

E



x 1

