

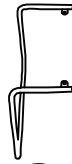
Accent Chair

Assembly Instructions
Instrucciones De Asamblea
Instructions d'Assemblée

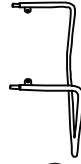
PARTS



A



B



C



x4
D



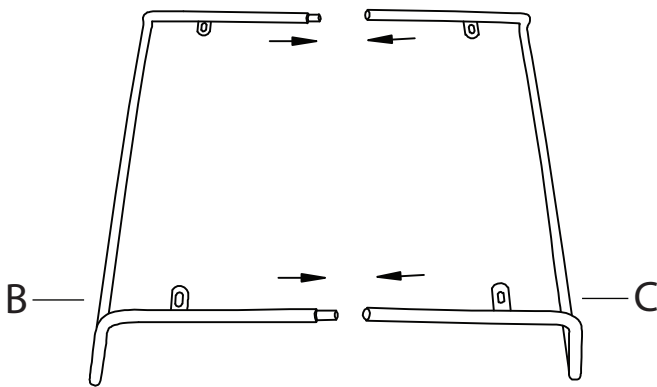
(M6x25mm)

x4
E

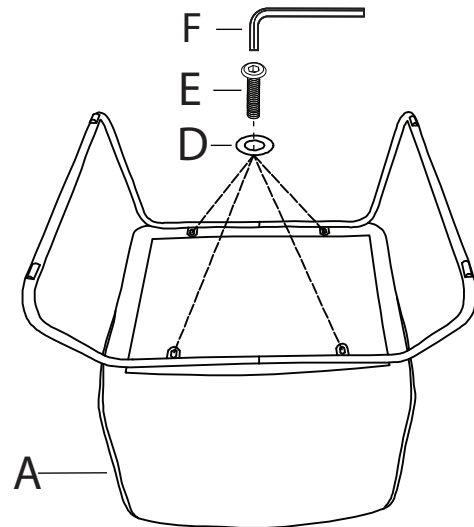


(M6)
F

1



2



3



Do not over tighten.
Do not use power tools to assemble.