

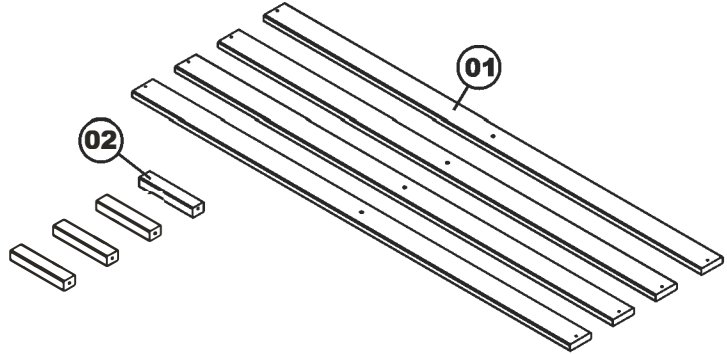
## ASSEMBLY INSTRUCTIONS

Before assembling your Support boards, please read through these instructions carefully and familiarize yourself with the different parts. Please note that you will require a Phillips screwdriver.





### PARTS LIST

- 01 SUPPORT BOARDS 4 PCS**
- 02 CENTER LEG 4 PCS**



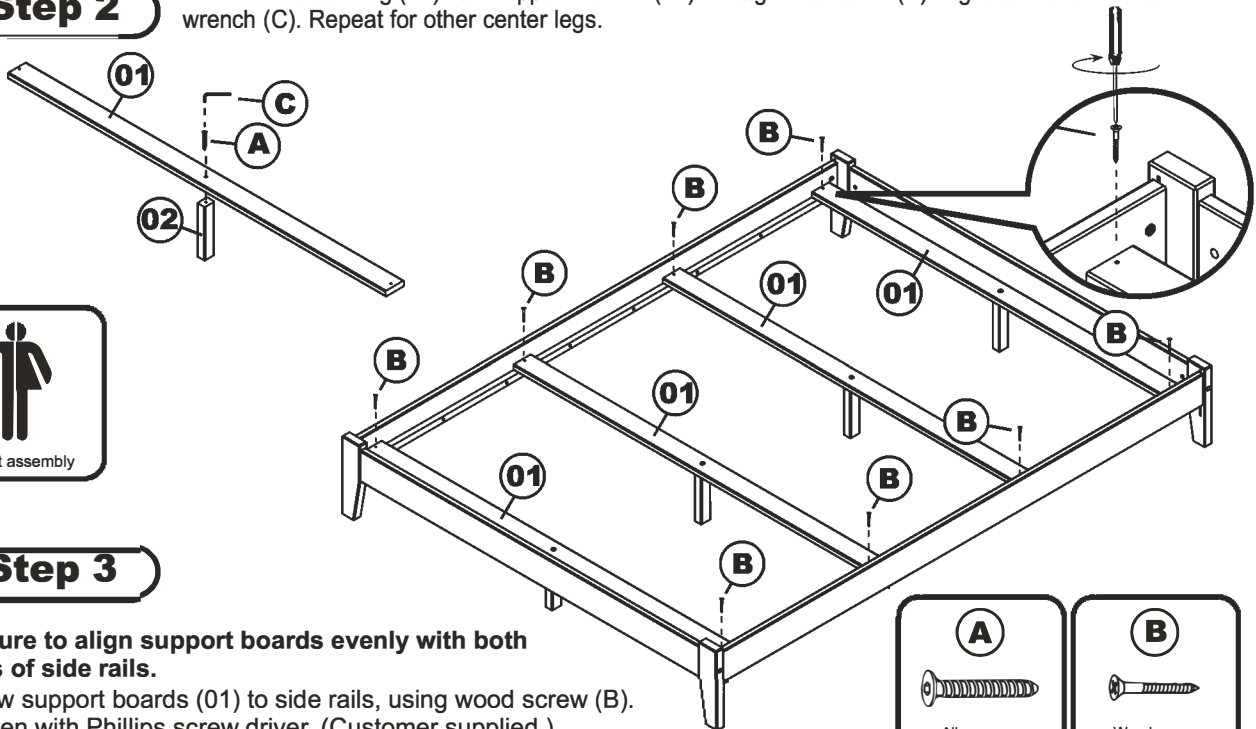
### HARDWARE

-   
**A** 1 1/2" Allen screw - 4 pcs  
Spare - 1 pc
-   
**B** 1 1/4" Wood screw - 8 pcs  
Spare - 1 pc
-   
**C** Allen wrench - 1 pc  
Spare - 1 pc

**NOTE: WE INCLUDE SPARE HARDWARE IN CASE THE WOOD SCREW OR ALLEN SCREW ARE DAMAGED DURING ASSEMBLY.**

**Step 1** Assemble bed frame according to assembly instructions.

**Step 2** Assemble center leg (02) and support boards (01). Using allen screw (A). Tighten with the Allen wrench (C). Repeat for other center legs.



### Step 3

**Be sure to align support boards evenly with both ends of side rails.**  
 Screw support boards (01) to side rails, using wood screw (B). Tighten with Phillips screw driver. (Customer supplied )  
 Be sure the space between support boards is even.

