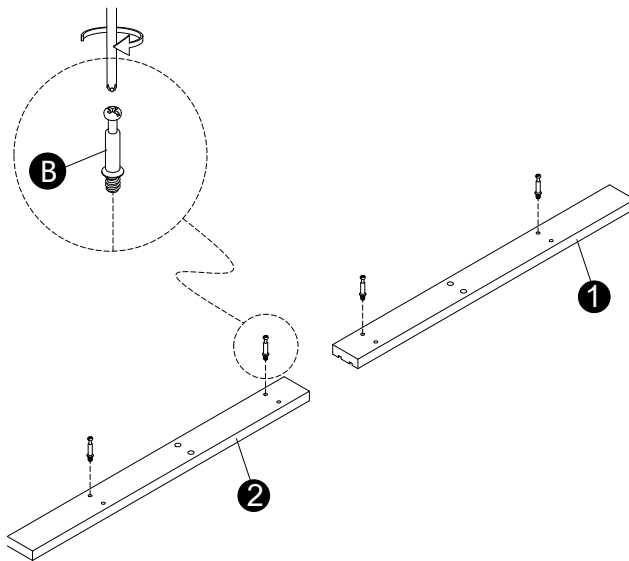


15

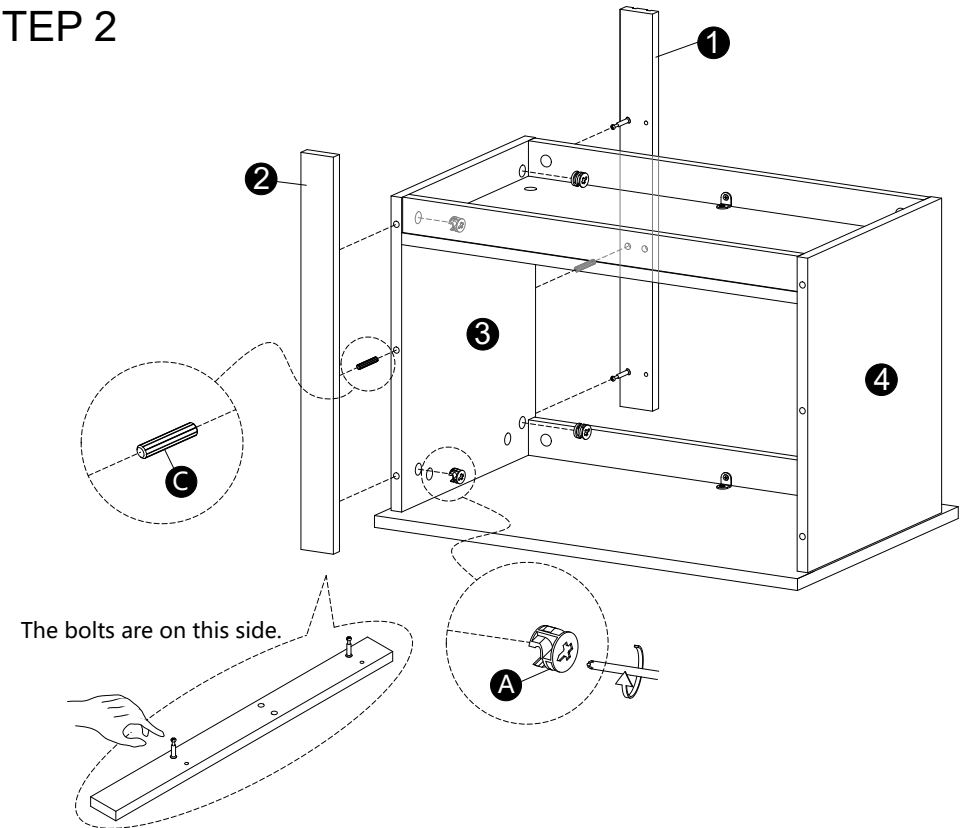
INSTALLATION STEPS

Installation step of left leg

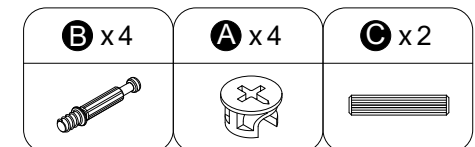
STEP 1



STEP 2



- Screw cam bolts(B) into panels(1,2).
- Insert dowels(C) into panel(3).
- Attach panels(1,2) to panel(3).
- Insert and secure cam locks(A) to panel(3) to lock it.

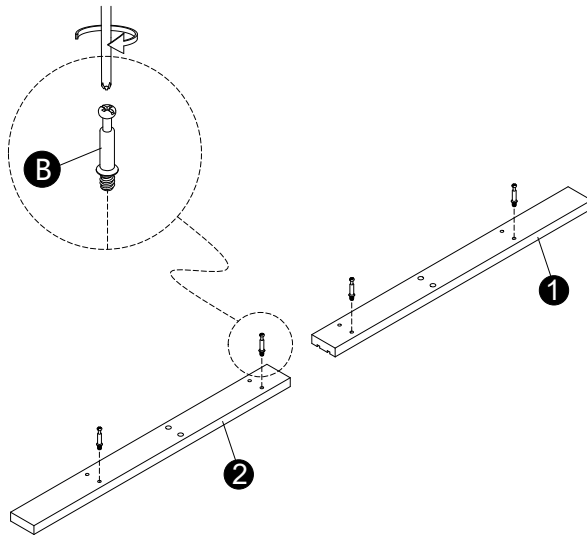


16

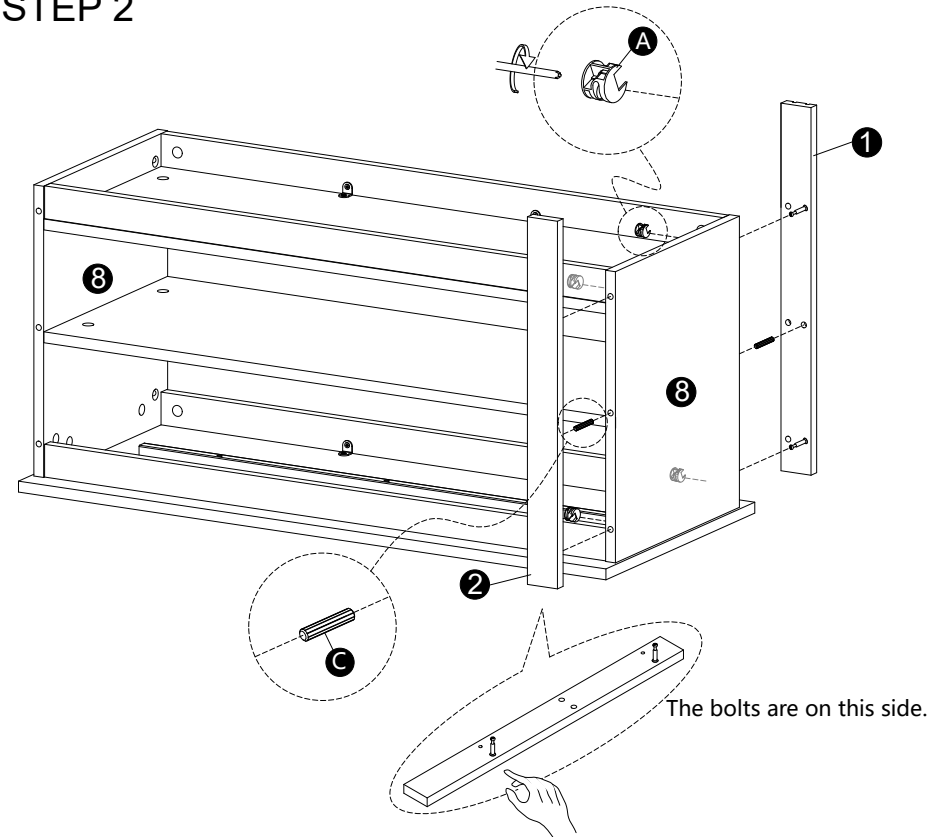
INSTALLATION STEPS

Installation step of right leg

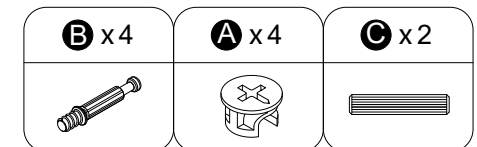
STEP 1



STEP 2



- Screw cam bolts(B) into panels(1,2).
- Insert dowels(C) into panel(8).
- Attach panels(1,2) to panel(8).
- Insert and secure cam locks(A) to panel(8) to lock it.

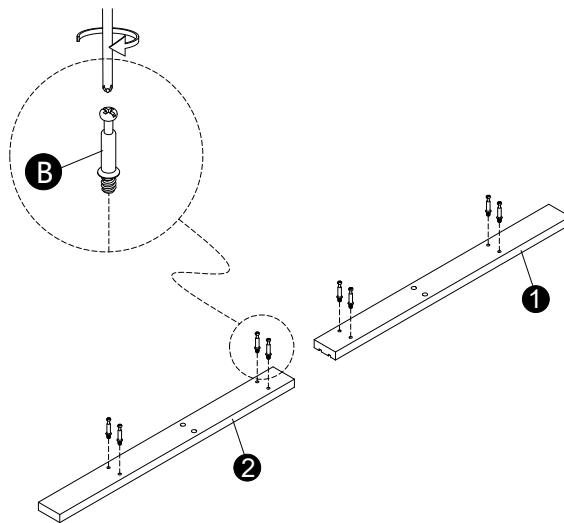


17

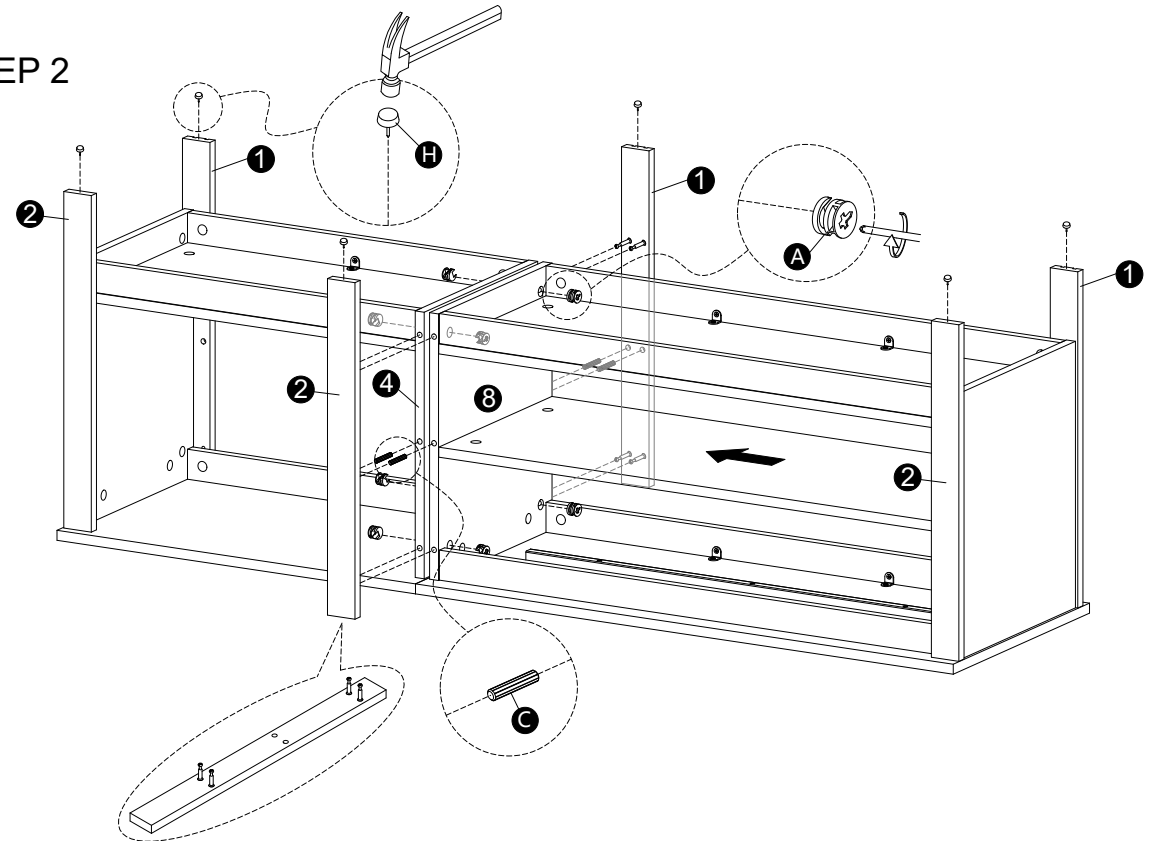
INSTALLATION STEPS

Installation step of middle leg

STEP 1



STEP 2



- Screw cam bolts(B) into panels(1,2).
- Insert dowels(C) into panels(4,8).
- Attach panels(1,2) to panels(4,8).
- Insert and secure cam locks(A) to panels(4,8) to lock it.
- Knock pins(H) into panels(1,2).

