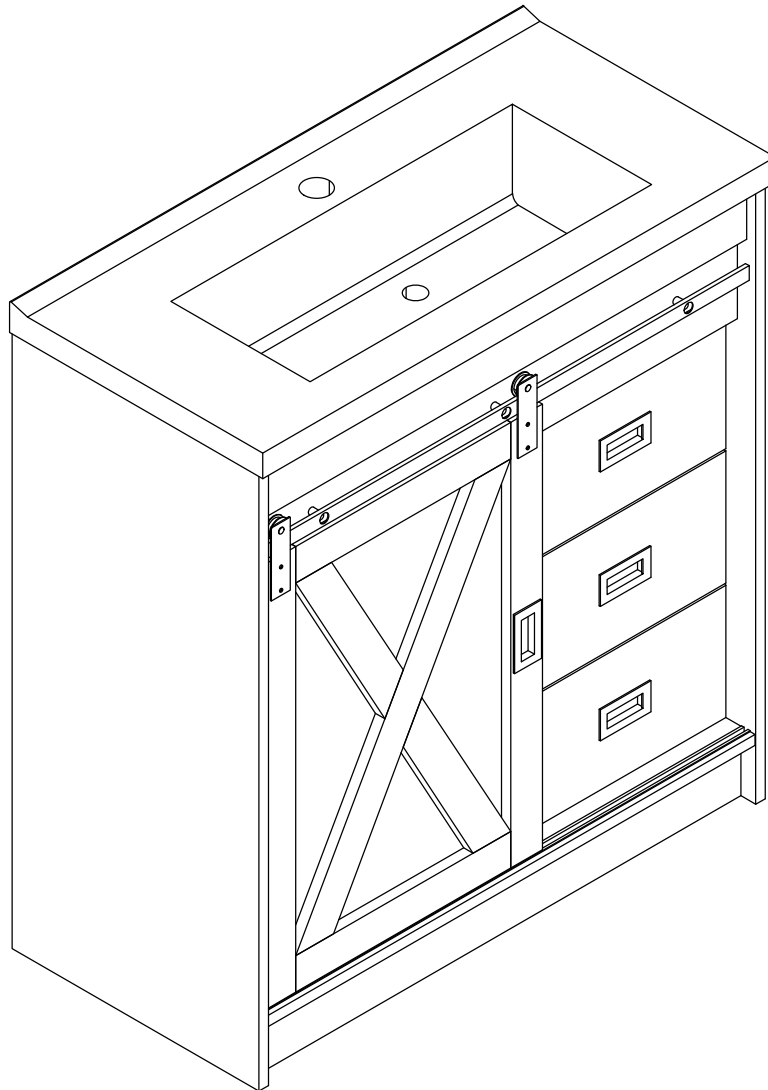
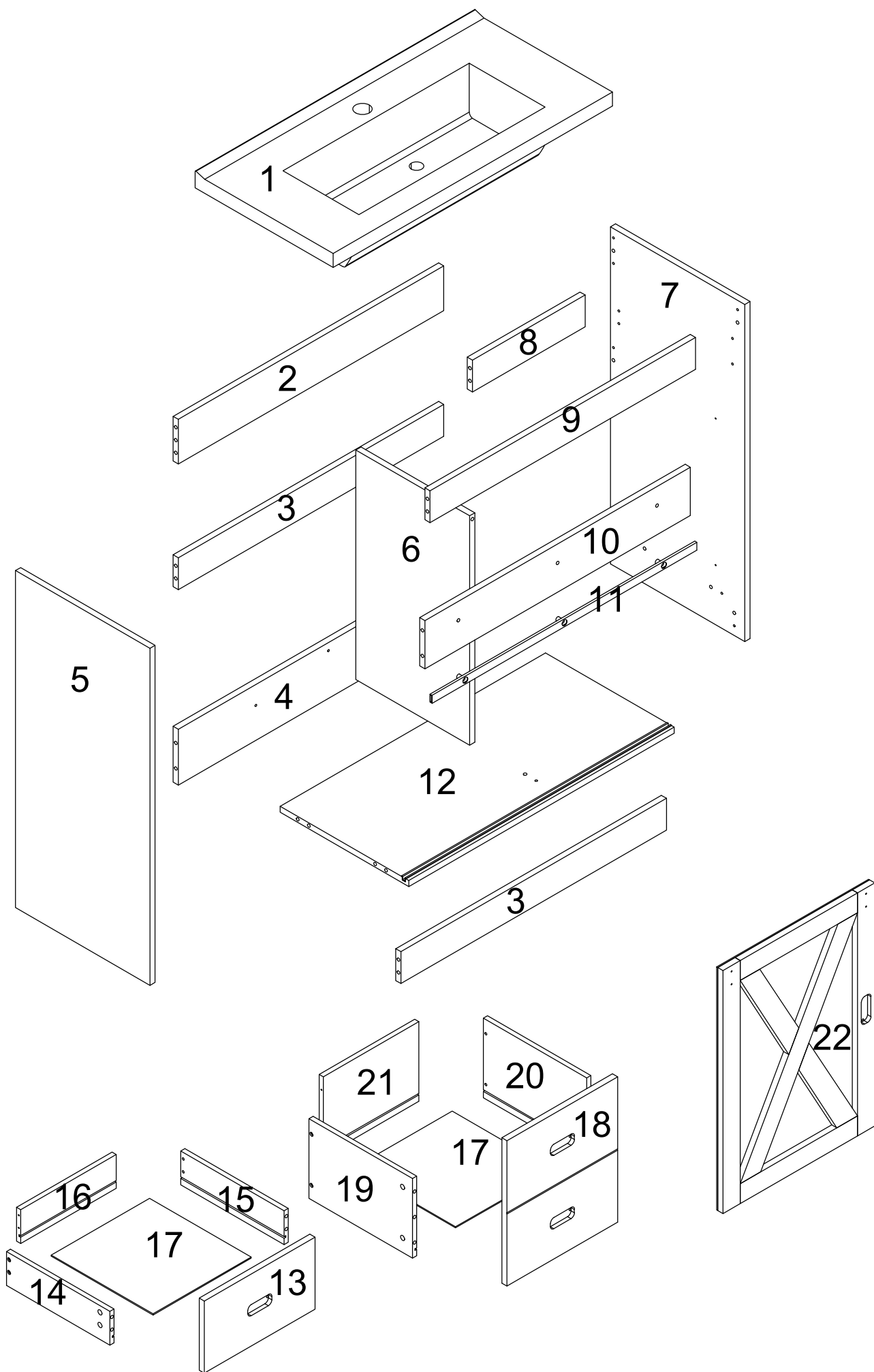


SKU:SF001011WH





# Trouble Shooting

Missing/Damaged pieces/  
Wrong size and installation issues



Contact us with your problem, pic,  
number and qty to the "Contact seller"  
button in the detail page of your order



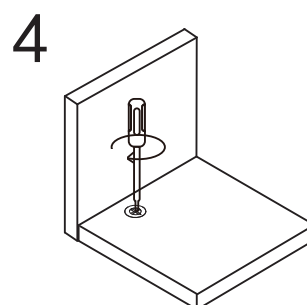
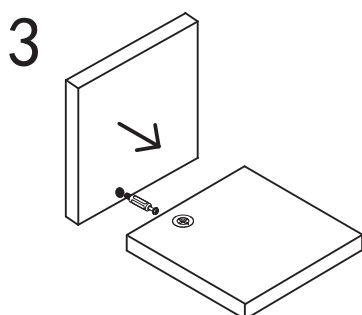
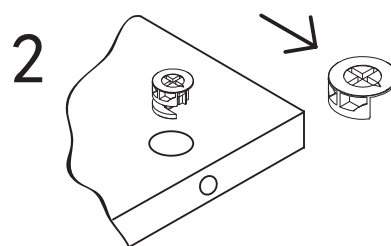
Respond with 24 hours to solve issue

# Before You Start

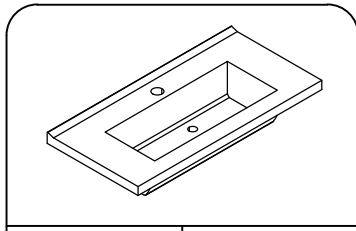
1. Read through each step carefully and follow the proper order
2. Separate and count all your parts and hardware
3. Give yourself enough room for the assembly process
4. Caution: If using a power drill or power screwdriver for screwing, please be aware to slow down and stop when screw is tight. Failure to do so may result in stripping the screw

## Cam Lock Fastening System

This Cam Lock Fastening System will be used throughout the assembly process

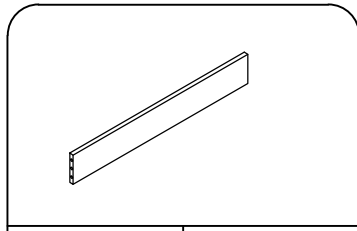


# Parts List



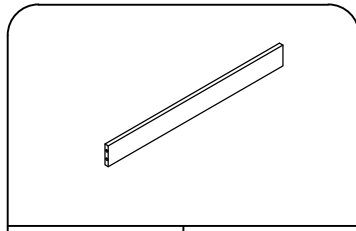
1

1PC



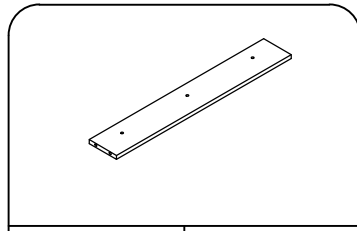
2

1PC



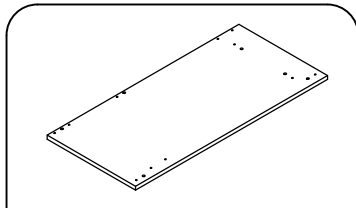
3

2PC



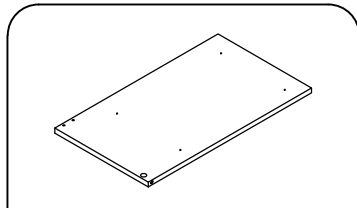
4

1PC



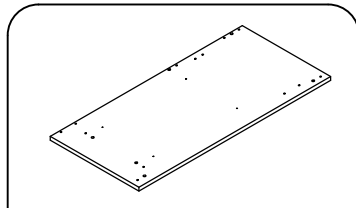
5

1PC



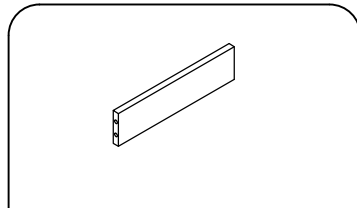
6

1PC



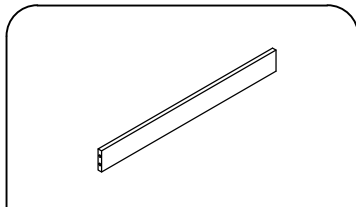
7

1PC



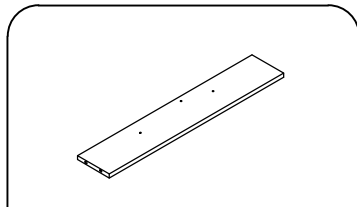
8

1PC



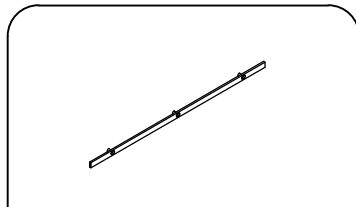
9

1PC



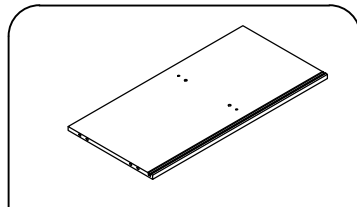
10

1PC



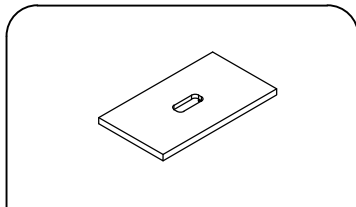
11

1PC



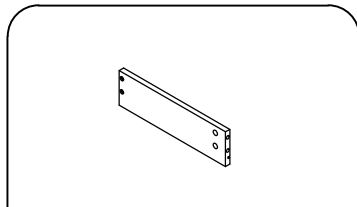
12

1PC



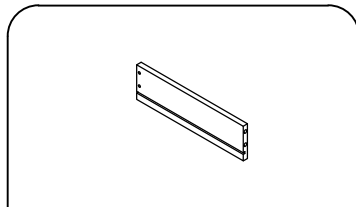
13

1PC



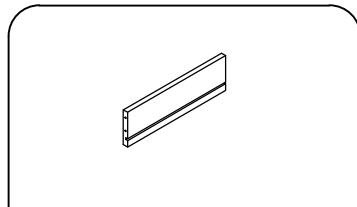
14

1PC



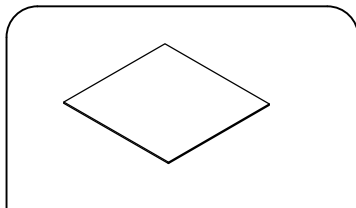
15

1PC



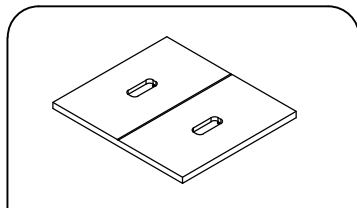
16

1PC



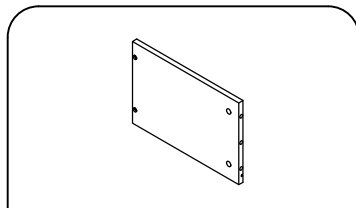
17

2PC



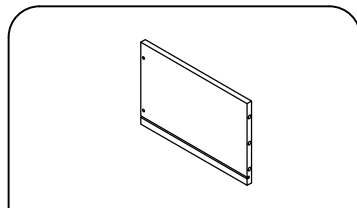
18

1PC



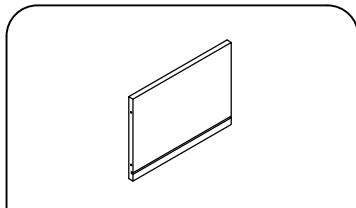
19

1PC



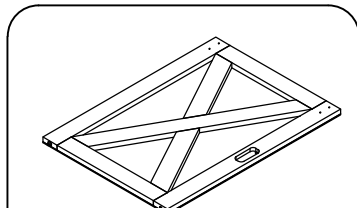
20

1PC



21

1PC



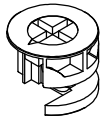
22

1PC

# Hardware List



A 35PC



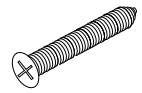
φ15

B 27PC



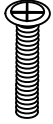
Ø8\*30mm

C 14PC



Ø4\*40mm

D 13PC



M6\*25MM

E 3PC



M4\*12mm

F 8PC

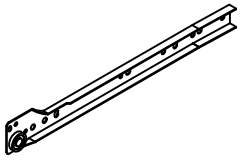


φ3\*12mm

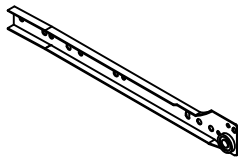
G 16PC



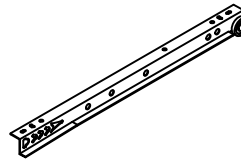
H 4PC



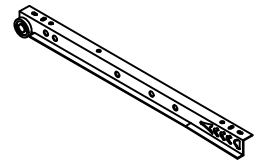
I 2PC



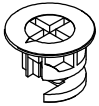
J 2PC



K 2PC



L 2PC



φ12

M 8PC



Ø4\*14MM

N 4PC



O 2PC



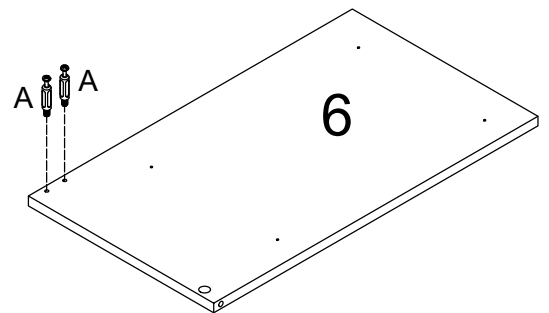
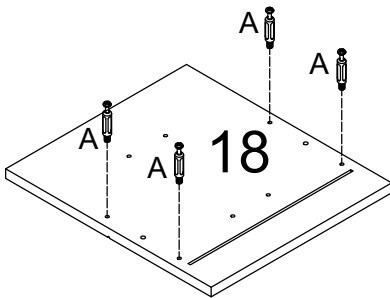
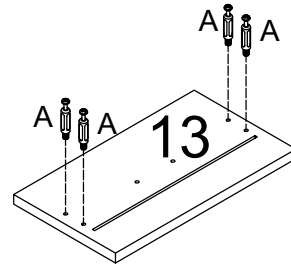
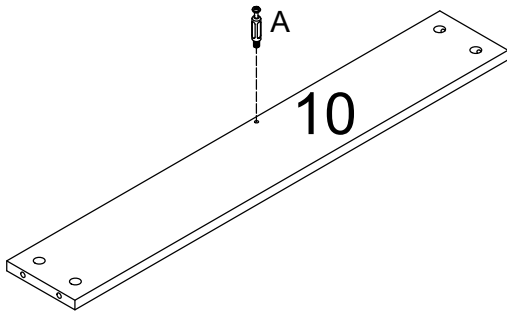
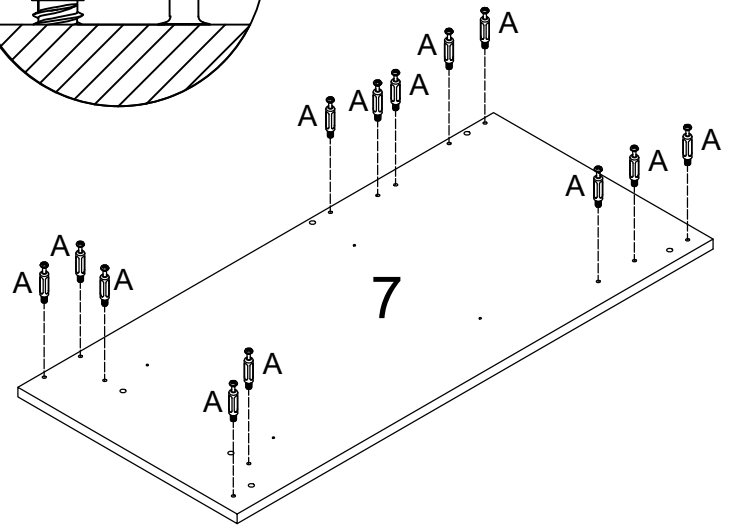
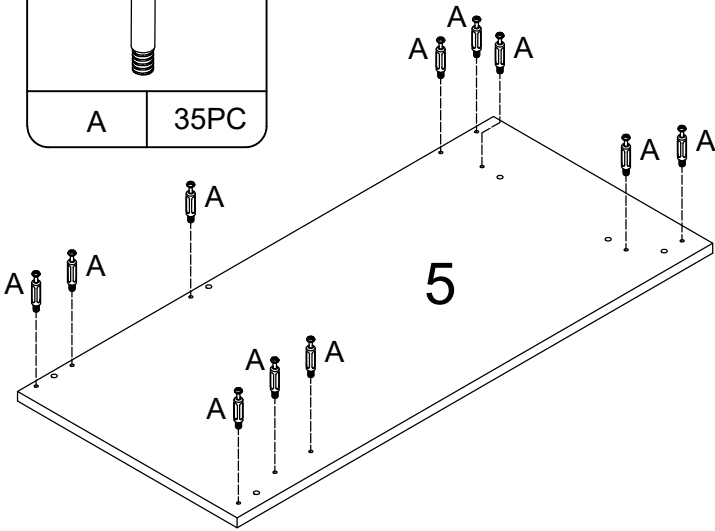
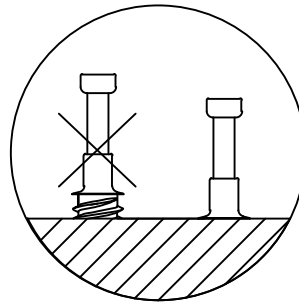
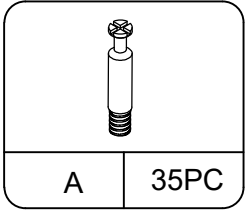
P 2PC




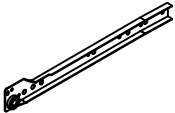
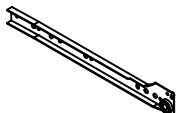
Ø6\*30mm

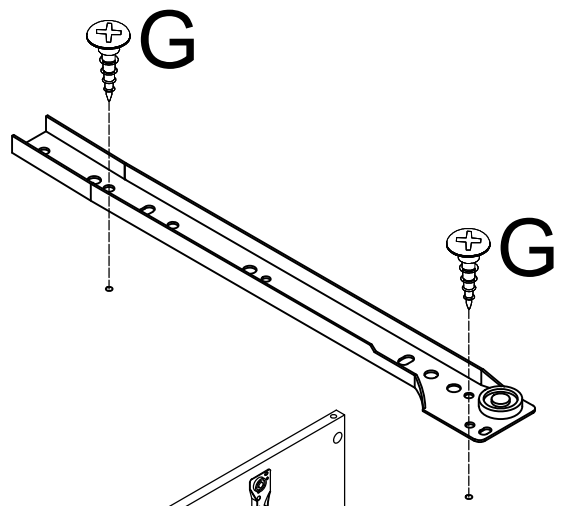
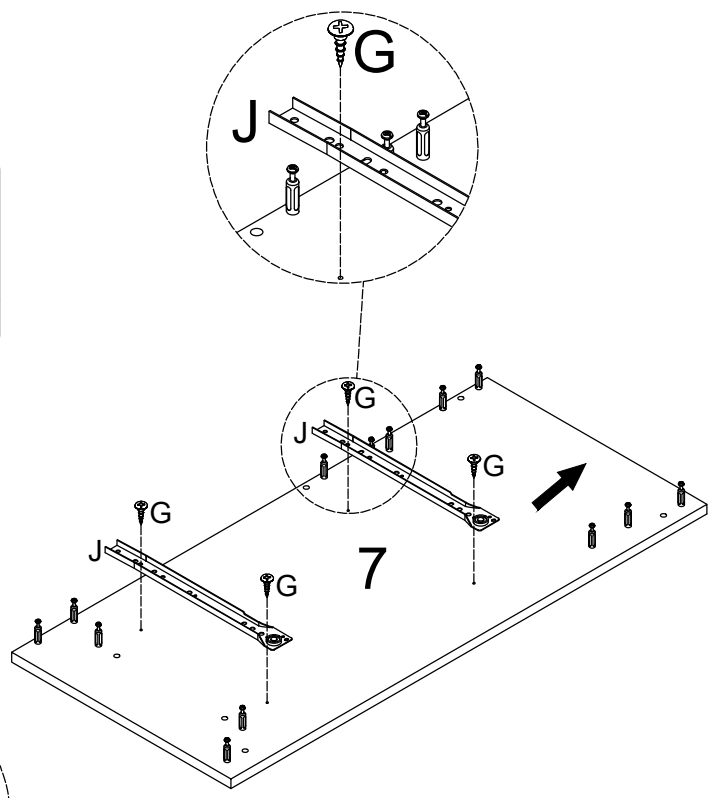
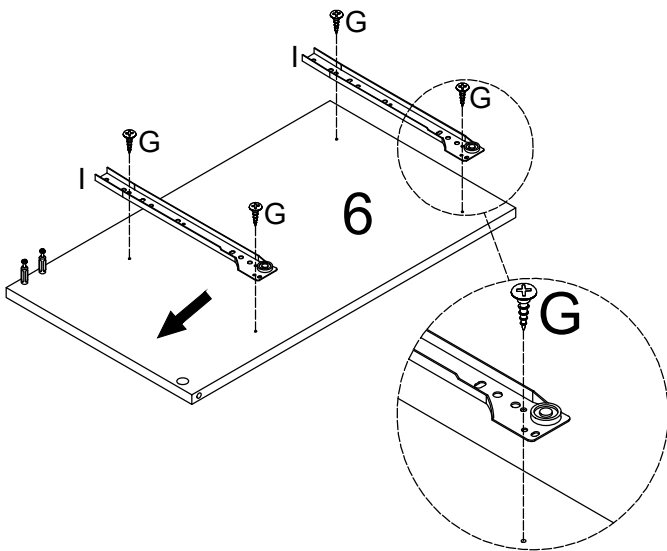
Q 2PC

# STEP 1




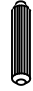
# STEP 2

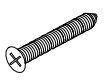
					
ø3*12mm					
G	8PC	I	2PC	J	2PC

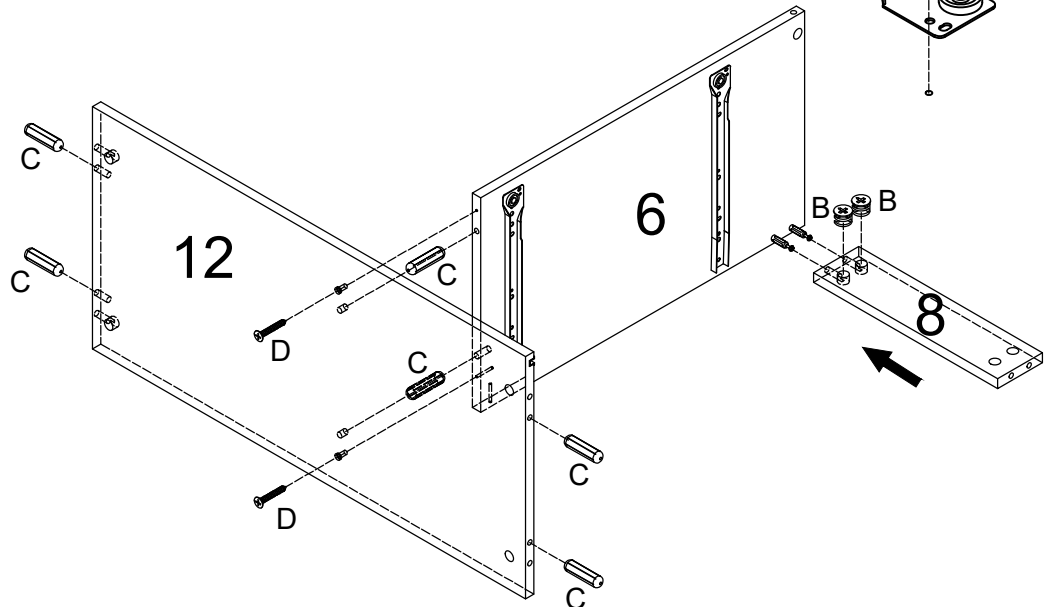


# STEP 3

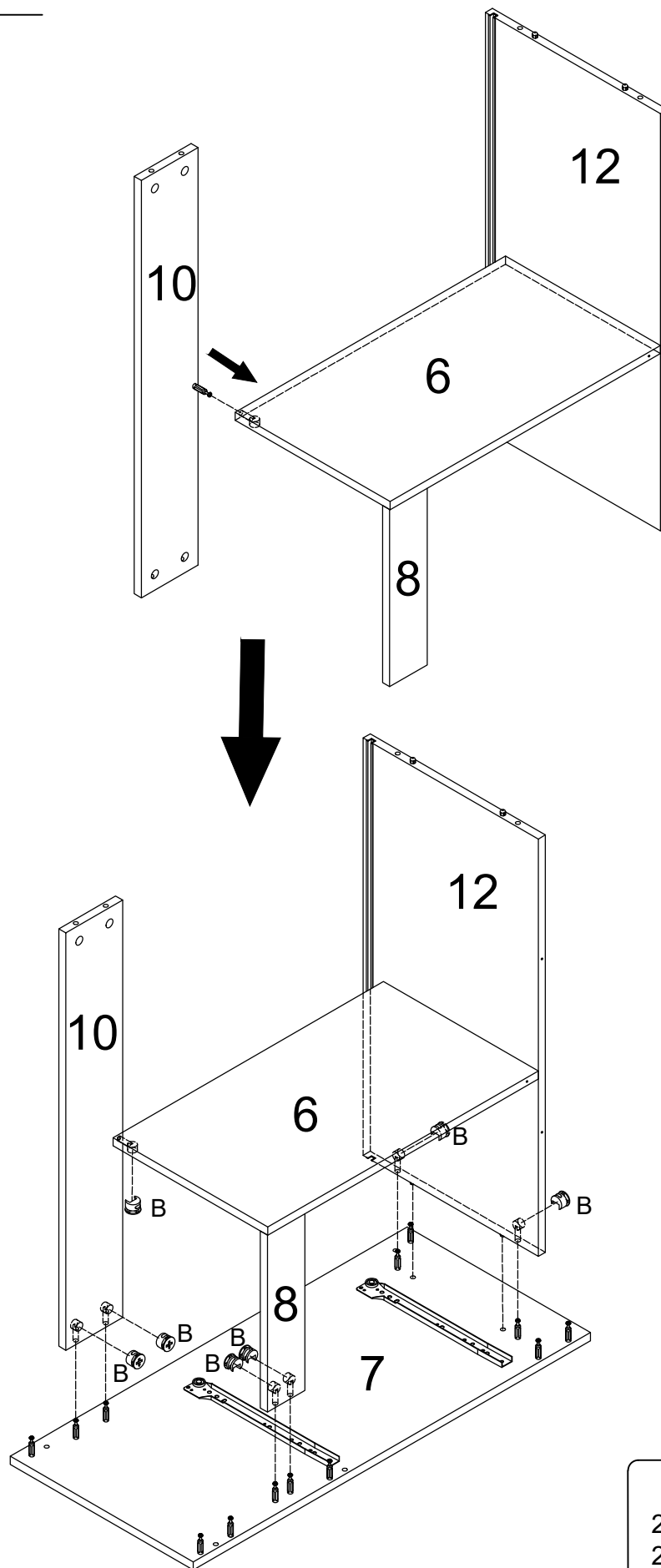
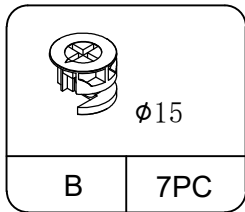
	
ø15	
B	2PC

	
ø8*30mm	
C	6PC

	
ø4*40mm	
D	2PC

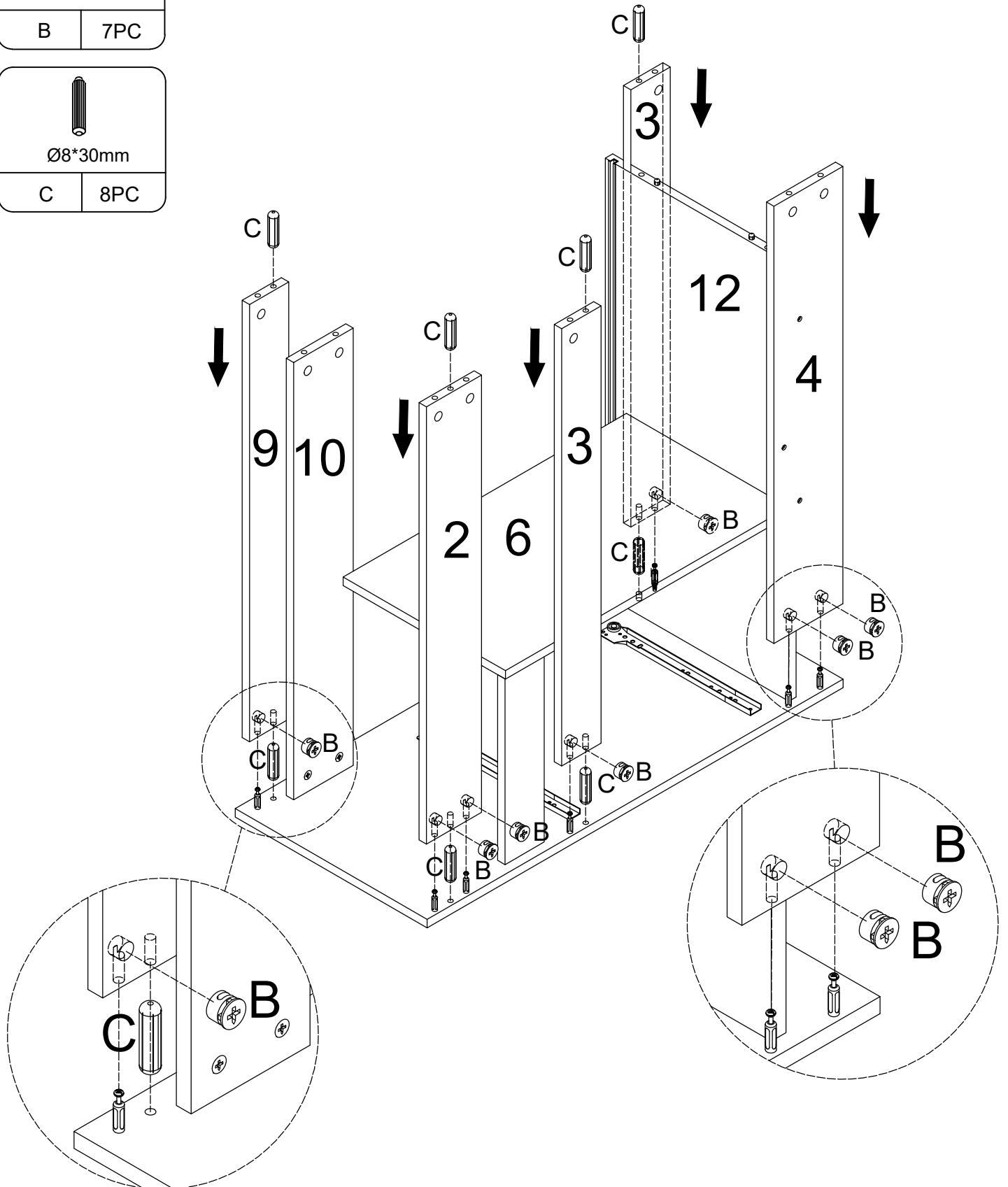
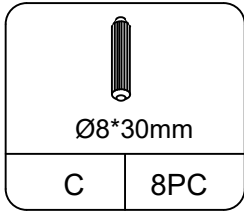
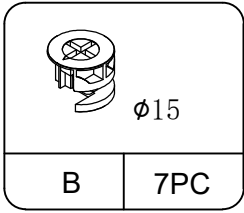


# STEP 4

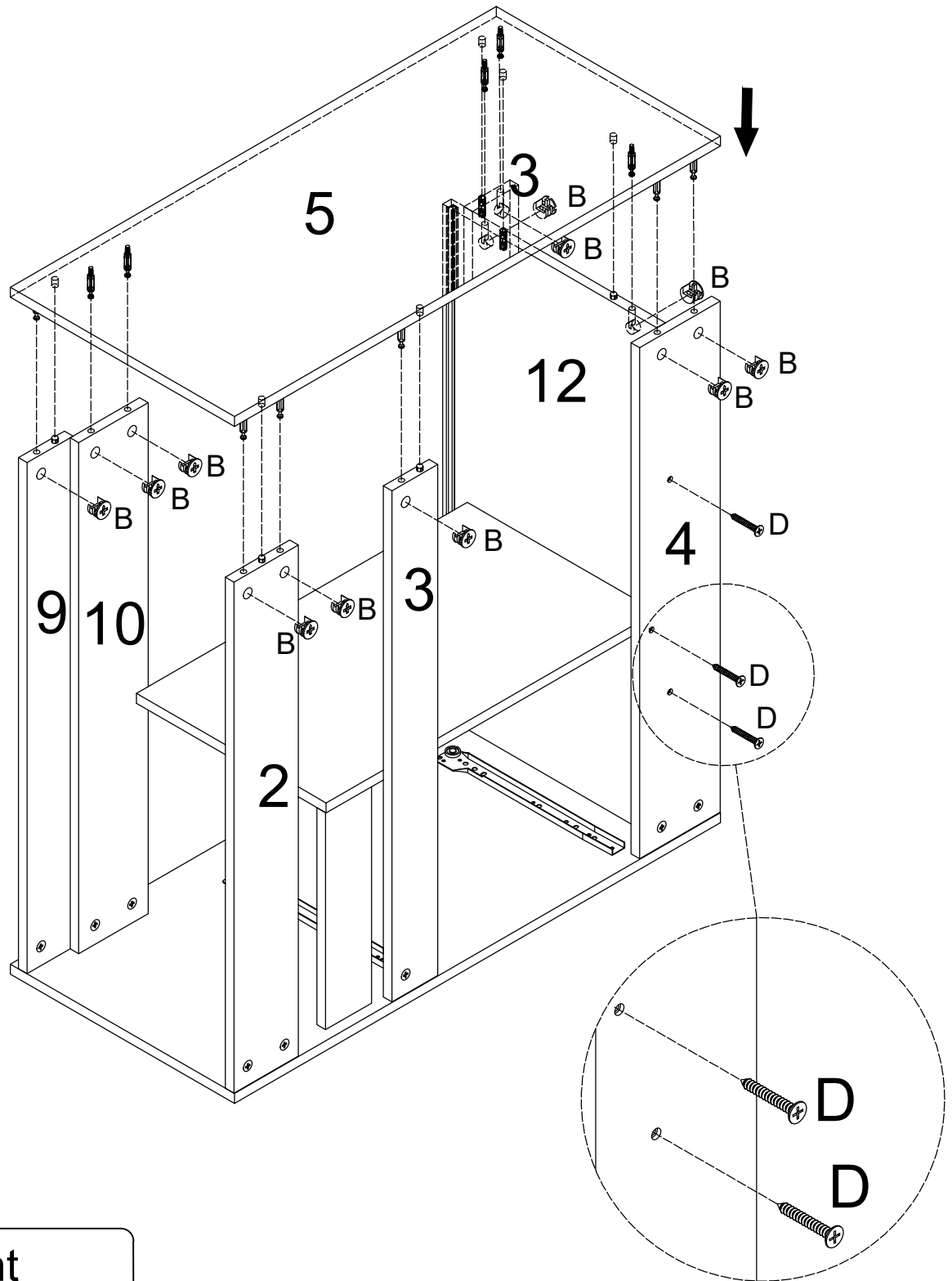
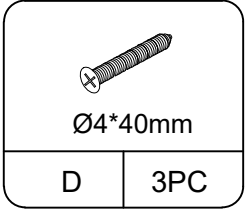
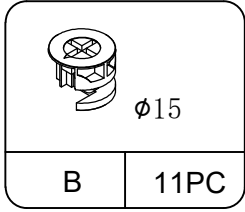


**Important**  
2 people required  
2 personnes requises  
2 personas requeridas

# STEP 5

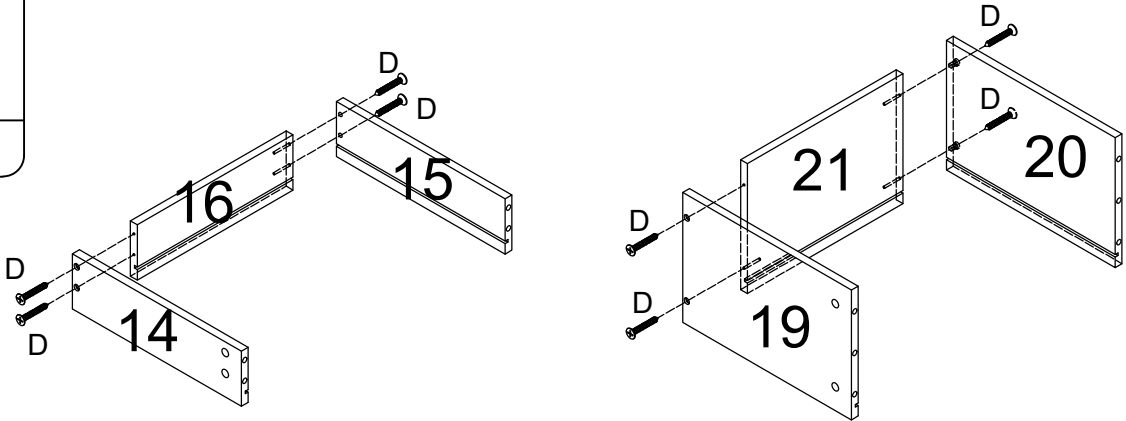
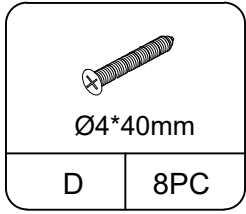


# STEP 6

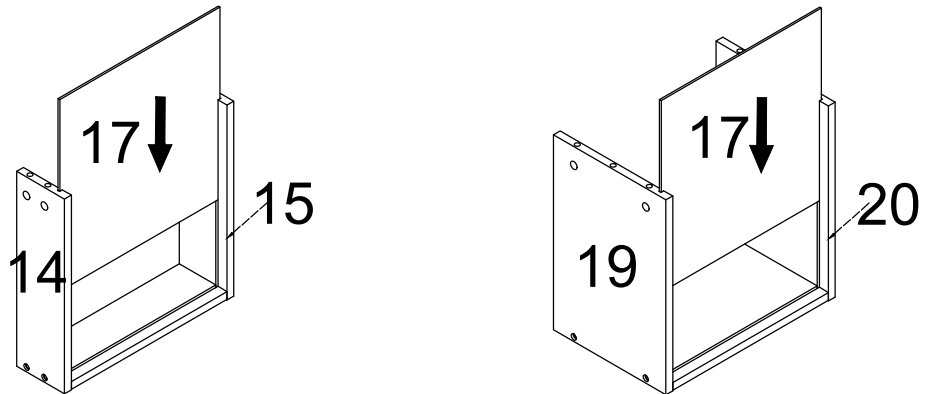


**Important**  
2 people required  
2 personnes requises  
2 personas requeridas

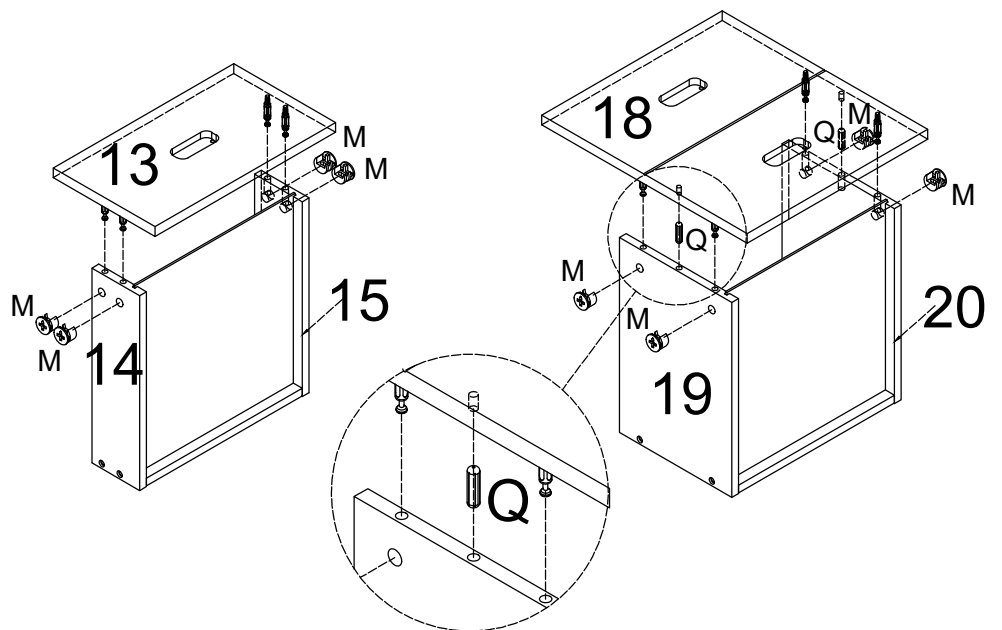
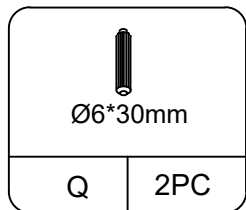
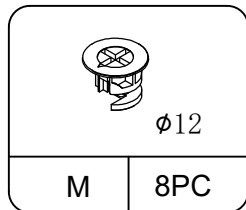
# STEP 7



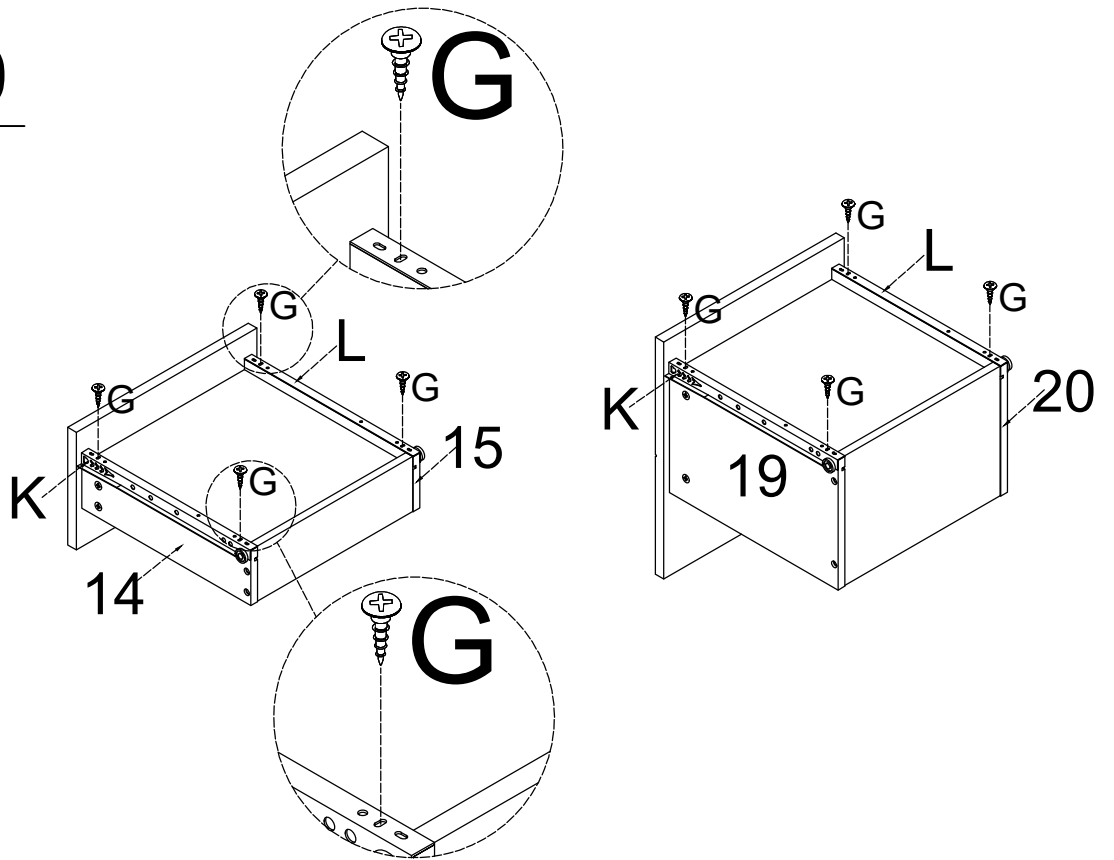
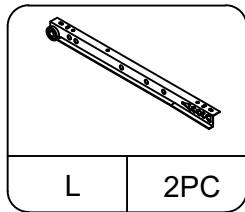
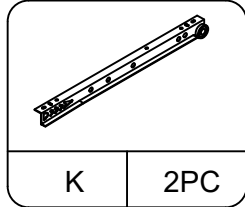
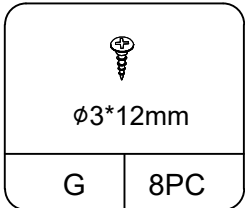
# STEP 8



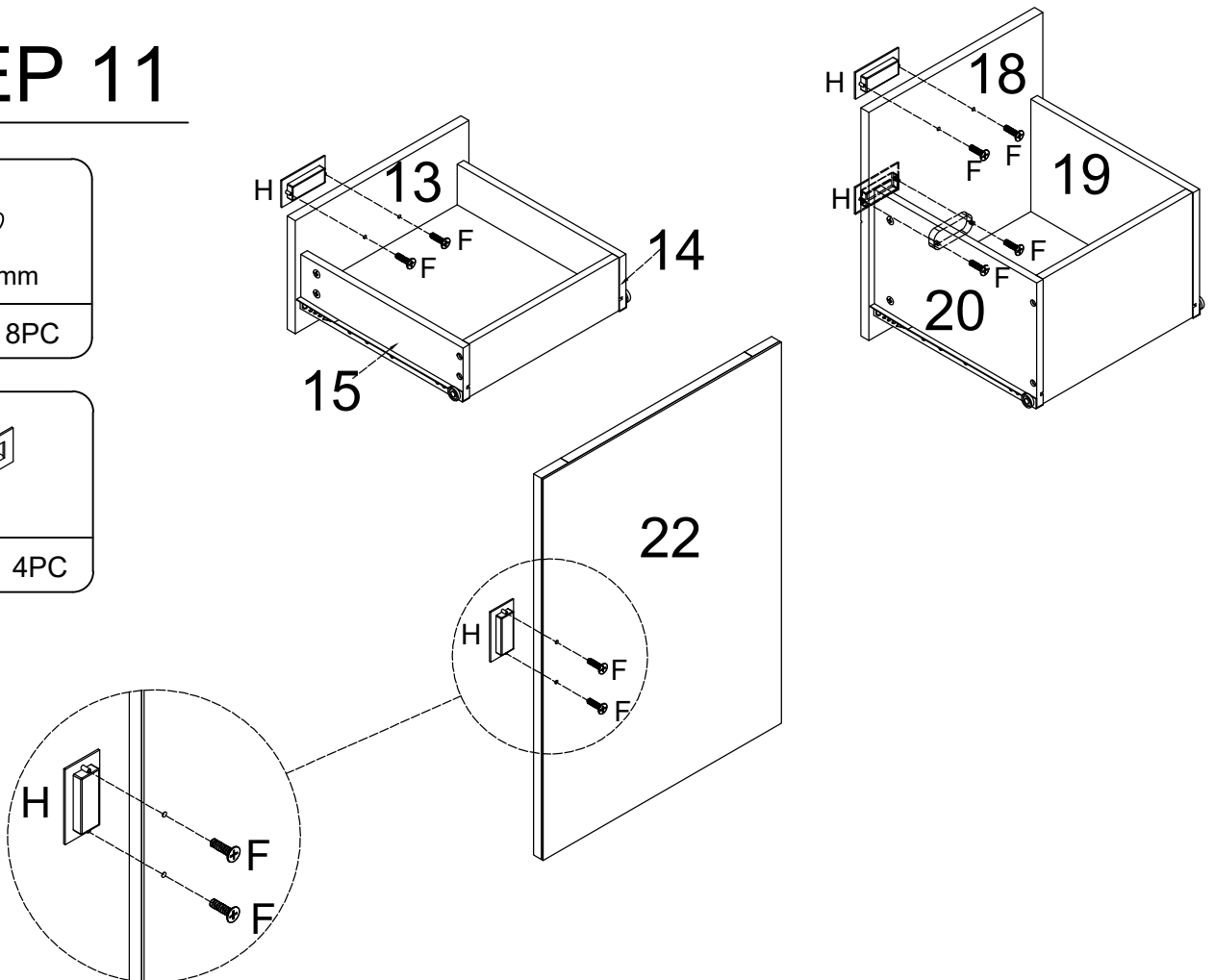
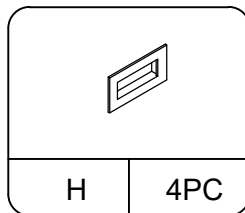
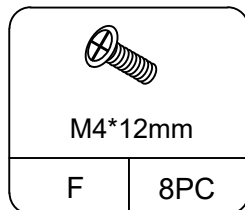
# STEP 9



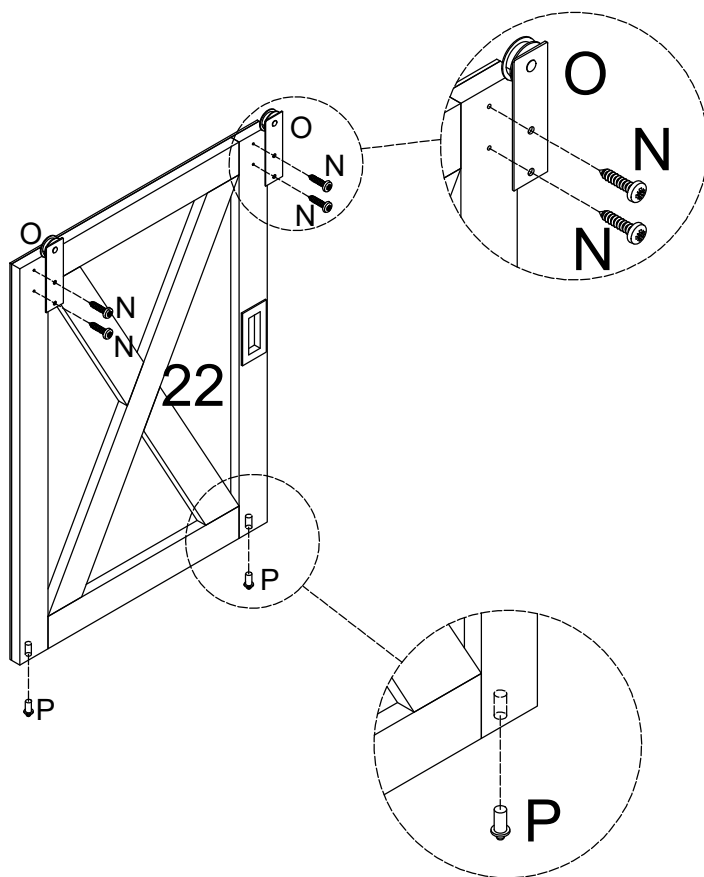
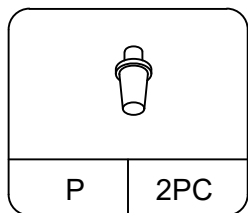
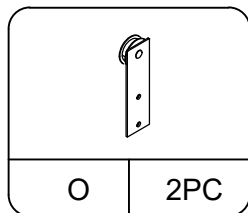
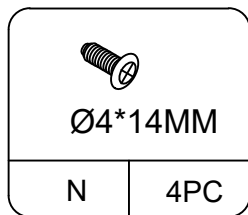
# STEP 10



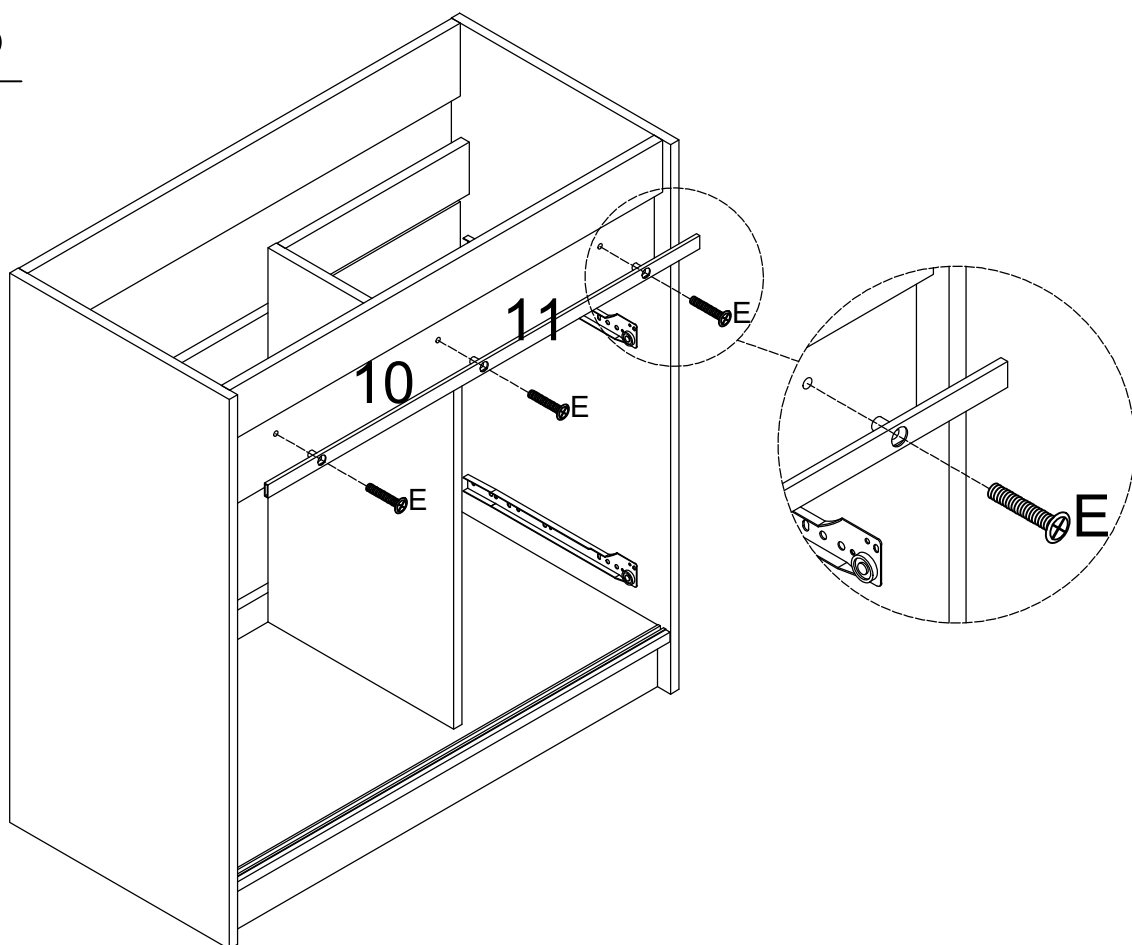
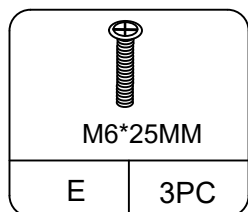
# STEP 11



# STEP 12

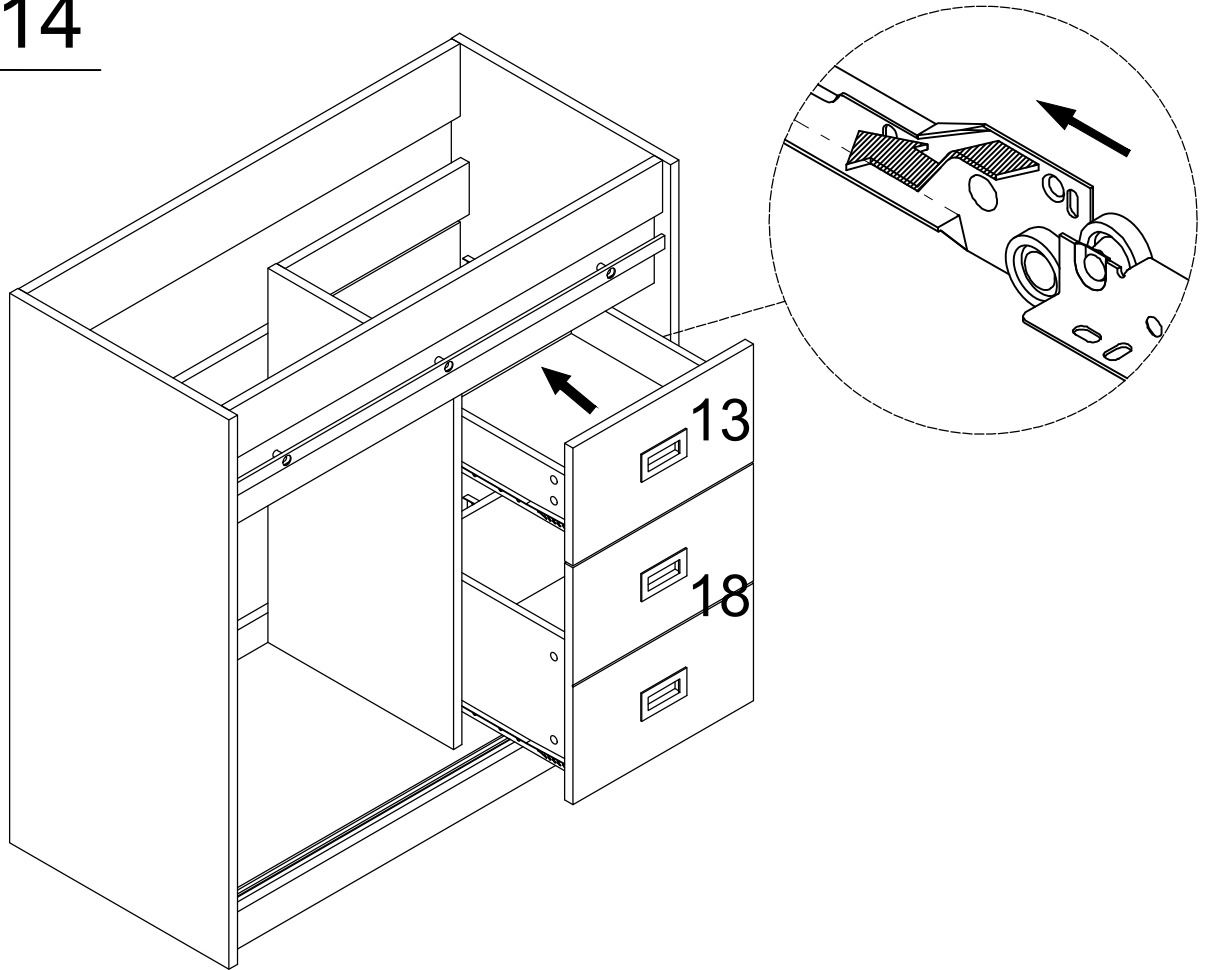


# STEP 13



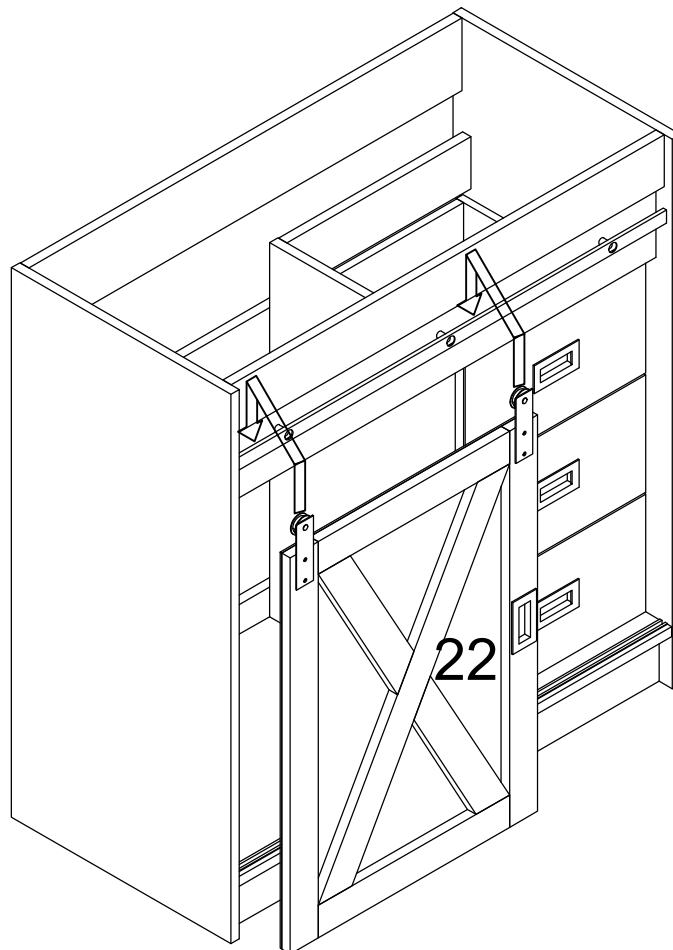
# STEP 14

---

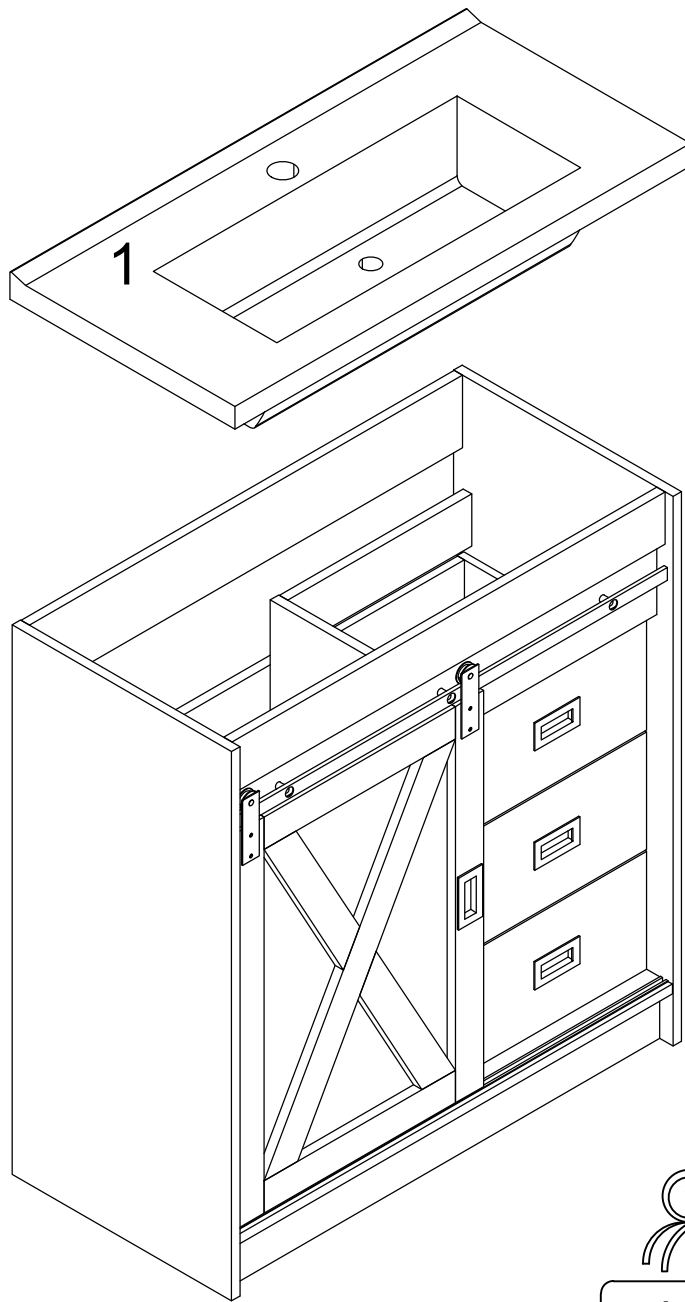


# STEP 15

---



# STEP 16



**Important**  
2 people required  
2 personnes requises  
2 personas requeridas