

# TABLE OF CONTENTS

---

01 Important Safety Instructions

01 Tools Needed

---

02 Parts List

03 Assembly

---

14 Warranty Information

---

## IMPORTANT SAFETY INSTRUCTIONS

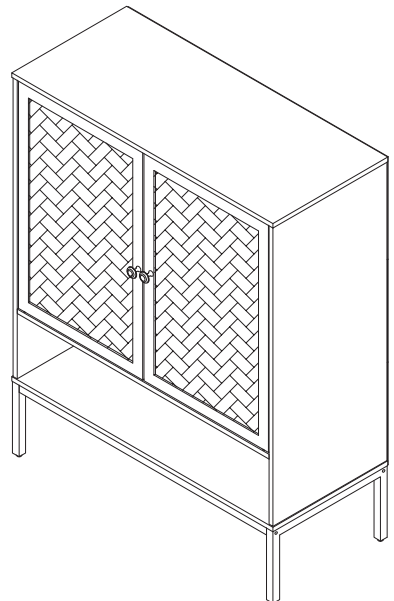
- Check if all the parts are complete before installation.
- Read through the instructions before installing the cabinet.
- Keep the small parts away from children to avoid the risk of swallowing.

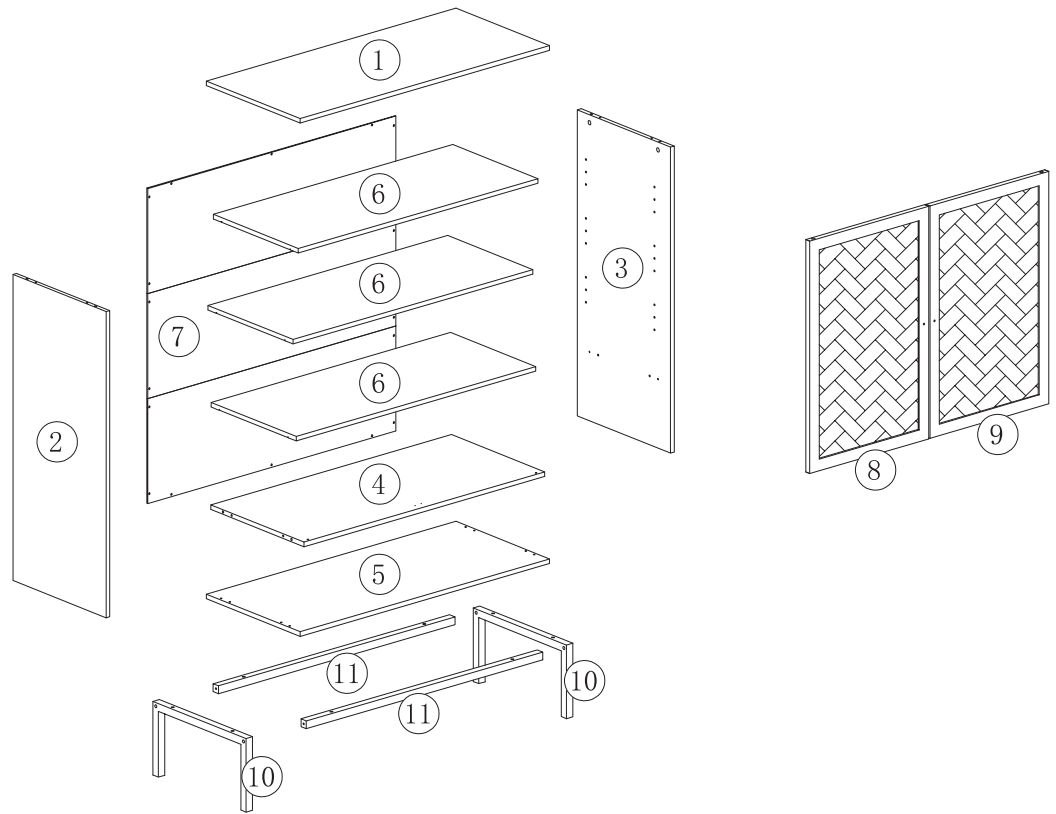
## TOOLS NEEDED

Screws Driver -1PC

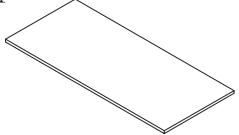
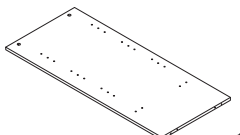
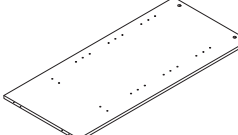
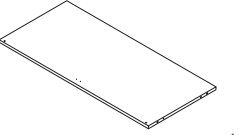
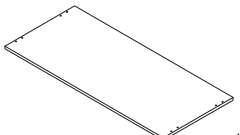
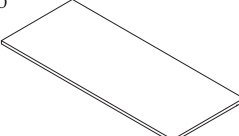
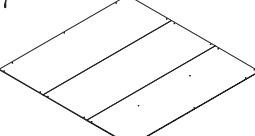
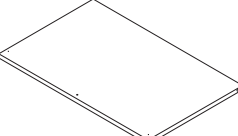
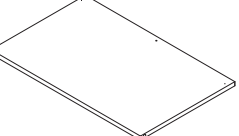
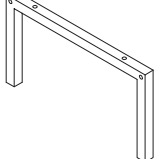
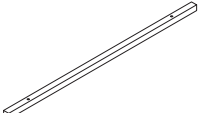


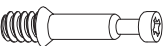

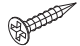

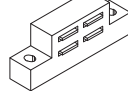

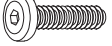



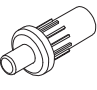



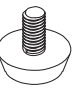





( Not included)



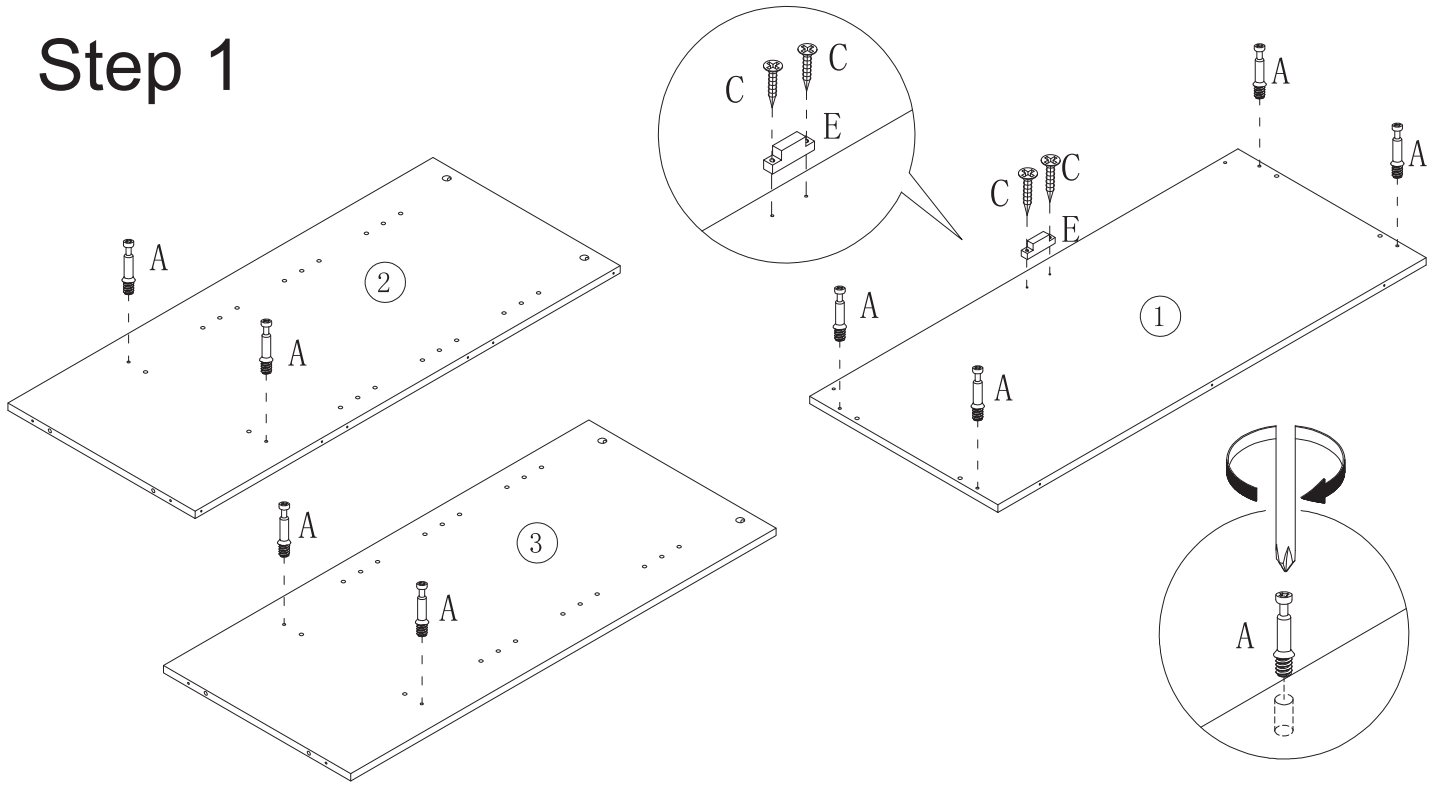


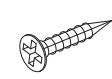
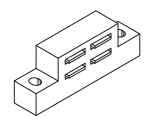
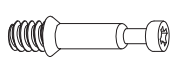
## Parts List

1  x 1	2  x 1	3  x 1	4  x 1	5  x 1
6  x 3	7  x 1	8  x 1	9  x 1	10  x 2
11  x 2				

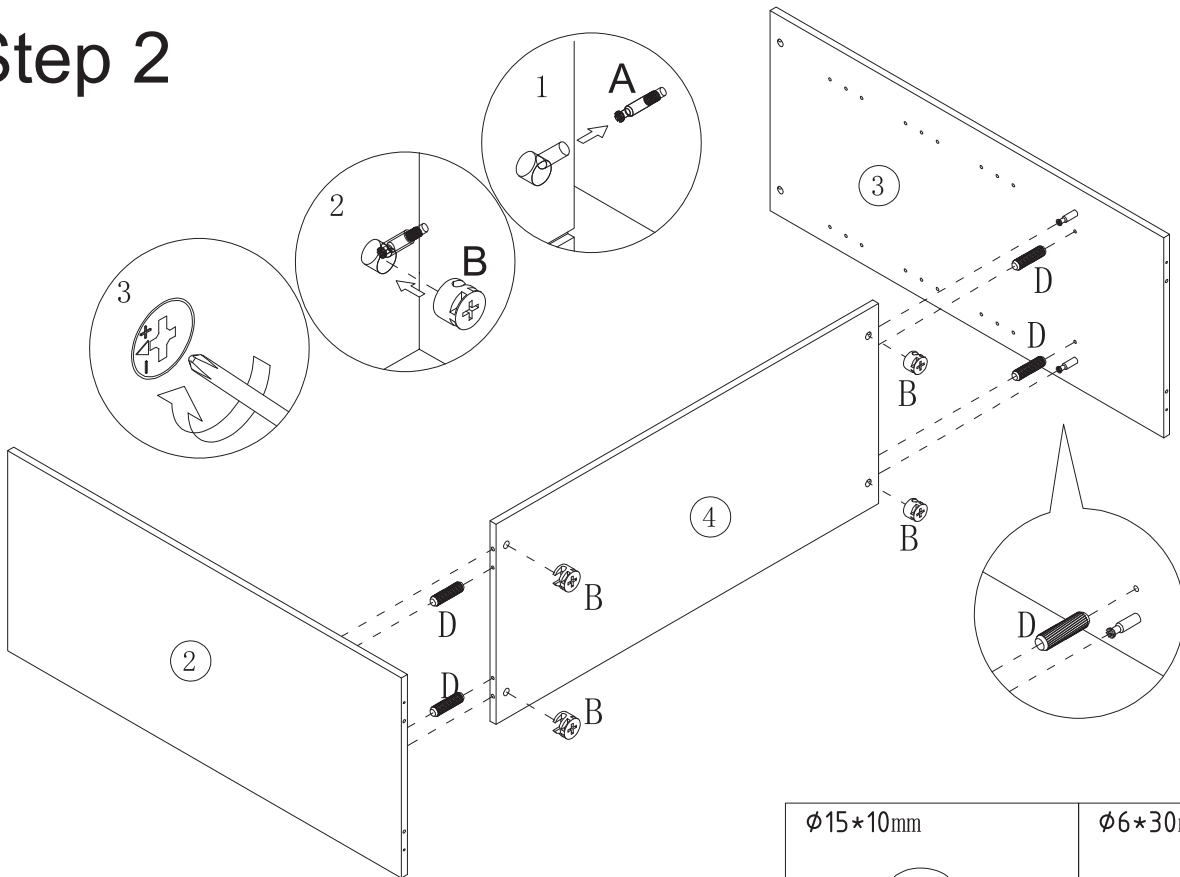
A  x 8	B  x 8	C  x 4	D  x 12	E  x 2	F  x 20
G  x 8	H  x 4	I  x 4	J  x 4	K  x 4	L  x 12
M  x 2	N  x 2	O  x 4	P  x 1	Q  x 2	R  x 6
S  x 2	T  x 2				



# Step 1



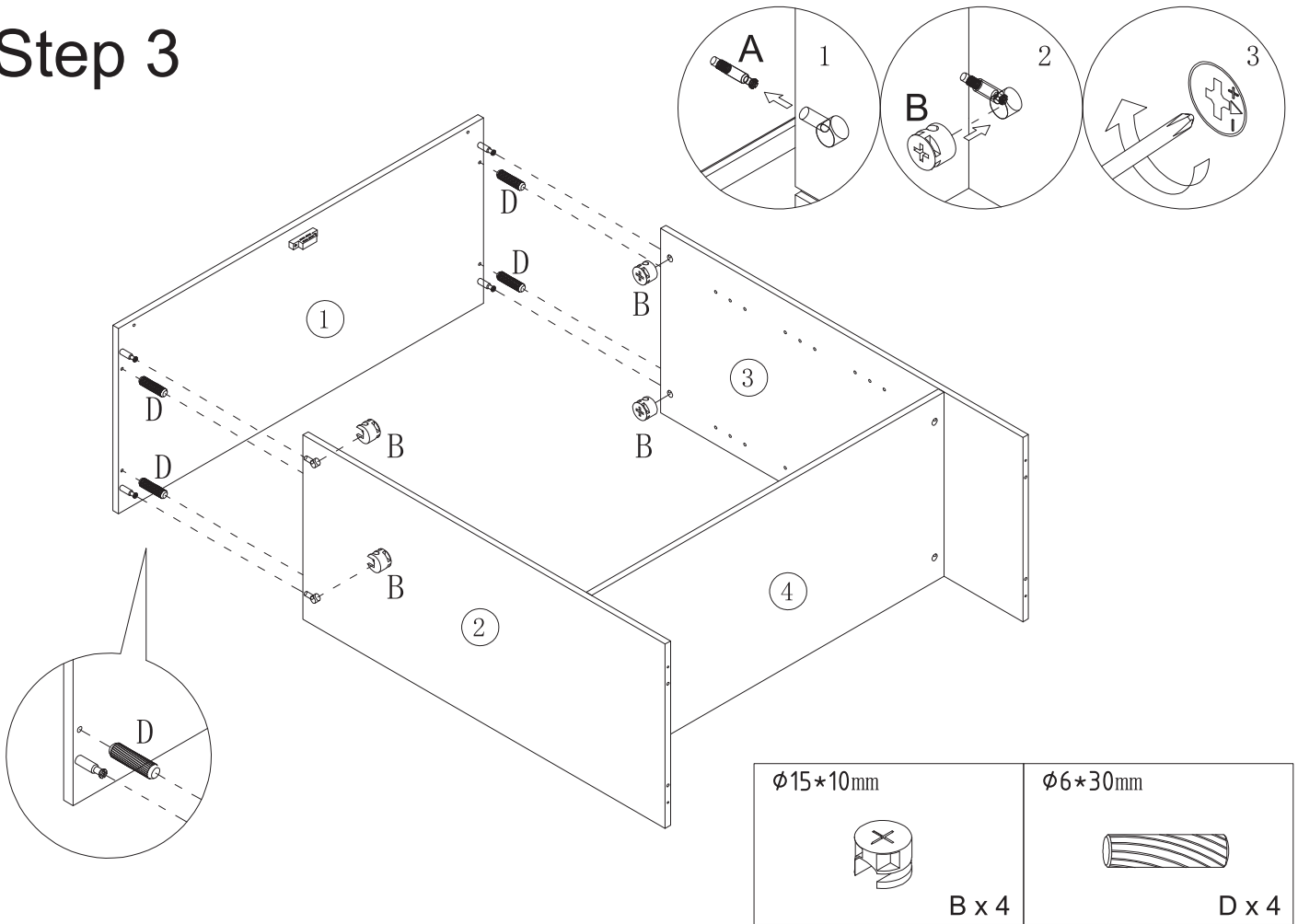
<p><math>\phi 3 \times 16 \text{mm}</math></p>  <p>C x 2</p>	 <p>E x 1</p>	<p><math>\phi 6 \times 28 \text{mm}</math></p>  <p>A x 8</p>
--	--	--

# Step 2

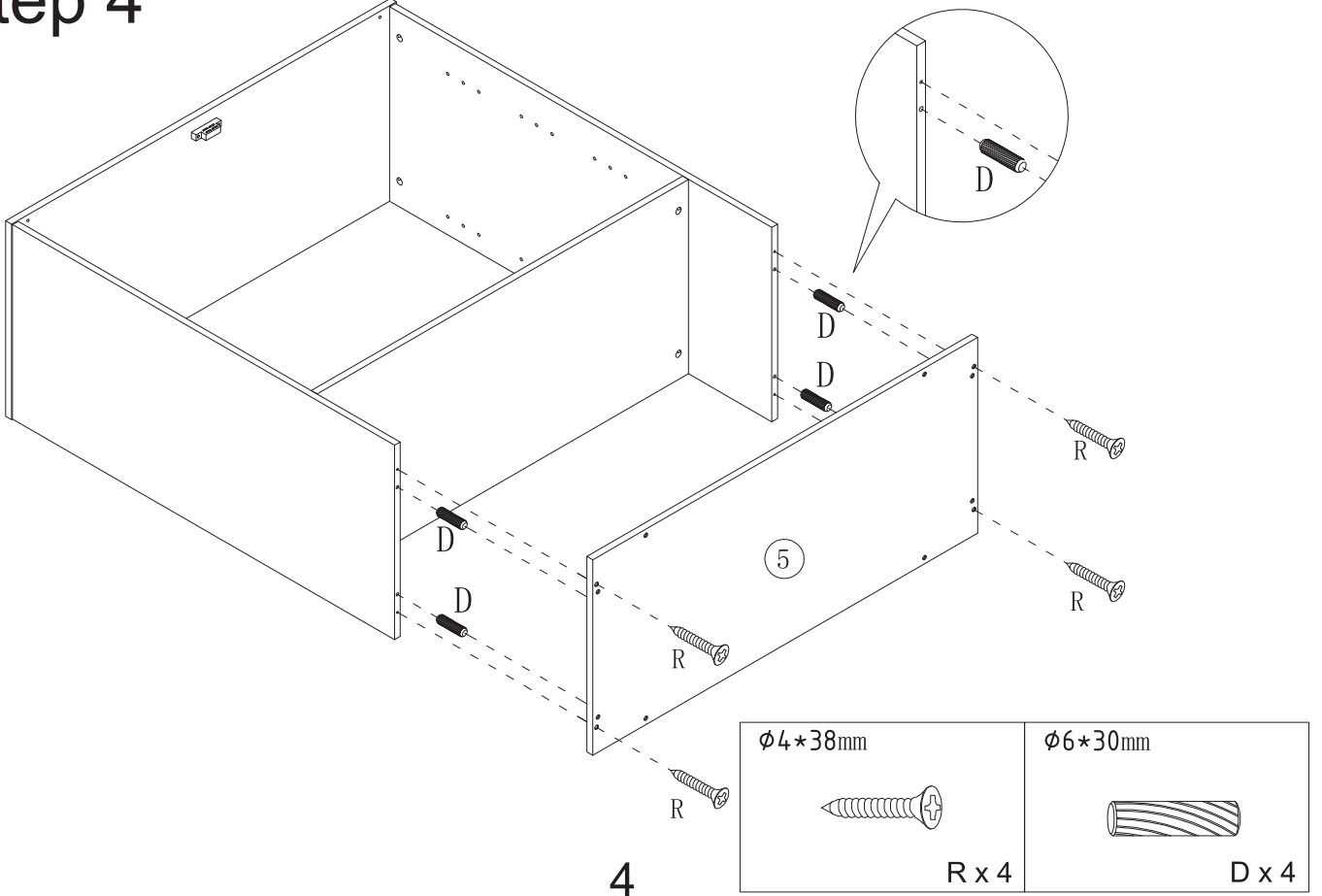


<p><math>\phi 15 \times 10 \text{mm}</math></p>  <p>B x 4</p>	<p><math>\phi 6 \times 30 \text{mm}</math></p>  <p>D x 4</p>
--	---

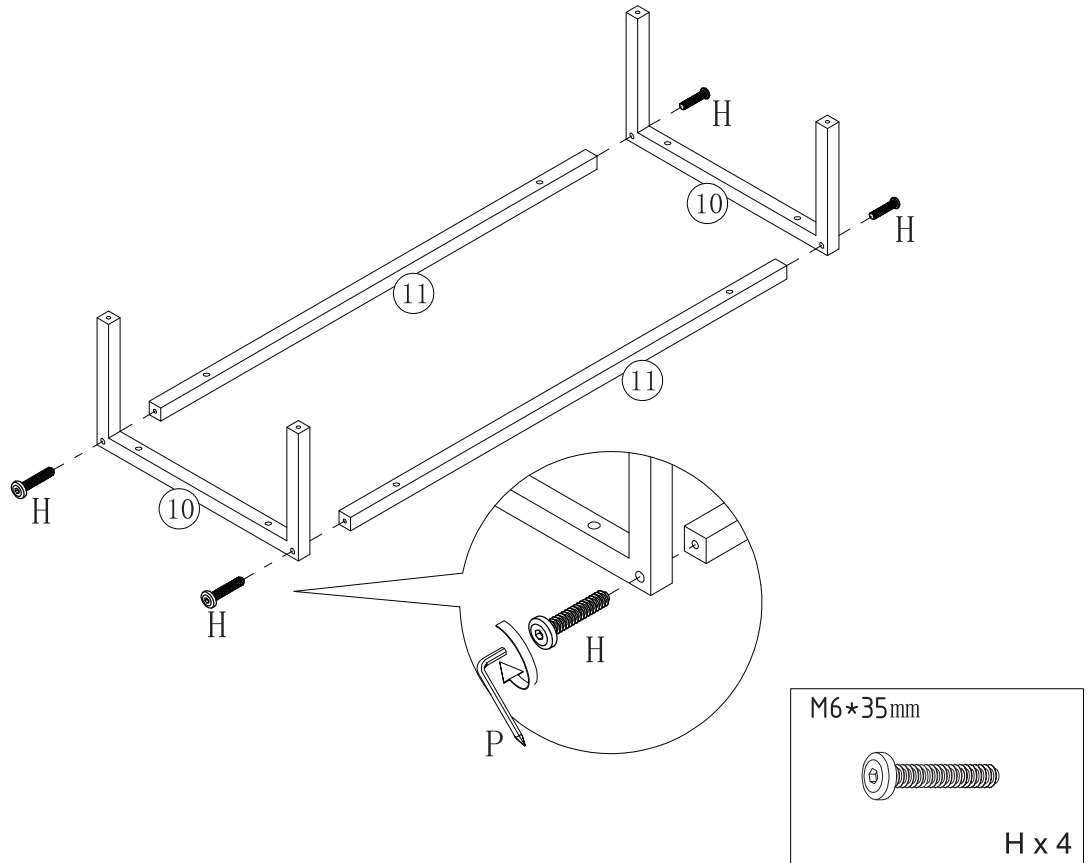
# Step 3



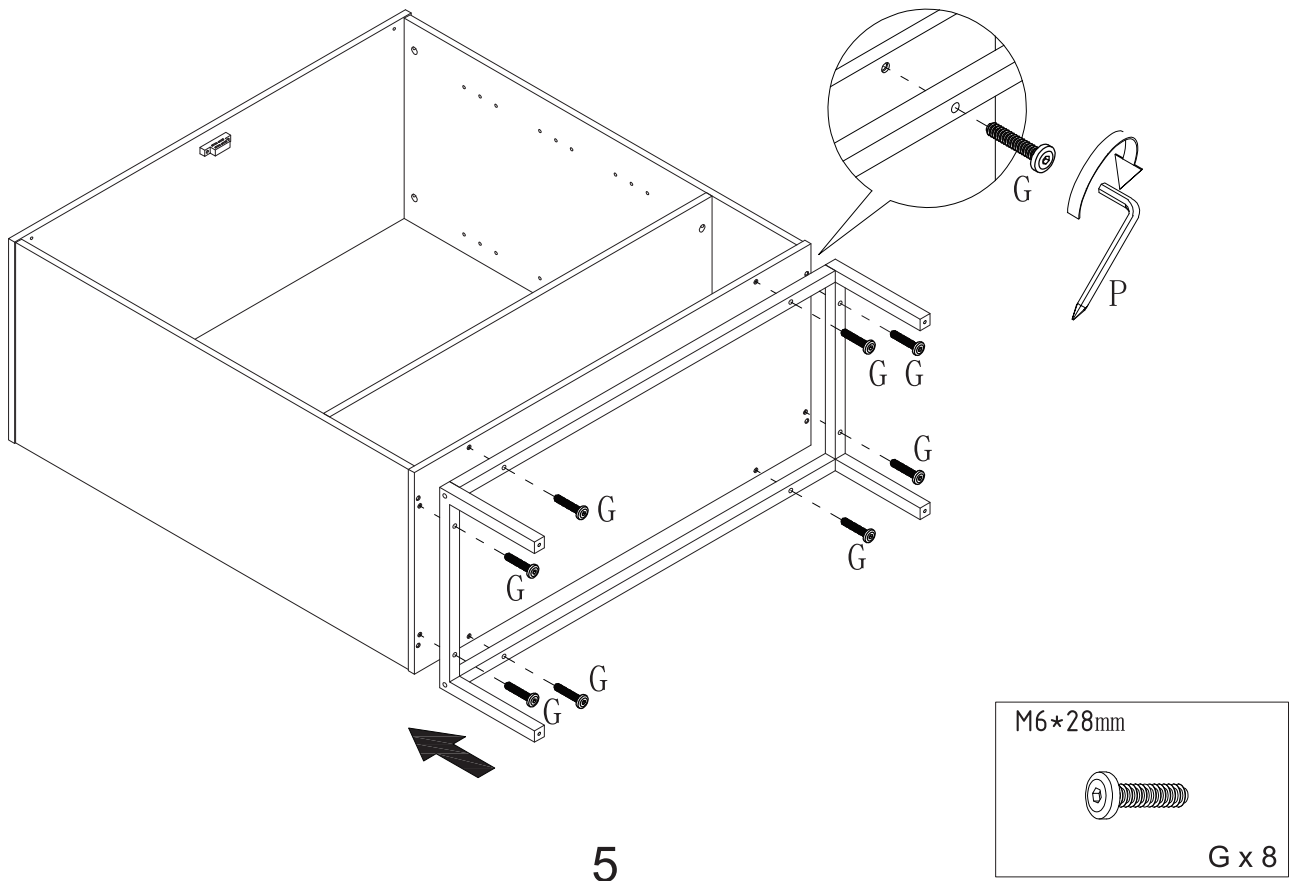
# Step 4



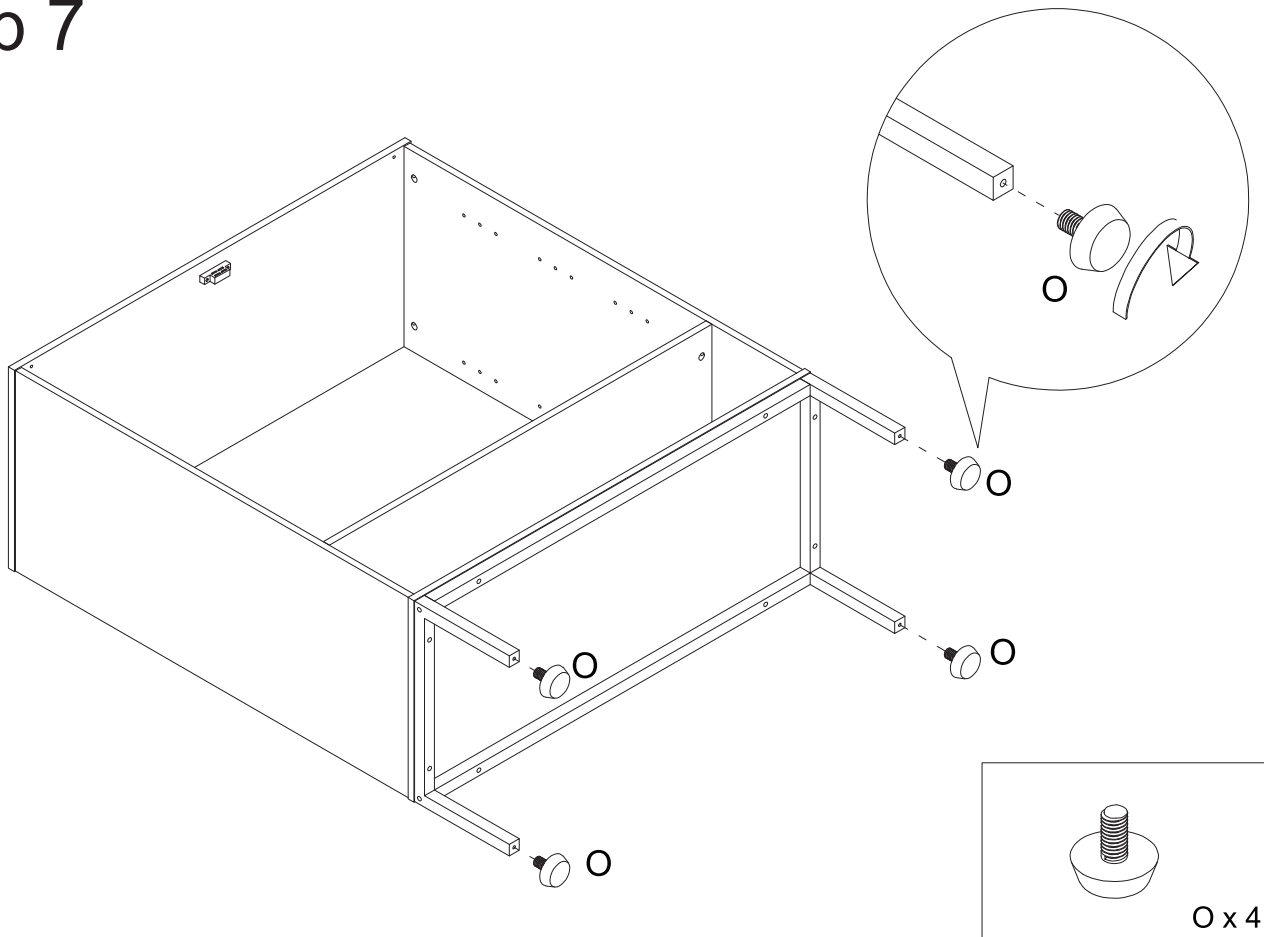
# Step 5



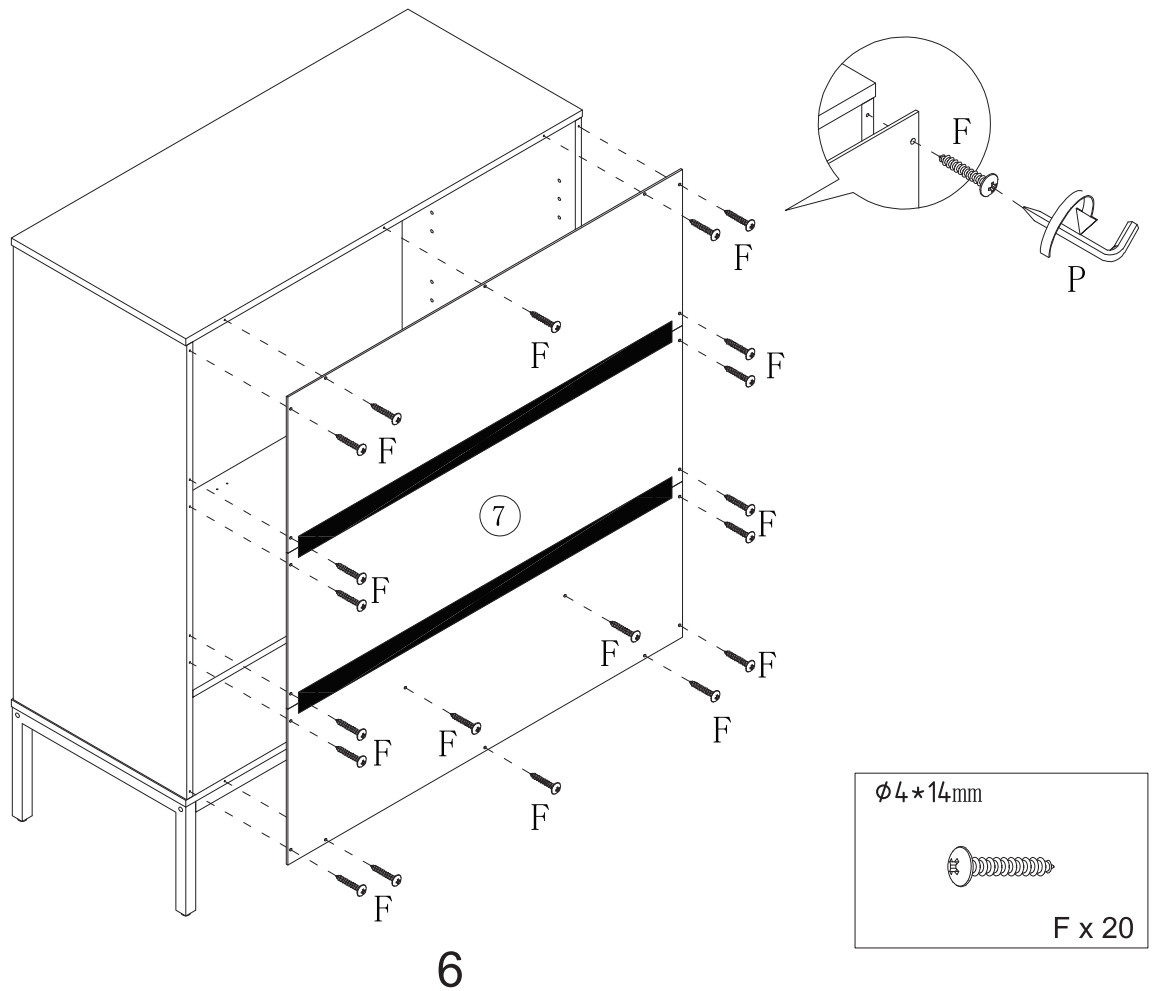
# Step 6



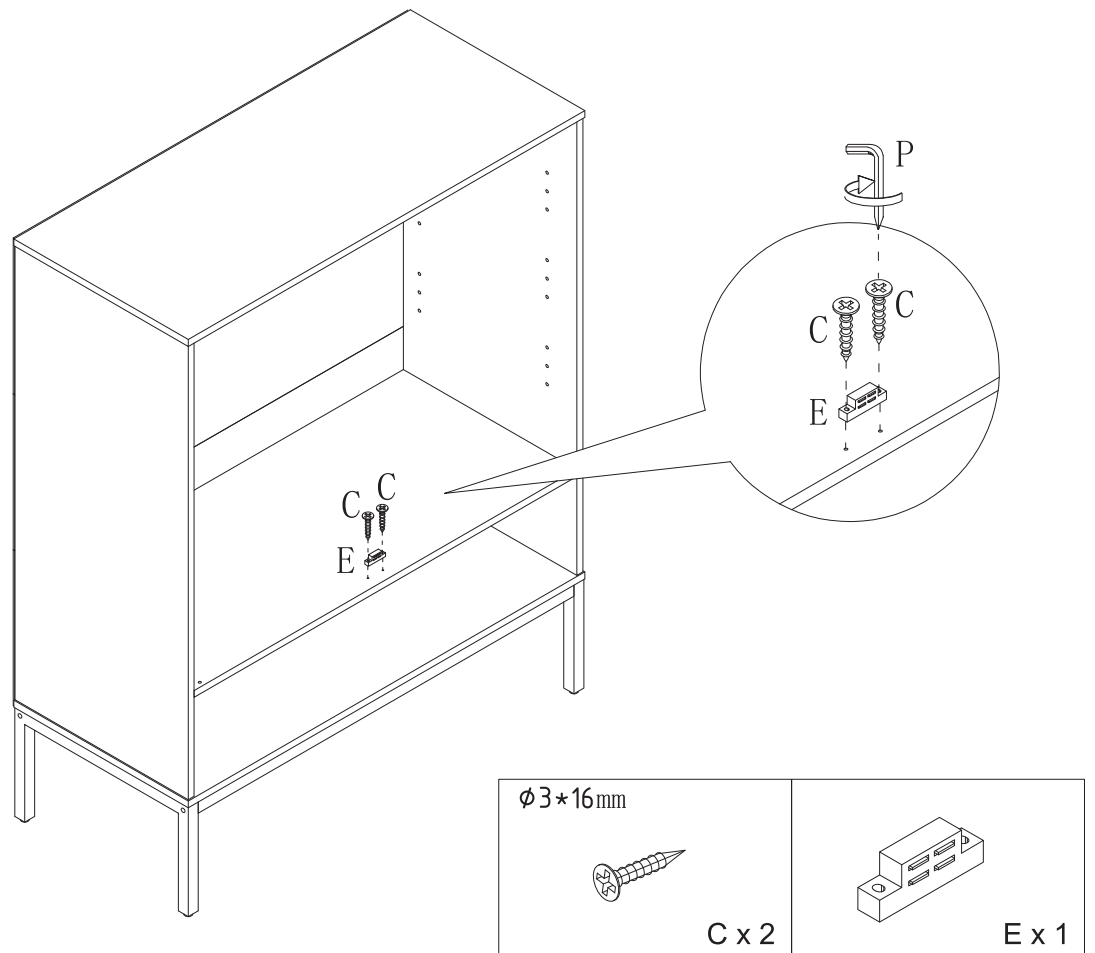
# Step 7



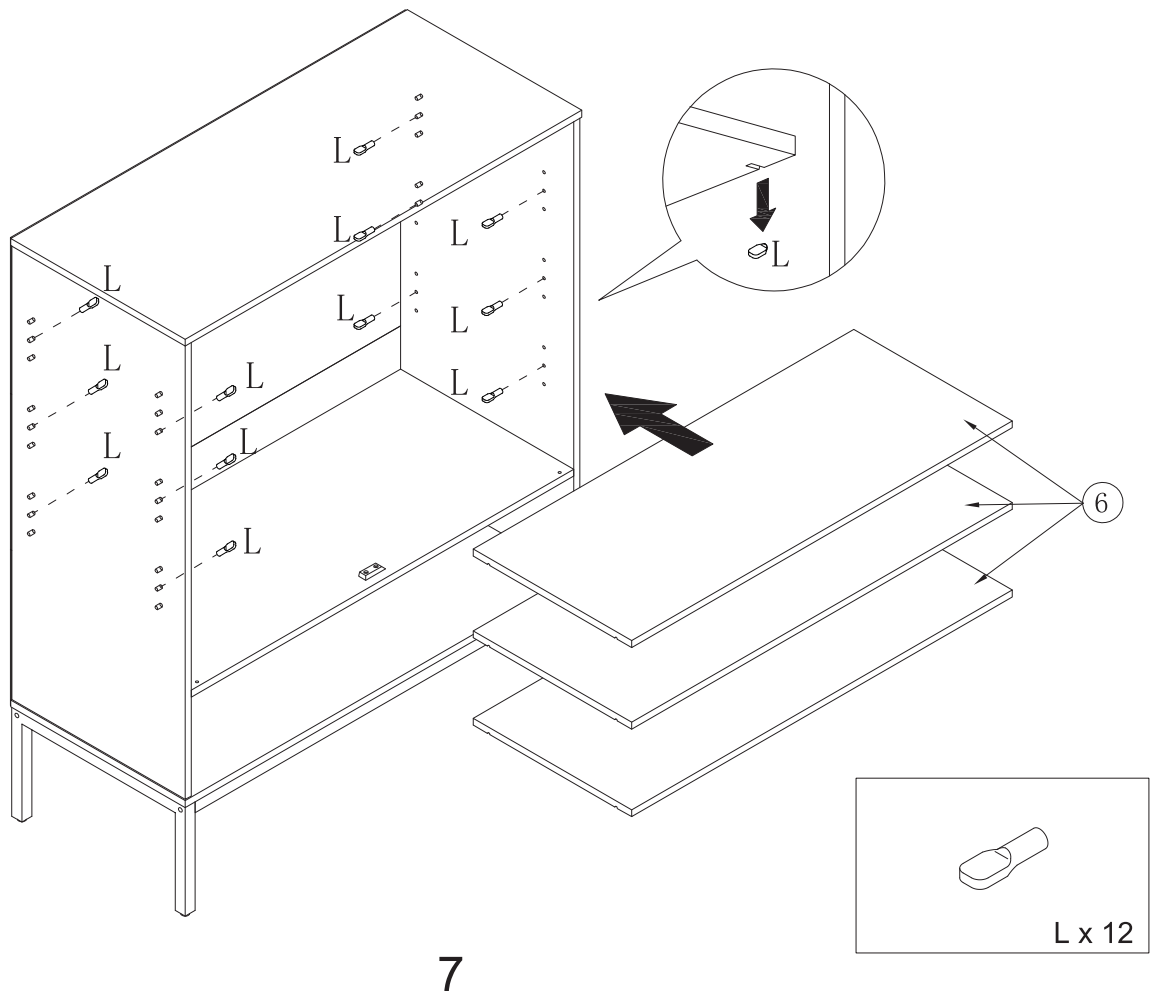
# Step 8



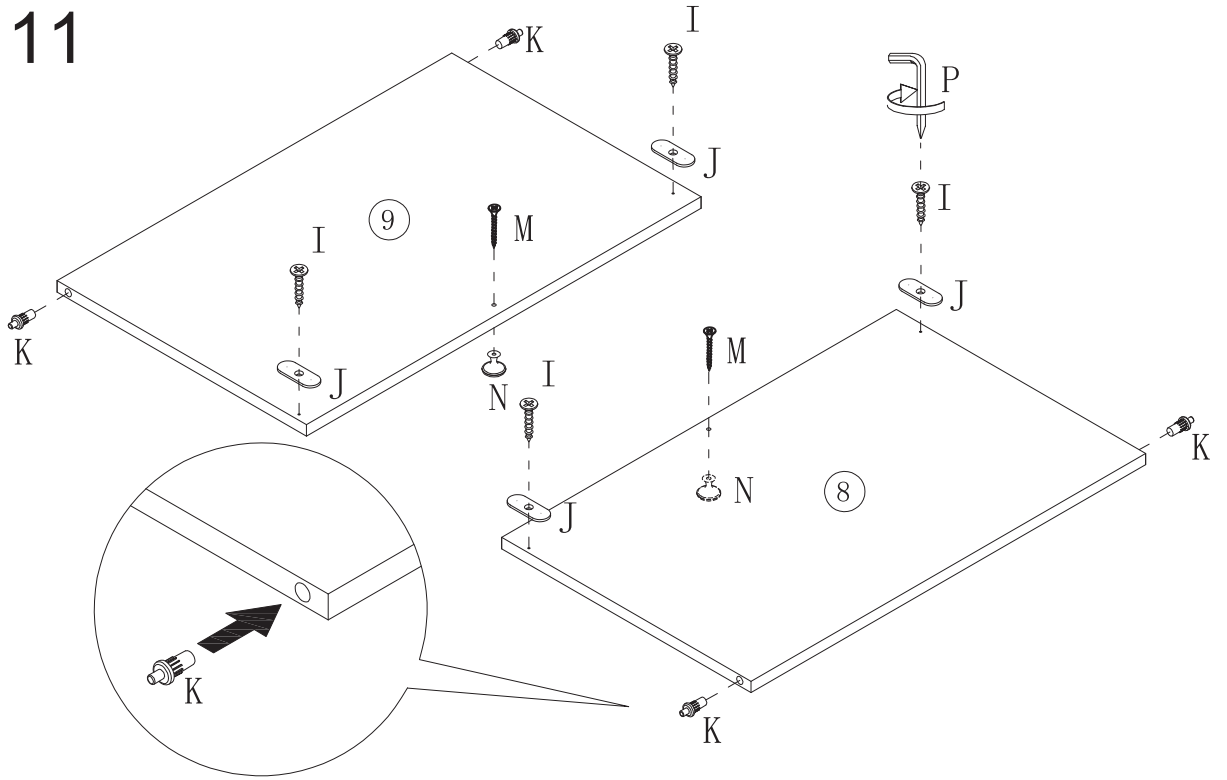
# Step 9

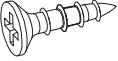

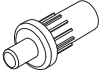




# Step 10

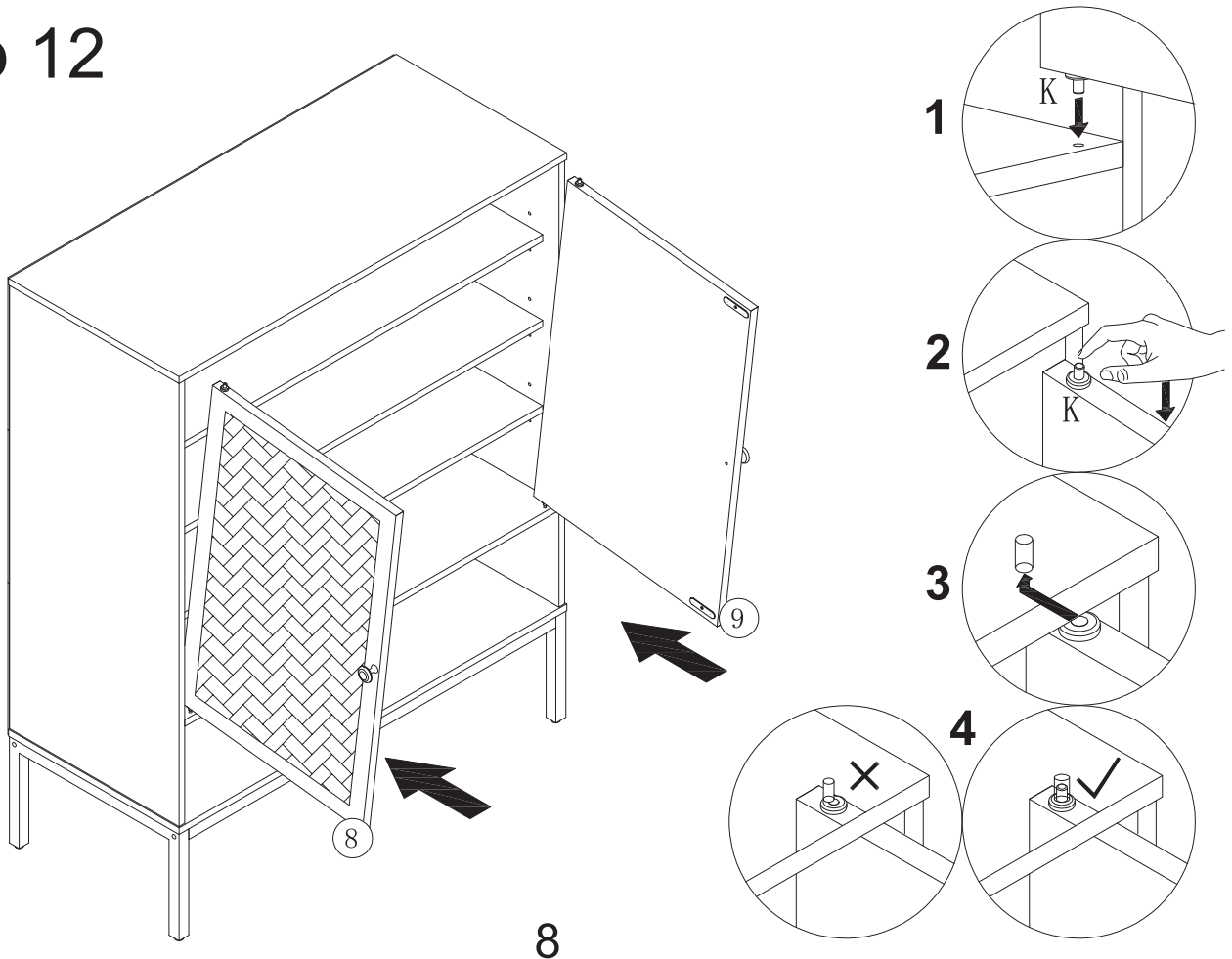


# Step 11



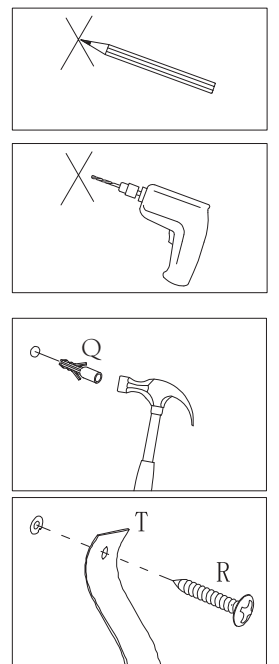
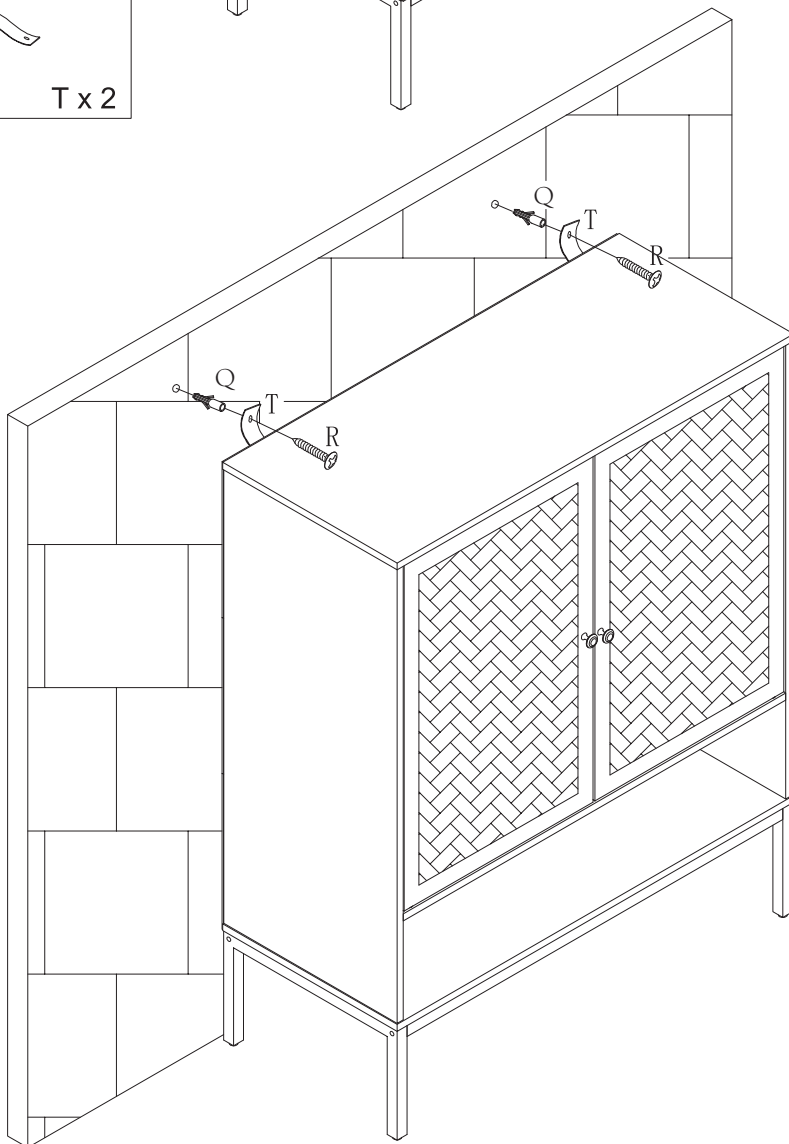
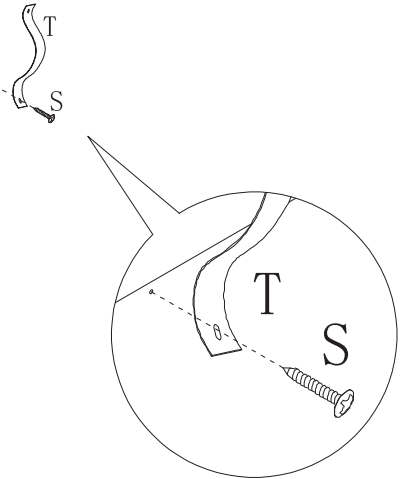
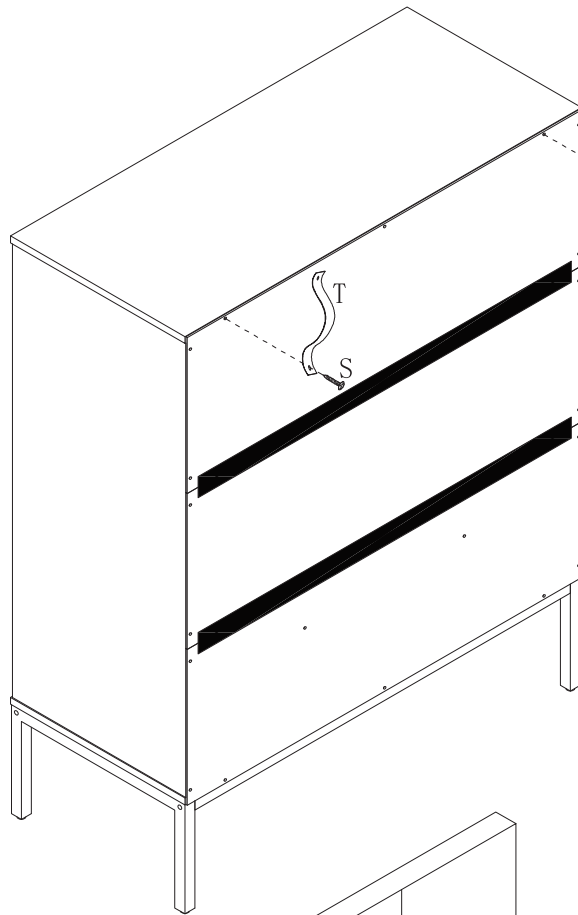
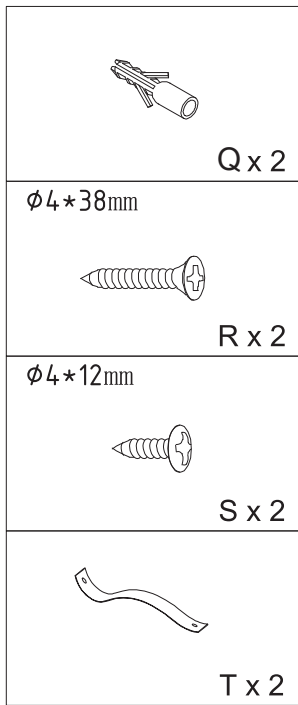
$\phi 3.5 \times 12\text{mm}$  I x 4	 J x 4	$\phi 12 \times 25\text{mm}$  K x 4	$M4 \times 30\text{mm}$  M x 2	 N x 2
--	---	---	--	---

# Step 12



8

# Step 13



## WARRANTY INFORMATION

- Do not expose the surfaces to direct sunlight or to extreme environmental conditions.
- Clean the surfaces preferable with a clean damp cloth, then dry with a clean towel.
- Do not use solvents or abrasive materials to clean the unit. If you decide to use a cleaning agent, test first on an area hidden from view.
- Do not use solvents or abrasive materials to clean the unit. If you decide to use a cleaning agent, test first on an area hidden from view.
- Replacement parts might be available to you at no charge, with an original proof of purchase and where a defect has arisen, wholly or substantially, as a result of faulty manufacturing, parts or workmanship during the Warranty Period.
- The warranty does not extend to regular wear and tear, nor the manufacturer assumes liability for damages or consequences due to accidents, incorrect assembly, negligence, improper use, modifications, or not heeding the above warnings.

Thank you so much for your support! We hope you enjoy your purchase. If there is any damage or missing accessories, please feel free to contact us for free replacement or refund. We will try our best to solve this problem for you

Thank you!