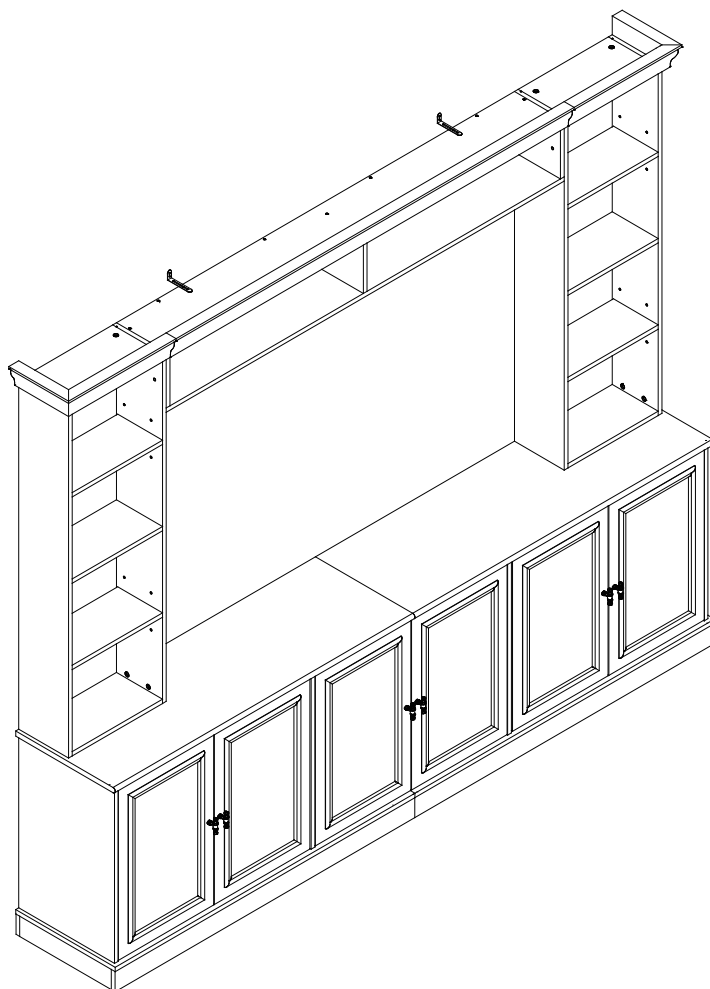


TV Stand

Assembly Instructions - Please keep for future reference

N721P379049 / N721P379050 / N721P379051



Dimensions

Width- 97.1inch

Depth- 15.75inch

Height- 77.95inch



WARNING



This product is NOT a Clothing Storage Unit (CSU).
DO NOT use it for clothing storage.
Improper use may cause furniture tipover.

Important – Please read these instructions fully before starting assembly



Safety and Care Advice

Important – Please read these instructions fully before starting assembly

- Check you have all the components and tools listed on the following pages.
- Remove all fittings from the plastic bags and separate them into their groups.
- Keep children and animals away from the work area, small parts could choke if swallowed.
- Make sure you have enough space to layout the parts before starting.

- During assembly do not stand or put weight on the product, this could cause damage.
- Assemble the item as close to its final position (in the same room) as possible.
- Assemble on a soft level surface to avoid damaging the unit or your floor.
- Parts of the assembly will be easier with 2 people.



power drill is set on a low torque setting.

- To reduce the likelihood of damaging your product please ensure that your

Care and maintenance

- Only clean using a damp cloth and mild detergent, do not use bleach or abrasive cleaners.
- From time to time check that there are no loose screws on this unit.
- This product should not be discarded with household waste. Take to your local authority waste disposal centre.

Handy Hints

- Assemble all parts and bolts loosely during assembly, only once the product is complete should you fully tighten the bolts
- Regularly check and ensure That all bolts and fittings are tightend properly.

WARNING
In order to help prevent overturning – please follow these instructions

To help prevent product toppling over please follow the below steps:-

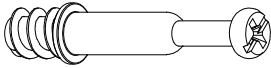
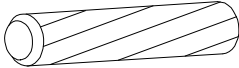
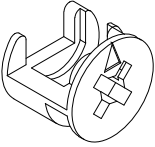

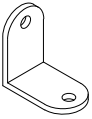
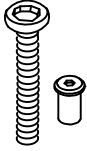

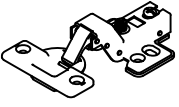
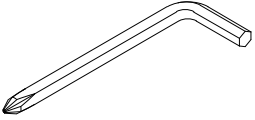
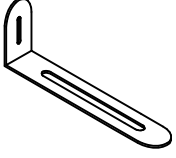
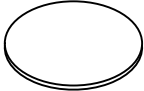

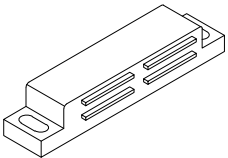
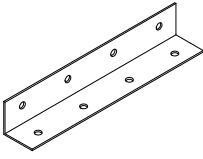
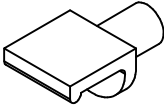


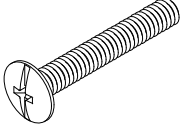
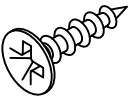
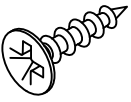
- Use the anti tip stap or wall fixing method provided (if applicable)
- Do not allow children to climb or hang on the furniture
- Do not open more than one drawer at a time
- Do not place heavy items in the top drawers
- Do not place heavy items on top of the furniture, unless the furniture has been designed for this purpose

Components - Fittings

Please check you have all the panels listed below

Note: The quantities below are the correct amount to complete the assembly. In some cases, more fittings may be supplied than required.

HARDWARE BOX INSIDE BOX 3

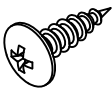
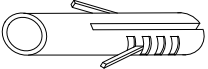
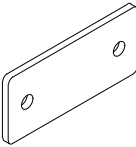
<p>A QTY: 72+2</p> 	<p>B QTY: 48+2</p>  <p>Ø6*30mm</p>	<p>C QTY: 72+2</p> 	<p>D QTY: 16+1</p>  <p>Ø8*25mm</p>
CAM BOLT	WOOD DOWEL	CAM LOCK	FLAT HEAD SCREW
<p>E QTY: 2</p> 	<p>F QTY: 4</p> 	<p>G QTY: 37+2</p>  <p>Ø8*38mm</p>	<p>H QTY: 12</p> 
L BRACKET	BOLT AND BARREL NUT	FLAT HEAD SCREW	HINGES
<p>I QTY: 1</p> 	<p>J QTY: 3</p> 	<p>K QTY: 16</p> 	<p>L QTY: 12</p>  <p>Ø6*40mm</p>
HEX KEY	ANTI-TIP L BRACKET	PERFECT FIT	WOOD DOWEL
<p>M QTY: 3</p> 	<p>N QTY: 2</p> 	<p>O QTY: 28</p> 	<p>P QTY: 6</p> 
MAGNET	CONNECTING L BRACKET	SHELF SUPPORT PIN	HANDLE
<p>Q QTY: 6</p> 	<p>R QTY: 6</p>  <p>Ø8*19mm</p>	<p>S QTY: 96+2</p>  <p>Ø7*15mm</p>	<p>T QTY: 12</p>  <p>Ø6*12mm</p>
MAGNET PLATE	HANDLE FIXING BOLT	FLAT HEAD SCREW	FLAT HEAD SCREW

Components - Fittings

Please check you have all the panels listed below

Note: The quantities below are the correct amount to complete the assembly. In some cases, more fittings may be supplied than required.

HARDWARE BOX INSIDE BOX 3

<p>U QTY: 3</p>  <p>Ø7*15mm</p>	<p>V QTY: 3</p> 	<p>W QTY: 2</p> 	
<p>PAN HEAD SCREW</p>	<p>ANCHOR</p>	<p>STEEL CONNECTING PLATE</p>	

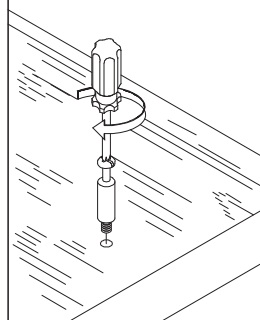
Using Camlocks

Step 1

Connect the male camlock as directed in the assembly instructions using a screwdriver.

1

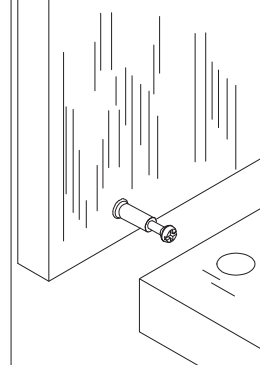
DO NOT OVER TIGHTEN.
NE PAS SERRER EXCESSIVEMENT.



Step 2

Push the male camlock into the entry hole.

2

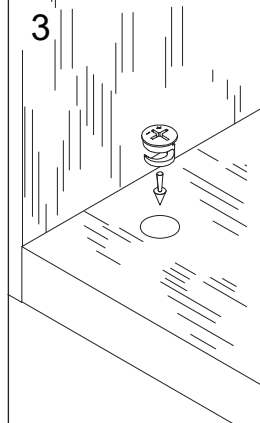


Step 3

Insert the female camlock as shown in the instruction.

Note: ensure that the arrow on the top of the camlock points towards the entry hole for the male camlock.

3



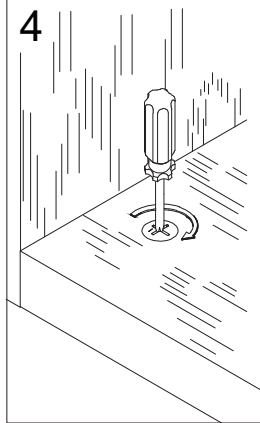
Step 4

Turn the female camlock clockwise with a screwdriver.

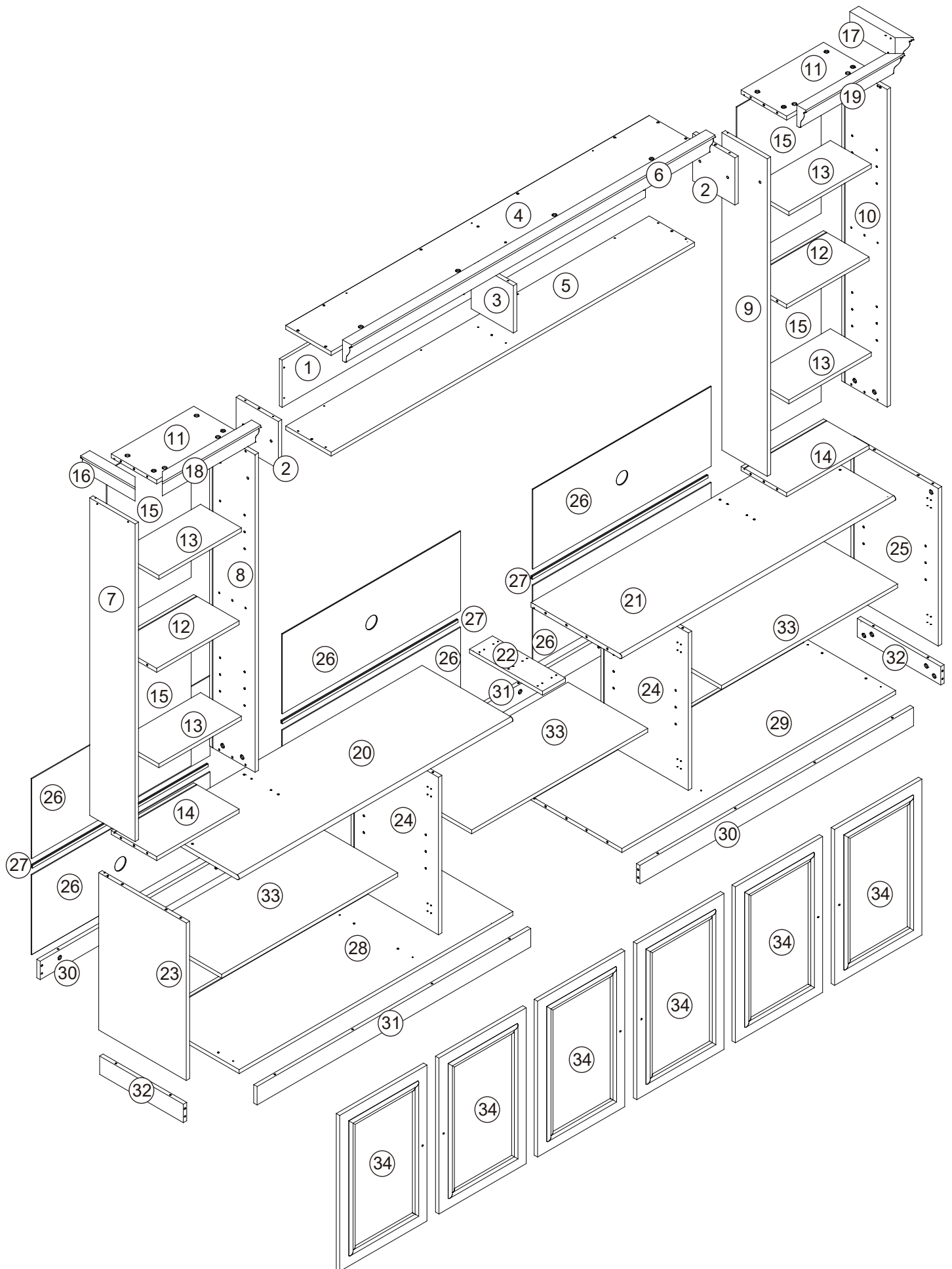
You should feel a click when the camlock is locked in place.

The joint is now secure.

4



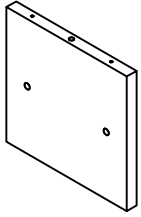
Assembly Instructions



COMPONENTS - KEY DIAGRAM

BOX 1: N721P379049

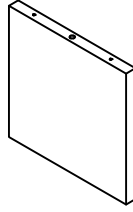
2



186x180x14mm

QTY: 2

3



186x180x14mm

QTY: 1

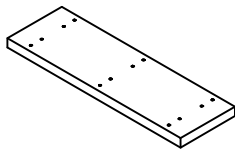
15



591x371x3mm

QTY: 4

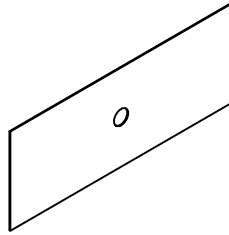
22



320x100x14mm

QTY: 1

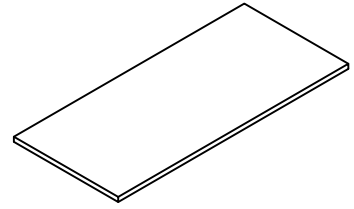
26



783x303x3mm

QTY: 6

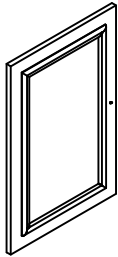
33



772x350x14mm

QTY: 3

34

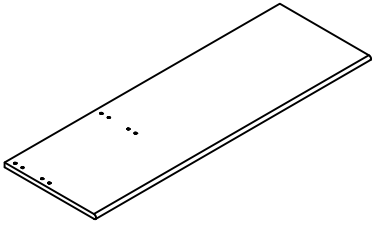
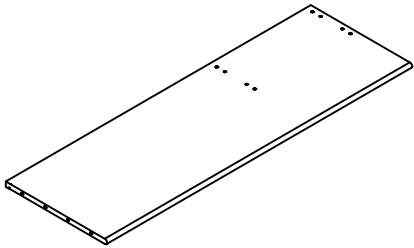
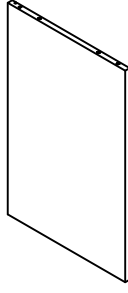
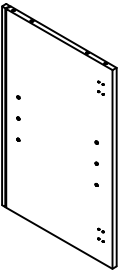
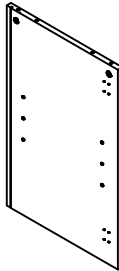
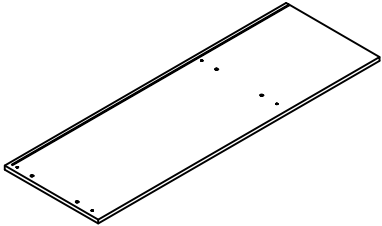
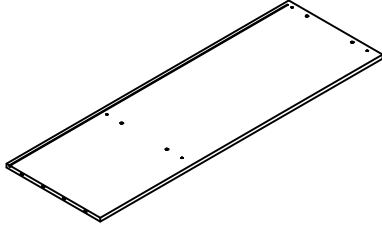
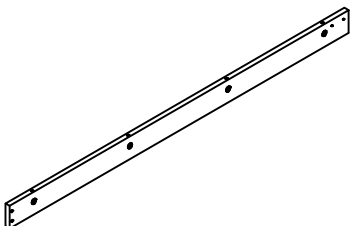
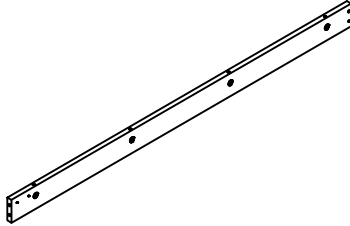


595x384x14mm

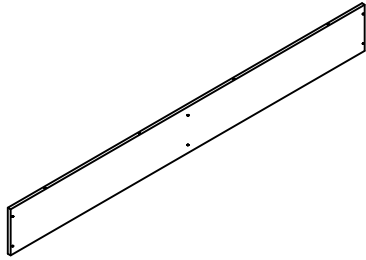
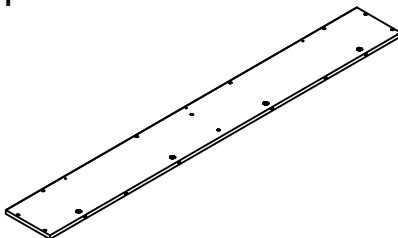
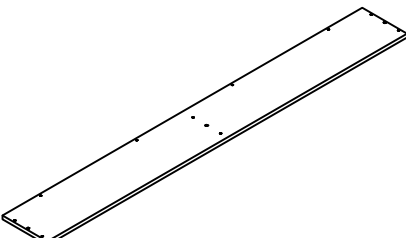
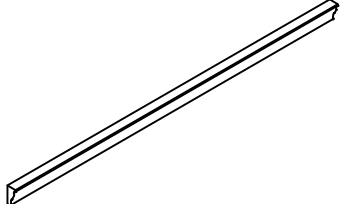


QTY: 6

COMPONENTS - KEY DIAGRAM

BOX 2: N721P379050

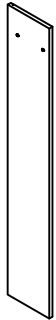
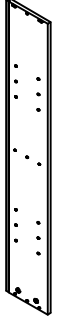
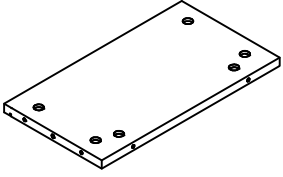
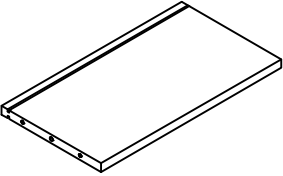
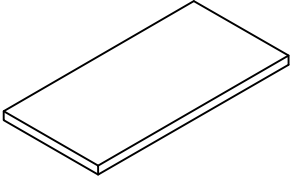
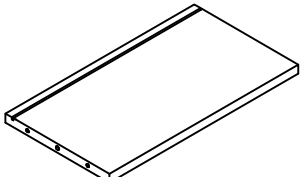
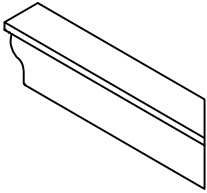
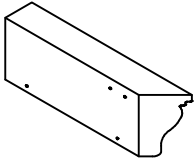
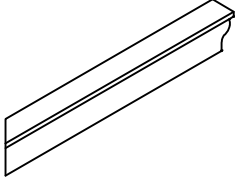
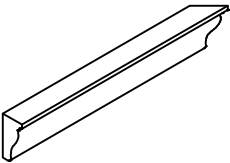
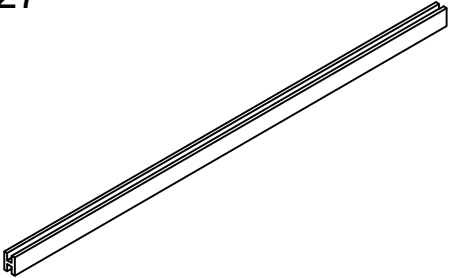
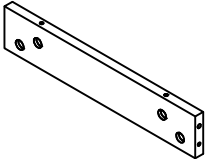
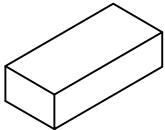
<p>20</p> 	<p>21</p> 	<p>23</p> 
<p>1205x400x17mm QTY: 1</p>	<p>1205x400x17mm QTY: 1</p>	<p>601x384x14mm QTY: 1</p>
<p>24</p> 	<p>25</p> 	<p>28</p> 
<p>601x384x14mm QTY: 2</p>	<p>601x384x14mm QTY: 1</p>	<p>1205x398x14mm QTY: 1</p>
<p>29</p> 	<p>30</p> 	<p>31</p> 
<p>1205x398x14mm QTY: 1</p>	<p>1205x70x14mm QTY: 2</p>	<p>1205x70x14mm QTY: 2</p>

BOX 3:

<p>1</p> 	<p>4</p> 	<p>5</p> 
<p>1600x180x12mm QTY: 1</p>	<p>1600x200x14mm QTY: 1</p>	<p>1600x200x14mm QTY: 1</p>
<p>6</p> 	<p>7</p> 	<p>8</p> 
<p>1610x80x42mm QTY: 1</p>	<p>1210x200x14mm QTY: 1</p>	<p>1210x200x14mm QTY: 1</p>

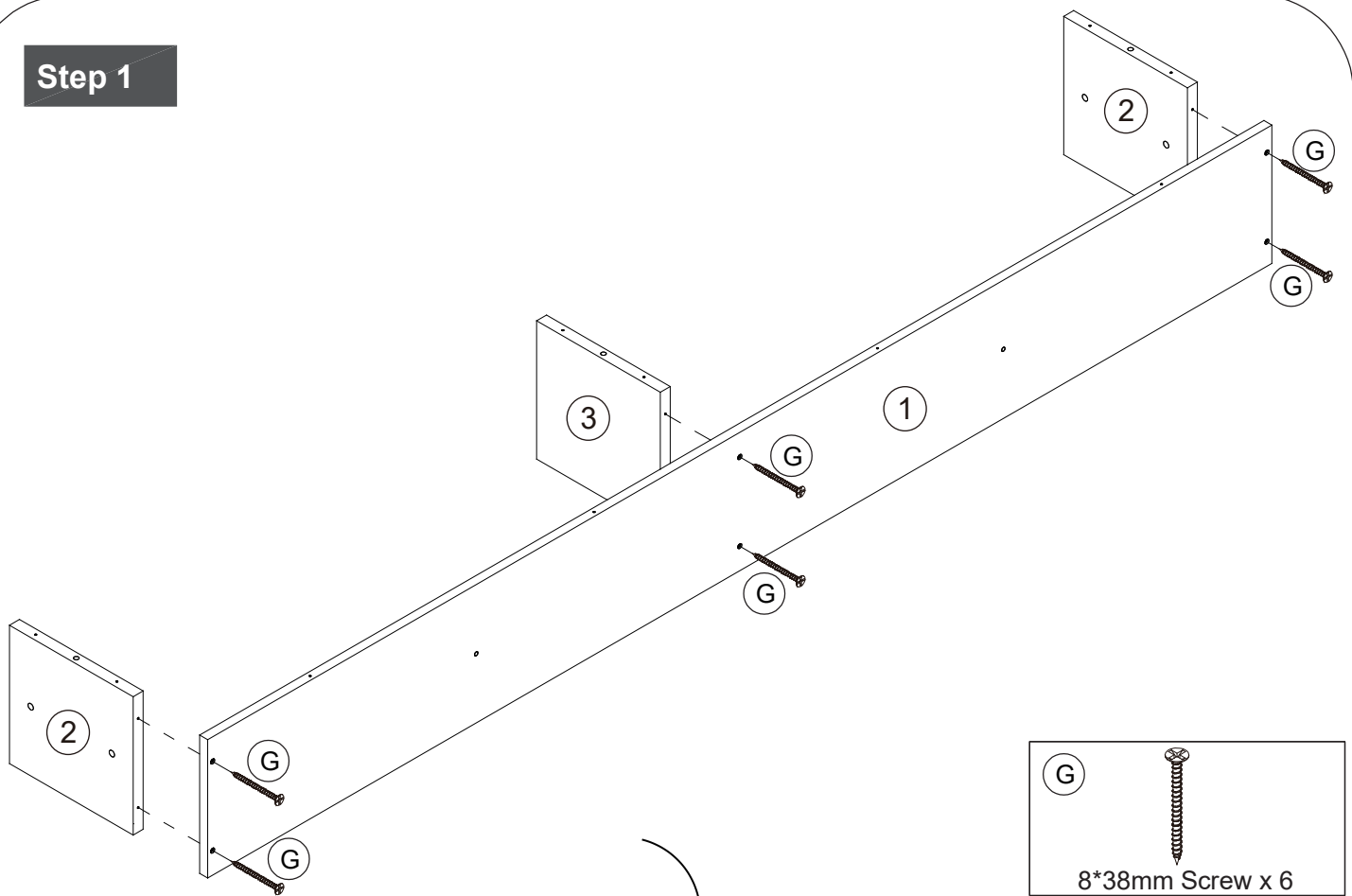
COMPONENTS - KEY DIAGRAM

BOX 3: N721P379051

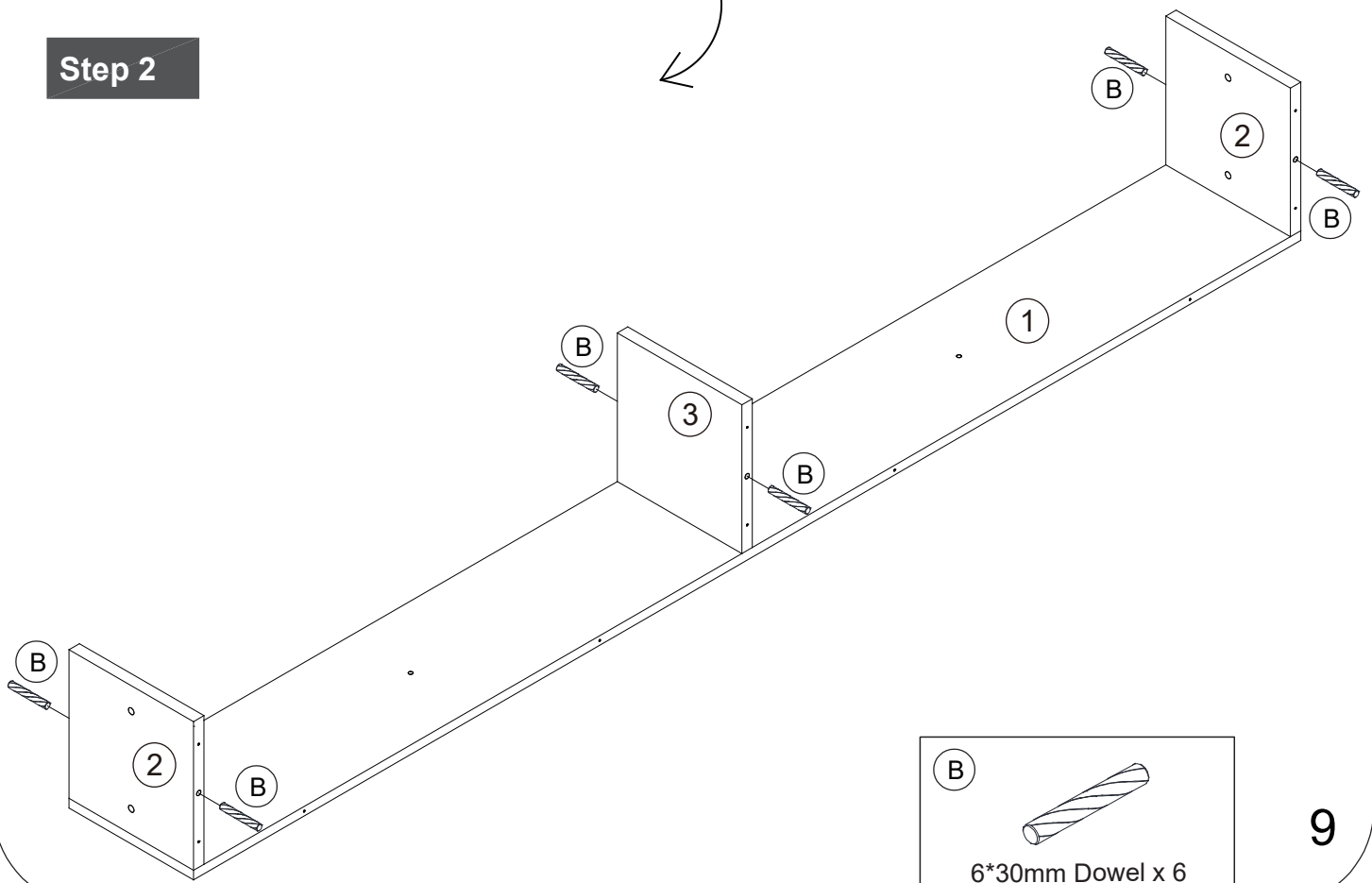
<p>9</p> 	<p>10</p> 	<p>11</p> 
<p>1210x200x14mm QTY: 1</p>	<p>1210x200x14mm QTY: 1</p>	<p>363x200x14mm QTY: 2</p>
<p>12</p> 	<p>13</p> 	<p>14</p> 
<p>363x200x14mm QTY: 2</p>	<p>361x180x14mm QTY: 4</p>	<p>363x200x14mm QTY: 2</p>
<p>16</p> 	<p>17</p> 	<p>18</p> 
<p>252x80x42mm QTY: 1</p>	<p>252x80x42mm QTY: 1</p>	<p>443x80x42mm QTY: 1</p>
<p>19</p> 	<p>27</p> 	<p>32</p> 
<p>443x80x42mm QTY: 1</p>	<p>770mm QTY: 3</p>	<p>368x70x14mm QTY: 2</p>
		
<p>Hardware kit QTY: 1</p>		

Assembly Instructions

Step 1

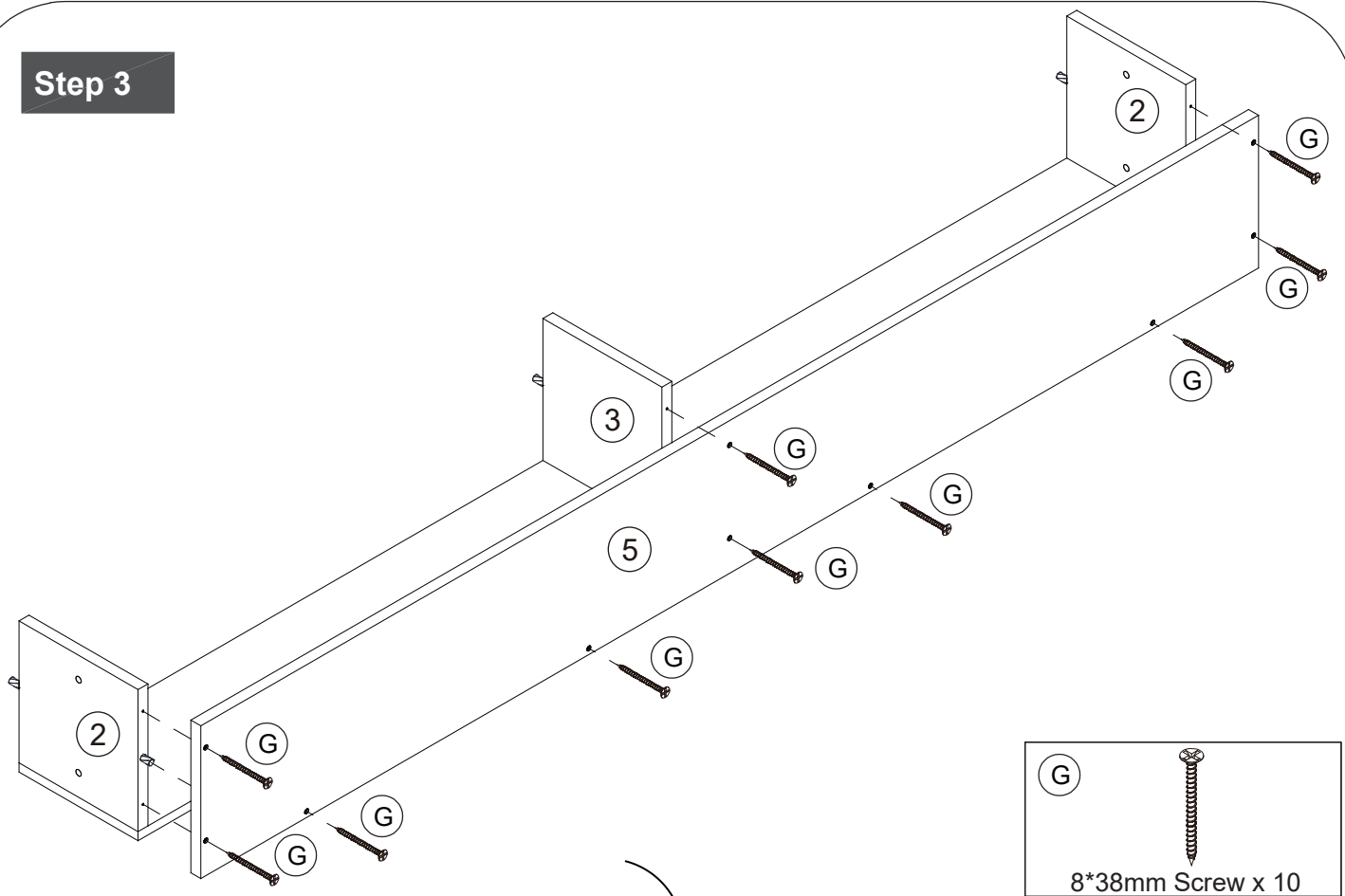


Step 2

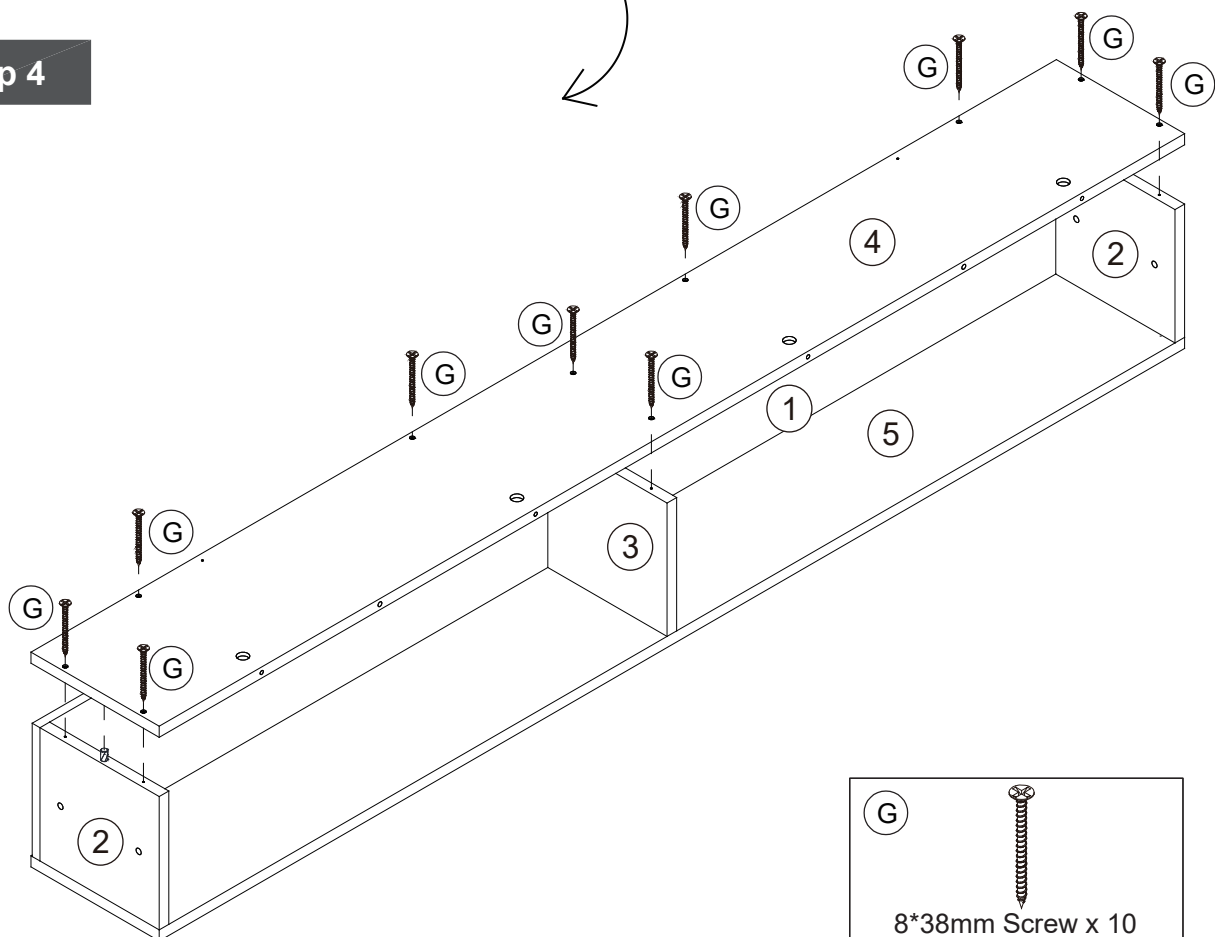


Assembly Instructions

Step 3

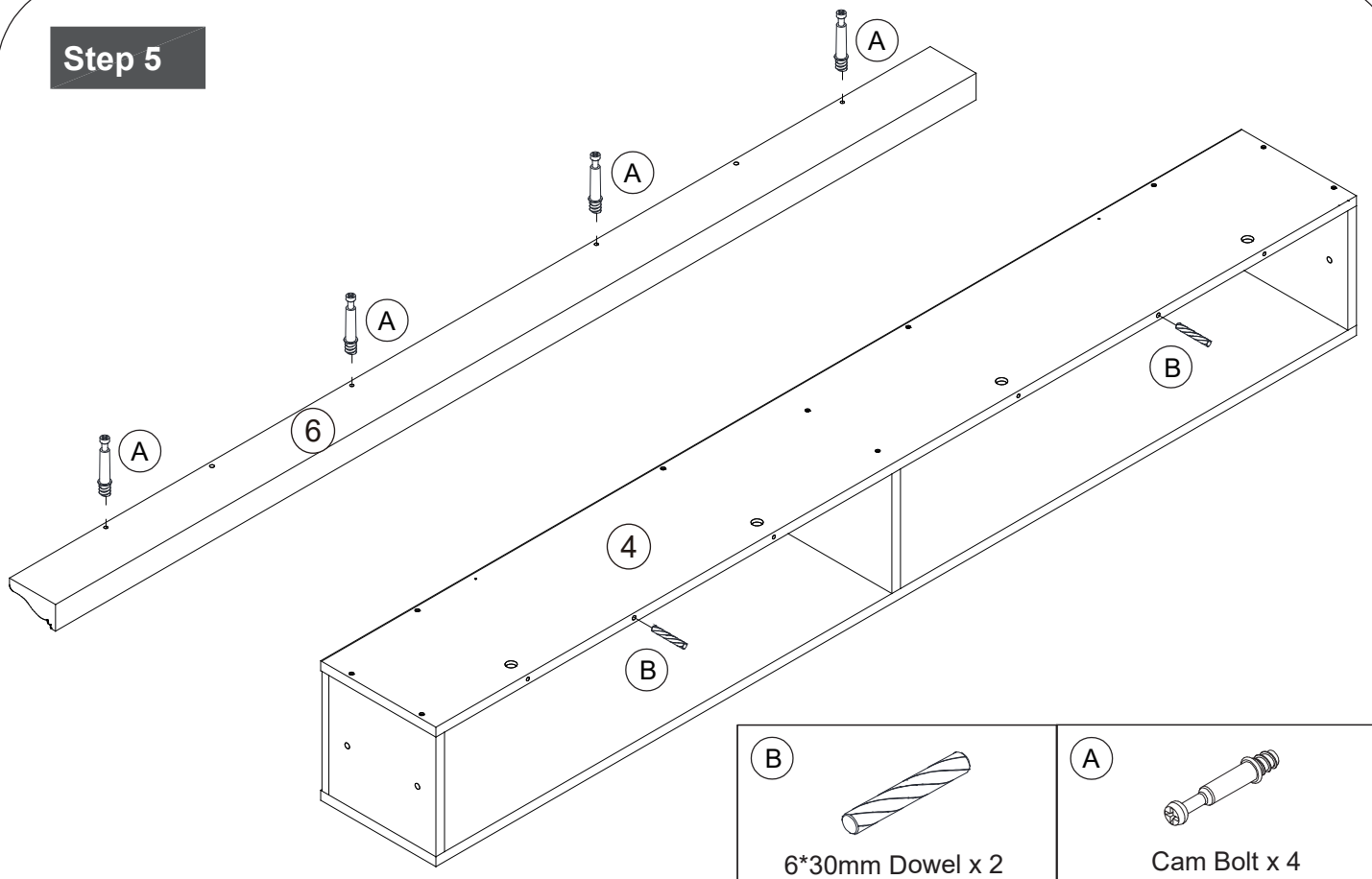


Step 4

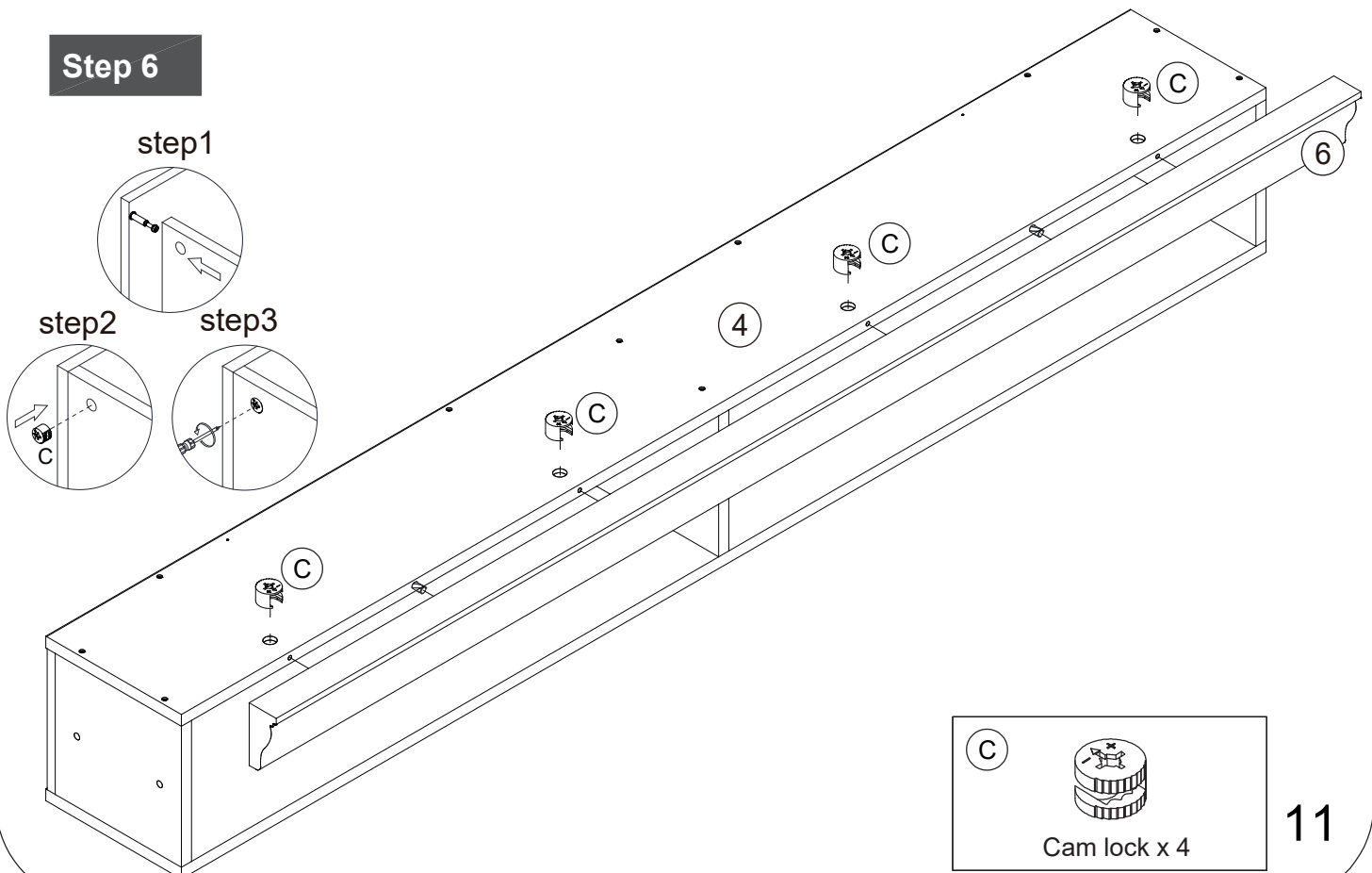


Assembly Instructions

Step 5

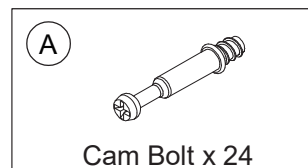
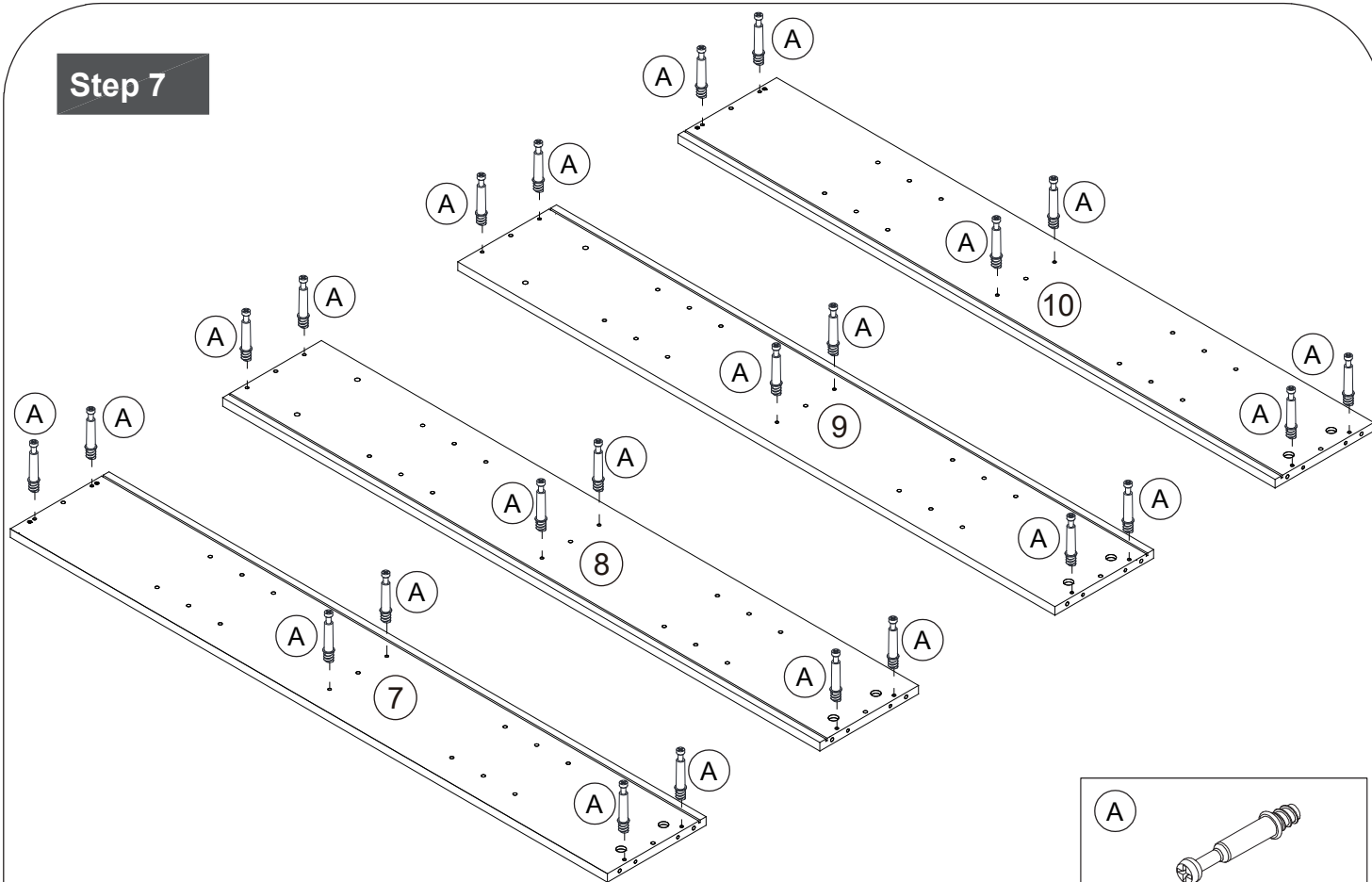


Step 6

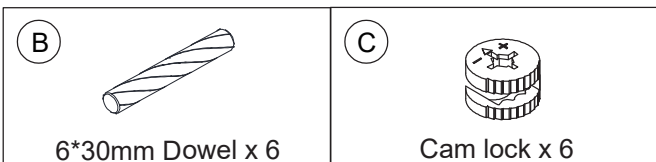
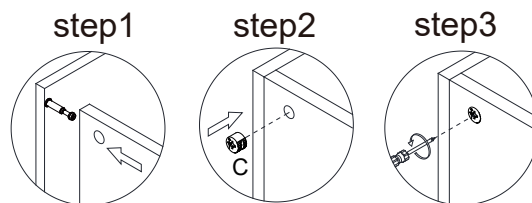
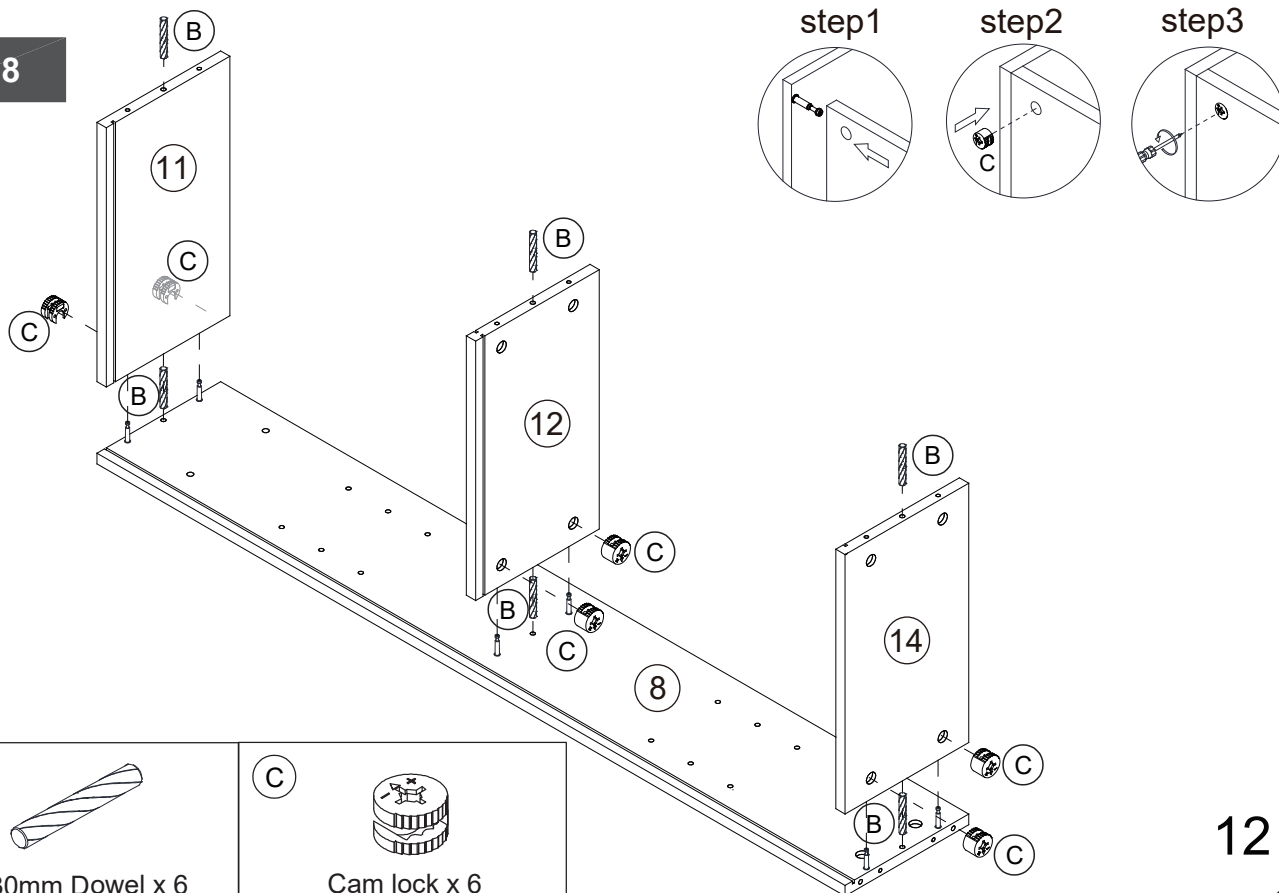


Assembly Instructions

Step 7

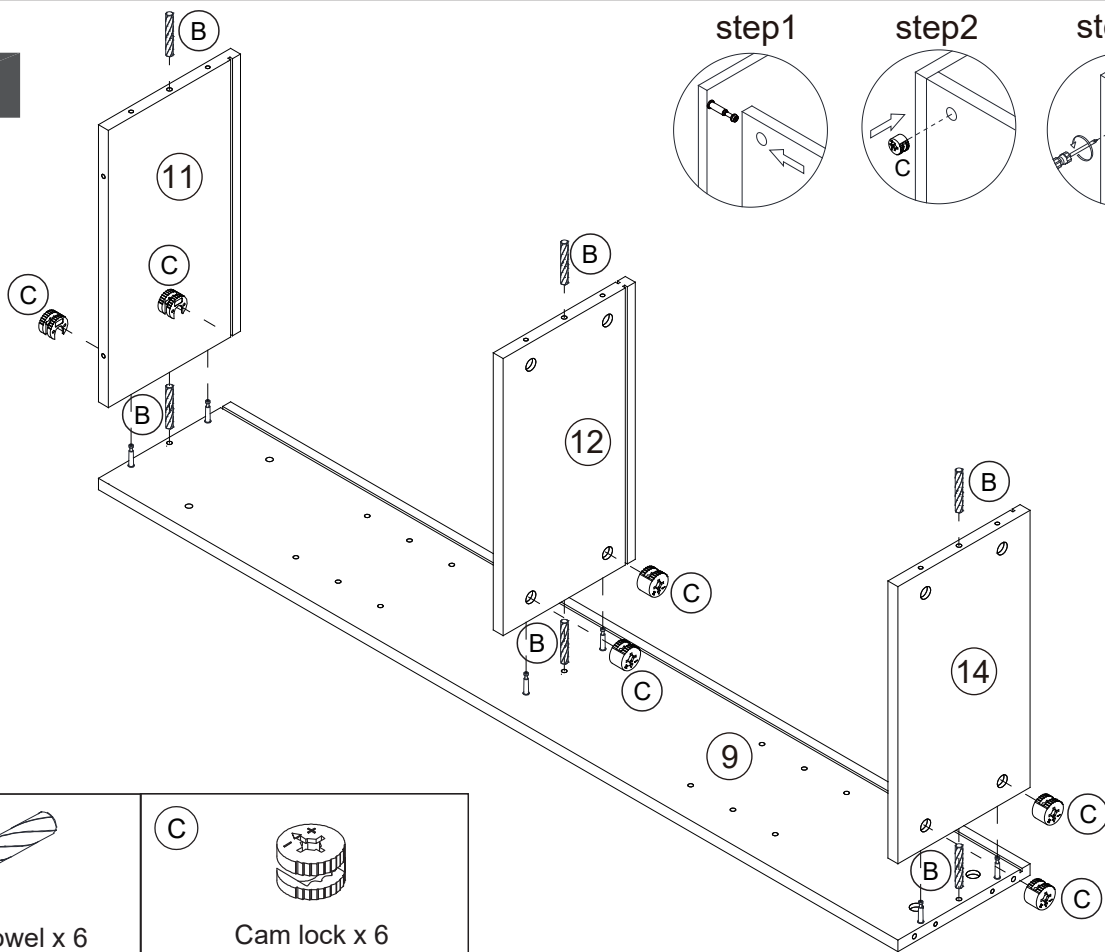


Step 8

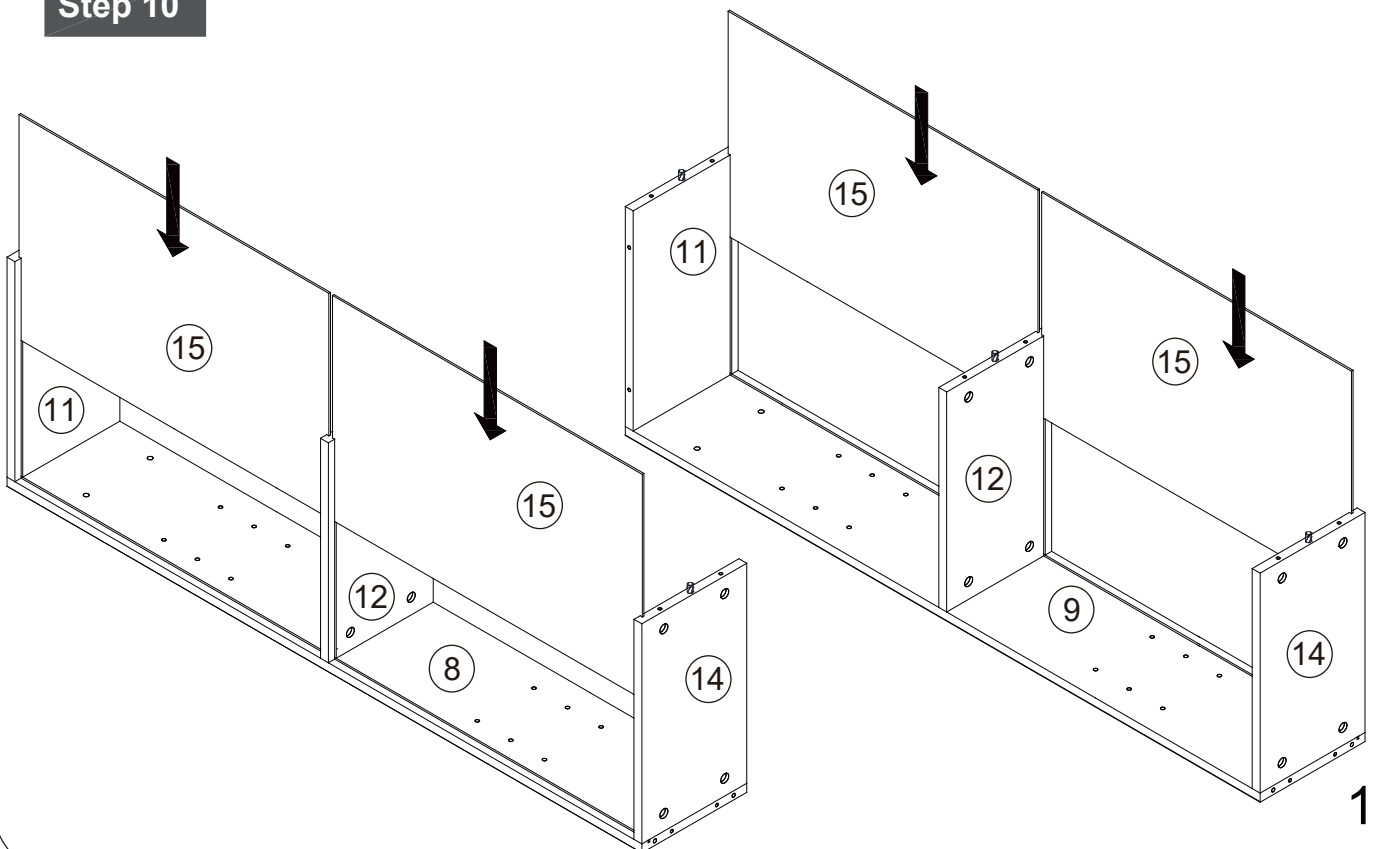


Assembly Instructions

Step 9

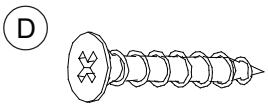
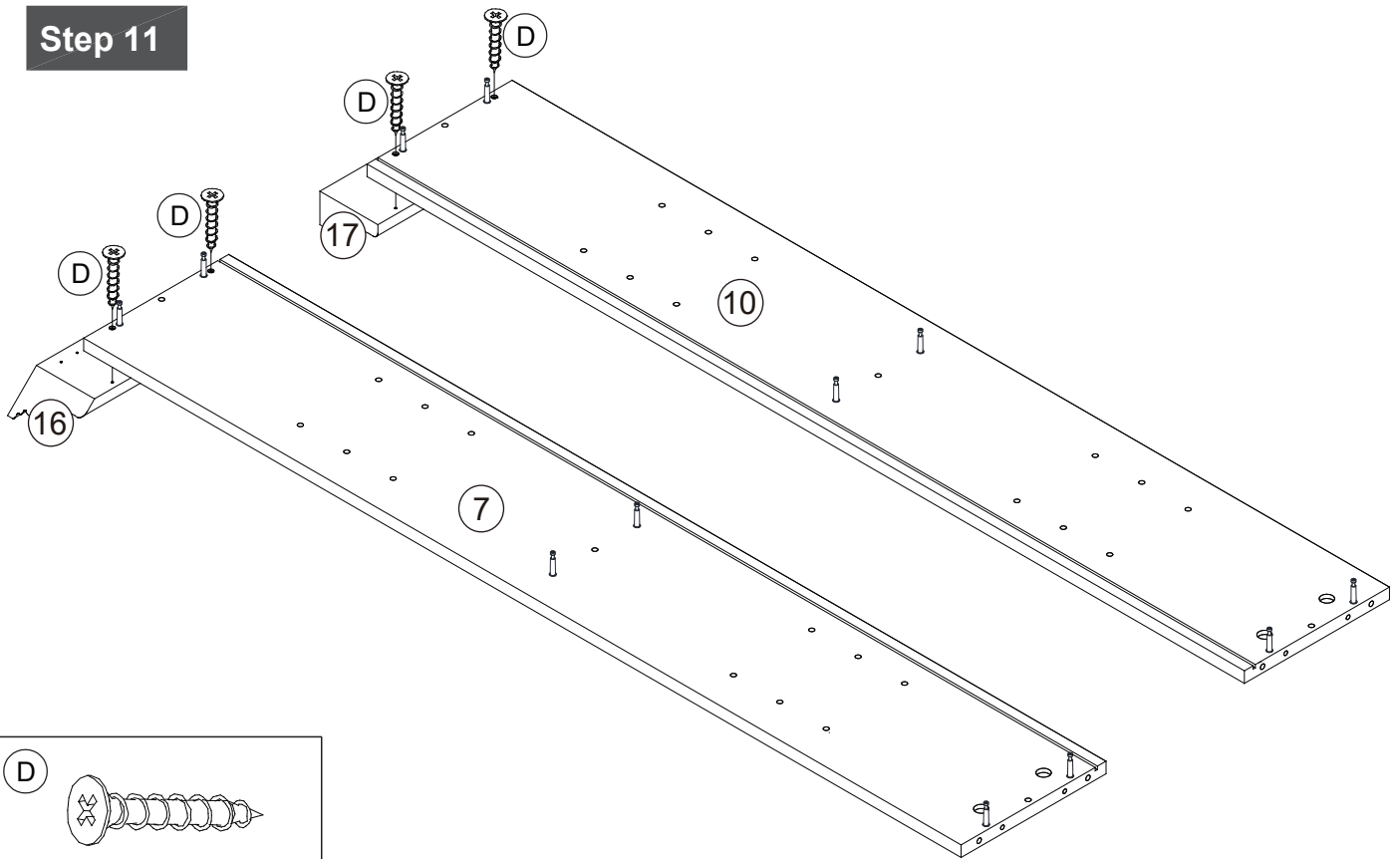


Step 10



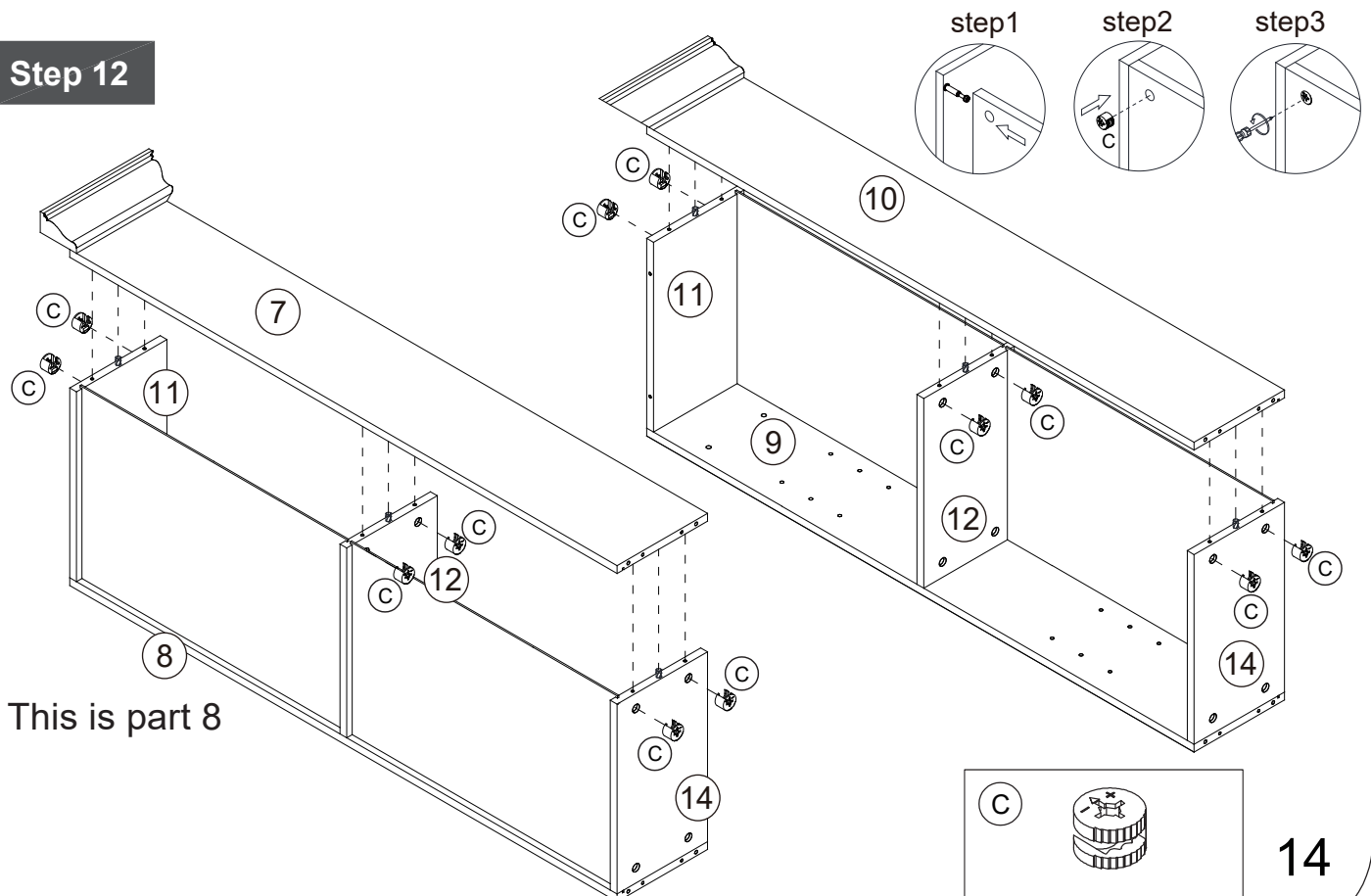
Assembly Instructions

Step 11



8*25mm Screw x 4

Step 12



This is part 8

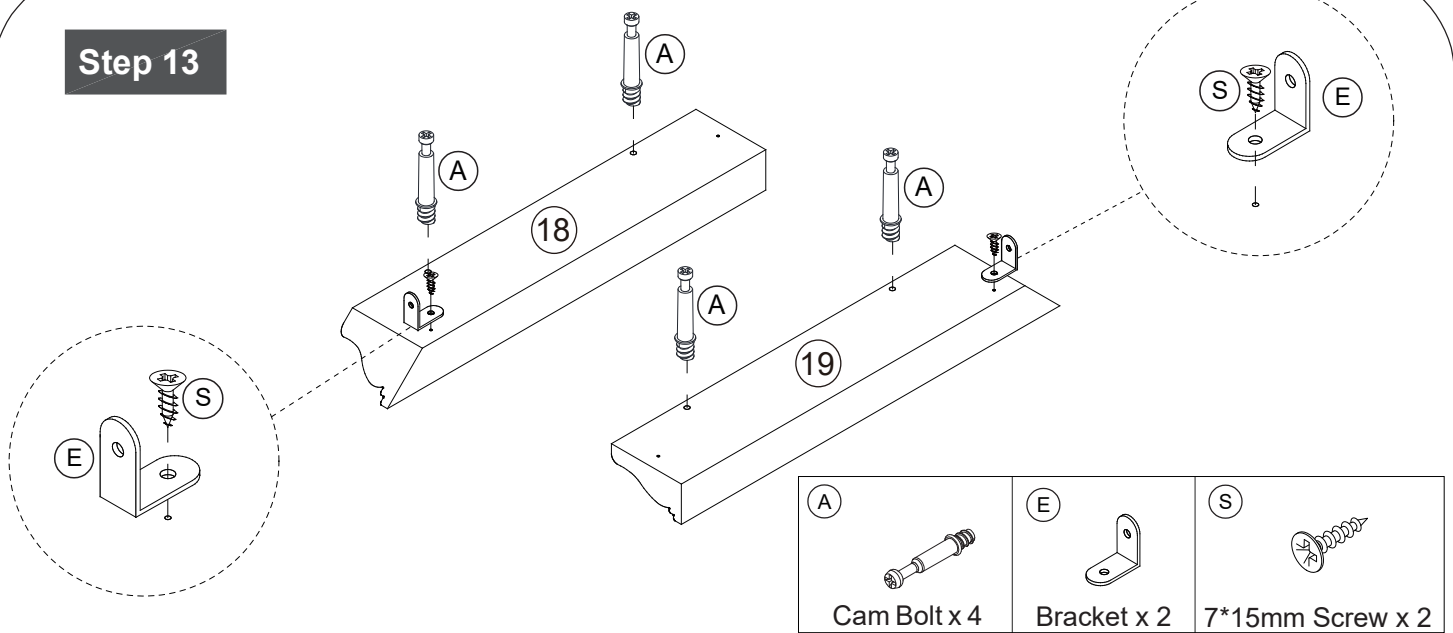


Cam lock x 12

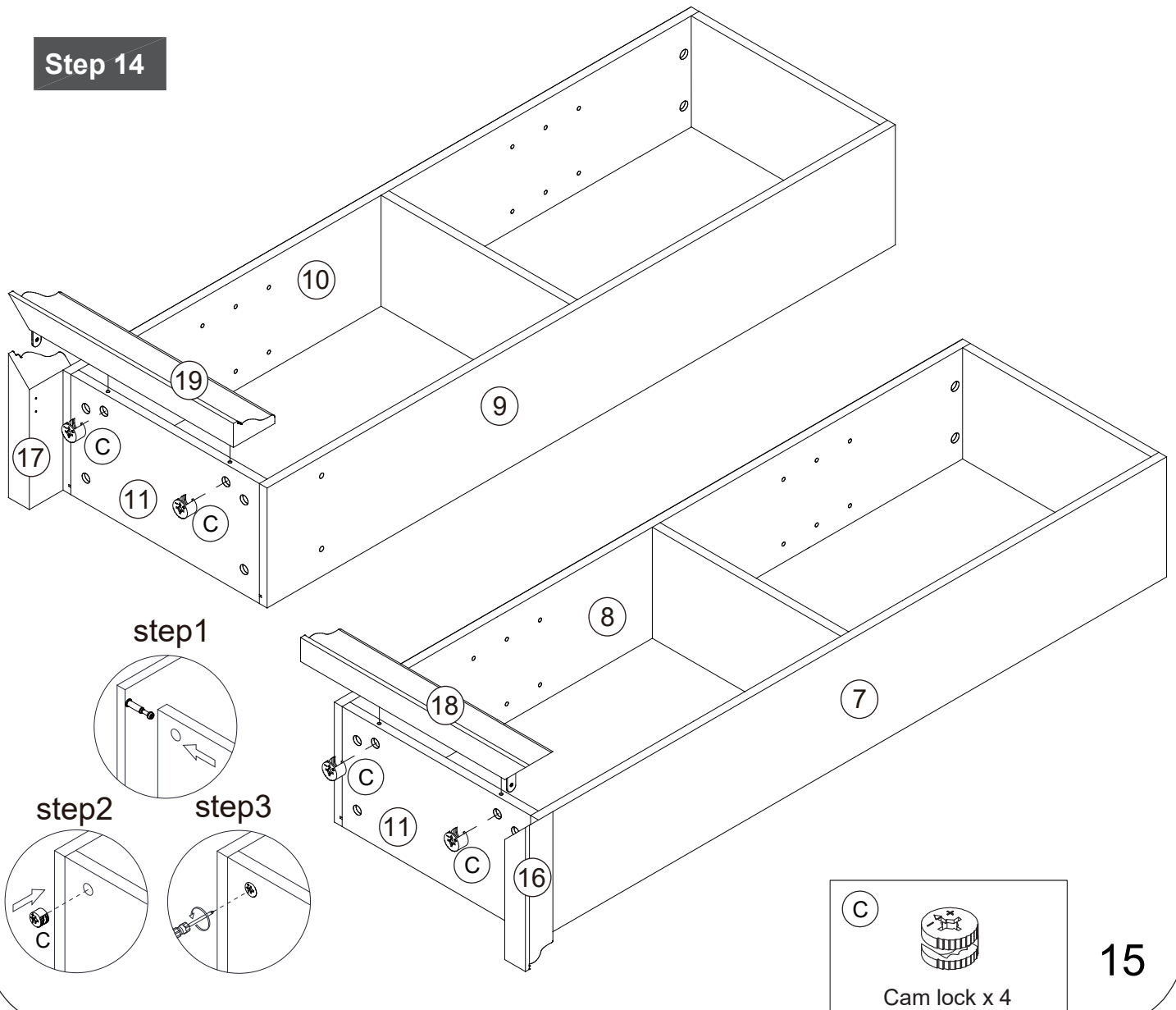
14

Assembly Instructions

Step 13

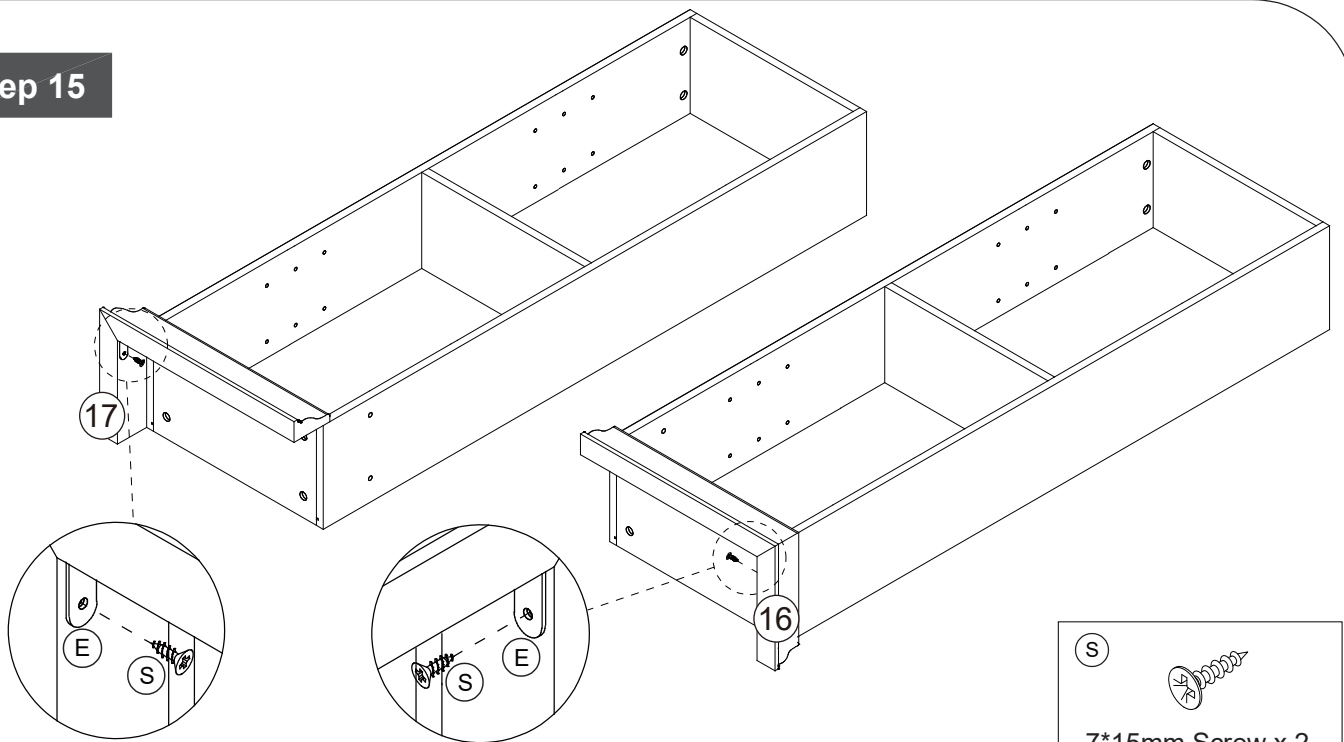


Step 14

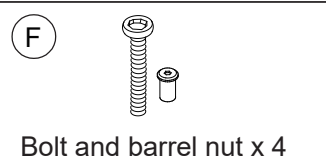
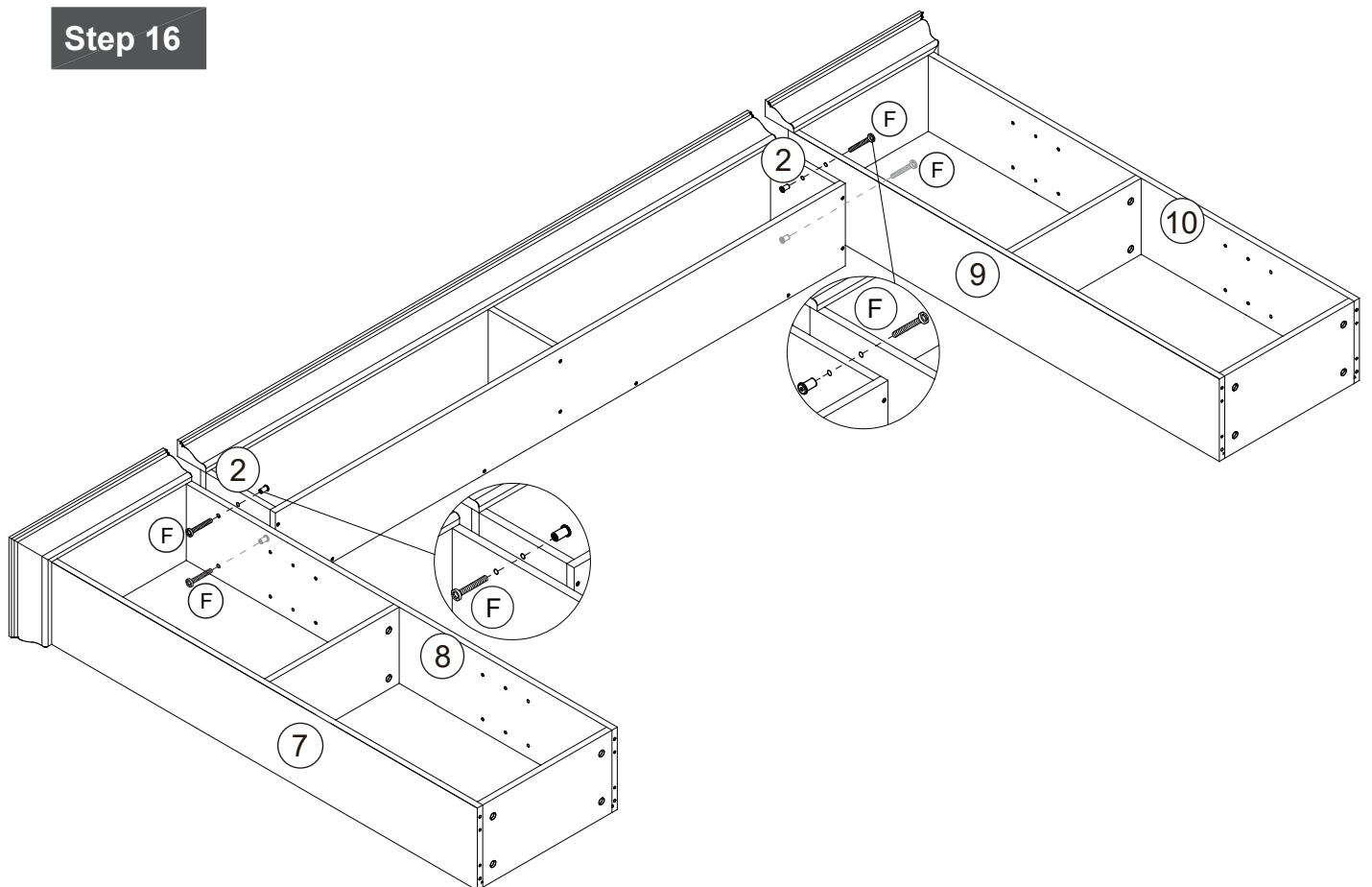


Assembly Instructions

Step 15

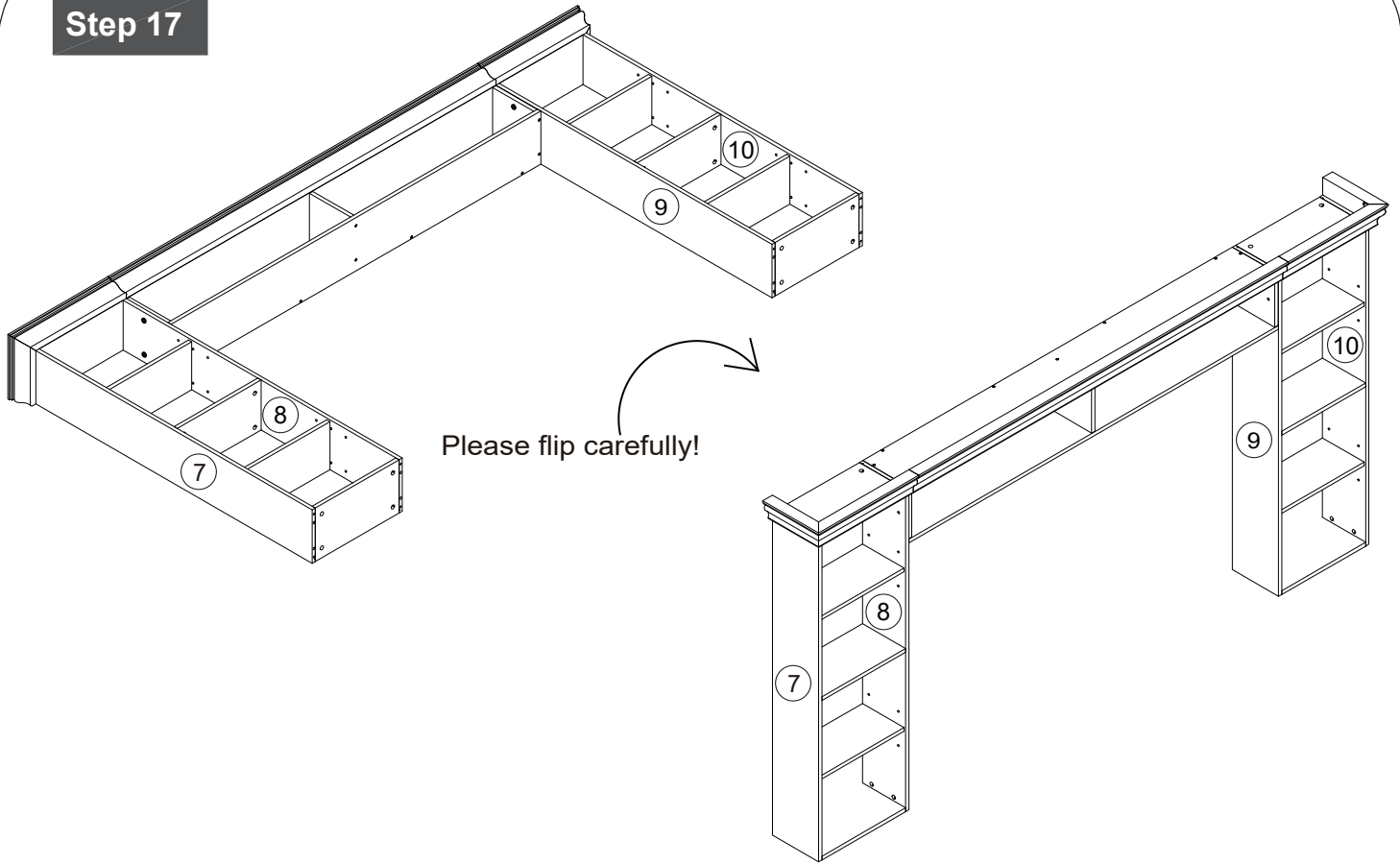


Step 16



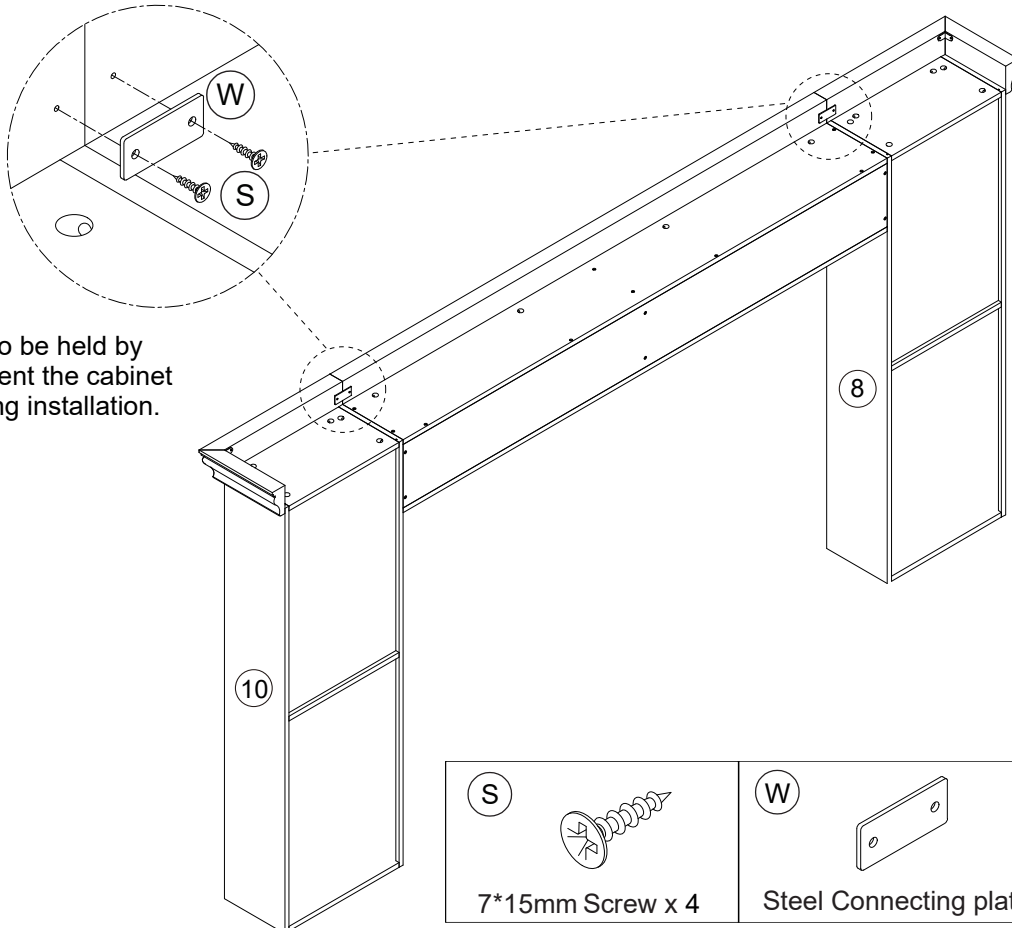
Assembly Instructions

Step 17



Step 18

NOTE: It needs to be held by someone to prevent the cabinet from tipping during installation.



(S)



7*15mm Screw x 4

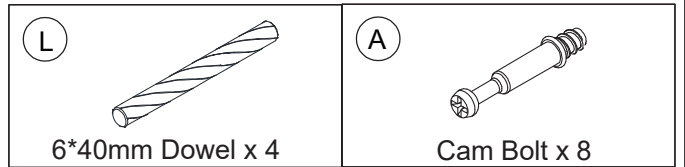
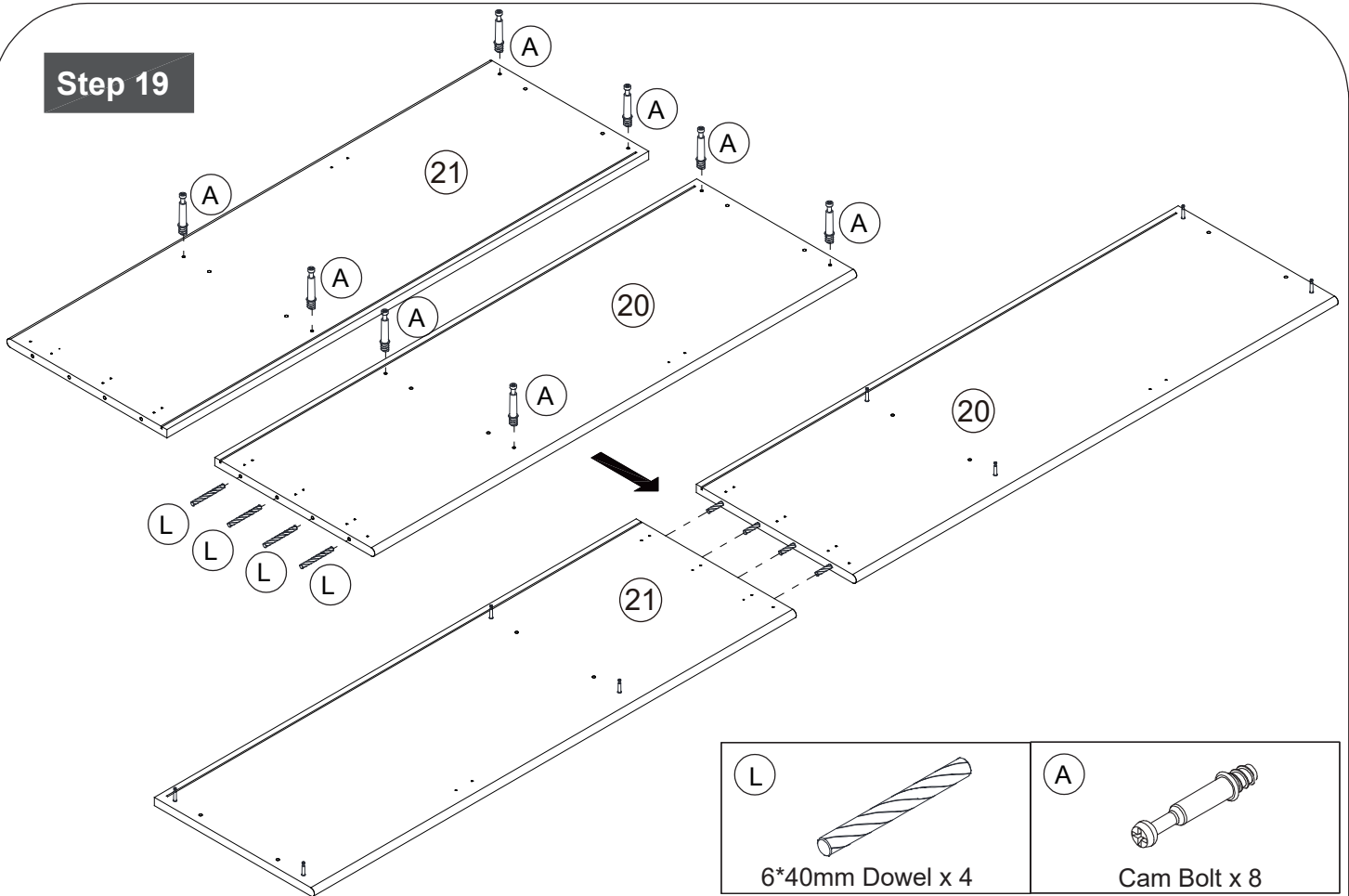
(W)



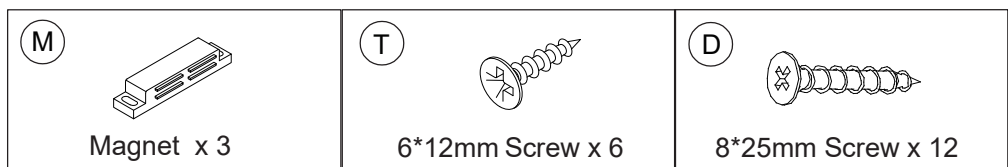
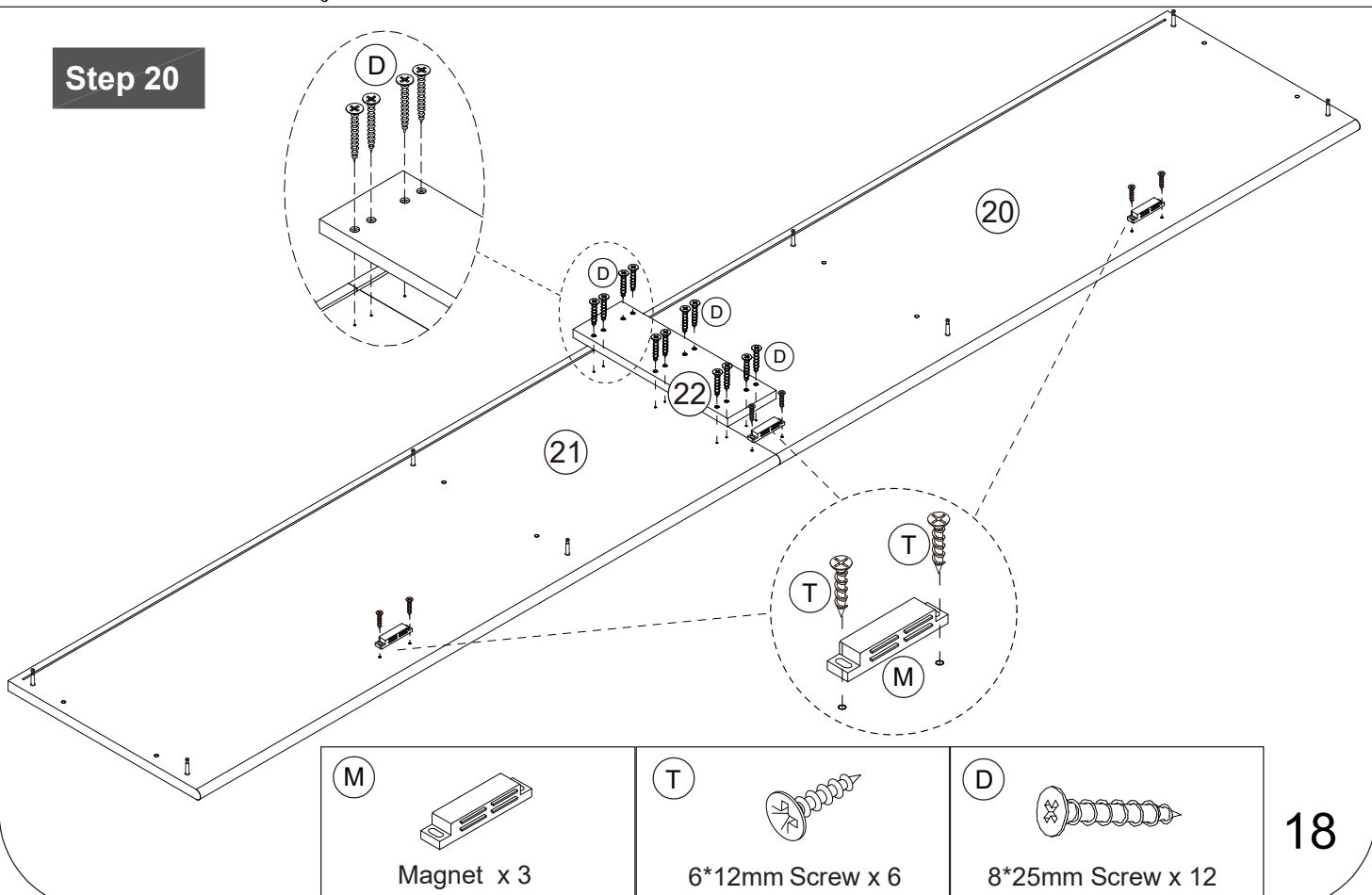
Steel Connecting plate x2

Assembly Instructions

Step 19

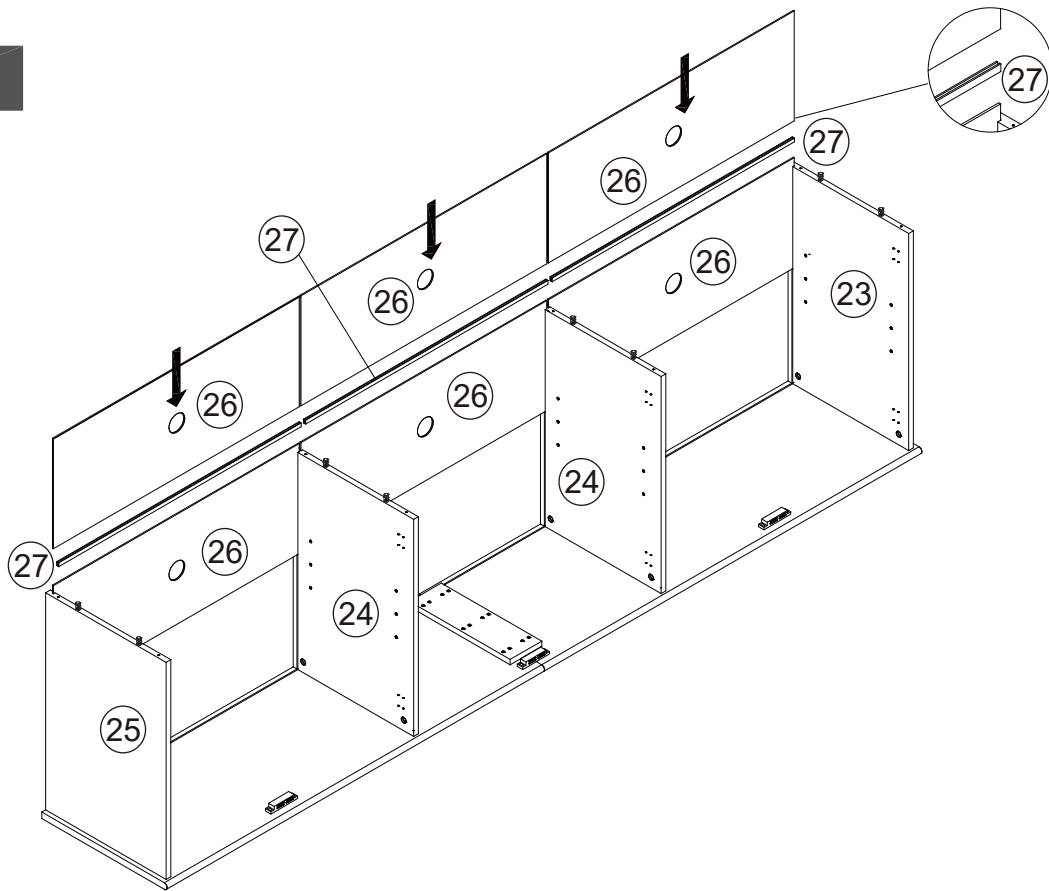


Step 20

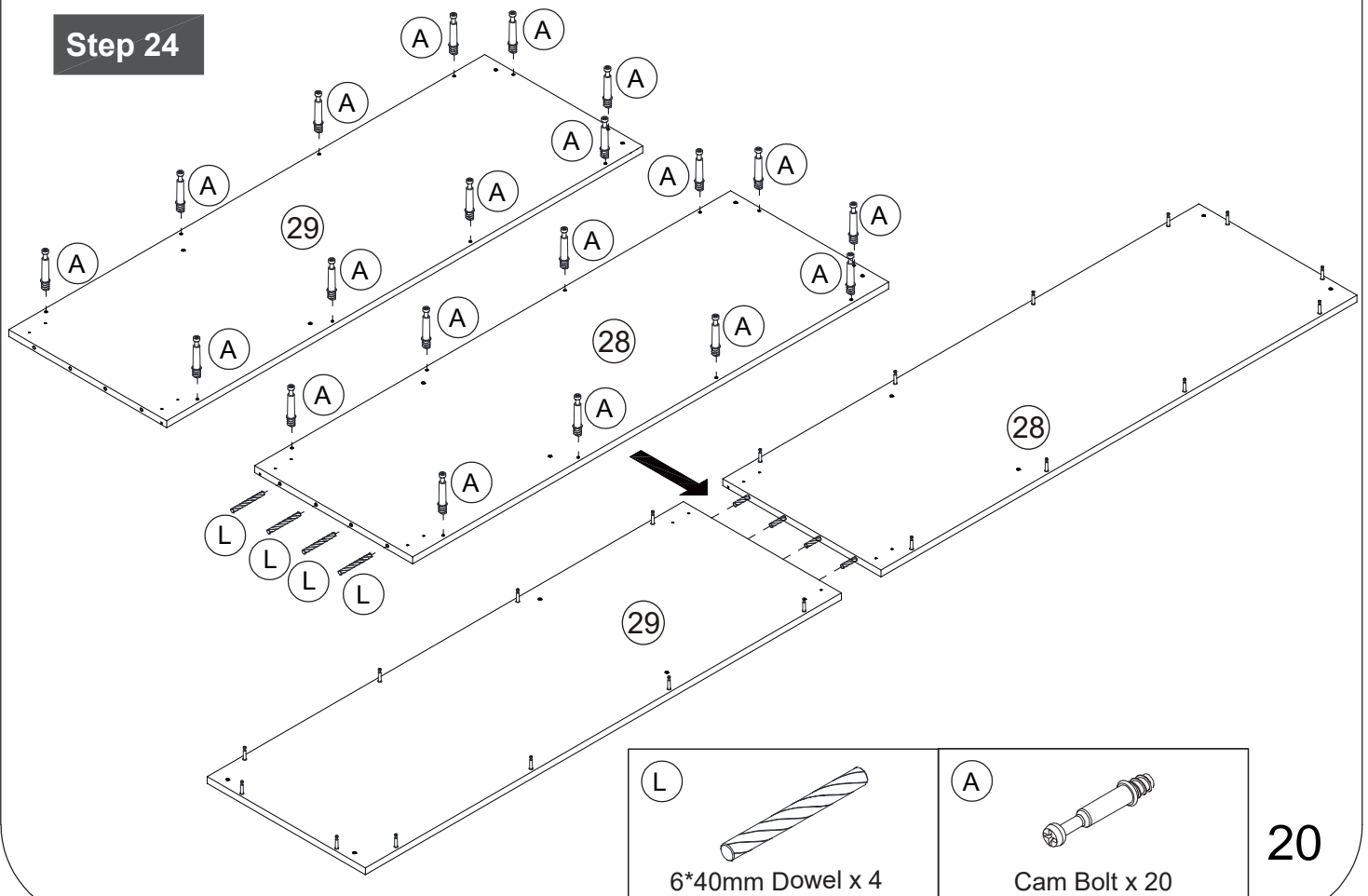


Assembly Instructions

Step 23

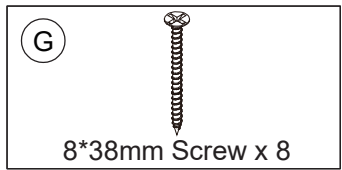
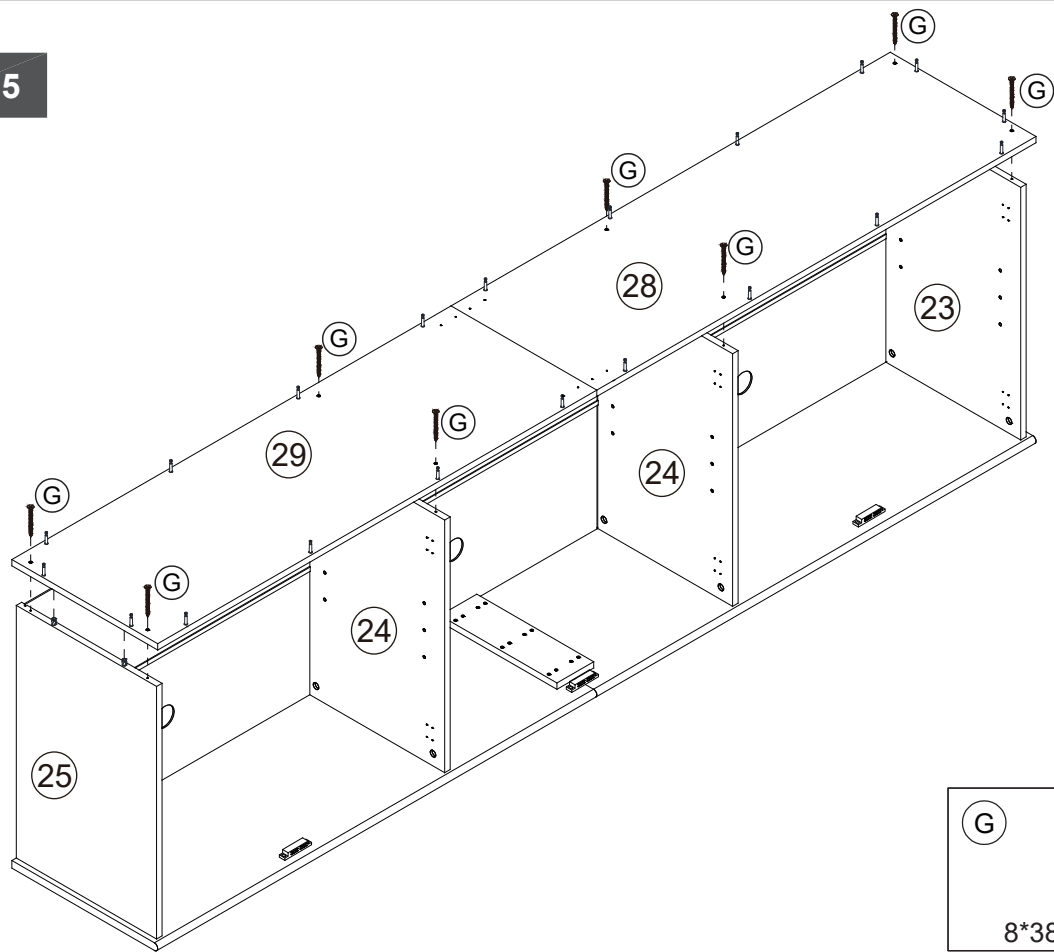


Step 24



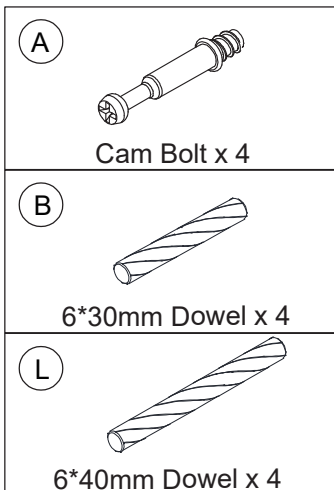
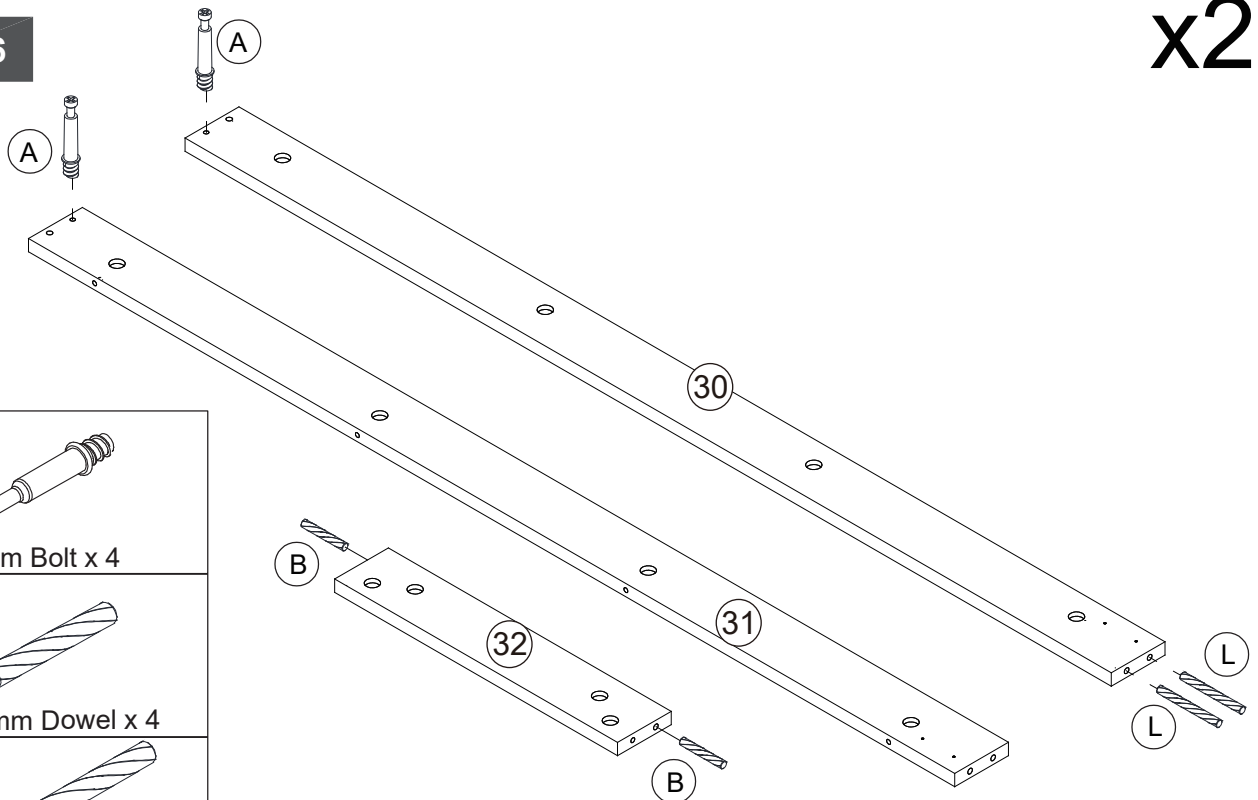
Assembly Instructions

Step 25



Step 26

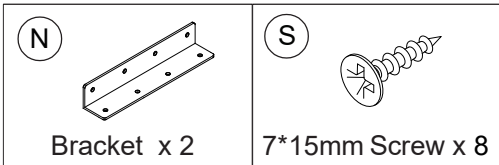
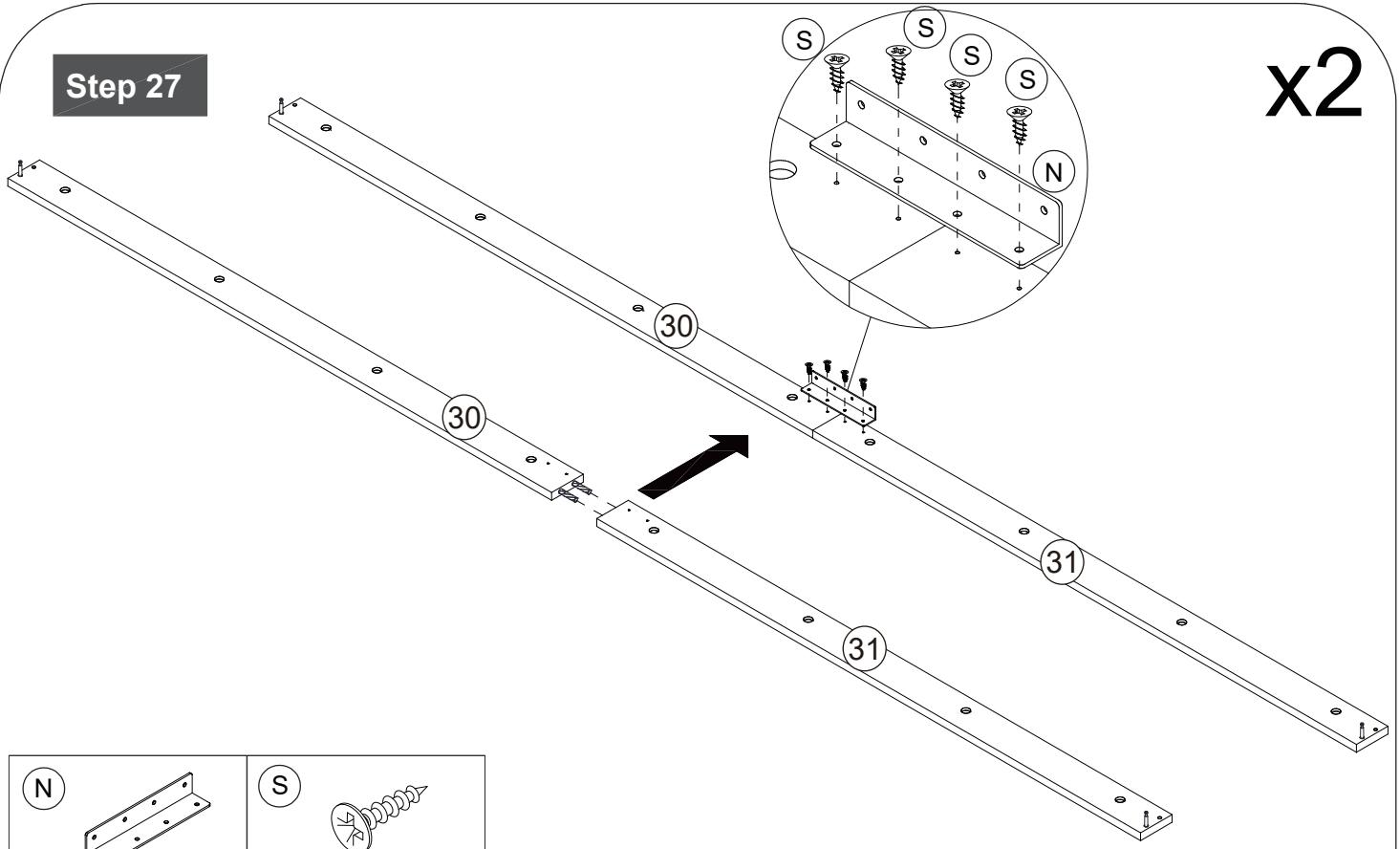
x2



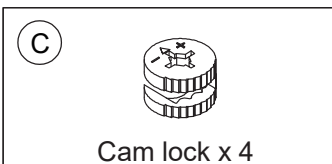
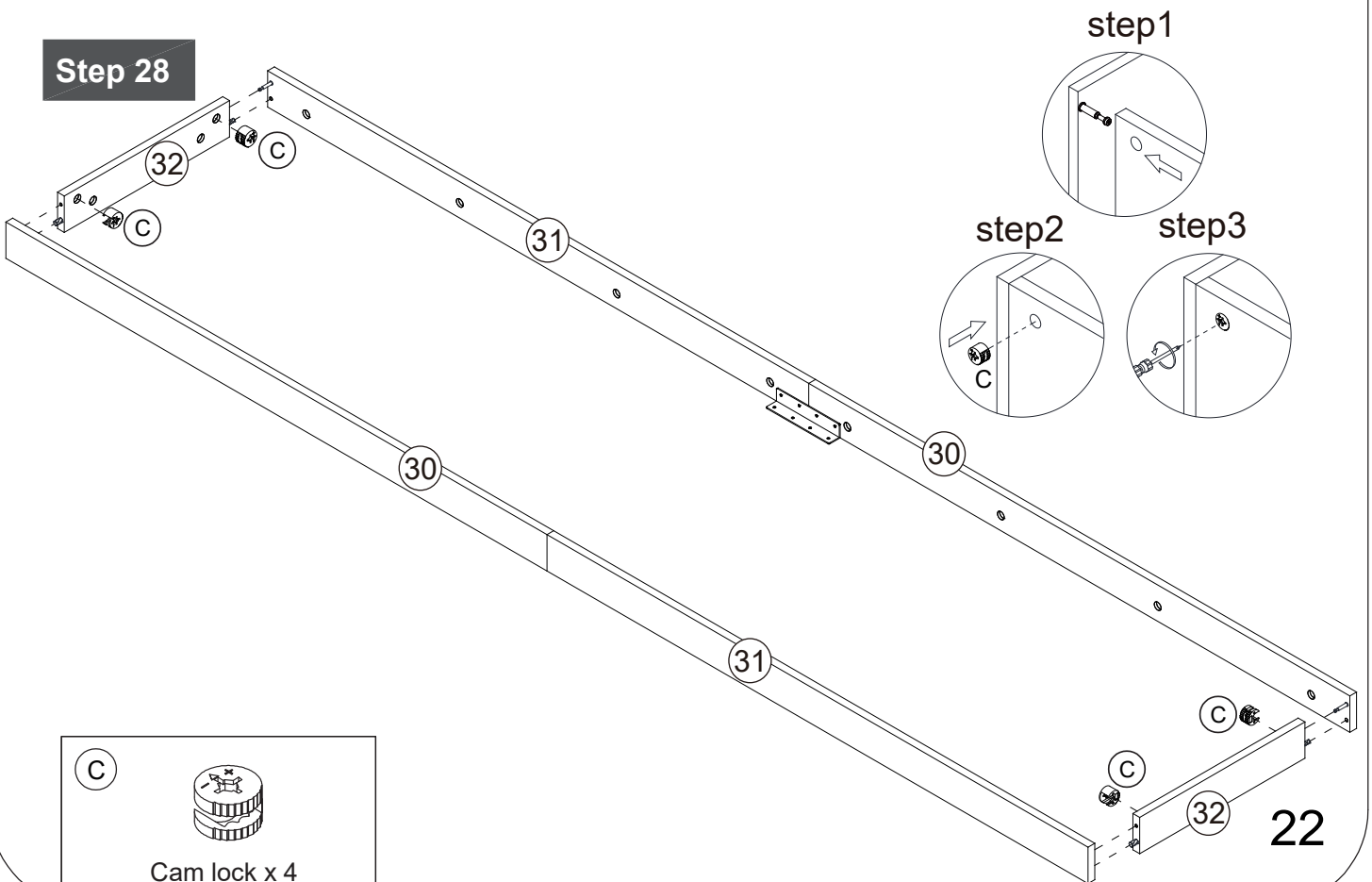
Assembly Instructions

x2

Step 27



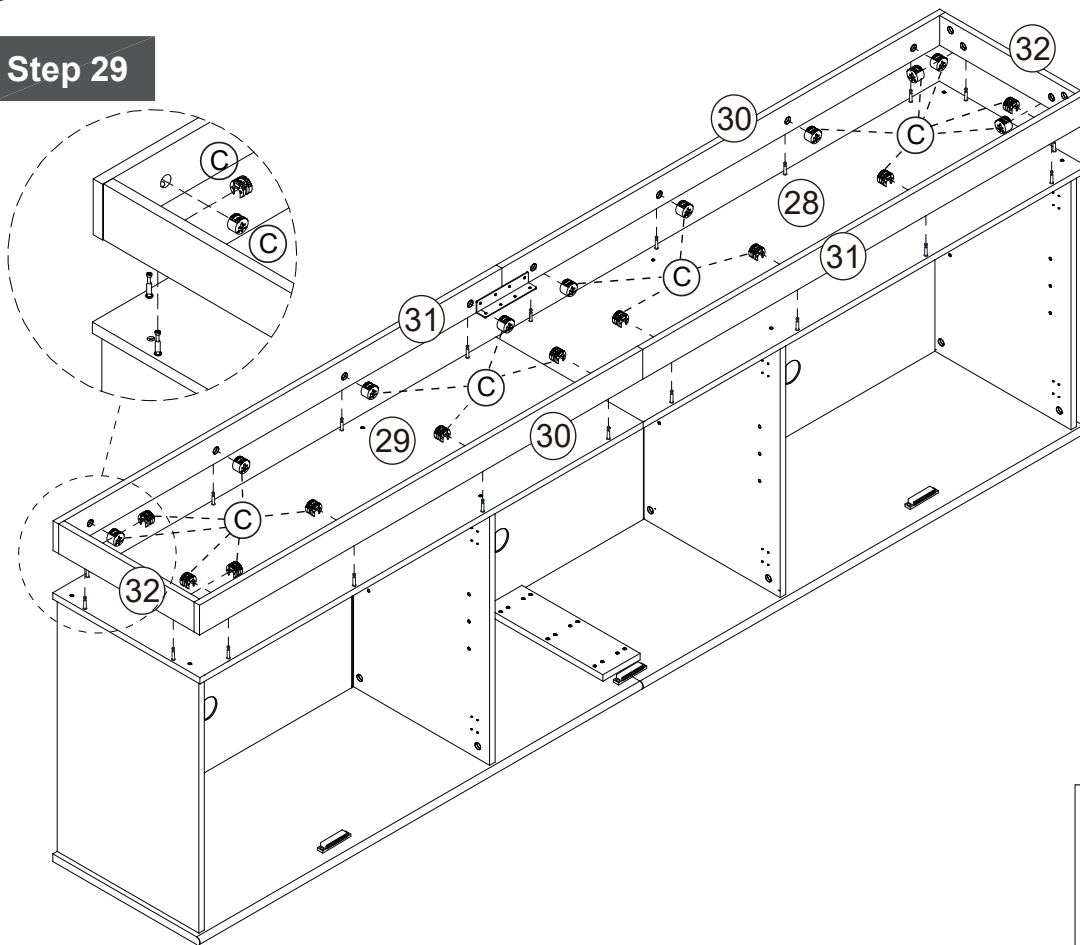
Step 28



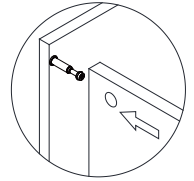
22

Assembly Instructions

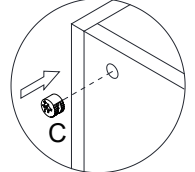
Step 29



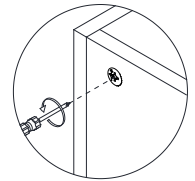
step1



step2



step3

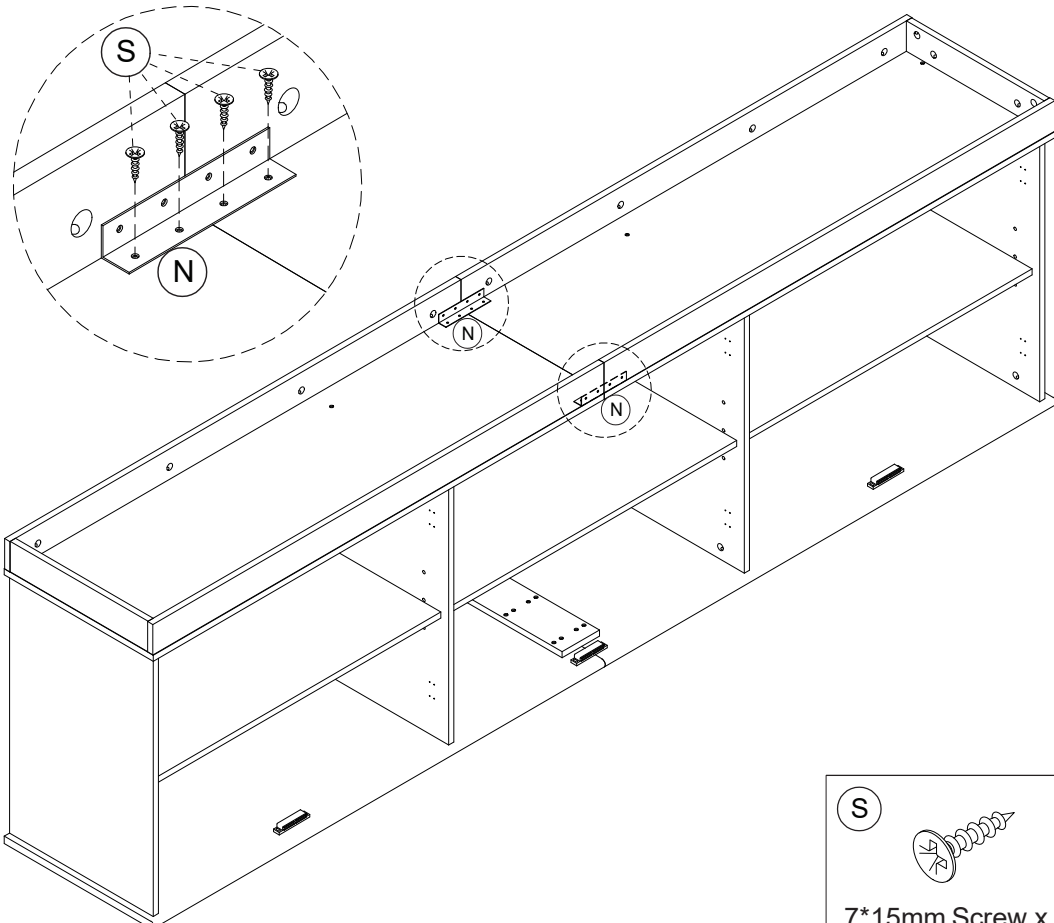


C

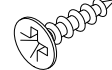


Cam lock x 20

Step 30



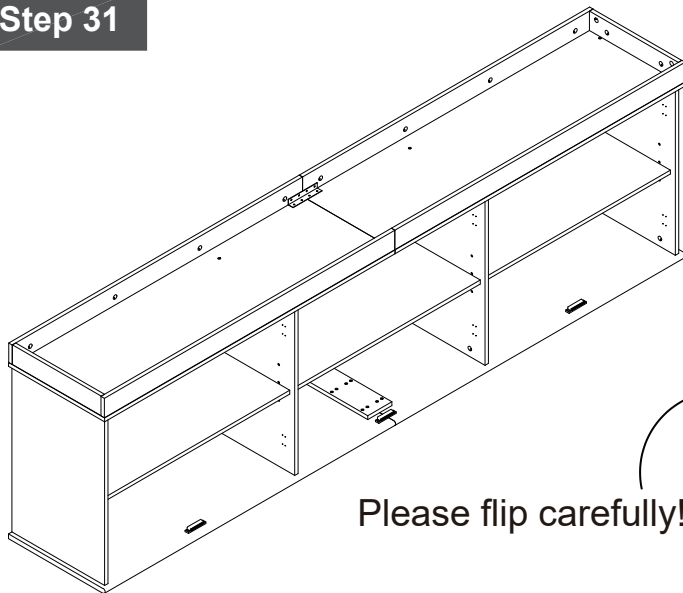
S



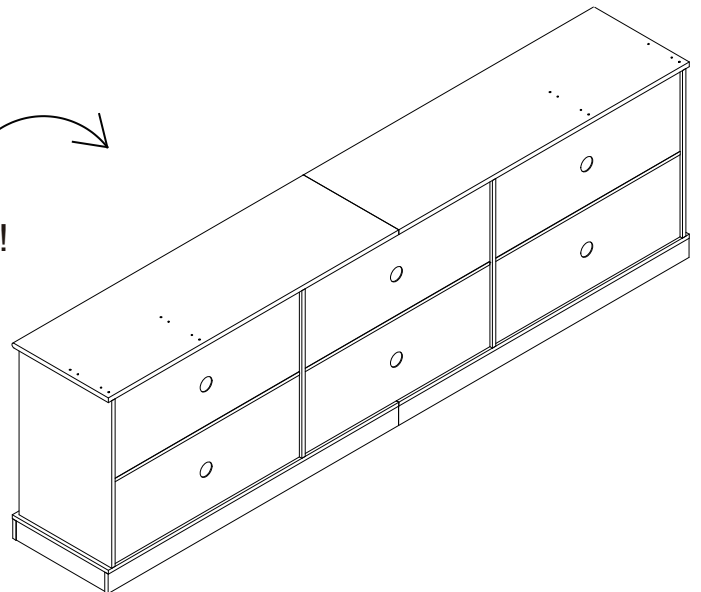
7*15mm Screw x 8

Assembly Instructions

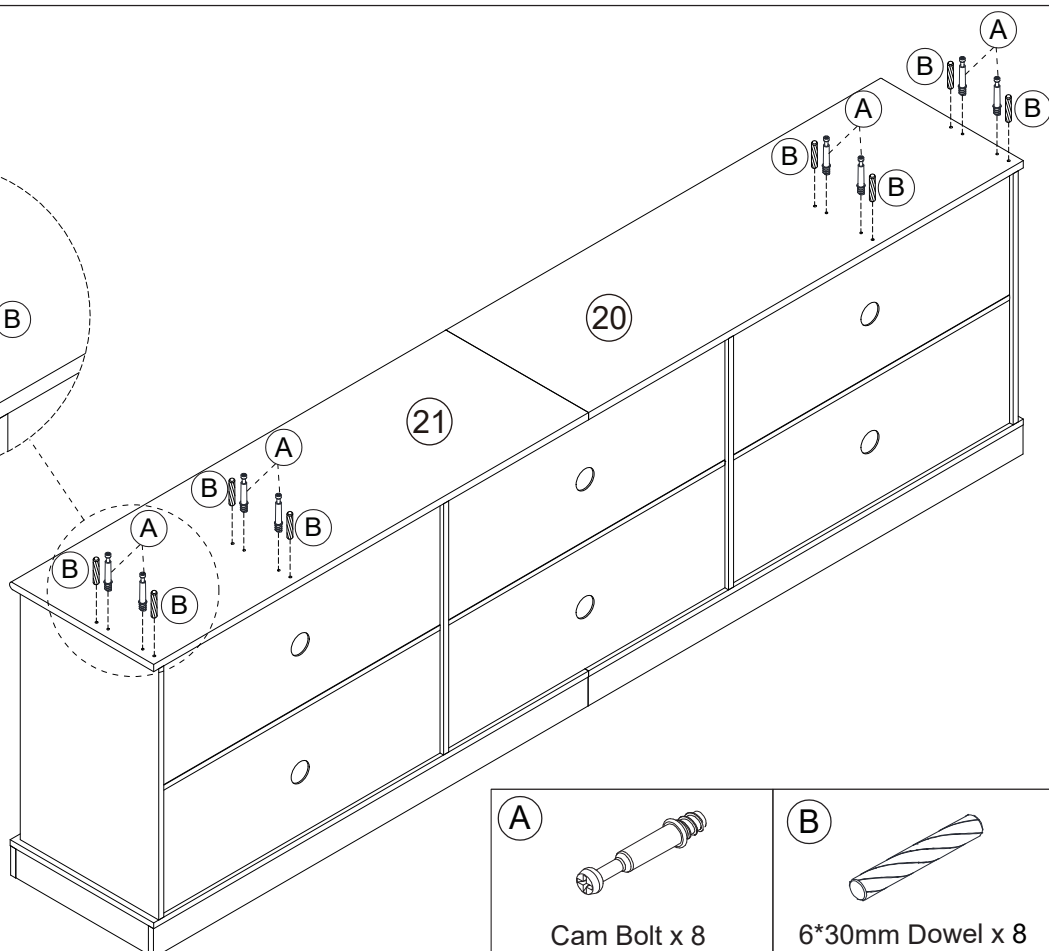
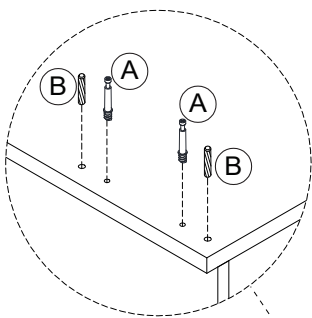
Step 31



Please flip carefully!



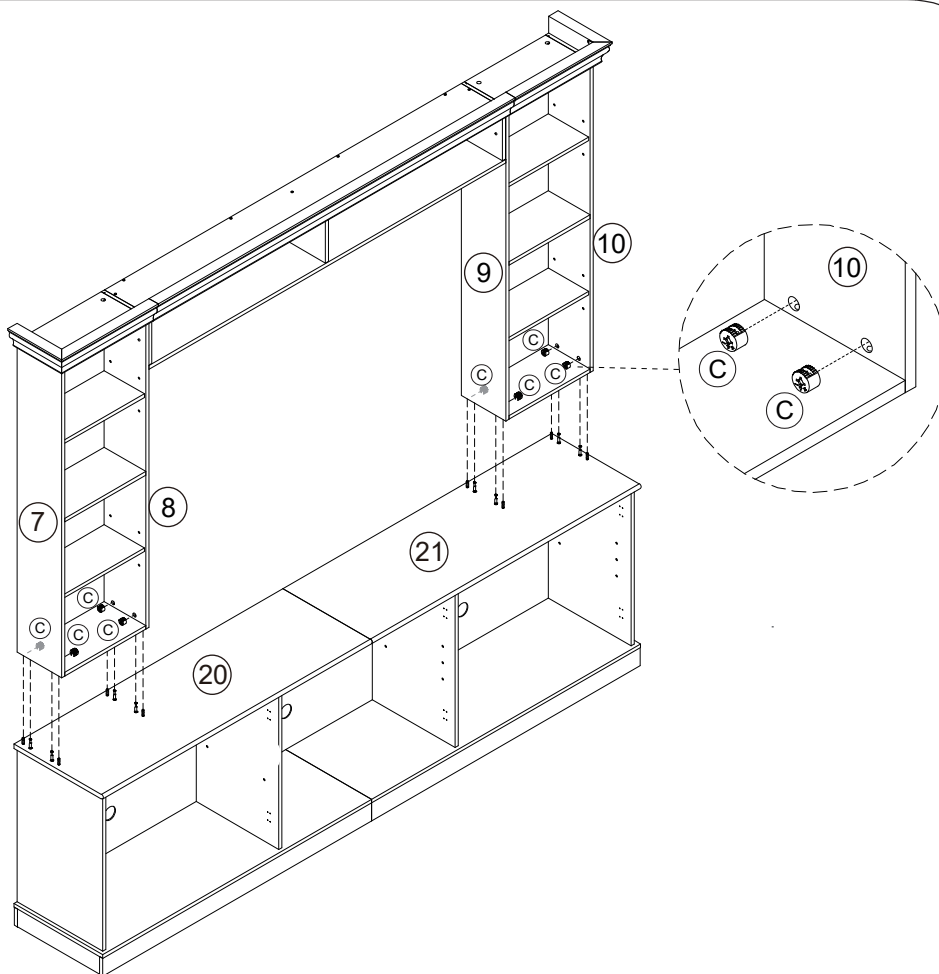
Step 32



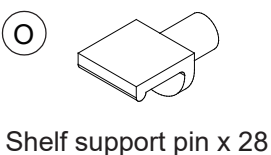
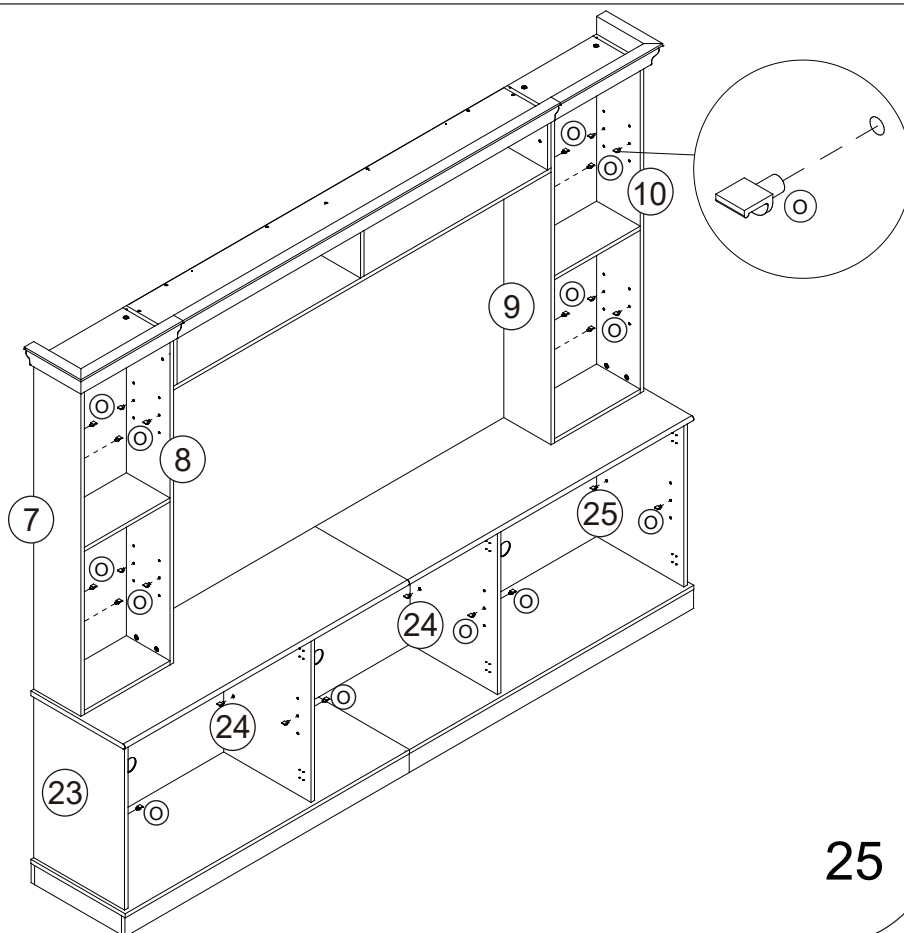
Assembly Instructions

Step 33

Be careful !
At least two people are
required to complete
this step together.

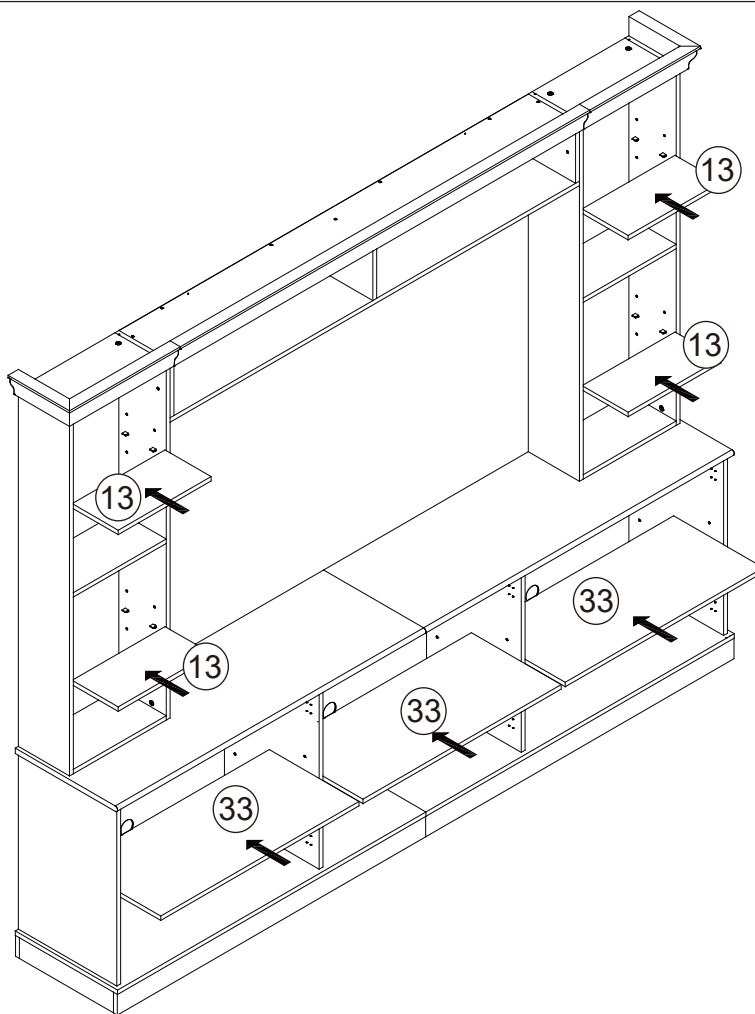


Step 34

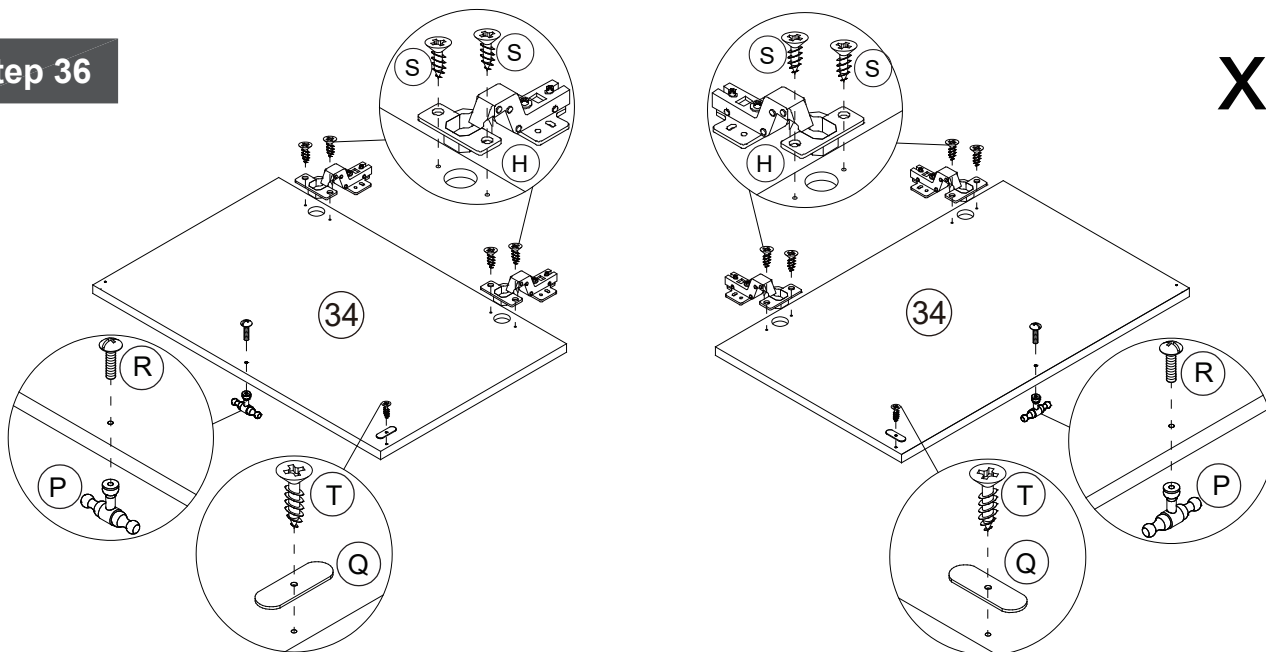


Assembly Instructions



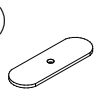
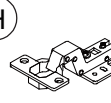
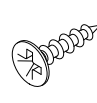
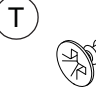
Step 35



Step 36

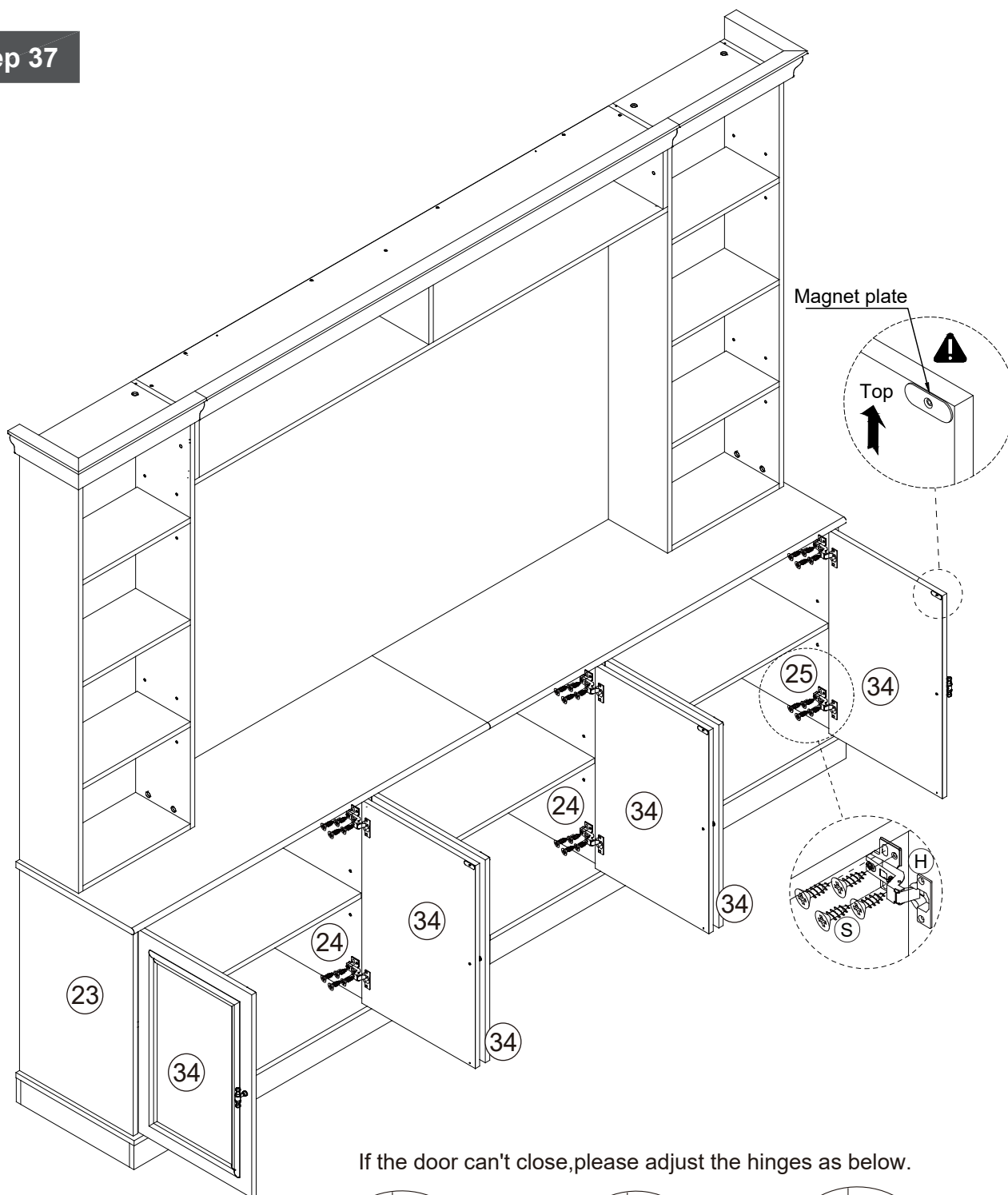


x3

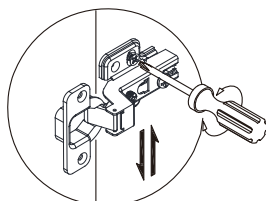
<p>P</p>  <p>Handle x 6</p>	<p>R</p>  <p>8*19mm Bolt x 6</p>	<p>Q</p>  <p>Magnet plate x 6</p>	<p>H</p>  <p>Hinge x 12</p>	<p>S</p>  <p>7*15mm Screw x 24</p>	<p>T</p>  <p>6*12mm Screw x 6</p>
-----------------------------------------------------------------------------------------------------------------------	----------------------------------------------------------------------------------------------------------------------------	-----------------------------------------------------------------------------------------------------------------------------	-----------------------------------------------------------------------------------------------------------------------	-------------------------------------------------------------------------------------------------------------------------------	-------------------------------------------------------------------------------------------------------------------------------

Assembly Instructions

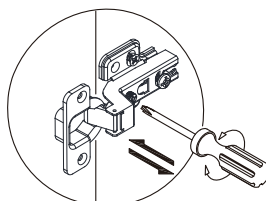
Step 37



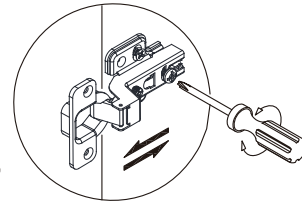
If the door can't close, please adjust the hinges as below.



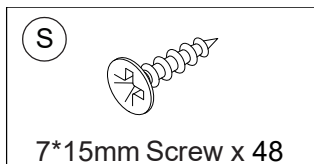
This is used to adjust the door panel in the up and down direction.



This is used to adjust the door panel in the left and right direction.



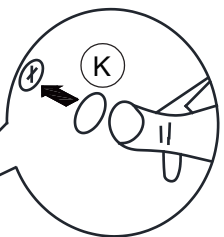
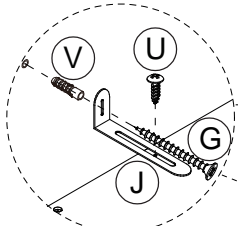
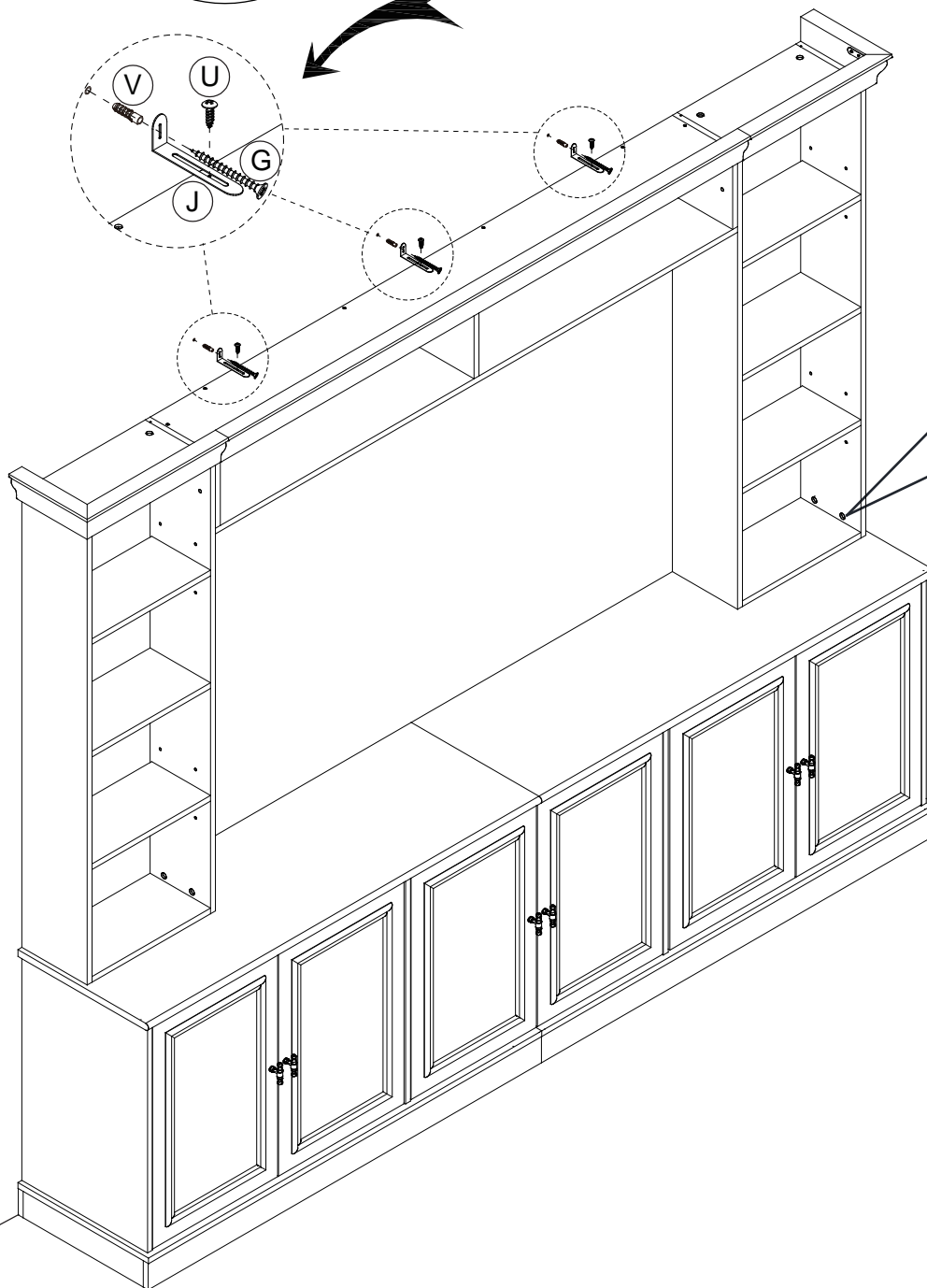
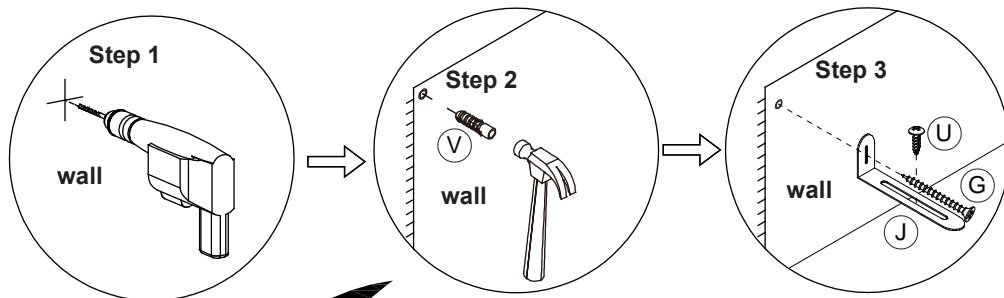
This is used to adjust the door panel in the front and rear.


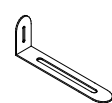





Assembly Instructions

Step 38

WALL



<p>(K)</p>  <p>Perfect fit x 16</p>	<p>(J)</p>  <p>Anti-tip L Bracket x 3</p>	<p>(G)</p>  <p>8*38mm Screw x 3</p>	<p>(U)</p>  <p>7*15mm Screw x 3</p>	<p>(V)</p>  <p>Anchor x 3</p>
------------------------------------------------------------------------------------------------------------------------	------------------------------------------------------------------------------------------------------------------------------	------------------------------------------------------------------------------------------------------------------------	-------------------------------------------------------------------------------------------------------------------------	--------------------------------------------------------------------------------------------------------------------

Assembly Instructions

Finish

