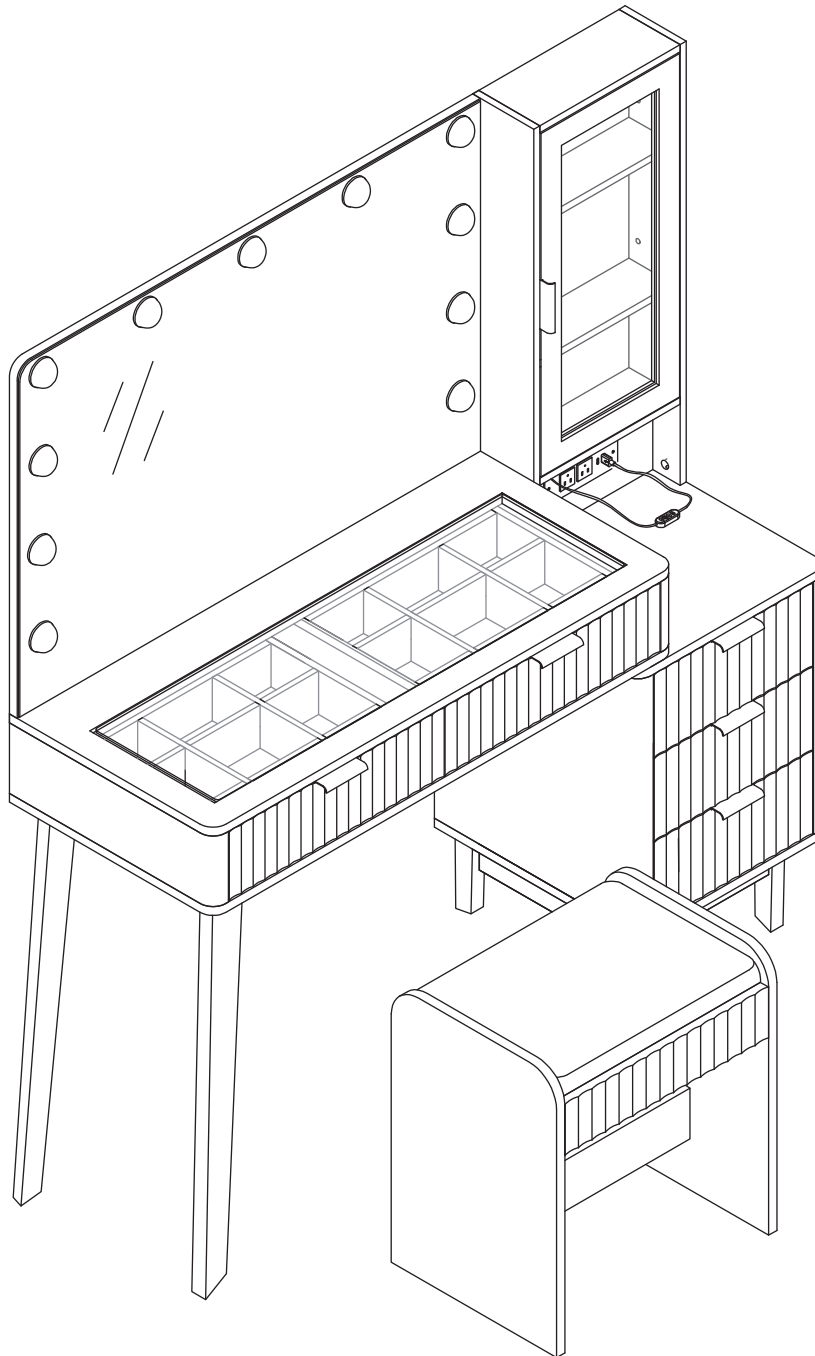


CollaredEagle

Dressing table

VD007



Suggestion: To make the installation process easier and faster, we recommend that two people work together to install the Dressing table.

Helpful Hints

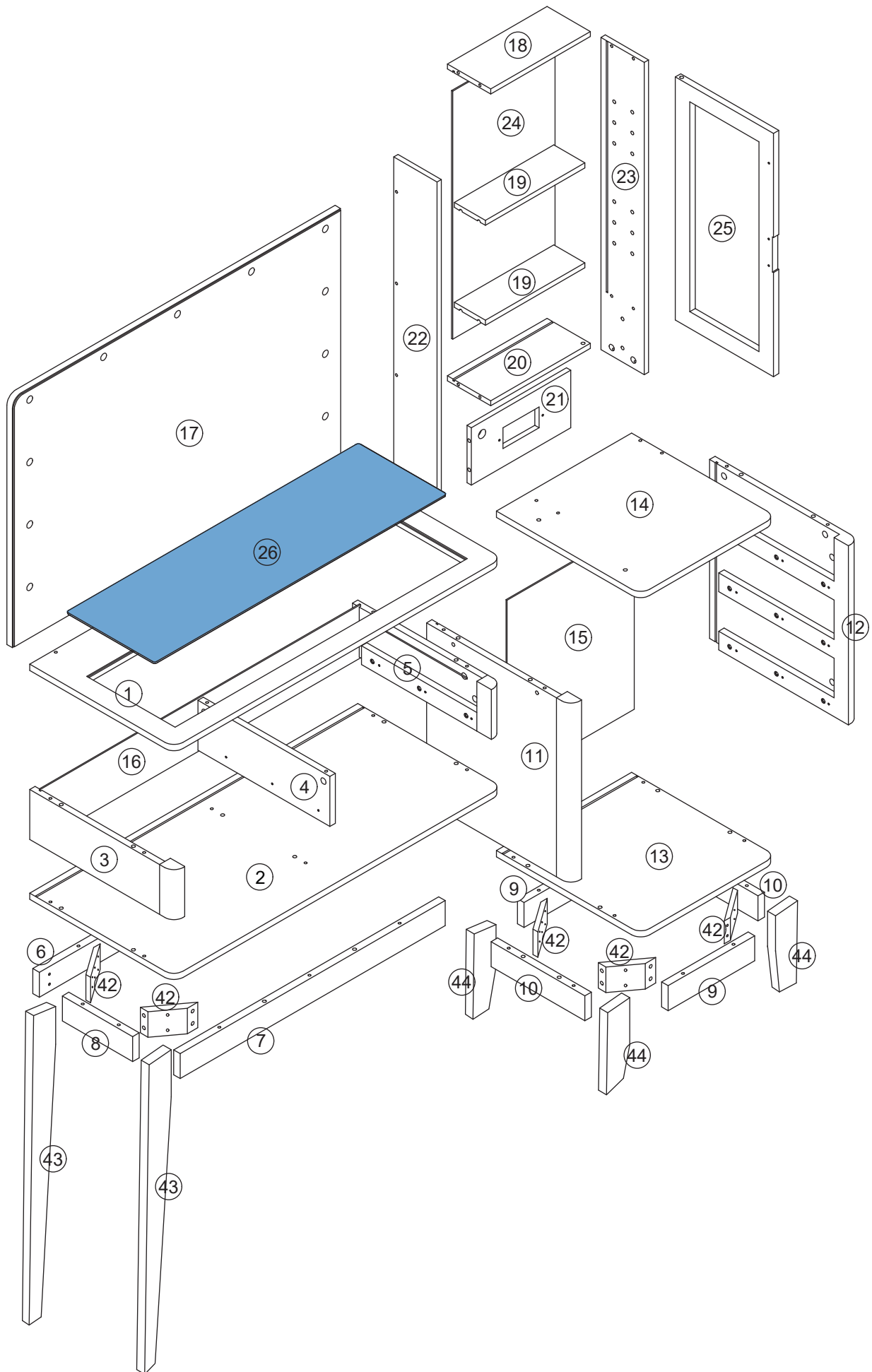
1. We recommend two people to assemble the product easier and faster.
2. Please DO NOT tighten the screws deeply during assembling avoiding that metal frame can be bent and plank will crack.
3. We recommend that all screws should not be tightened over during assembling to make it easy to adjust. When it is adjusted to proper station all screws should be tightened.
4. Caution: If using a power drill or power screwdriver for screwing, please be aware of to slow down and stop when screw is tight. Failure to do so may result in stripping the screw.

Customer Service

As this item contains many parts, please read the installation instruction carefully before installation and complete the installation with the cooperation of your partner. Please use tools properly and carefully. If you have any questions about the product and installation, please contact us freely.  **CollaredEagle@163.com**

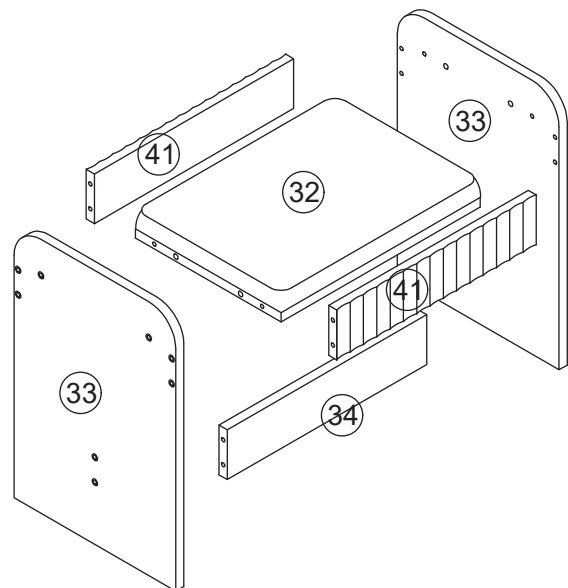
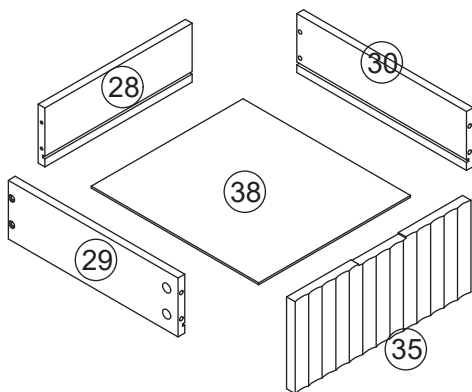
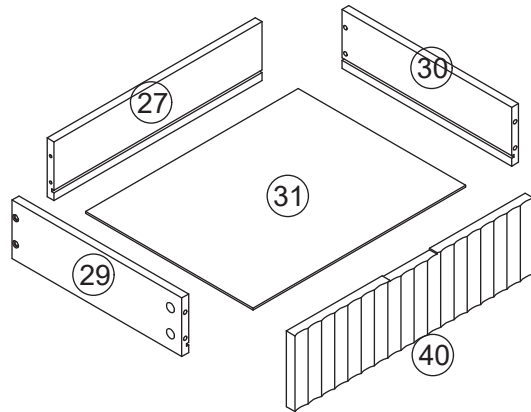
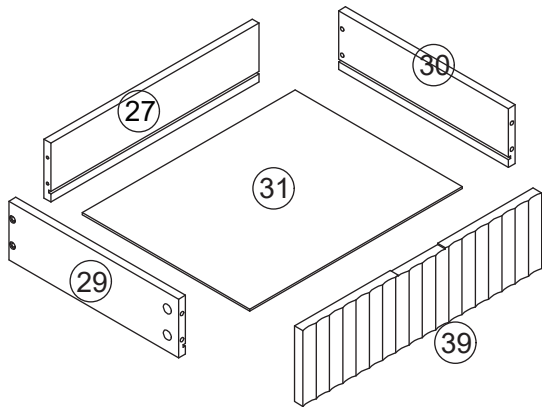
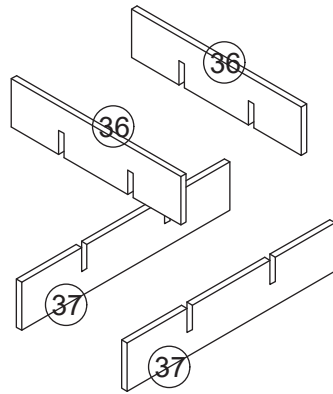
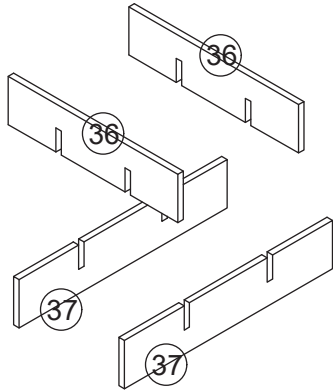
EXPLODED

INSTALLATION INSTRUCTIONS



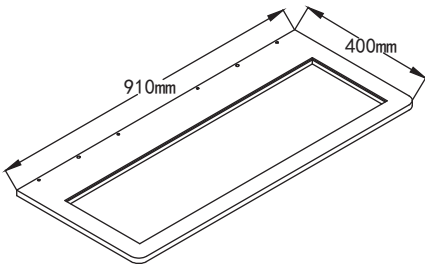
EXPLODED

INSTALLATION INSTRUCTIONS

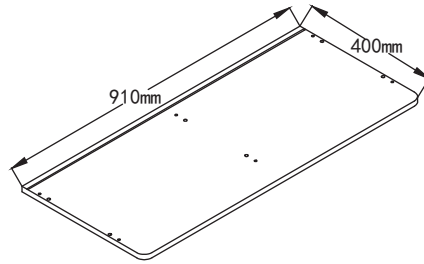


X3

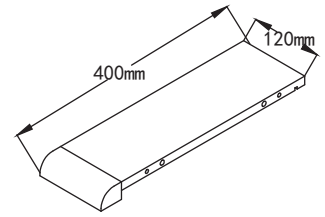
Accessories list



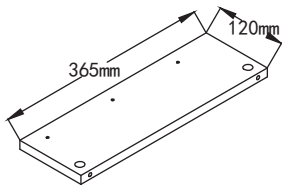
①
Qty: 1



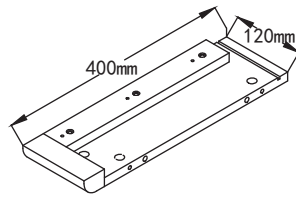
②
Qty: 1



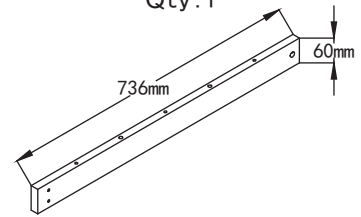
③
Qty: 1



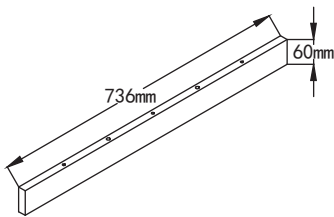
④
Qty: 1



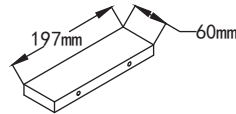
⑤
Qty: 1



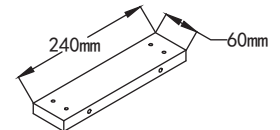
⑥
Qty: 1



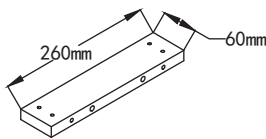
⑦
Qty: 1



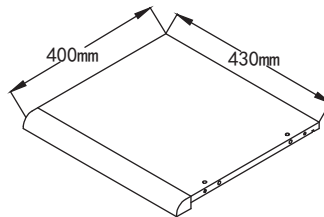
⑧
Qty: 1



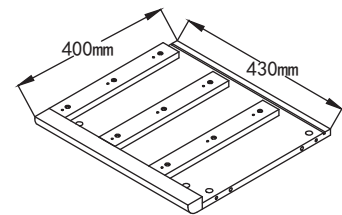
⑨
Qty: 2



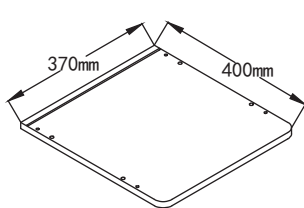
⑩
Qty: 2



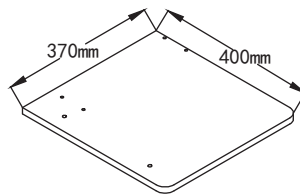
⑪
Qty: 1



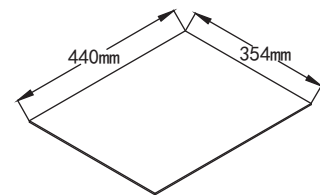
⑫
Qty: 1



⑬
Qty: 1



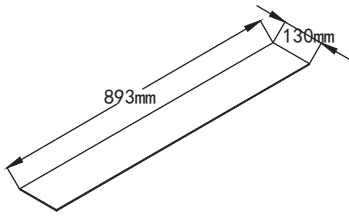
⑭
Qty: 1



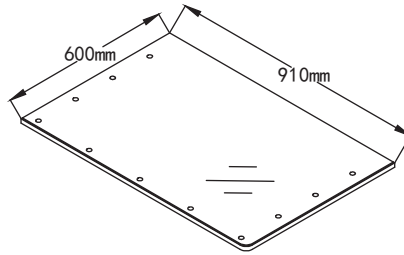
⑮
Qty: 1

In many cases, we include additional hardware. Therefore, after following the assembly instructions, do not worry if there are any extra parts - they are provided as a precautionary measure for convenience.

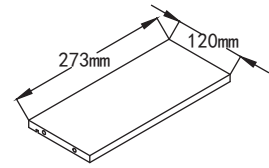
Accessories list



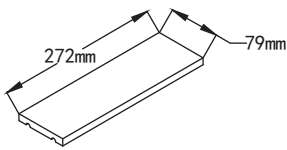
①⑥
Qty: 1



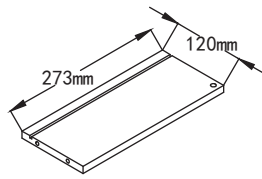
①⑦
Qty: 1



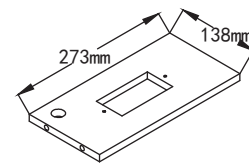
①⑧
Qty: 1



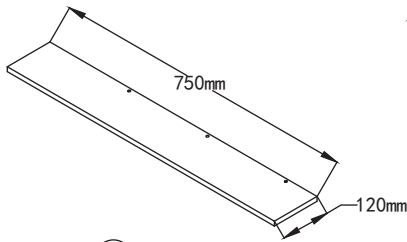
①⑨
Qty: 2



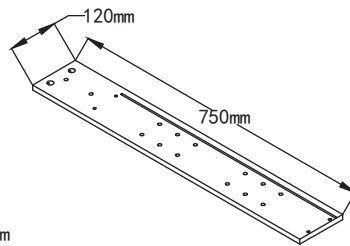
②⑩
Qty: 1



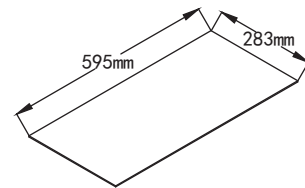
②①
Qty: 1



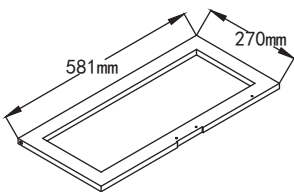
②②
Qty: 1



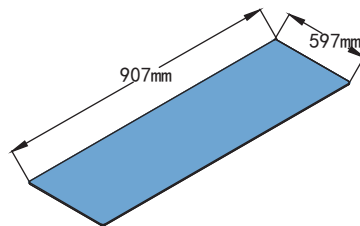
②③
Qty: 1



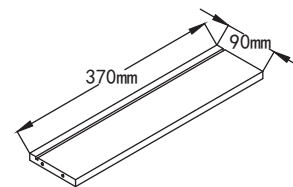
②④
Qty: 1



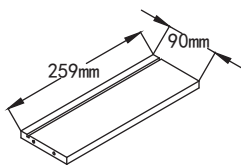
②⑤
Qty: 1



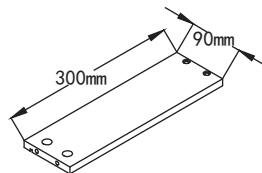
②⑥
Qty: 1



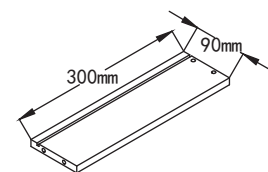
②⑦
Qty: 2



②⑧
Qty: 3



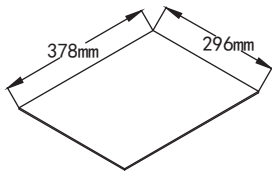
②⑨
Qty: 5



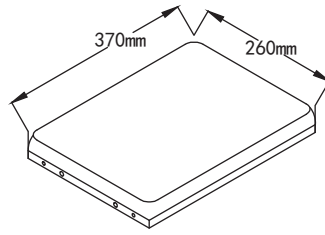
③⑩
Qty: 5

In many cases, we include additional hardware. Therefore, after following the assembly instructions, do not worry if there are any extra parts - they are provided as a precautionary measure for convenience.

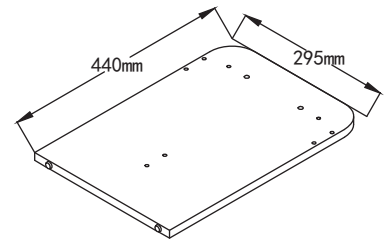
Accessories list



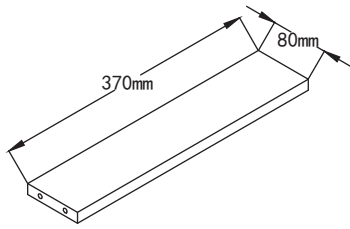
③①
Qty: 2



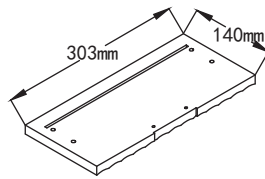
③②
Qty: 1



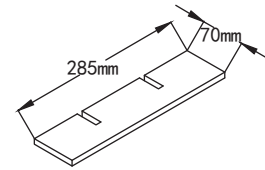
③③
Qty: 2



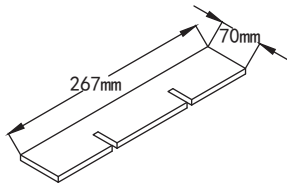
③④
Qty: 1



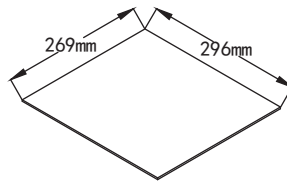
③⑤
Qty: 3



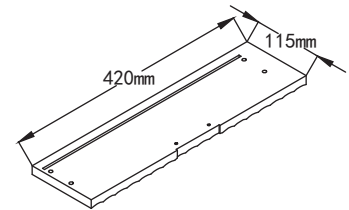
③⑥
Qty: 4



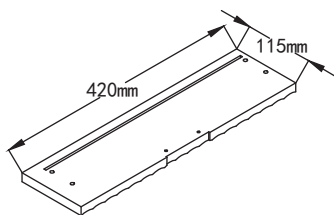
③⑦
Qty: 4



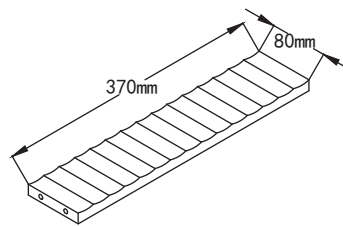
③⑧
Qty: 3



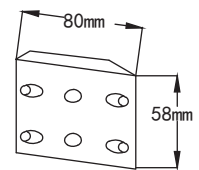
③⑨
Qty: 1



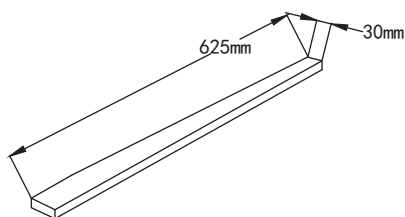
④①
Qty: 1



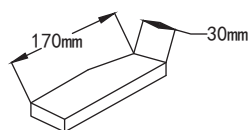
④②
Qty: 2



④③
Qty: 6



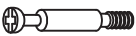


































④④
Qty: 2



④⑤
Qty: 4

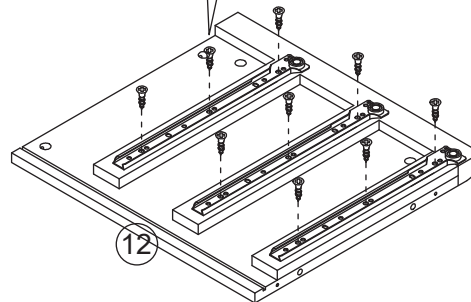
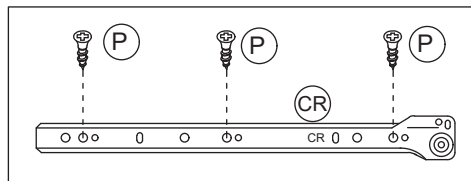
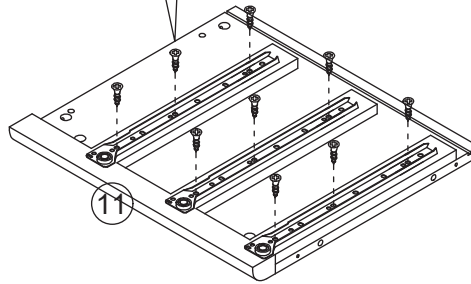
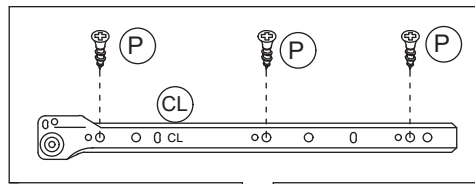
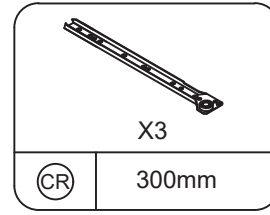
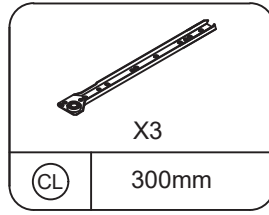
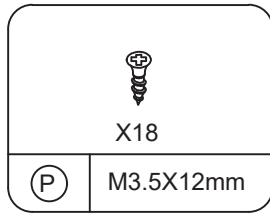
In many cases, we include additional hardware. Therefore, after following the assembly instructions, do not worry if there are any extra parts - they are provided as a precautionary measure for convenience.

Accessories list

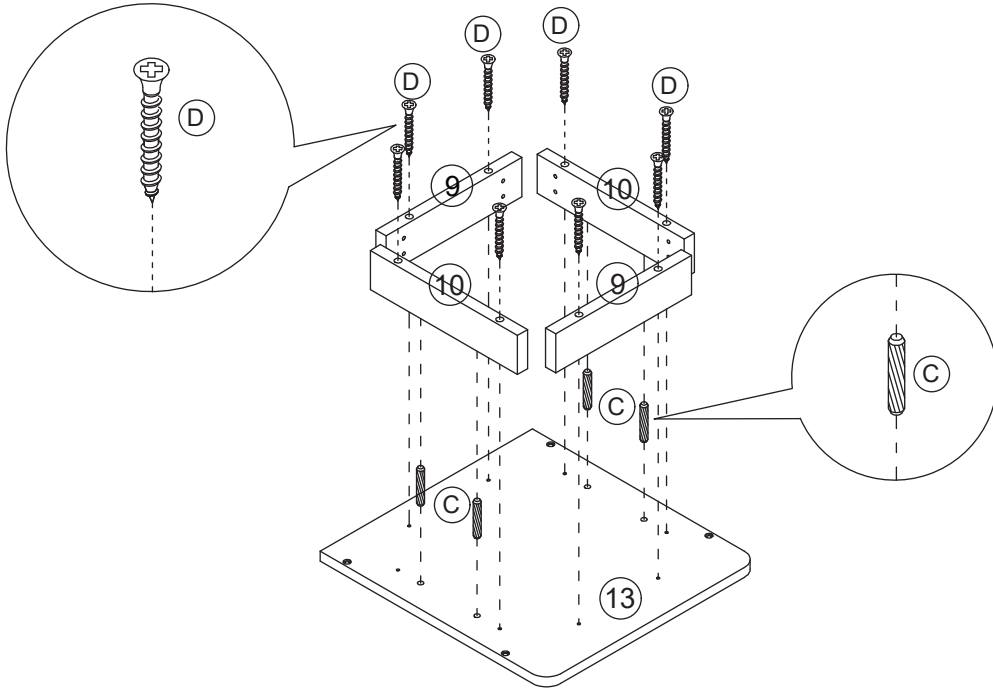
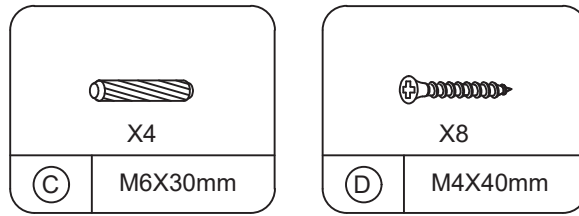
 X48+2 (A) M6.5X35mm	 X48+2 (B) Ø15X9.5mm	 X34+2 (C) M6X30mm	 X39+2 (D) M4X40mm	 X10+1 (E) M5X40mm
 X1 (F) M3mm	 X24+1 (G) M4X25mm	 X6 (H)	 X1 (I)	 X2 (J)
 X1 (K) M35X12mm	 X16+1 (L)	 X18+1 (M) M3X14mm	 X2 (N) M6X25mm	 X1 (O) M3X12mm
 X62+1 (P) M3.5X12mm	 X1 (Q)	 X12+1 (R)	 X12+1 (S)	 X14 (T) M6X60mm
 X1 (U)	 X8 (V)	 X16+1 (W) Ø20mm	 X1 (X)	 X1 (Y) M4mm
 X2 (Z) M4X12mm	 X2 (a) M3.5X12mm	 X2 (b)	 X16+1 (c) M5X40mm	 X10 X1 X1 X1 (d)
 X6 (e)	 X1 (f)	 X2 (g)	 X5 (CL) 300mm	 X5 (CR) 300mm
 X5 (DR) 300mm	 X5 (DL) 300mm			

In many cases, we include additional hardware. Therefore, after following the assembly instructions, do not worry if there are any extra parts - they are provided as a precautionary measure for convenience.

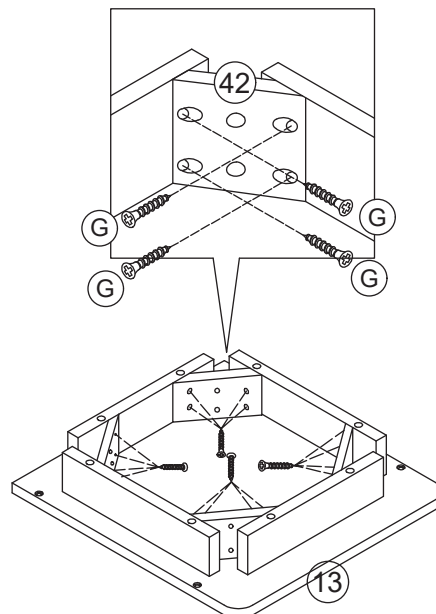
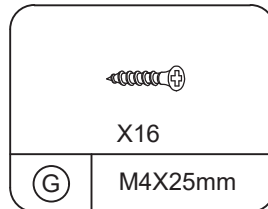
step 1



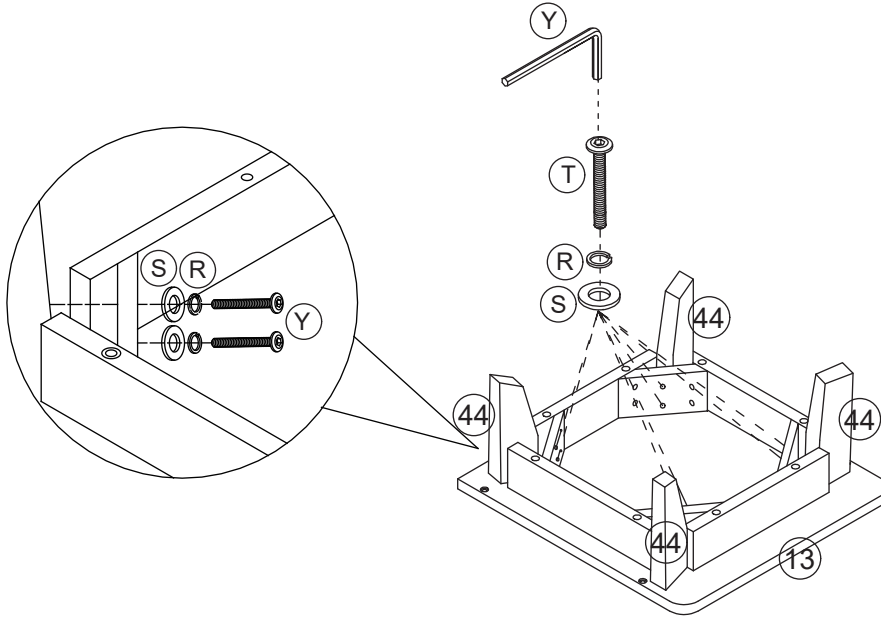
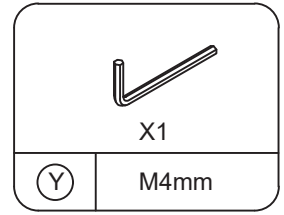
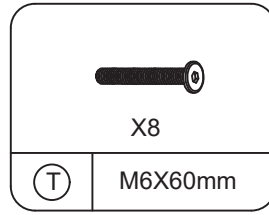
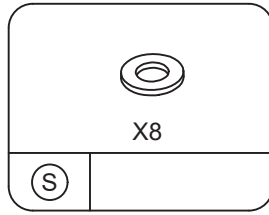
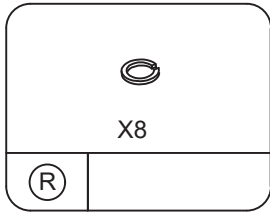
step 2



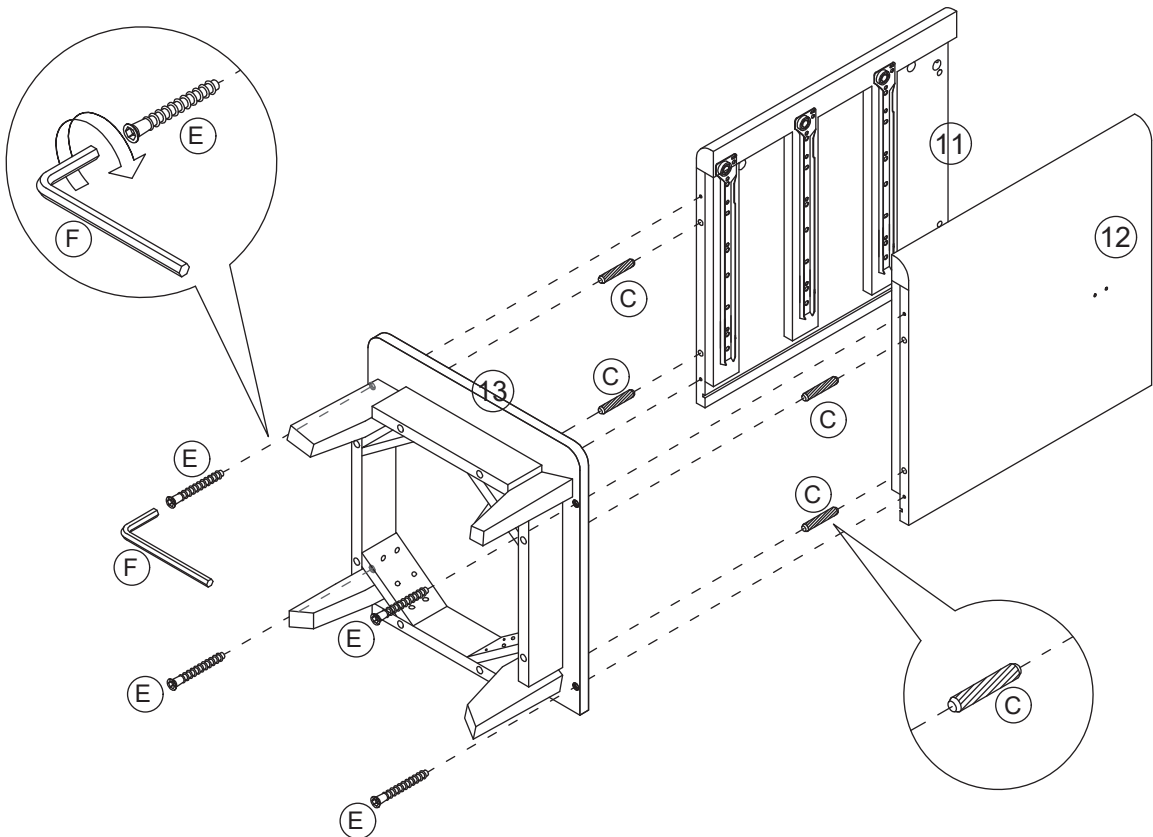
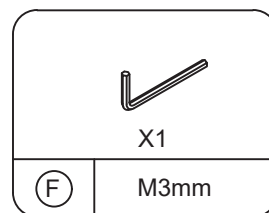
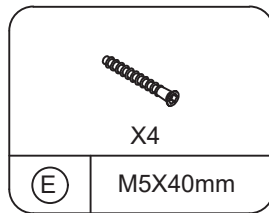
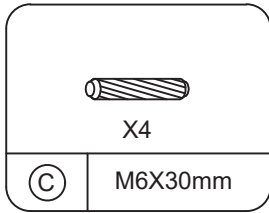
step 3



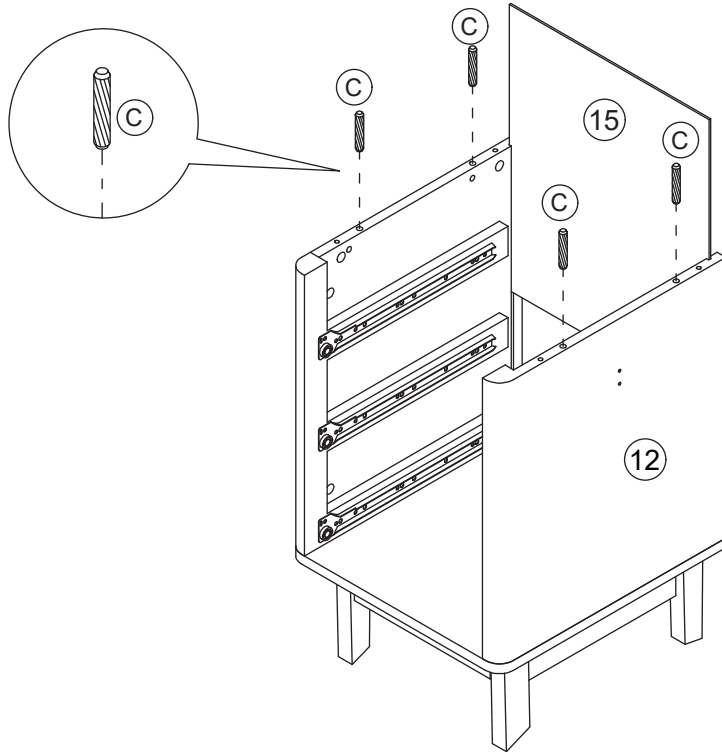
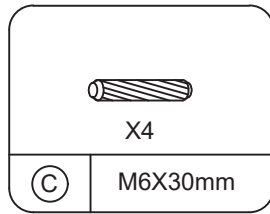
step 4



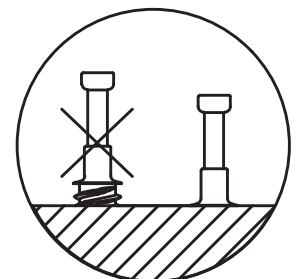
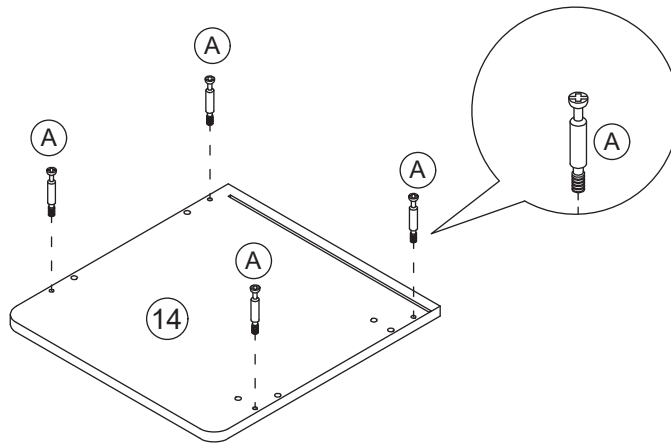
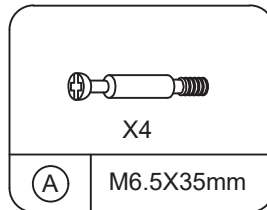
step 5



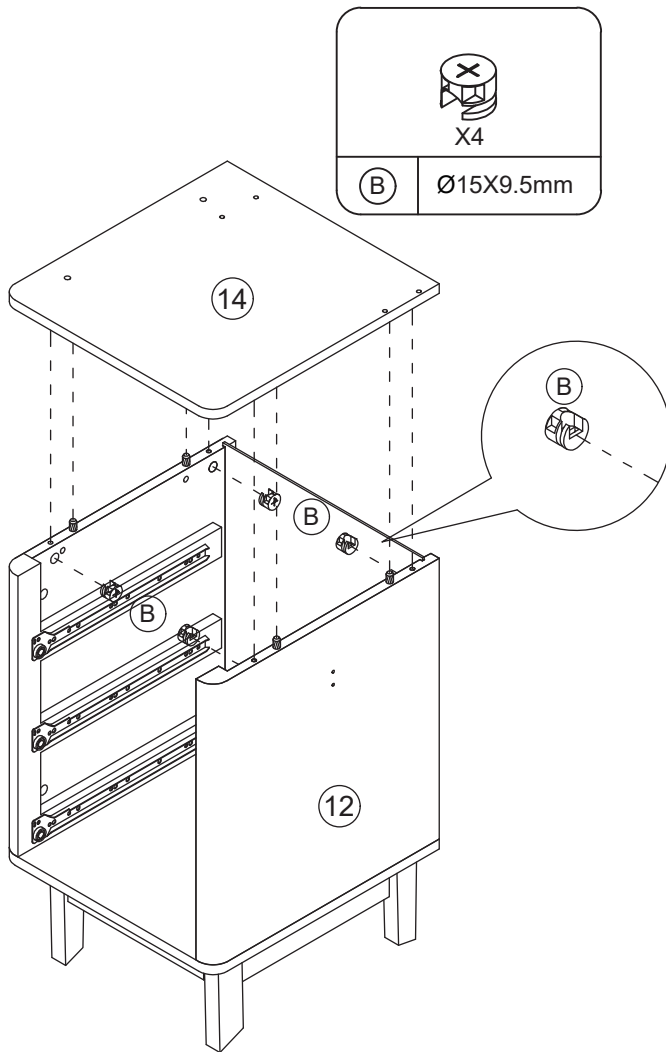
step 6



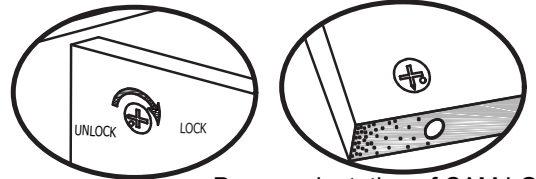
step 7



step 8

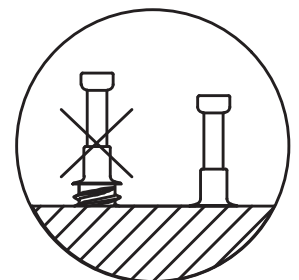
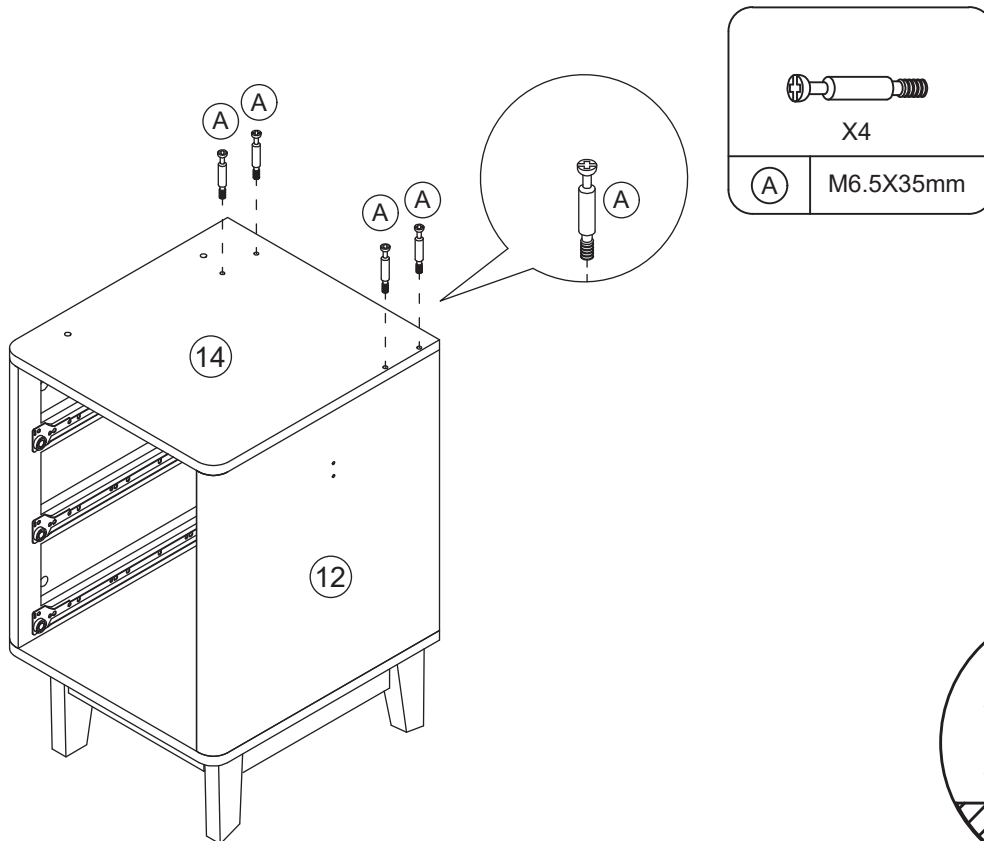


Insert the cam bolt into the hole first, then insert the cam lock and lock it.

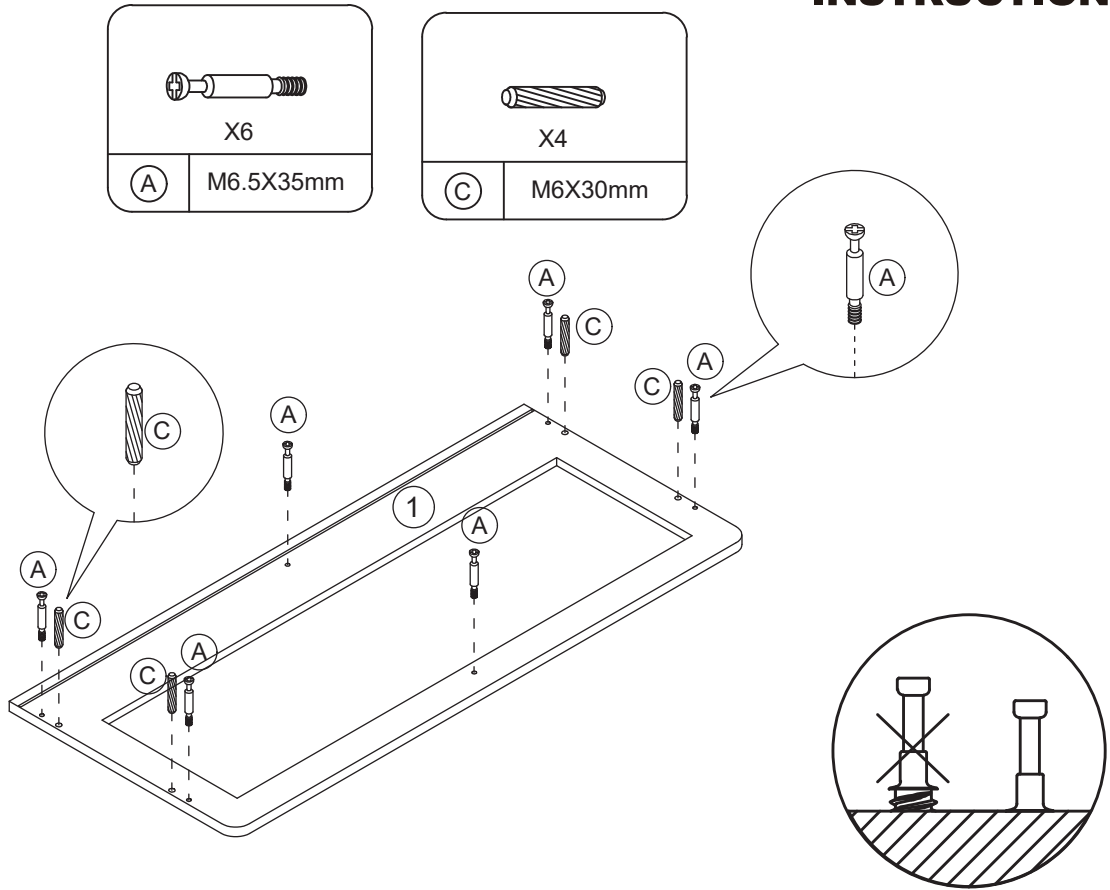


Proper orientation of CAM LOCK

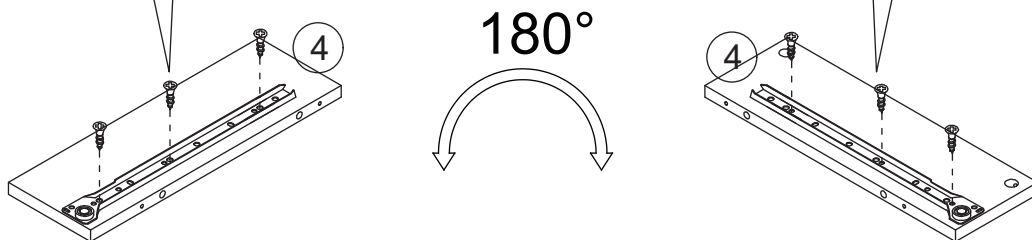
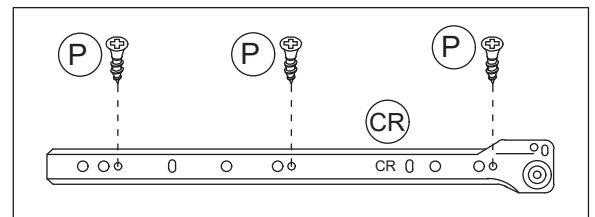
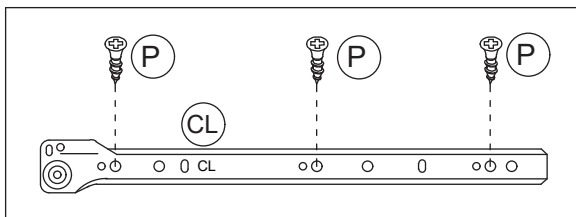
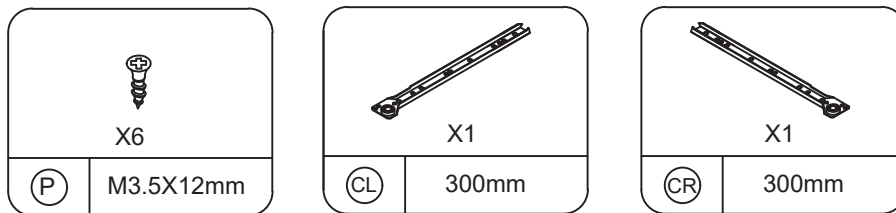
step 9



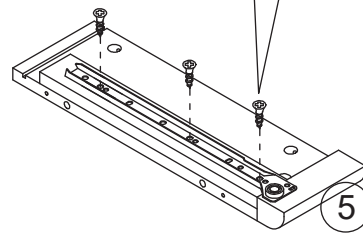
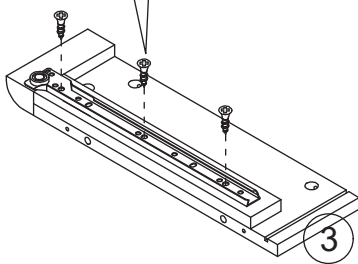
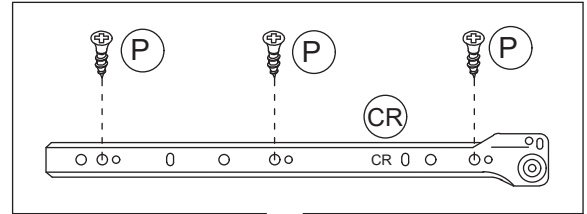
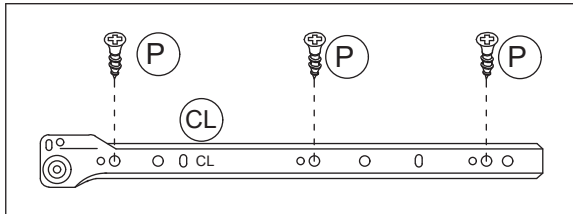
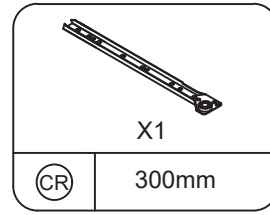
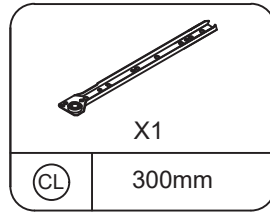
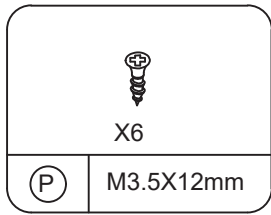
step 10



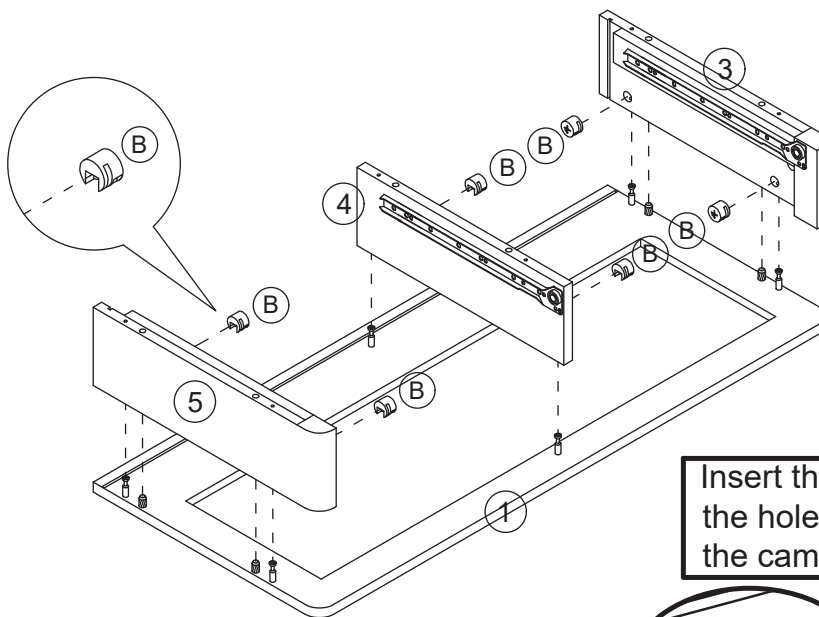
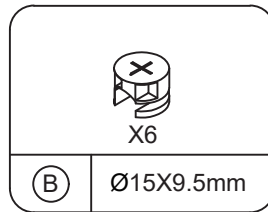
step 11



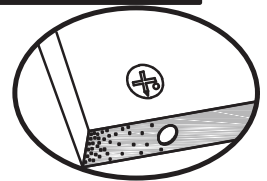
step 12



step 13

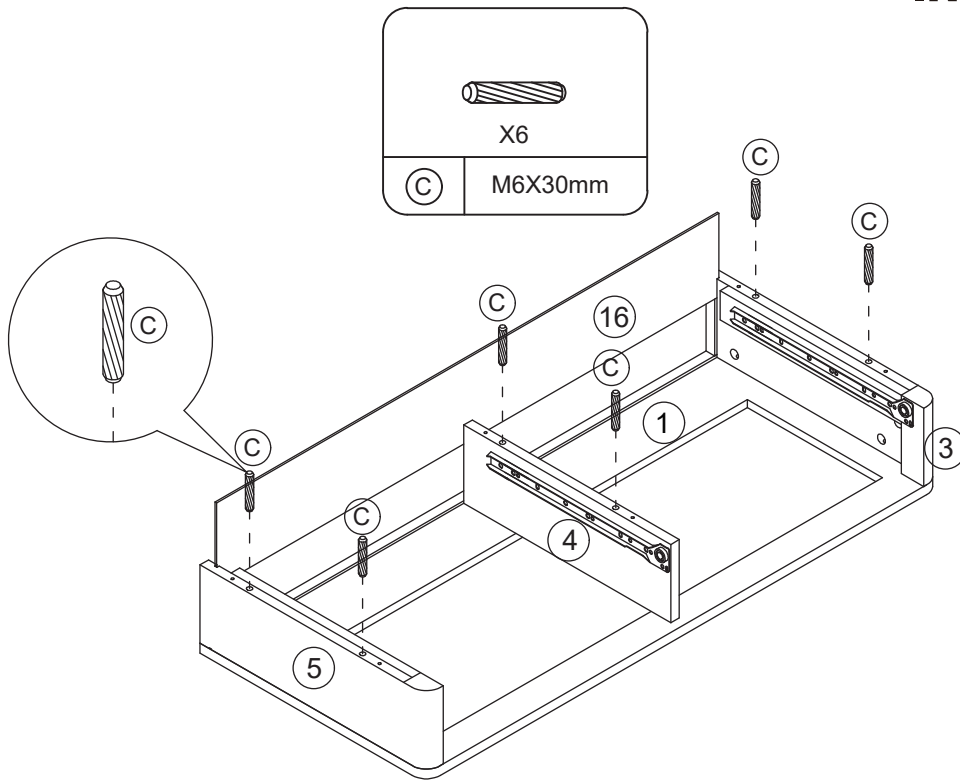


Insert the cam bolt into the hole first, then insert the cam lock and lock it.

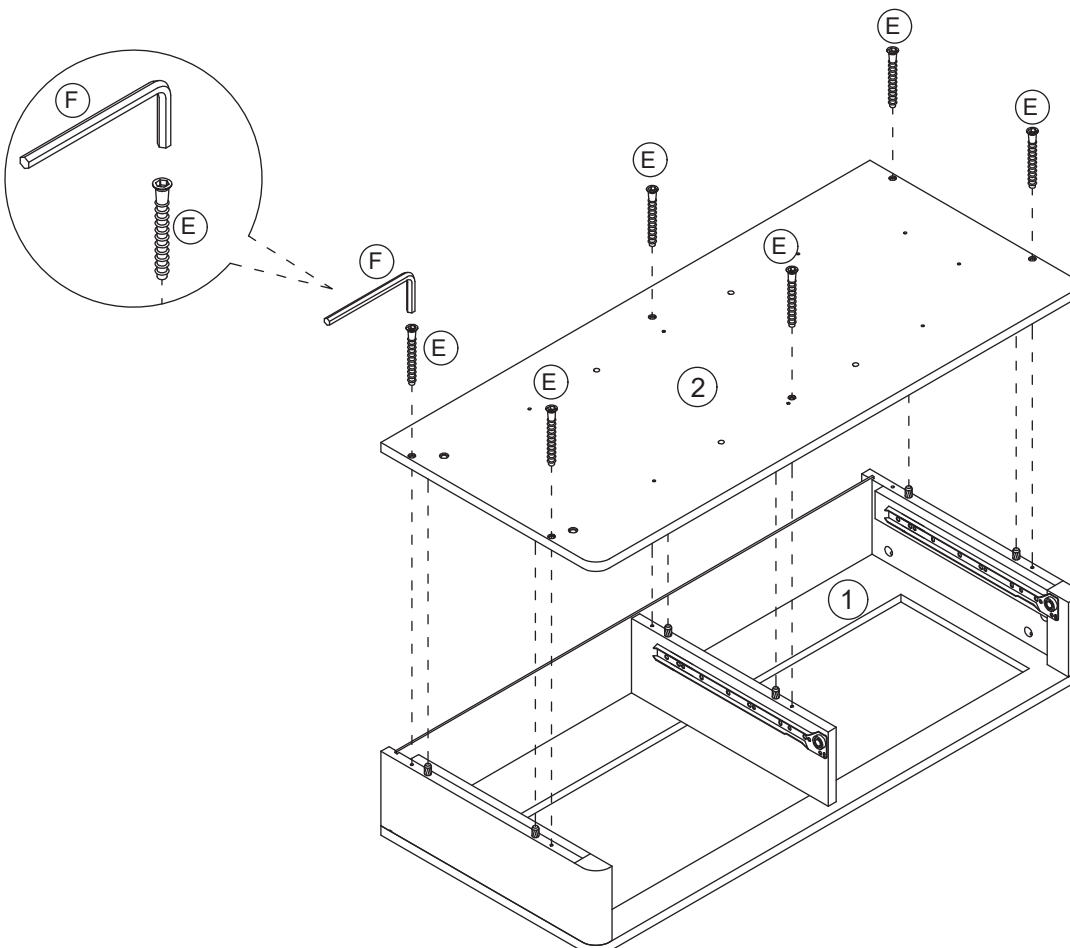
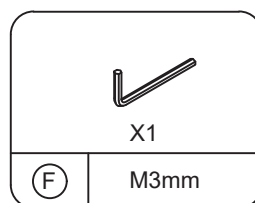
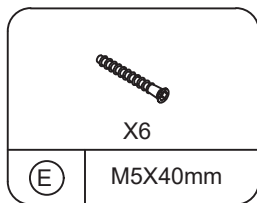


Proper orientation of CAM LOCK

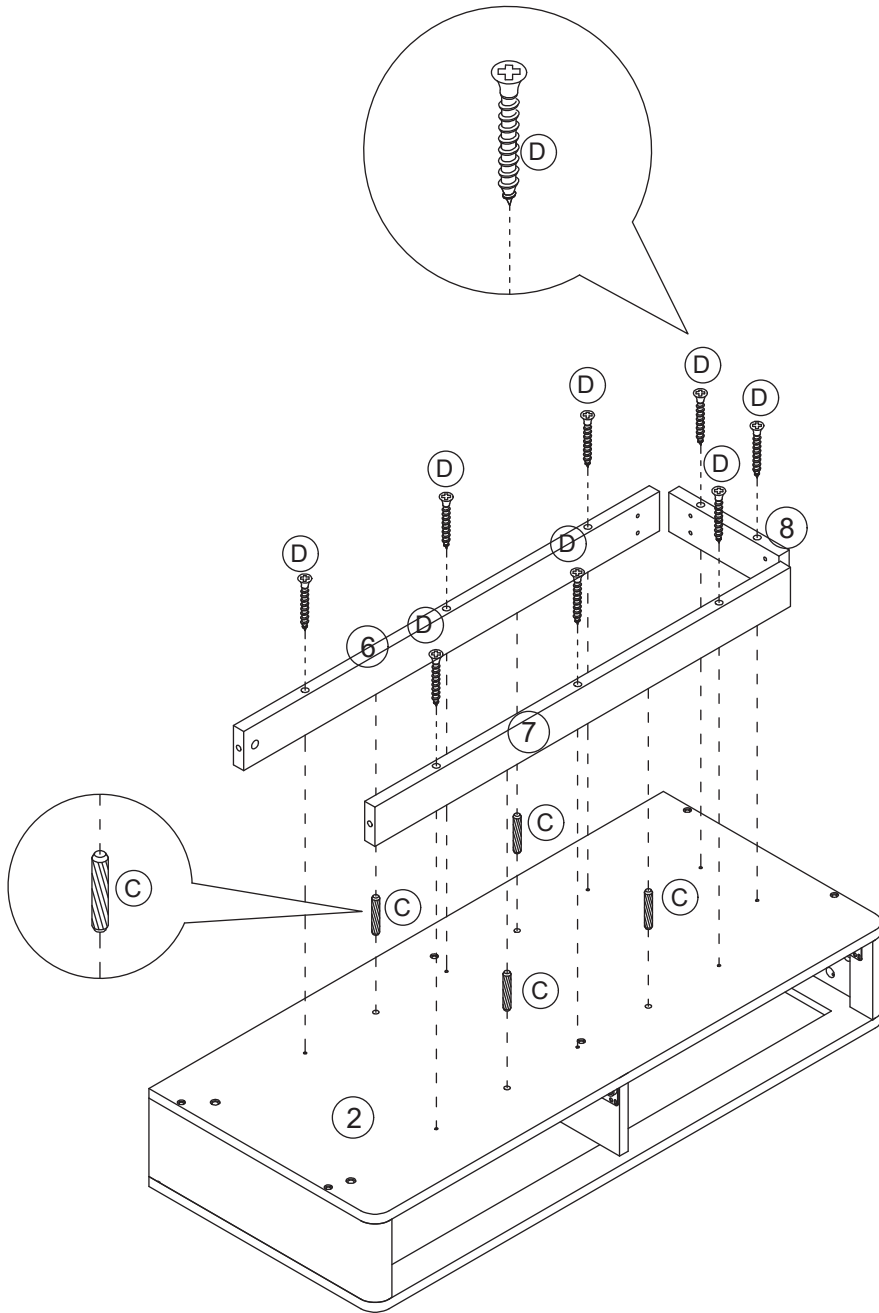
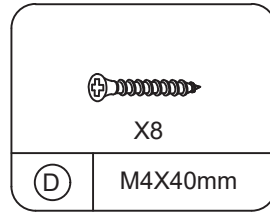
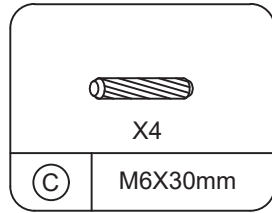
step 14



step 15




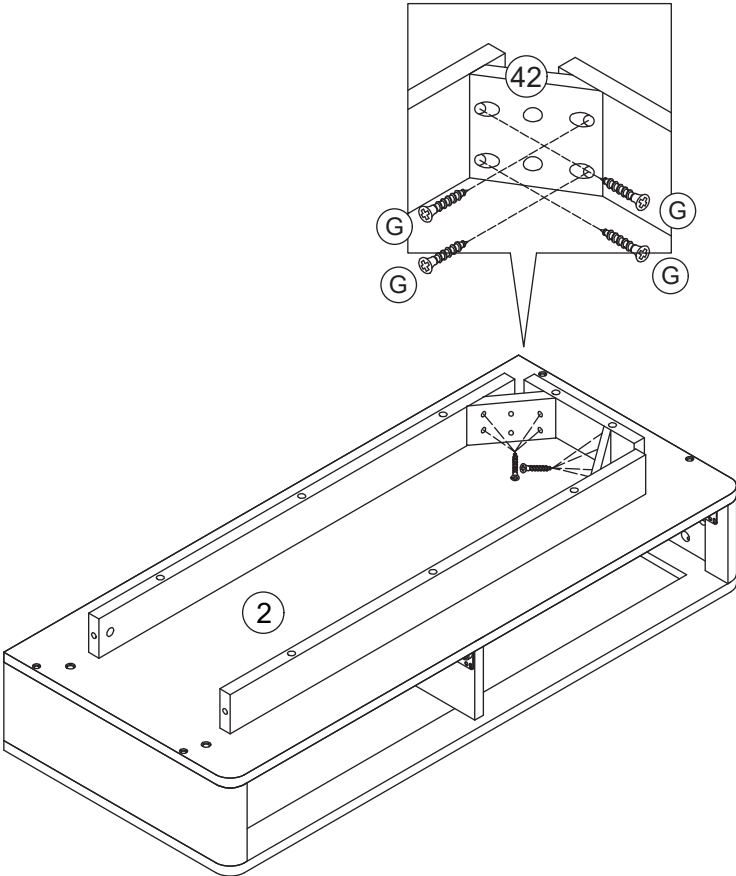
step 16



step 17



	
X8	
(G)	M4X25mm



step 18

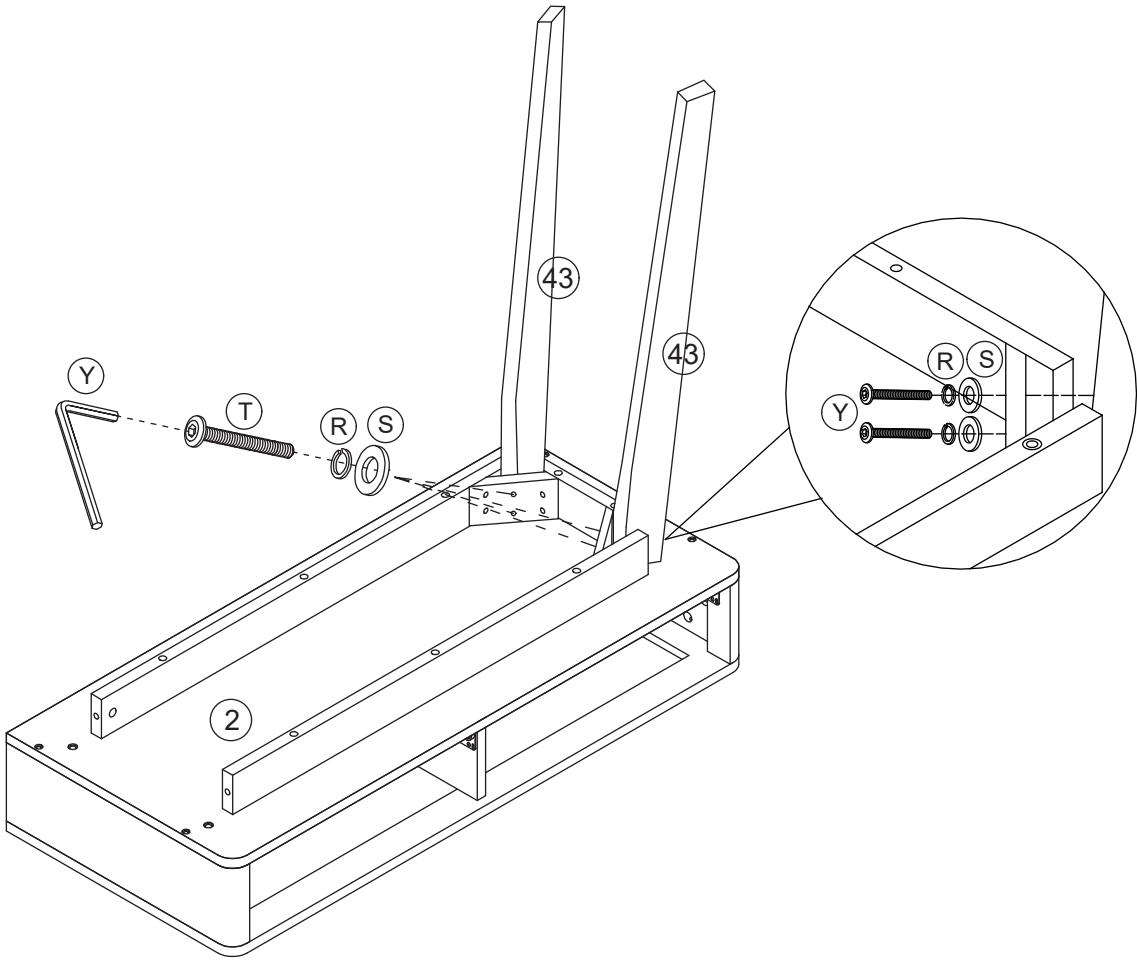


X4	
(R)	

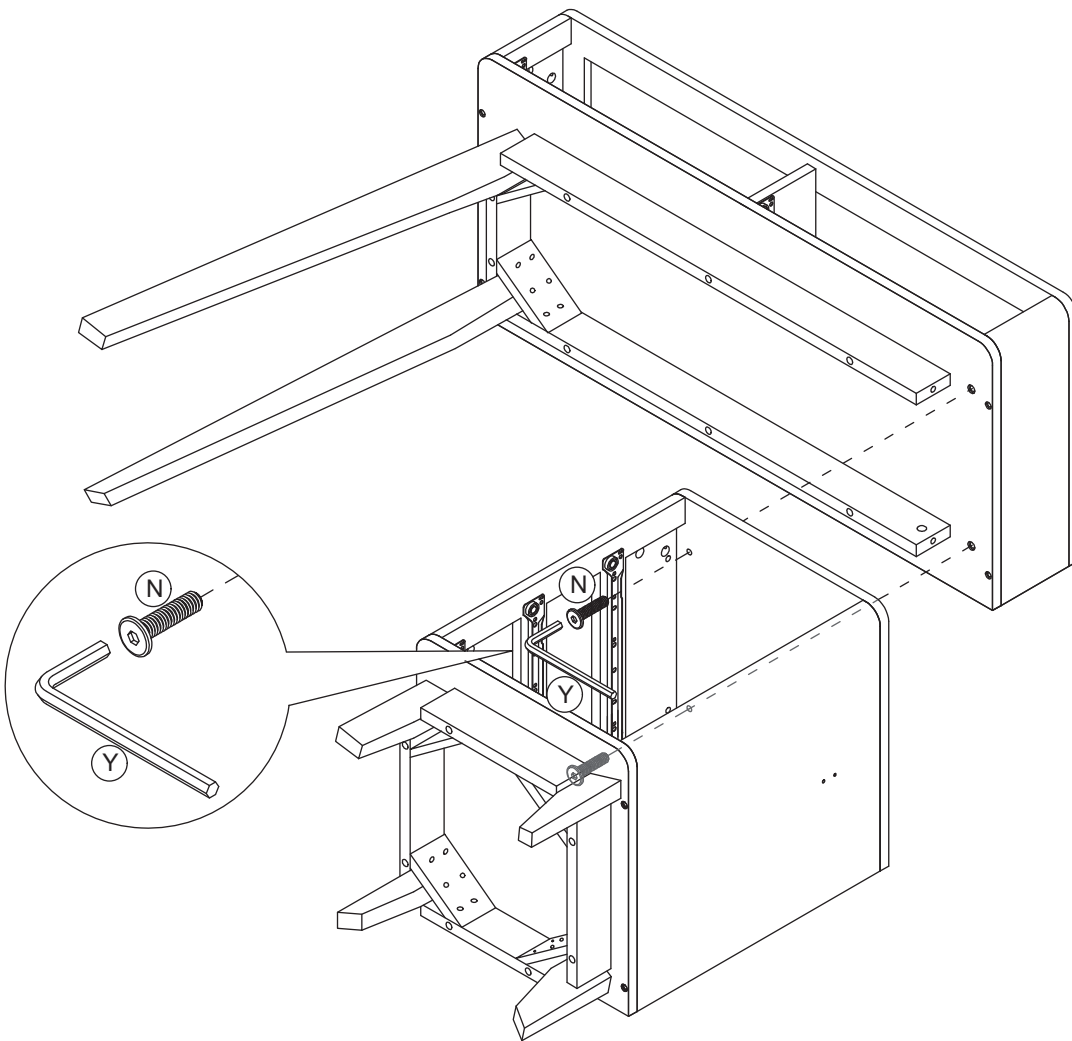
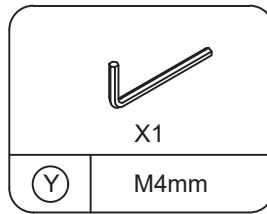
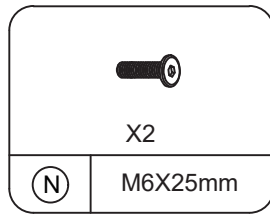
X4	
(S)	

X4	
(T)	M6X60mm

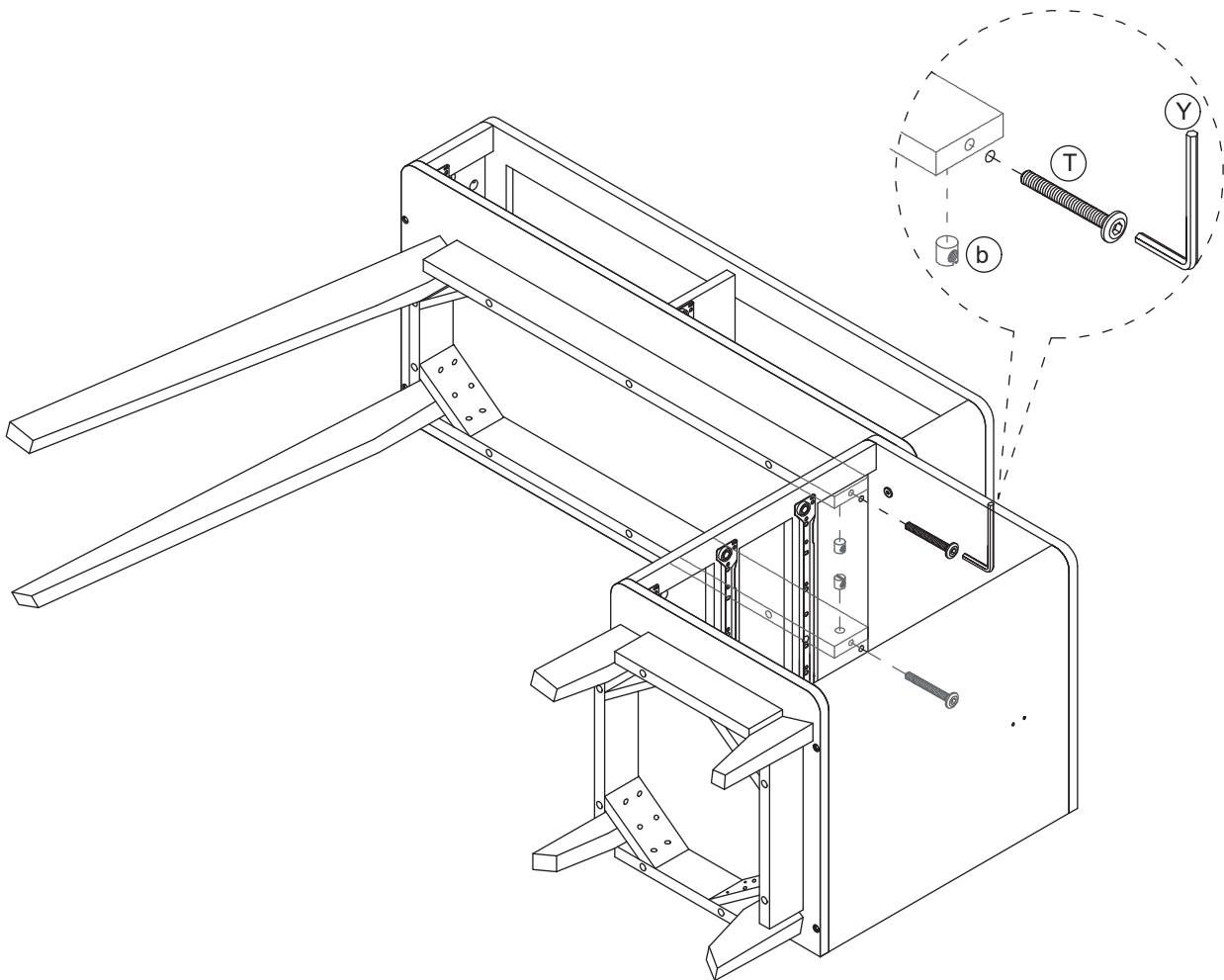
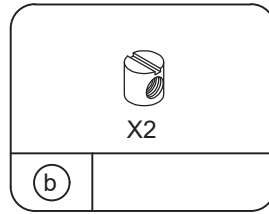
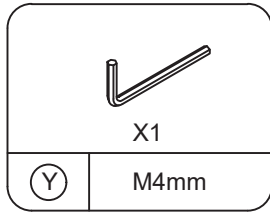
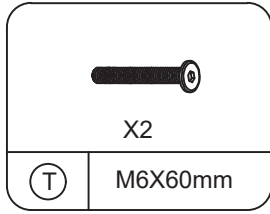
X1	
(Y)	M4mm



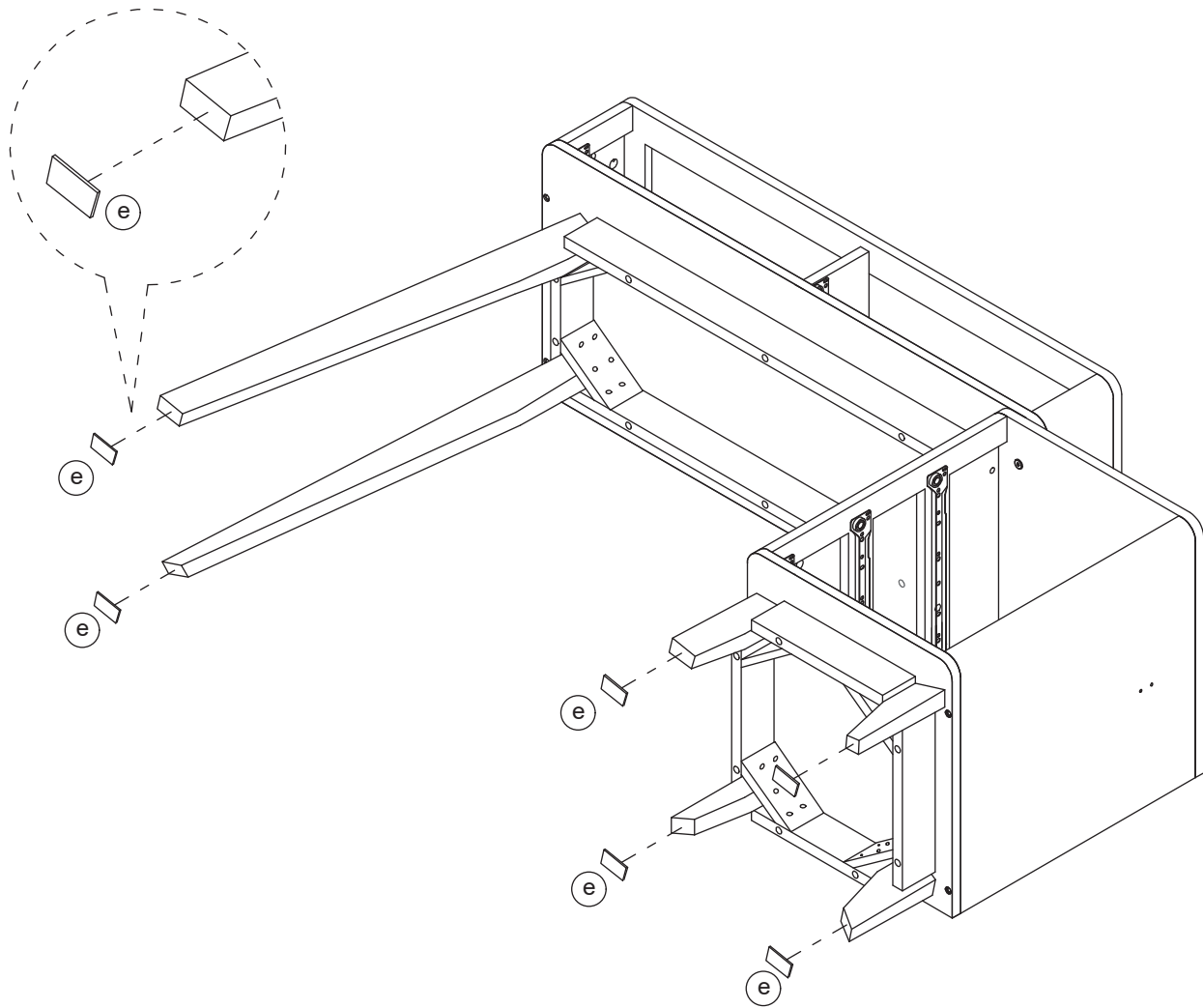
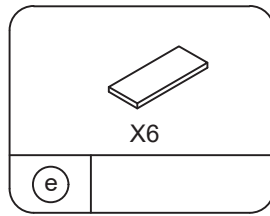
step 19



step 20

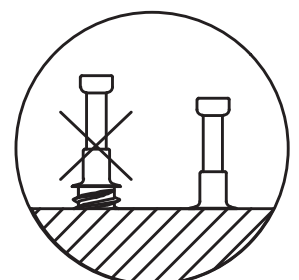
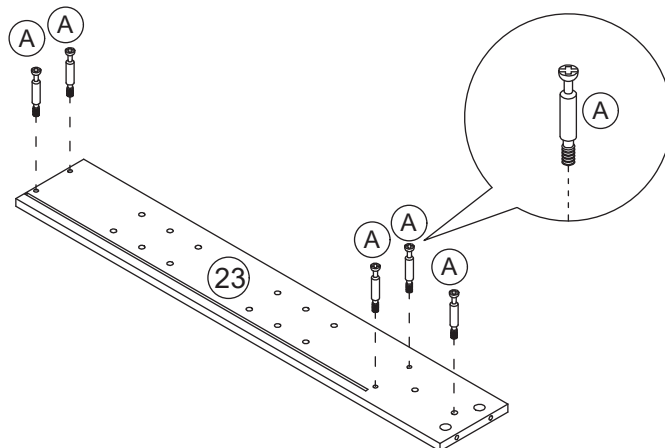
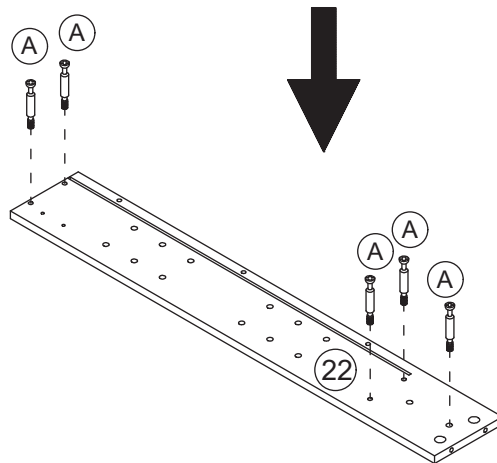
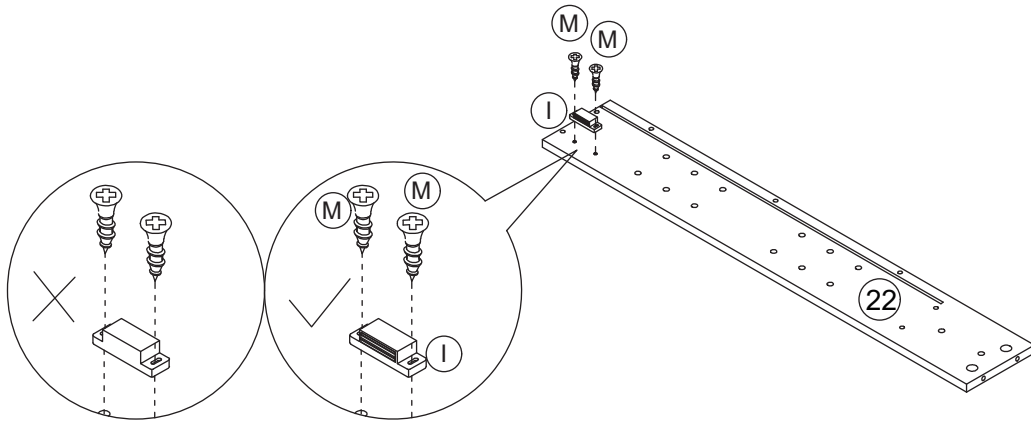
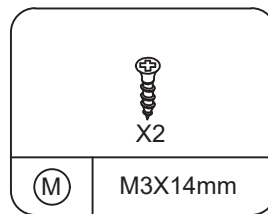
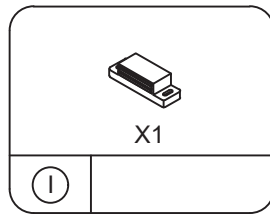
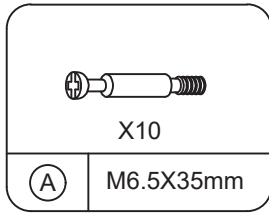


step 21

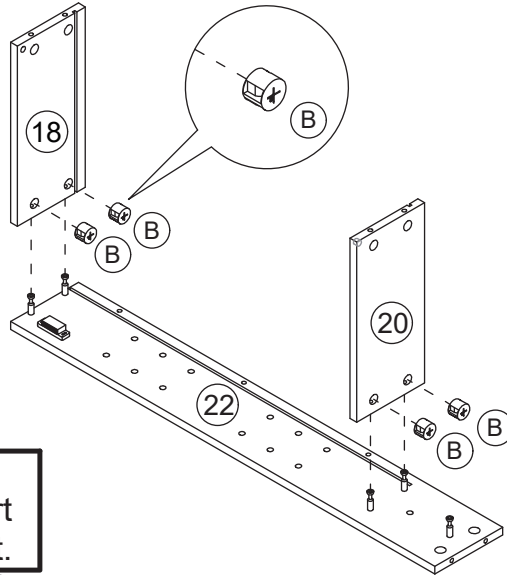
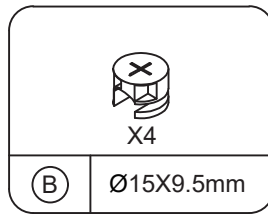


Peel off the film and stick it to the bottom of the cabinet feet.

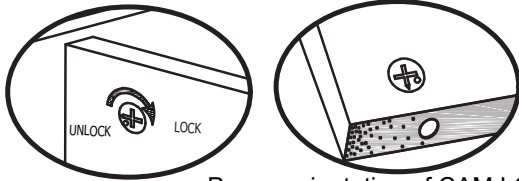
step 22



step 23

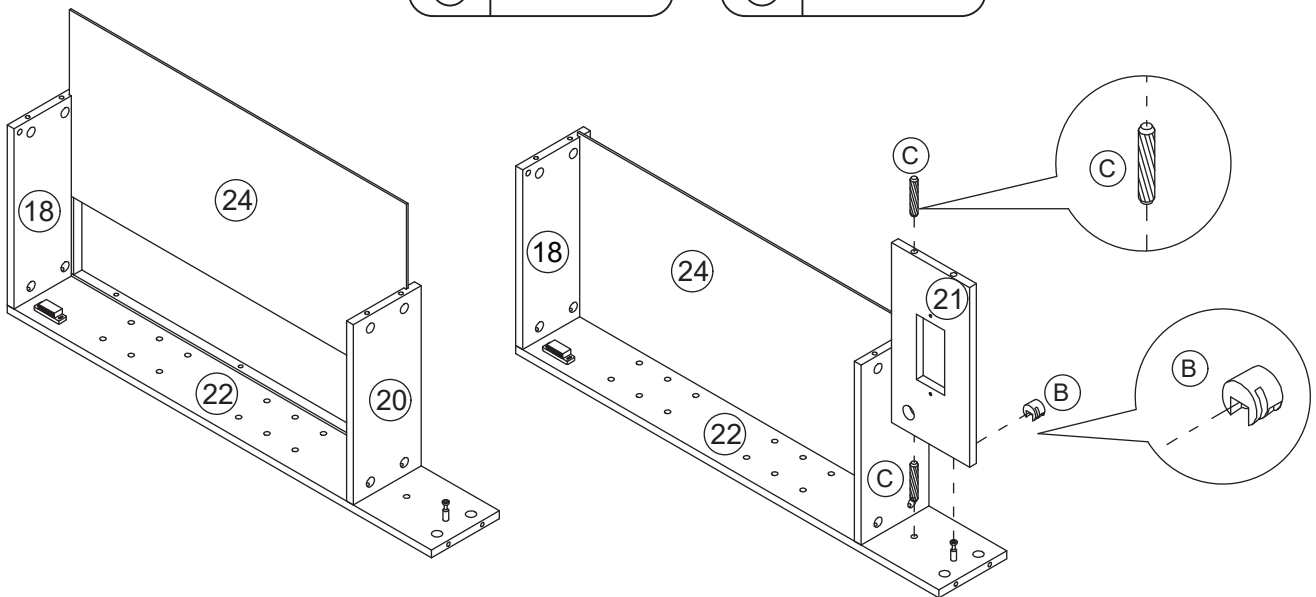
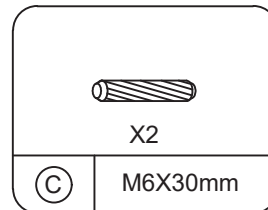
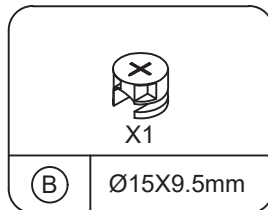


Insert the cam bolt into the hole first, then insert the cam lock and lock it.

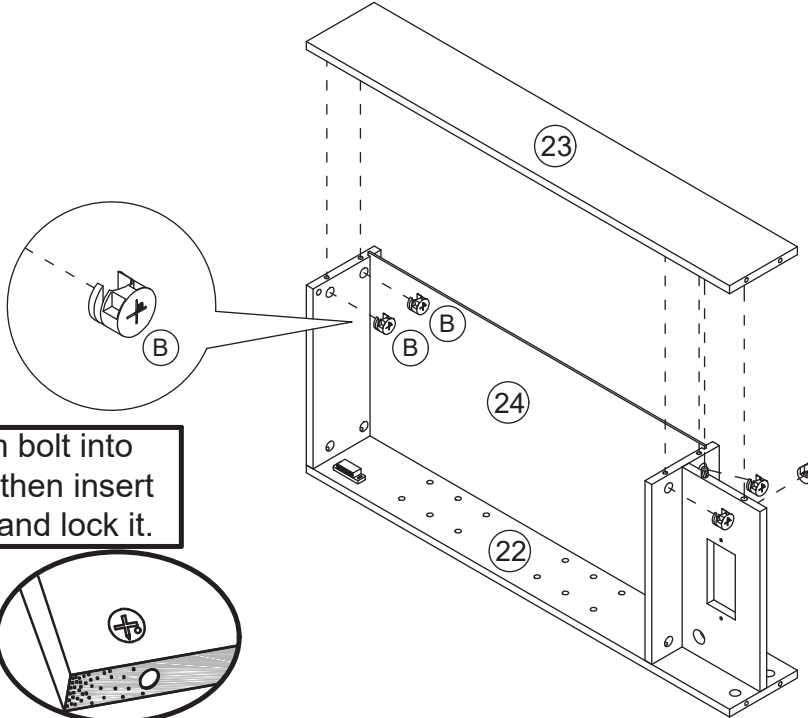
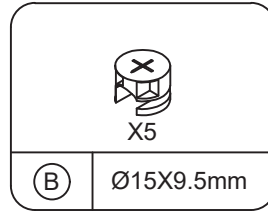


Proper orientation of CAM LOCK

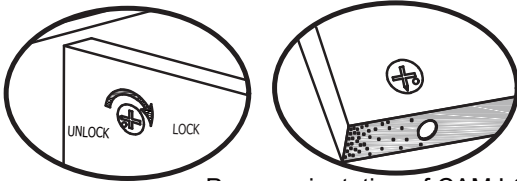
step 24



step 25

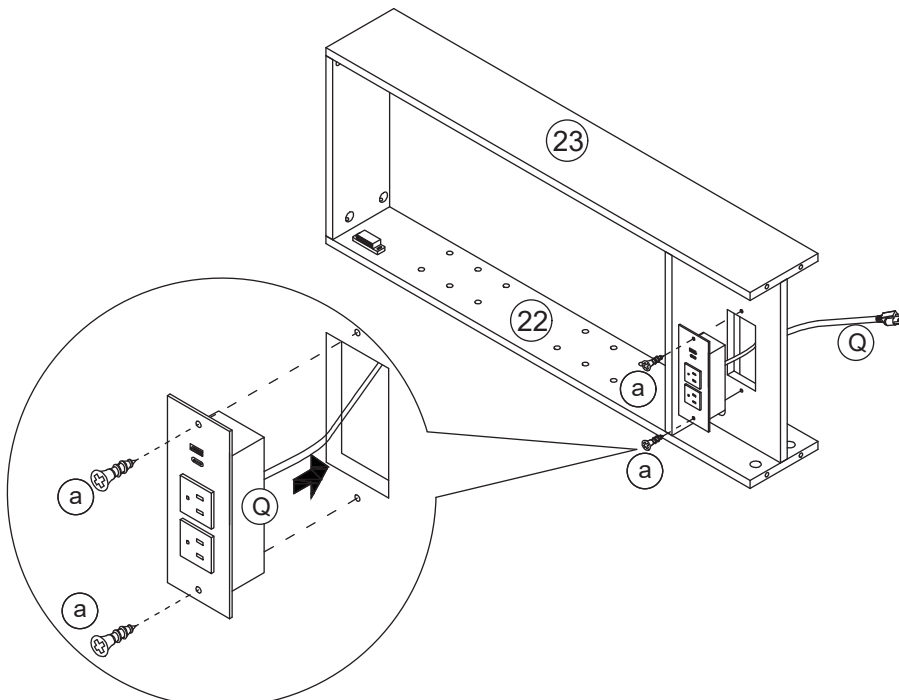
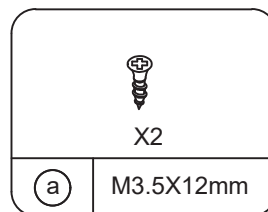
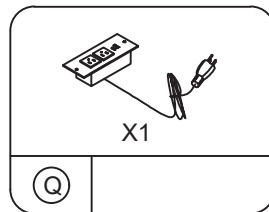


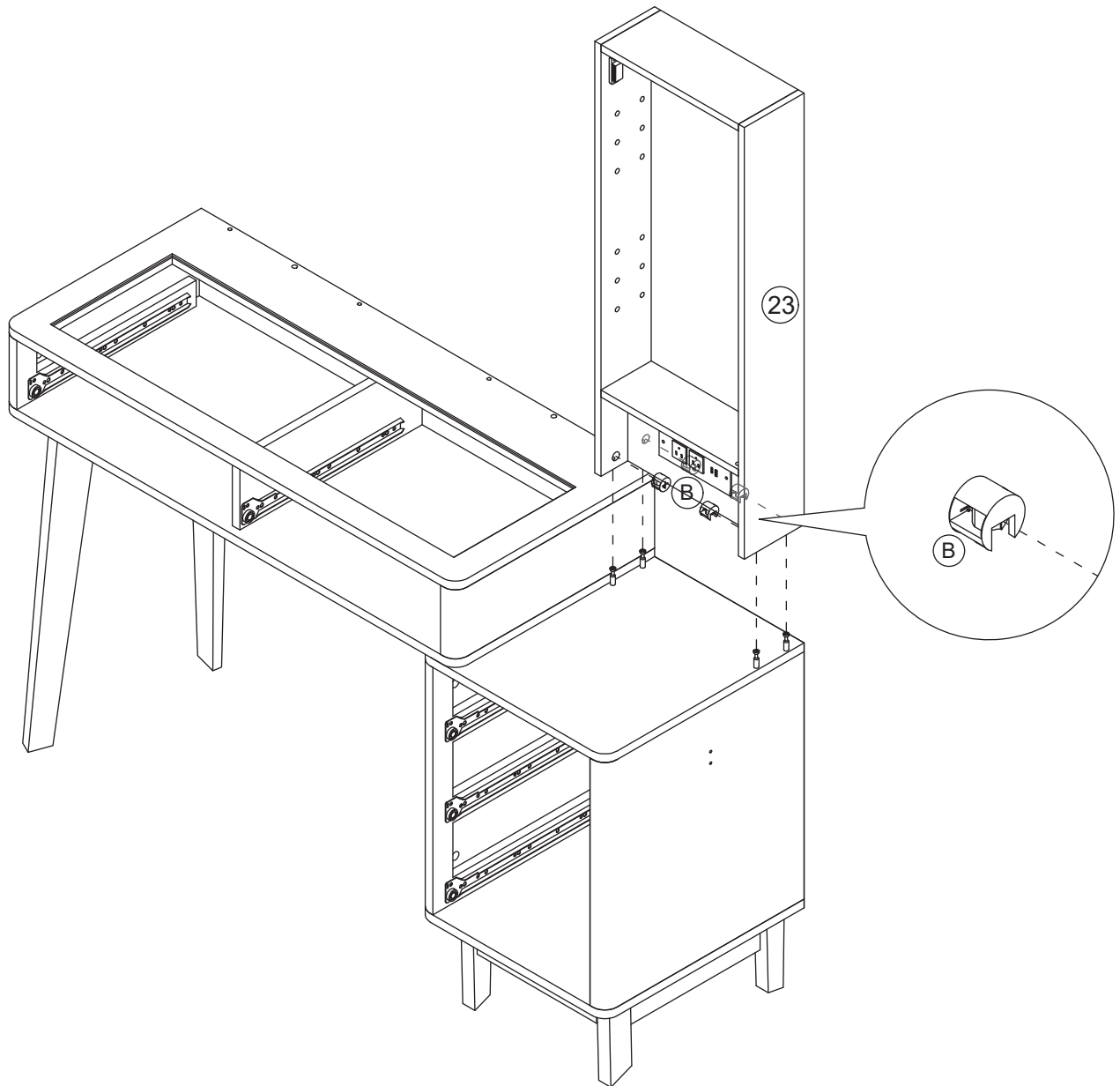
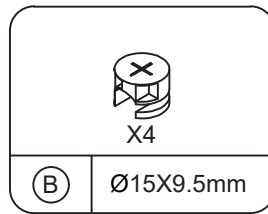
Insert the cam bolt into the hole first, then insert the cam lock and lock it.



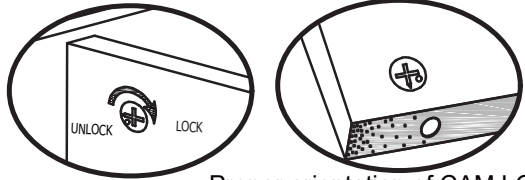
Proper orientation of CAM LOCK

step 26



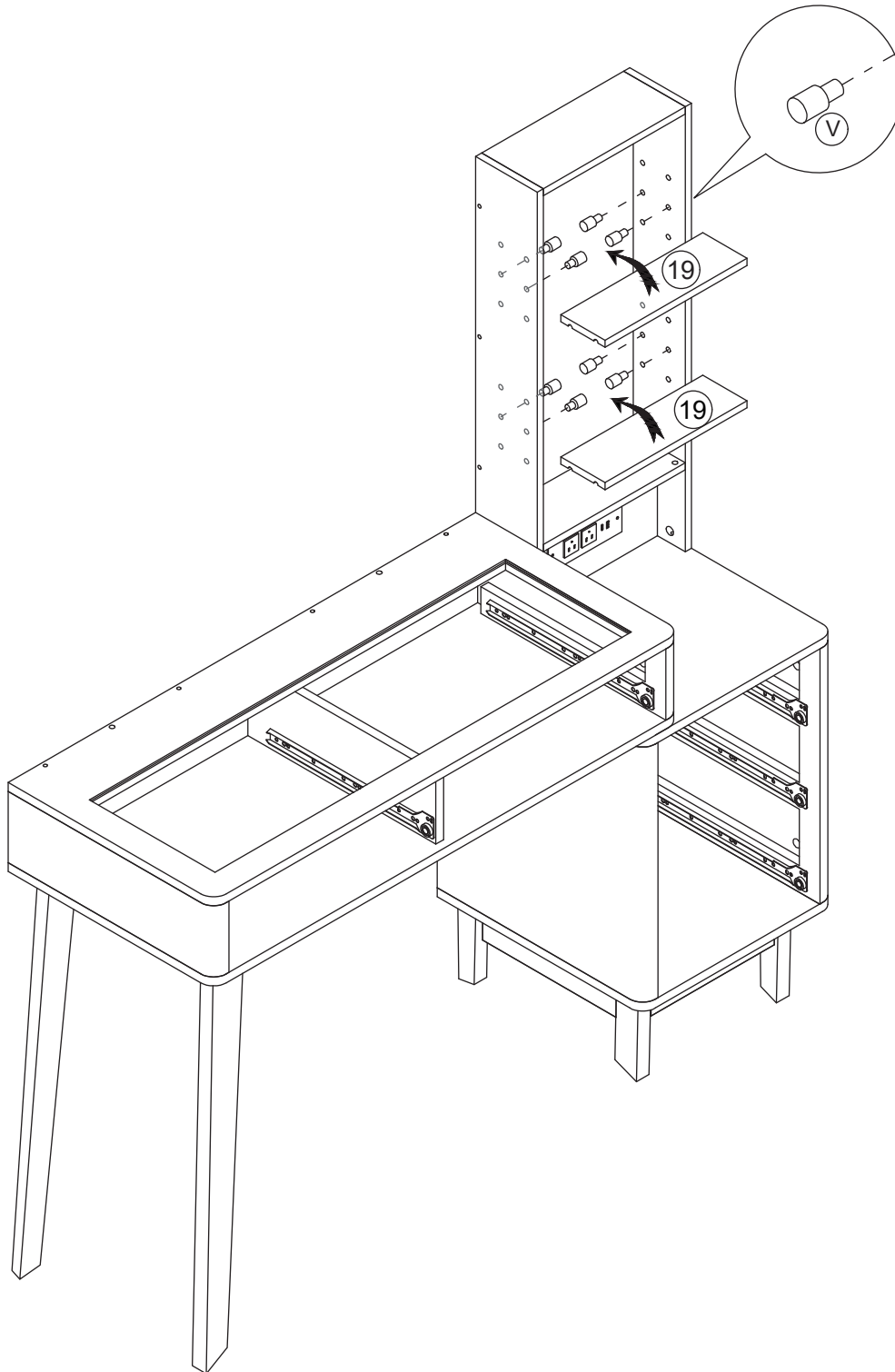
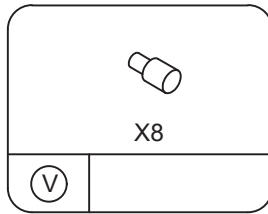


Insert the cam bolt into the hole first, then insert the cam lock and lock it.




Proper orientation of CAM LOCK


step 28





step 29




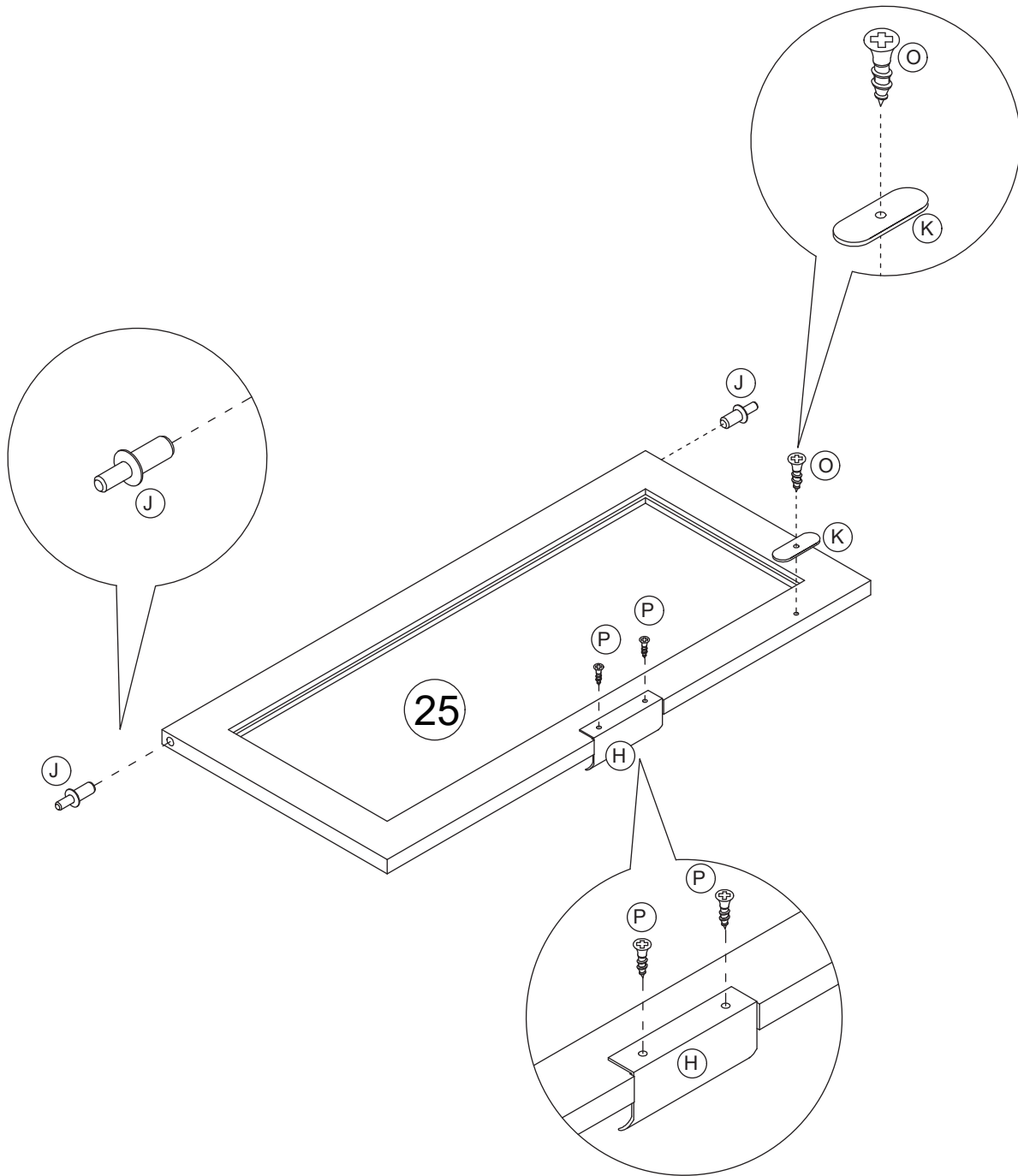
	X1
(H)	

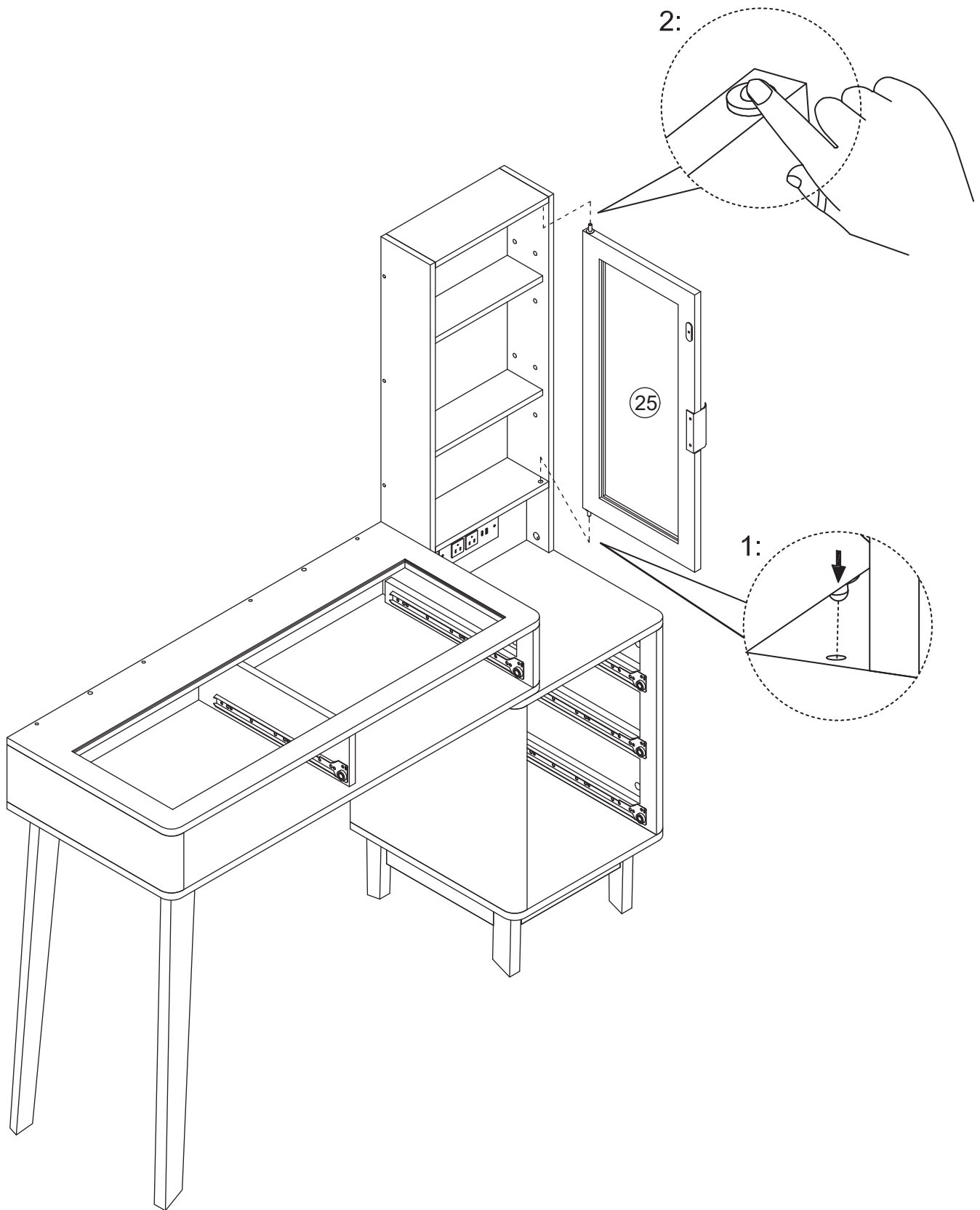
	X2
(J)	

	X1
(K)	M35X12mm

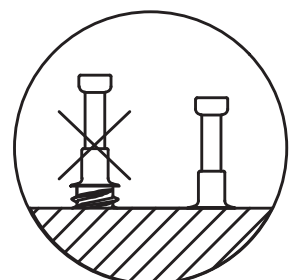
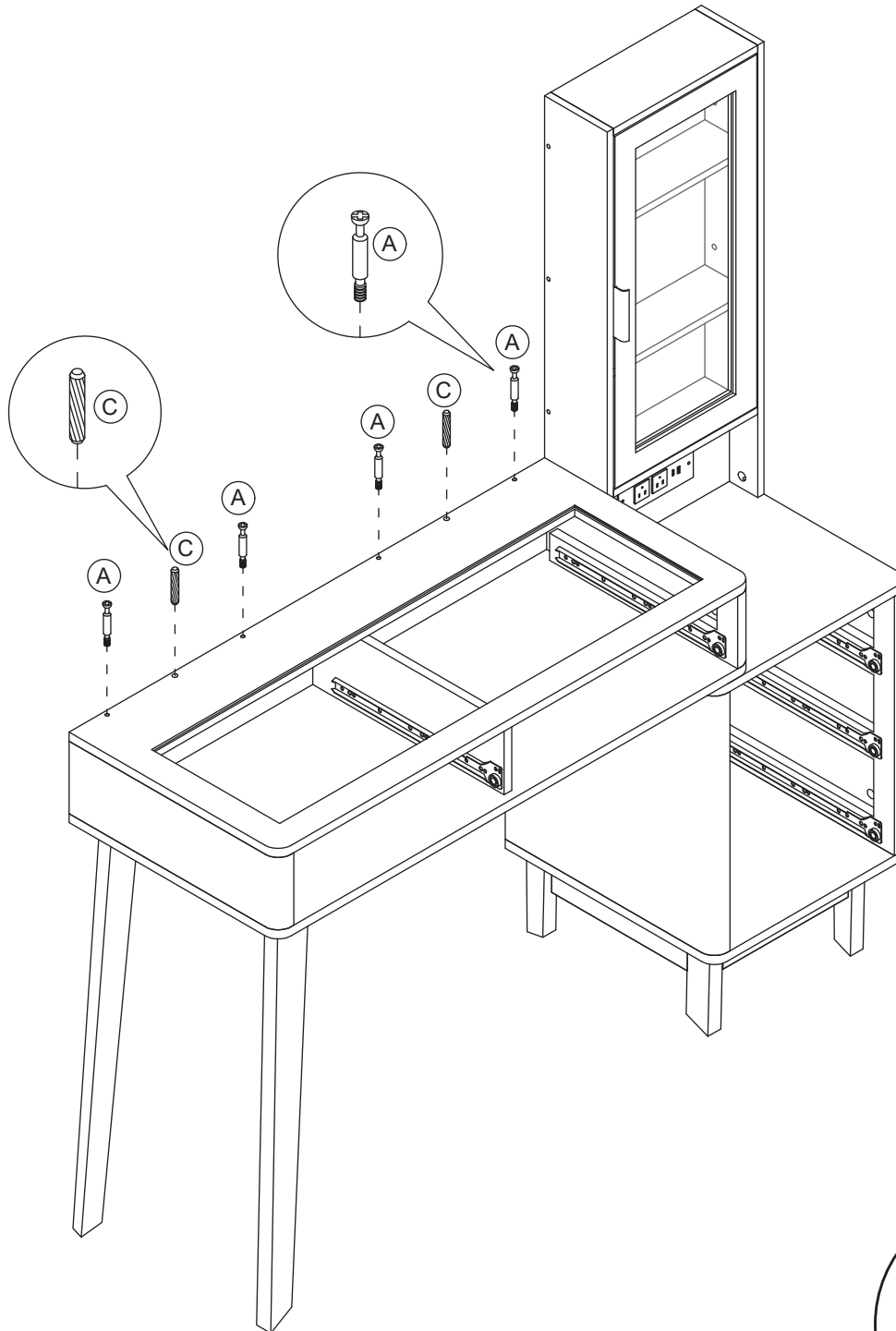
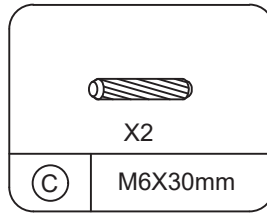
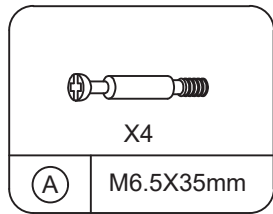
	X1
(O)	M3X12mm

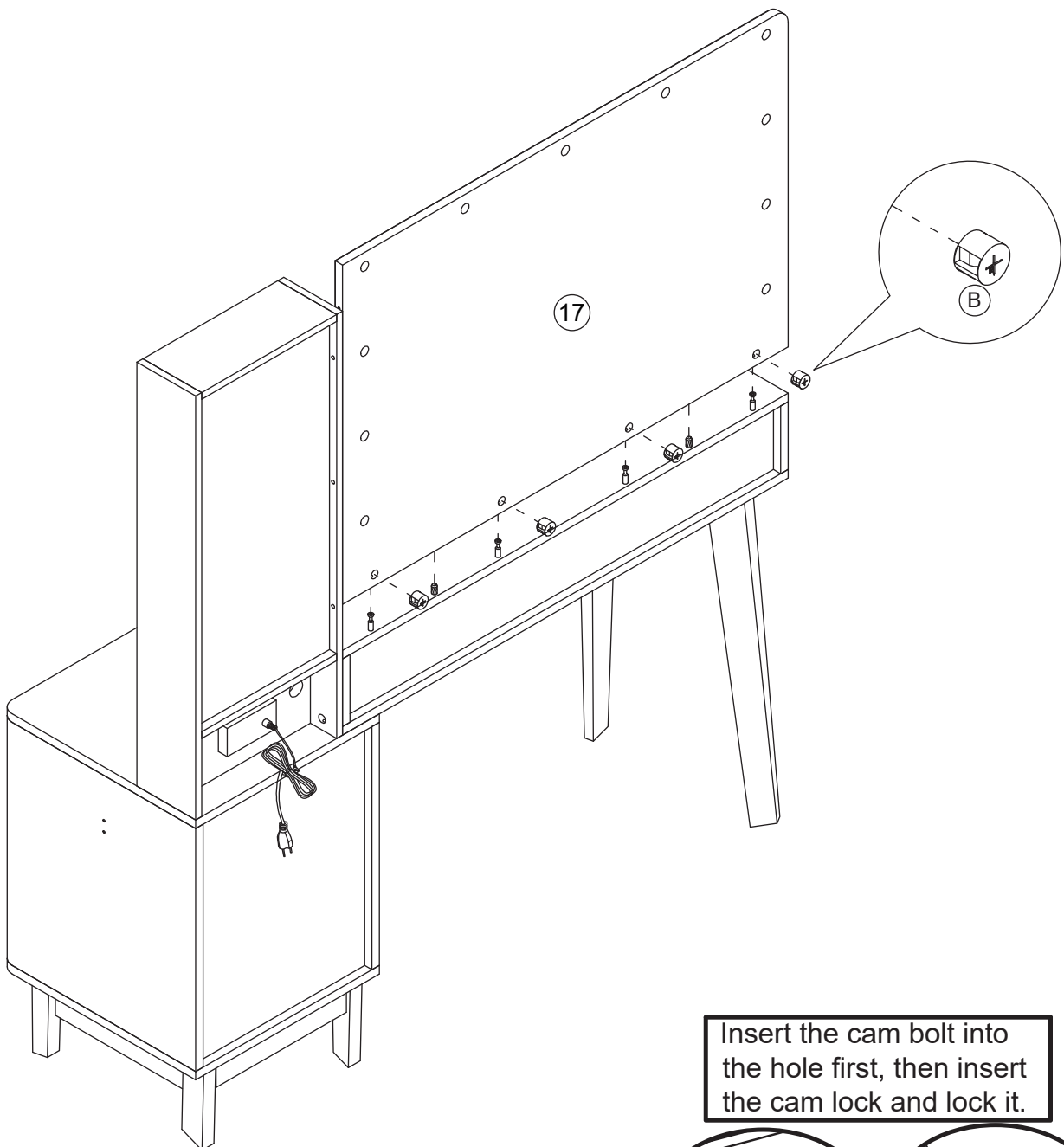
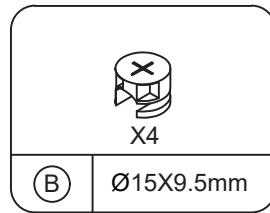
	X2
(P)	M3.5X12mm



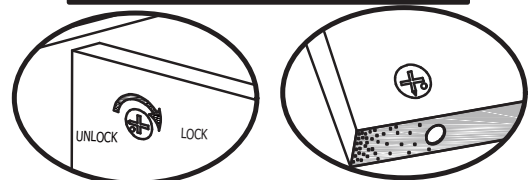


step 31





Insert the cam bolt into the hole first, then insert the cam lock and lock it.





Proper orientation of CAM LOCK


step 33

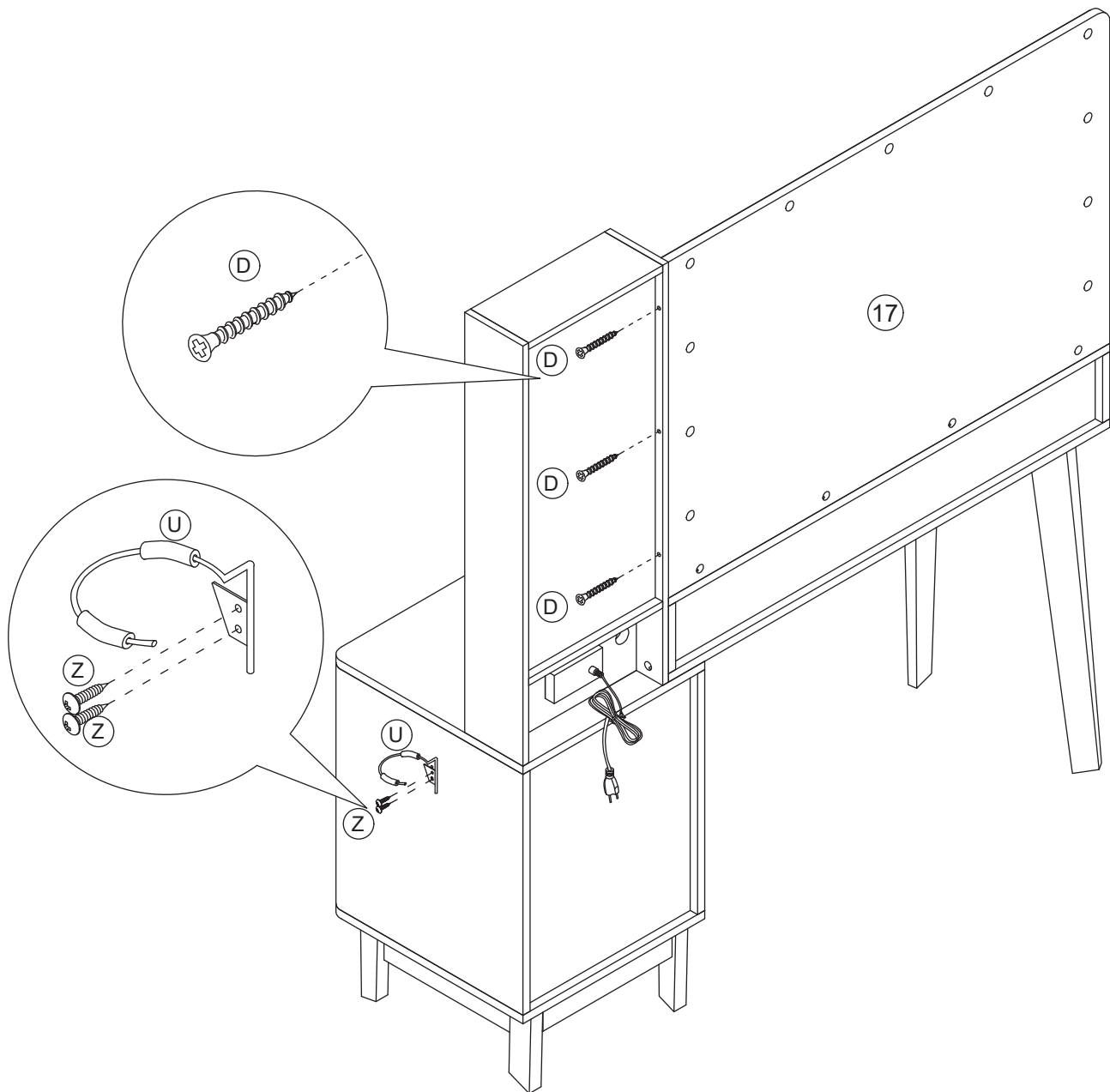
**INSTALLATION
INSTRUCTIONS**



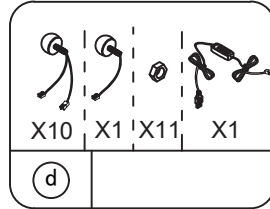
	
X3	
(D)	M4X40mm

	
X1	
(U)	

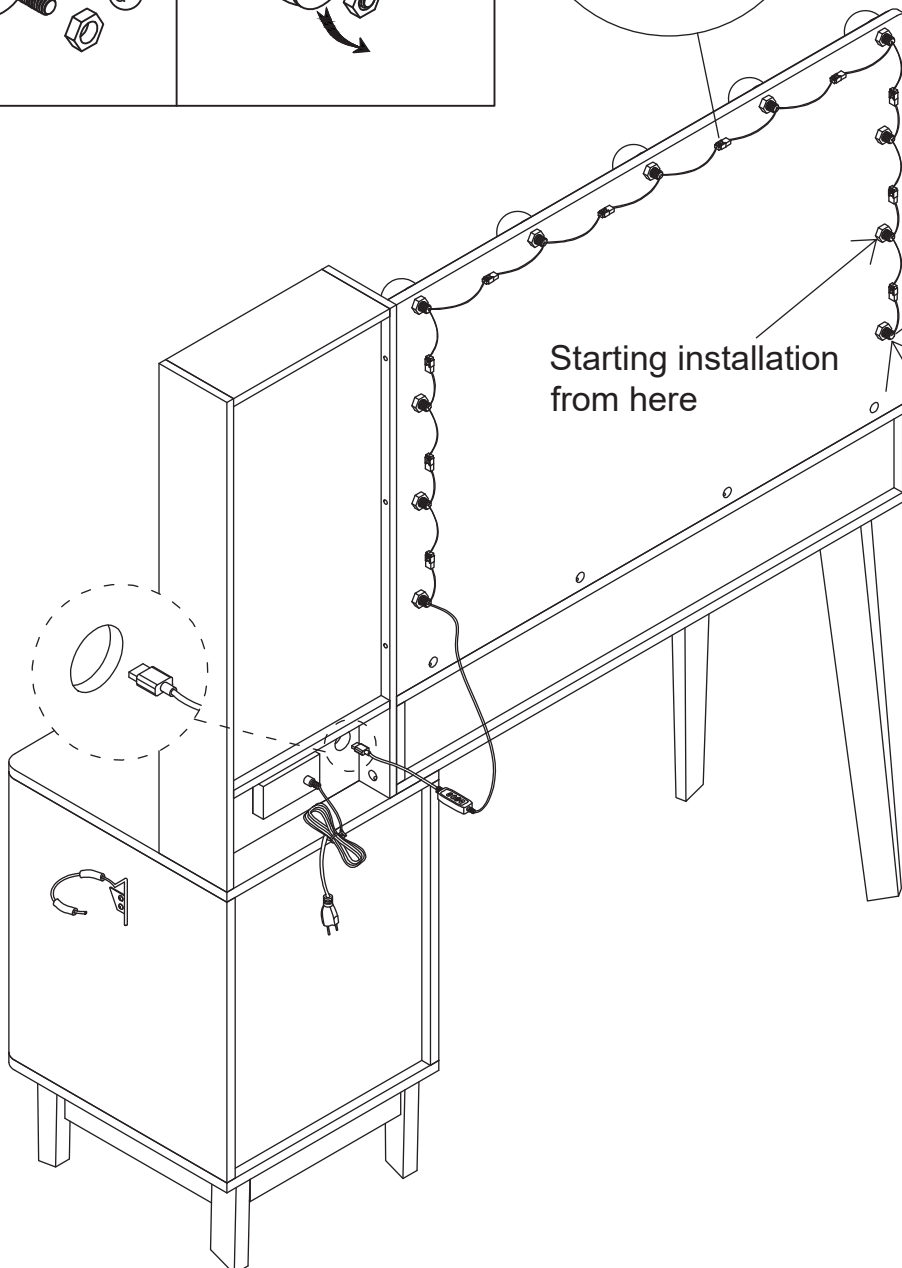
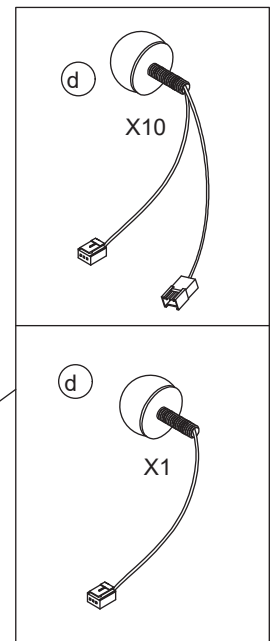
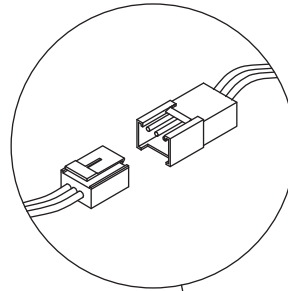
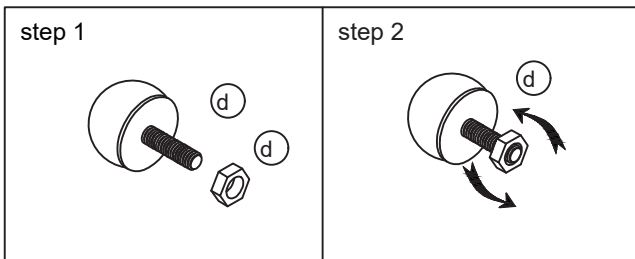
	
X2	
(Z)	M4X12mm



step 34

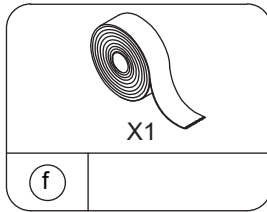


Connection method of light wires

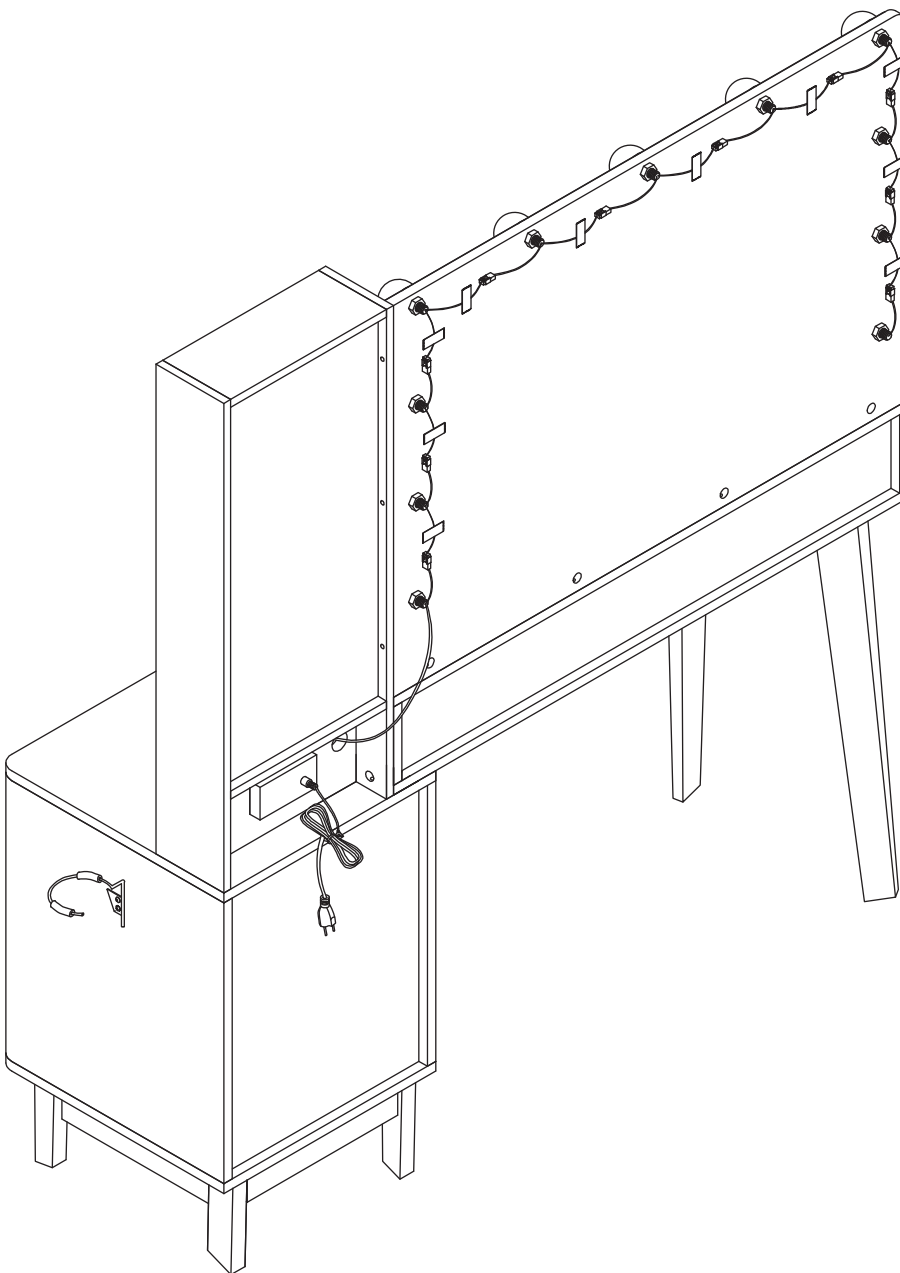
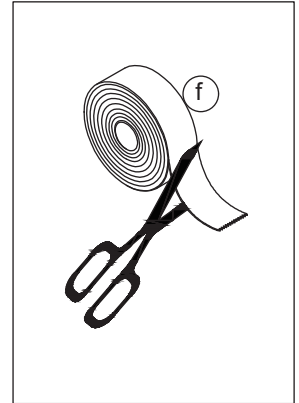


This is a single line light

step 35

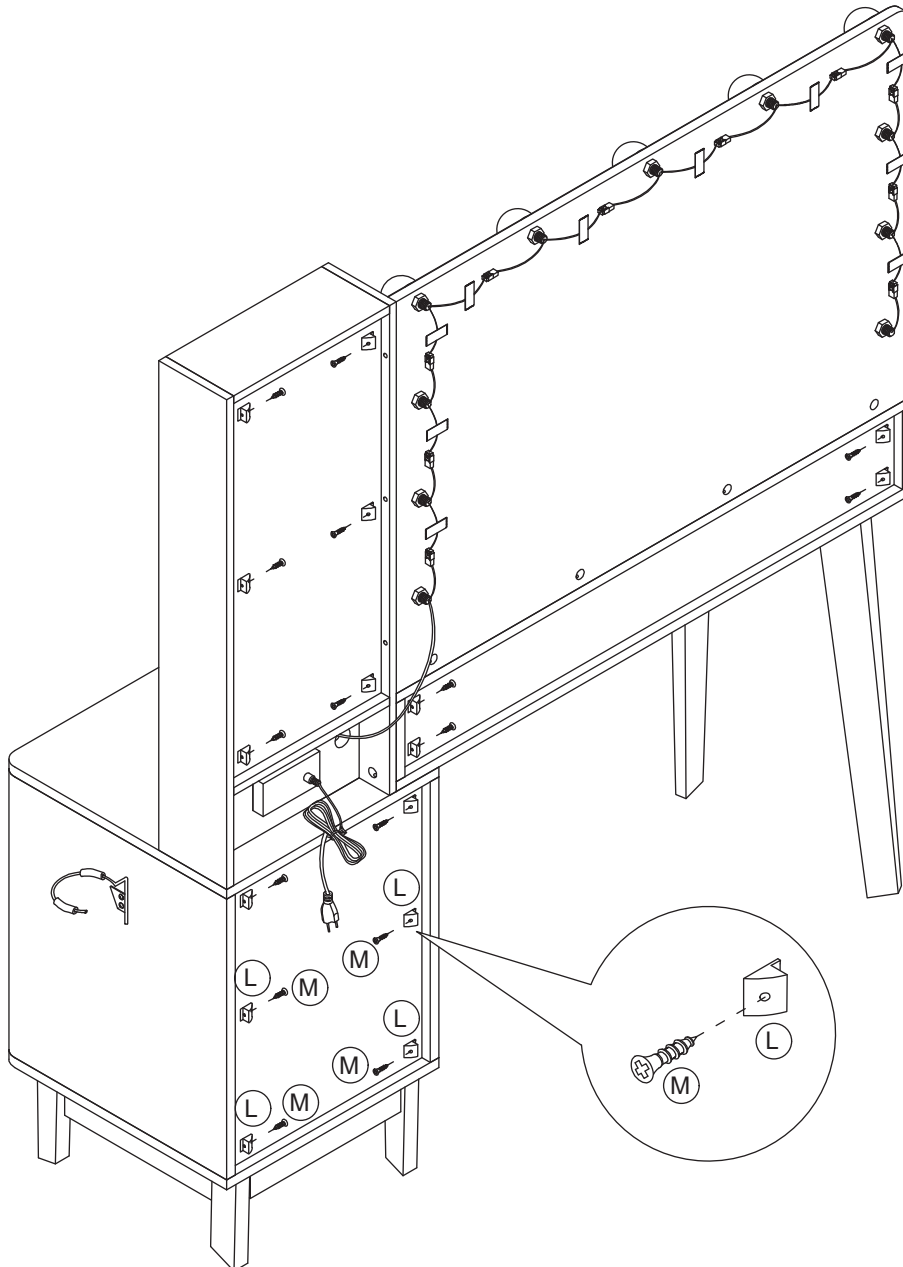
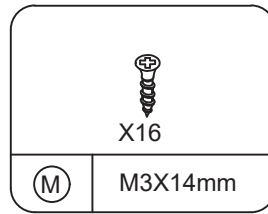
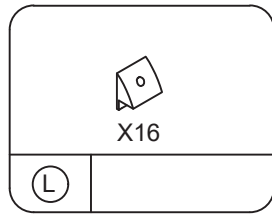


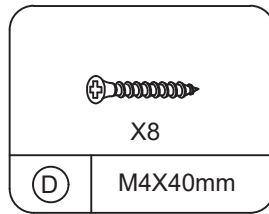
The loose lamp bulb connection wires are secured with self-adhesive tape to prevent the wires from extending beyond the product edges and affecting its appearance.



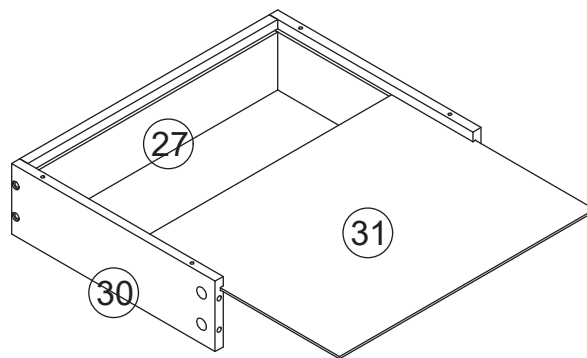
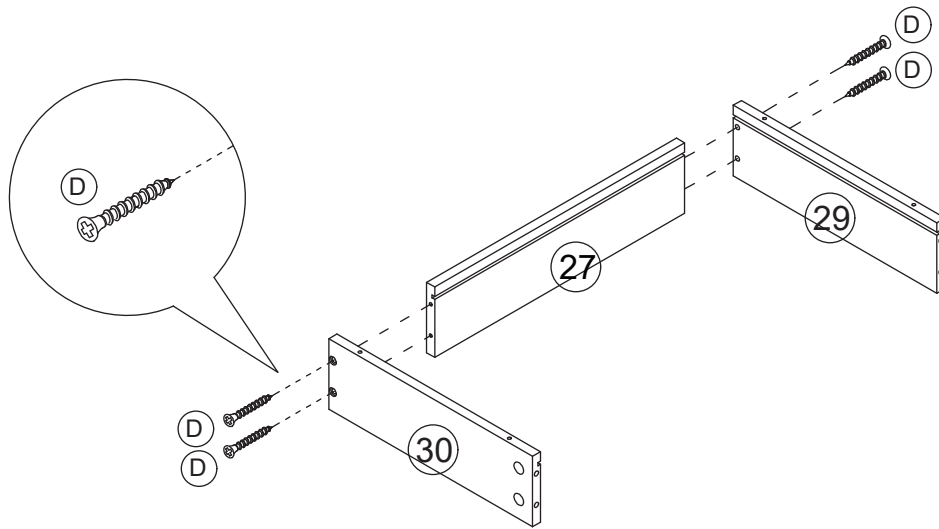
step 36

**INSTALLATION
INSTRUCTIONS**



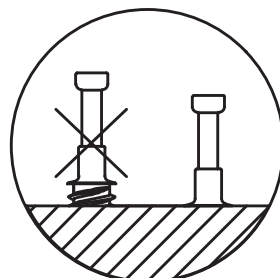
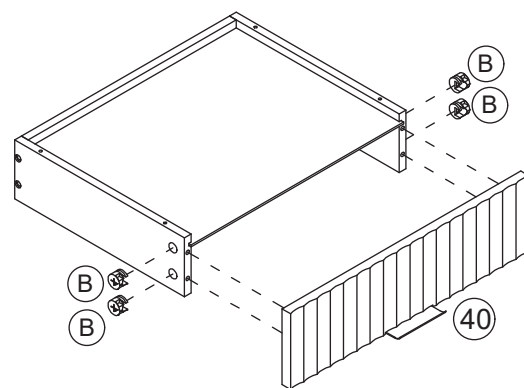
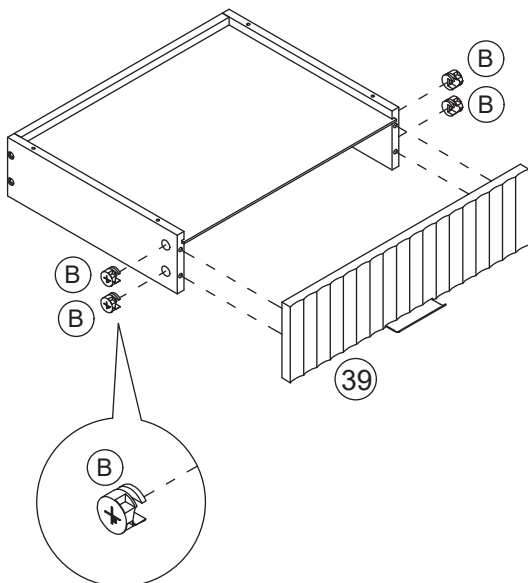
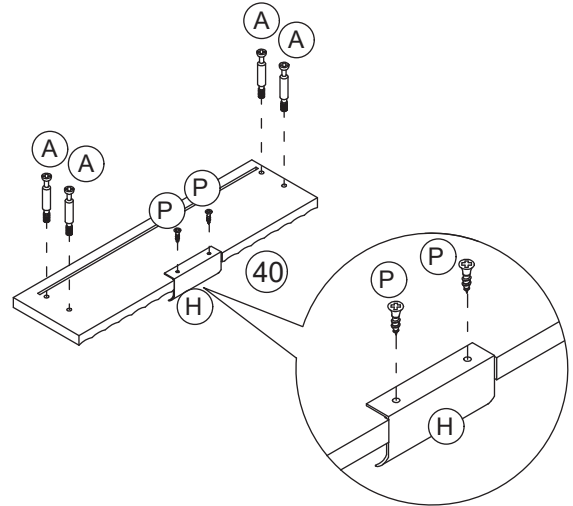
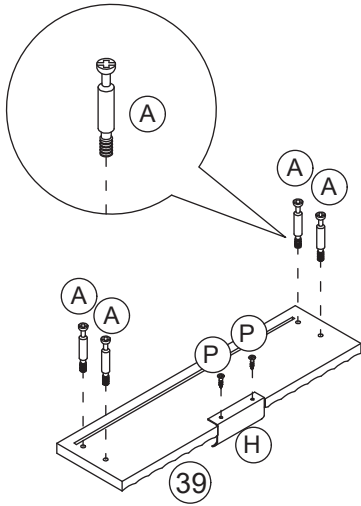
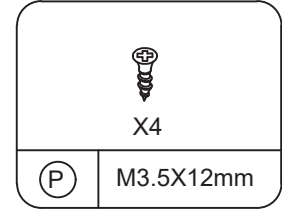
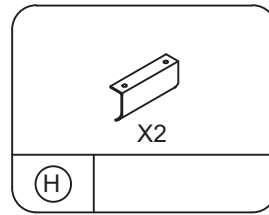
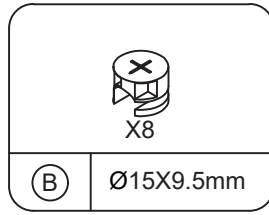
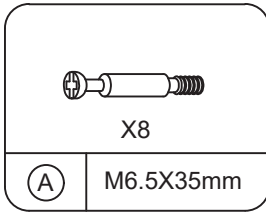


X2

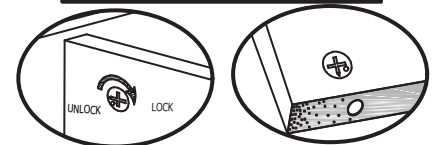


step 38

INSTALLATION INSTRUCTIONS

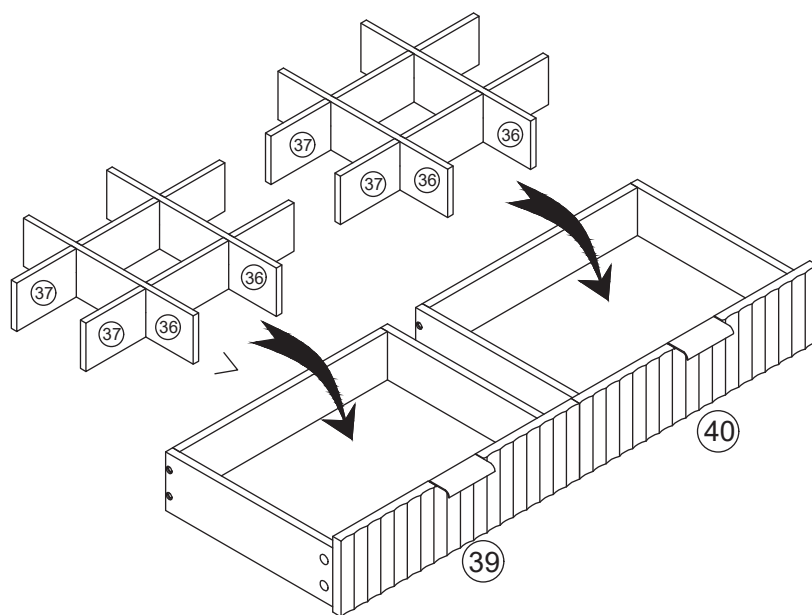
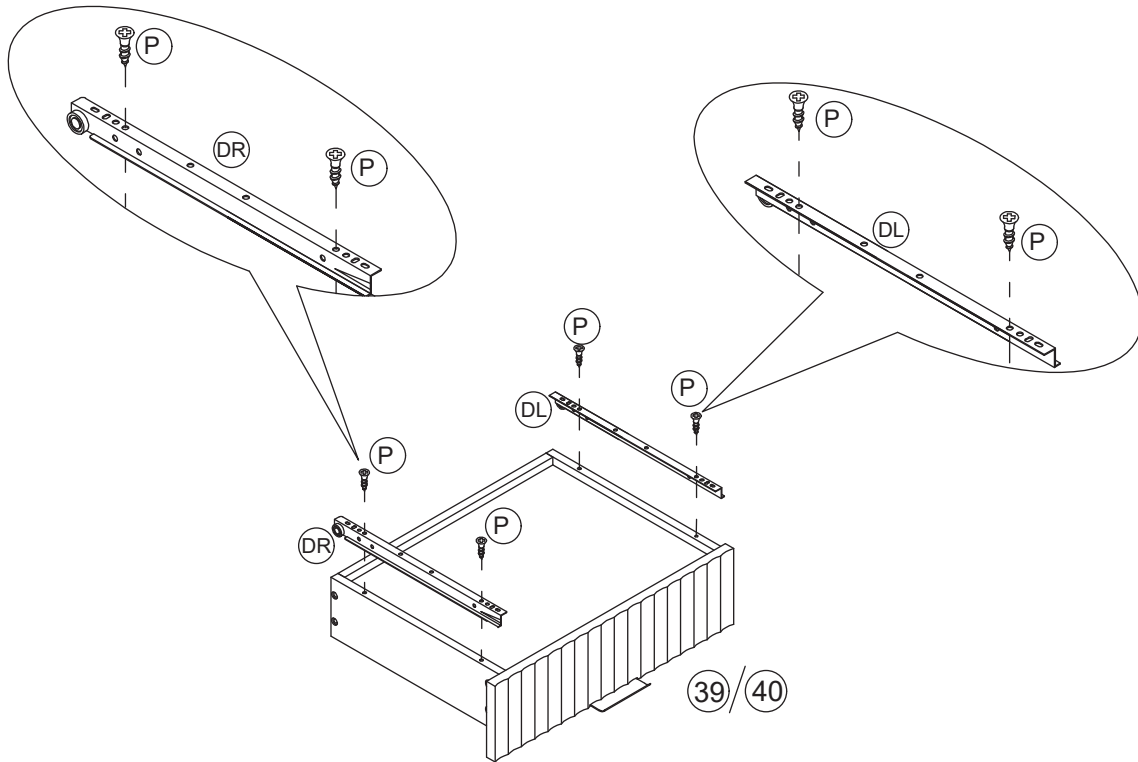
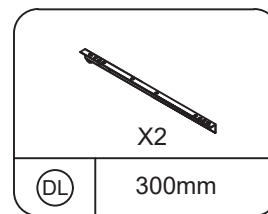
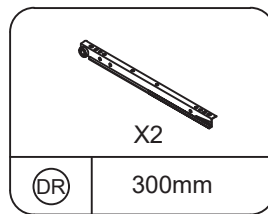
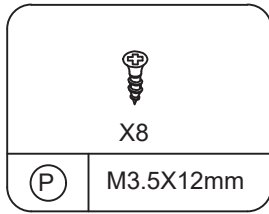


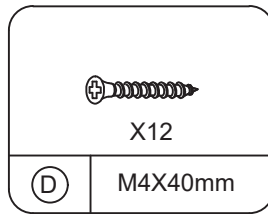
Insert the cam bolt into the hole first, then insert the cam lock and lock it.



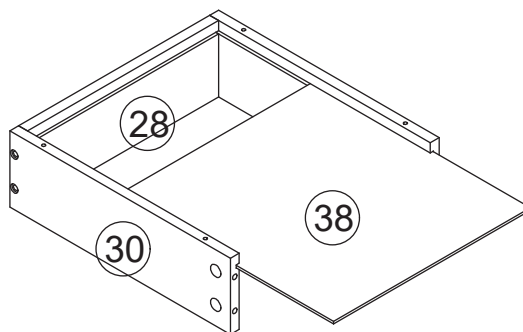
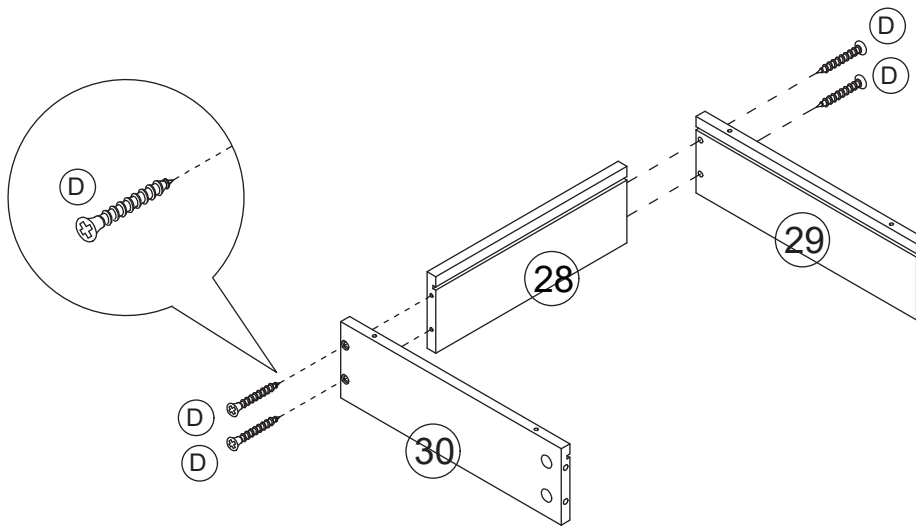
Proper orientation of CAM LOCK

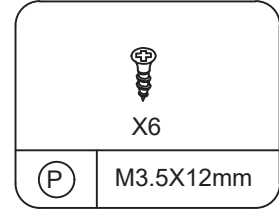
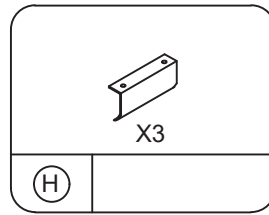
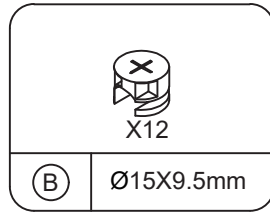
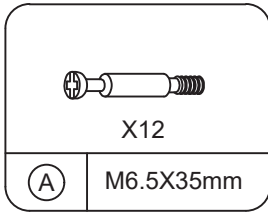
step 39



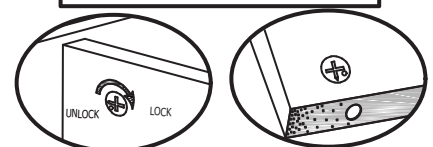
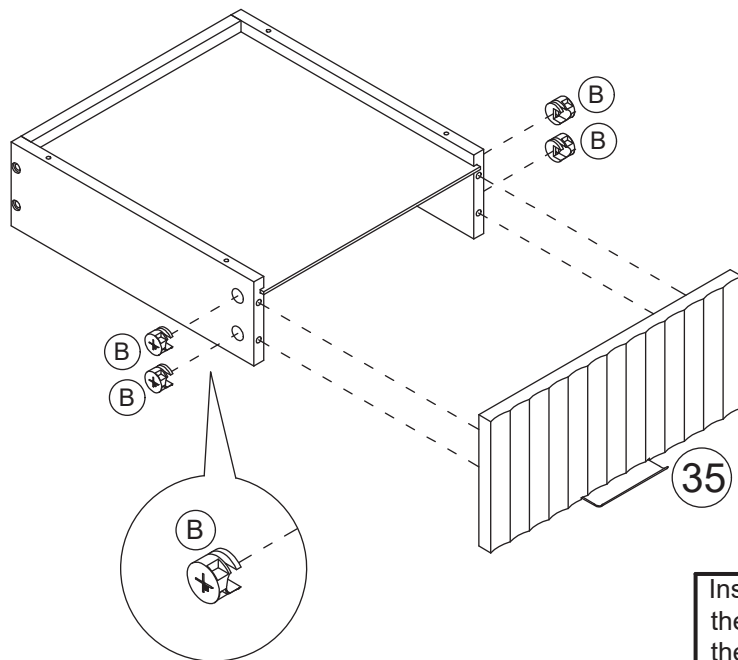
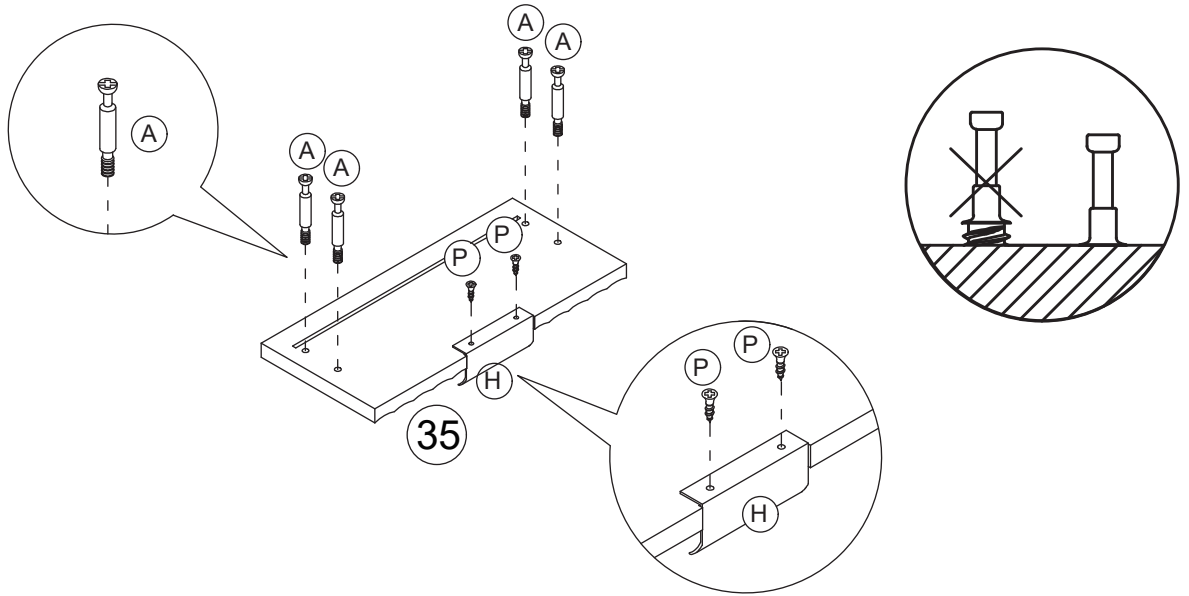


X3





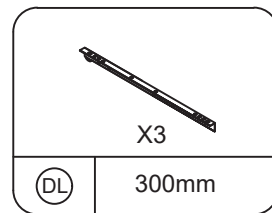
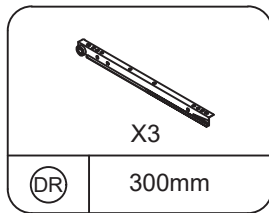
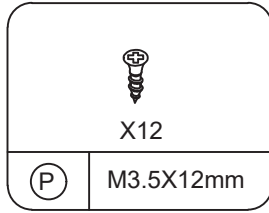
X3



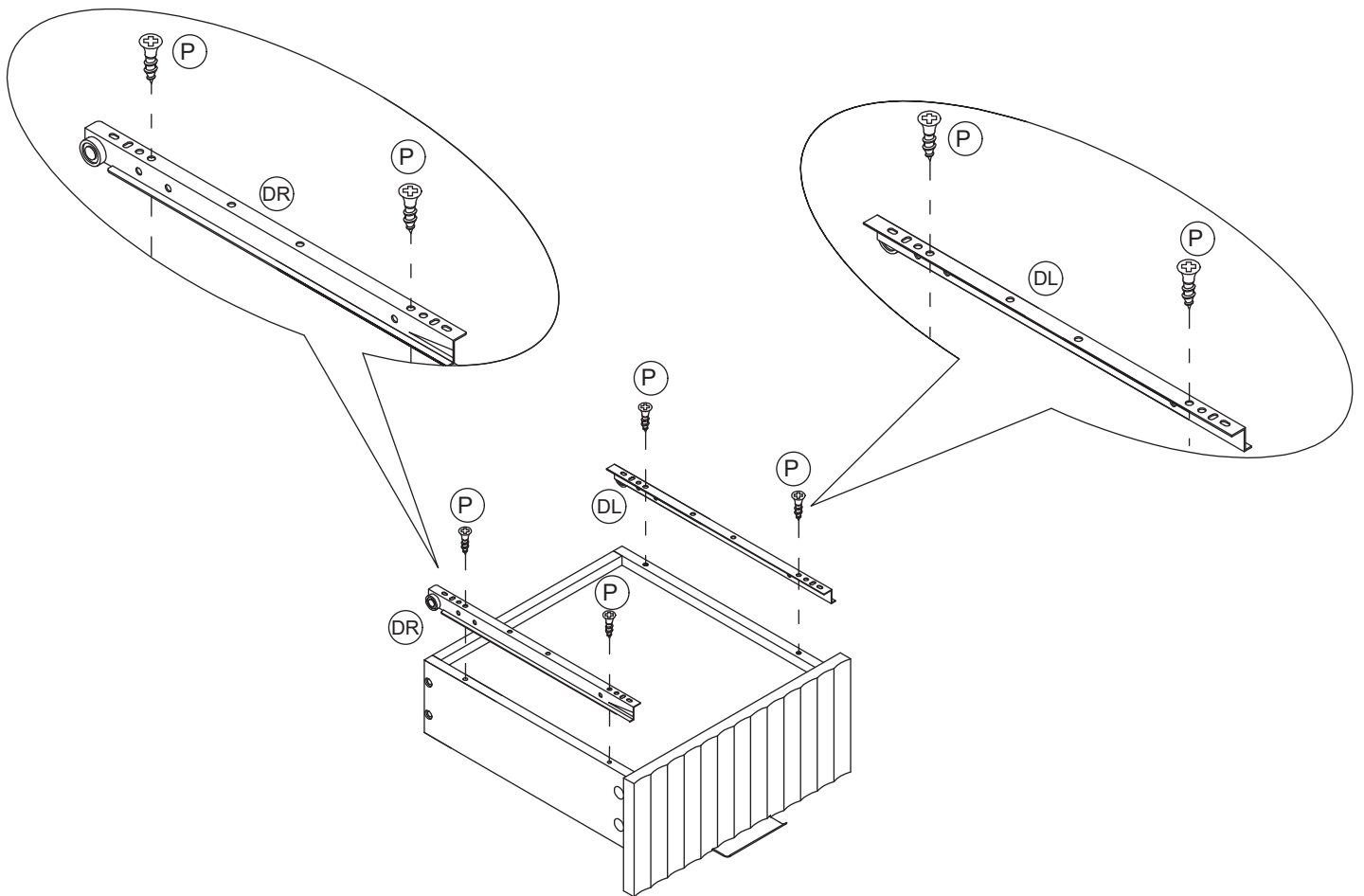
Proper orientation of CAM LOCK

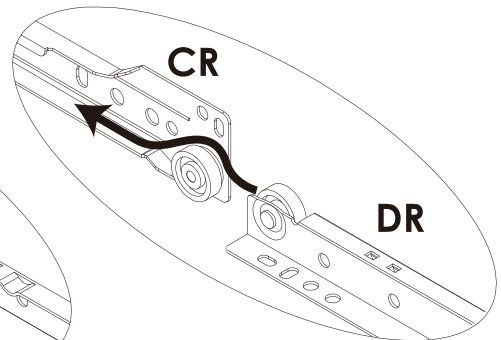
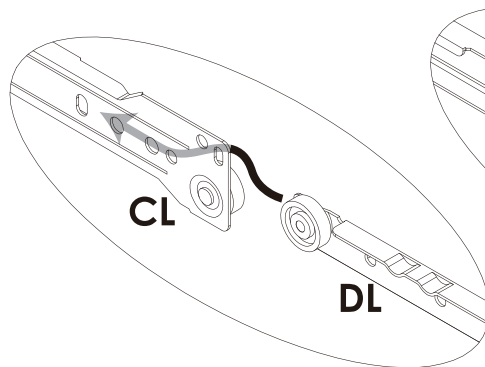
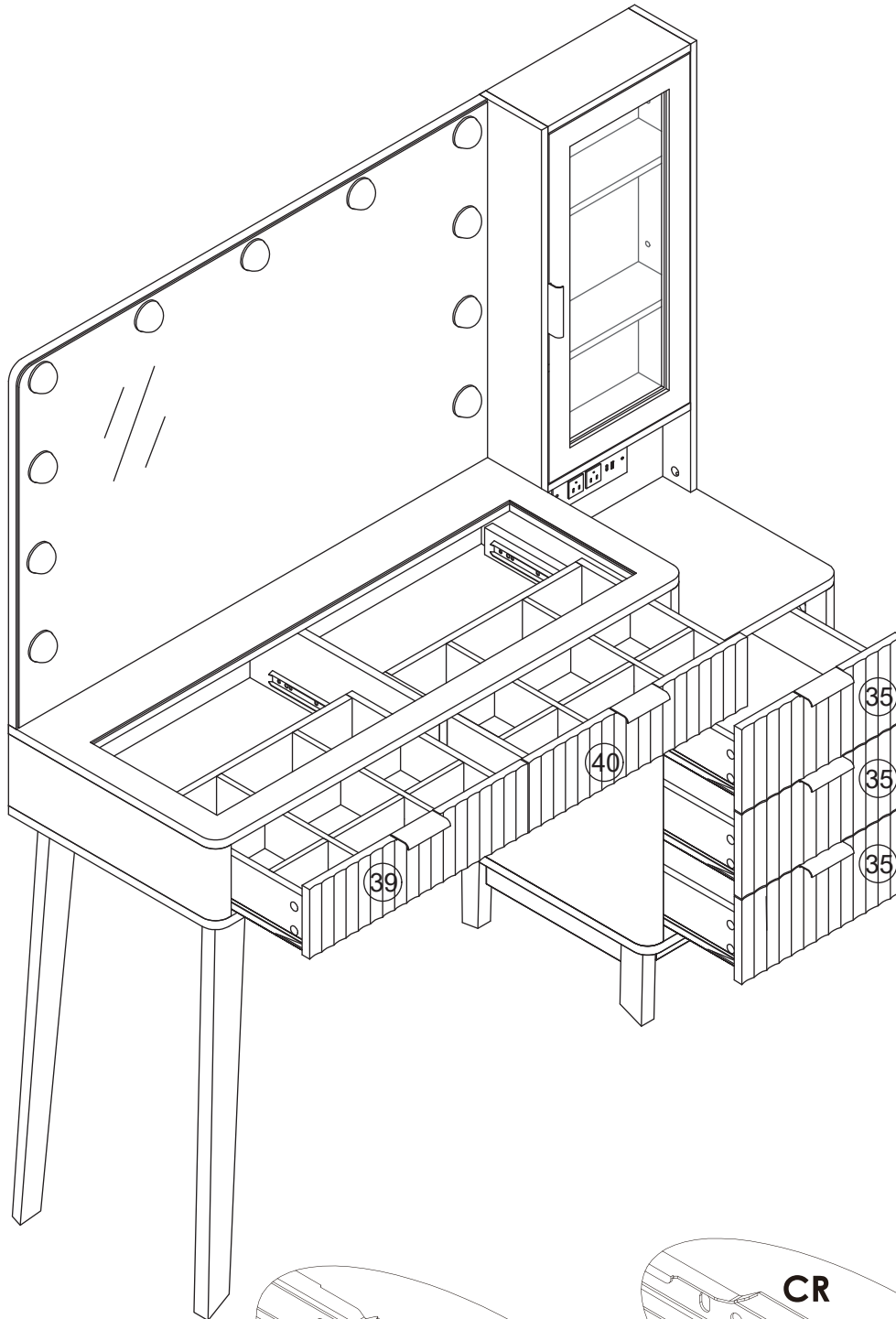
step 42

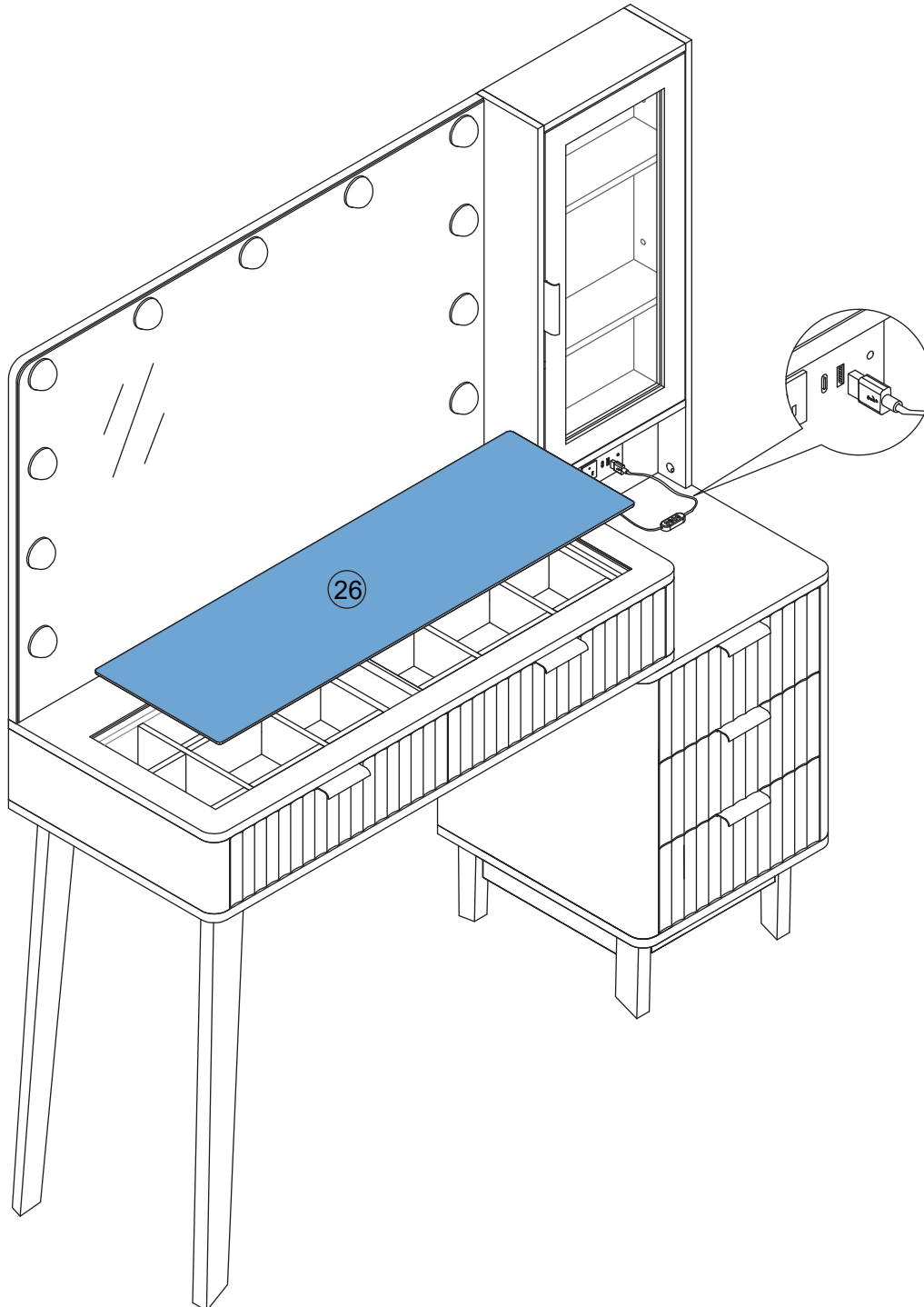
INSTALLATION
INSTRUCTIONS



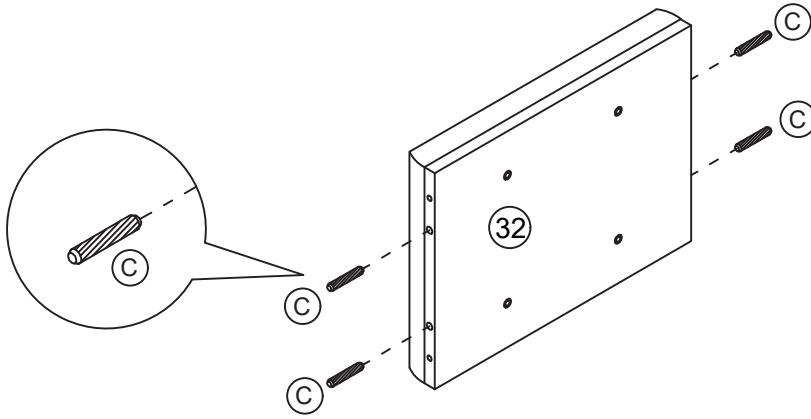
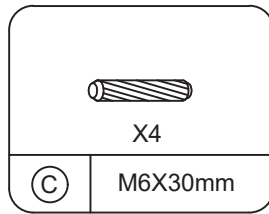
X3



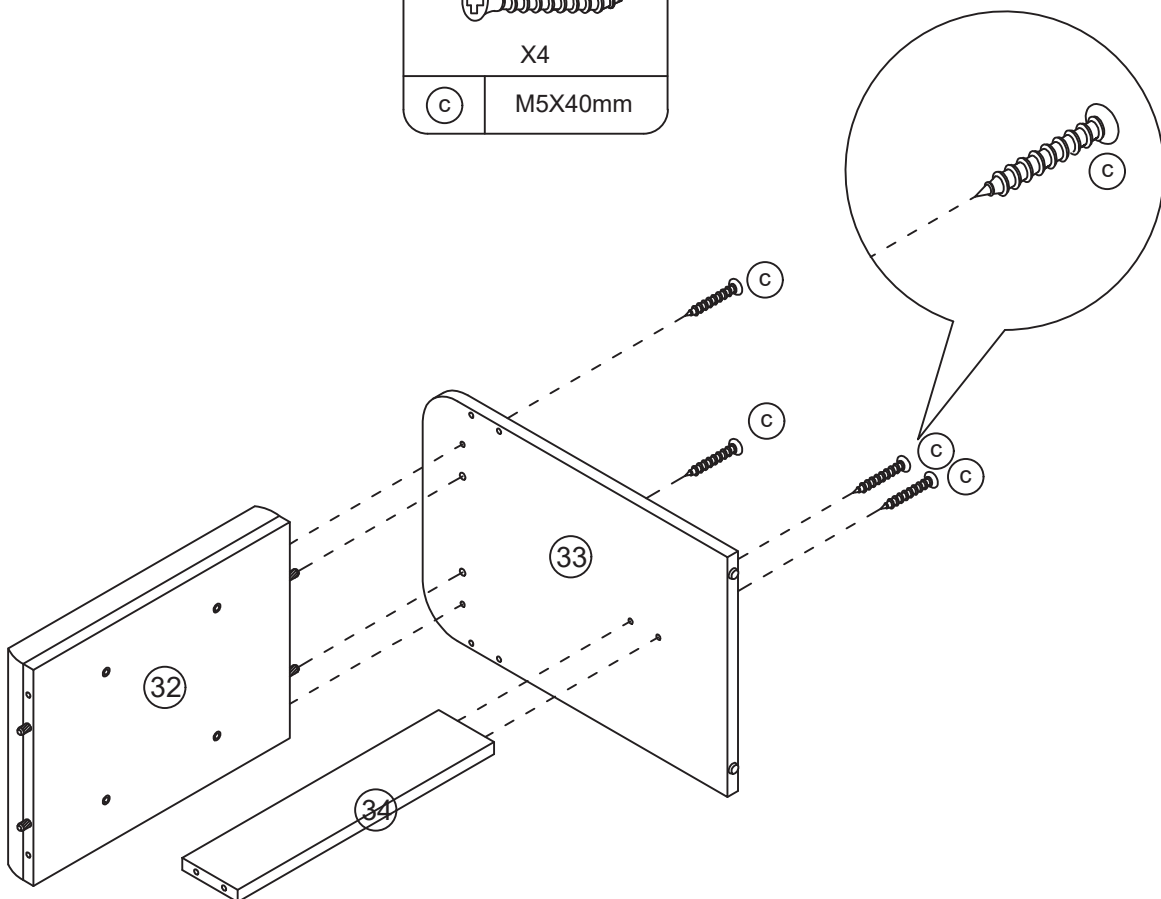
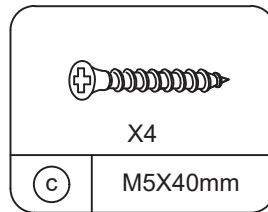




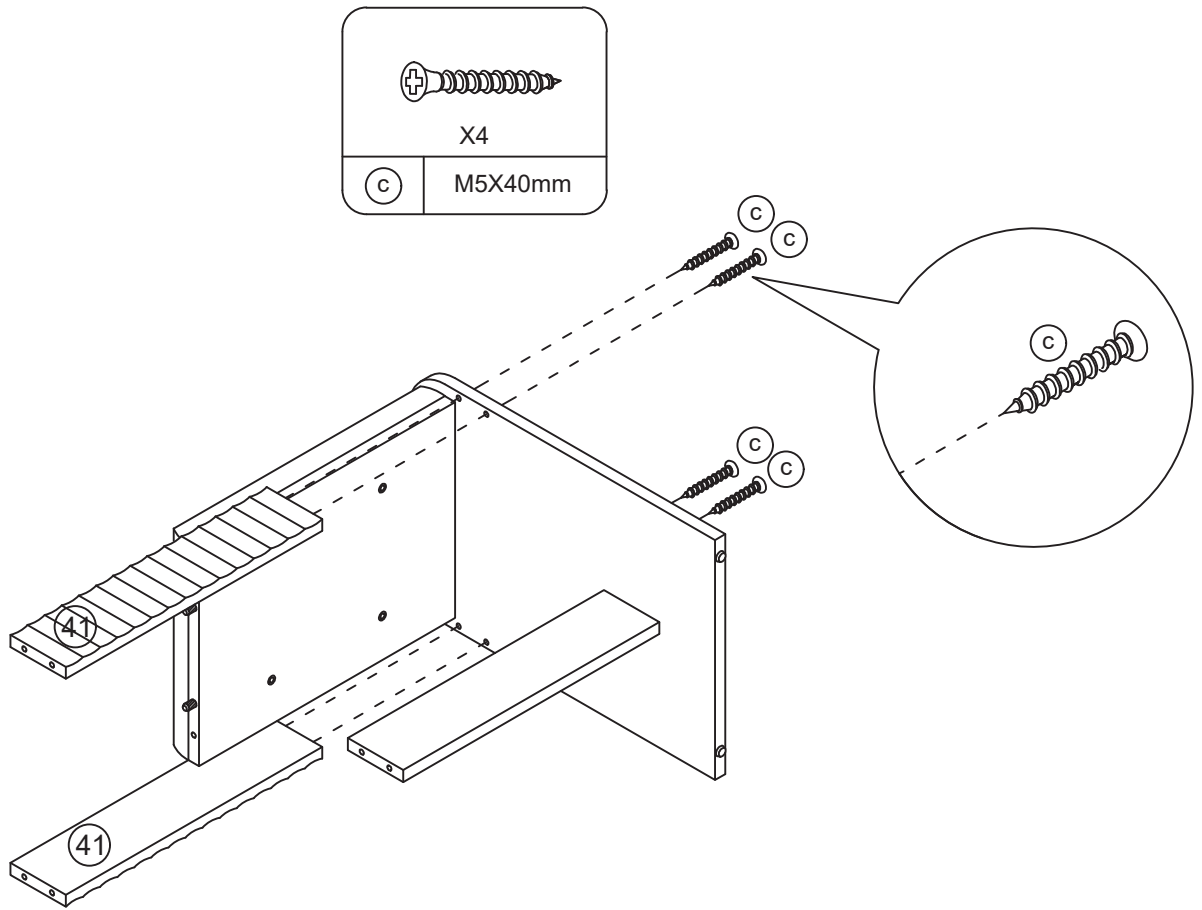
step 45



step 46



step 47



step 48

