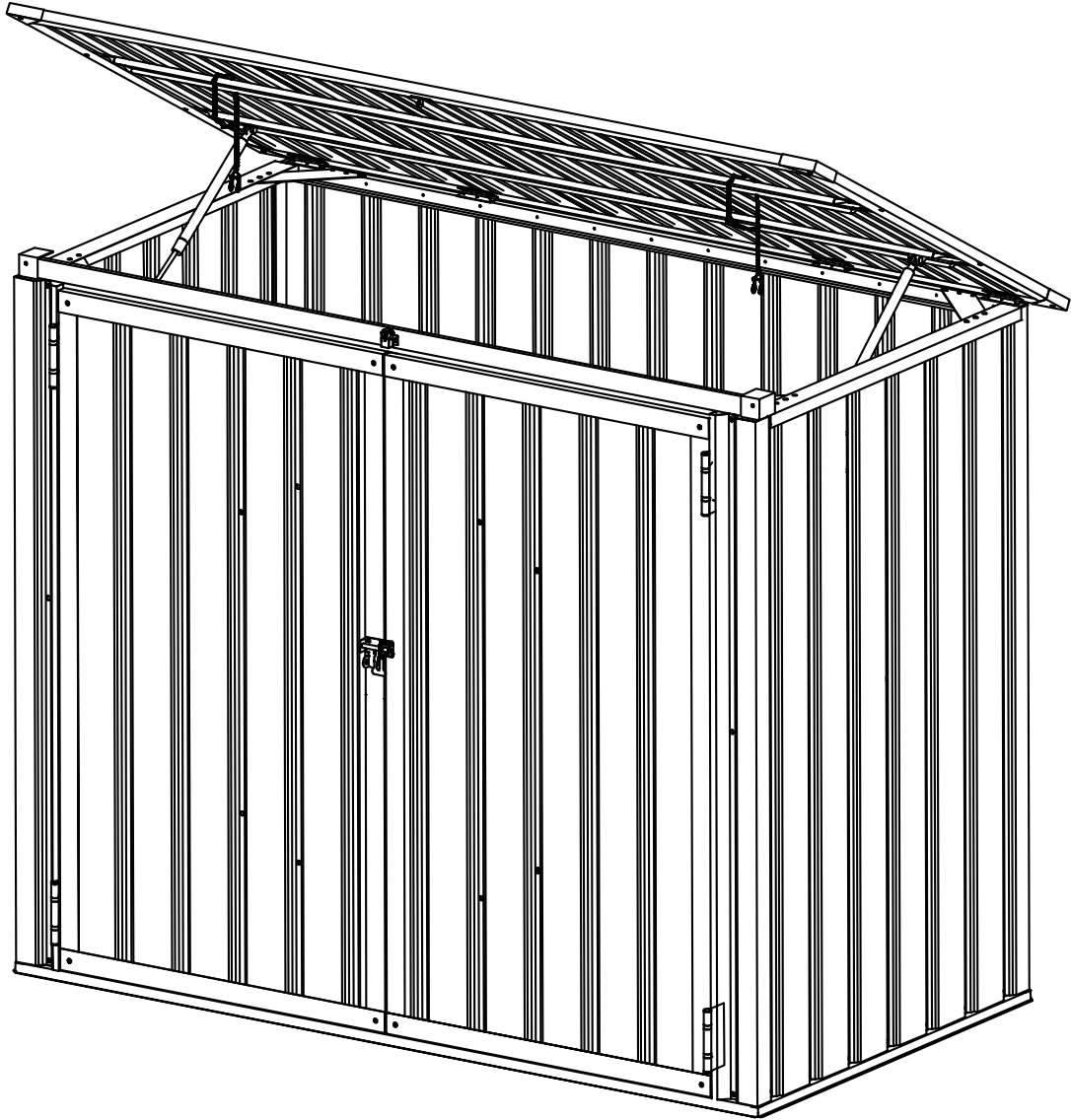


Metal Storage Shed

Owner Manual & Assemble Guide



Customer Service:

If you have any problem, please contact us through the online platform.

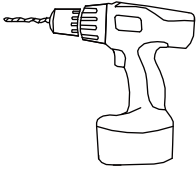
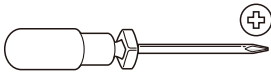


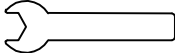
Base size

Shed Overall Base Size:54.2"(L) x 31.1"(W)

Shed Inside Base Size:47.8"(L) x 30.8"(W)

All parts are packed in a box, please note that refer to the parts list to check if all parts are received.

Please prepare below tools before installation. (Not Included)

 Electric Screwdriver	 + Manual Screwdriver	 Ladder
Package included Tools	 Gloves x 1Pair	 Spanner x 1

ATTENTION

Care **MUST** be taken when handling various pieces of your building since many contain sharp edges.

Do NOT attempt to assemble your building before double checking that you have all parts indicated in the parts lists. Any building left partially assembled may be seriously damaged by even light winds.

Do NOT attempt to assemble your building on a windy day, the large panels can catch the wind like a “sail”, making construction difficult and unsafe. **Watch the weather closely.** Keep children and pets away from the worksite during construction and until the building is completely assembled. This will help avoid distractions and any accidents which may occur. Never concentrate your weight on the roof of the building.

Before assembling any parts, your base should be constructed and an anchoring system should be ready to use. Your building must be anchored to prevent wind damage.

ASSEMBLY

The best location is a level area with good drainage.

Allow enough space outside the building to be able to access the roof with a ladder.

USE TEAMWORK: Two or more people are required to assemble your building.

CARE & MAINTENANCE

Do NOT use power washing to clean your shed.

Combustibles and corrosives must be stored in air tight containers designed for chemical and/or combustible storage.

Rust Protection Precautions

Avoid nicking or scraping the coating surface, inside and out.

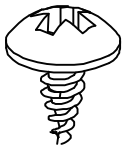
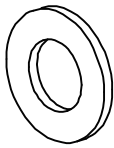
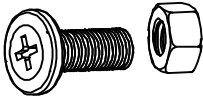
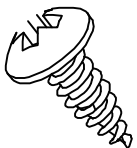
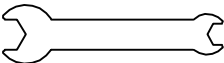
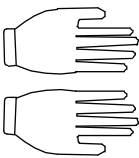
PLEASE KEEP THIS INSTRUCTION FOR FUTURE REFERENCE.

HARDWARE LIST



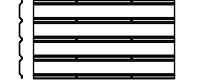


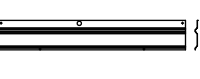







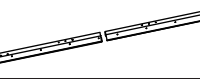



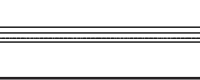

For missing or damaged part contact customer service. **Do NOT** return to store.


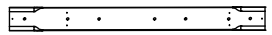




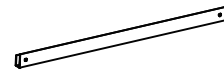

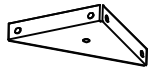

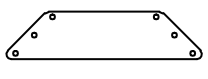
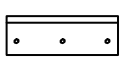
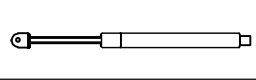


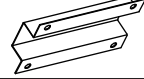



Key No.	Part No.	Qty.	List ✓
1	F1	190	
2	V2	30	
3	F2	54	
4	F3	32	
5	M4	1	
6	ST	2	

Hardware Views by Key No.



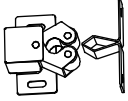

1		2		3		4	
	F1		V2		F2		F3
5		6					
	M4		ST				



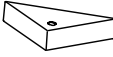

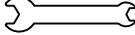
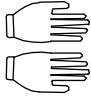
Part List

PART	NO.	QTY.
	L35-W5	3
	L35-W5K	2
	L35-12	3
	L35-13	1
	L35-W2HL	1
	L35-W2HR	1
	L35-W5CL	1
	L35-W5CR	1
	L35-W5C	2
	L35-1	2
	K34-2	2
	L35-3L	1
	L35-3R	1
	L35-4	1
	L35-5	1
	L35-6	2
	L35-7	1
	L35-8	1
	L35-9	1

PART	NO.	QTY.
	L35-10	2
	L35-11	2
	L35-UA	2
	L35-DA	2
	L35-DLA	1
	L35-DRA	1
	DDA	4
	L35-DBA	4
	T-F	4
	DH	4
	C13	4
	DH1	4
	GG1	2
	EE	2
	FF	2
	L35-14	2
	F1	190
	V2	30
	F2	54

Part List

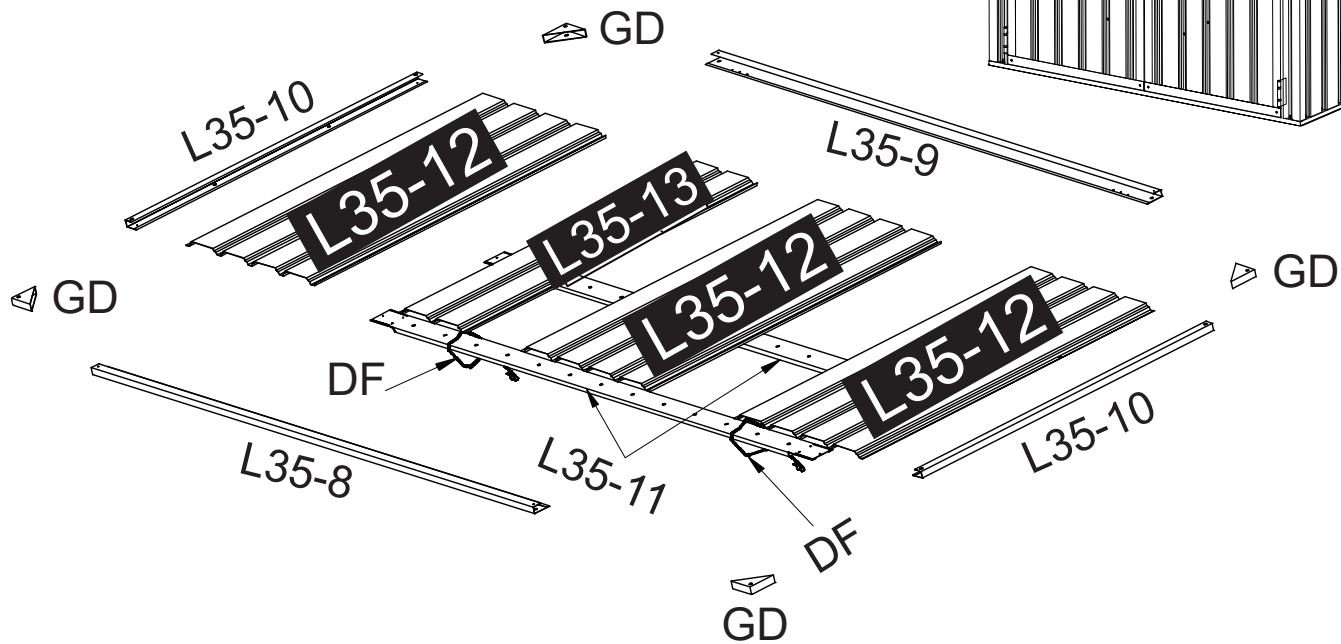
PART	NO.	QTY.
	F3	32
	DF	2
	DB	1
	DC	2

PART	NO.	QTY.
	DE	1
	SL	13
	GD	4
	GC	2
	M4	1
	ST	2

Part List

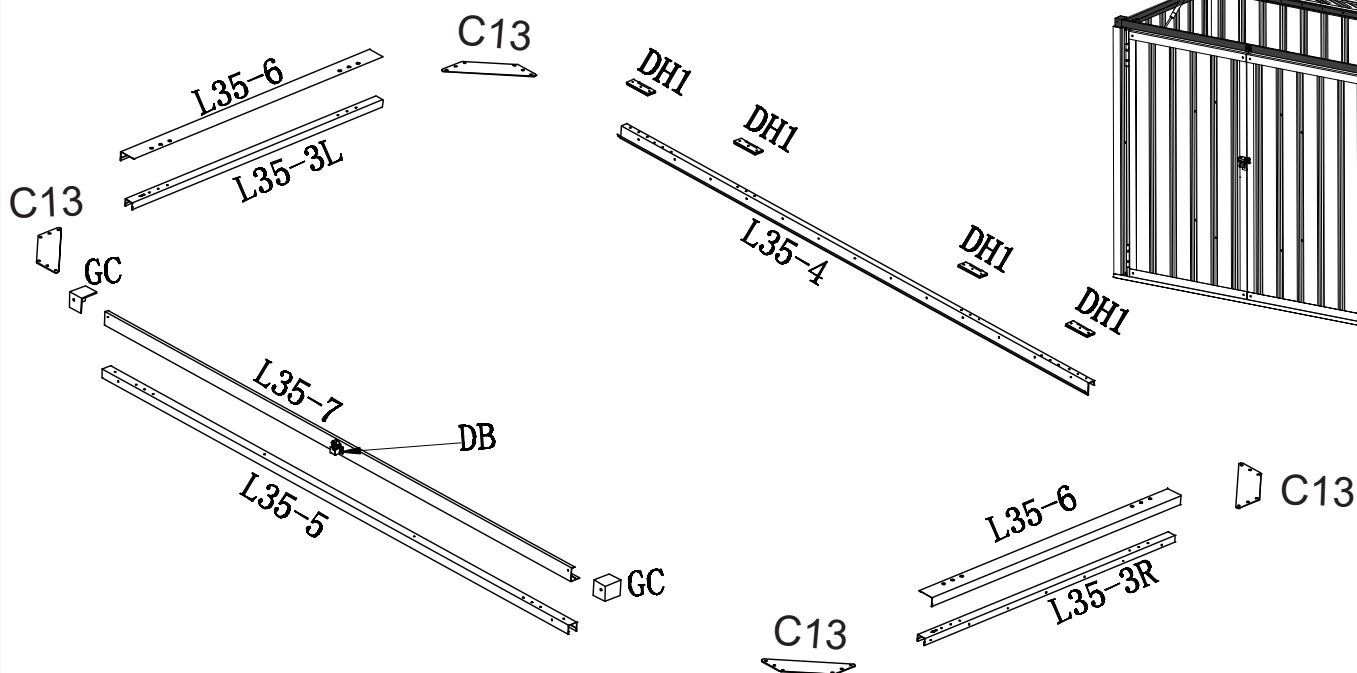
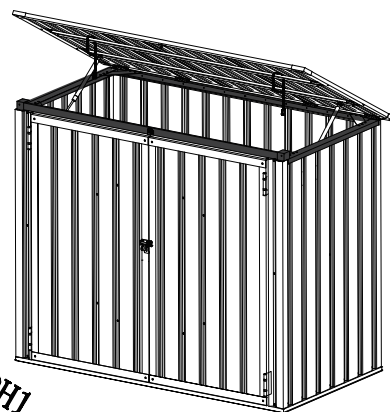
Shed top panels

NO.	GD	L35-10	L35-12	L35-13
QTY.	4	2	3	1
NO.	DF	L35-8	L35-9	L35-11
QTY.	2	1	1	2







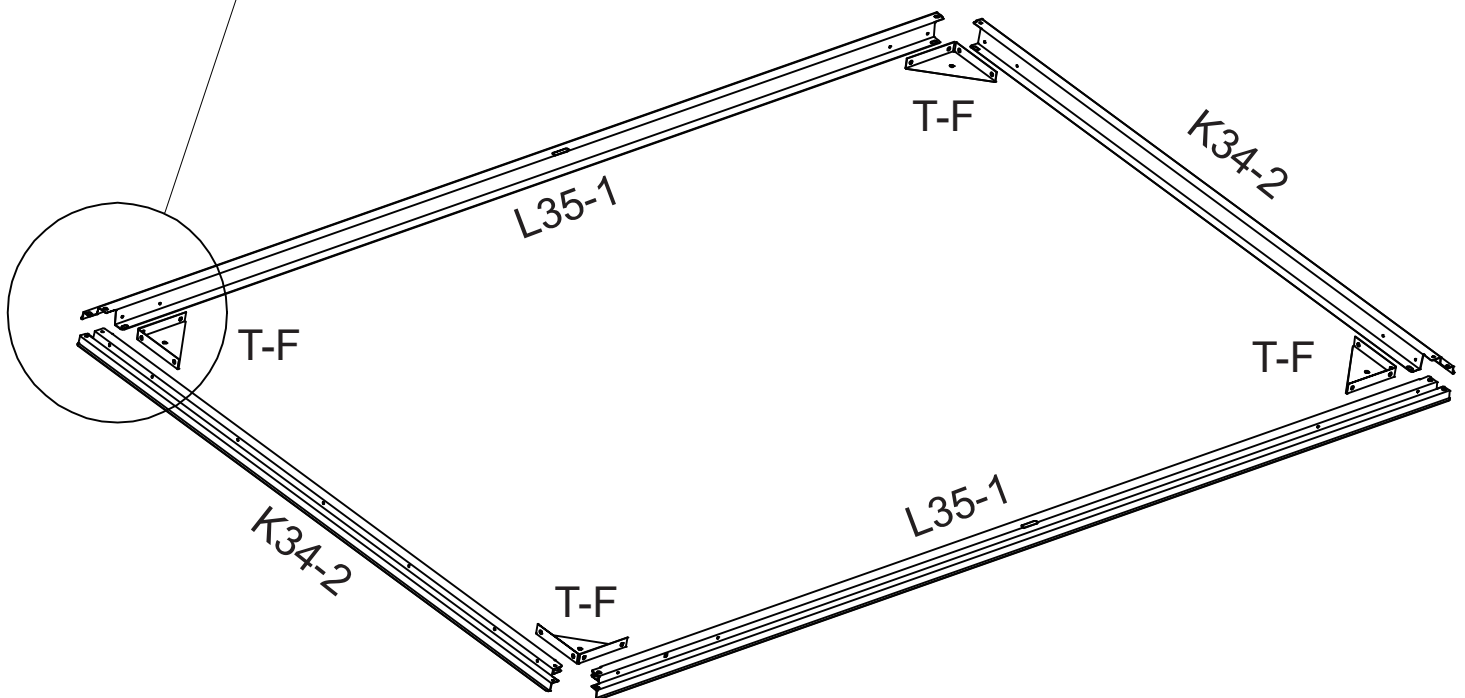
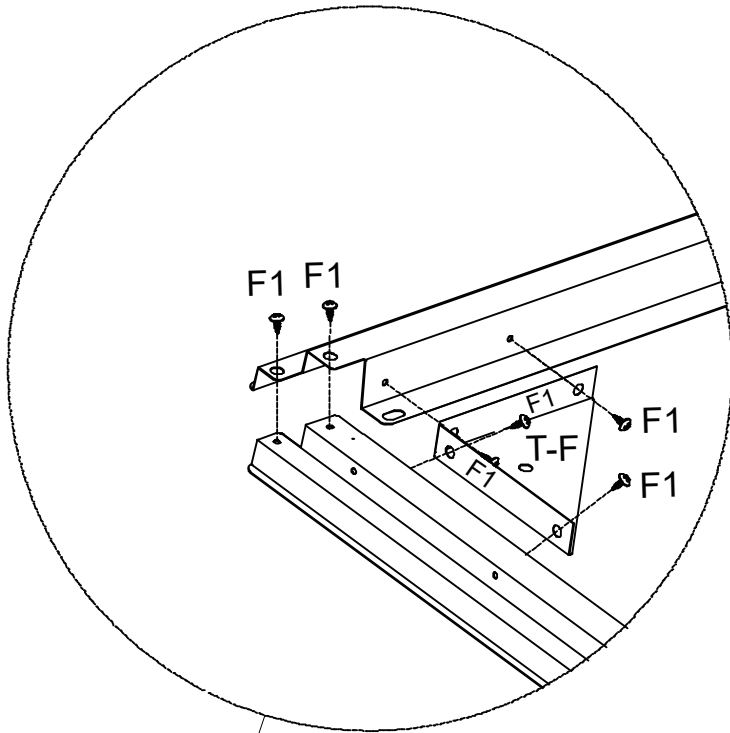
Shed top frame

NO.	C13	L35-6	L35-3L	L35-3R	GC	DH1	L35-5	L35-7	L35-4	DB
QTY.	4	2	1	1	2	4	1	1	1	1



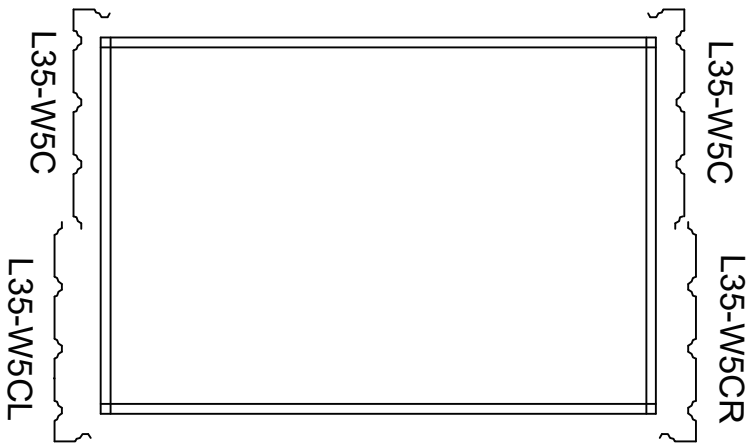
Shed Base Frame Assemble






PART	NO.	QTY.
	L35-1	2
	K34-2	2
	T-F	4
	F1	24

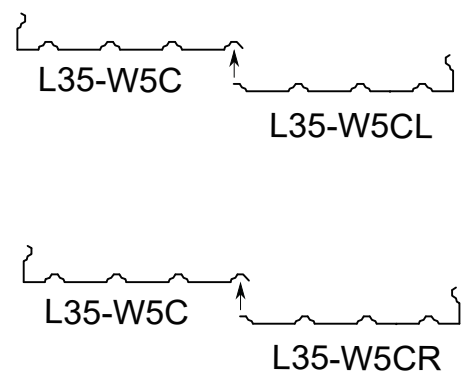
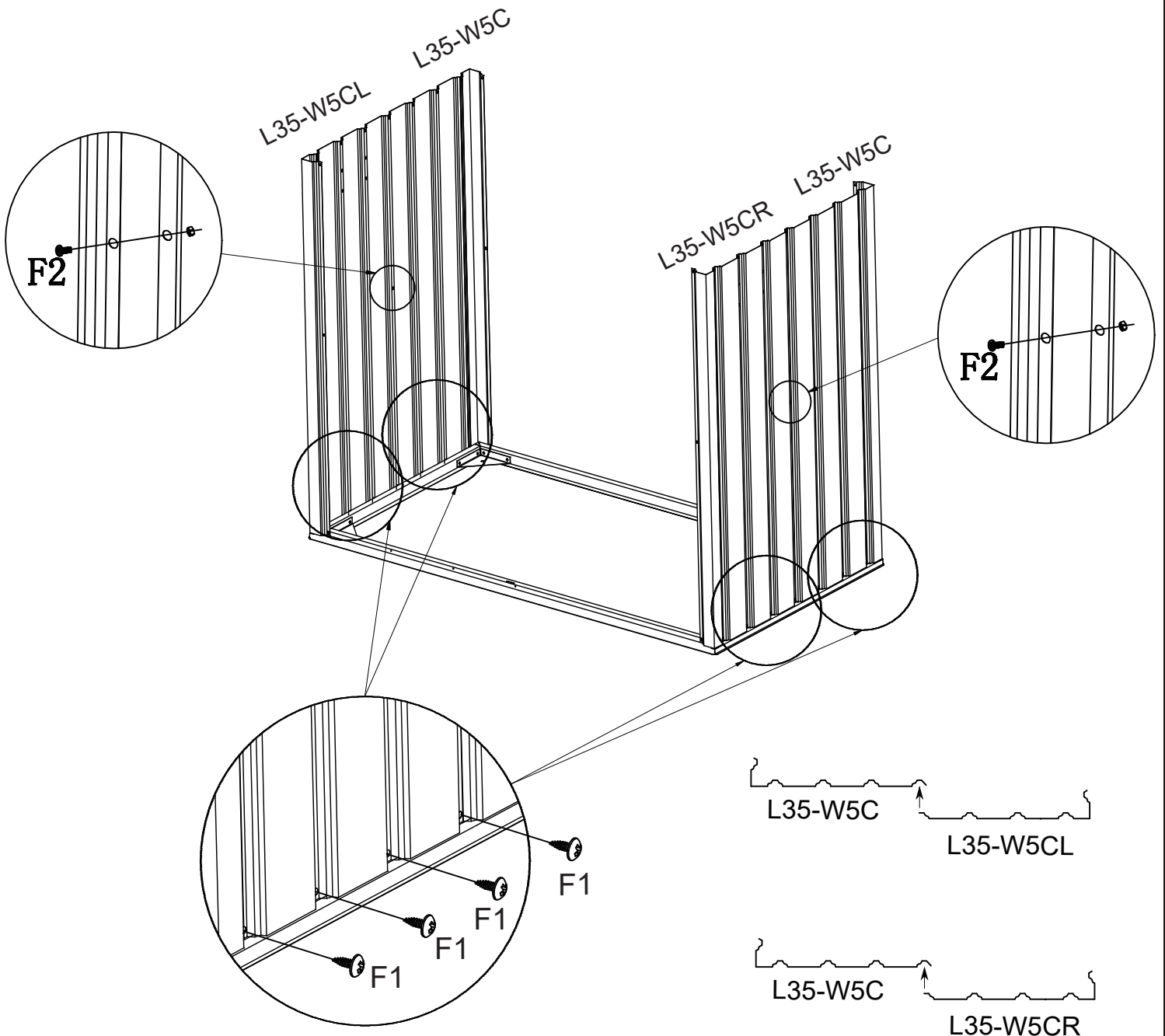



The frame is sharp, must pay attention to the installation of gloves, to avoid scratches




Shed Side Panels Assemble

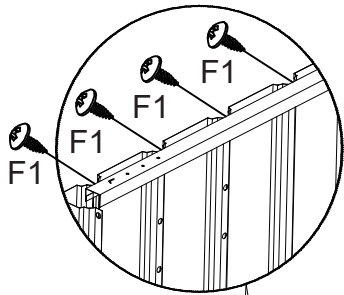


PART	NO.	QTY.
	L35-W5CL	1
	L35-W5CR	1
	L35-W5C	2
	F1	14
	F2	2

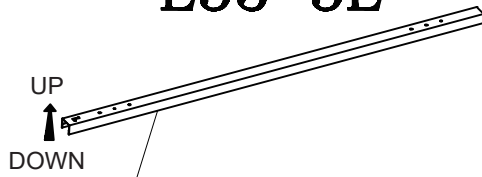


 **NOTE:** Please team work, need more than two people together to install.

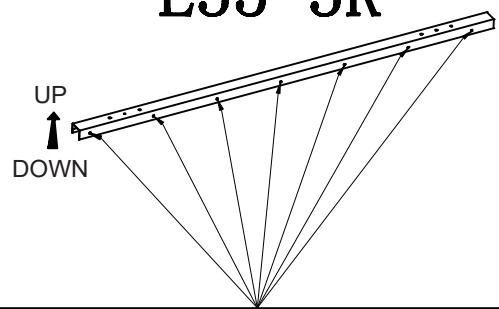
PART	NO.	QTY.
	L35-3L	1
	L35-3R	1
	F1	14




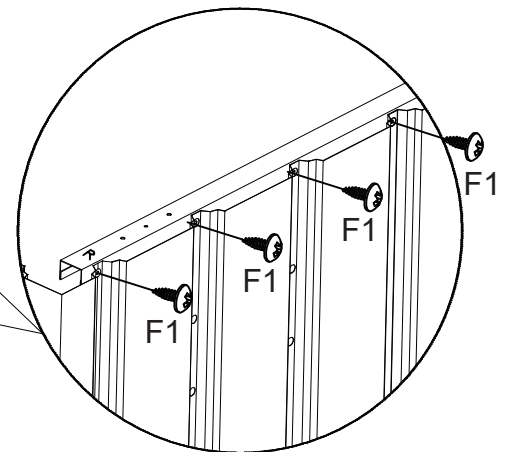
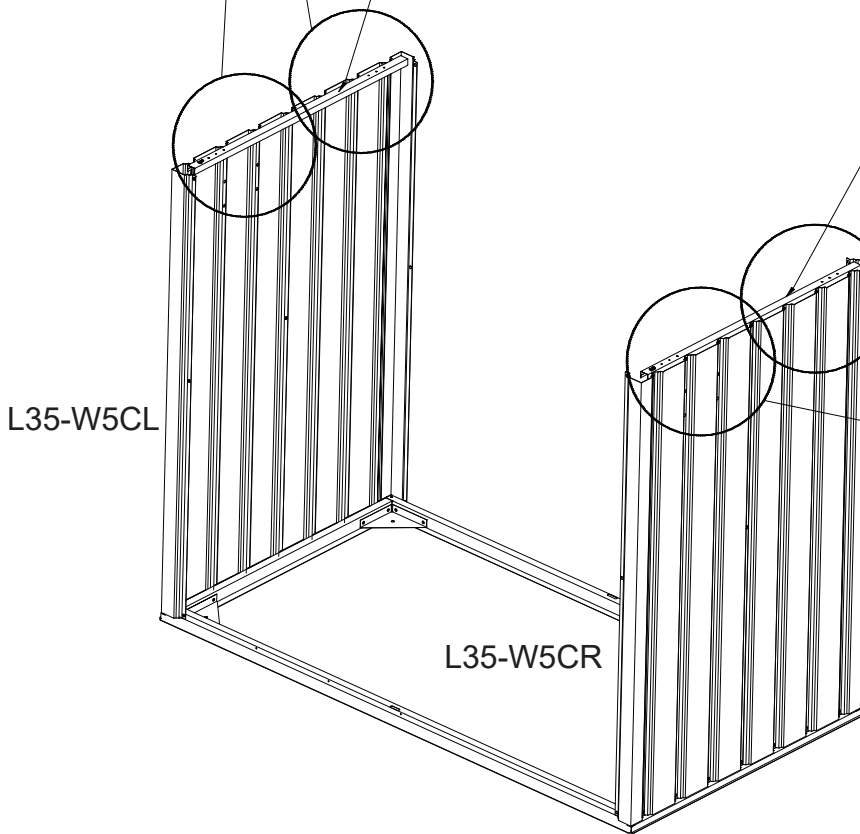
L35-3L


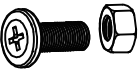



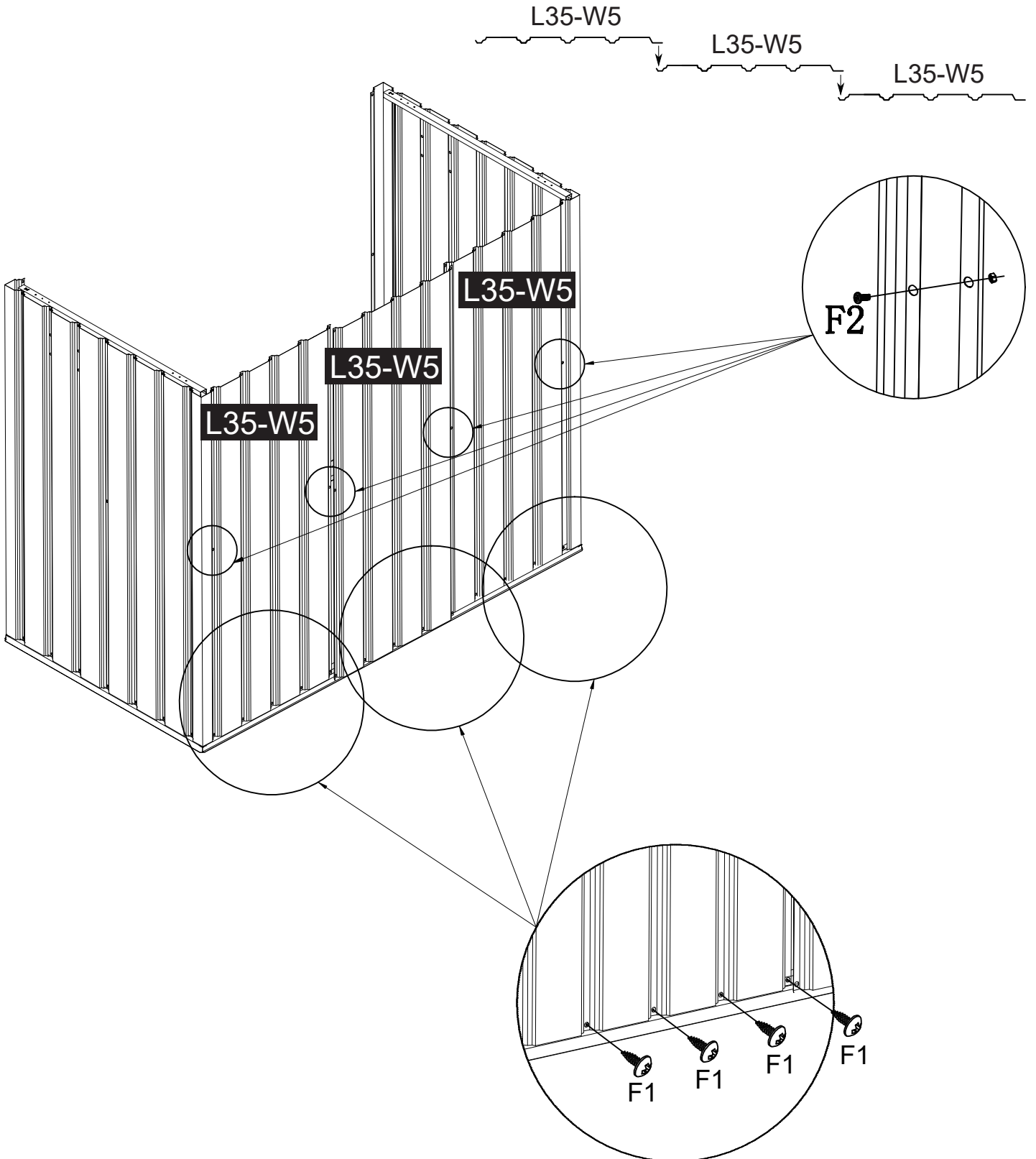
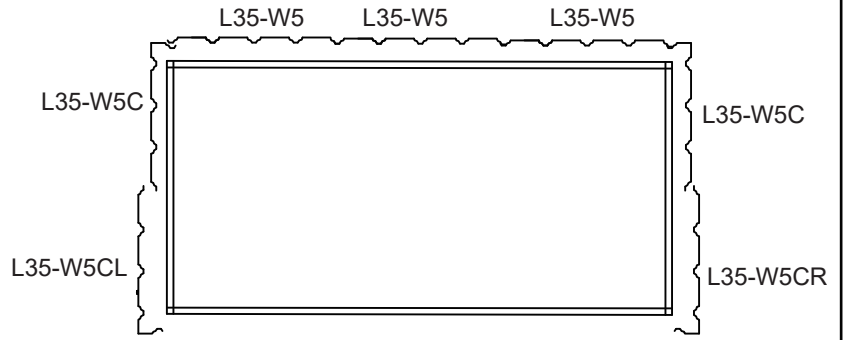
L35-3R





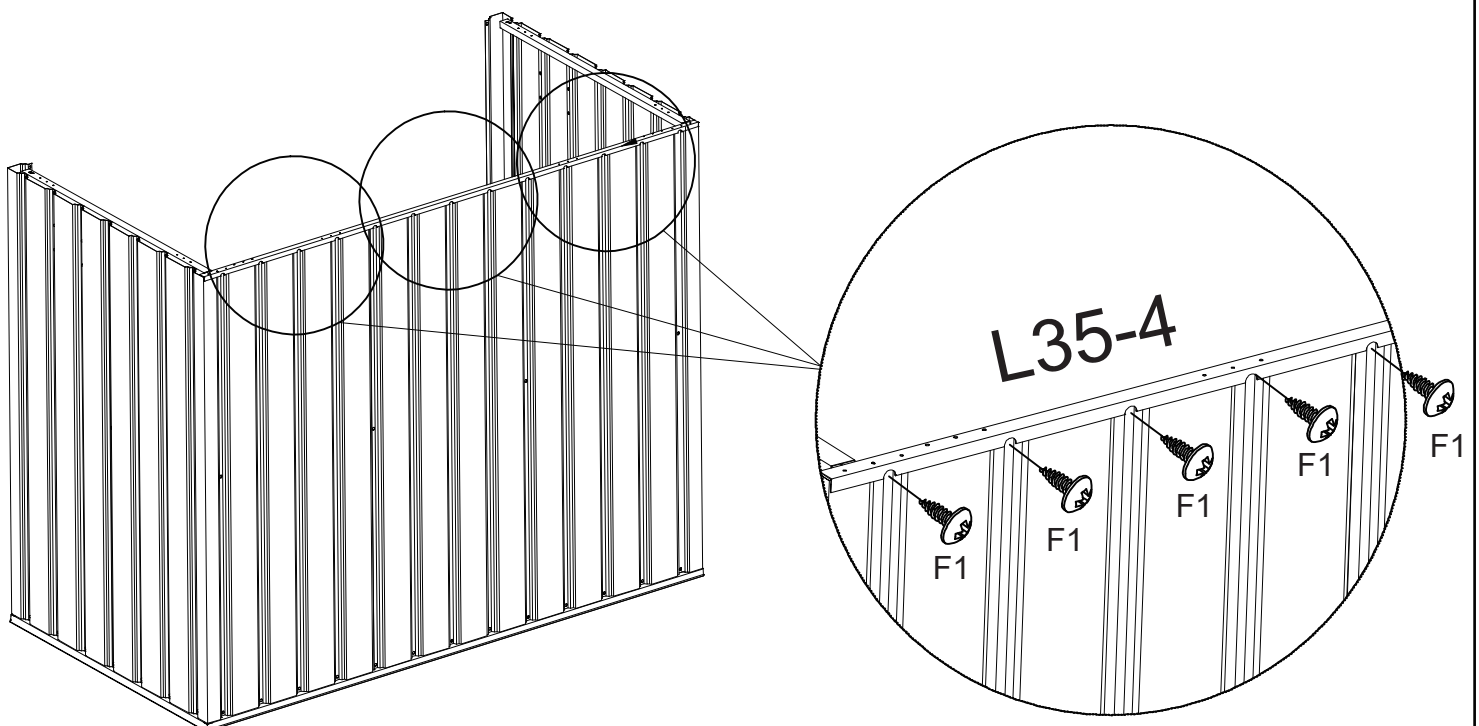
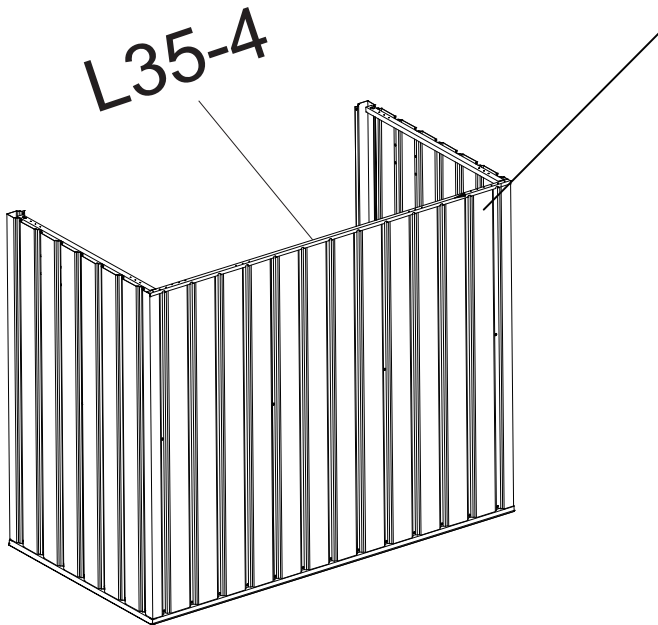
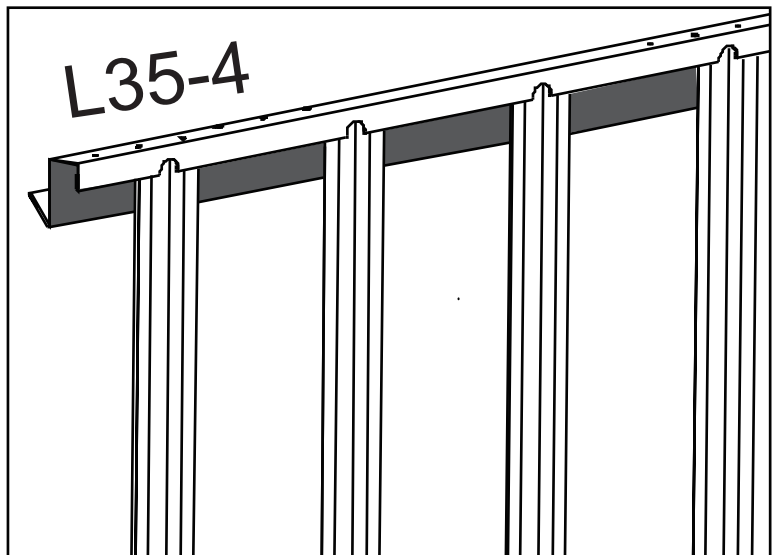
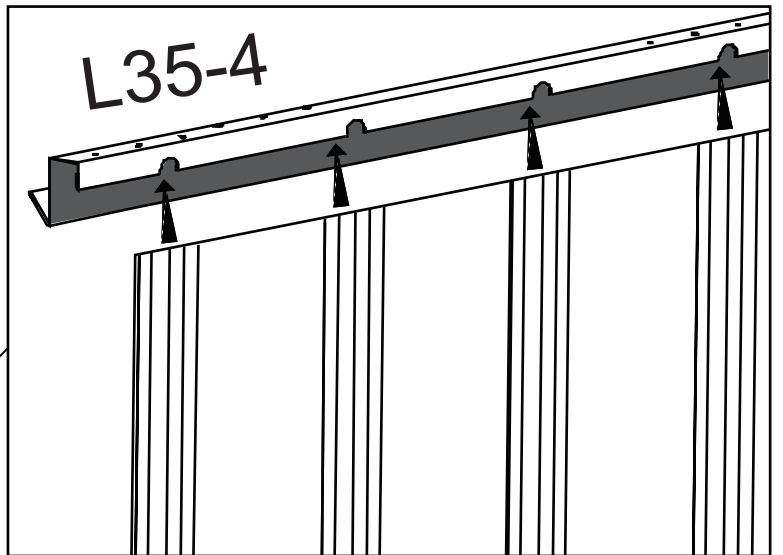
 Please pay attention to the installation direction of the Part **【L35-3L】** and Part **【L35-3R】** . There are 7 holes on one side connected to the side panel **【L35-W5CL】** and **【L35-W5CR】**

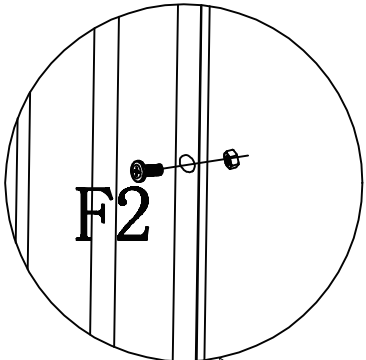





PART	NO.	QTY.
	L35-W5	3
	F2	4
	F1	13

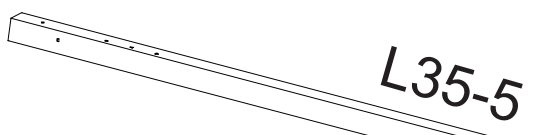
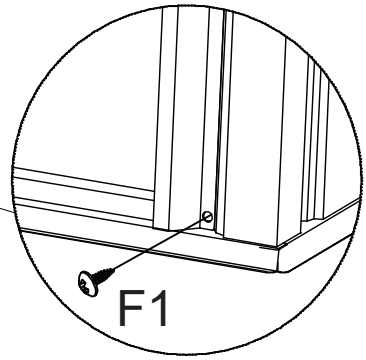
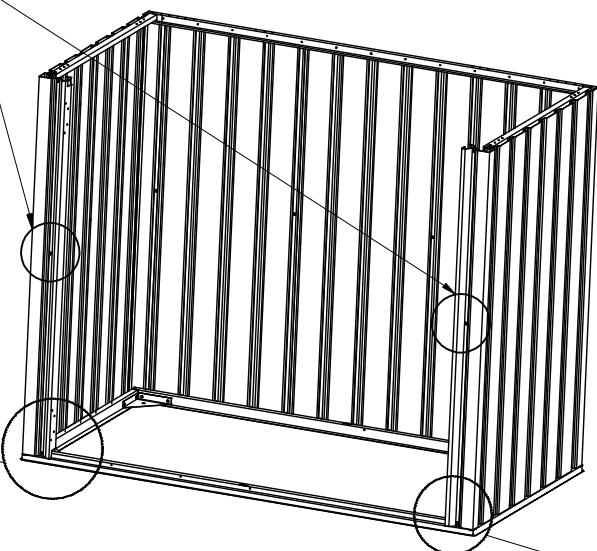
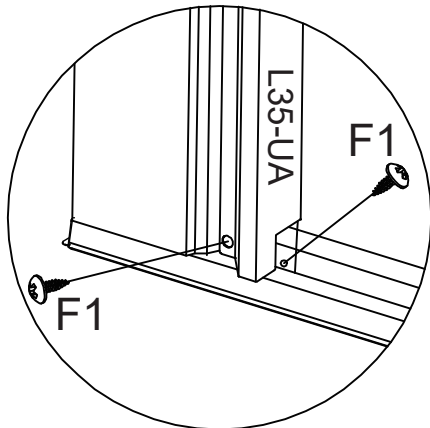




PART	NO.	QTY.
	L35-4	1
	F1	13

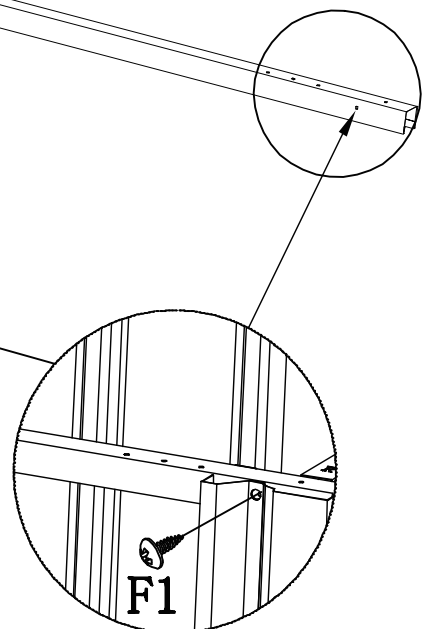
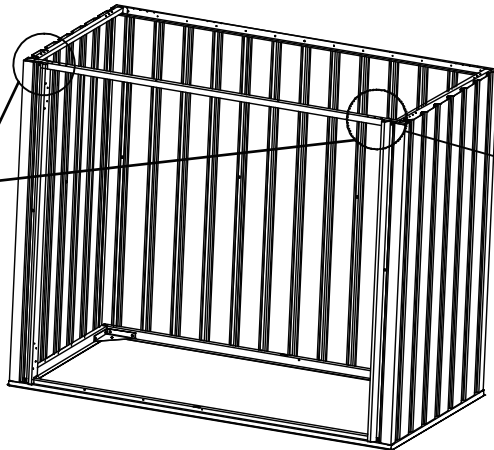
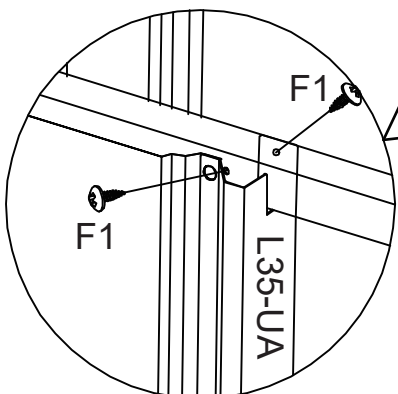



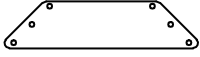



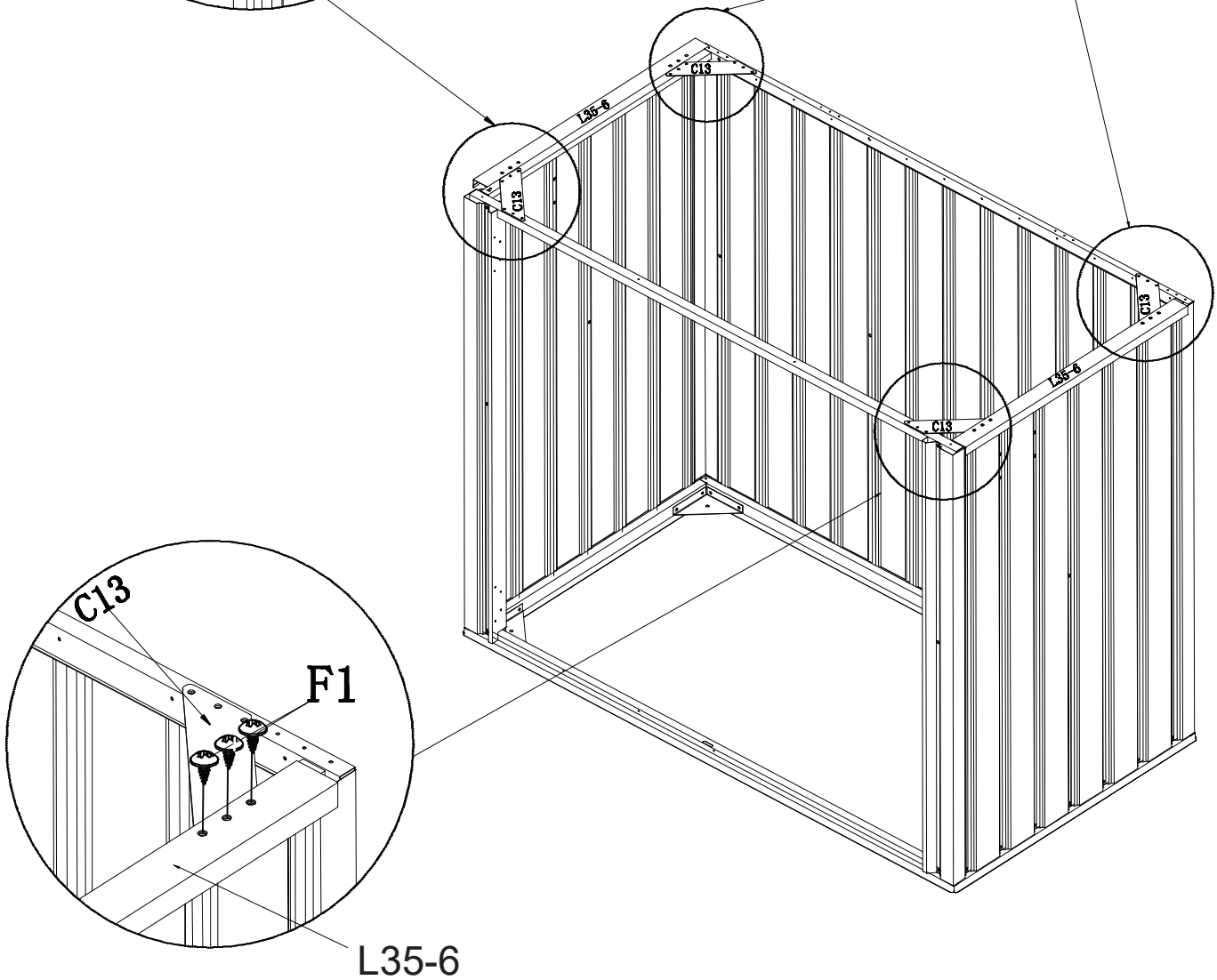
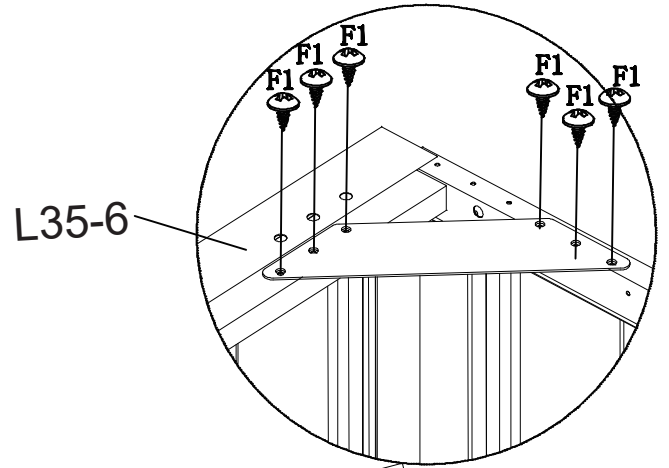
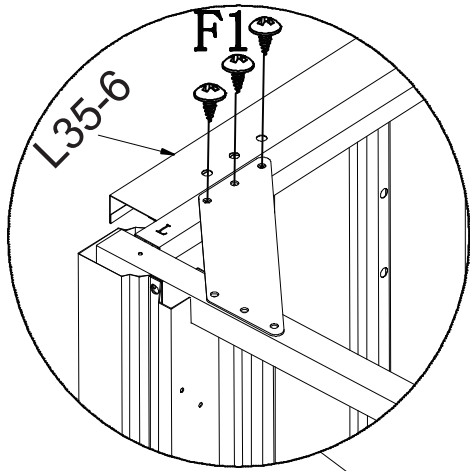
PART	NO.	QTY.
	L35-UA	2
	F2	2
	F1	4

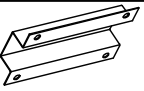


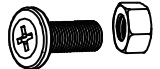


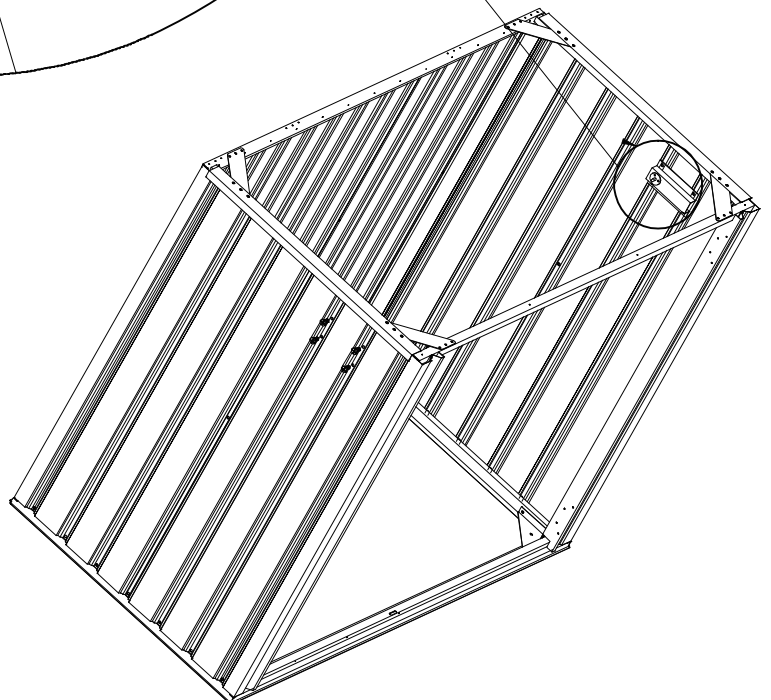
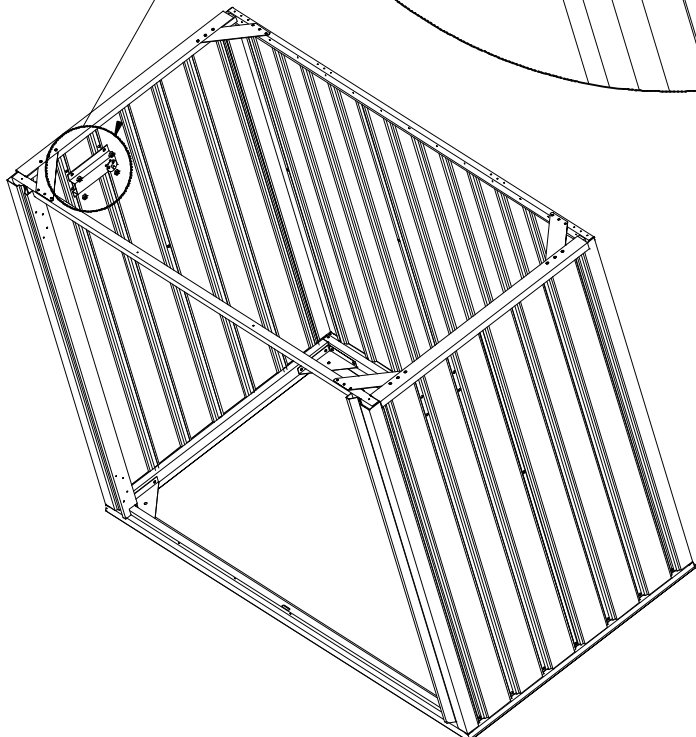
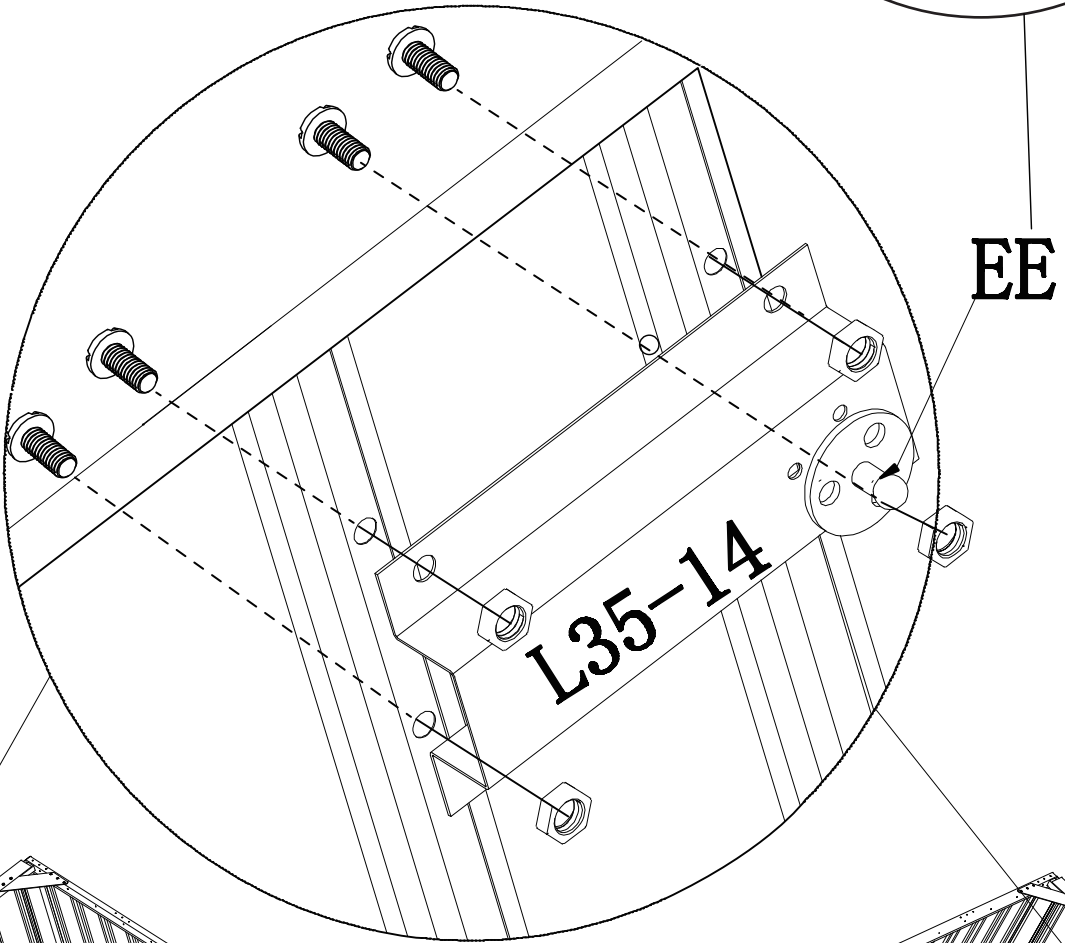
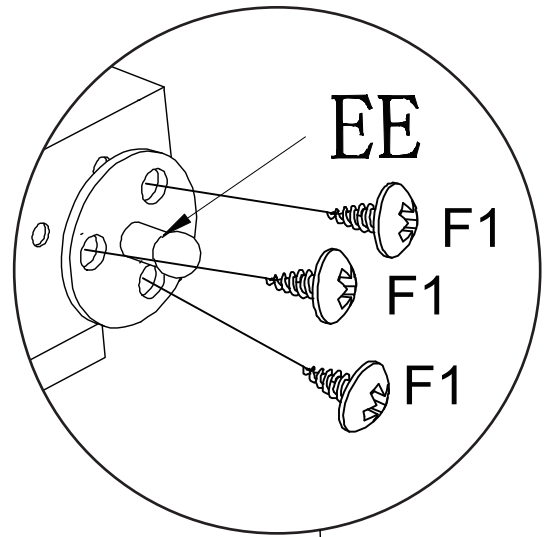
PART	NO.	QTY.
	L35-5	1
	F1	4

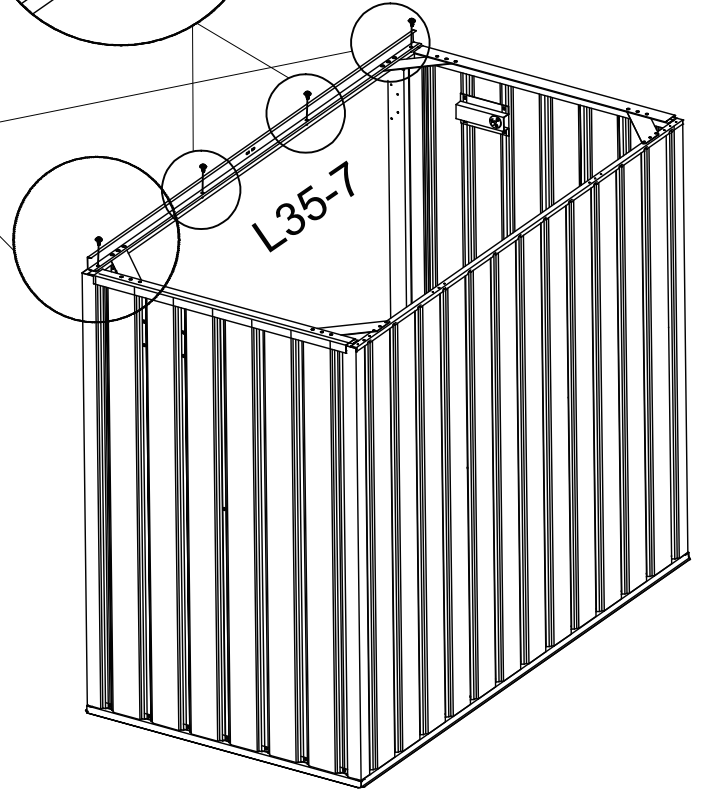
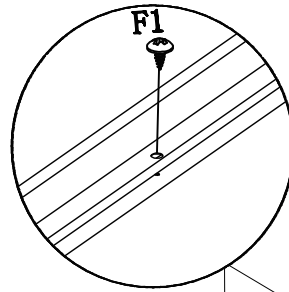
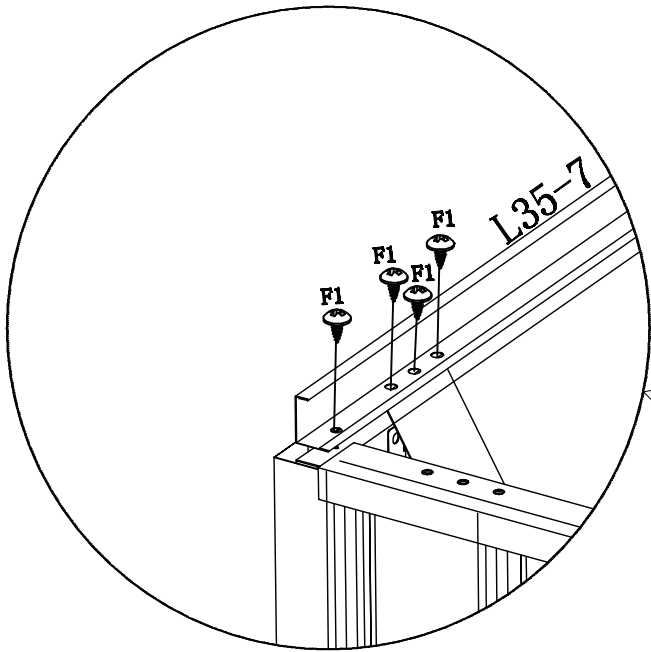




PART	NO.	QTY.
	L35-6	2
	C13	4
	F1	18

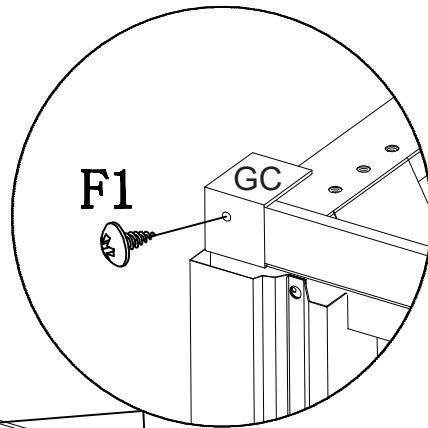






PART	NO.	QTY.
	L35-14	2
	EE	2
	F1	6
	F2	8

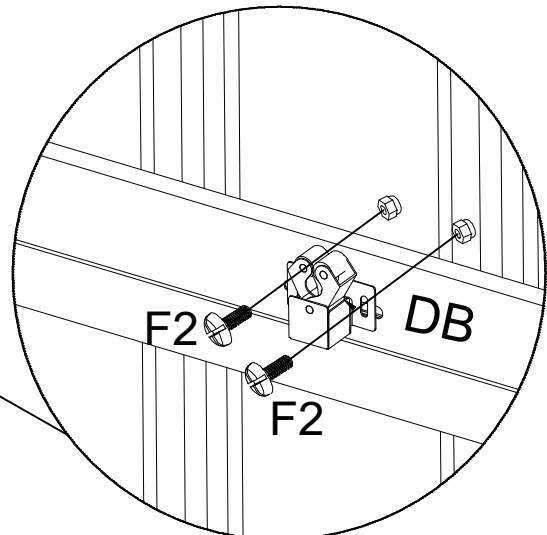
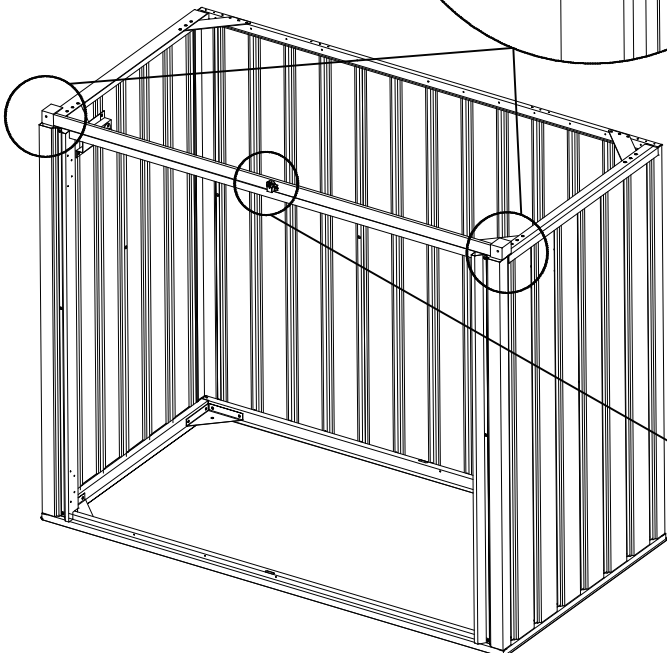







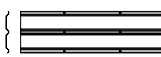


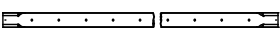


PART	NO.	QTY.
	L35-7	1
	F1	10



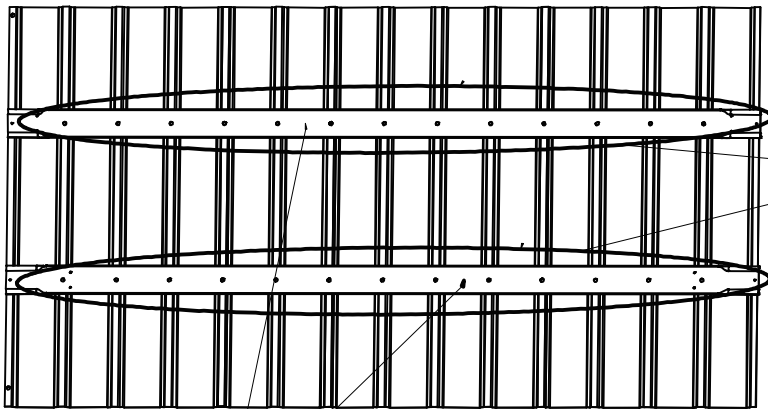
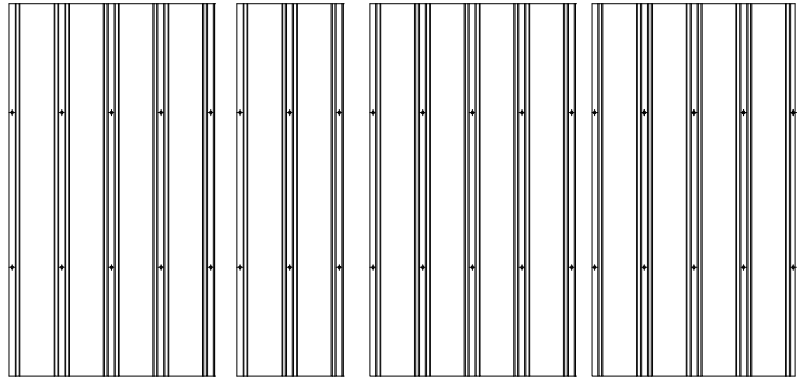
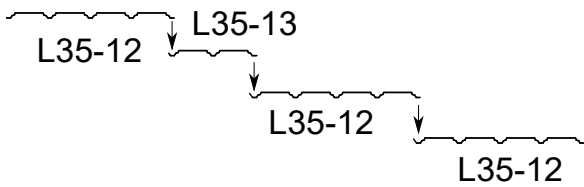
PART	NO.	QTY.
	GC	2
	DB	1
	F2	2
	F1	2



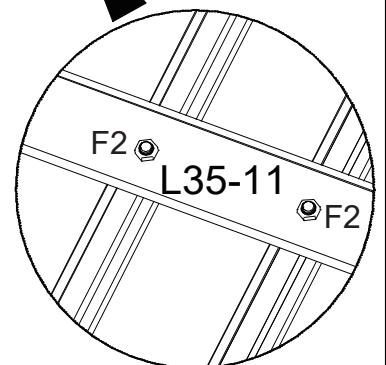
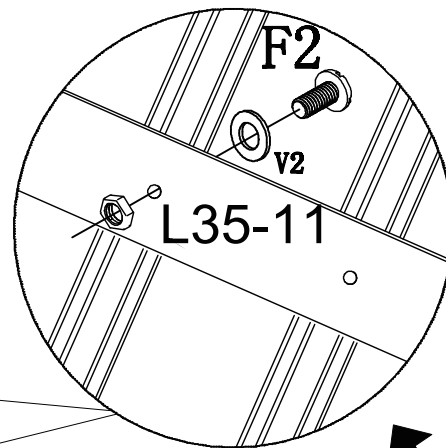
Shed Top Assemble

PART	NO.	QTY.	PART	NO.	QTY.
	L35-8	1		L35-12	3
	L35-9	1		L35-13	1
	L35-10	2		F1	12
	L35-11	2		F2	26
	V2	26			

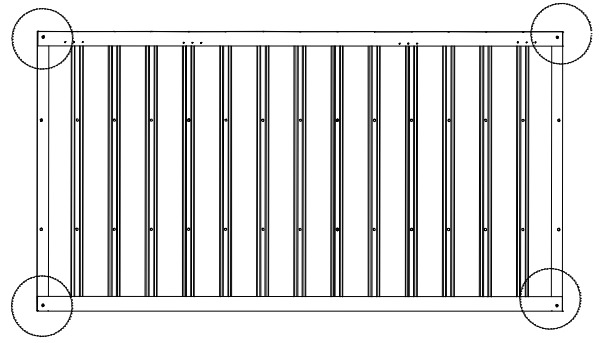
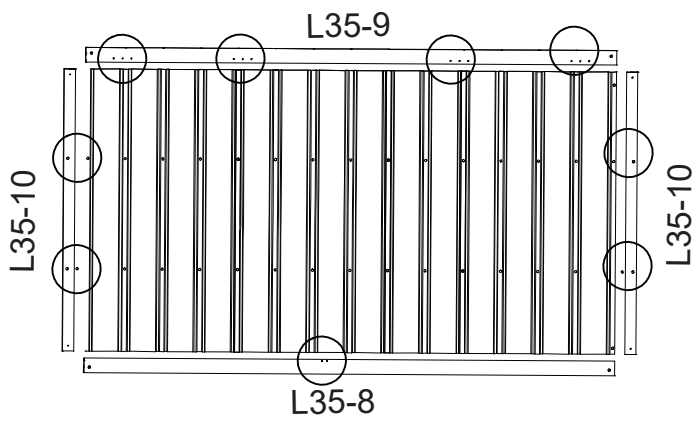
The inside of the shed top panel



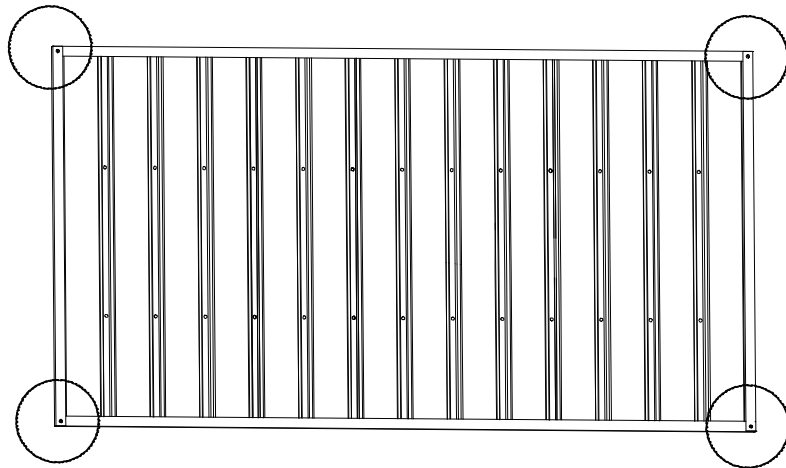
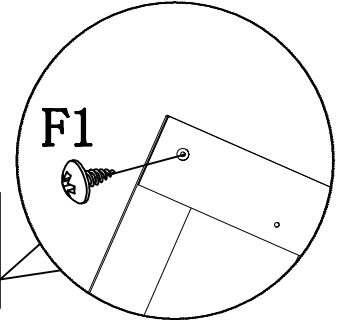
L35-11



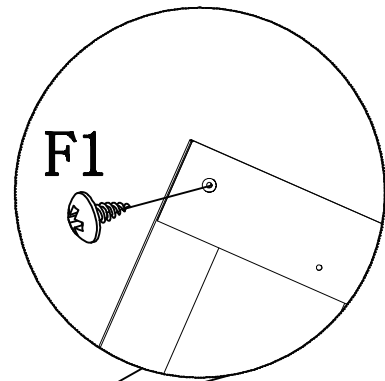
The inside of the shed top panel



Note: The larger hole is always covered over the small hole.

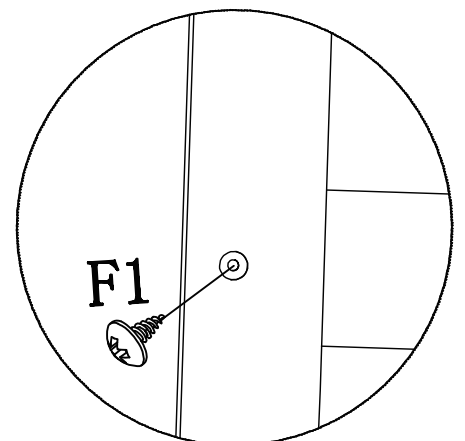
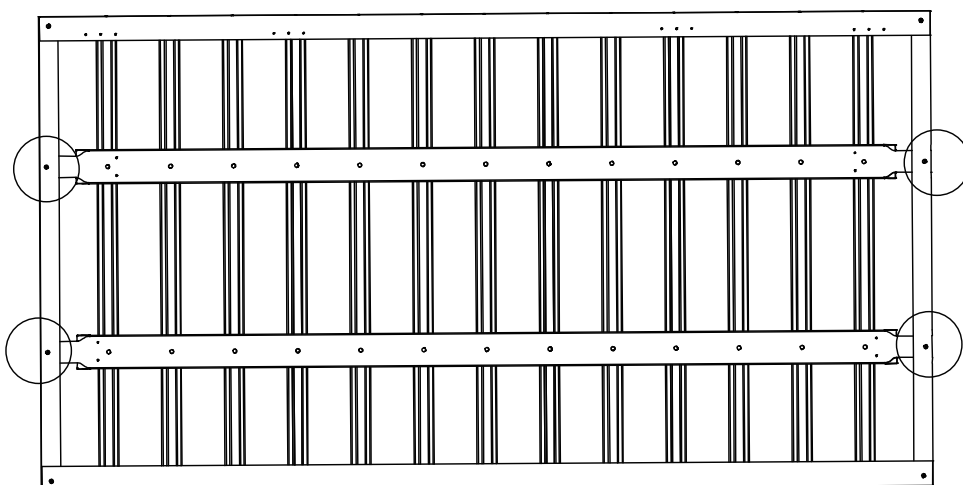



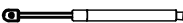


The outside of the shed top panel





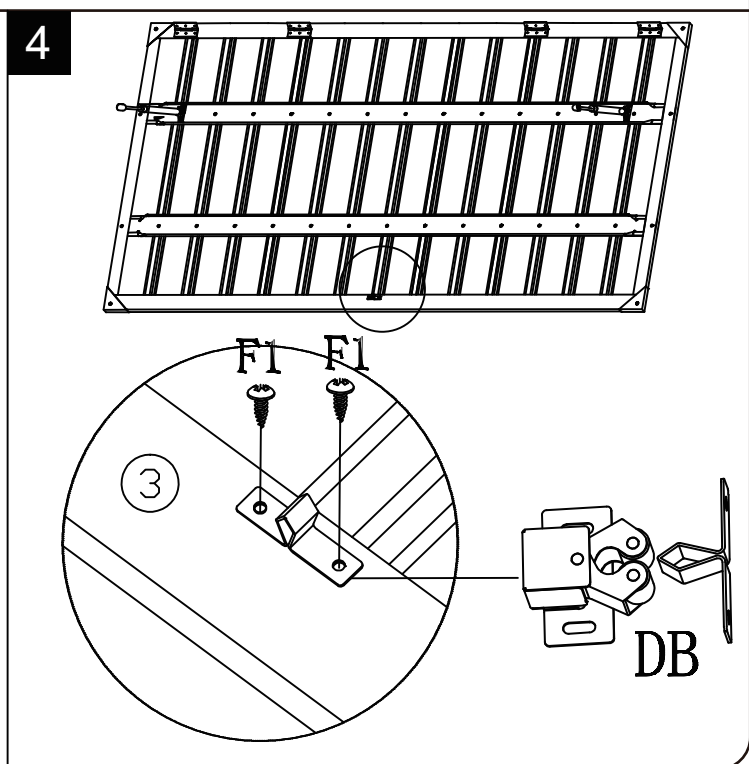
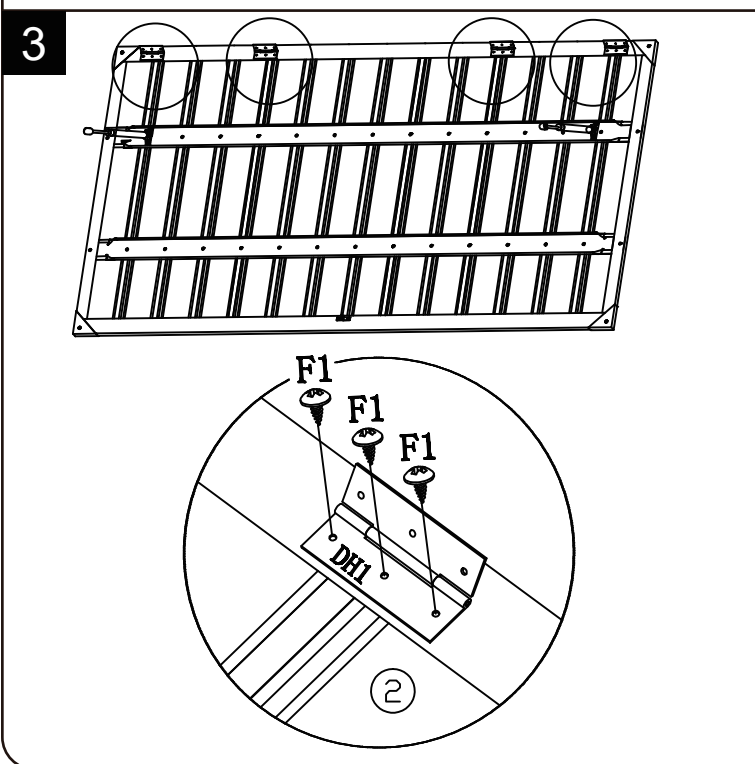
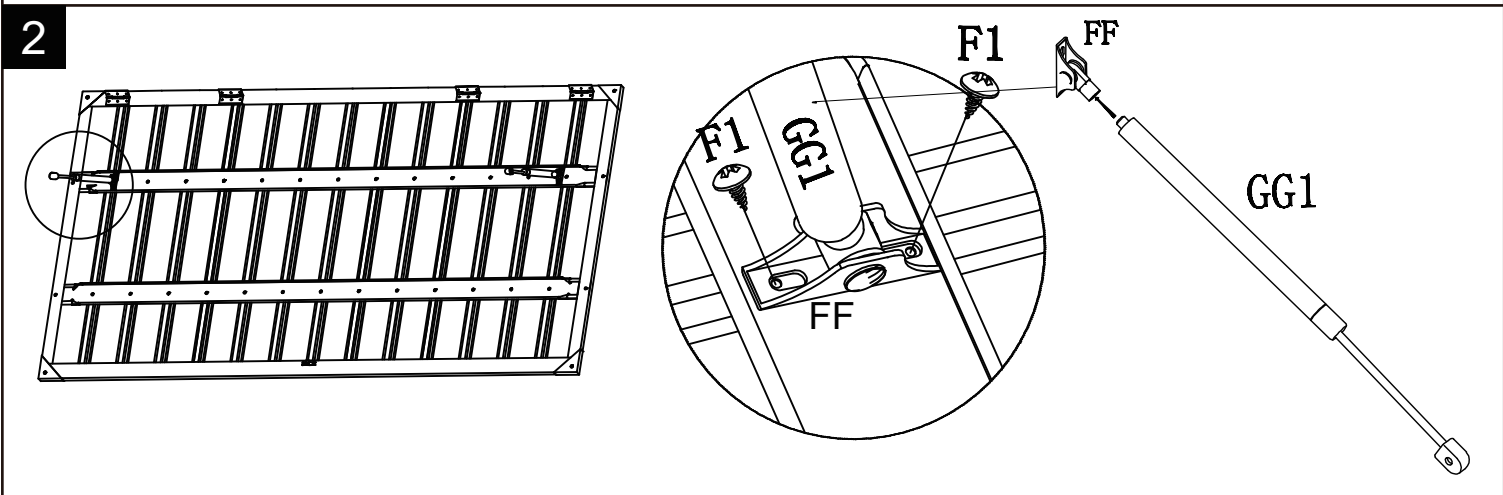
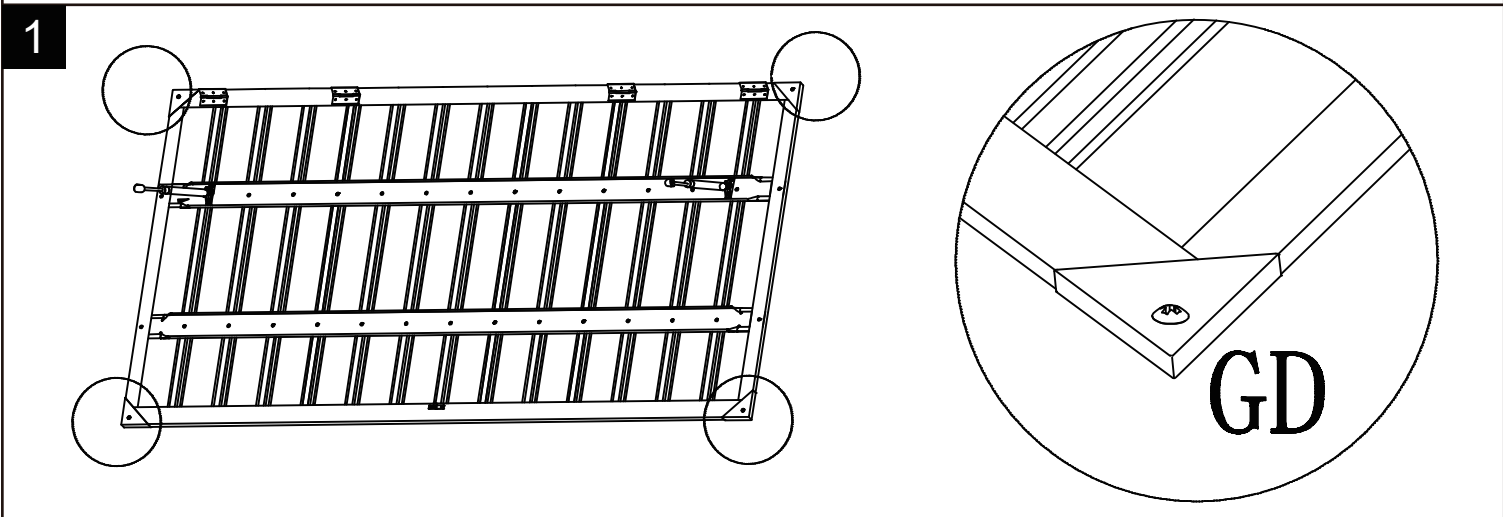
Note: The larger hole is always covered over the small hole.


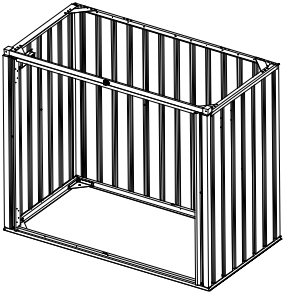
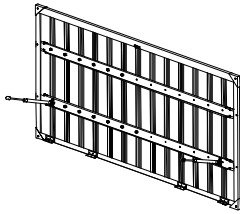
The inside of the shed top panel

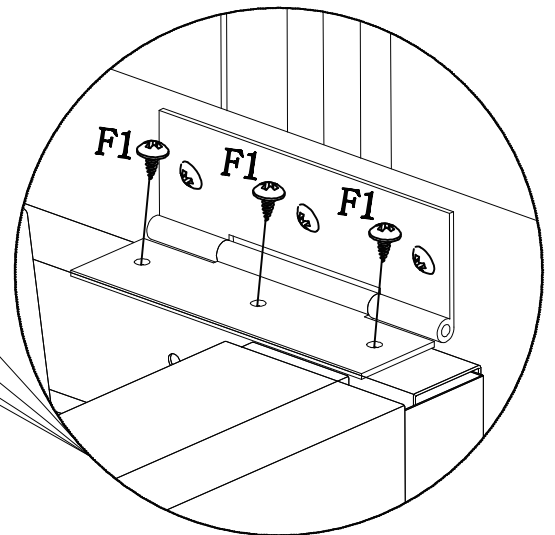
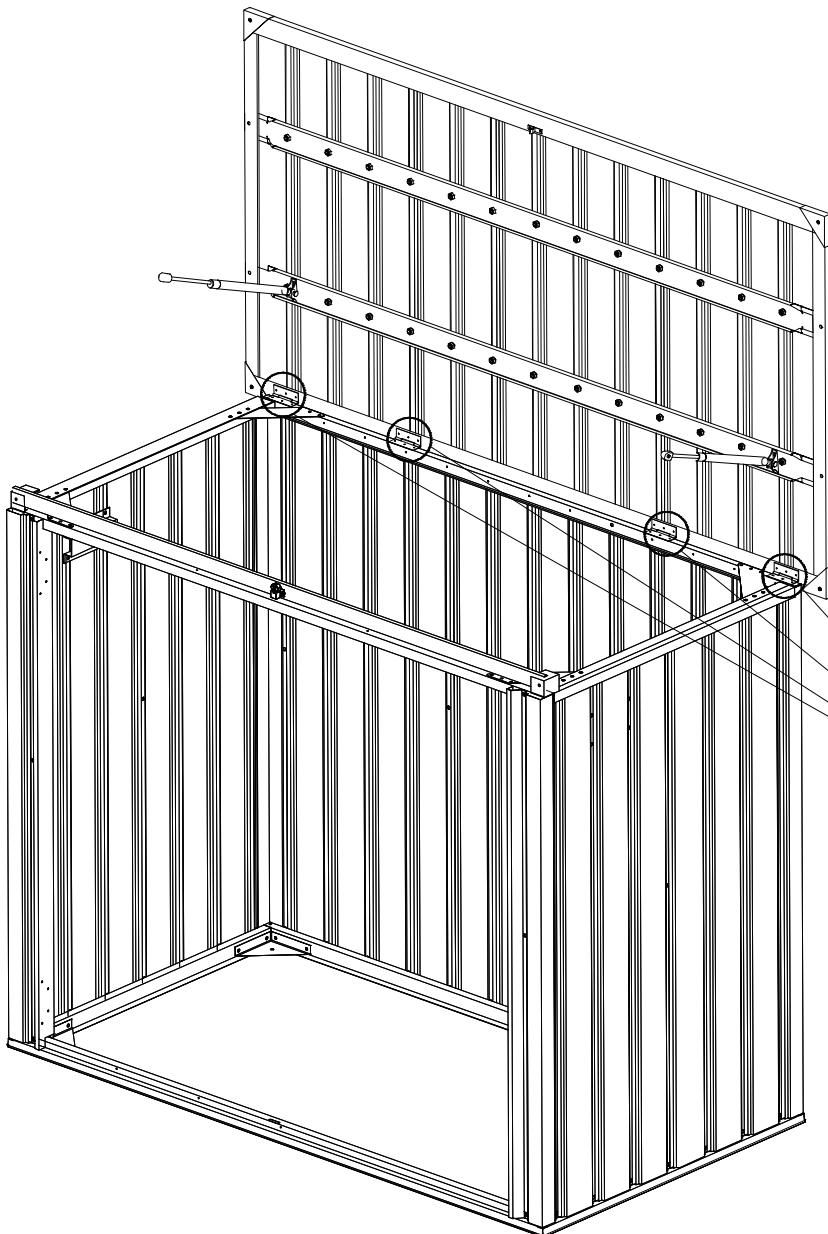


PART	NO.	QTY.
	DB	1
	GG1	2
	FF	2
	DH1	4

PART	NO.	QTY.
	GD	4
	F1	18

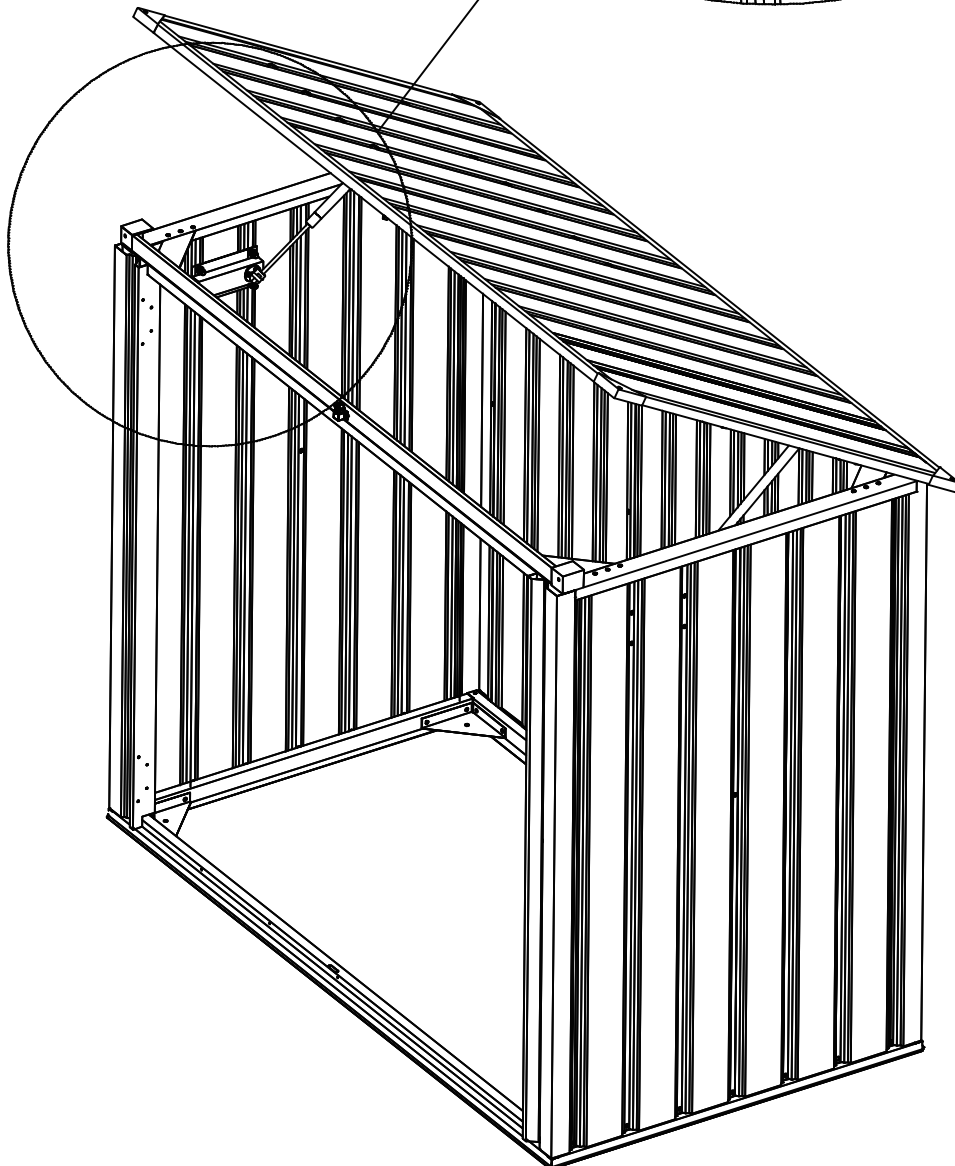
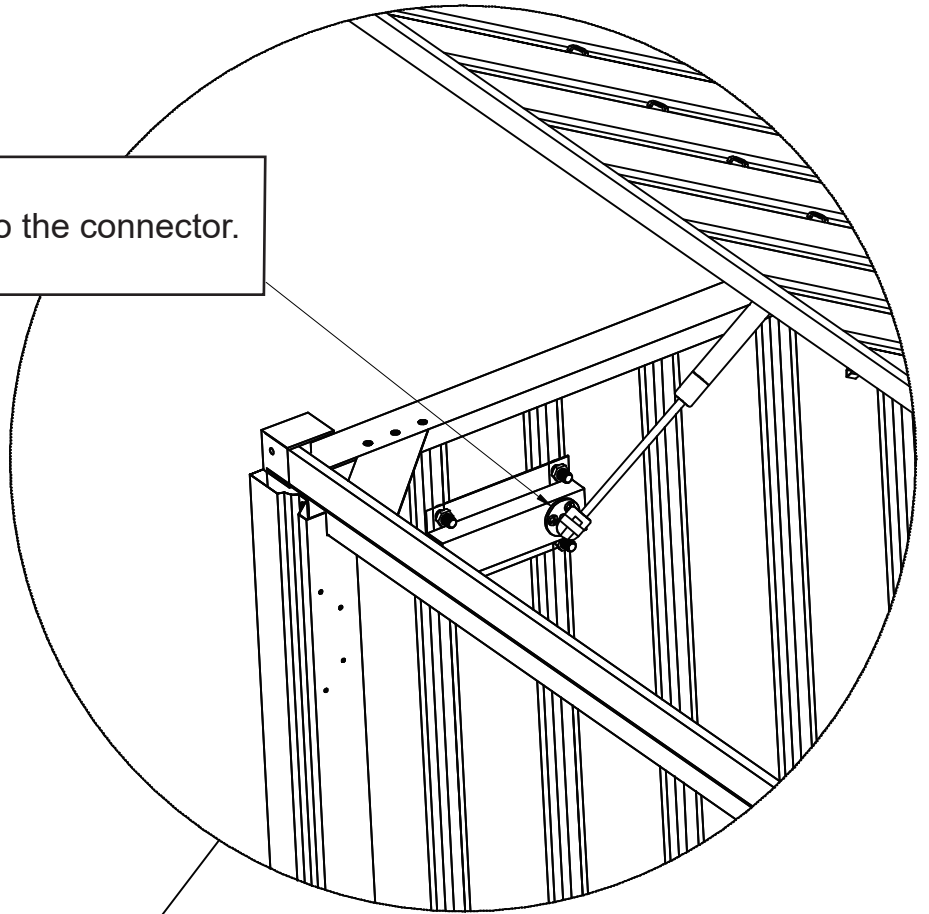


PART	NO.	QTY.
	F1	12
	Shed Frame	1
	Shed Top Panel	1





Force the rod into the connector.



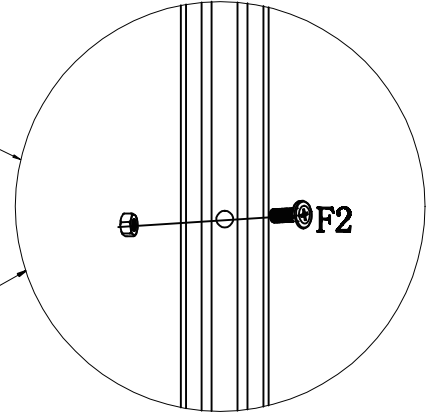
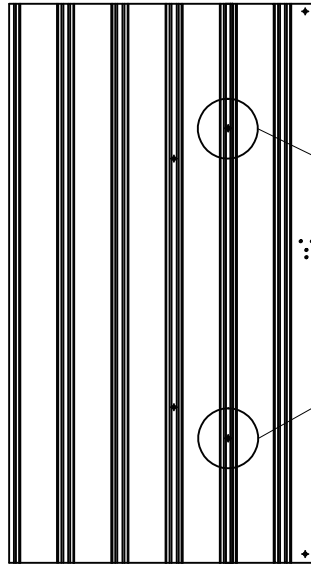
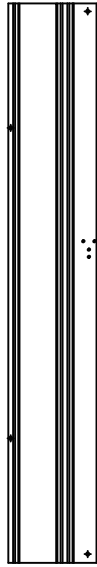
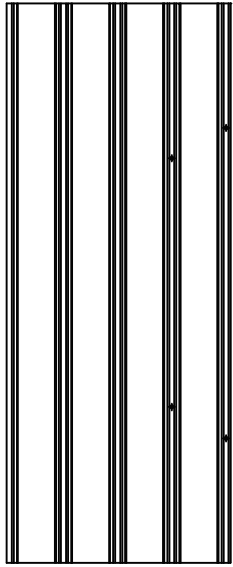
Door Assemble

DL



View from the front, the vertical rod covers the horizontal rod. The larger hole is always covers over small ones.

PART	NO.	QTY.
	L35-W5K	1
	L35-W2HL	1
	F2	2



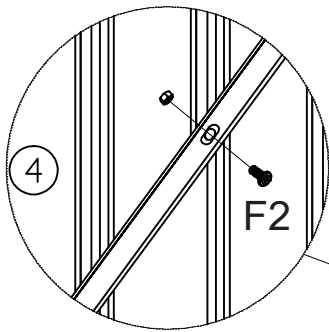
L35-W5K

L35-W2HL

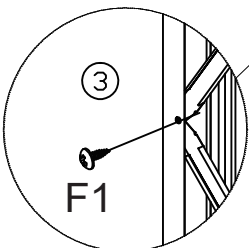
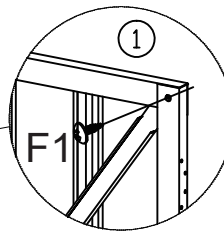
L35-W5K

L35-W2HL

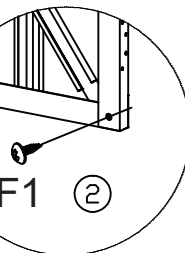
BACK



DDA

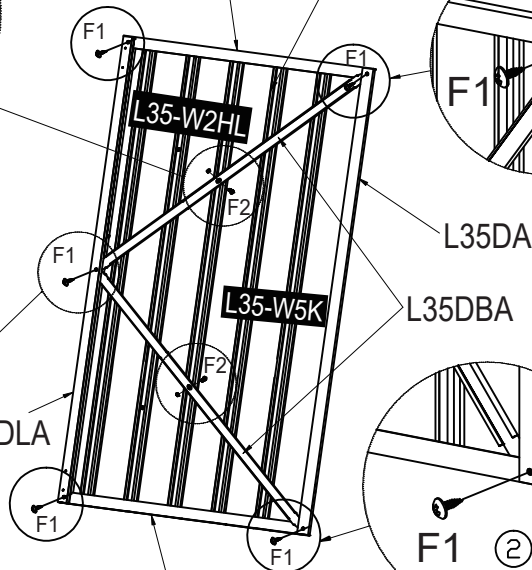


L35DLA



F1

DDA



PART	NO.	QTY.
	L35-DA	1
	L35-DLA	1
	DDA	2
	L35-DBA	2
	F1	9
	F2	2

Please follow the steps of
①-②-③-④

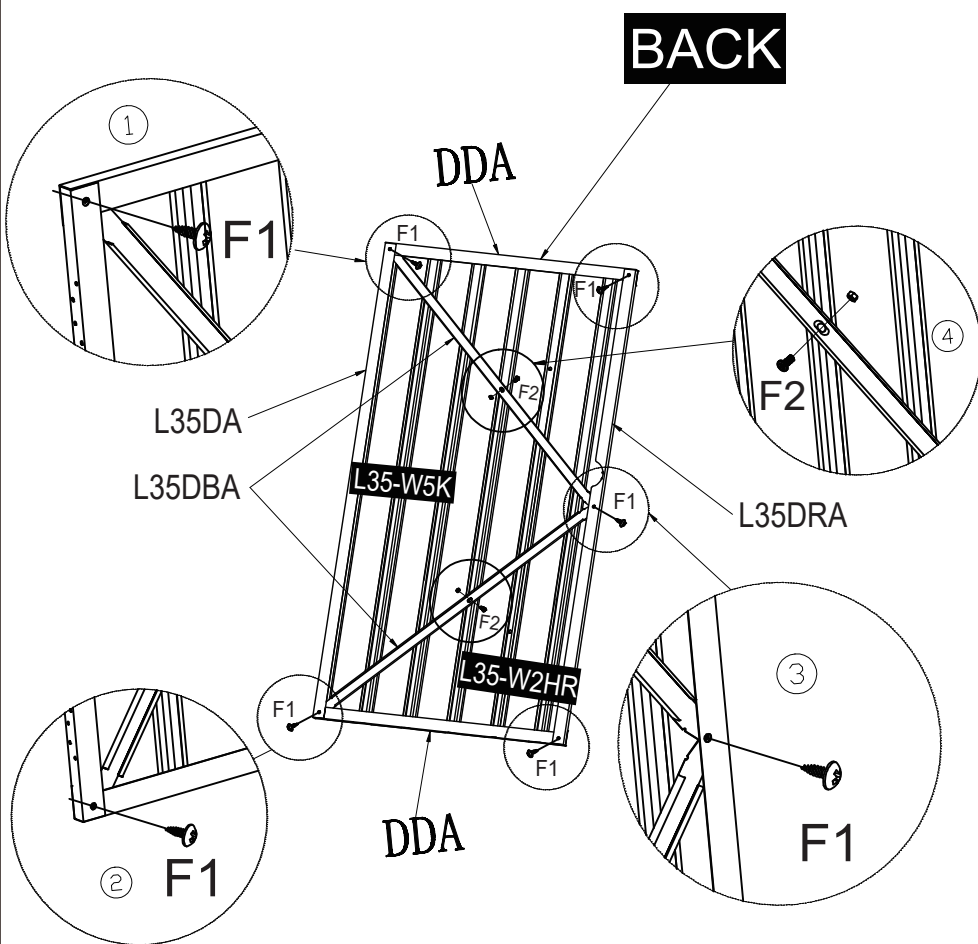
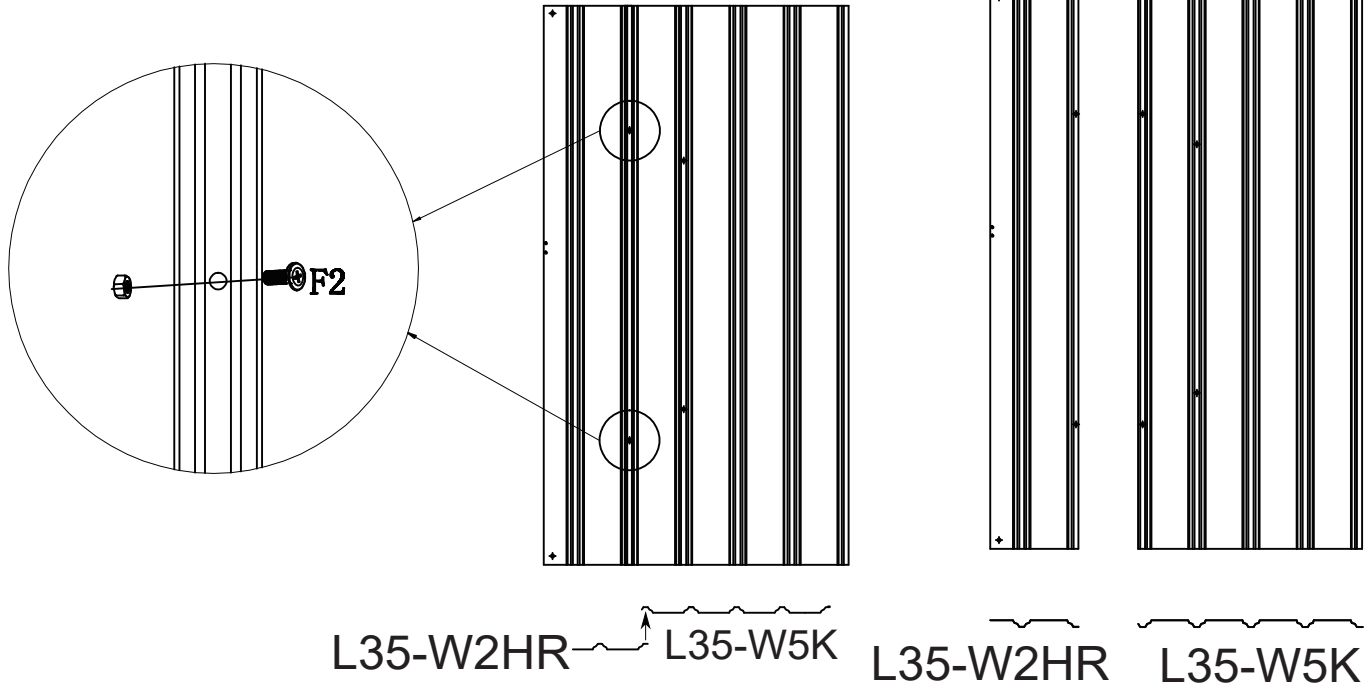
The final fixation should be done
after all parts are aligned

DR



View from the front, the vertical rod covers the horizontal rod. The larger hole is always covers over small ones.





PART	NO.	QTY.
	L35-W5K	1
	L35-W2HR	1
	F2	2






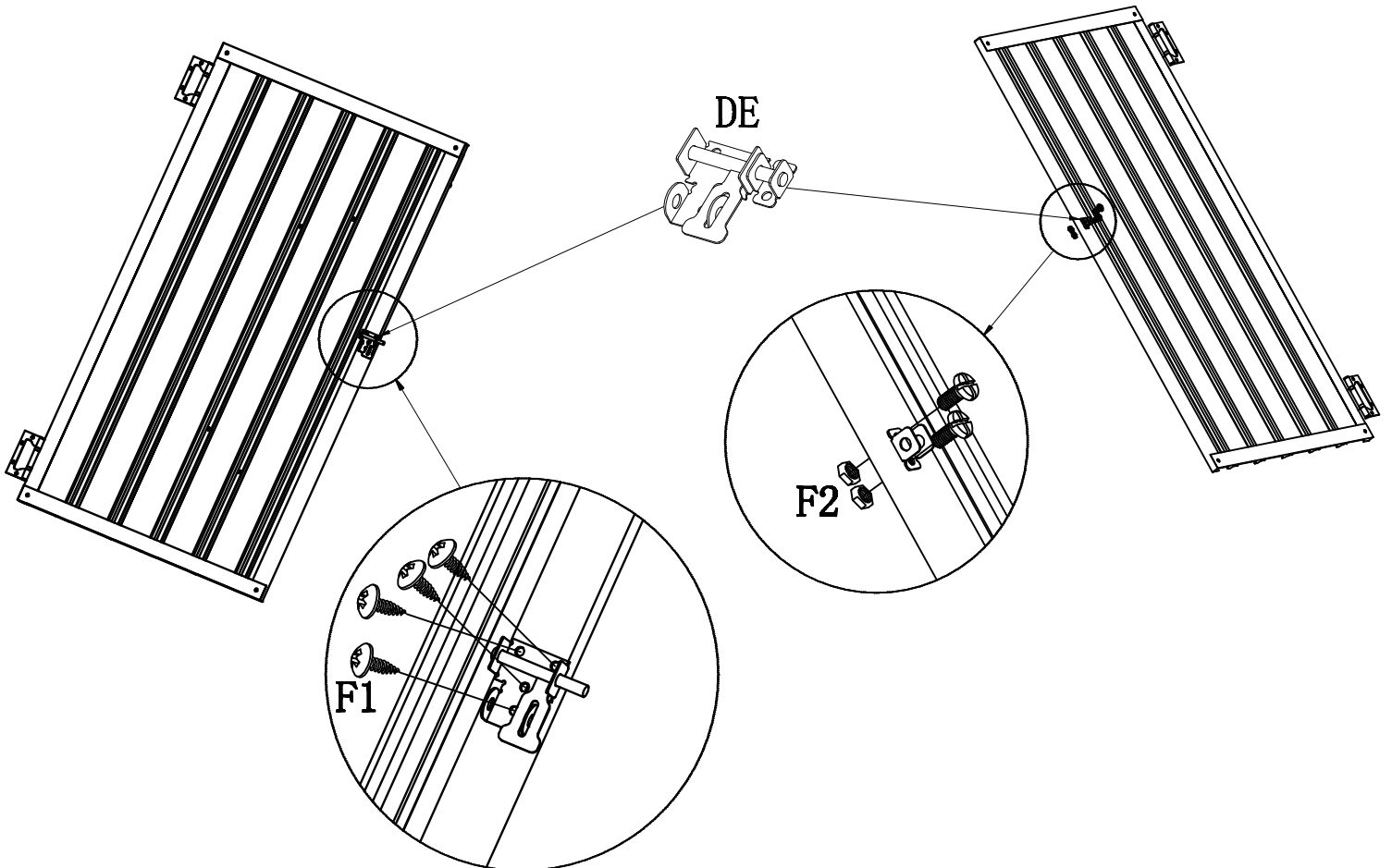
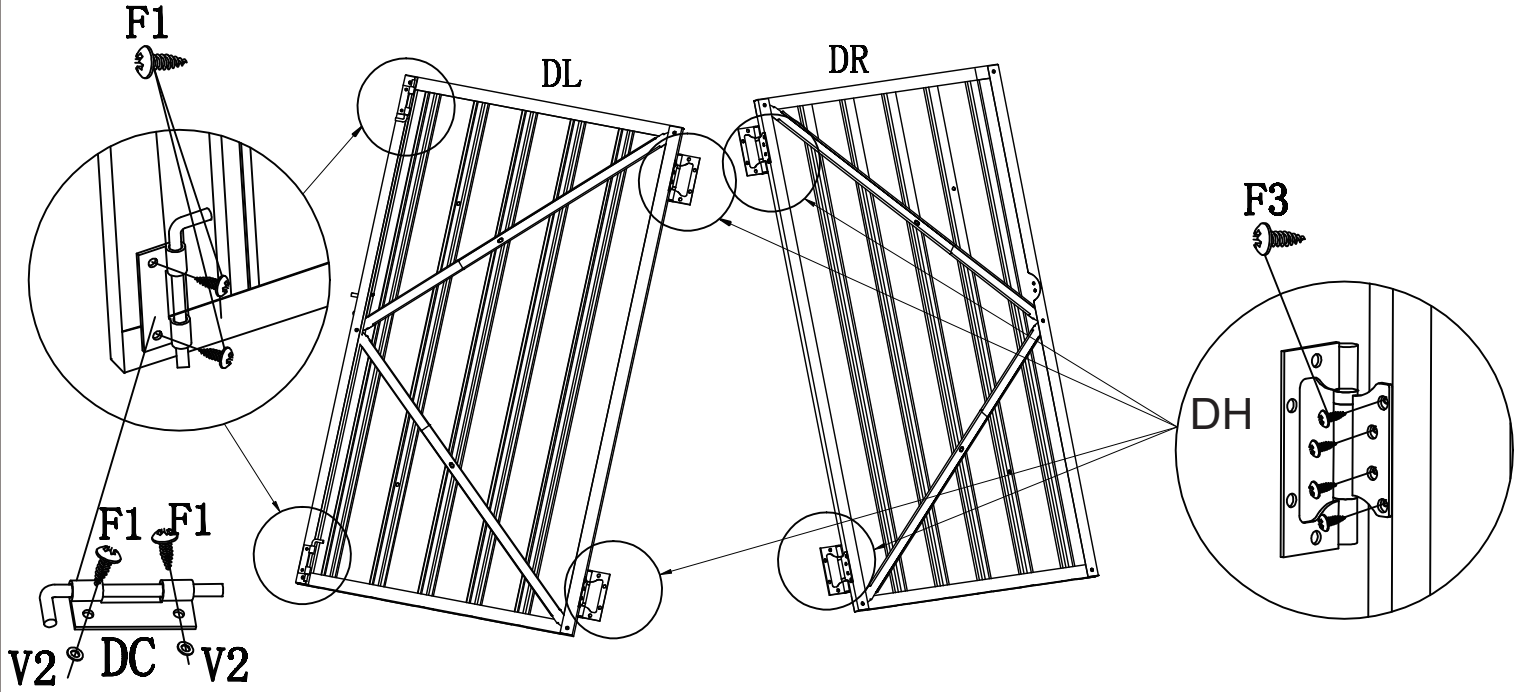
PART	NO.	QTY.
	L35-DA	1
	L35-DRA	1
	DDA	2
	L35-DBA	2
	F1	9
	F2	2


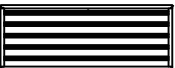
Please follow the steps of ①-②-③-④




The final fixation should be done after all parts are aligned

PART	NO.	QTY.
	DH	4
	DC	2
	F3	16
	DE	1

PART	NO.	QTY.
	F1	8
	V2	4
	F2	2



PART	NO.	QTY.
	DL	1
	DR	1

PART	NO.	QTY.
	F3	16
	DF	2
	SL	13

