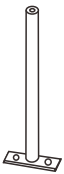
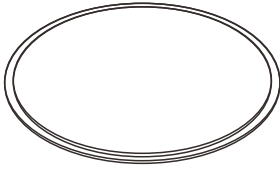
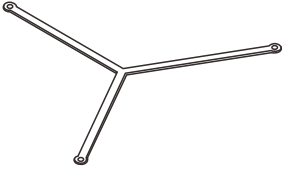







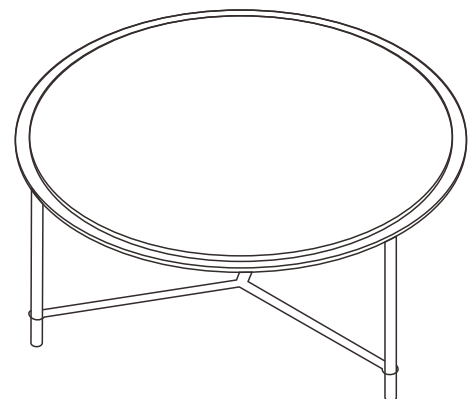
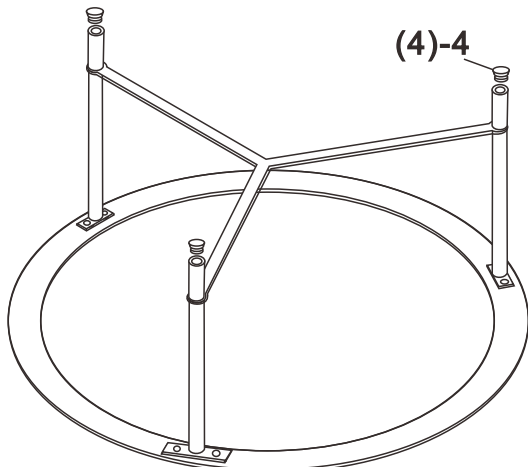
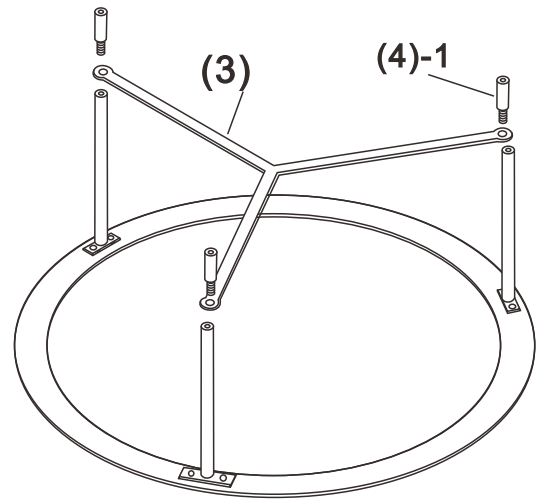
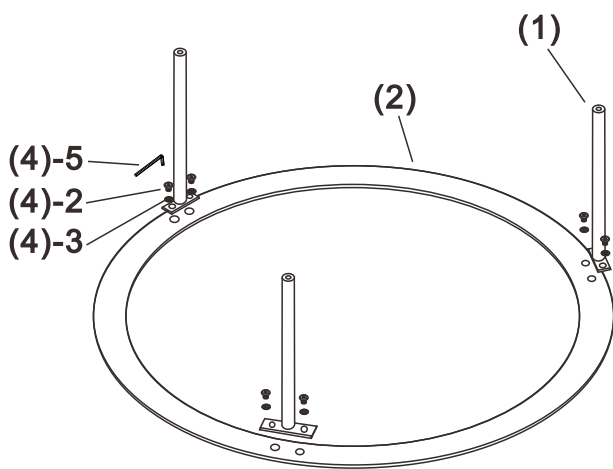
ITEM NAME / NOM D'ITEM : DAVIS COFFEE TABLE

PARTS LIST / Liste des pièces

(1)	(2)	(3)	(4)
			<ol style="list-style-type: none"> 1.  X3 2.  X6 6*8 3.  X6 4.  X3 5.  X1 M6
X3	X1	X1	


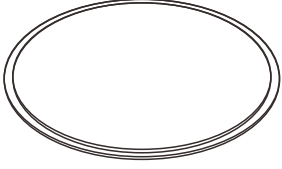
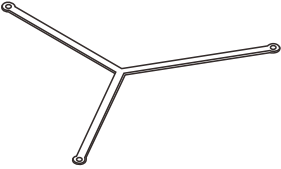




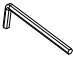




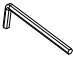




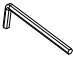
INSTRUCTIONS

A



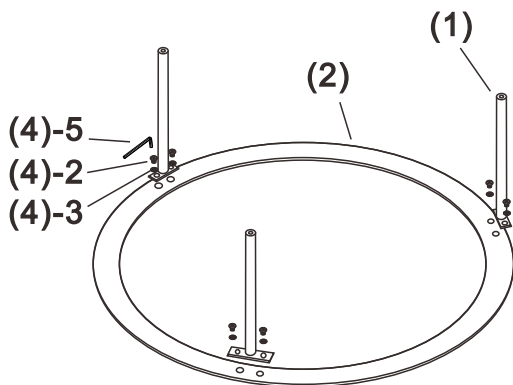
ITEM NAME / NOM D'ITEM : DAVIS SIDE TABLE

PARTS LIST / Liste des pièces

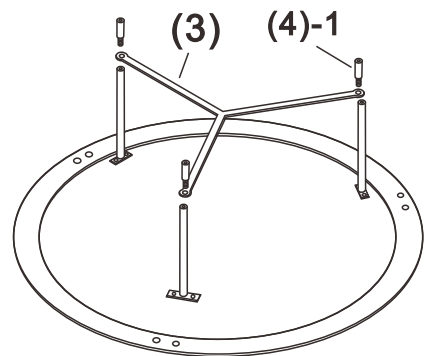
(1)	(2)	(3)	(4)															
 <p style="text-align: center;">X3</p>	 <p style="text-align: center;">X1</p>	 <p style="text-align: center;">X1</p>	<table border="0"> <tr> <td>1.</td> <td></td> <td>X3</td> </tr> <tr> <td>2.</td> <td></td> <td>X6 6*8</td> </tr> <tr> <td>3.</td> <td></td> <td>X6</td> </tr> <tr> <td>4.</td> <td></td> <td>X3</td> </tr> <tr> <td>5.</td> <td></td> <td>X1 M6</td> </tr> </table>	1.		X3	2.		X6 6*8	3.		X6	4.		X3	5.		X1 M6
1.		X3																
2.		X6 6*8																
3.		X6																
4.		X3																
5.		X1 M6																

INSTRUCTIONS

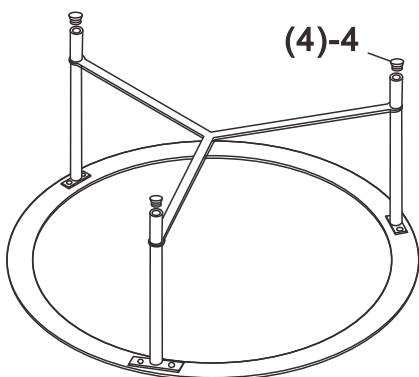
A



B



C



D

