

# LIGHTING

**PLEASE READ AND SAVE FOR FUTURE REFERENCE.**

## **CAUTION**

1. Turn off the main power at the circuit breaker before installing the fixture in order to prevent possible shock.
2. All electrical connections must be in accordance with local and National Electrical Code (N.E.C.) standards. If you are unfamiliar with proper electrical wiring connections, obtain the services of a qualified electrician.

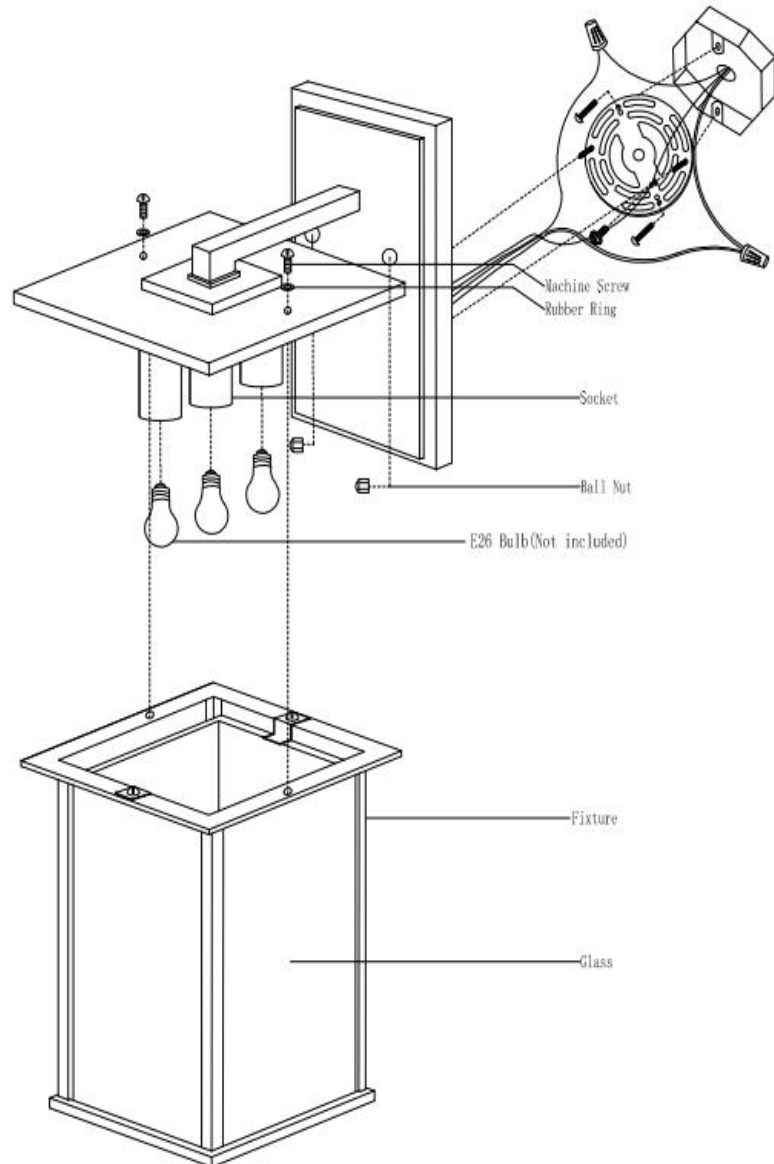
## **GENERAL**

Remove all parts and hardware from the box and make sure that none are missing by referencing the illustrations provided.

### **Bulbs Required (not included):**

**3\*60 Watt Max.  
3\*60 Watt Max.**

- 1) Install the Backplate with Screws as shown.
- 2) Fix the Fixture on the Top and secure with machine screws as shown.
- 3) Screw on three E26 Bulbs (not included) into Sockets.



## **Lighting Limited Warranty**

We warrant all our Products to be free from defects in material and workmanship, subject to certain conditions and exclusions, for period of one year from the date the Product was shipped to the original end use purchaser. We will warranty our product only if it is sold through an authorized dealer. we will, at our discretion, repair, replace or make appropriate adjustment where inspection discloses any defects occurring in normal usage within the applicable time period above, subject to the following conditions and exclusions.

The following costs, expenses and damages are not covered by the provisions of this limited warranty: (1.) labor costs including, but not limited to, costs associated with the removal and reinstallation of Product; (2.) shipping and freight expenses required to return Product to us.

**CARE & CLEANING:** Initial care for finishes requires periodic cleaning with a soft cloth, dampened with water. A mild non-abrasive soap may be used along with a soft cloth and water if the fixture is very dirty. Particular care should be taken to avoid abrasive materials and strong cleaning agents as they will quickly destroy the protective coatings and subject the finish to oxidation and discoloration.