










Assembly Instructions

CAUTION: You must read these Assembly Instructions before you proceed.

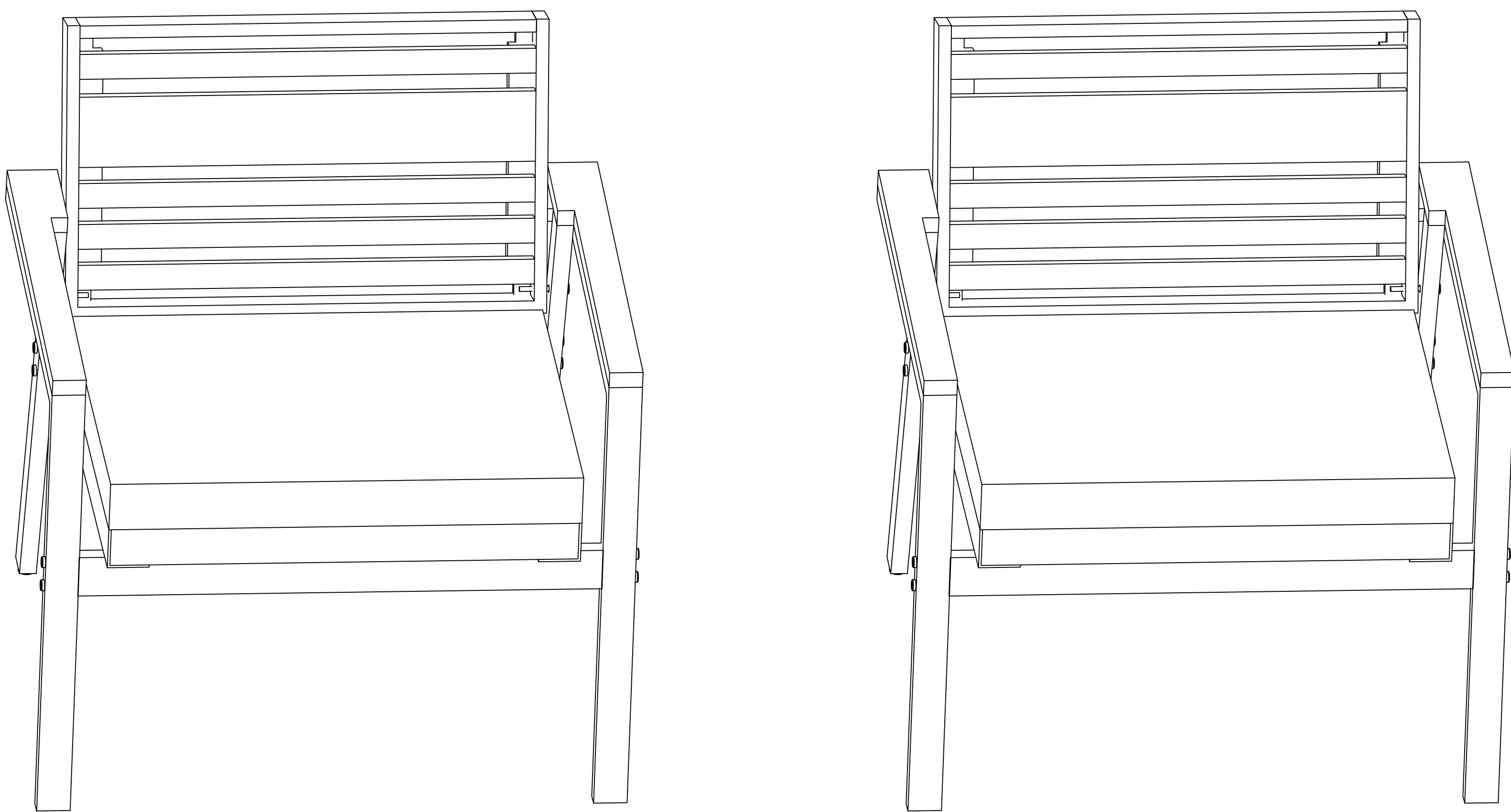
Care & Maintenance

- ⊘  ● Not for commercial use. For residential use only.
- ⊘  ● Do not put hot items directly on furniture surface.
- ⊘  ● Do not clean furniture with harsh cleansers or polish.
- ✓  ● To obtain the longest lifespan of your outdoor product minimizing exposure to direct sunlight is recommended.
- ⊘  ● Children should not climb or jump on the furniture.
- ⊘  ● Do not write on furniture without a padded barrier to protect the surface.
- ✓  ● To obtain the longest lifespan of your outdoor products, avoid extended and lengthy exposure to rain, snow, and direct sunshine. Whenever possible cover the product and /or place under patio or awnings.
- ⊘  ● Stains may be removed with mild soap solution and damp cloth.
- ✓  ● Dust and pick-up spills using a clean, non-colored, lint-free cloth.

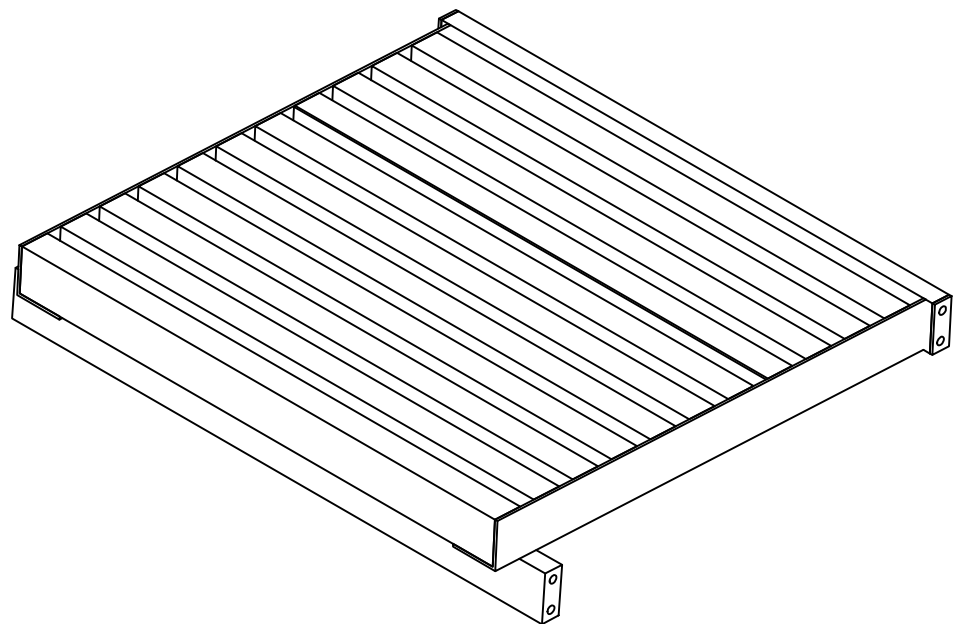
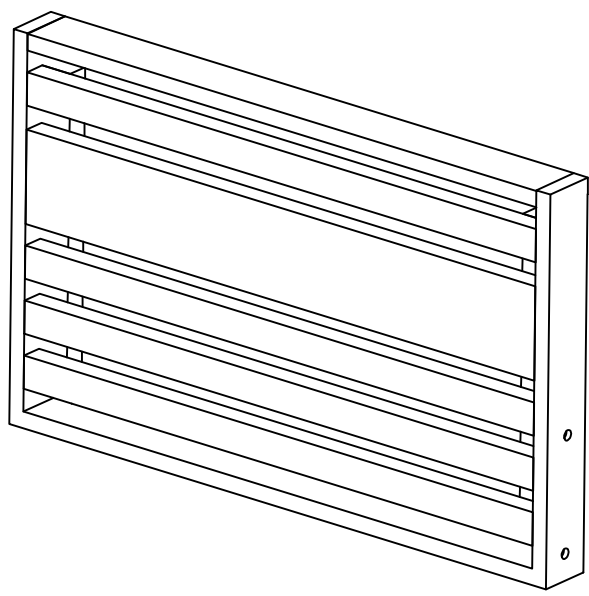
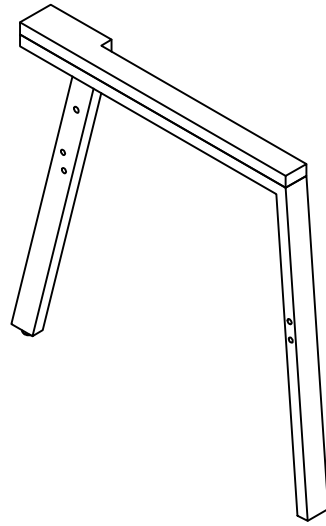
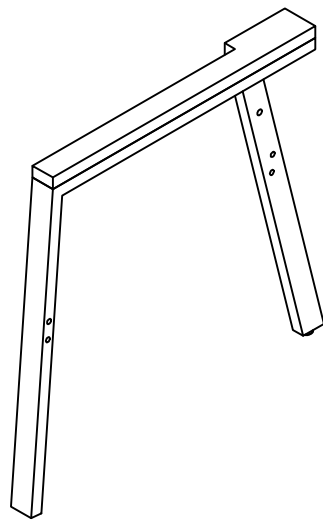
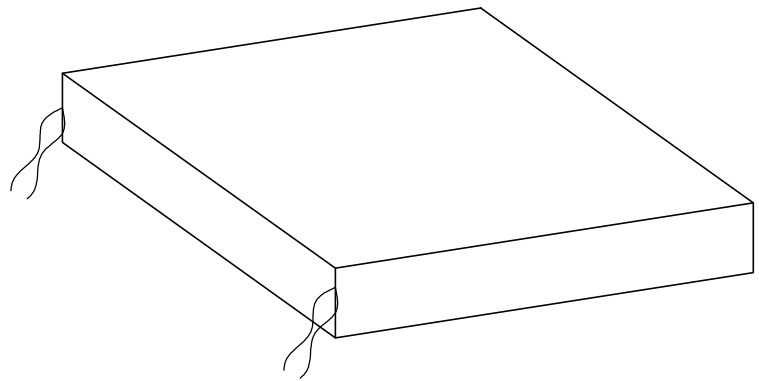
Assembly Instructions

Please look in the Seat
Panel for hardware packs.

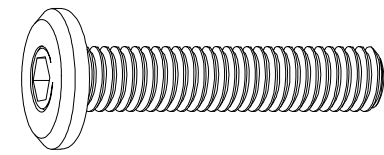
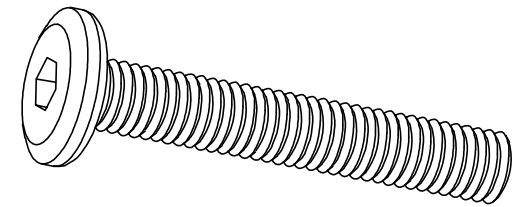
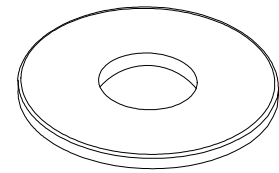

SKU: N704P443569



Part List:

A		chair seat panel	2
B		Chair Backrest	2
C		chair Left Leg	2
D		chair Right Leg	2
E		chair cushion	2

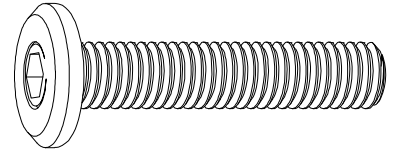
Hardware:

①		Bolt(M6x35mm)	12+1
②		Bolt(M6x55mm)	12+1
③		Washer Ø14*6.5	24+1
④		Allen Wrench	1

Assembly Preparation

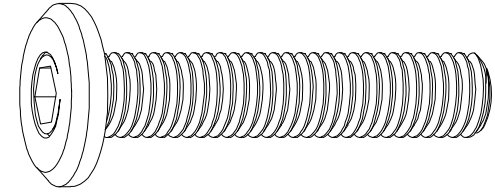
Before Beginning Assembly:

1



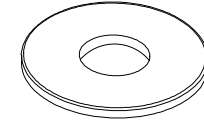
x13

2



x13

3



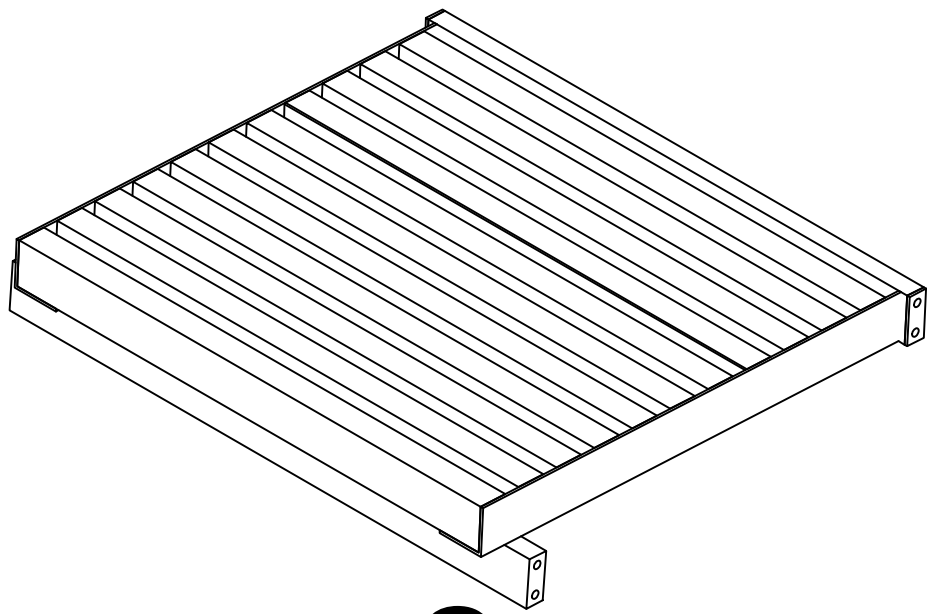
x25

4



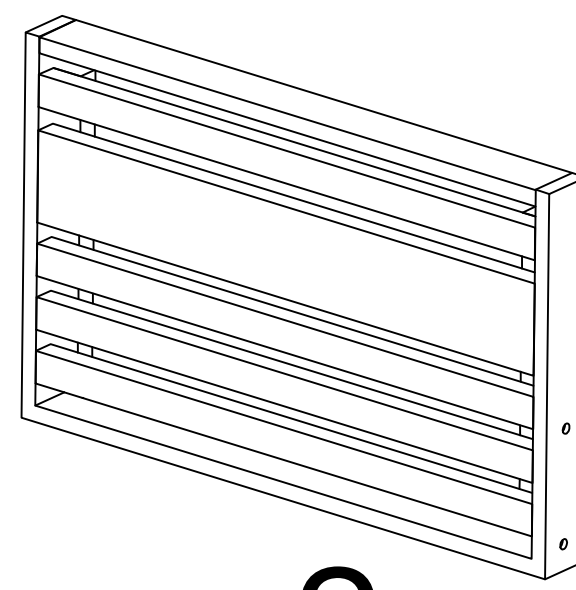
x1

A



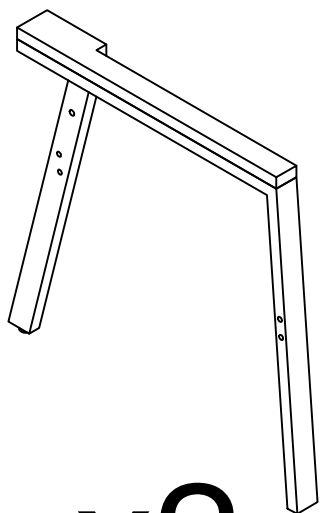
x2

B



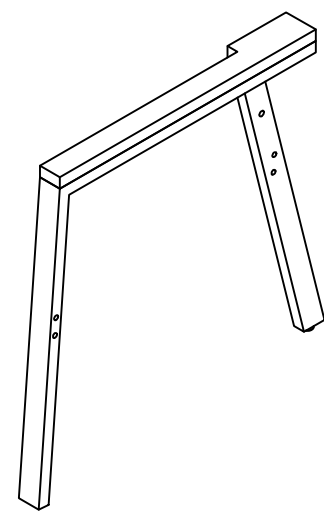
x2

C



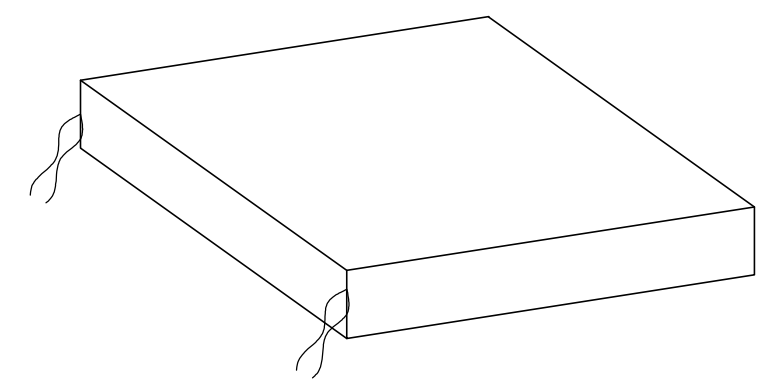
x2

D



x2

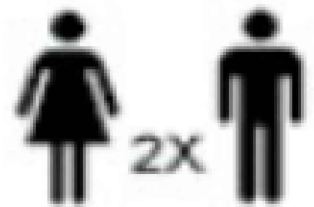
E



x2



- Read instructions, cover to cover-



- Have 2 adults on hand for assembly-



- Do not assemble on flooring or carpet-

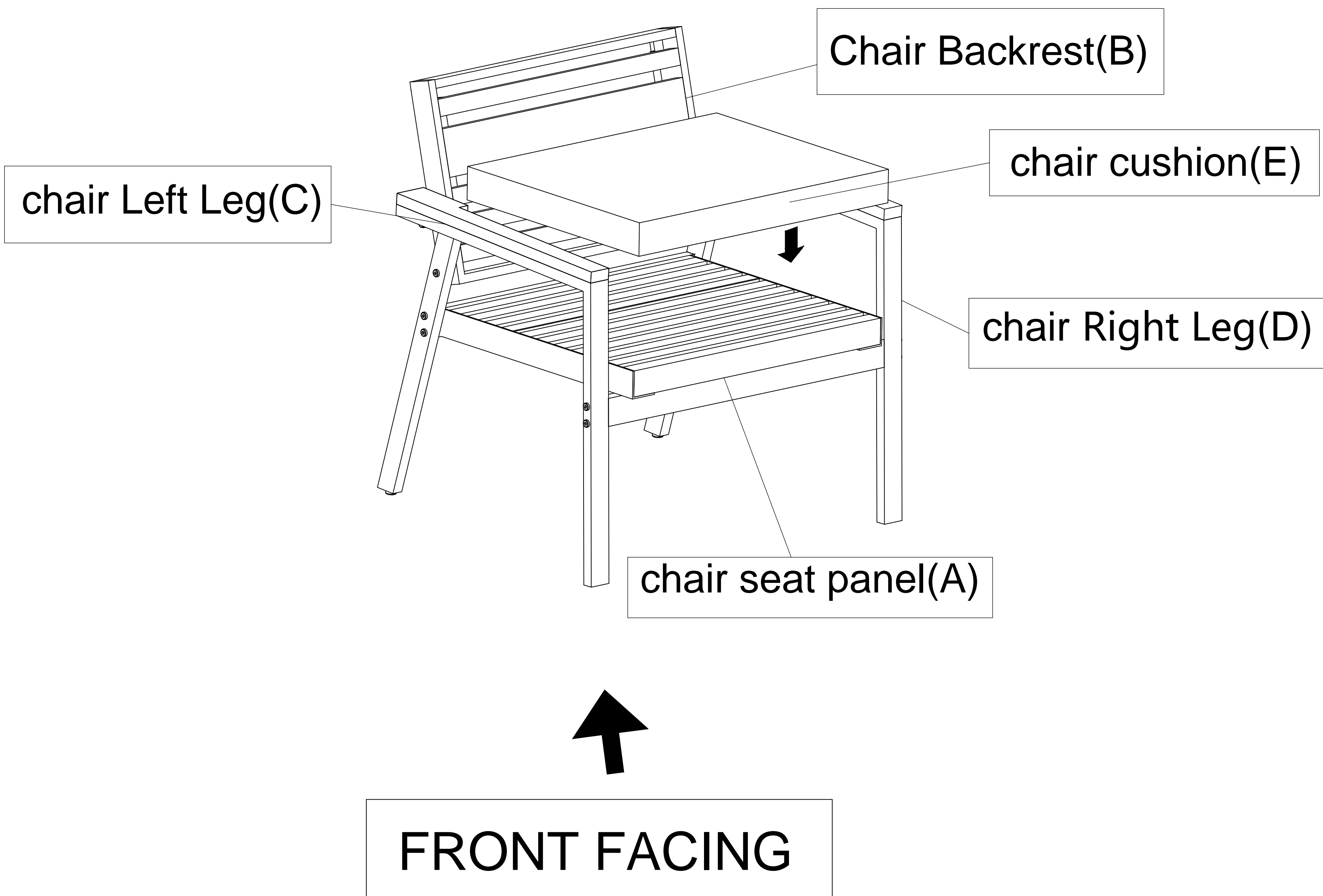


- Assemble on a clean non-marring surface (packing foam)-



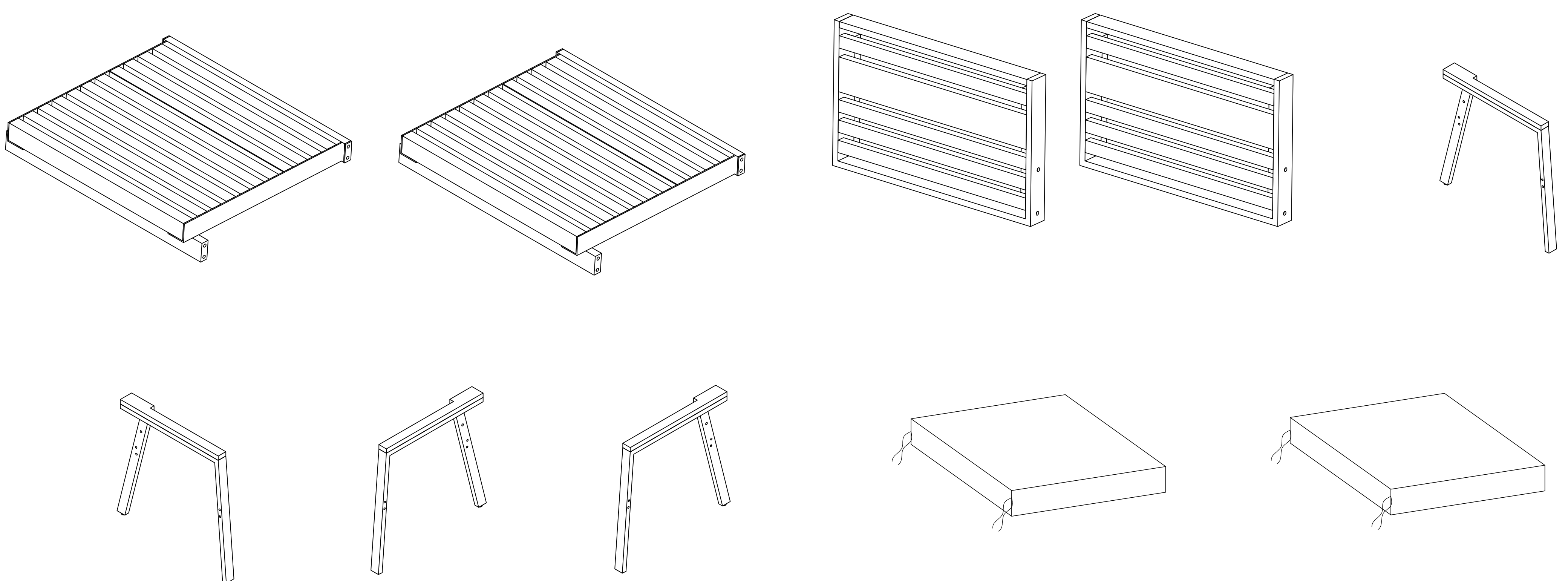
- Save all packaging until finished-

Assembly Steps:



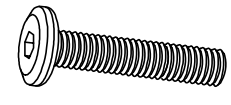
This chair has multiple parts and may require up to 10 minutes to assemble. To give you an overview of the chair parts, the above picture is to help you put the various parts into perspective. Please read through the instructions below to familiarise yourself with the parts and steps before assembly.

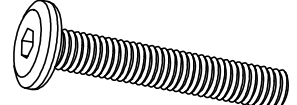
Step 1




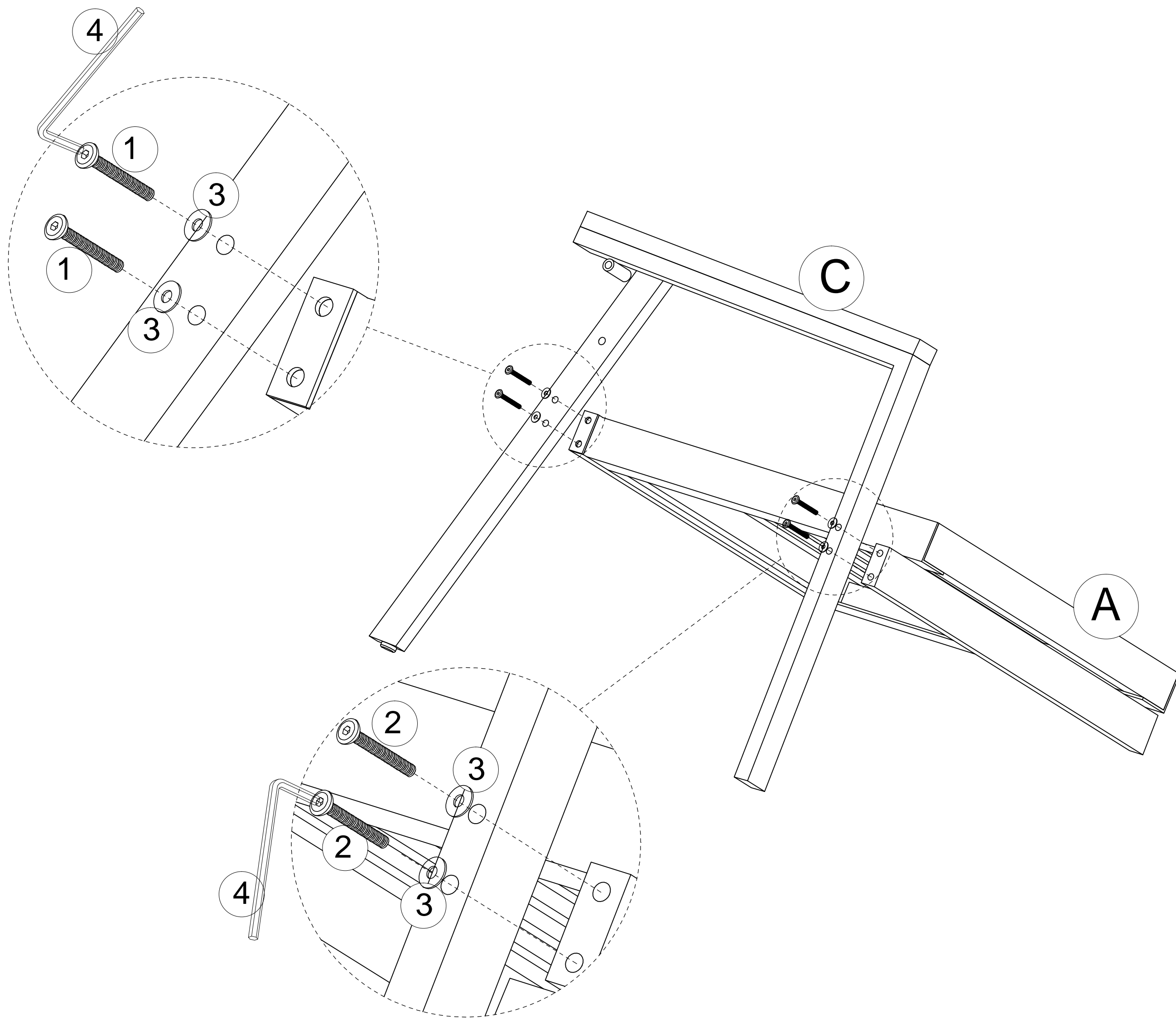
Unpack and place all parts on a clean, non-marring surface.

Step: 2 Following below illustration

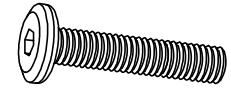

① M6X35X2PCS

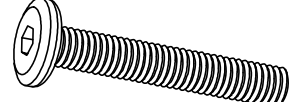

② M6X55X2PCS



③ x 4 pcs

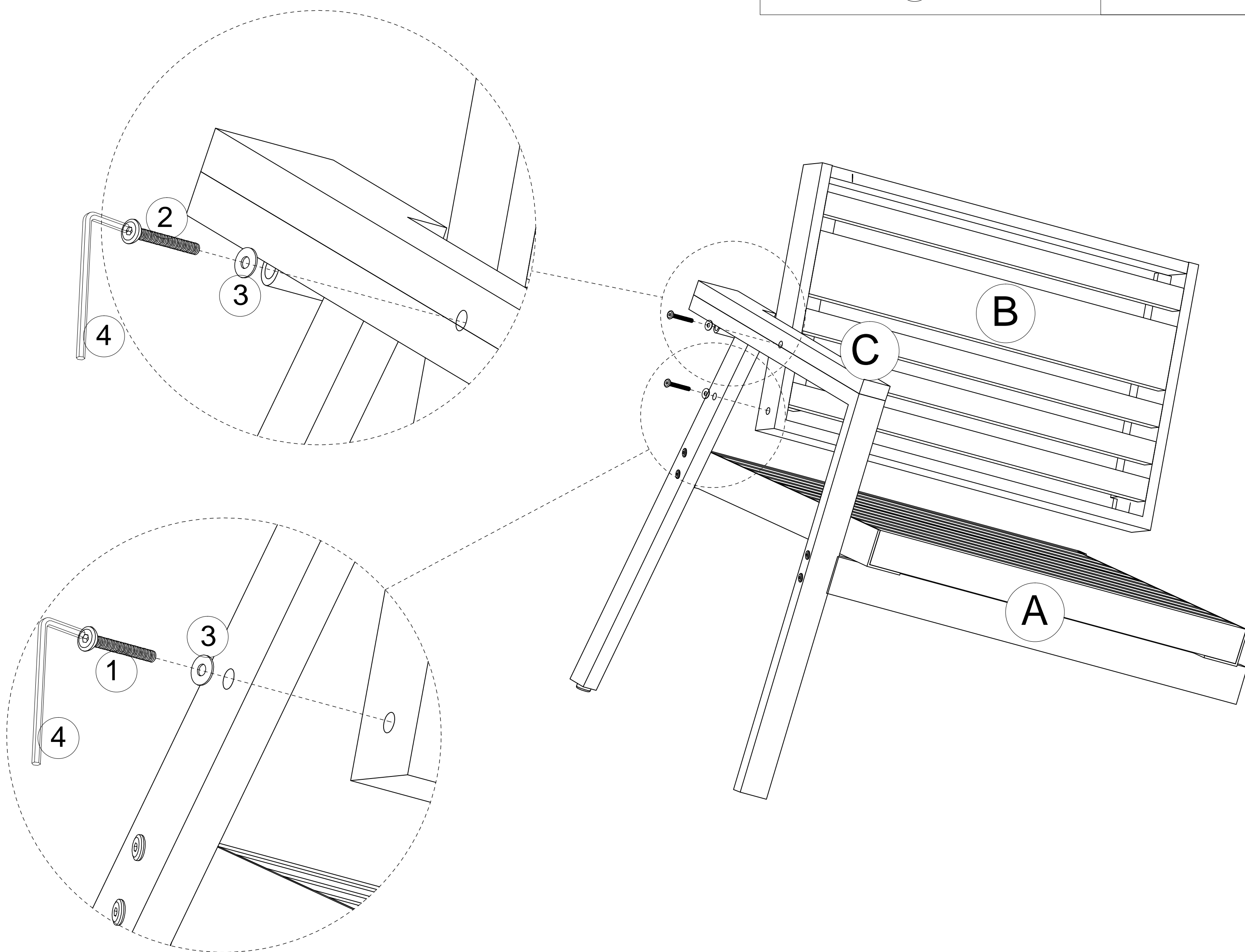


Step: 3 Following below illustration

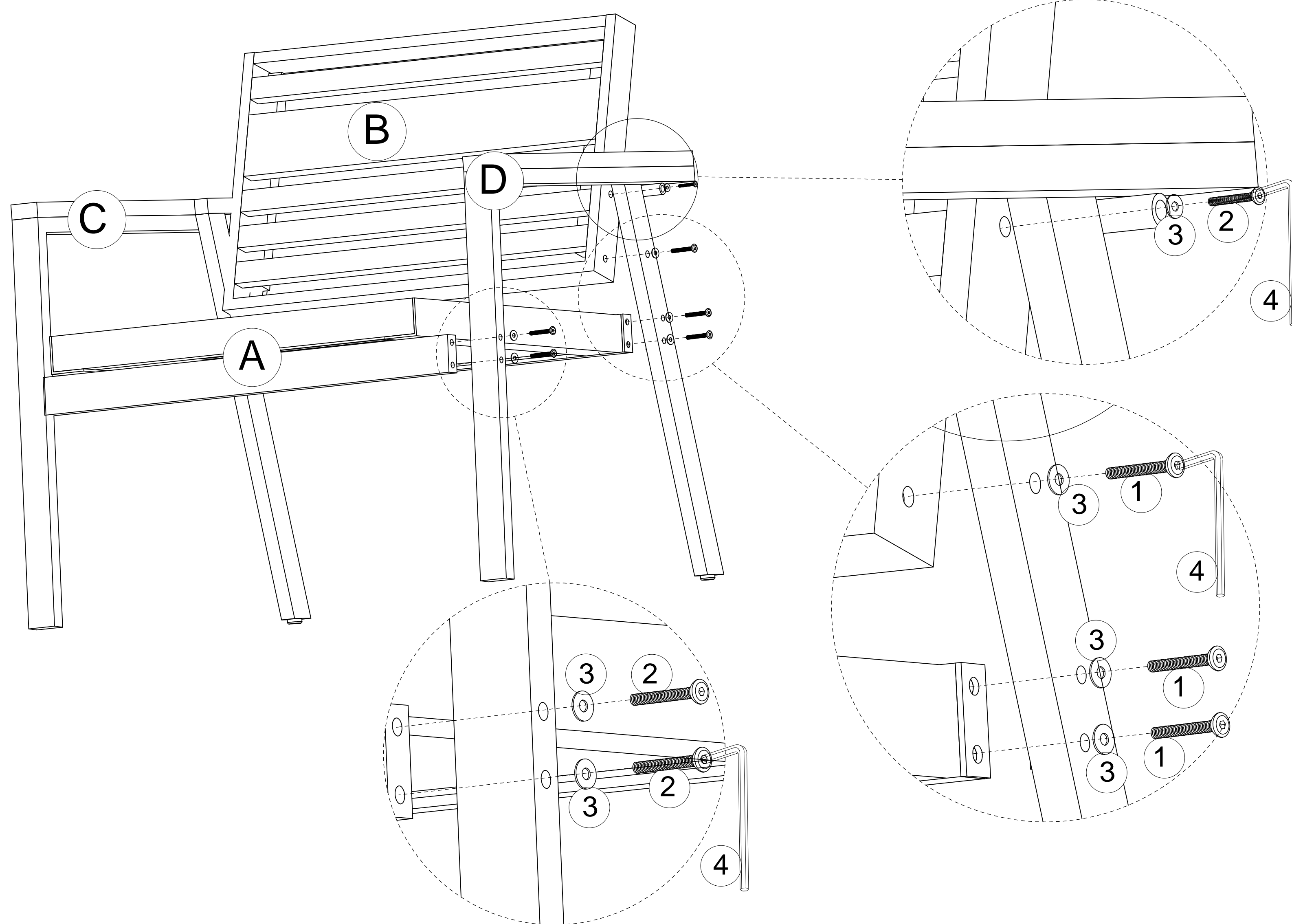

① M6X35X1PC


② M6X55X1PC

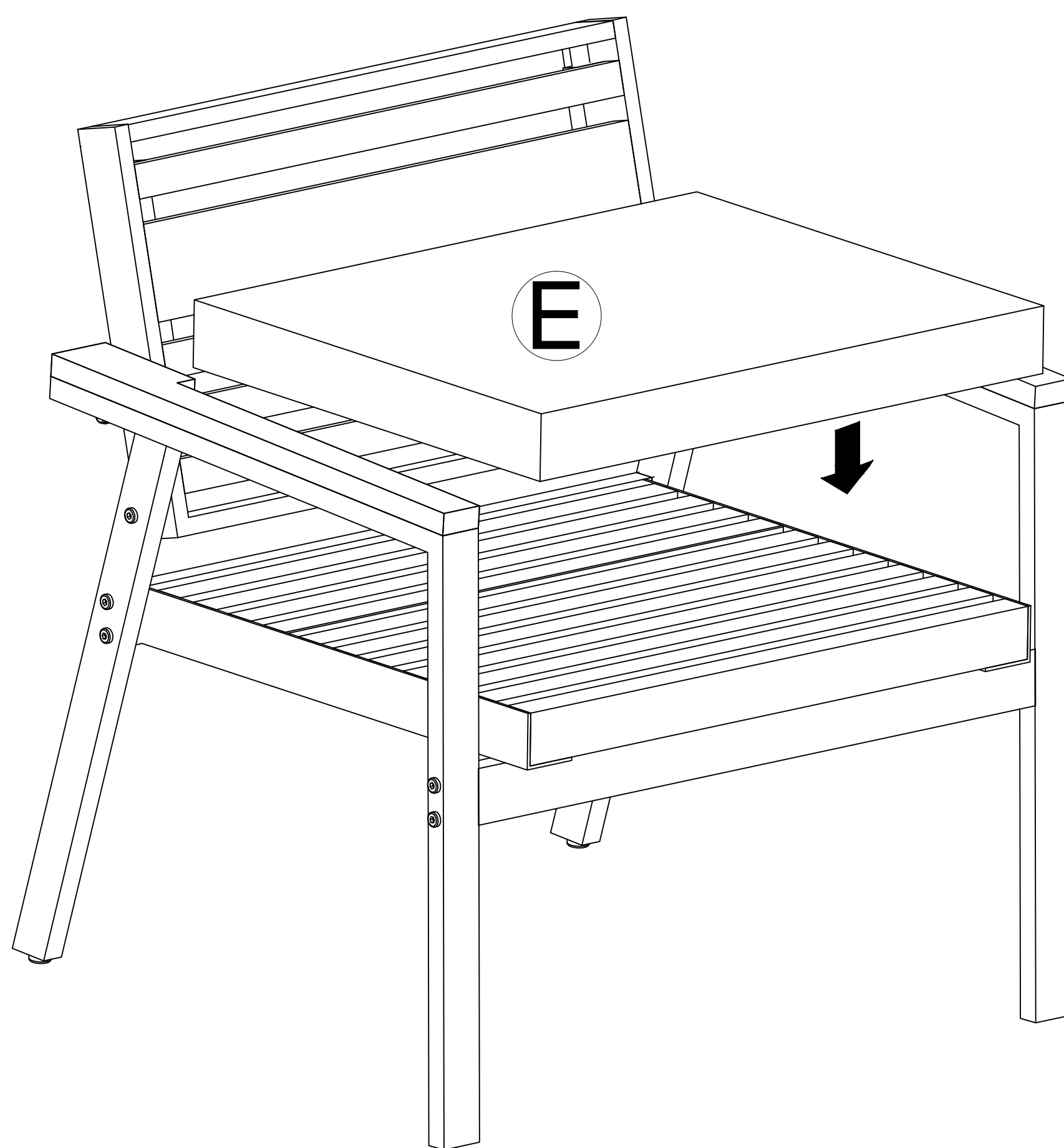

③ x 2 pcs



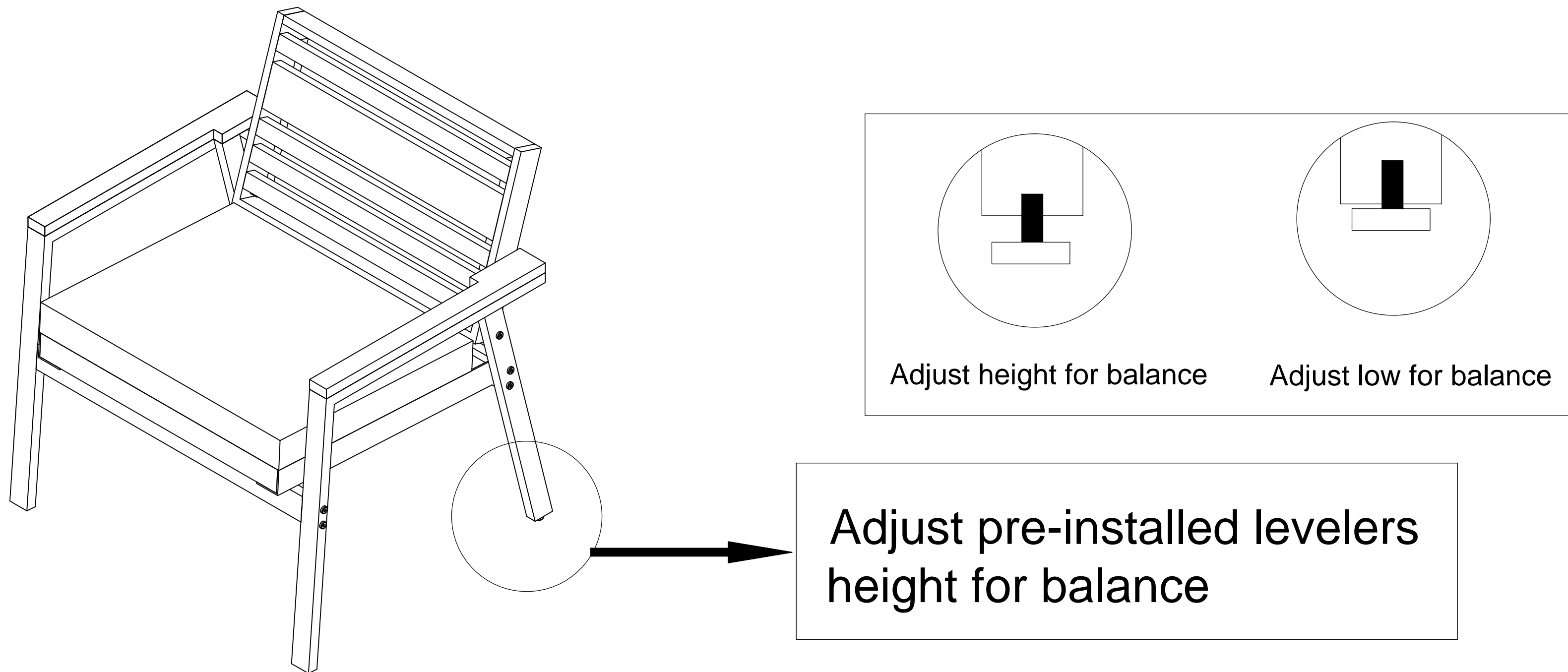
Step: 4 Following below illustration



Step: 5 Following below illustration



Step: 6 Following below illustration



Inspect it and make sure all parts are adequately connected.

Turn the Chair right side up.

Gently and gracefully, sit onto the Chair.

This will help to align all the parts at all joint areas.

Then get off the Chair and in a sequential manner, gradually tighten all Screws at all joints until evenly connected.

If there are still wobbles, loosen the Screws and execute this same process.

Place the Seat Cushion (H) by affix the Magic Tape Straps on the Seat Panel (G2) and then place the Back Cushions (I), Side Cushion (J) onto the Seat Cushion (H) as shown above.

Adjust Pre-installed Levelers height for balance as shown above.

WARNING!! IF CHAIR IS NOT STABLE, IT COULD LEAD TO DAMAGING THE PRODUCT.










Your Chair is ready for use.

This Chair can only be used on a flat, level surface.

Assembly Instructions

CAUTION: You must read these Assembly Instructions before you proceed.

Care & Maintenance

- ⊘  ● Not for commercial use. For residential use only.
- ⊘  ● Do not put hot items directly on furniture surface.
- ⊘  ● Do not clean furniture with harsh cleansers or polish.
- ✓  ● To obtain the longest lifespan of your outdoor product minimizing exposure to direct sunlight is recommended.
- ⊘  ● Children should not climb or jump on the furniture.
- ⊘  ● Do not write on furniture without a padded barrier to protect the surface.
- ✓  ● To obtain the longest lifespan of your outdoor products, avoid extended and lengthy exposure to rain, snow, and direct sunshine. Whenever possible cover the product and /or place under patio or awnings.
- ⊘  ● Stains may be removed with mild soap solution and damp cloth.
- ✓  ● Dust and pick-up spills using a clean, non-colored, lint-free cloth.

Assembly Instructions

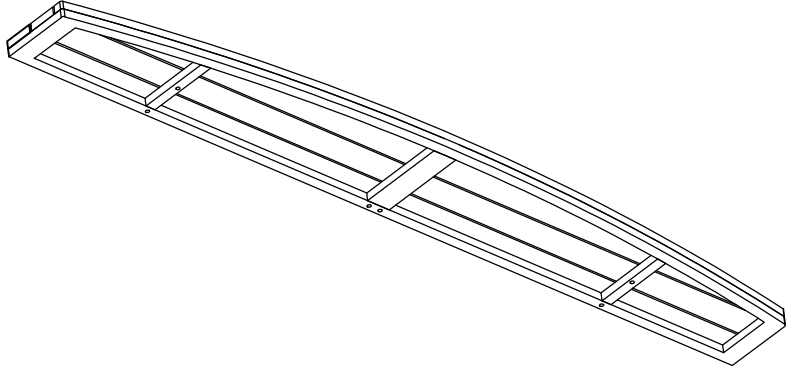
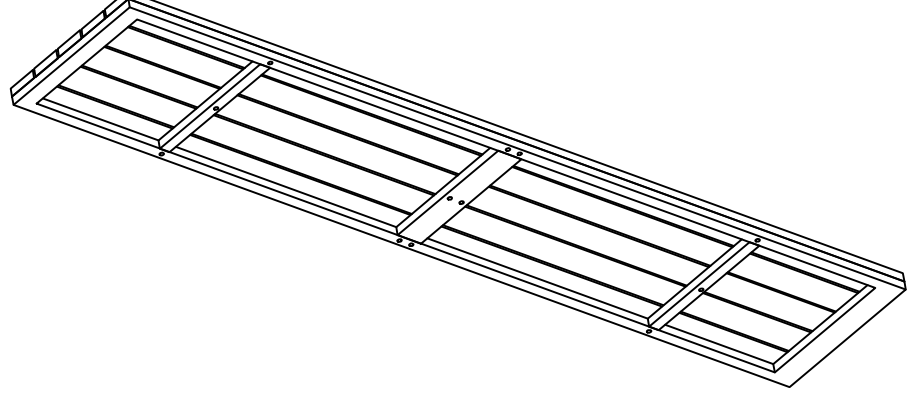
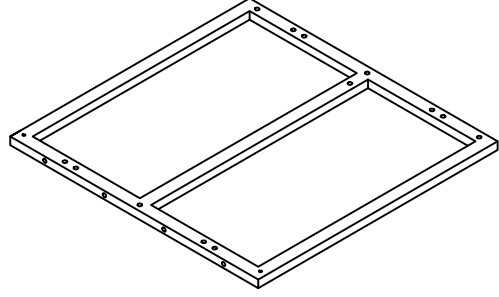
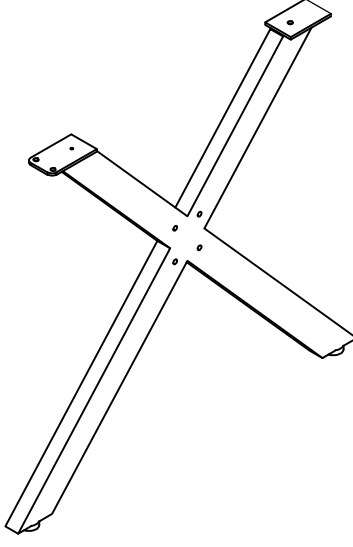
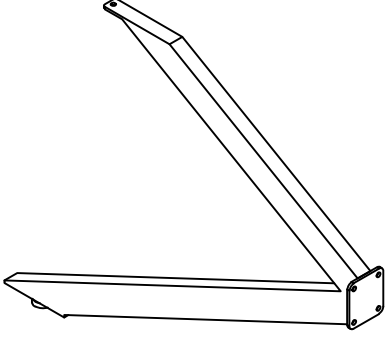
Please look in the Leg Frames for all hardware.

SKU: N704P443567
N704P443568

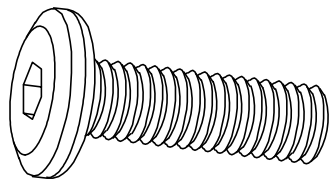
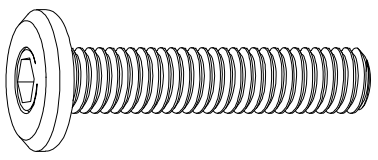
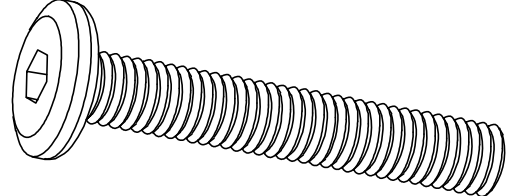
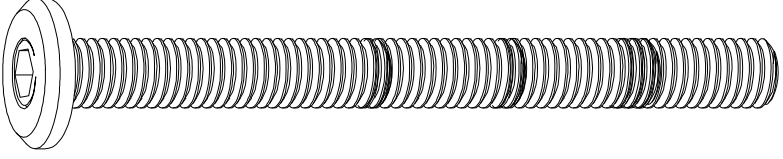
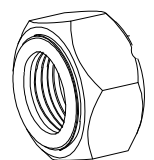
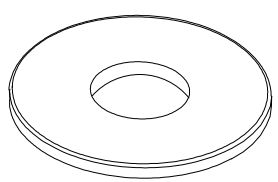
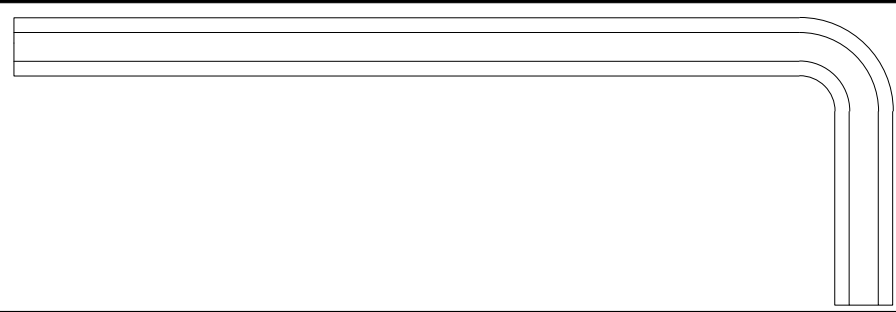
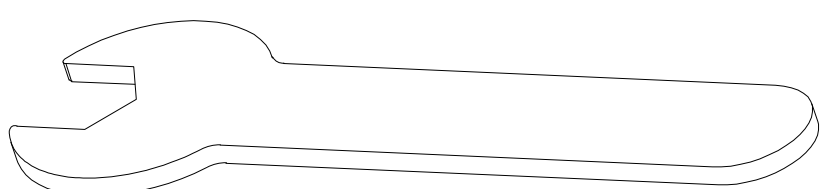


Keep your child / children at bay during the assembly process.
Whenever lifting or moving the Table and to prevent damage to the Table, two adult partners may be needed to execute these actions.

Part List:

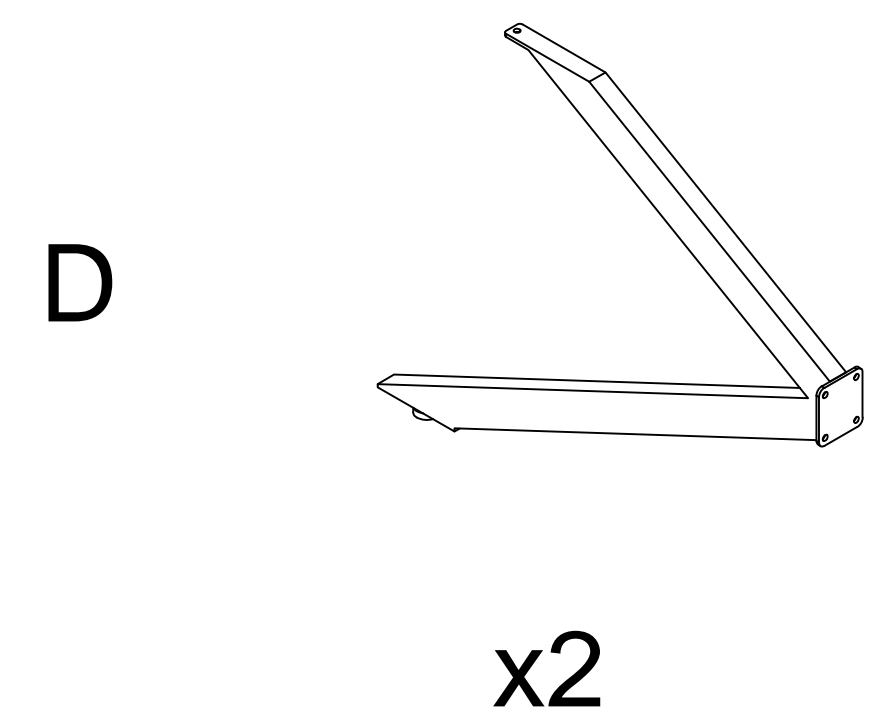
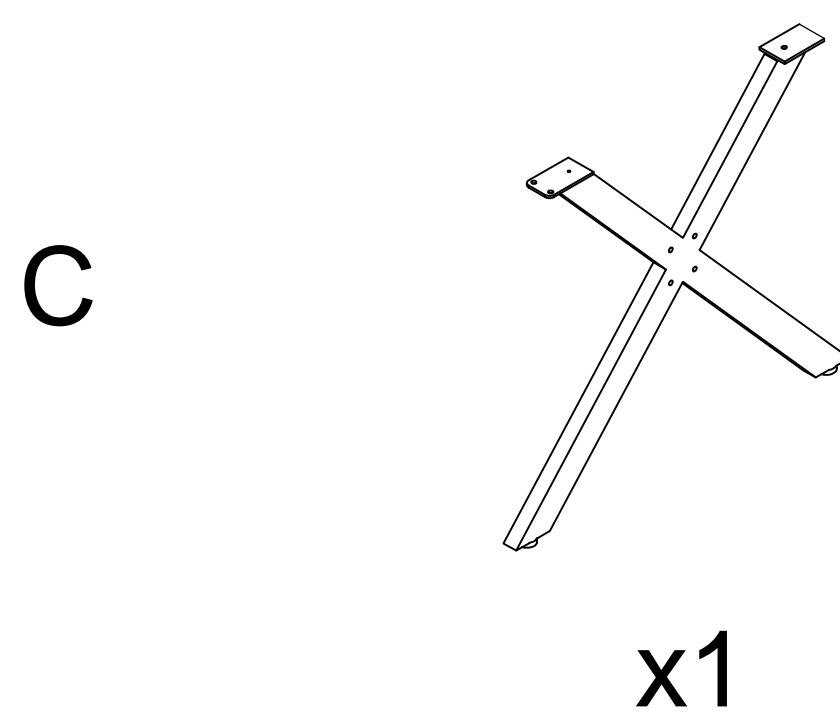
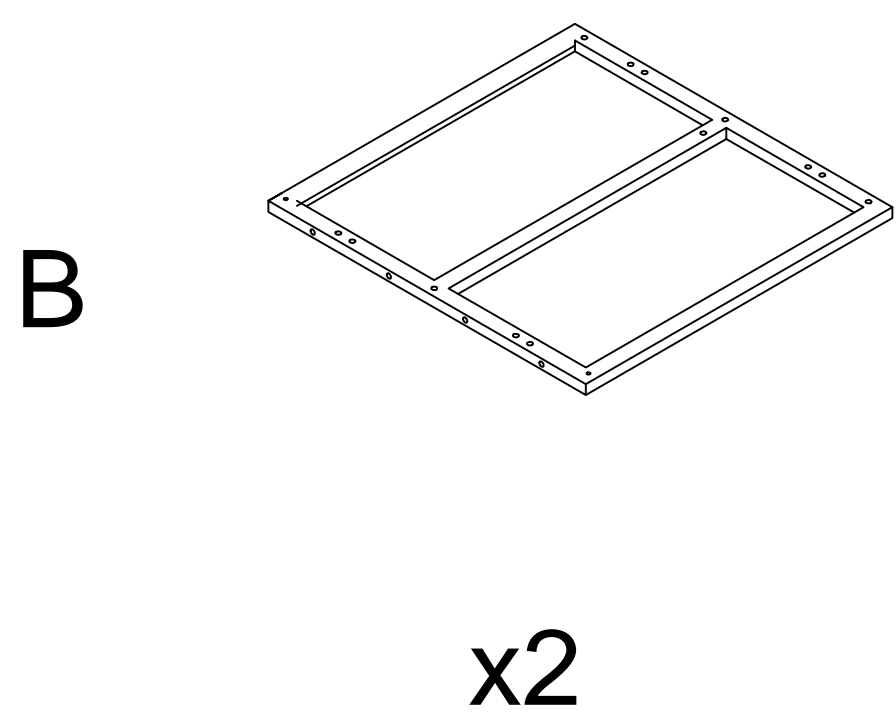
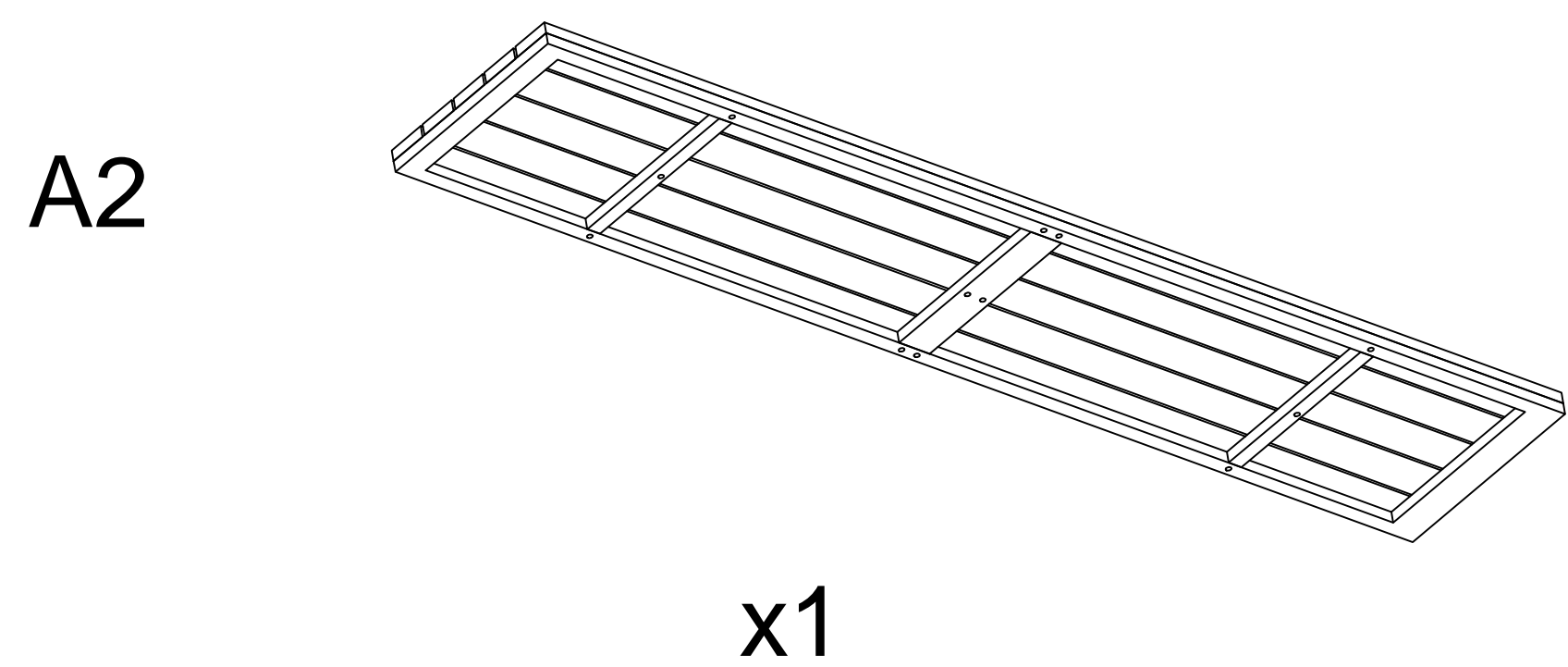
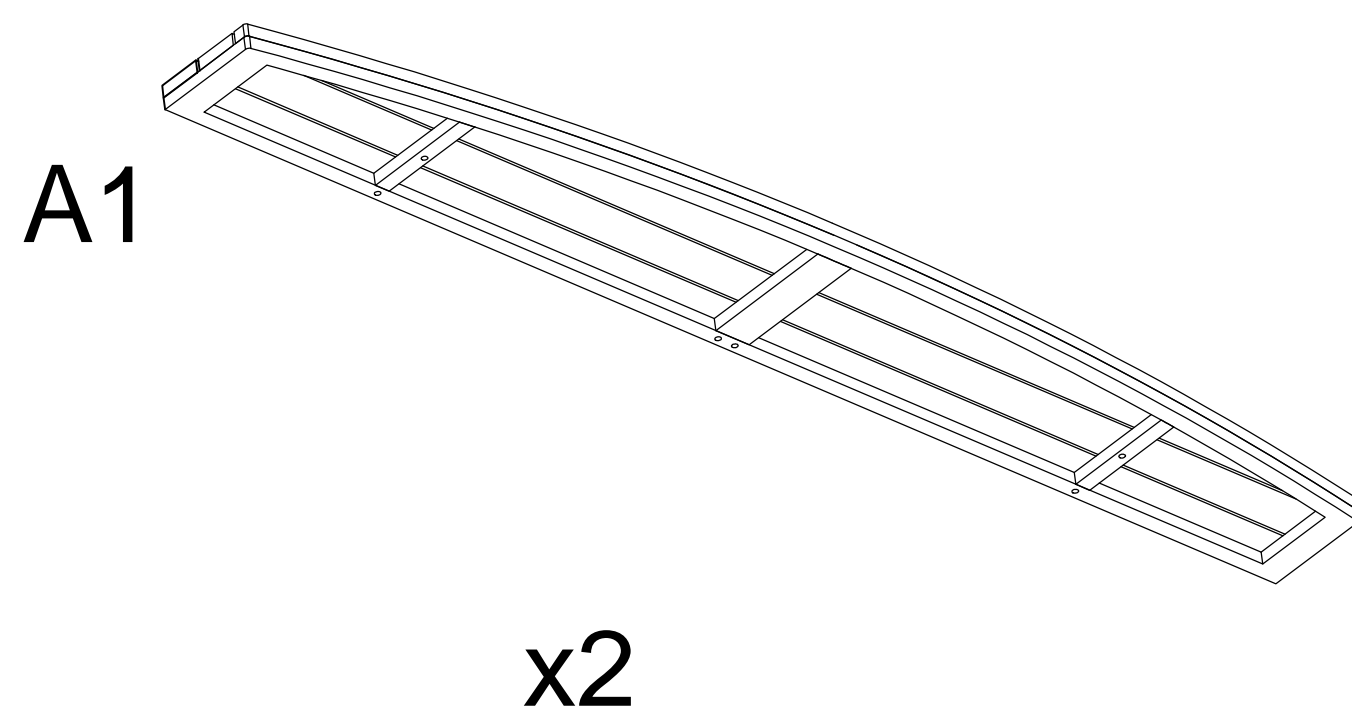
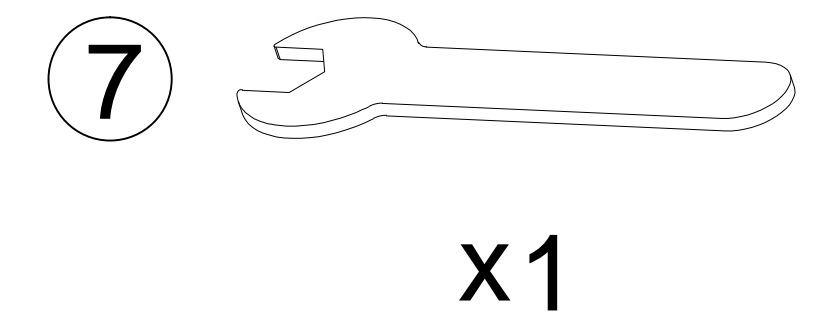
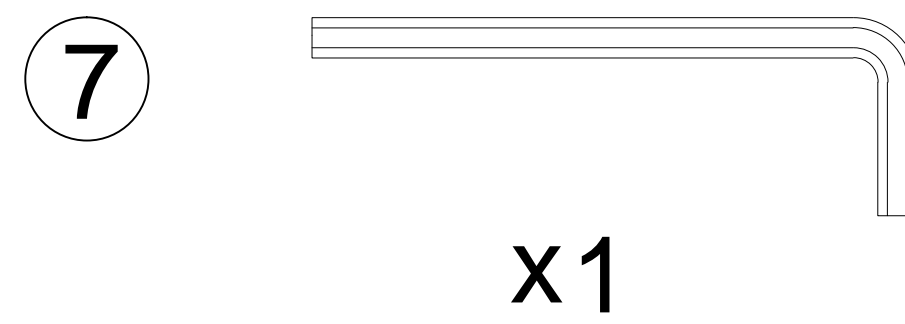
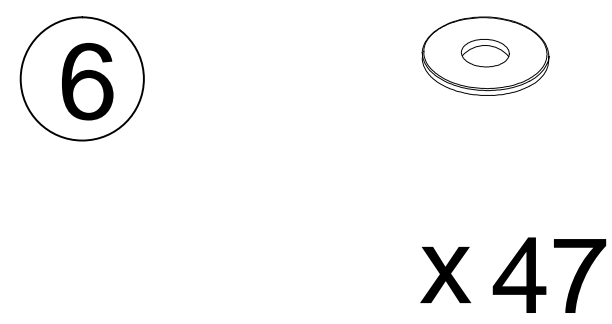
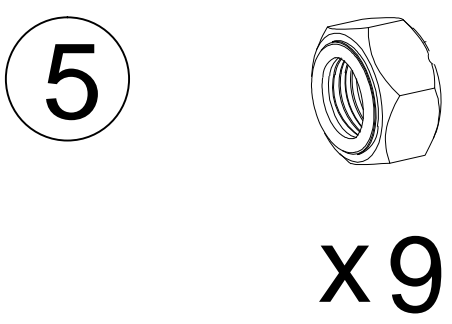
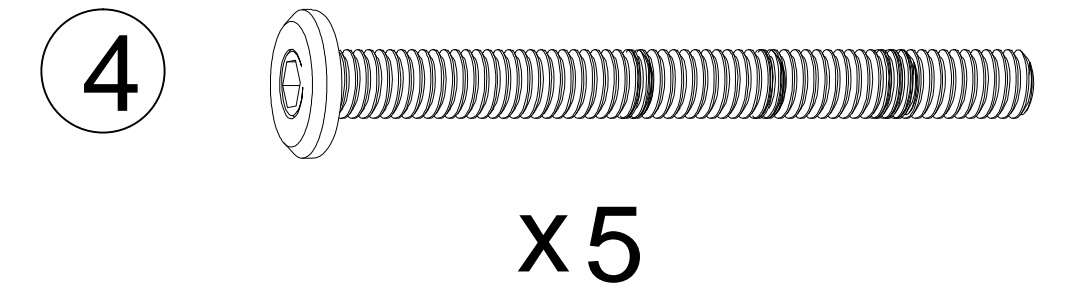
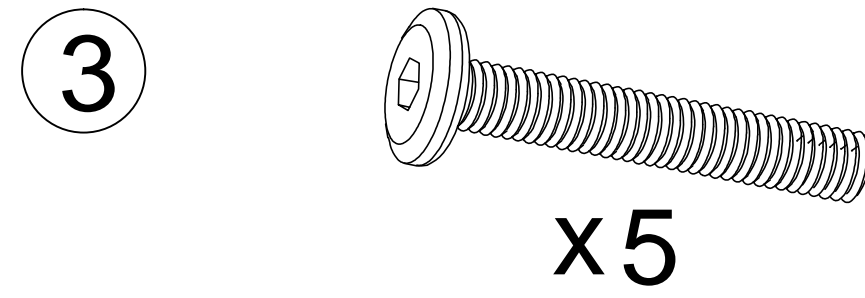
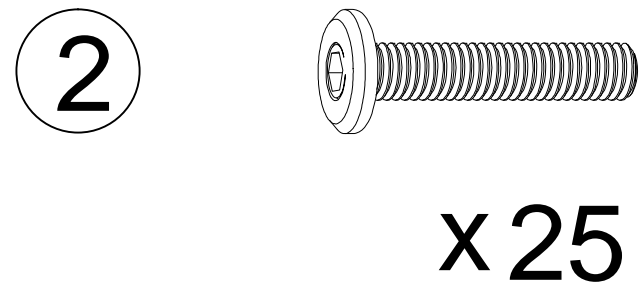
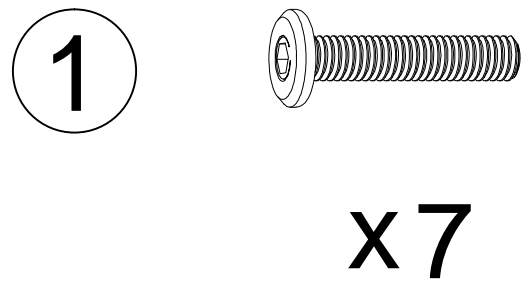
A1		tabletop wooden side panels	2
A2		tabletop central wooden board	1
B		table frame	2
C		front legs and back legs of the table	1
D		left and right legs of the table	2

Hardware:

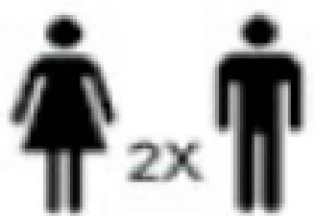
①		Bolt(M6x20mm)	6+1
②		Bolt(M6x35mm)	24+1
③		Bolt(M6x50mm)	4+1
④		Bolt(M6x70mm)	4+1
⑤		Nut	8+1
⑥		Washer Ø14*6.5	46+1
⑦		Allen Wrench	1
⑧		open wrench	1

Assembly Preparation

Before Beginning Assembly:



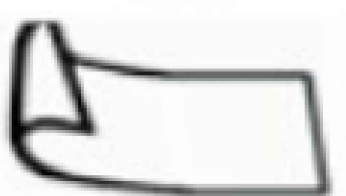
- Read instructions, cover to cover-



- Have 2 adults on hand for assembly-



- Do not assemble on flooring or carpet-

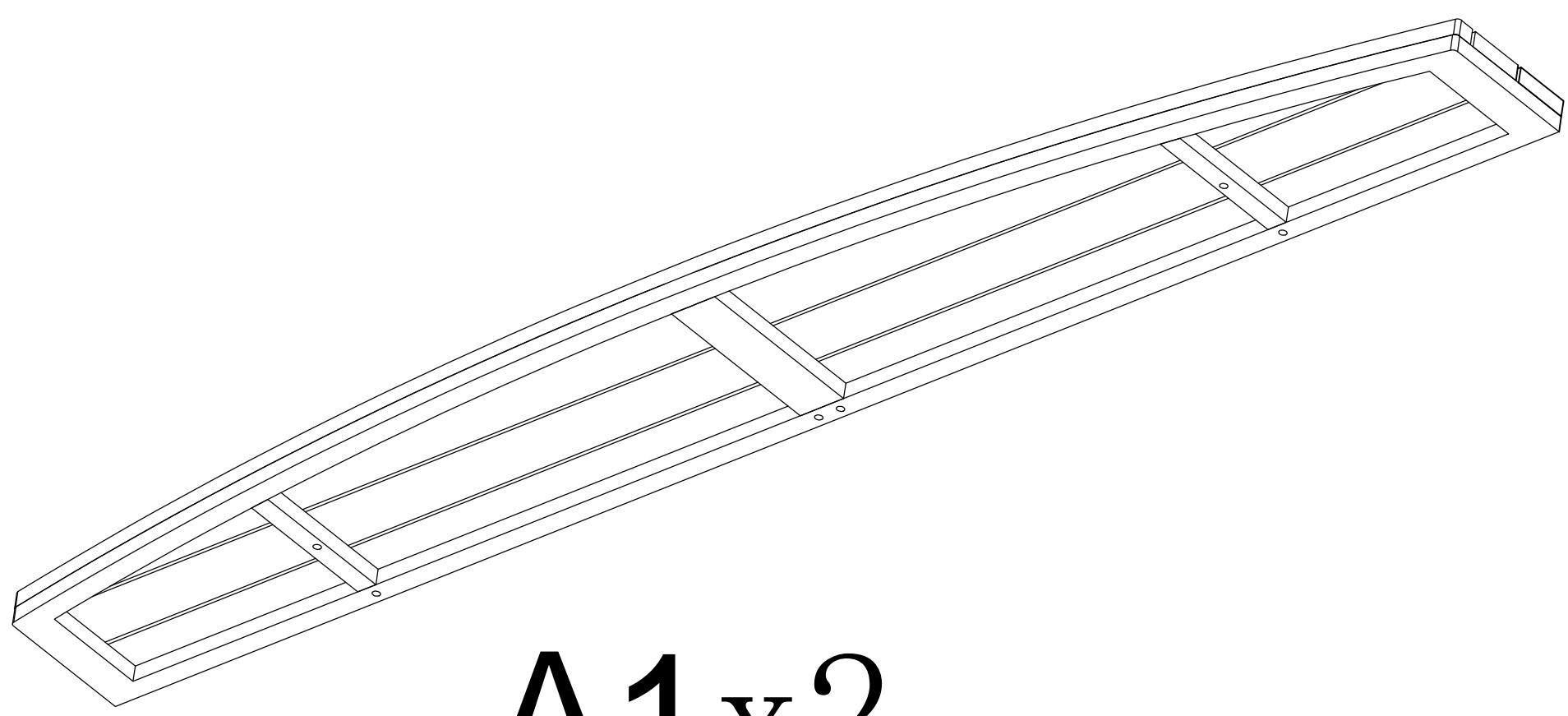


- Assemble on a clean non-marring surface (packing foam)-

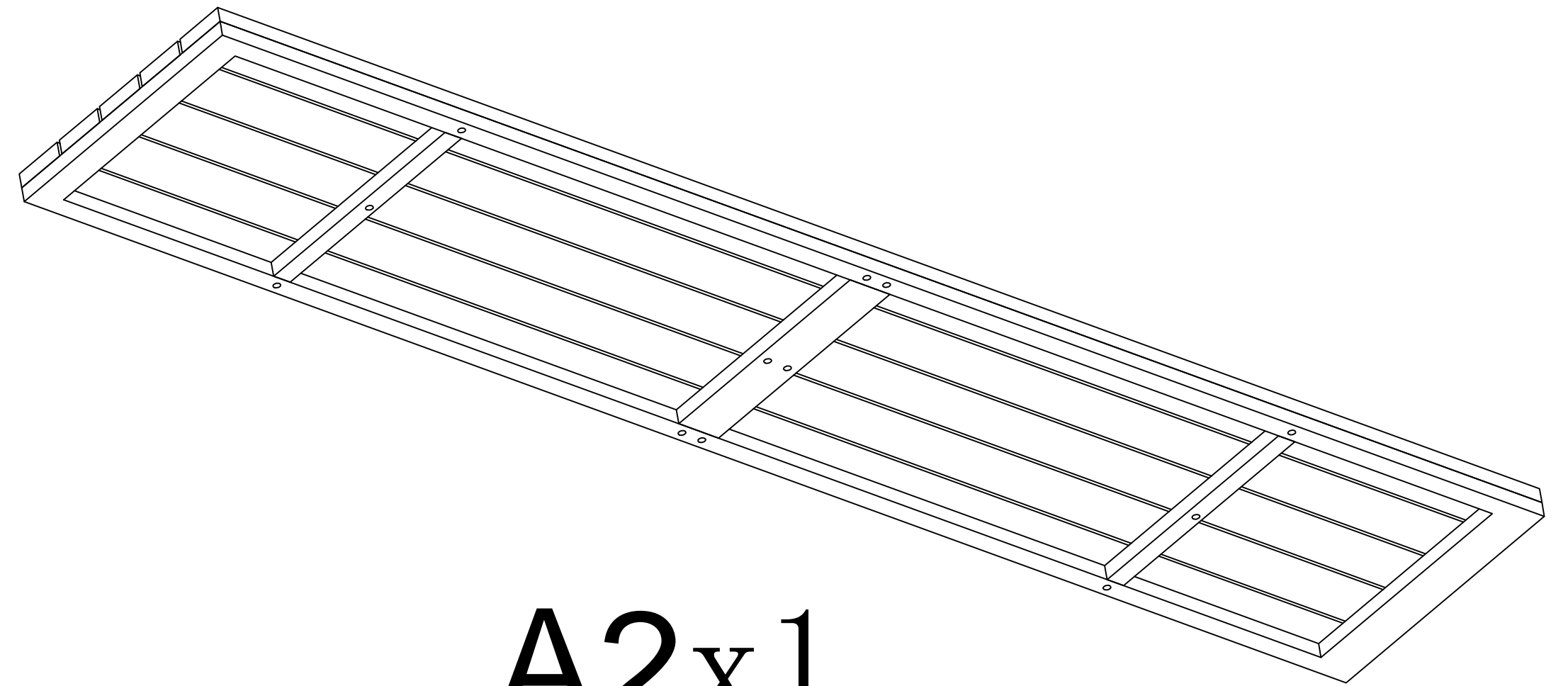


- Save all packaging until finished-

1: CARTON CONTENT
SKU CODE : (N704P443567)

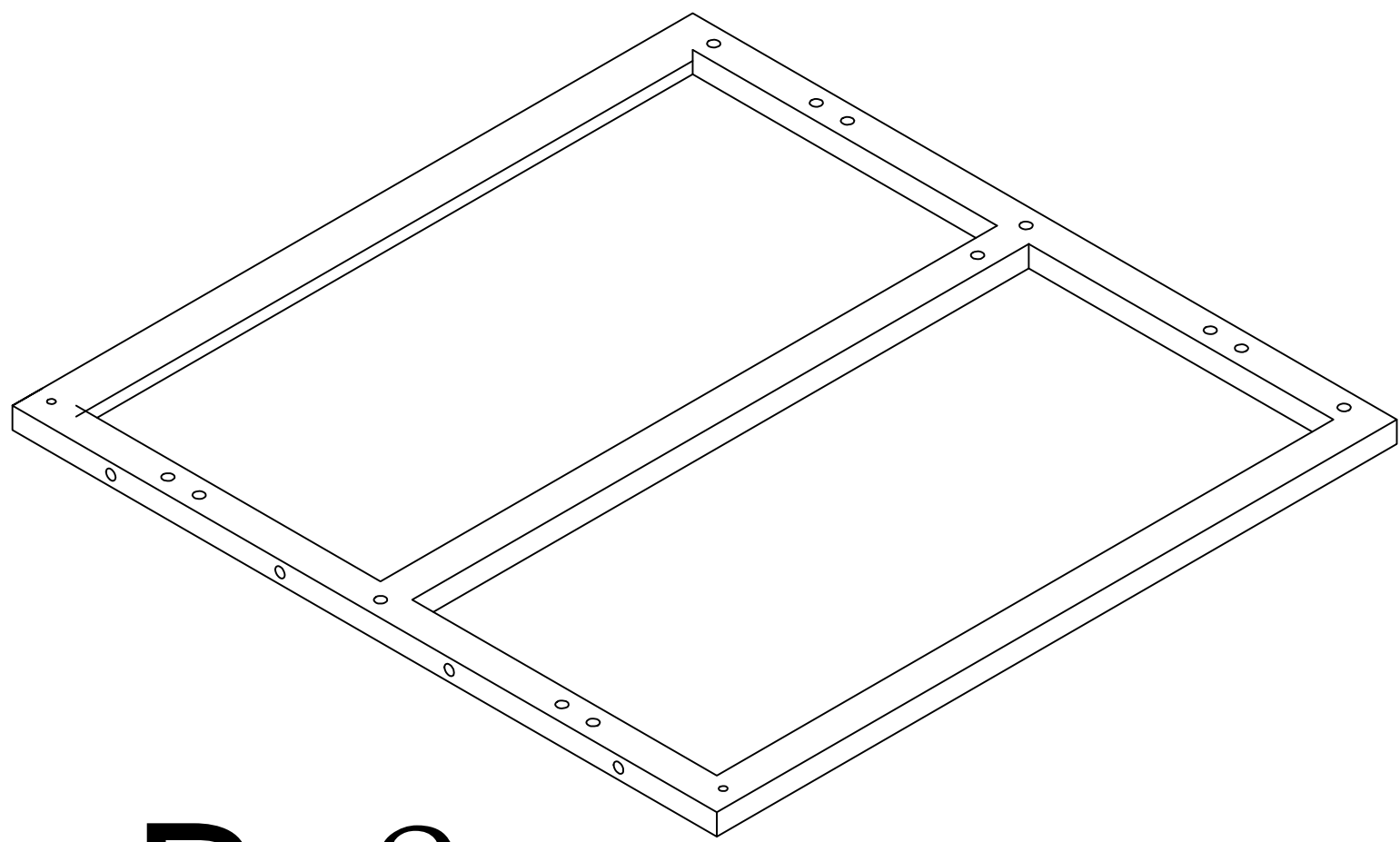


A1x2

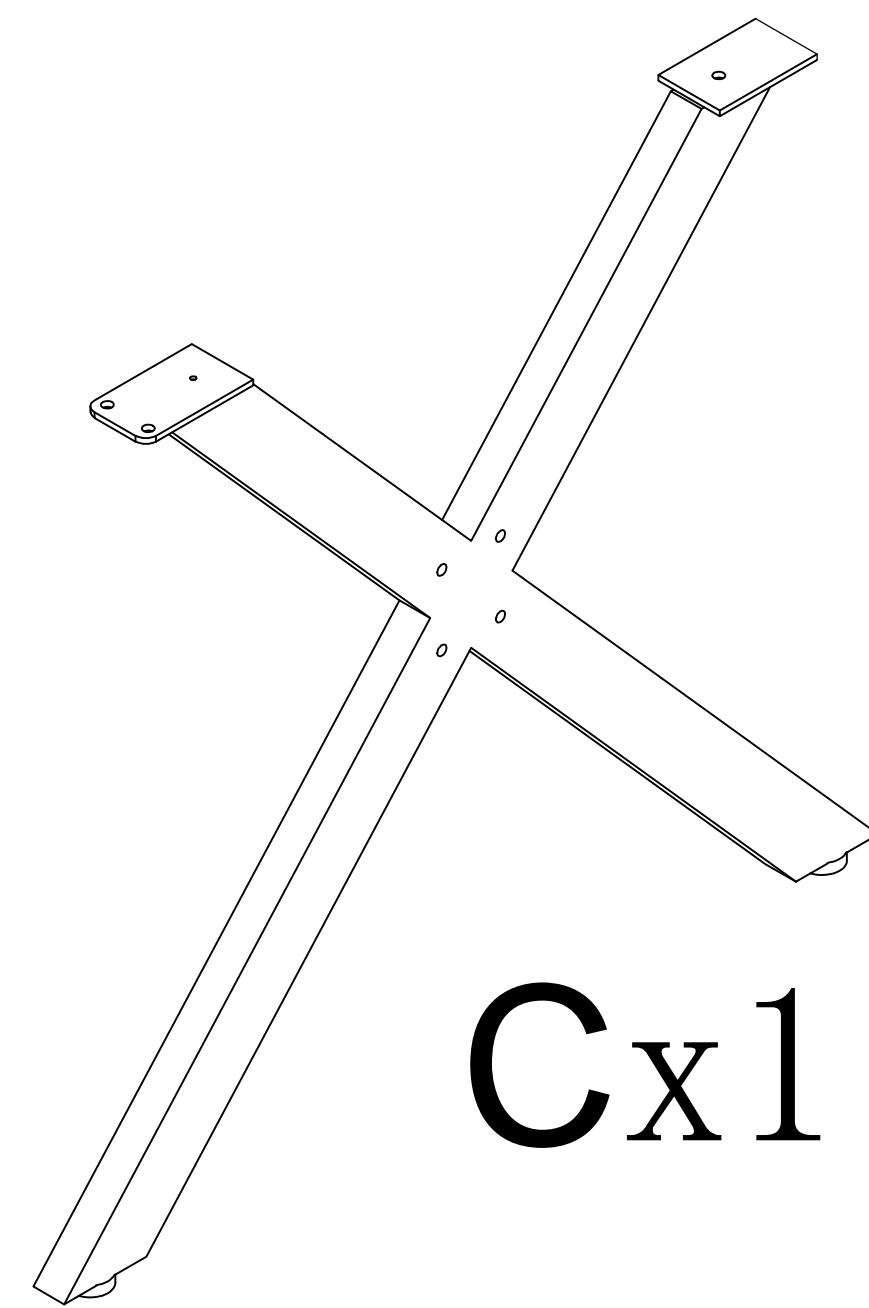


A2x1

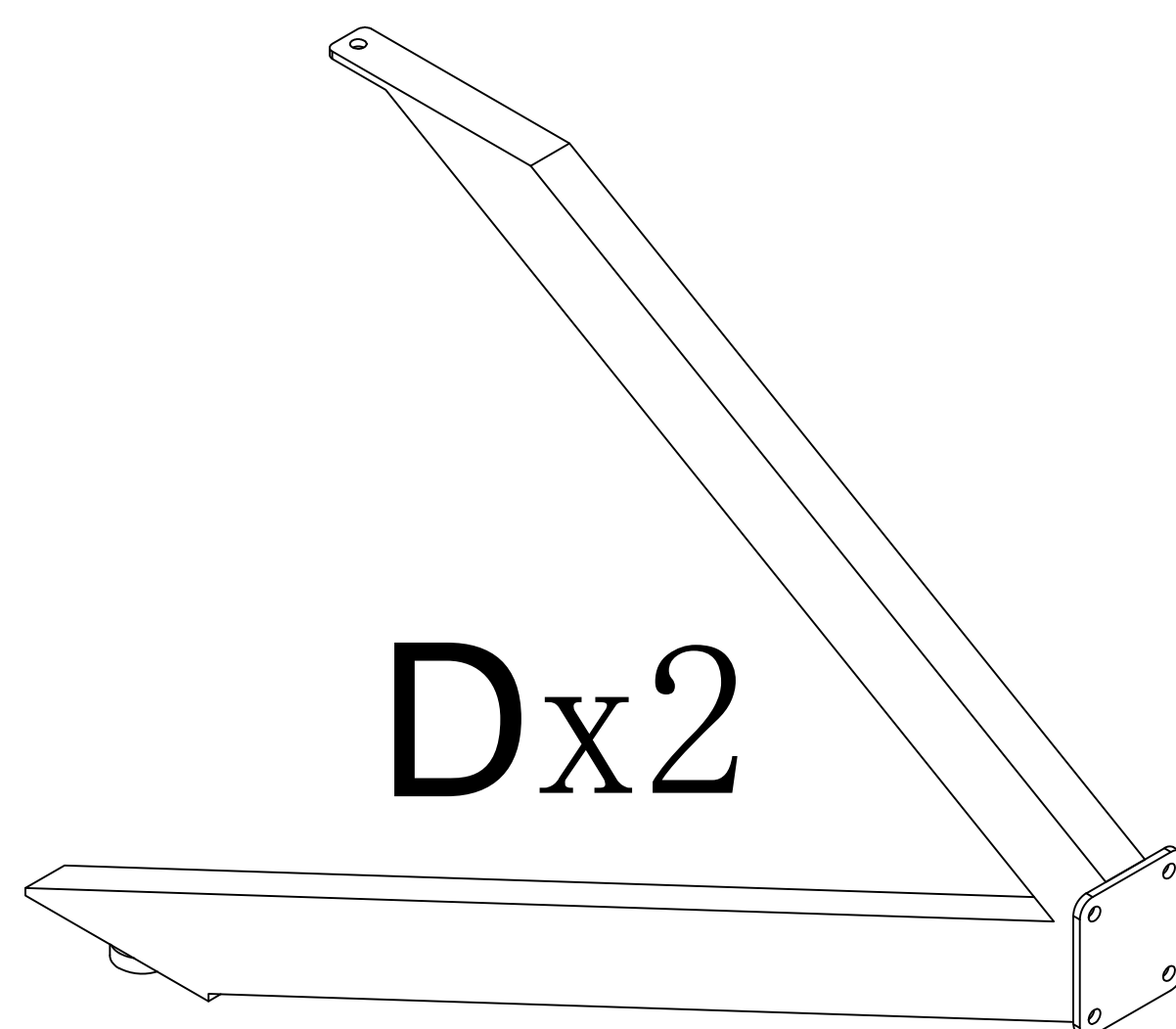
2: CARTON CONTENT
SKU CODE : (N704P443568)



Bx2

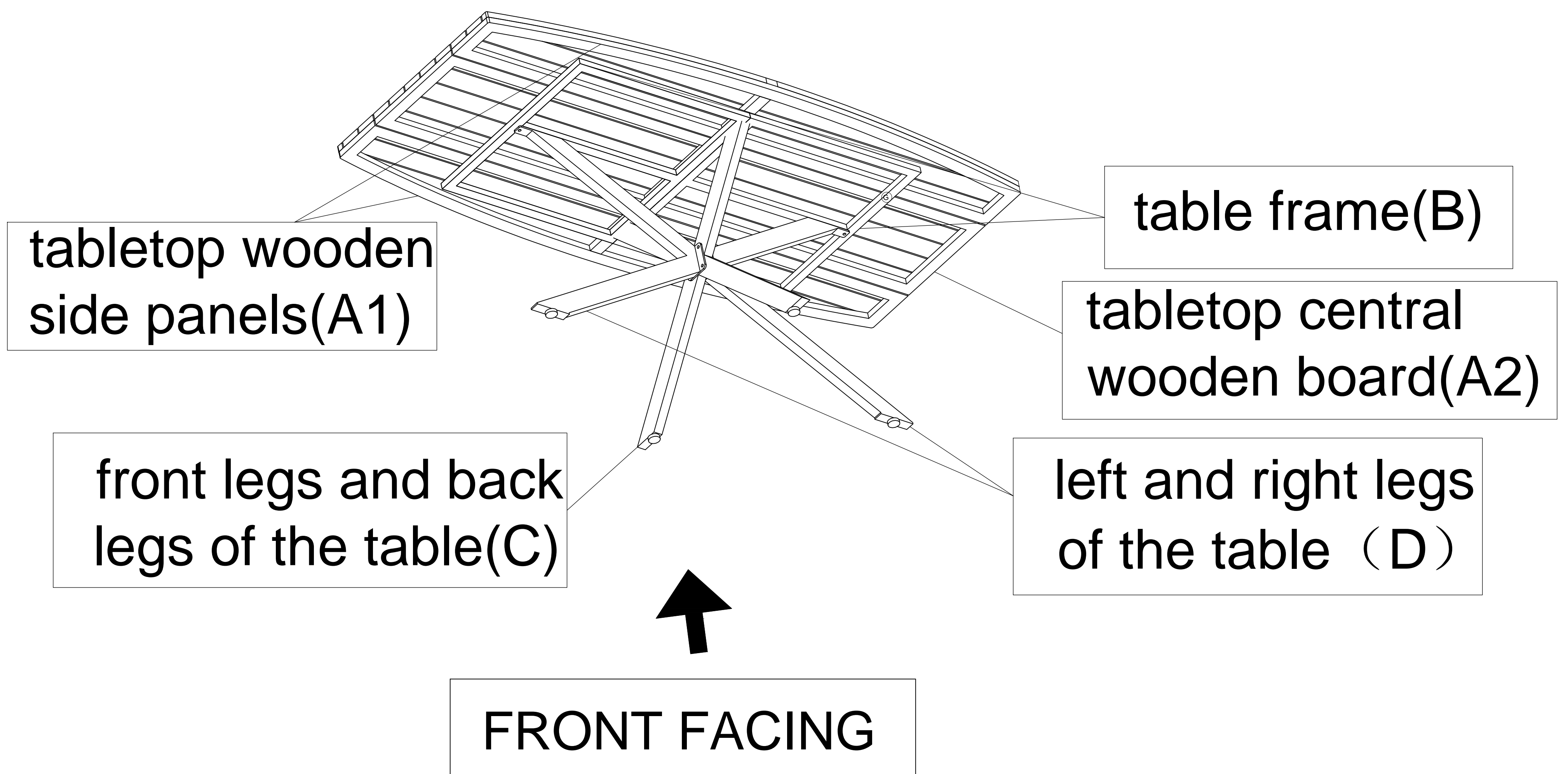


Cx1



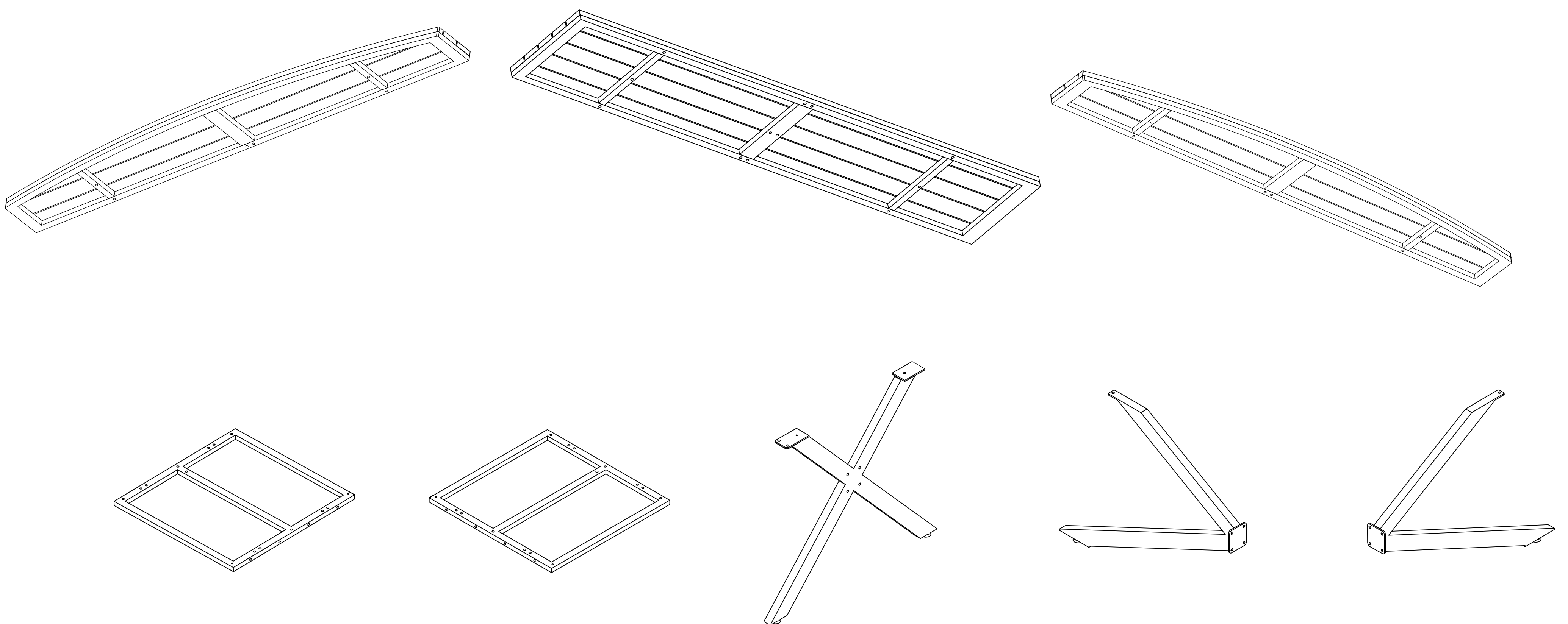
Dx2

Assembly Steps:



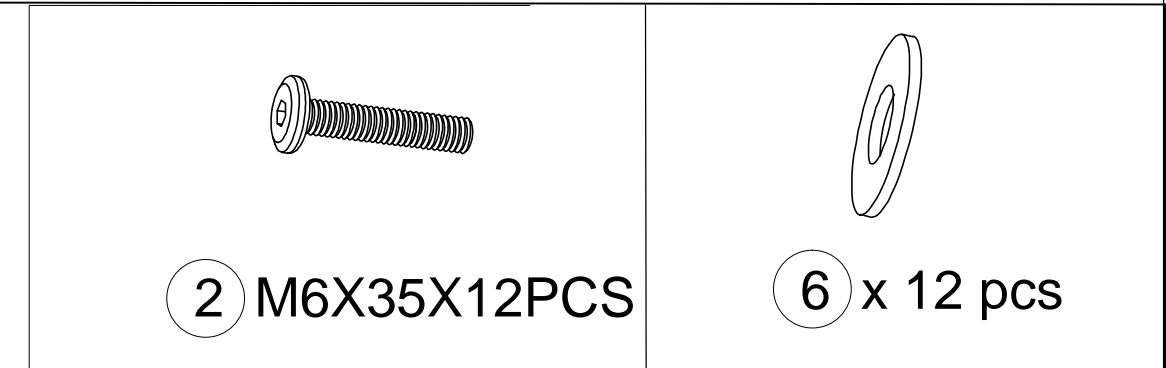
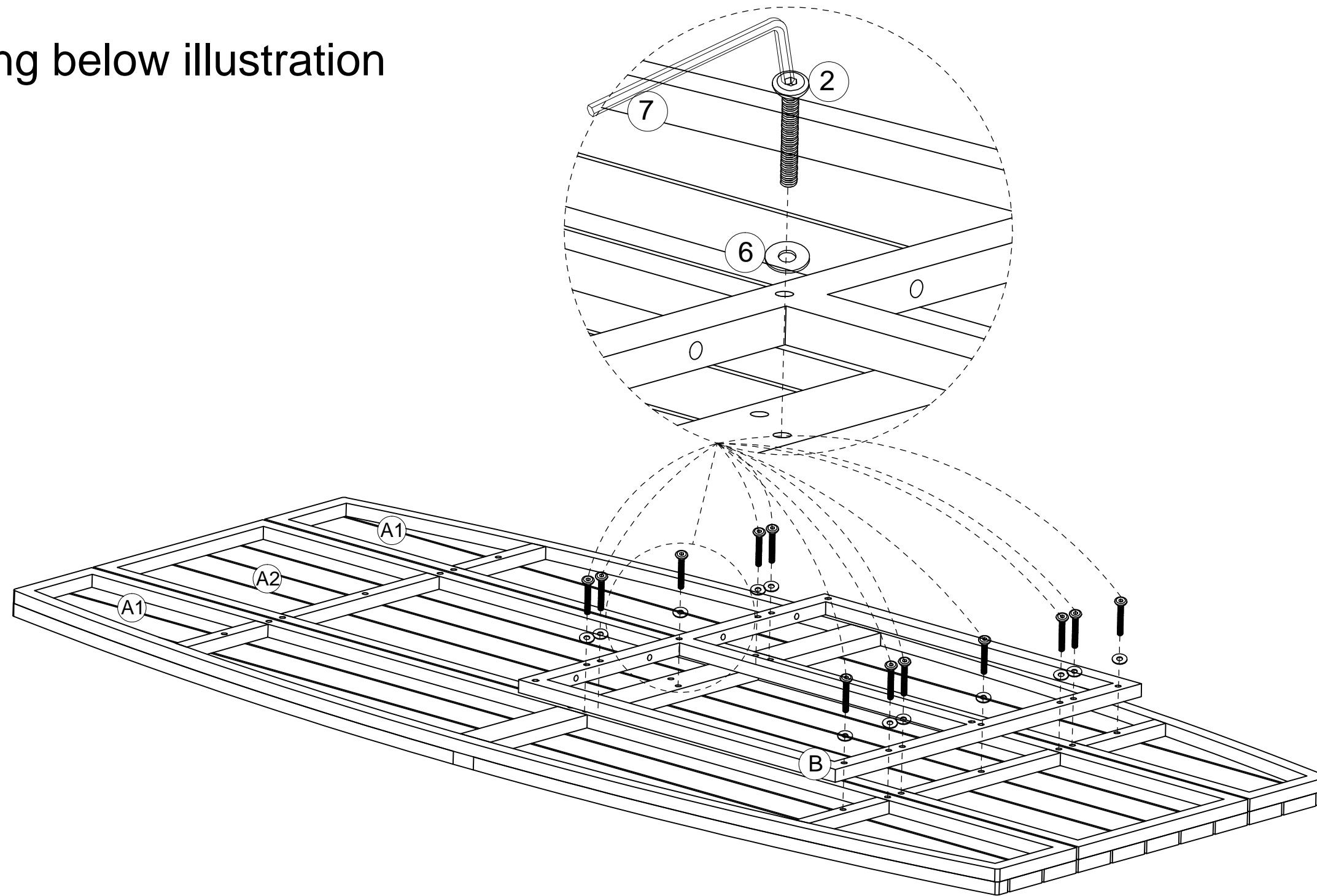
This Table has multiple parts and may require up to 30 minutes to assemble. To give you an overview of the Table parts, the above picture is to help you put the various parts into perspective. Please read through the instructions below to familiarise yourself with the parts and steps before assembly.

Step 1

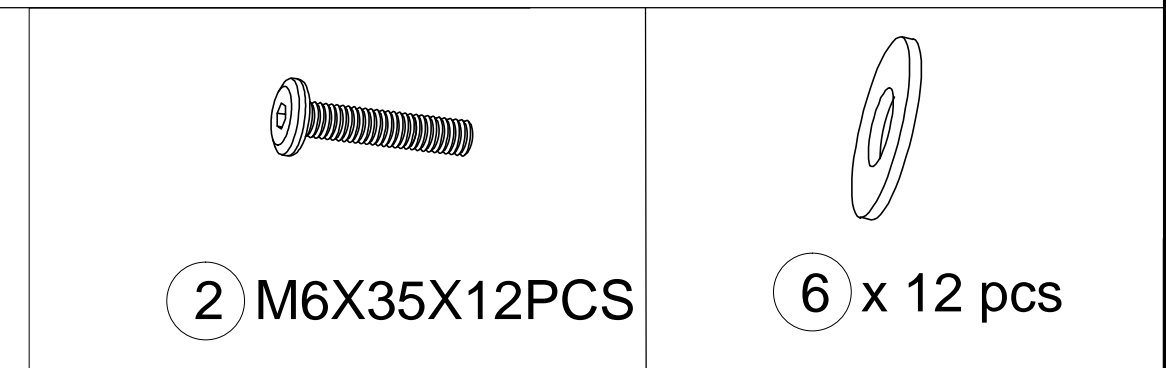
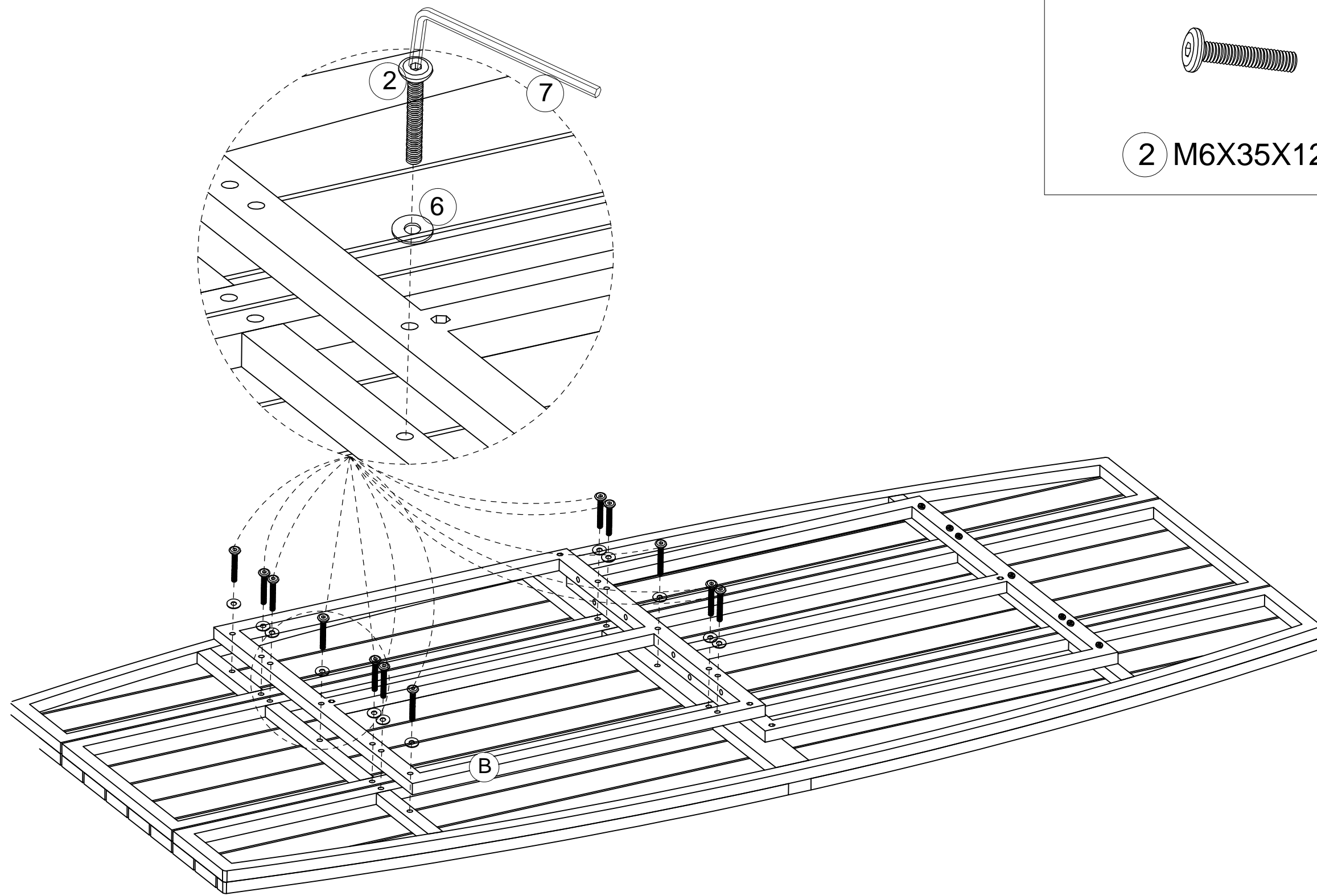


Unpack and place all parts on a clean, non-marring surface.

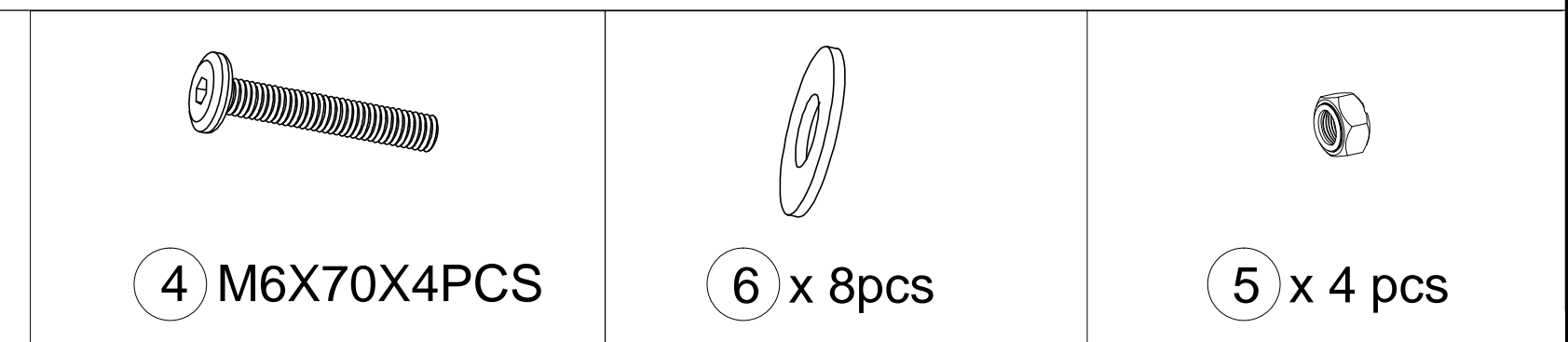
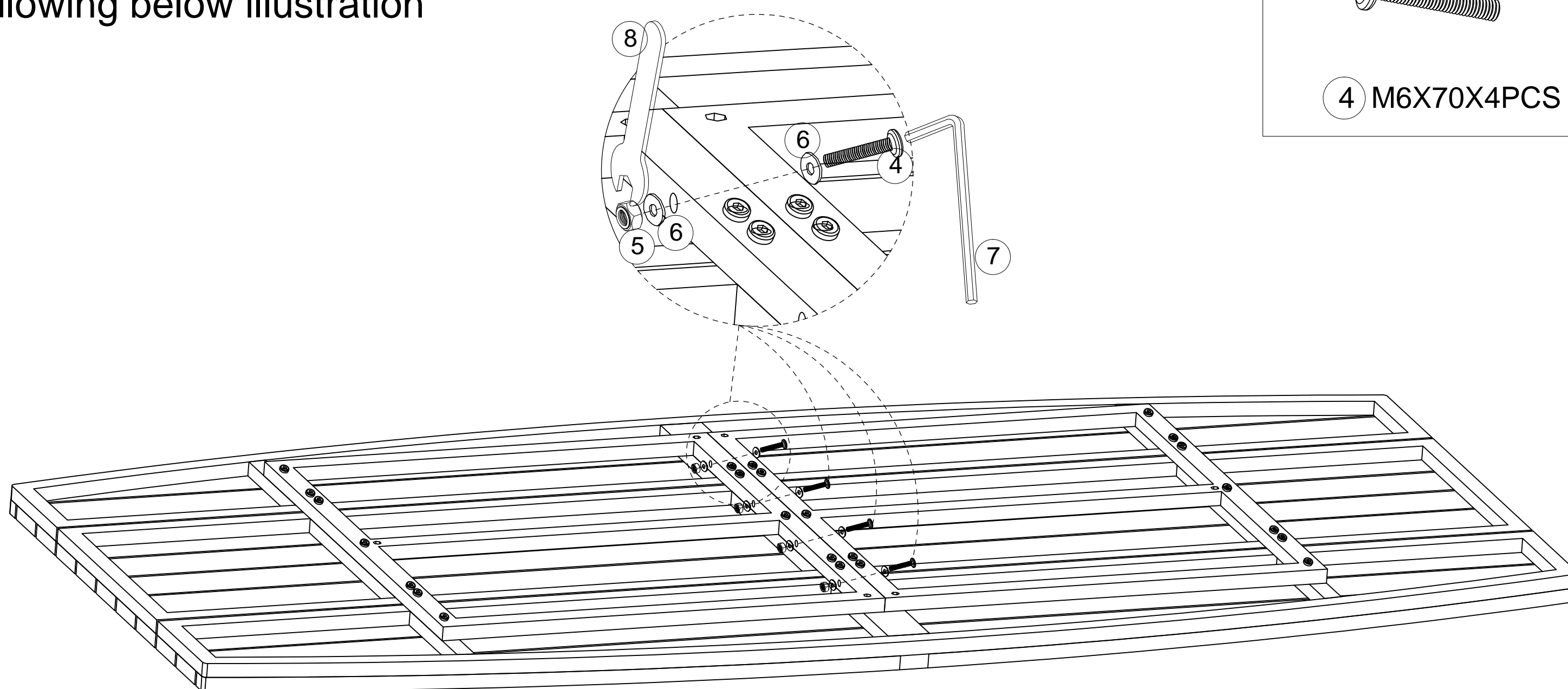
Step: 2 Following below illustration



Step: 3 Following below illustration

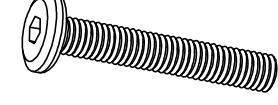




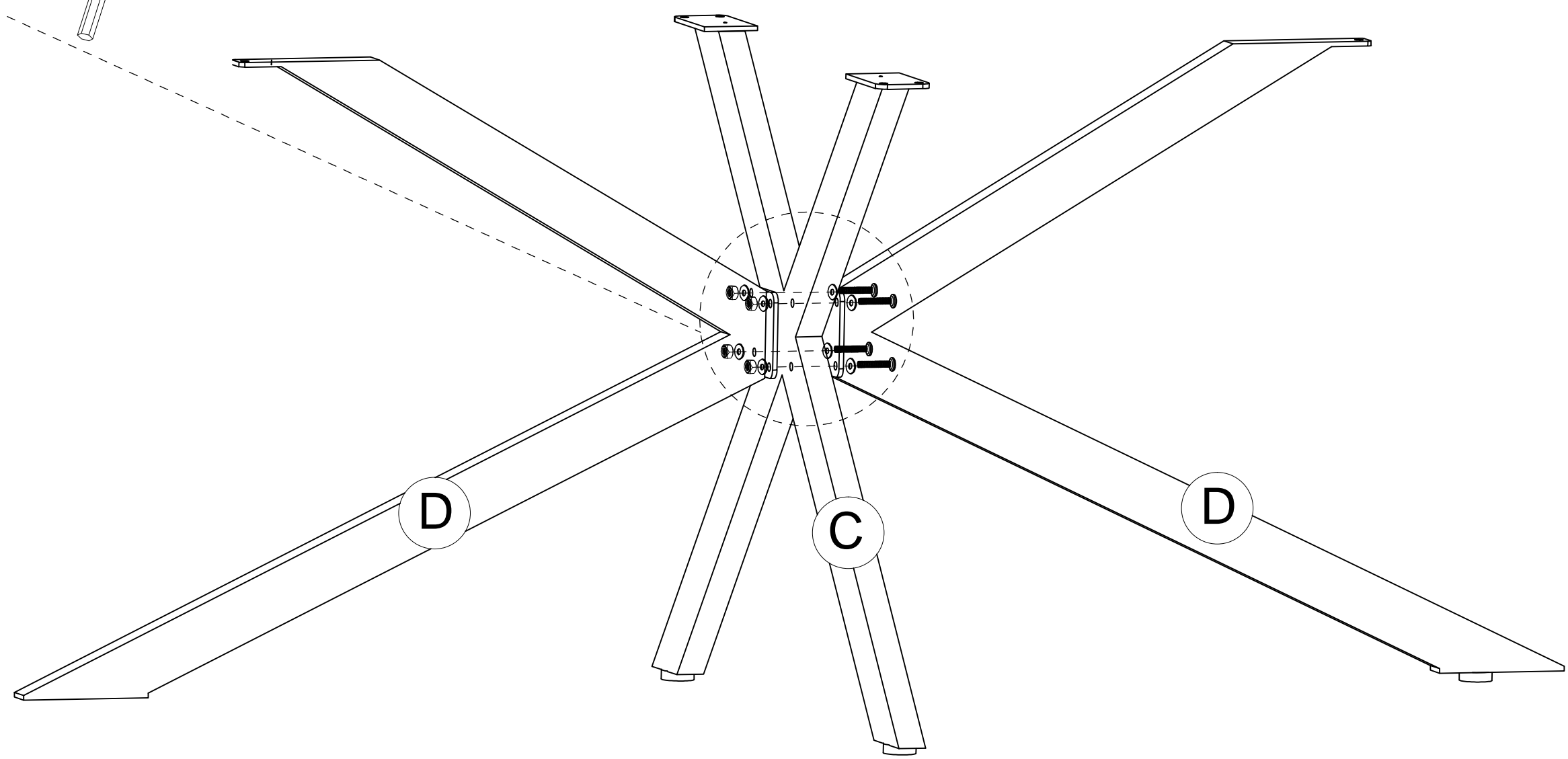
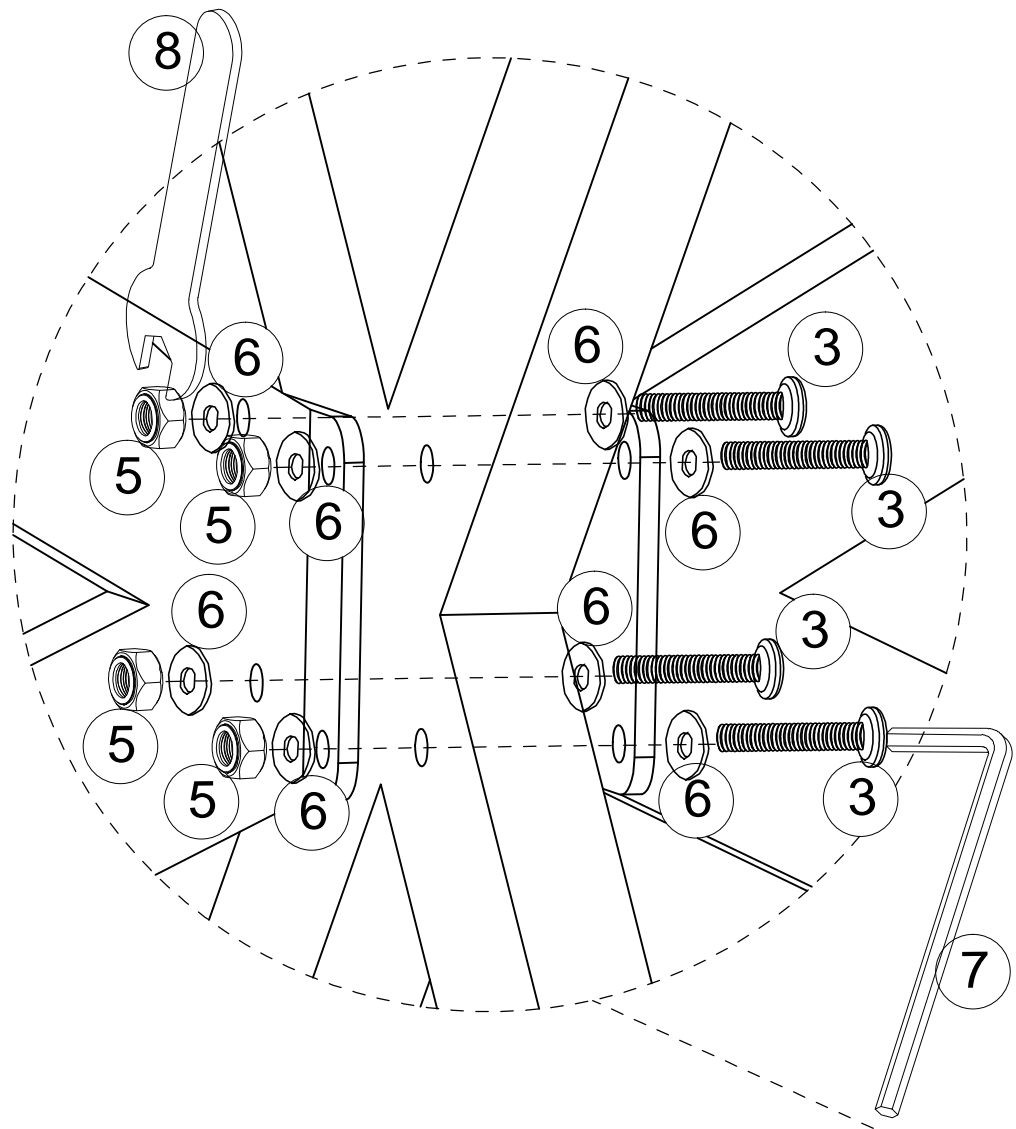
Step: 4 Following below illustration



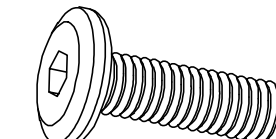

With assistance from your adult partners, turn the Table Top (A) (bottom-side up) and place on a clean, non-marring surface to avoid any scratches or damage to the product.

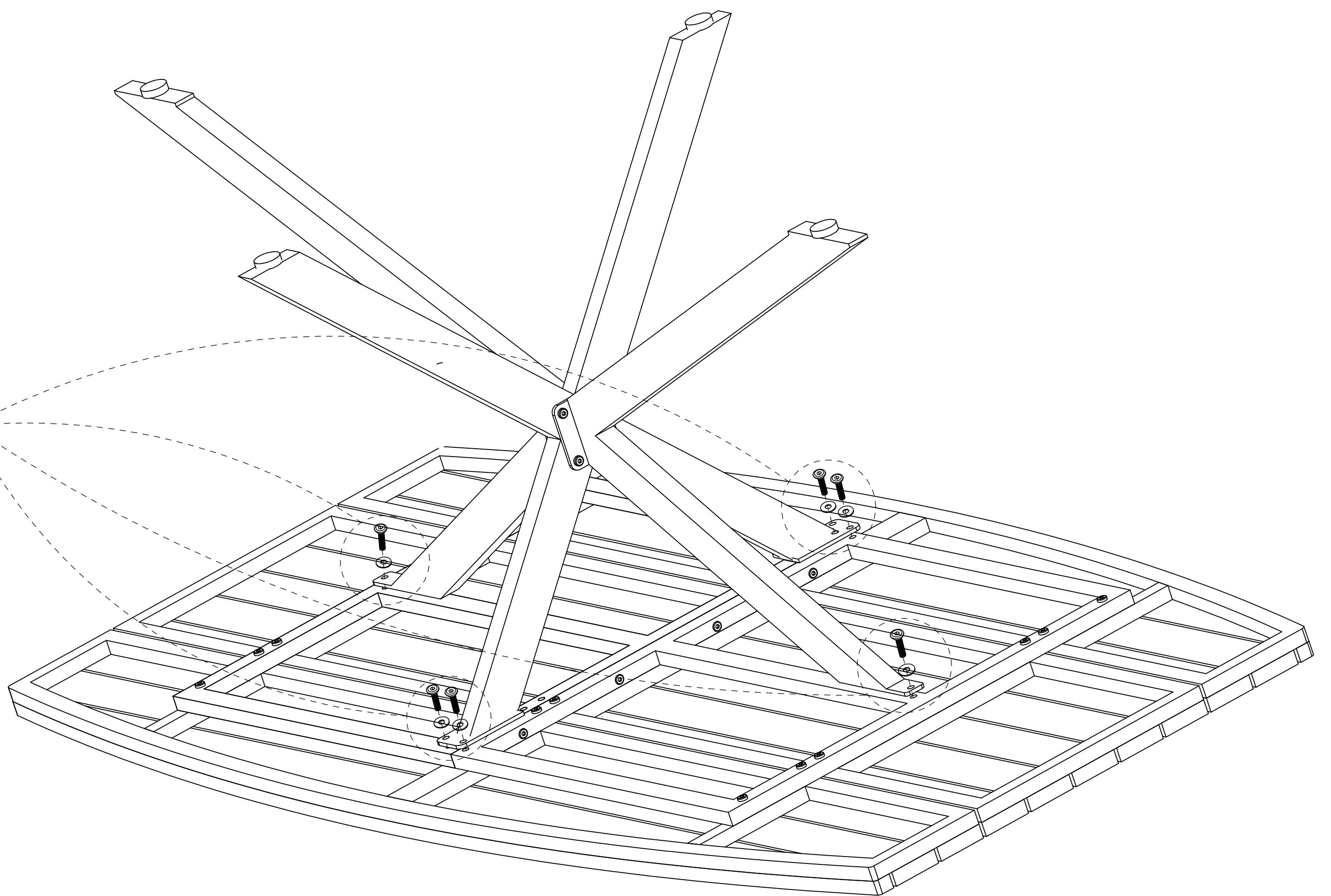
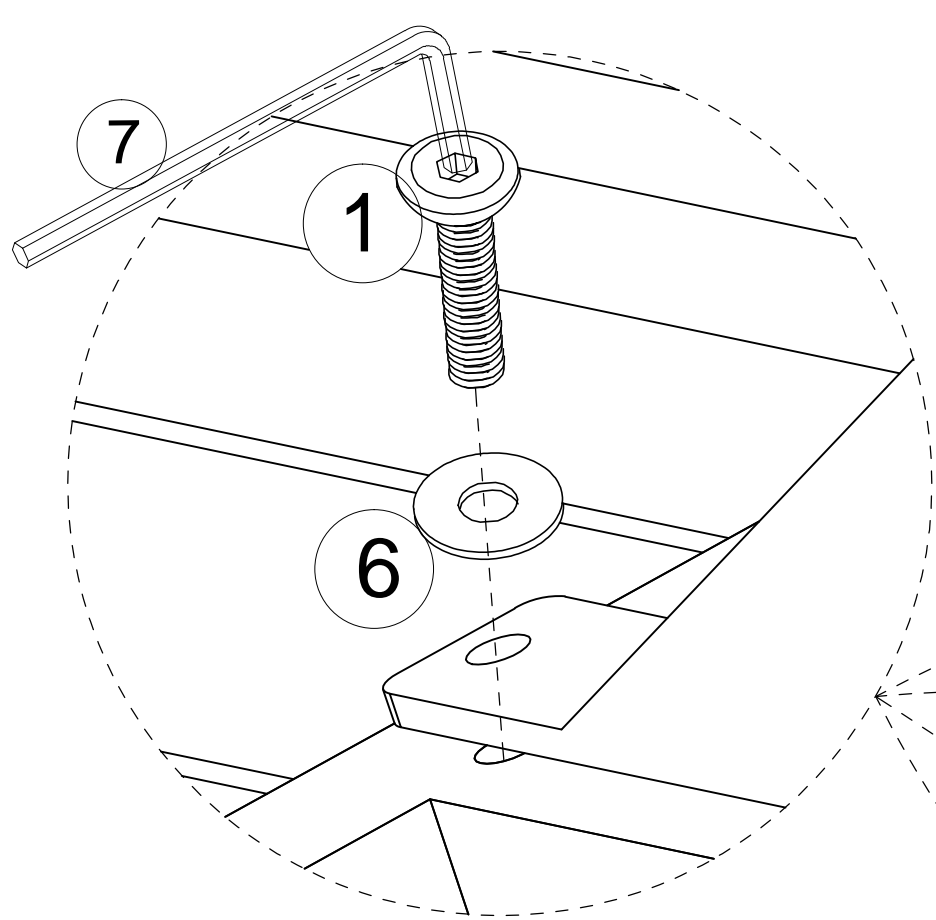
Step: 5 Following below illustration

		
③ M6X50X4PCS	⑥ x 8 pcs	⑤ x 4 pcs

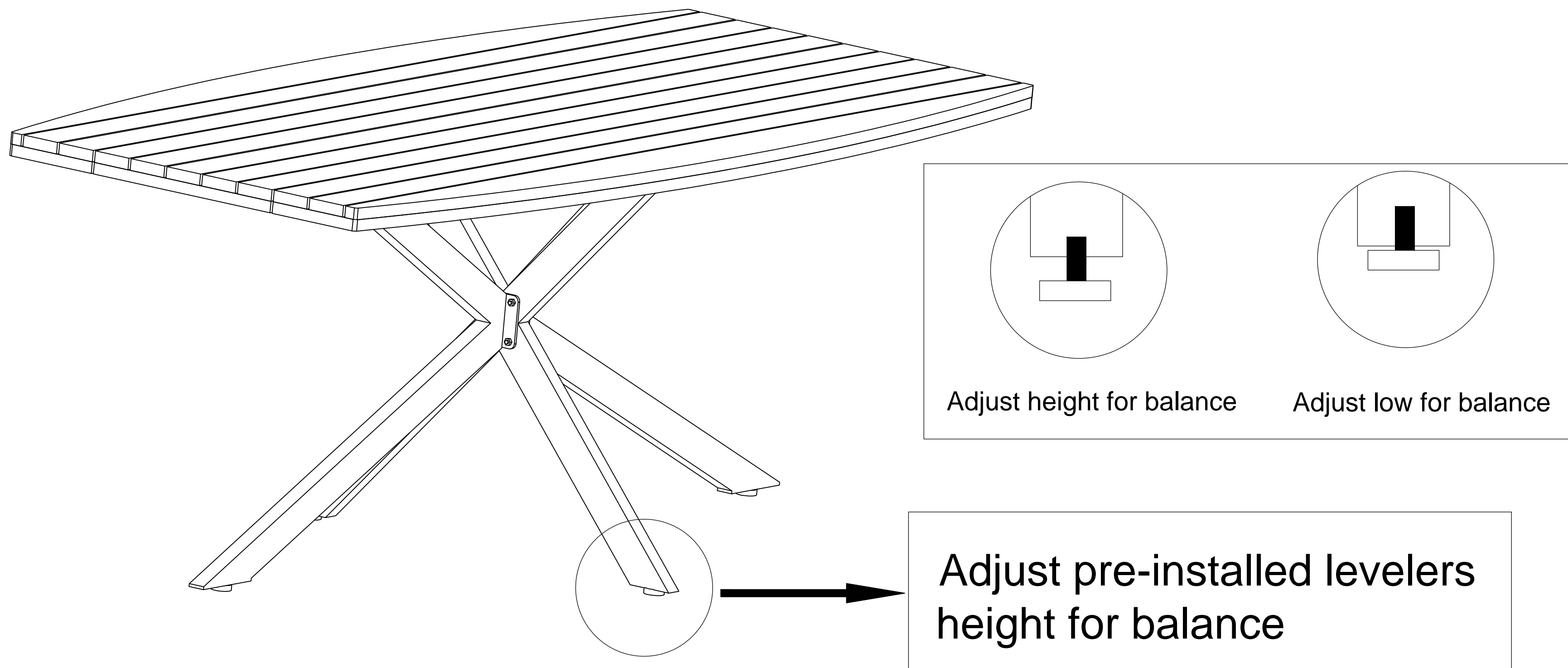


Step: 6 Following below illustration

	
① M6X20X6PCS	⑥ x 6 pcs



Step: 7 Following below illustration



With the help of your adult partner, stand the Table up. Exert pressure floorwards, onto the Table with both your hands. This pressure will help the Legs and Table Top reach full alignment status.

Check for wobbles on a LEVEL surface.

If no wobbles are found proceed to tighten the Bolts in a sequential manner, until evenly secured.

When tightening the Bolts tighten sequentially.

DO NOT tighten any Bolt fully and then move on towards the next one. If there are still wobbles, loosen the Bolts and execute the same above process.

WARNING!! IF TABLE IS NOT STABLE, IT COULD LEAD TO DAMAGING THE PRODUCT.

Your Table is ready for use.

This Table can only be used on a flat, level surface.