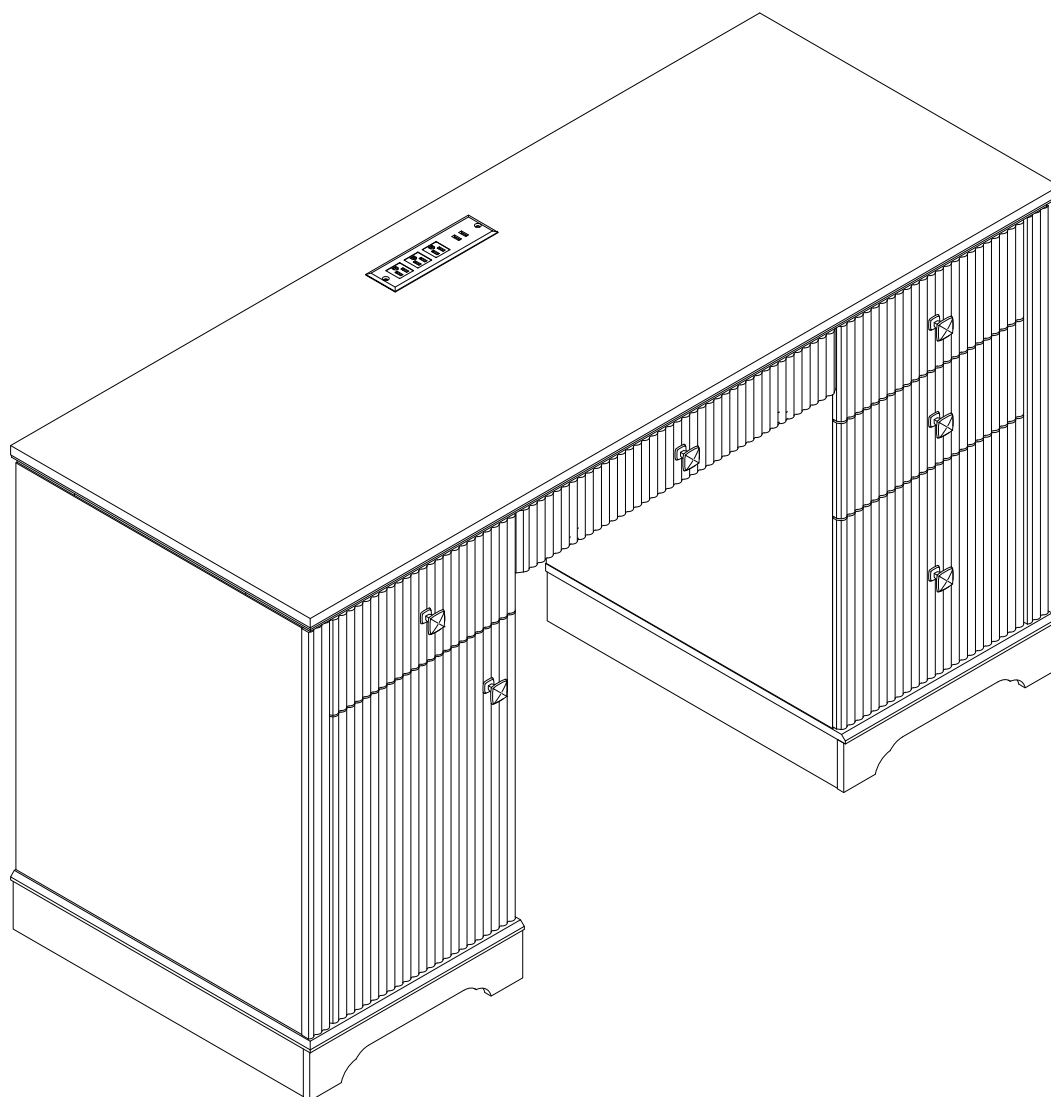


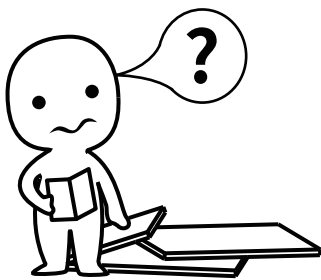
SKU:XW0022700

Product Manual



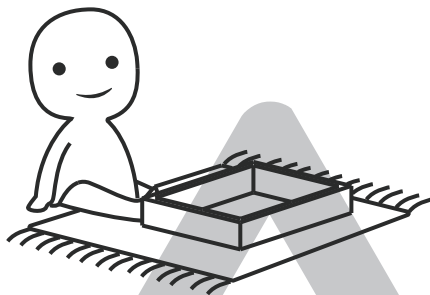
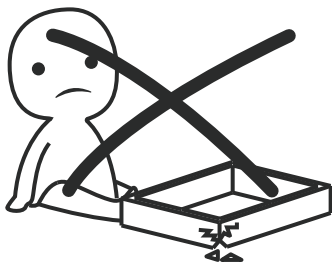
Note:

- 1.Please confirm that all parts are correct before assembly.
- 2.If you have Any questions, feel free to contact us.



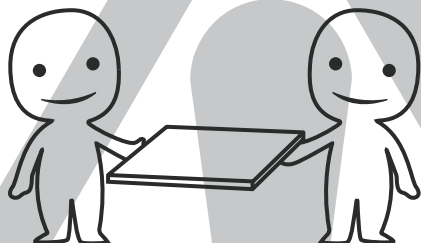
IMPORTANT INFORMATION!

please read the entire manual before starting to assemble and/or using this product. follow the manual thoroughly and keep it for further reference.



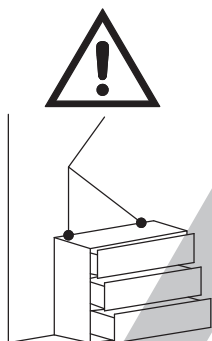
AVOID SCRATCHES!

To avoid scratching, assemble this furniture on a soft layer (e.g., rug).



IMPROVE EFFICIENCY !

Find a partner to help with installation. This will improve efficiency and save time.



ANTI-TOPPLE WARNING !

Overturned furniture can cause serious or fatal crush injuries. To prevent tipping over, be sure to use the wall attachment, if not included with this product. Please purchase the wall attachment that fit your wall. If unsure, seek professional advice. Please read and follow each step of the instructions carefully.

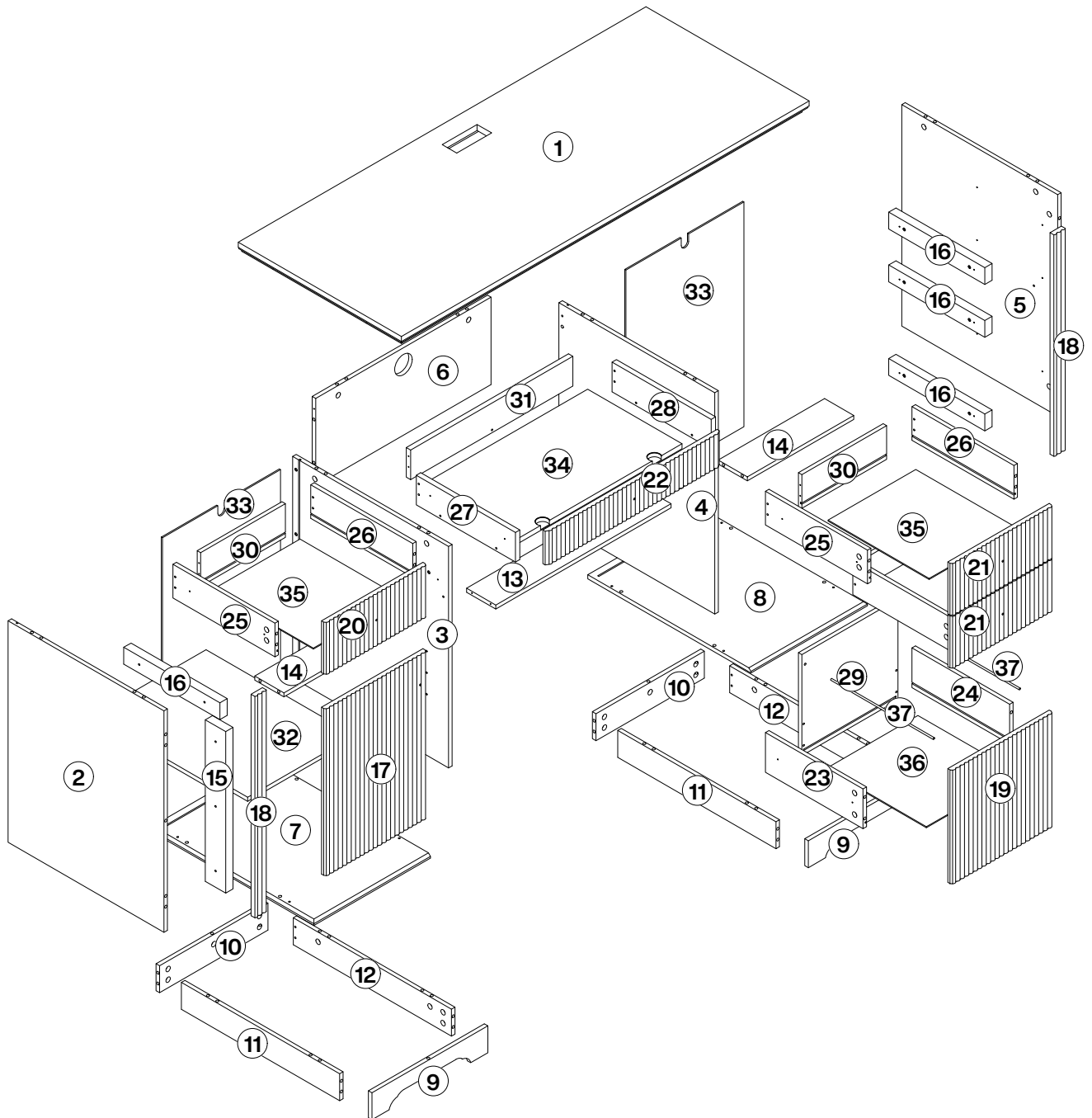
IMPORTANT !

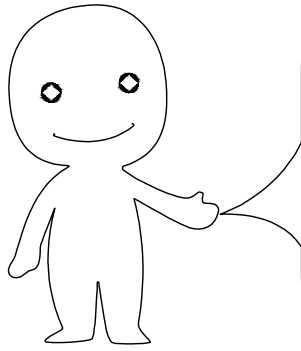
It is important that any product which is assembled using any kind of screw is re-tightened 2 weeks after assembly, and once every 3 months - in order to assure stability throughout the lifespan of the product.

For regular maintenance and cleaning of the product, for the frame, please use a rag dipped in neutral detergent to fully wipe it, and then dry it with a clean rag. For glass materials, wipe with a rag dampened with glass cleaner diluted with water, and then dry with a dry rag.

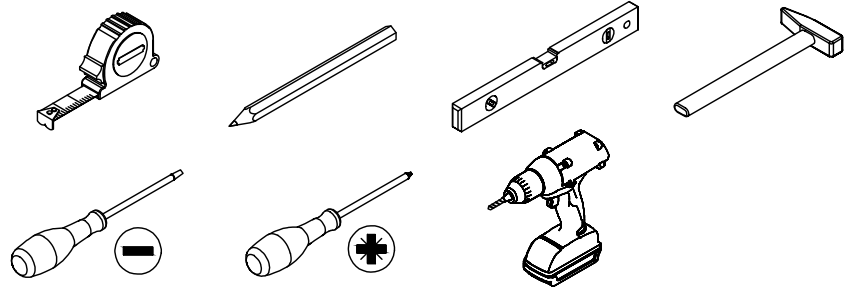
Do not use an electric screwdriver, and do not use too much force when installing, because the board is easy to break.

Note: Make sure you get screws lined up with the predrilled holes before you tighten all screws during installation.



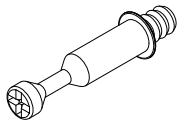


Please prepare the following tools



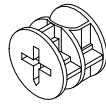
When installing, please carefully confirm whether each screw corresponds to the manual. Accessories with similar shapes can be distinguished by their size

A x 68



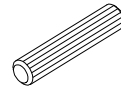
M6*35mm

B x 68



Ø15*9.5mm

C x 34



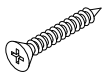
Ø8*30mm

D x 56



Ø3.5*12mm

E x 16



Ø4*40mm

F x 36



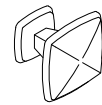
Ø4*30mm

G x 6



M4*20mm

H x 6

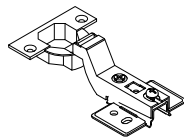


J x 14

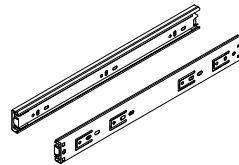


Ø3*16mm

K x 2

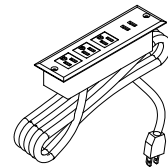


L x 5

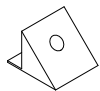


14"

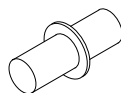
M x 1



N x 12



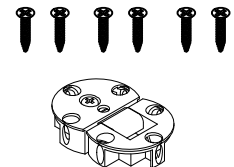
P x 4



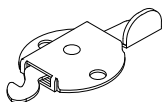
Q x 16



R x 2



S x 1



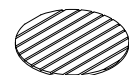
T x 1



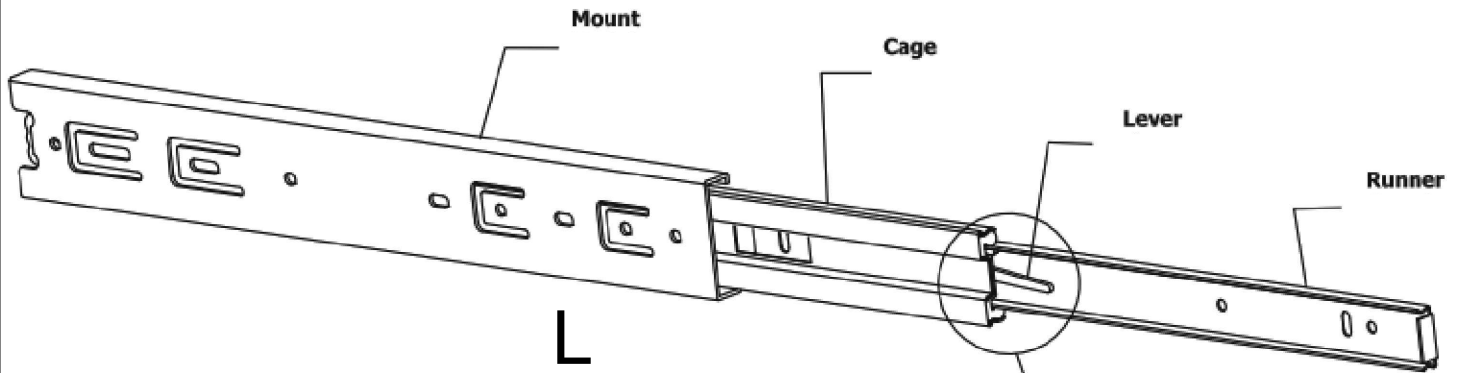
U x 2



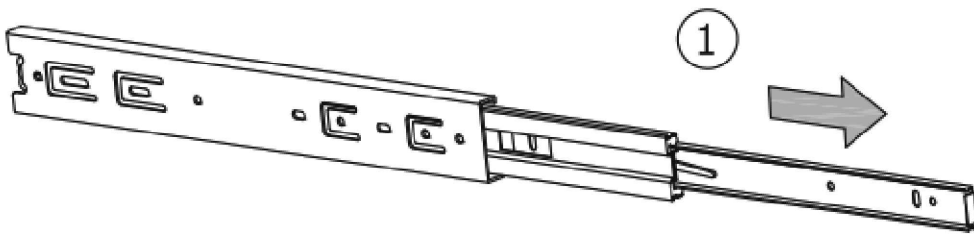
V x 30



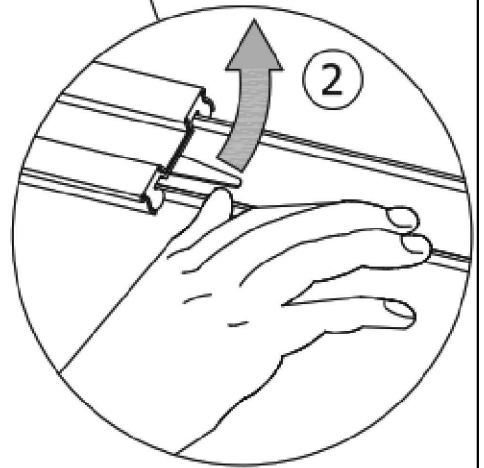
Sildes Must Be Separated Before Assembly.
After Separated, Set Aside Until Needed for Assembly.



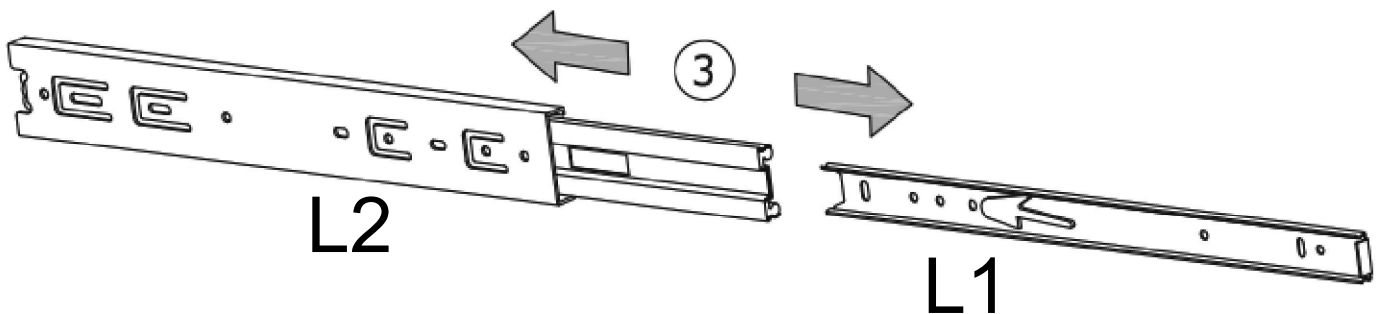
STEP1: Extend silde



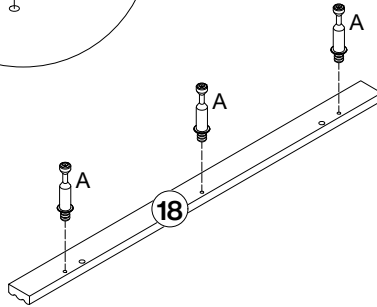
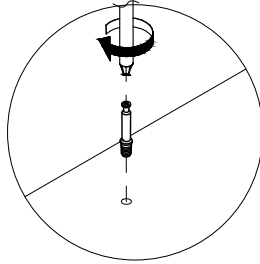
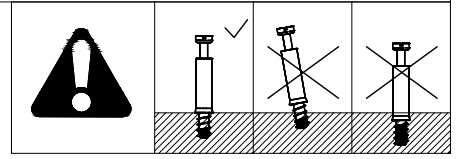
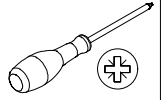
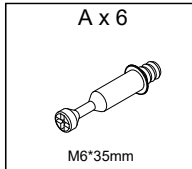
STEP2: Push Lever UP



STEP3: Remove Runner



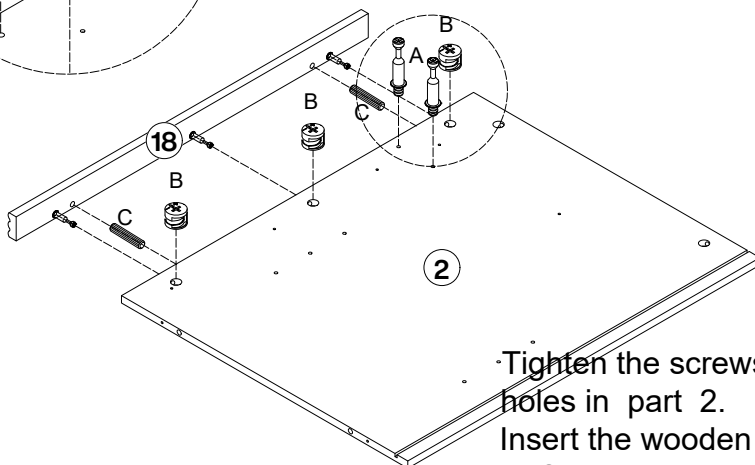
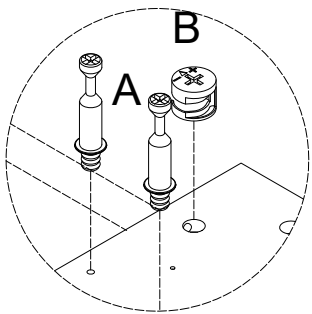
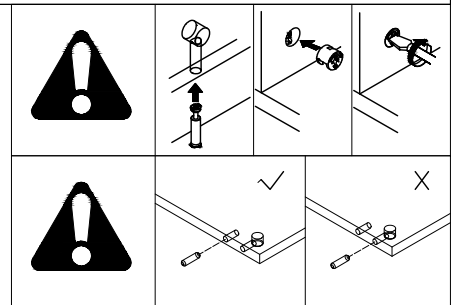
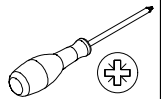
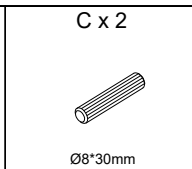
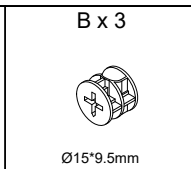
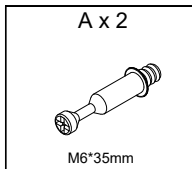
1



Tighten the screws(A) into the corresponding holes in part 18


x2

2

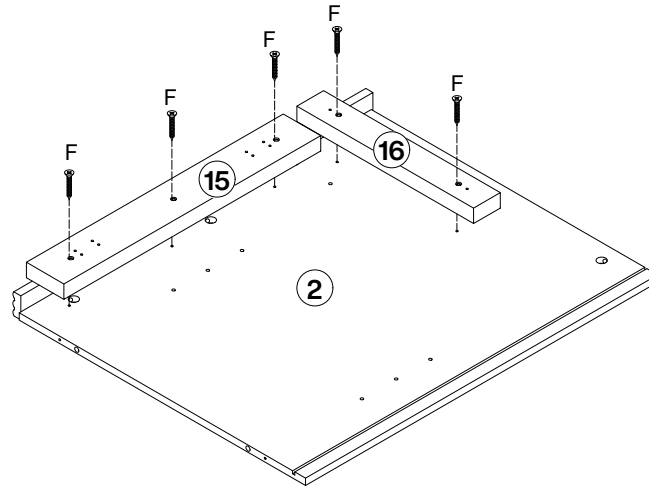


Tighten the screws(A) into the corresponding holes in part 2.
Insert the wooden dowel (C) into one side of part 2. Connect part 2 to part 18, then insert the snap lock (B) into the hole on part 2 .and tighten by turning clockwise as shown.

3

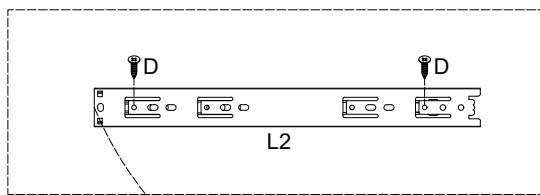
F x 5  Ø4*30mm	
-------------------------------------------------------------------------------------------------------	-------------------------------------------------------------------------------------

As shown, fasten part 15 & 16 to part 2 with (F).

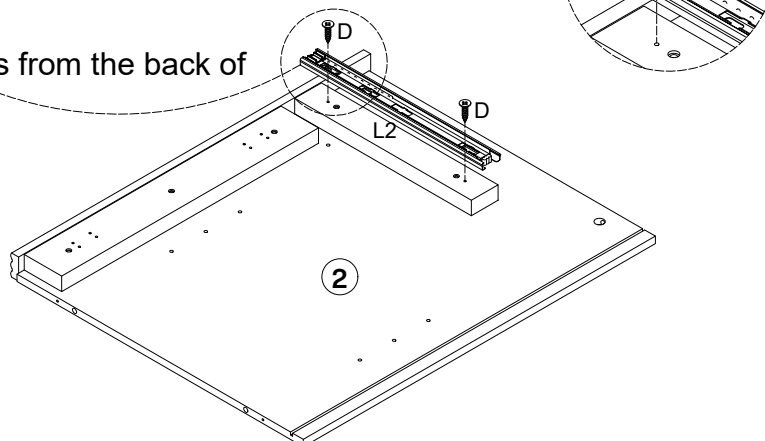


4

D x 2  Ø3.5*12mm	L x 1 L2 14"	
-----------------------------------------------------------------------------------------------------------	--------------------	---------------------------------------------------------------------------------------

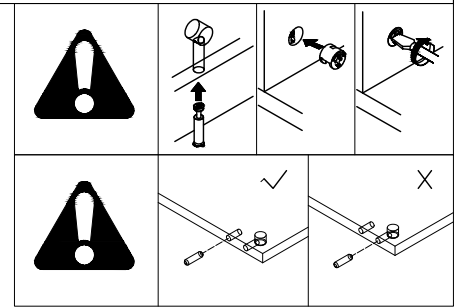
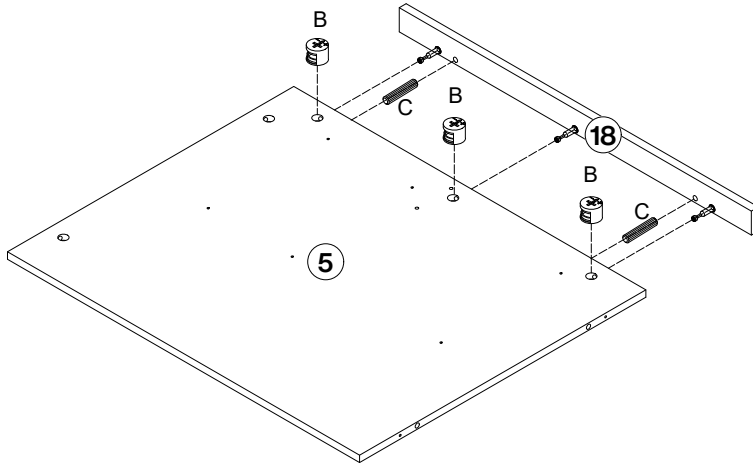
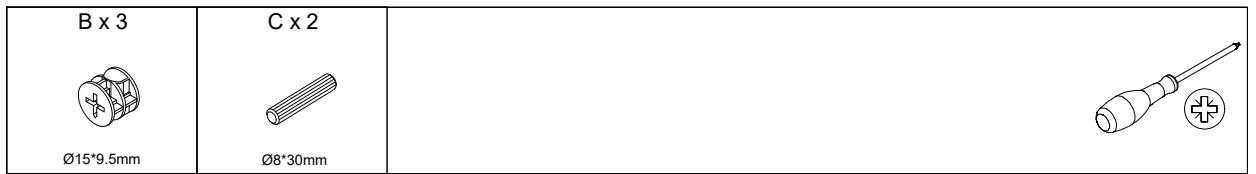


Attention:
Please locate the holes from the back of
part L2.



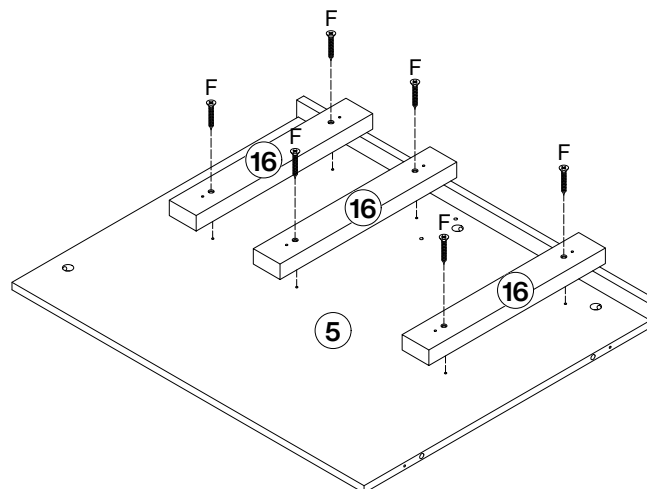
As shown in the picture, fix the slide rail (L2) to the
part 2 with the screw (D).

5



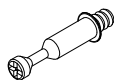


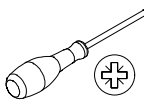
Insert the wooden dowel (C) into one side of part 5. Connect part 5 to part 18, then insert the snap lock (B) into the hole on part 5 and tighten by turning clockwise as shown.

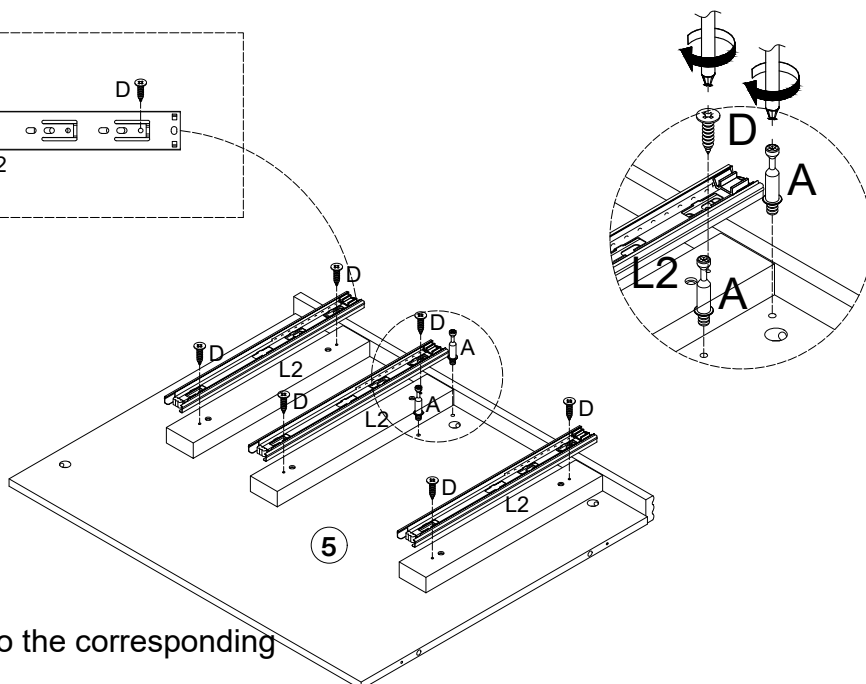
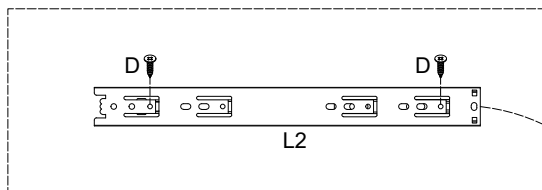
6



As shown, fasten part 16 to part 5 with (F).

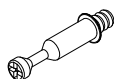


7

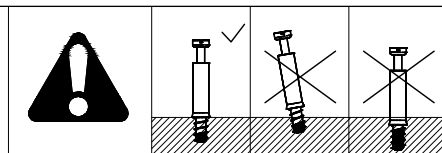
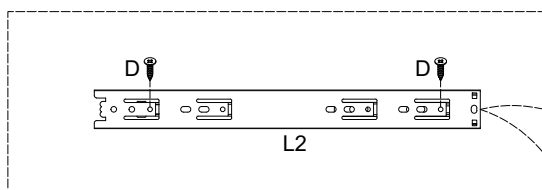
<p>A x 2</p>  <p>M6*35mm</p>	<p>D x 6</p>  <p>Ø3.5*12mm</p>	<p>L x 3</p> <p>L2</p>  <p>14"</p>	
---------------------------------------------------------------------------------------------------------------	-----------------------------------------------------------------------------------------------------------------	---------------------------------------------------------------------------------------------------------------------	-------------------------------------------------------------------------------------



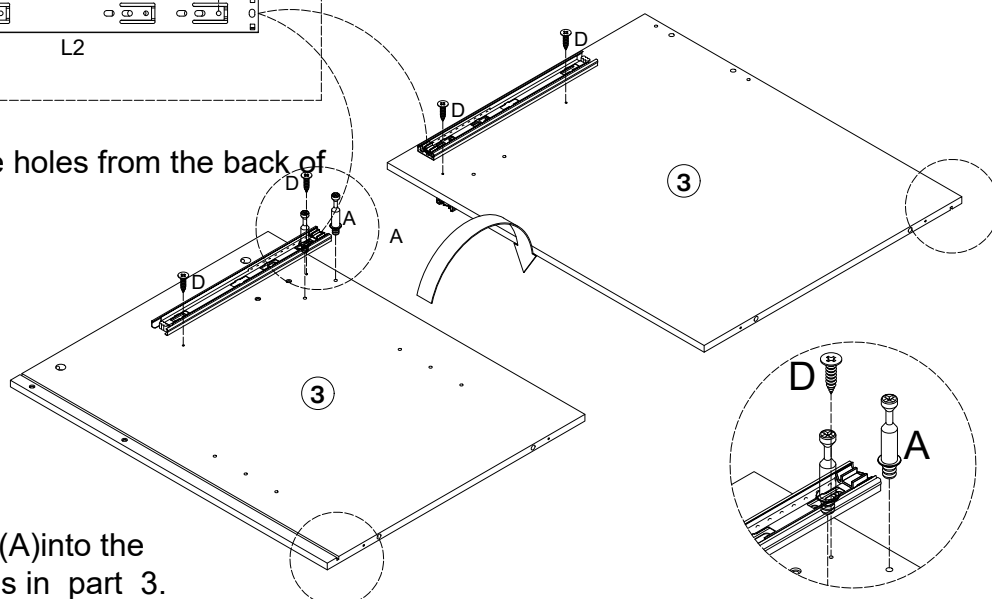
Tighten the screws(A) into the corresponding holes in part 5.
As shown in the picture, fix the slide rail (L2) to the part 5 with the screw (D).

8

<p>A x 2</p>  <p>M6*35mm</p>	<p>D x 4</p>  <p>Ø3.5*12mm</p>	<p>L x 2</p> <p>L2</p>  <p>14"</p>	
-----------------------------------------------------------------------------------------------------------------	-------------------------------------------------------------------------------------------------------------------	-----------------------------------------------------------------------------------------------------------------------	--

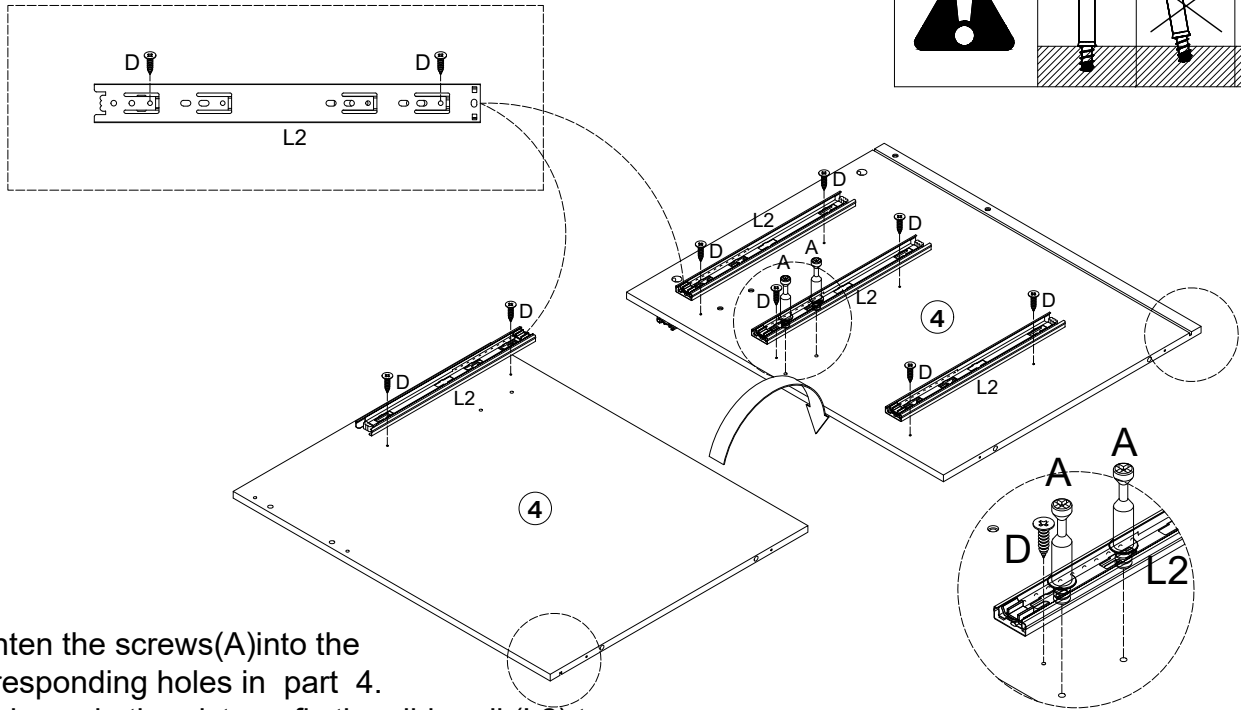
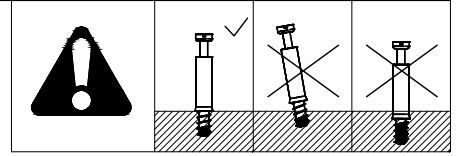
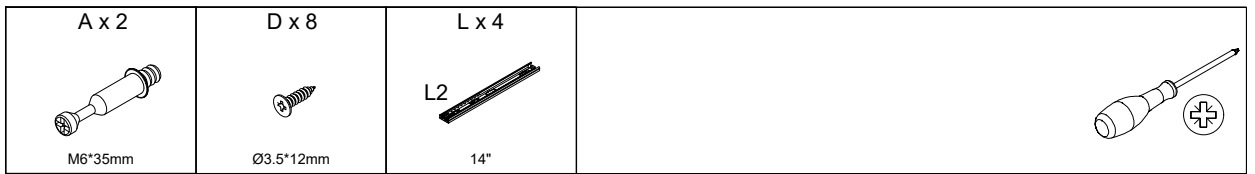


Attention:
Please locate the holes from the back of part L2.



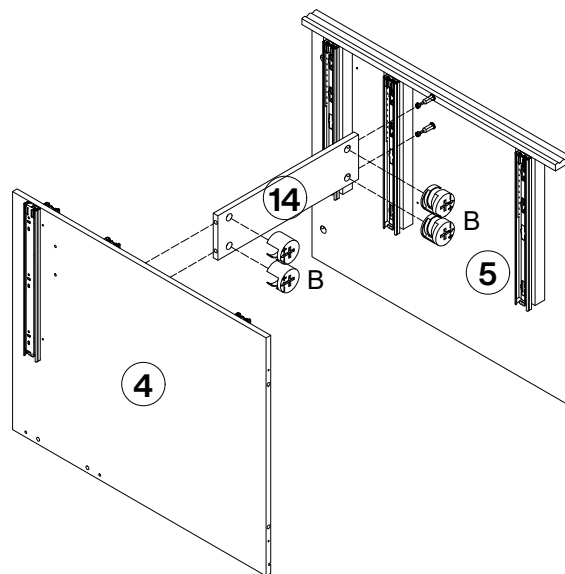
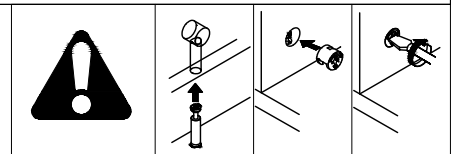
Tighten the screws(A) into the corresponding holes in part 3.
As shown in the picture, fix the slide rail (L2) to the part 3 with the screw (D).

9



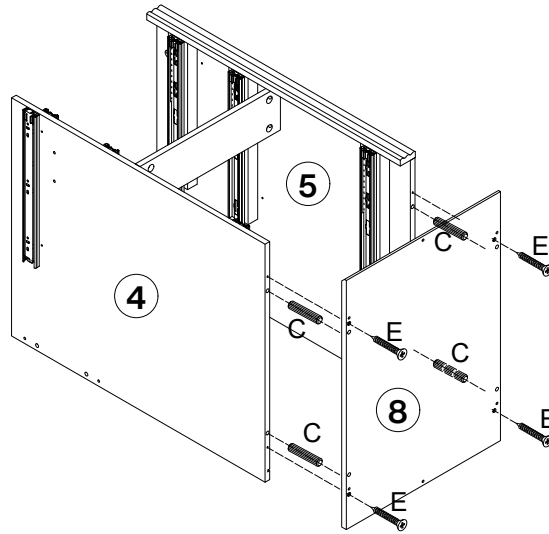
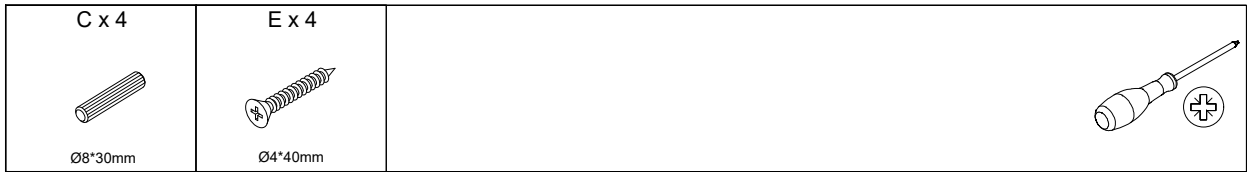
Tighten the screws(A) into the corresponding holes in part 4.
As shown in the picture, fix the slide rail (L2) to the part 4 with the screw (D).

10



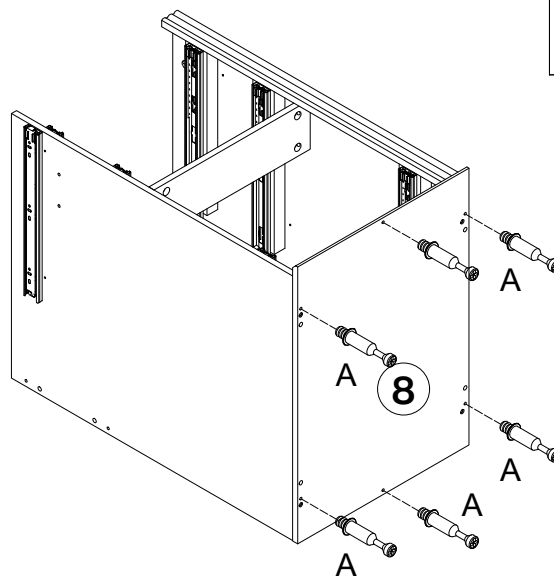
As shown ,Connect part 4 & 5 to part 14, then insert the snap lock (B) into the hole on part 14 .and tighten by turning clockwise as shown.

11



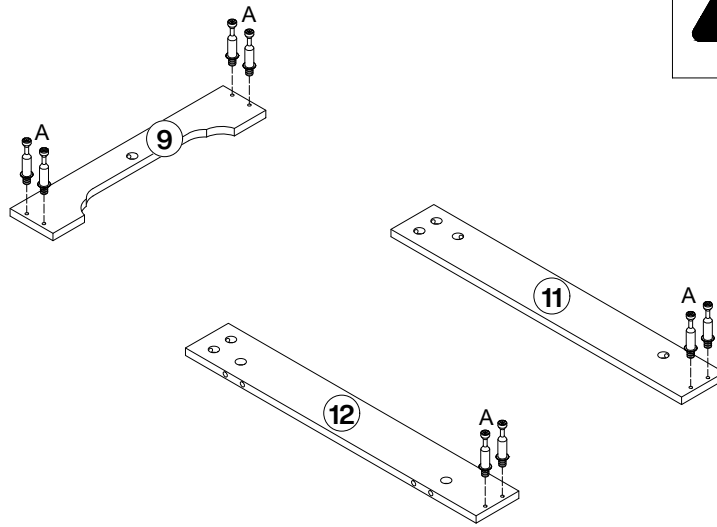
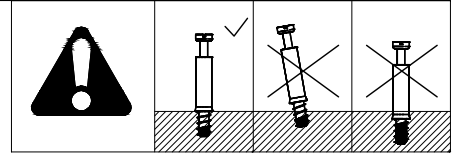
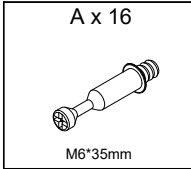
As shown, connect part 8 to part 4 & 5 with wooden dowel (C) and fasten part 8 to part 4 & 5 with (E).

12



Tighten the screws(A)into the corresponding holes in part 8

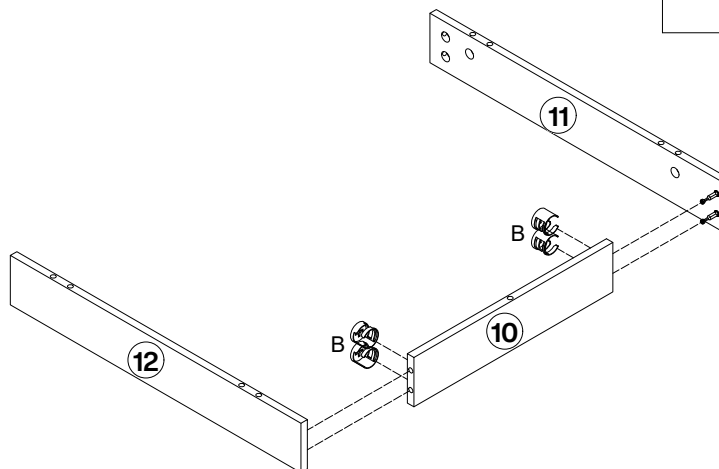
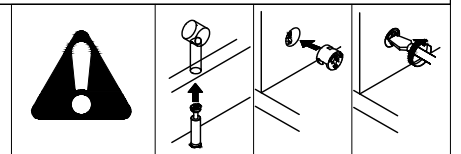
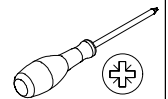
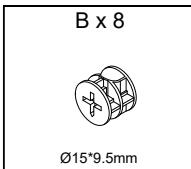
13



Tighten the screws(A)into the corresponding holes in part part 9 & 10 and 12

x2

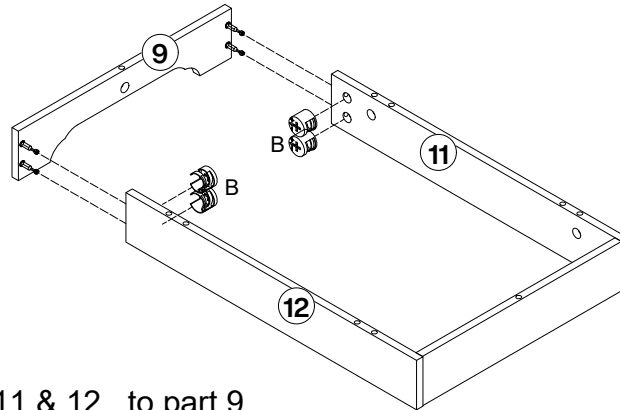
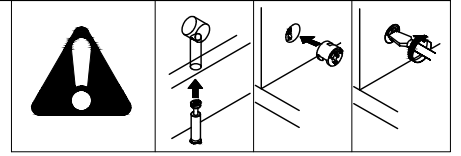
14



As shown ,Connect part 11 & 12 to part 10, then insert the snap lock (B) into the hole on part 10 .and tighten by turning clockwise as shown.

x2

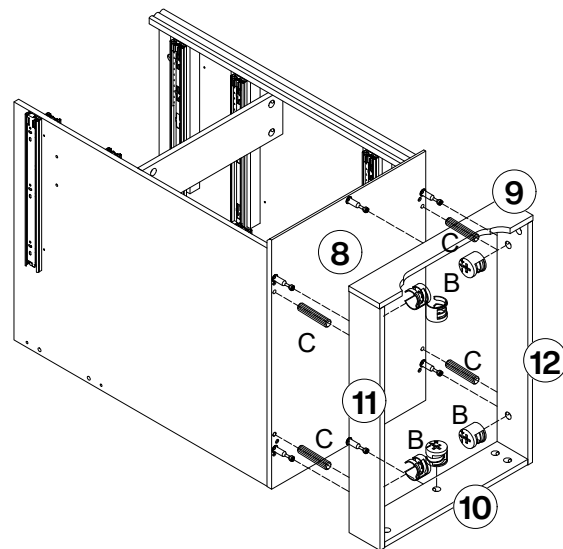
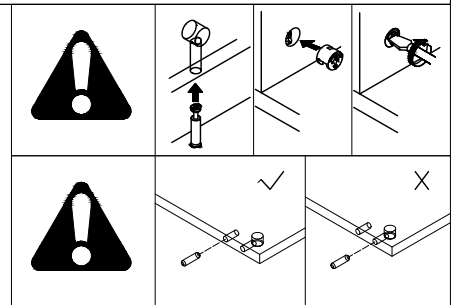
15



As shown ,Connect part 11 & 12 to part 9, then insert the snap lock (B) into the hole on part 9.and tighten by turning clockwise as shown.

x2

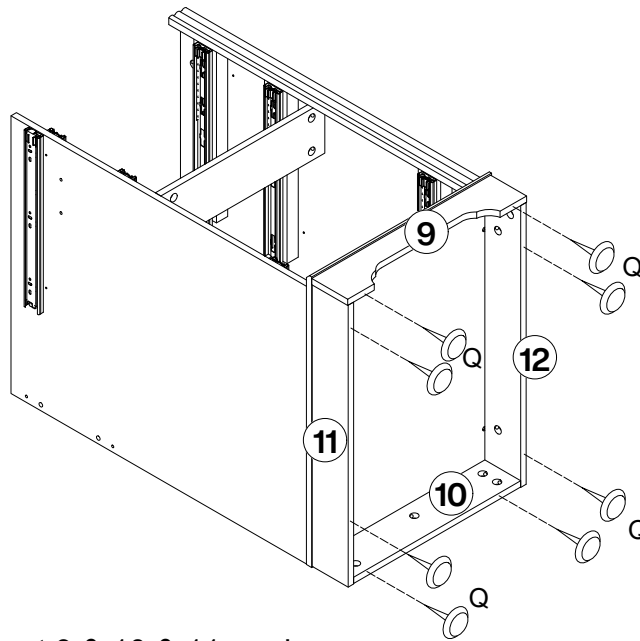
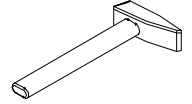
16



Insert the wooden dowel (C) into one side of part 11 & 12. Connect part 9 & 10 & 11 and part 12 to part 8, then insert the snap lock (B) into the hole on part 8 .and tighten by turning clockwise as shown.

17

Q x 8



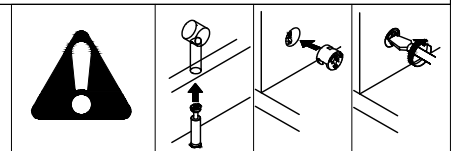
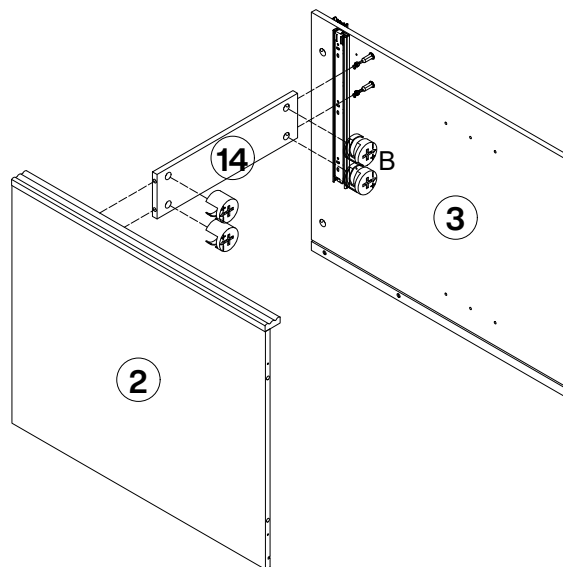
Hammer screw Q into the part 9 & 10 & 11 and part 12

18

B x 4



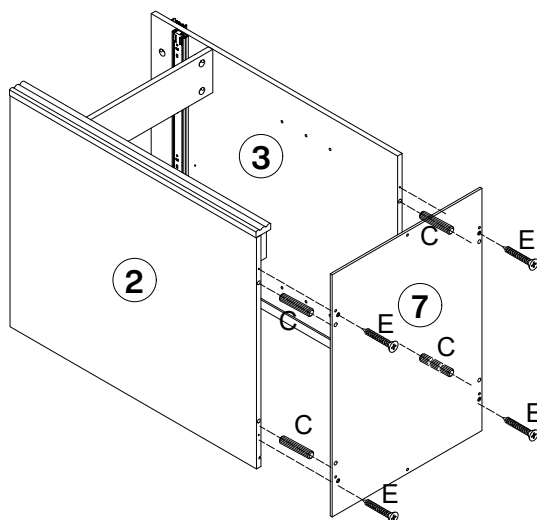
Ø15*9.5mm



As shown ,Connect part 2 & 3 to part 14, then insert the snap lock (B) into the hole on part 14 .and tighten by turning clockwise as shown.

19

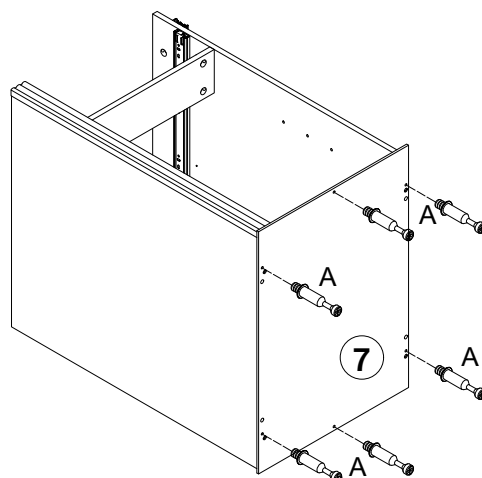
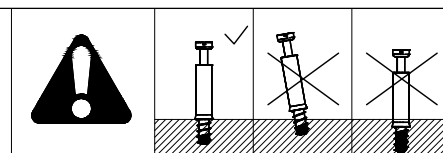
C x 4  Ø8*30mm	E x 4  Ø4*40mm	
-------------------------------------------------------------------------------------------------------	-------------------------------------------------------------------------------------------------------	--



As shown, connect part 7 to part 2 & 3 with wooden dowel (C) and fasten part 7 to part 2 & 3 with (E).

20

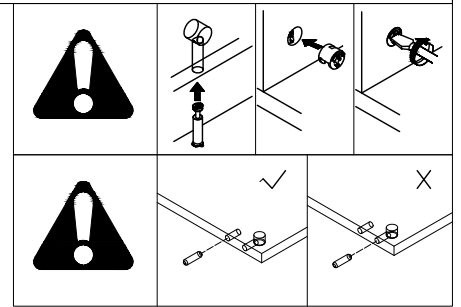
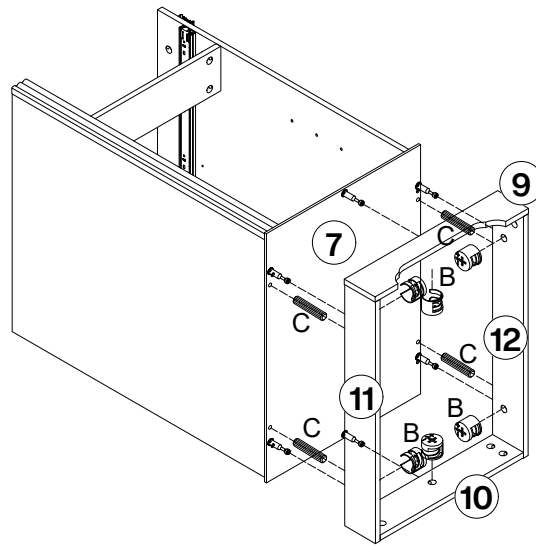
A x 6  M6*35mm	
---------------------------------------------------------------------------------------------------------	--



Tighten the screws(A) into the corresponding holes in part 8

21

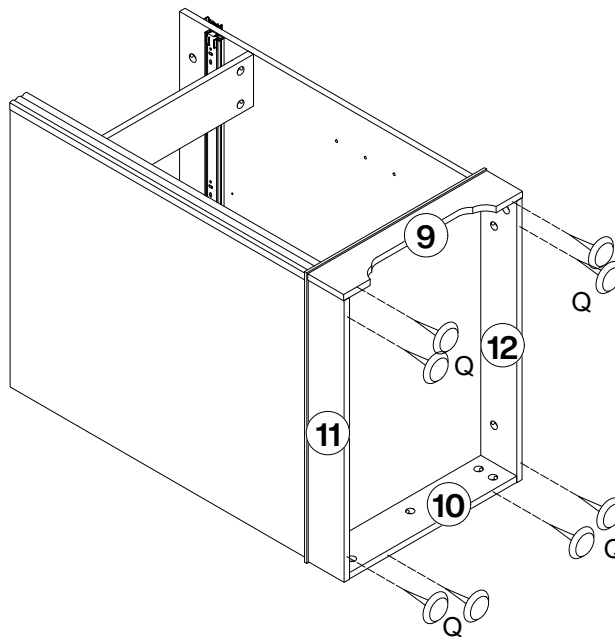
<p>B x 6</p>  <p>Ø15*9.5mm</p>	<p>C x 4</p>  <p>Ø8*30mm</p>	
-----------------------------------------------------------------------------------------------------------------	---------------------------------------------------------------------------------------------------------------	--



Insert the wooden dowel (C) into one side of part 11 & 12. Connect part 9 & 10 & 11 and part 12 to part 7, then insert the snap lock (B) into the hole on part 7 .and tighten by turning clockwise as shown.

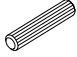

22

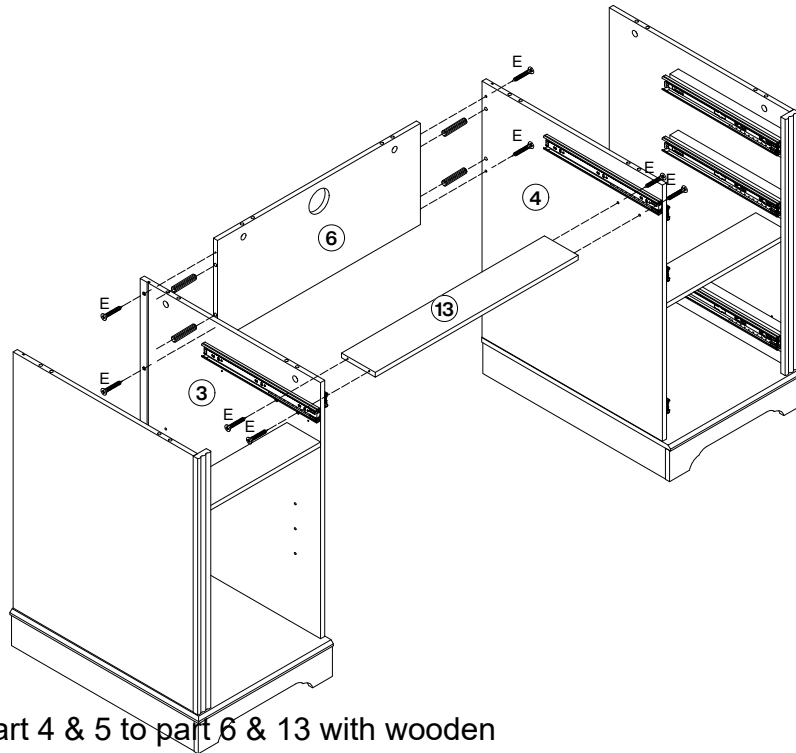
<p>Q x 8</p> 	
--------------------------------------------------------------------------------------------------	---------------------------------------------------------------------------------------



Hammer screw Q into the part 9 & 10 & 11 and part 12

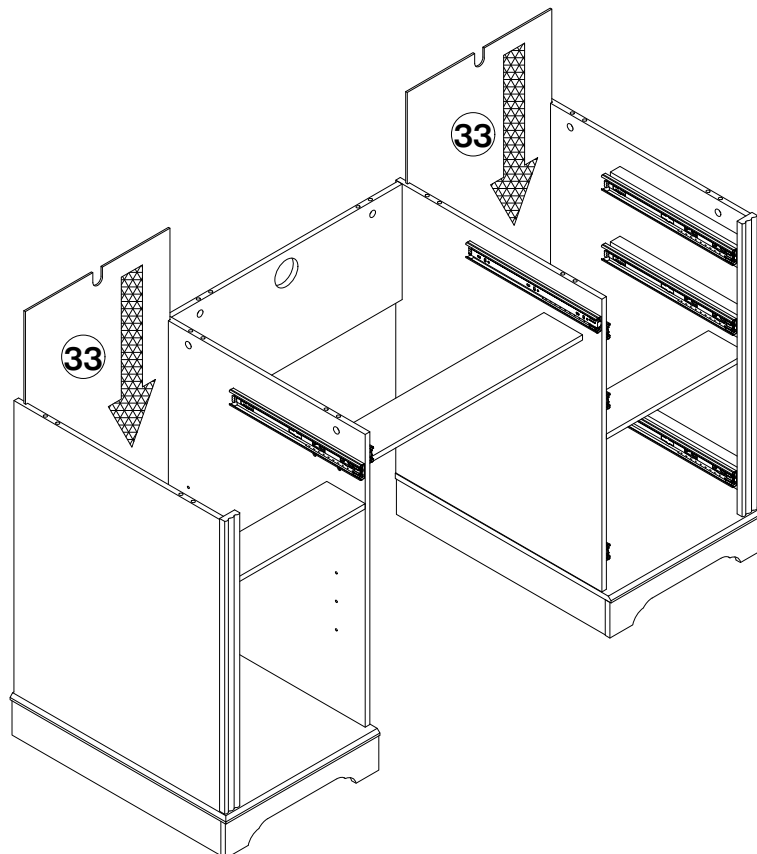
23

<p>C x 4</p>  <p>Ø8*30mm</p>	<p>E x 8</p>  <p>Ø4*40mm</p>	
---------------------------------------------------------------------------------------------------------------	---------------------------------------------------------------------------------------------------------------	--



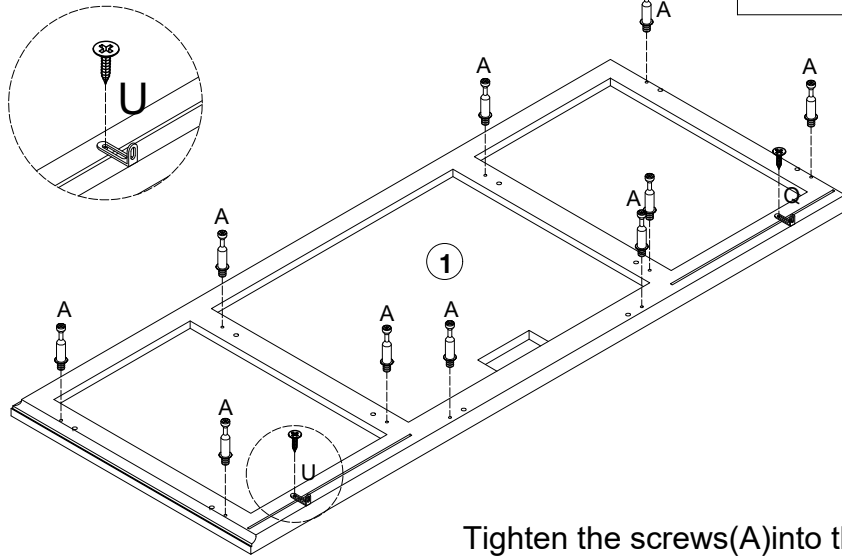
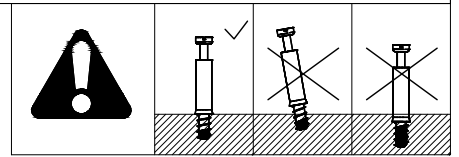
As shown, connect part 4 & 5 to part 6 & 13 with wooden dowel (C) and fasten part 4 & 5 to part 6 & 13 with (E).

24



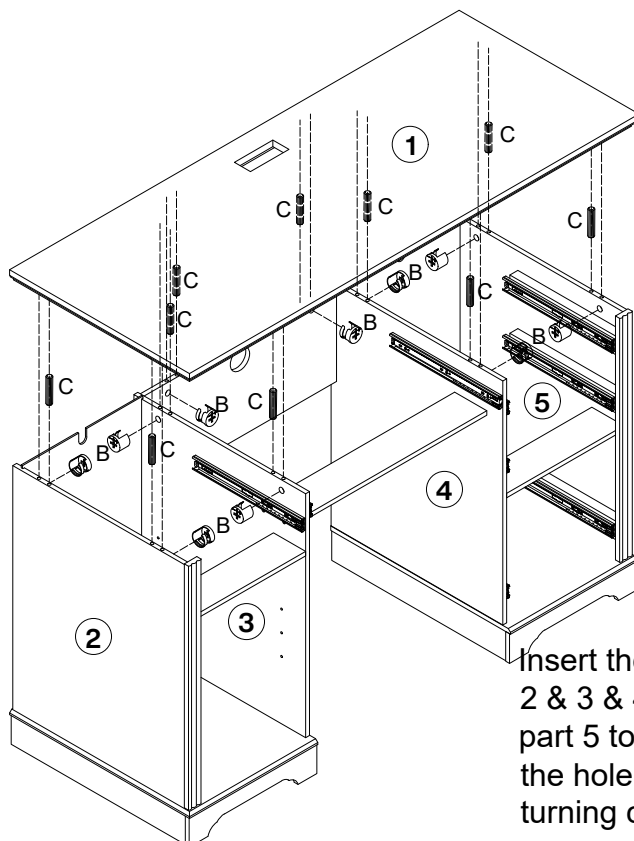
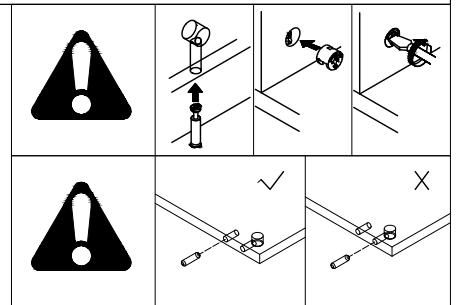
Slide back board 33 along available grooves as shown.

25



Tighten the screws(A) into the corresponding holes in part 1.
As shown in the picture, fix the Iron sheets (Q) to the part 1.

26



Insert the wooden dowel (C) into one side of part 2 & 3 & 4 and 5. Connect part 2 & 3 & 4 and part 5 to part 1, then insert the snap lock (B) into the hole on part 2 & 3 & 4 and 5 .and tighten by turning clockwise as shown.

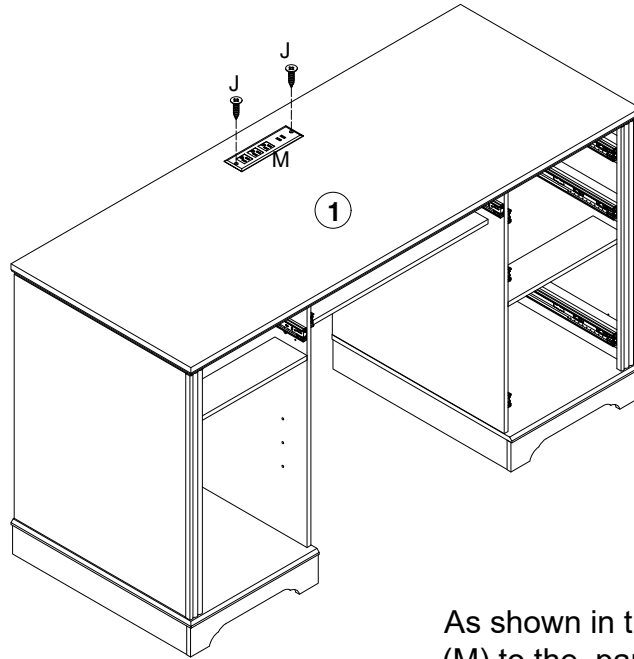
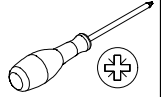
27

J x 2



Ø3*16mm

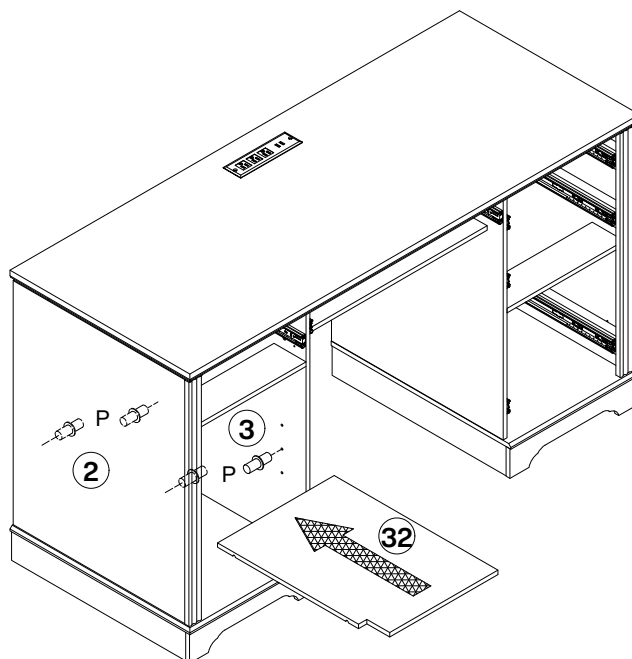
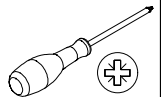
M x 1



As shown in the picture, fix the fitting (M) to the part 1 with the screw (J).


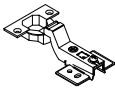


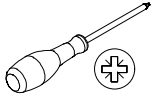
28

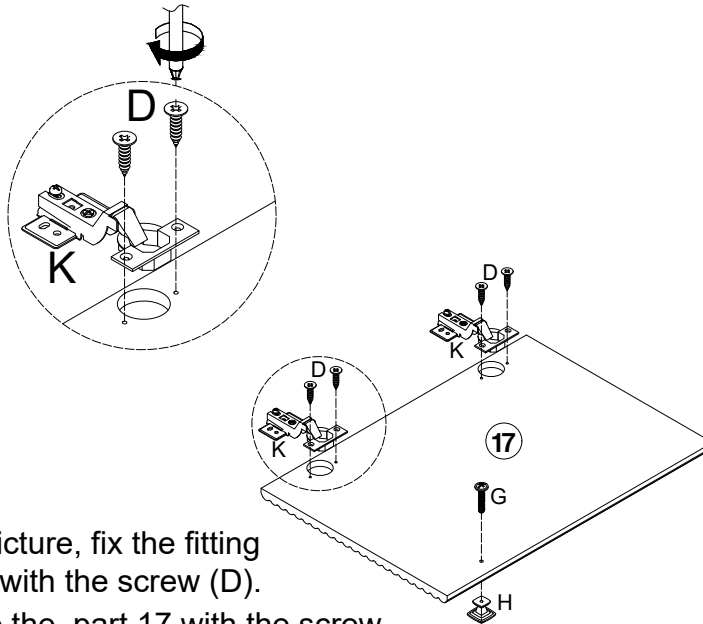
P x 4



Tighten the screws(P) into the corresponding holes in part 2 & 3, And then put part 32 on it

29

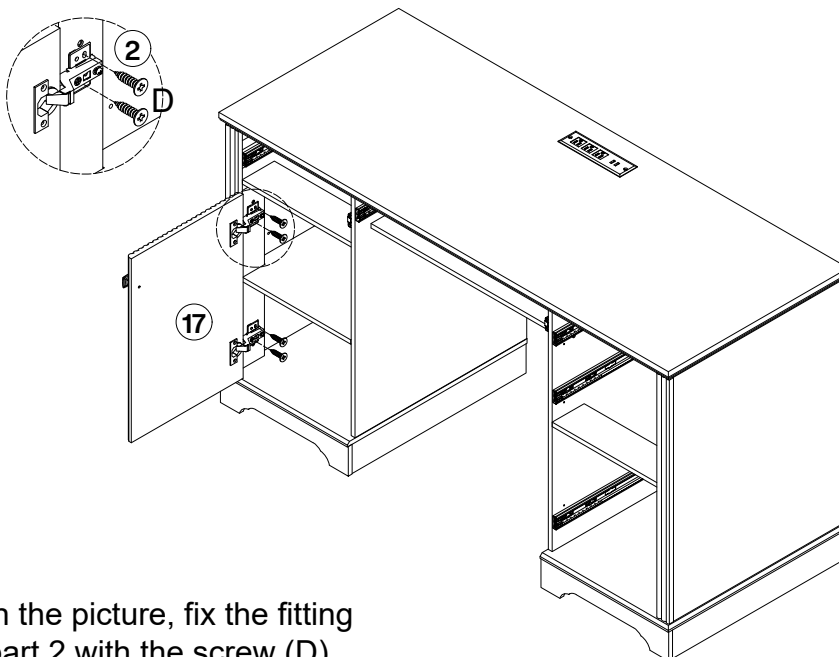
D x 4  Ø3.5*12mm	K x 2 	G x 1  M4*20mm	H x 1 		
---------------------------------------------------------------------------------------------------------	--------------------------------------------------------------------------------------------	-------------------------------------------------------------------------------------------------------	--------------------------------------------------------------------------------------------	--	-------------------------------------------------------------------------------------



As shown in the picture, fix the fitting (K) to the part 17 with the screw (D).
fix the fitting (H) to the part 17 with the screw (G).

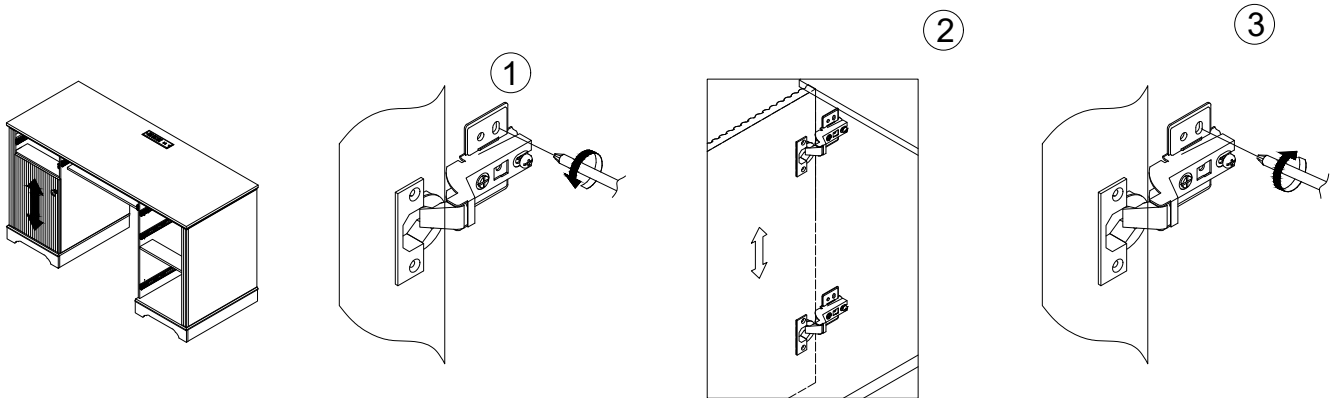
30

D x 4  Ø3.5*12mm					
-----------------------------------------------------------------------------------------------------------	--	--	--	--	---------------------------------------------------------------------------------------

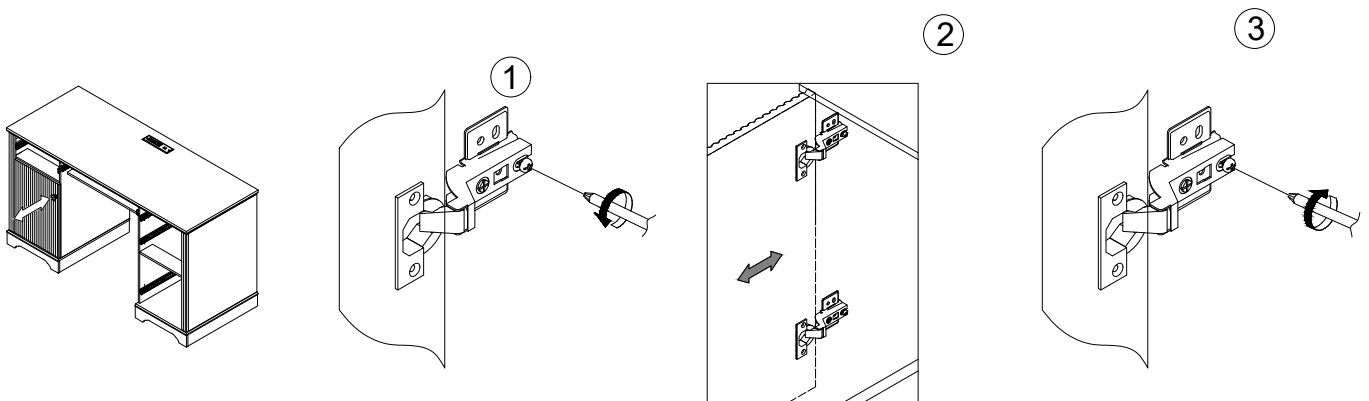


As shown in the picture, fix the fitting (K) to the part 2 with the screw (D).

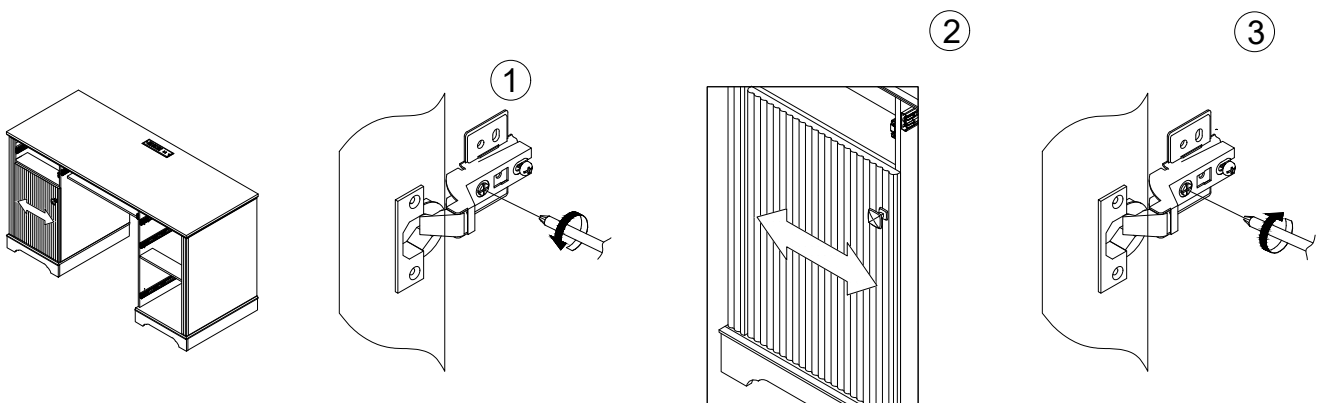
When the clearance of the door is uneven, adjust the cabinet door according to the figure. If you still have trouble adjusting the door, please contact us.



Up and down adjustment by loosening the screw on the mounting plate.



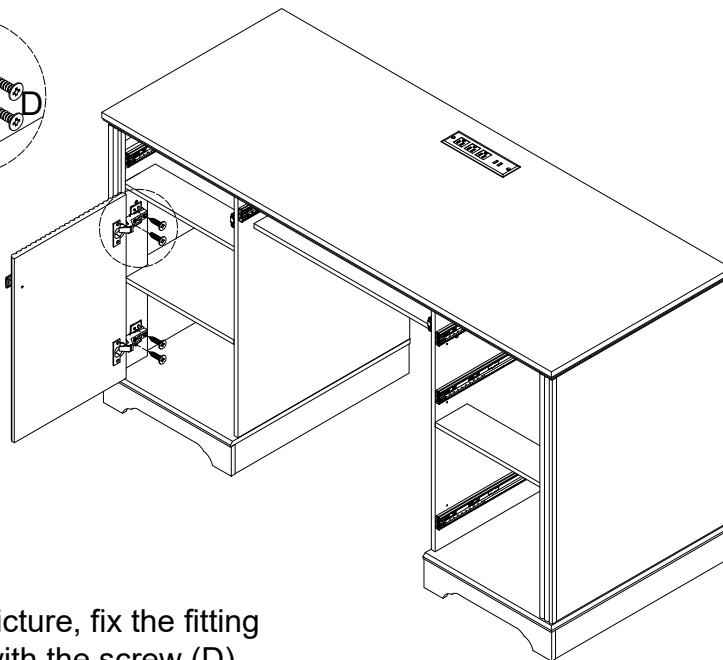
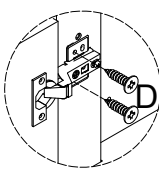
In-and-out adjustment by loosening the screws on the hinge arm.



Side-to-side adjustment using the front adjustment screw on the hinge.

31

D x 4  Ø3.5*12mm		
---------------------------------------------------------------------------------------------------------	--	-------------------------------------------------------------------------------------

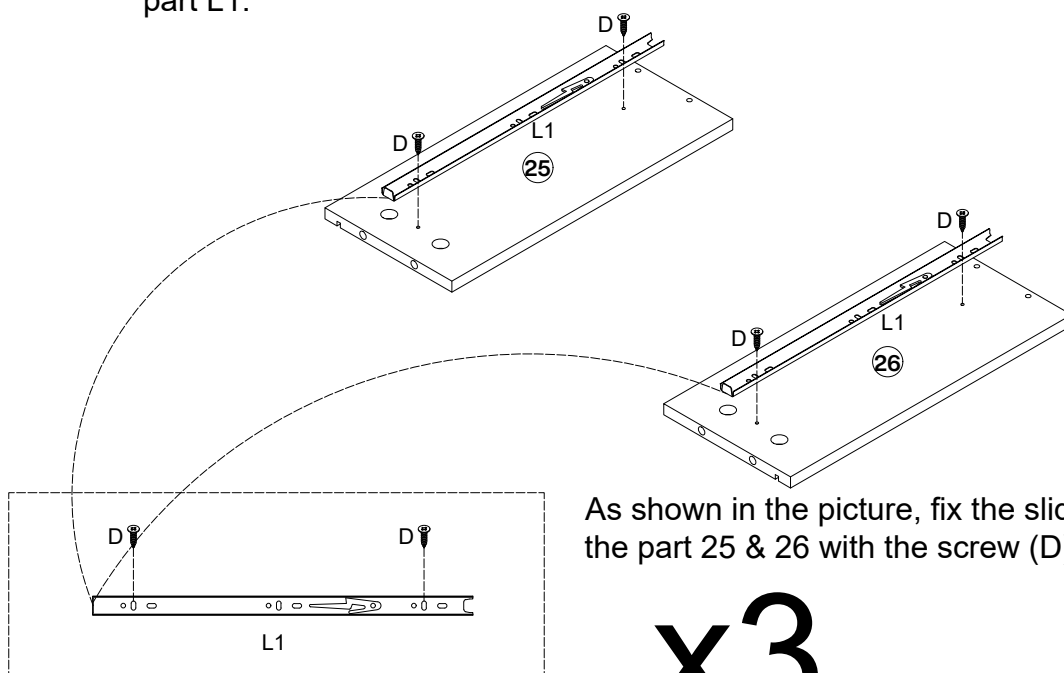


As shown in the picture, fix the fitting (K) to the part 2 with the screw (D).

32

D x 12  Ø3.5*12mm	L x 3 L1 L1 14"	
------------------------------------------------------------------------------------------------------------	--------------------------	---------------------------------------------------------------------------------------

Attention:
Please locate the holes from the back of part L1.



As shown in the picture, fix the slide rail (L1) to the part 25 & 26 with the screw (D).

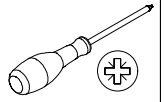
x3

33

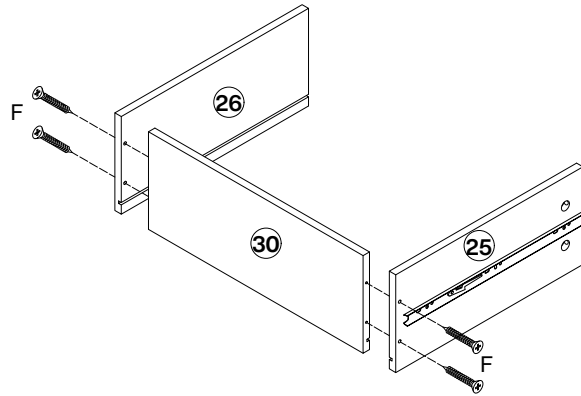
F x 12



Ø4*30mm

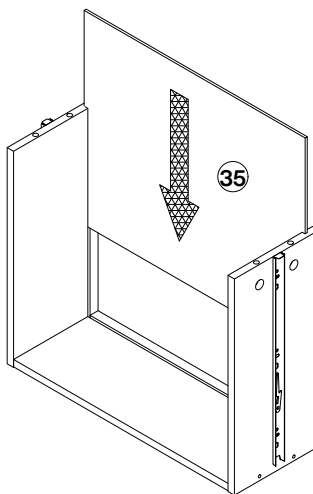


As shown, fasten part 25 & 26 to part 30 with (F).



x3

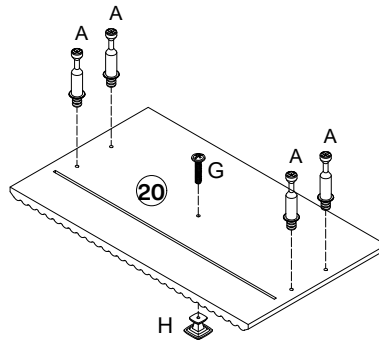
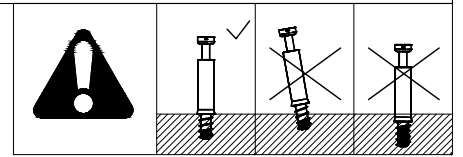
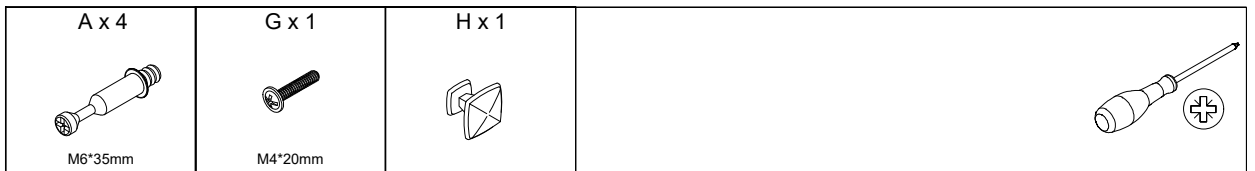
34



Slide back board 35 along available grooves as shown.

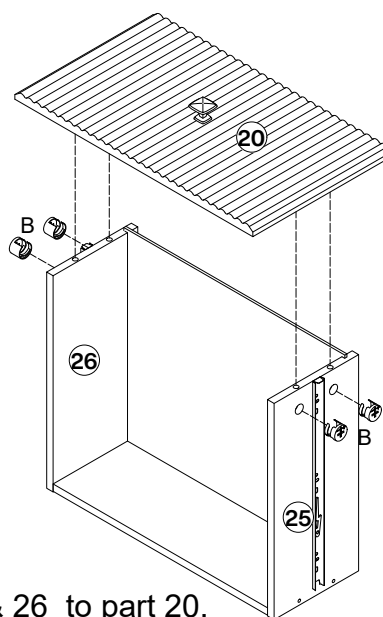
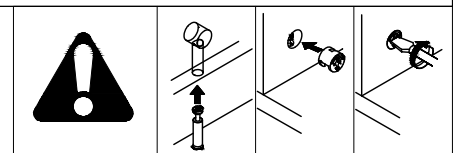
x2

35



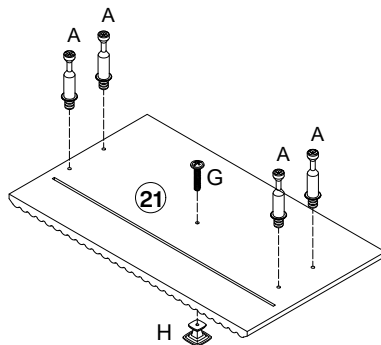
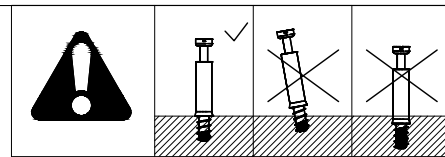
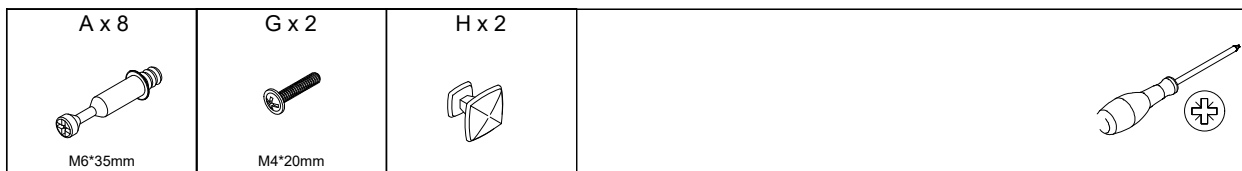
Tighten the screws(A)into the corresponding holes in part 20
fix the fitting (H) to the part 20 with the screw (G).

36



As shown ,Connect part 25 & 26 to part 20,
then insert the snap lock (B) into the hole on part
25 & 26 .and tighten by turning clockwise as
shown.

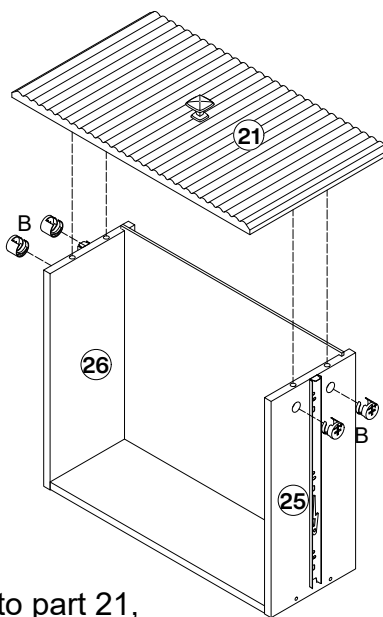
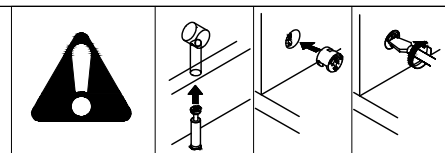
37



Tighten the screws(A)into the corresponding holes in part 21
fix the fitting (H) to the part 21 with the screw (G).

x2




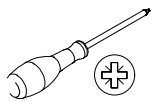
38



As shown ,Connect part 25 & 26 to part 21,
then insert the snap lock (B) into the hole on part
25 & 26 .and tighten by turning clockwise as
shown.

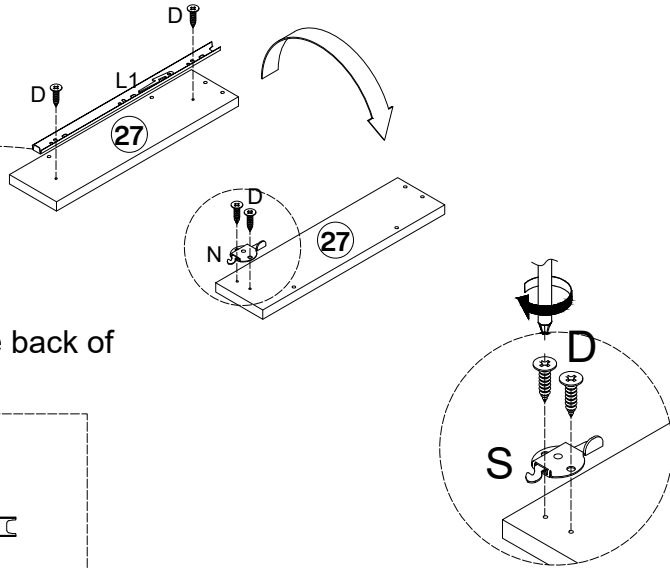
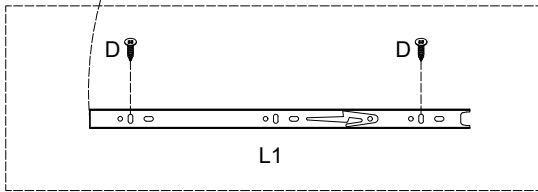
x2

39

D x 4  Ø3.5*12mm	L x 1  14"	S x 1 	
---------------------------------------------------------------------------------------------------------	---------------------------------------------------------------------------------------------------	--------------------------------------------------------------------------------------------	-------------------------------------------------------------------------------------

As shown in the picture, fix the slide rail (L1) to the part 23 & 24 with the screw (D).

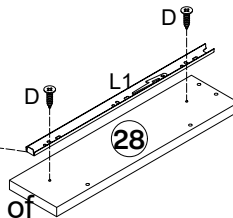
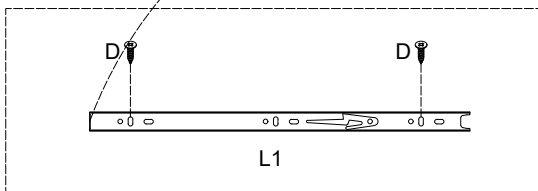
Attention:
Please locate the holes from the back of part L1



40

D x 2  Ø3.5*12mm	L x 1  14"	
-----------------------------------------------------------------------------------------------------------	-----------------------------------------------------------------------------------------------------	--

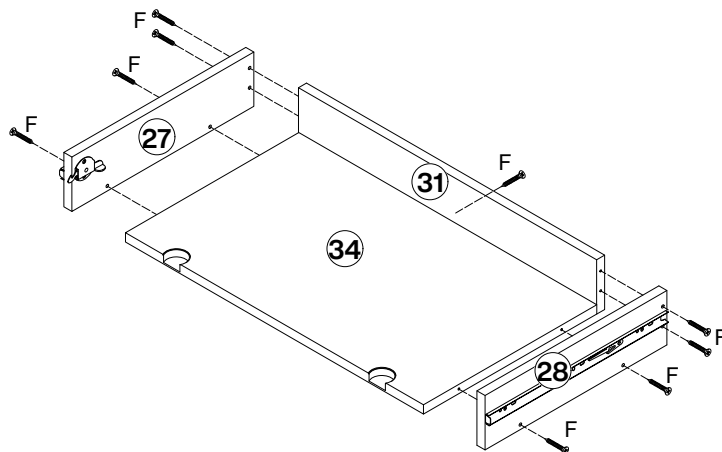
Attention:
Please locate the holes from the back of part L1



As shown in the picture, fix the slide rail (L1) to the part 28 with the screw (D).




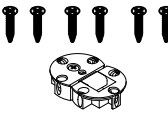

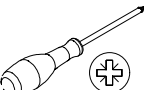
41

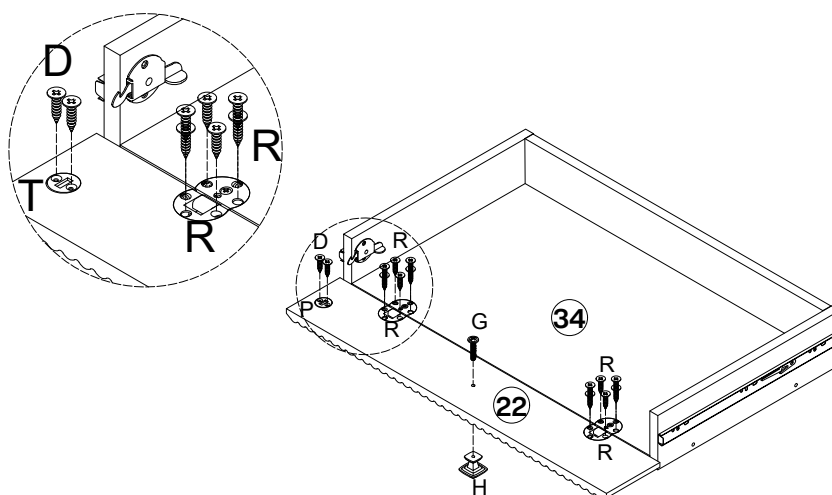
F x 9  Ø4*30mm	
-------------------------------------------------------------------------------------------------------	-------------------------------------------------------------------------------------



As shown, connect part 27 & 28 & 31 to part 34 with (F).

42

D x 2  Ø3.5*12mm	G x 1  M4*20mm	H x 1 	R x 2 	T x 1 	
-----------------------------------------------------------------------------------------------------------	---------------------------------------------------------------------------------------------------------	----------------------------------------------------------------------------------------------	-----------------------------------------------------------------------------------------------	------------------------------------------------------------------------------------------------	---------------------------------------------------------------------------------------



fix the fitting (R) to the part 22 & 34 with the screw (D).

fix the fitting (T) to the part 22 with the screw (D).

fix the fitting (H) to the part 22 with the screw (G).

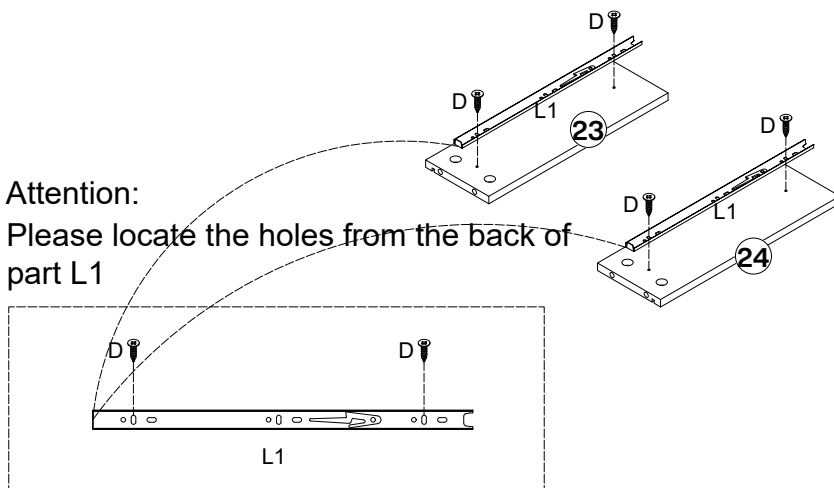
43



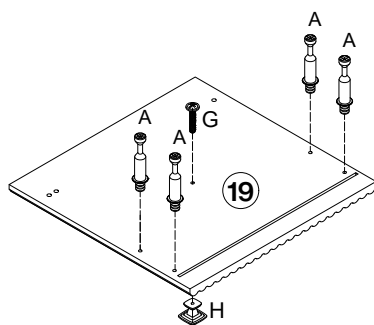
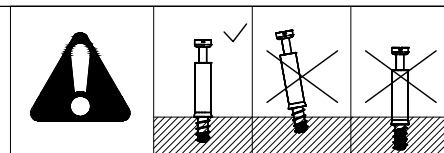
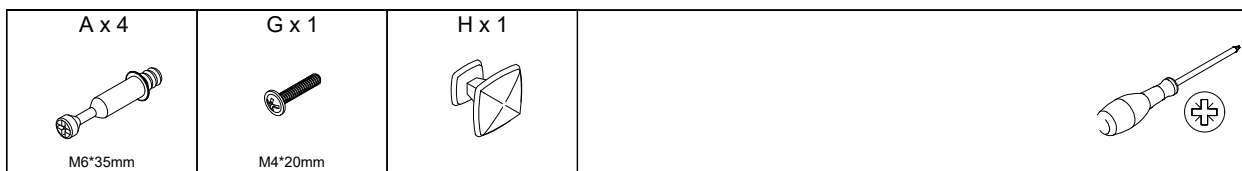
As shown in the picture, fix the slide rail (L1) to the part 23 & 24 with the screw (D).

Attention:

Please locate the holes from the back of part L1



44



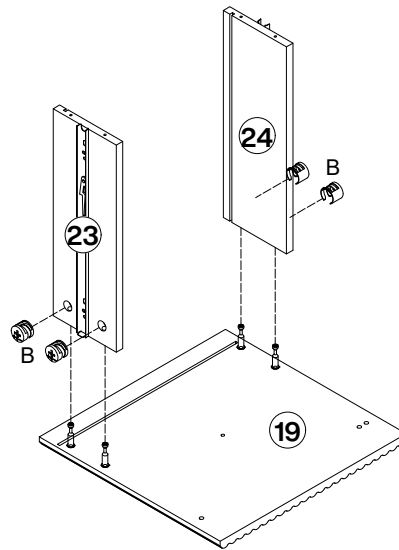
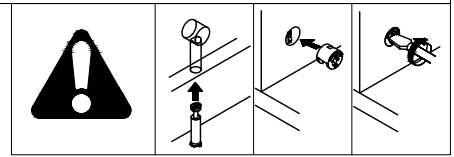
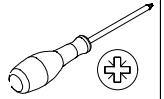
Tighten the screws(A) into the corresponding holes in part 19
fix the fitting (H) to the part 19 with the screw (G).

45

B x 4

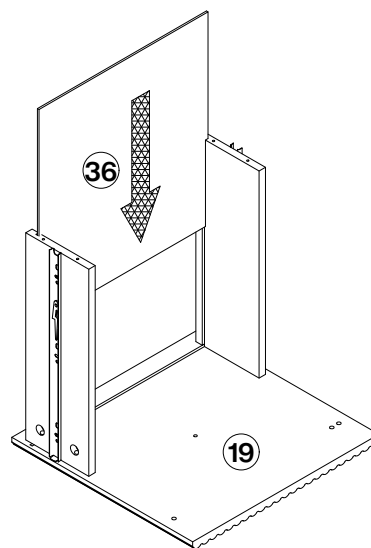


Ø15*9.5mm



As shown ,Connect part 23 & 24 to part 19, then insert the snap lock (B) into the hole on part 23 & 24 .and tighten by turning clockwise as shown.

46



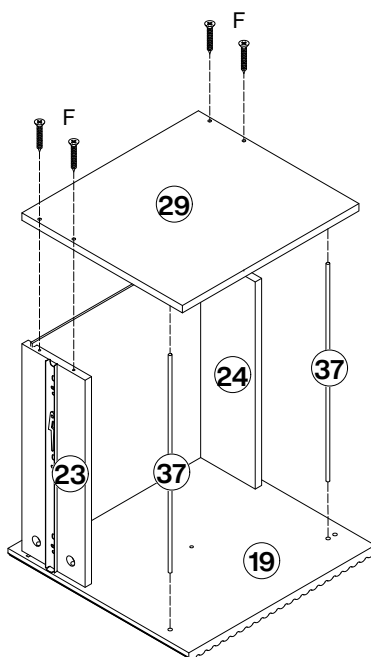
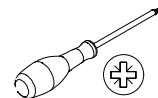
Slide back board 36 along available grooves as shown.

47

F x 4



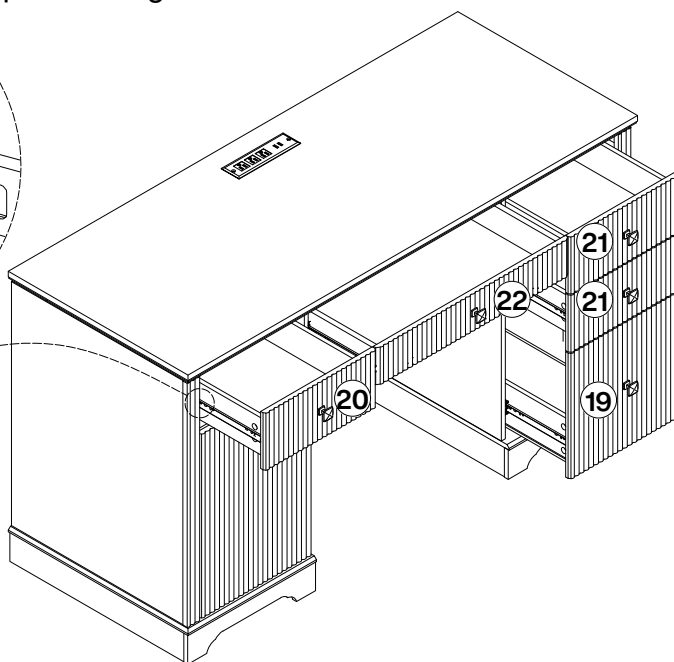
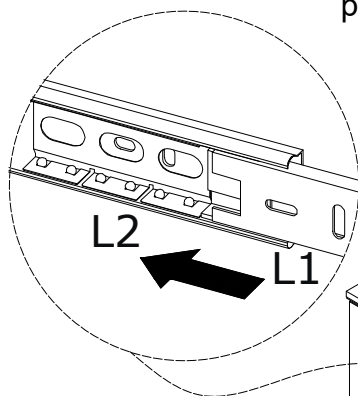
Ø4*30mm



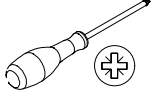
As shown, connect part 25 & 26 to part 30 with (F).

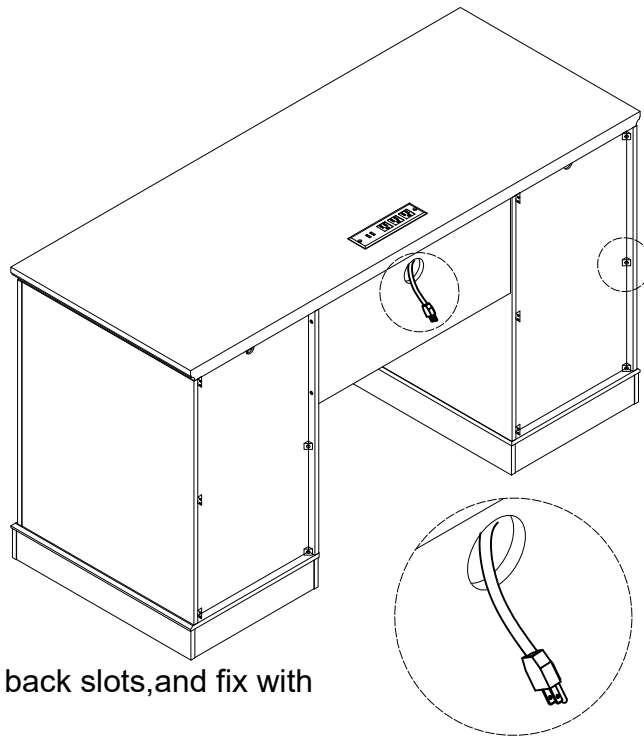
48

As shown in the figure, insert the slide rail L1 into the slide rail L2, and slide the Drawer into place along the direction



49

J x 12  Ø3*16mm	N x 12 	
--------------------------------------------------------------------------------------------------------	---------------------------------------------------------------------------------------------	-------------------------------------------------------------------------------------

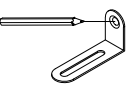
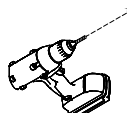
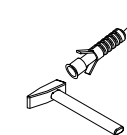


Insert buckle(N) into back slots, and fix with screw(J) as shown.

50

U x 2 	
----------------------------------------------------------------------------------------------	---------------------------------------------------------------------------------------

Attach wall anchors to the wall as shown for safety and stability.

- 
- 
- 
- 