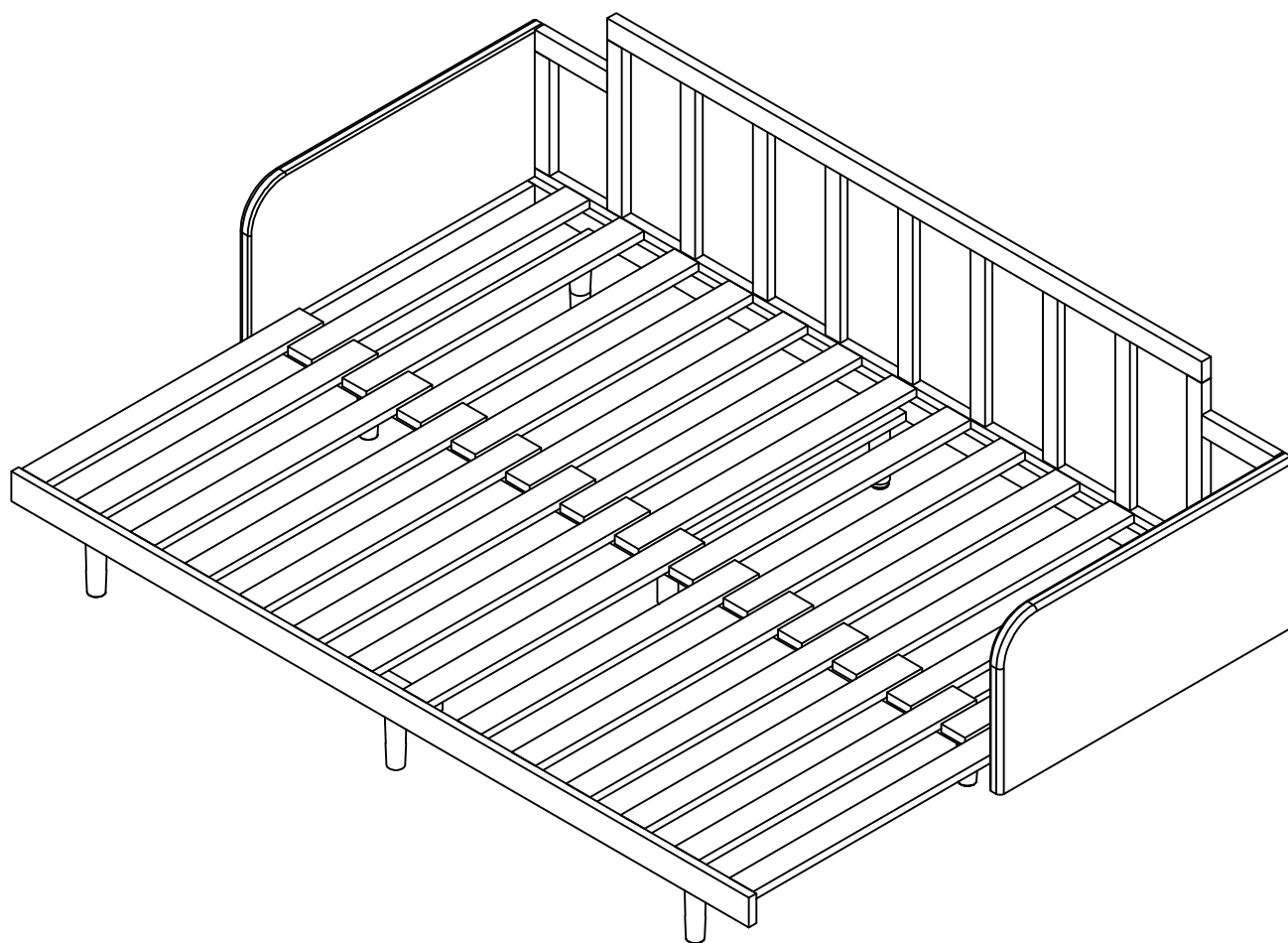
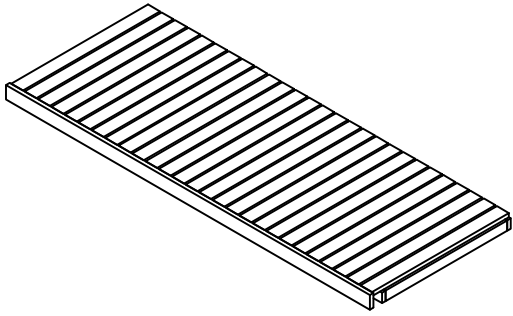
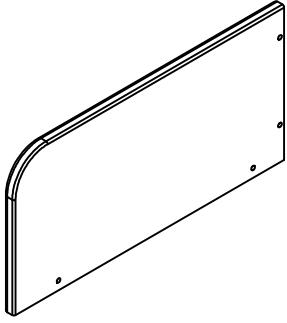
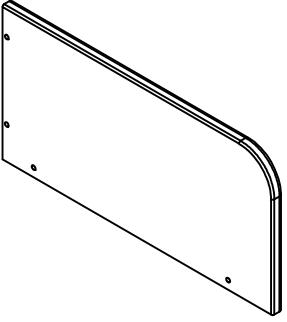
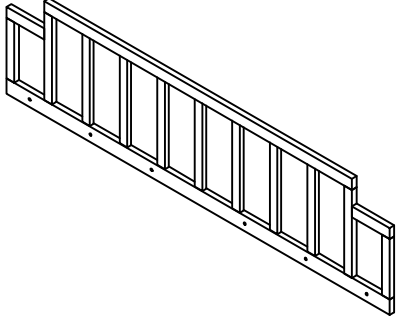
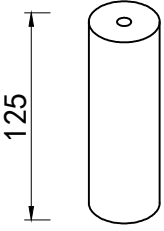
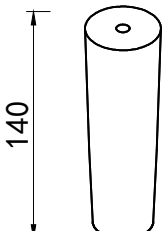
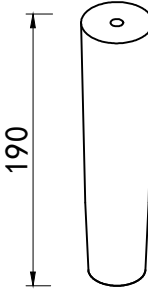
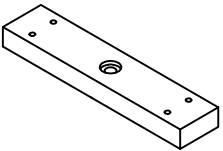



# Assembly Guide

## Sofa

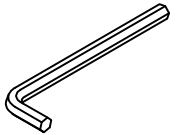
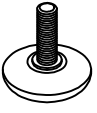
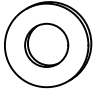
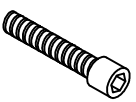
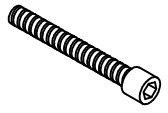
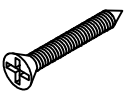
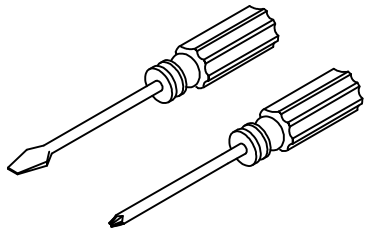


# PARTS LIST

			
base frame =1	left side panel=1		
			
right side panel=1	back panel =1		
			
middle feet =2	rear feet (140mm) =4	front feet (190mm)=2	front foot pad =1
			
middle foot (170mm)=1			

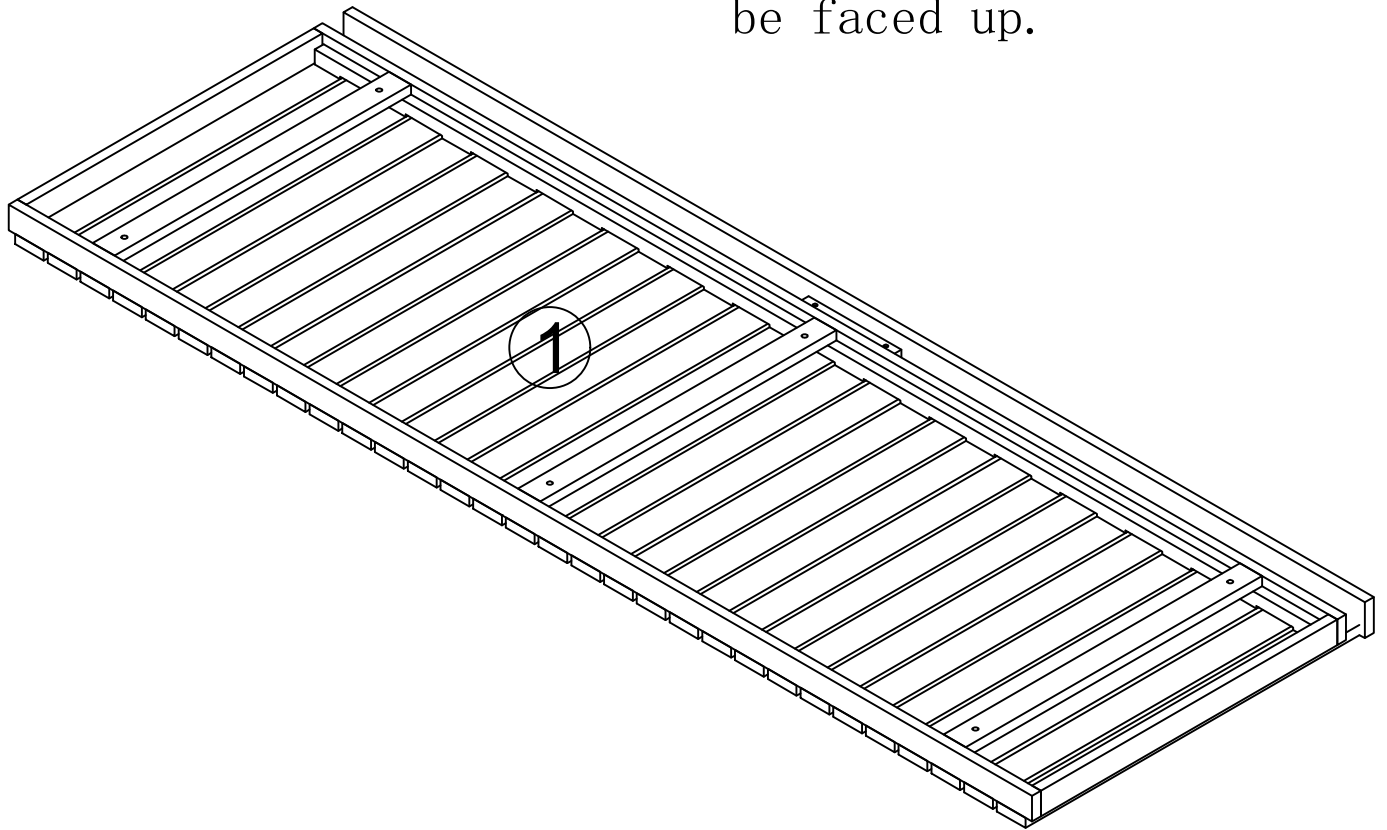
Tips: Do not throw away packing materials until assembly is complete for small parts may come loose inside the carton during shipment. If parts are missing, please contact us. Assemble this item on a soft surface, such as carpet to protect the finish.

# HARDWARE LIST

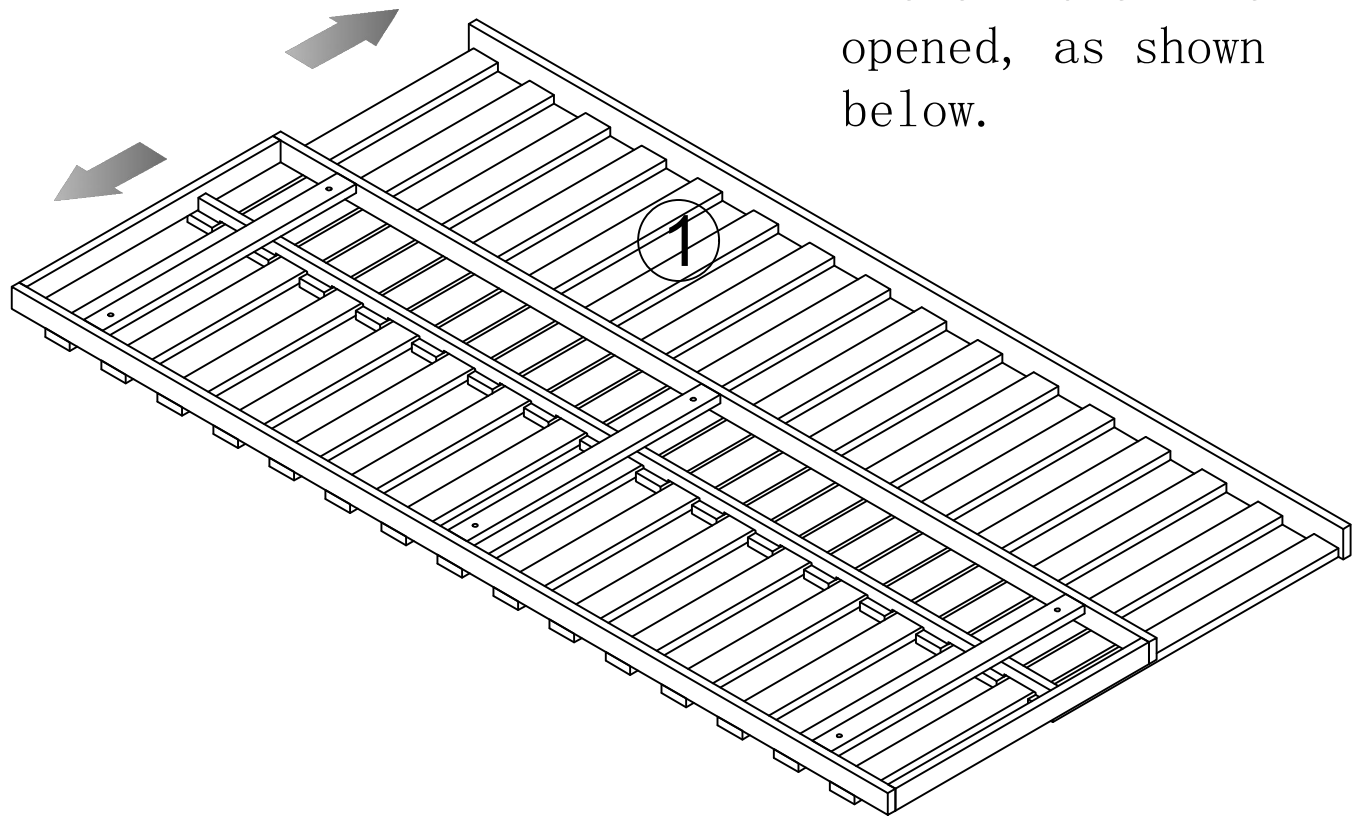
<p><b>A</b></p> 	<p><b>B</b></p> 	<p><b>C</b></p> 	<p><b>D</b></p> 	<p><b>E</b></p> 
<p>6mm hexagonal socket key =1</p>	<p>M8 adjusting foot nails =2</p>	<p>M8 gaskets =21</p>	<p>M8*30 hexagonal socket rods =19</p>	<p>M8*40 hexagonal socket rods =4</p>
<p><b>F</b></p> 	 <p style="text-align: center;">phillips head screw driver required for assemble---not include</p>			
<p>4*30 self-tapping screws =4</p>				

## Step 1

The back side should be faced up.

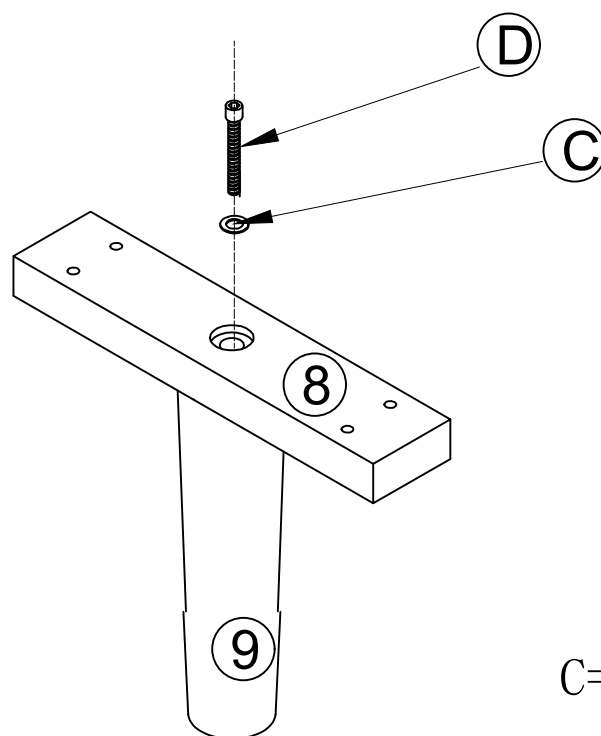


## Step 2



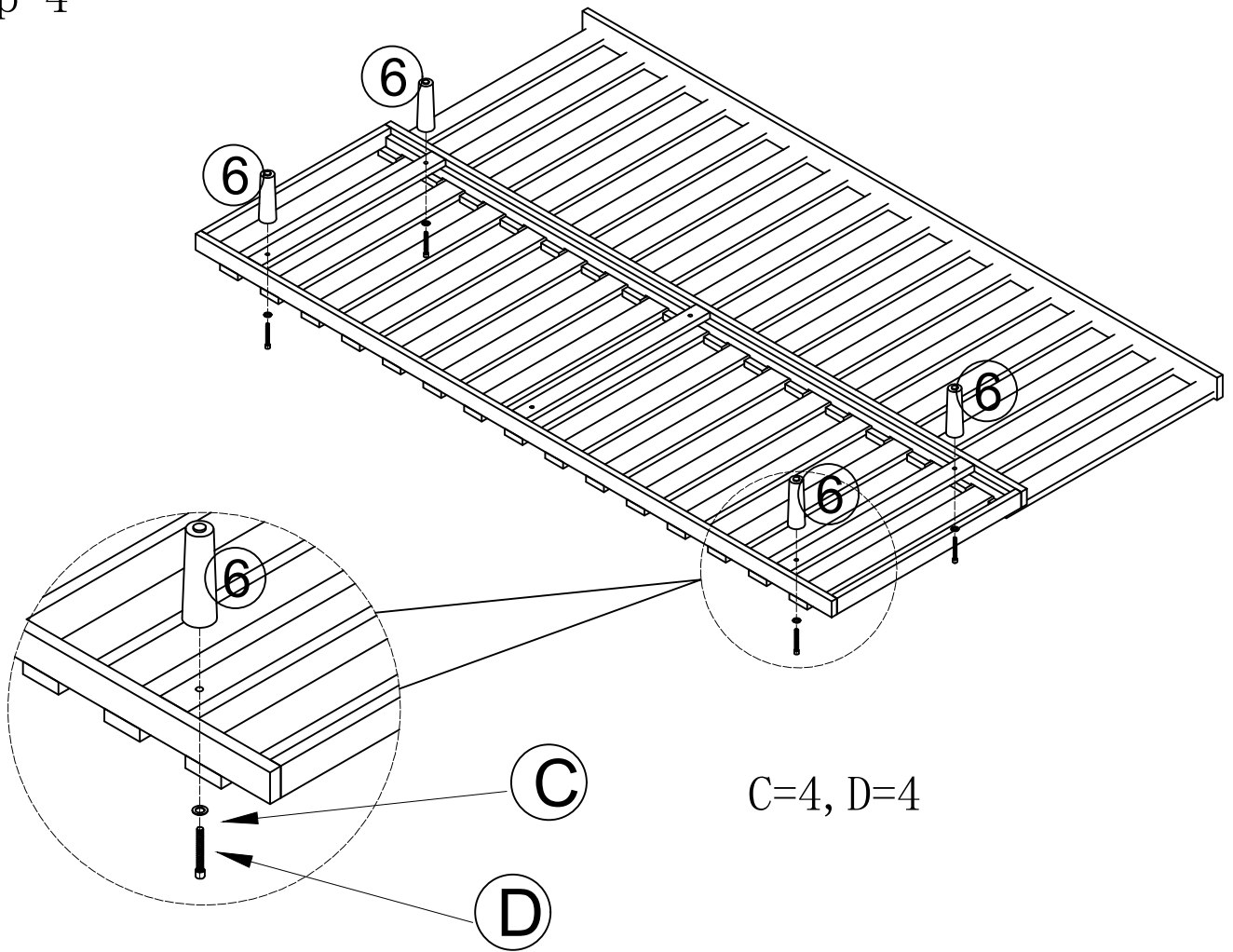
These two can be opened, as shown below.

## Step 3

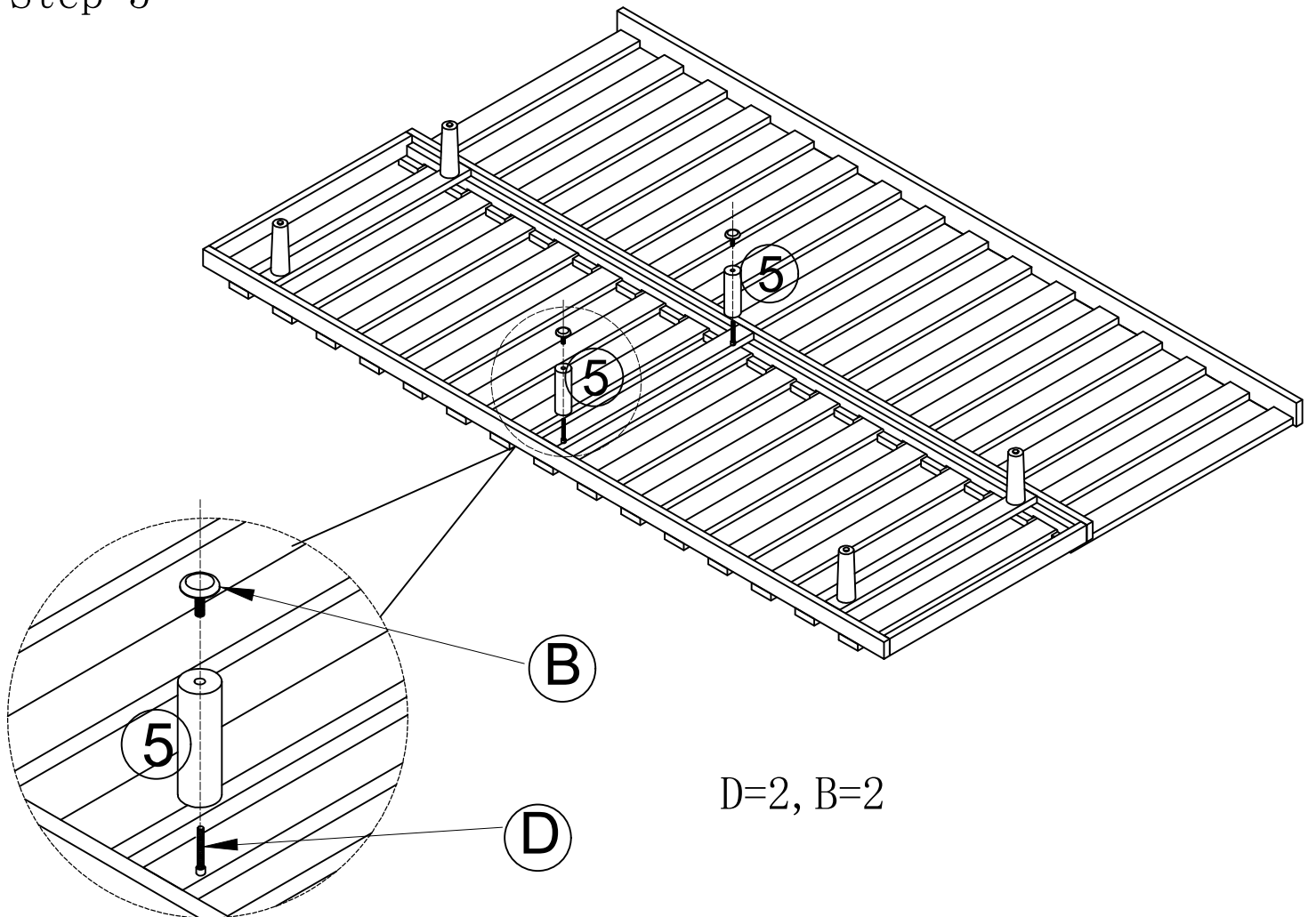


C=1, D=1

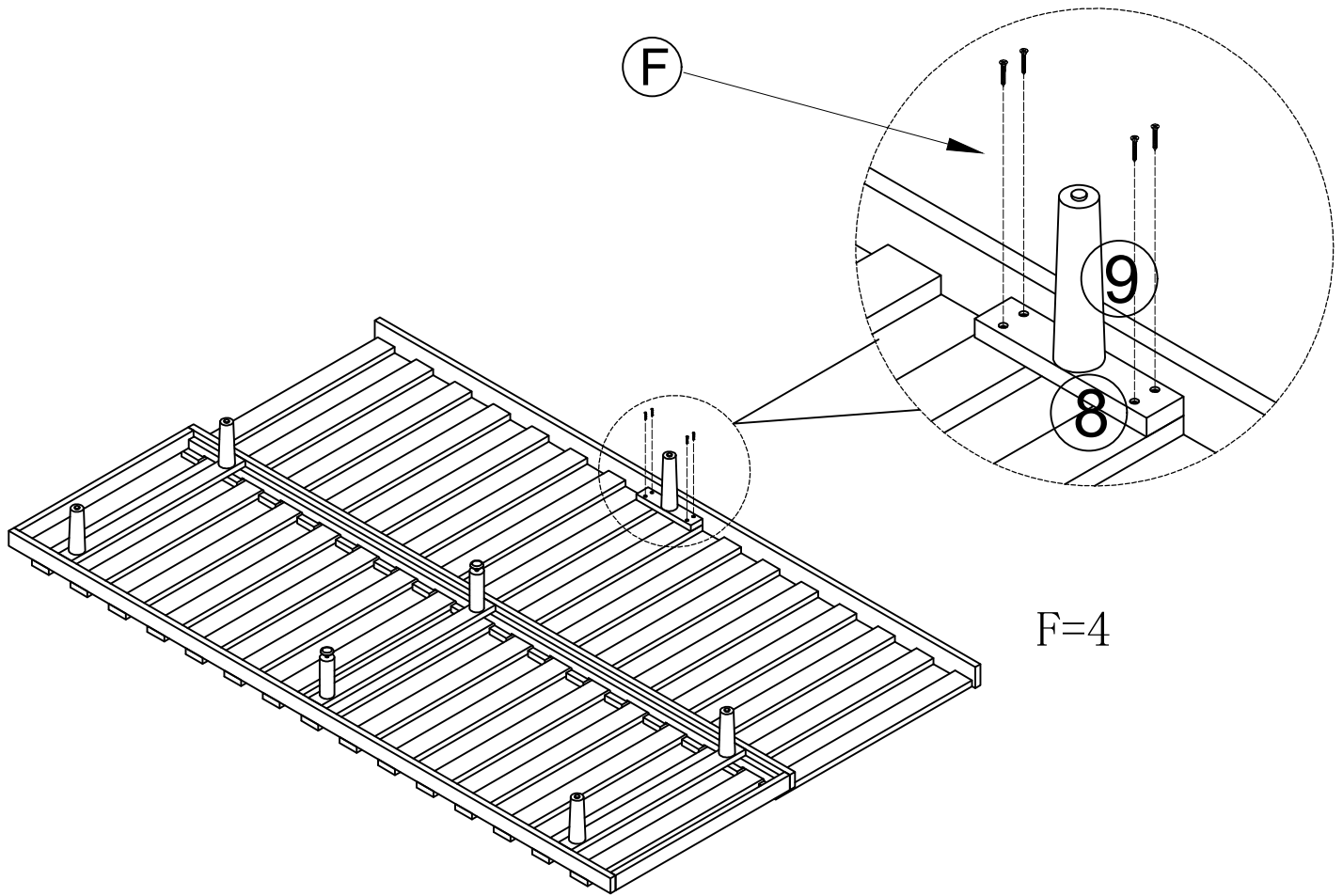
# Step 4



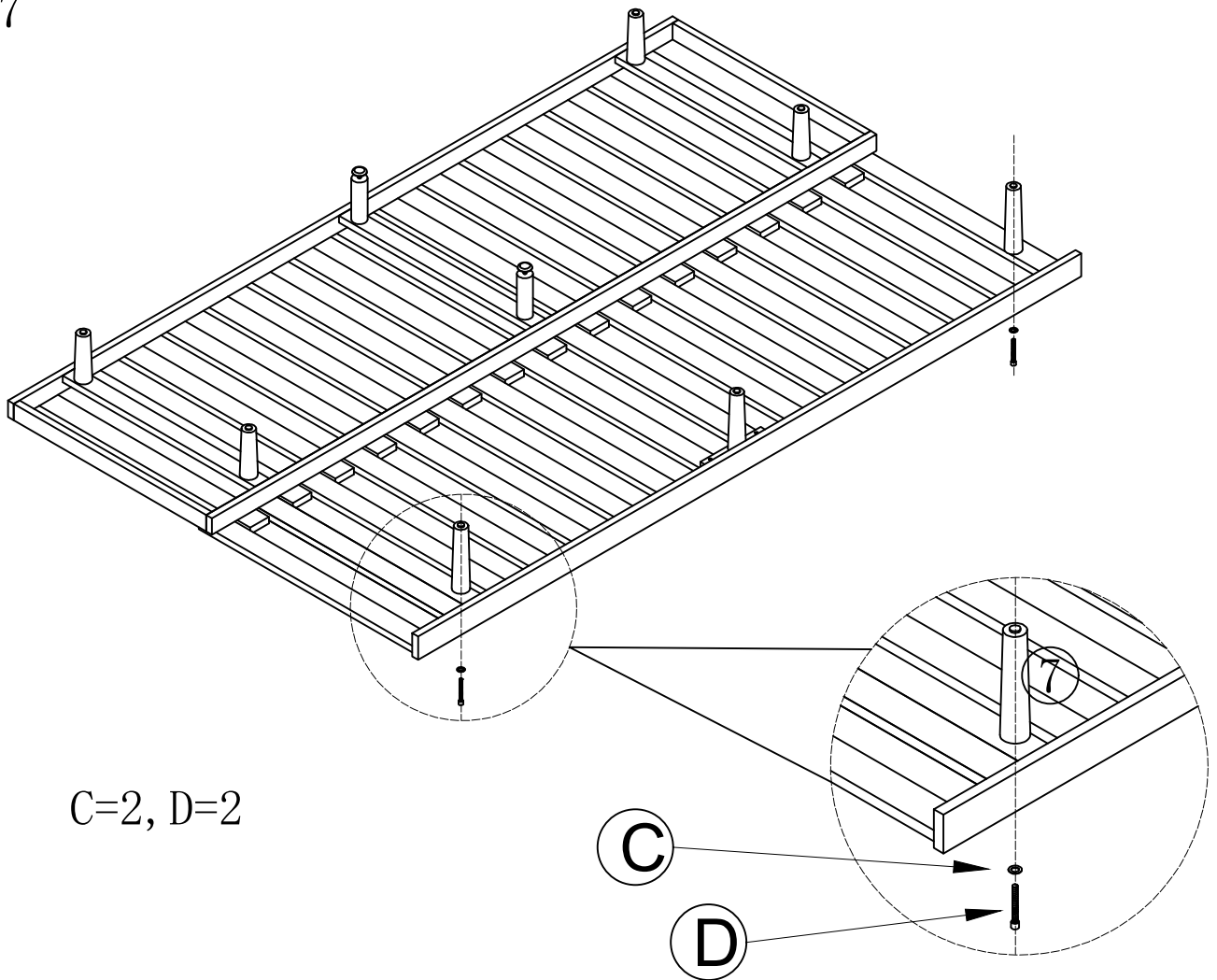
# Step 5



# Step 6

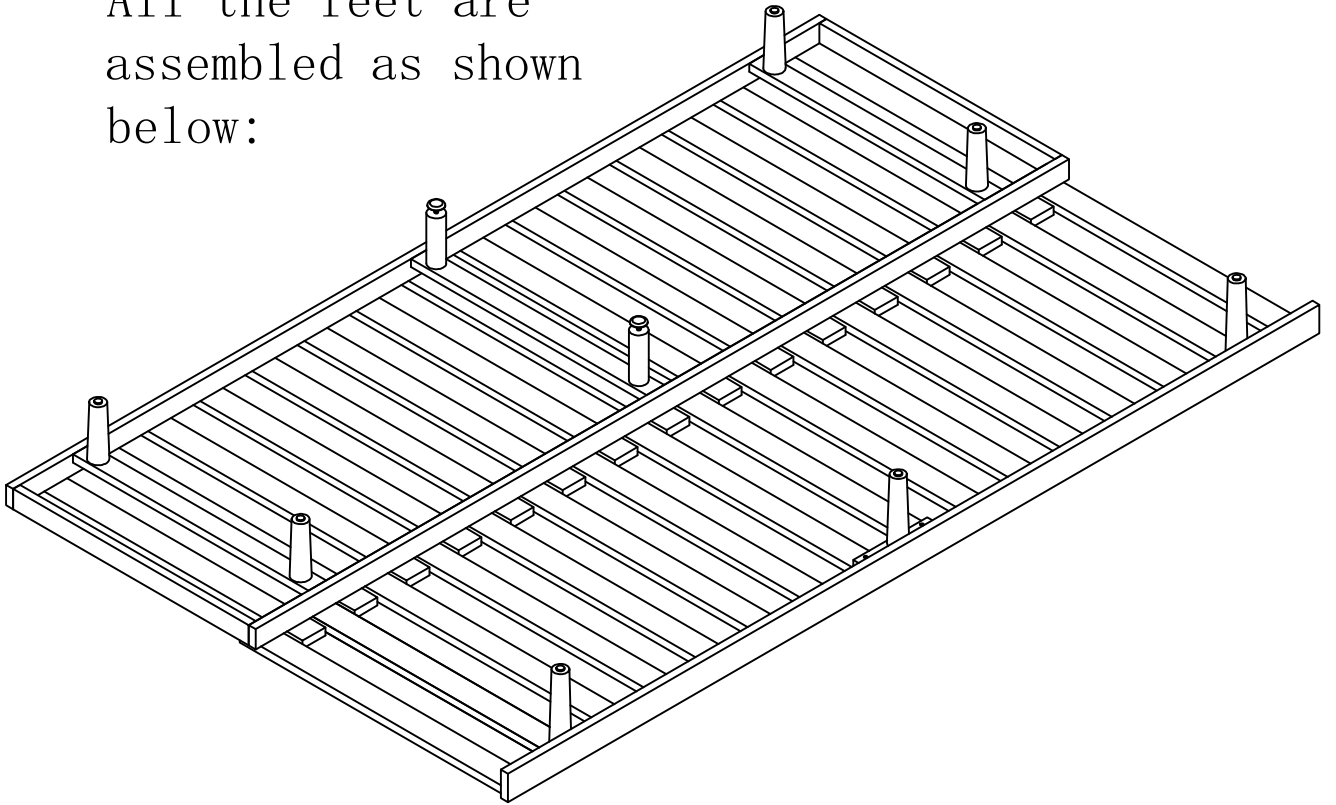


# Step 7

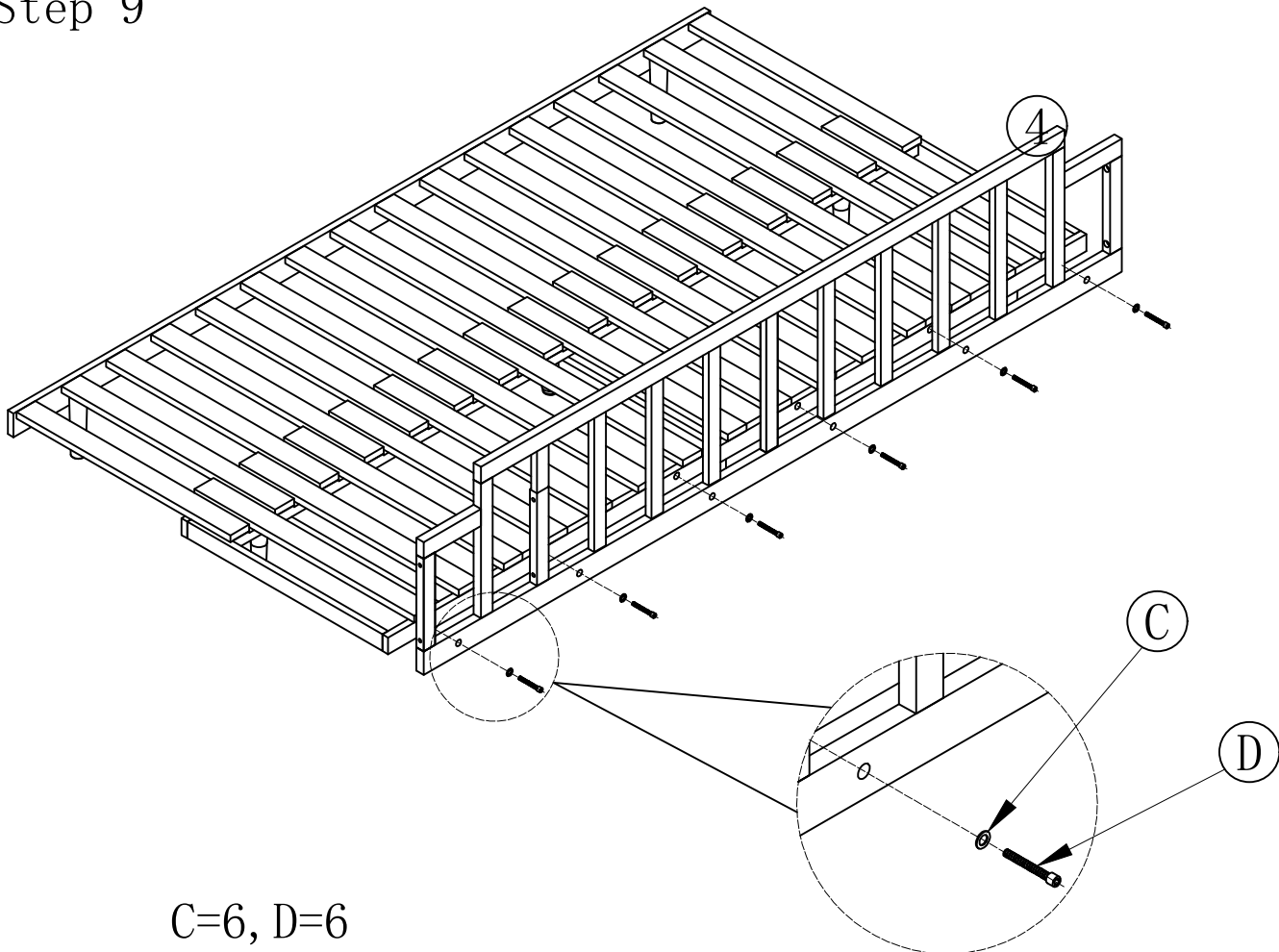


# Step 8

All the feet are assembled as shown below:



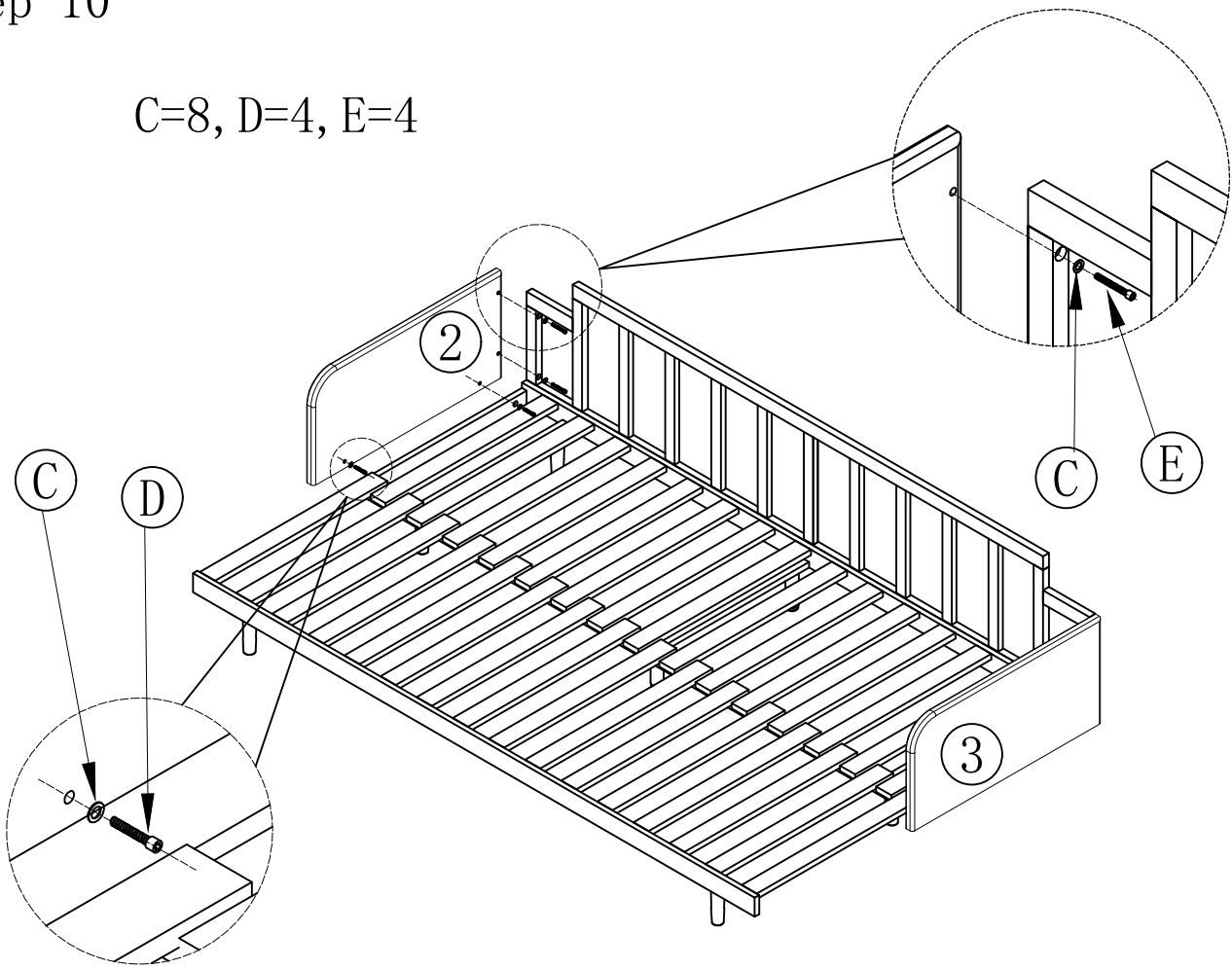
# Step 9



C=6, D=6

# Step 10

C=8, D=4, E=4



# Step 11

