

Important:

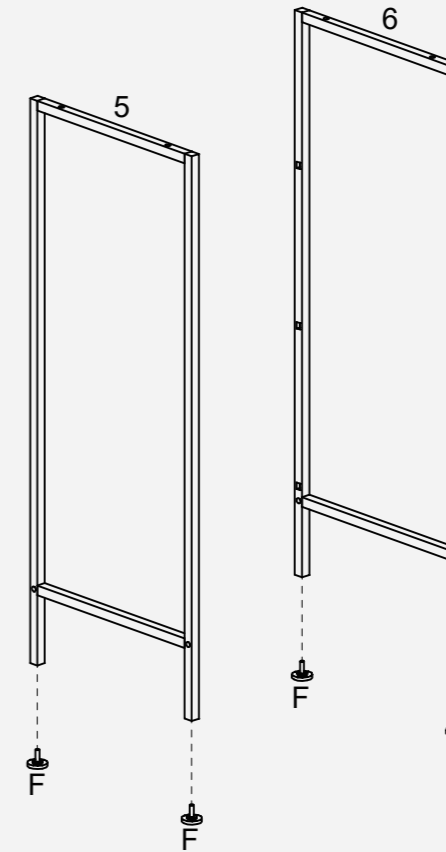
1. It is recommended that customers use an electric screwdriver to install, it will be easy to assemble.
2. The metal frames have certain degrees of elasticity. Please DO NOT over tighten the screws during assembly. An over tightened screw can cause bent metal frame.
3. For a smooth assembly process, we suggest you keep a little tighter for all the screws during assembly, after the whole dresser is assembled, firmly tightening all the screws.

Parts:

1 X1	2 X1	3 X1	4 X1	5 X1
6 X1	7 X2	8 X1	9 X1	10 X1
11 X1	12 X1	13 X4	14 X1	15 X1
16 X9	17 X3			
A M6X8 X12	B M6X23 X20	C M5X40 X12	D M4X10 X21	E M4X12 X2
F M6 X4	G X9	H X3	J X2 X2 X2 X2 X1	L X9
R X9	M4 M4	M3 M3		

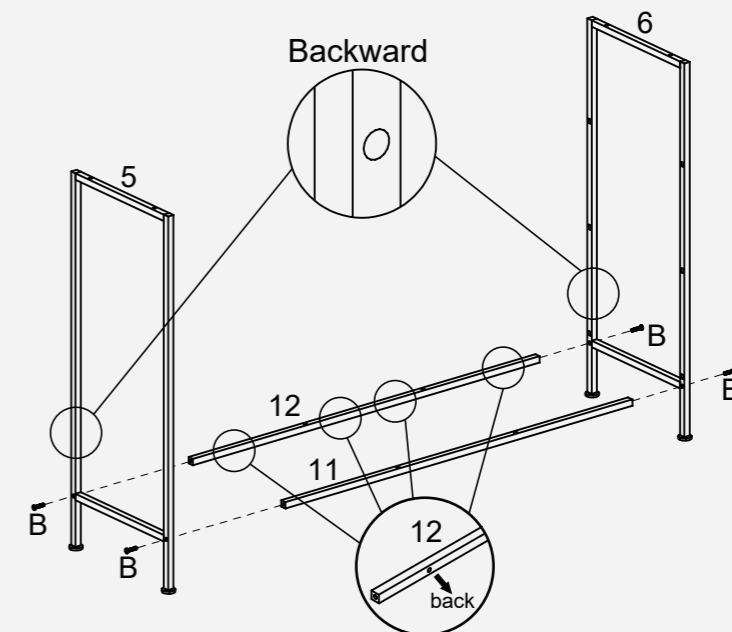
Assembly Instruction:

STEP1



F M6 X4

STEP2

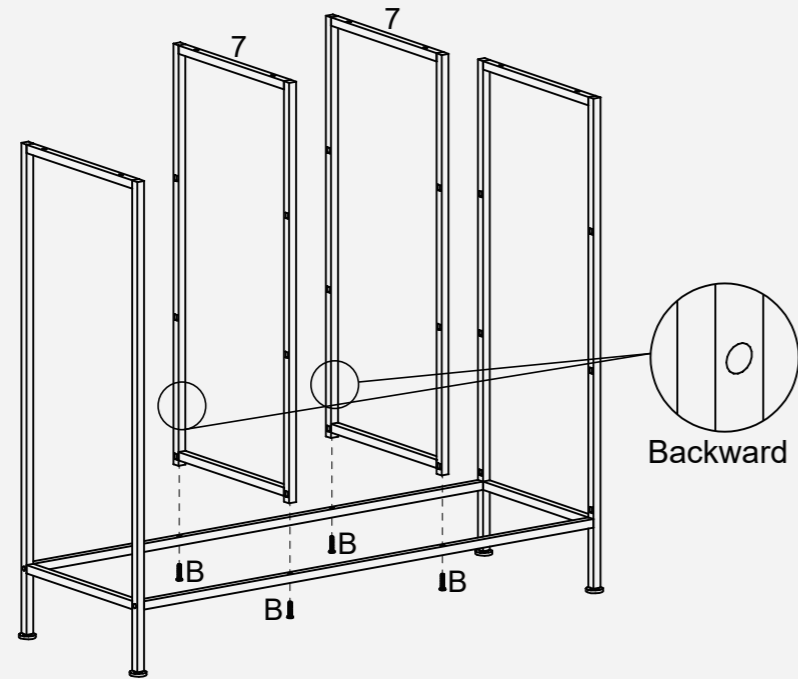


There are 4 metal nuts on part 12, which are facing back when install them. You can see in step 6.

B M6X23 X4

Assembly Instruction:

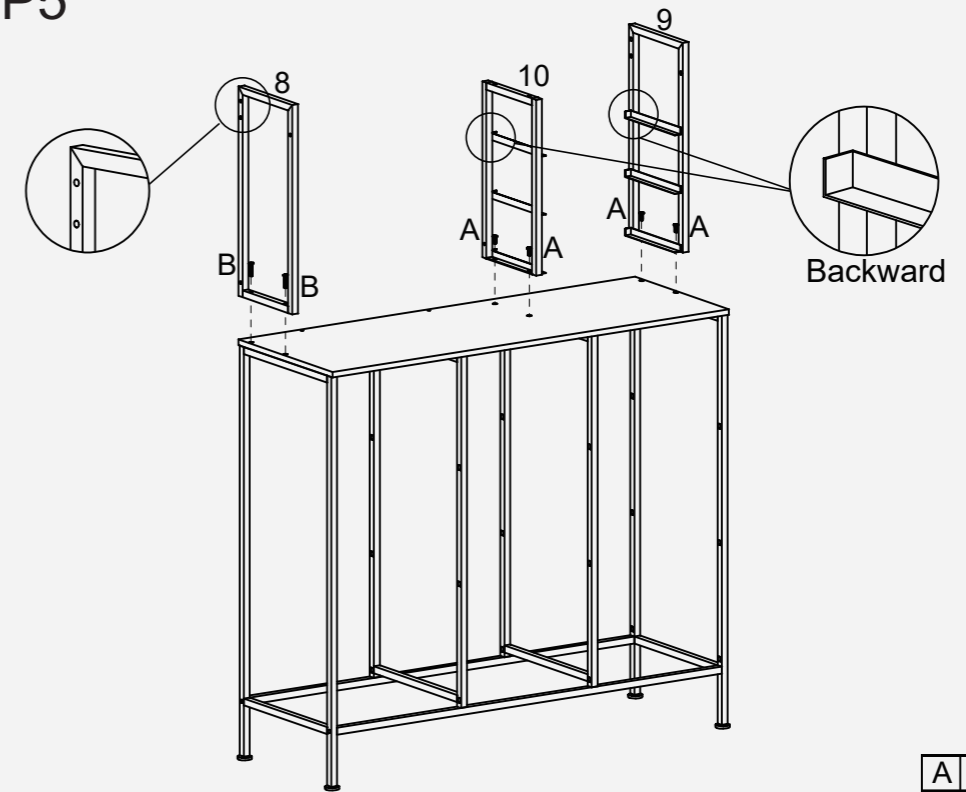
STEP3



B	M6X23	X4
---	-------	----

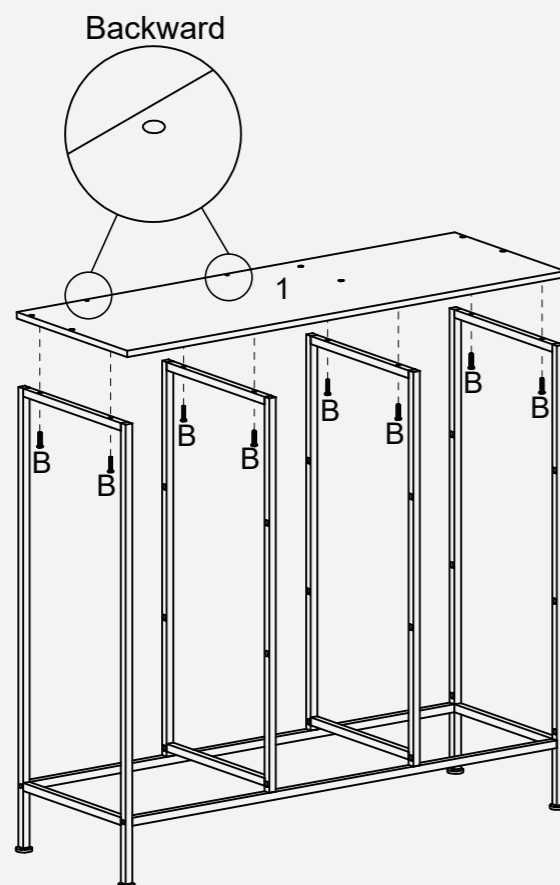
Assembly Instruction:

STEP5



A	M6X8	X4
B	M6X23	X2

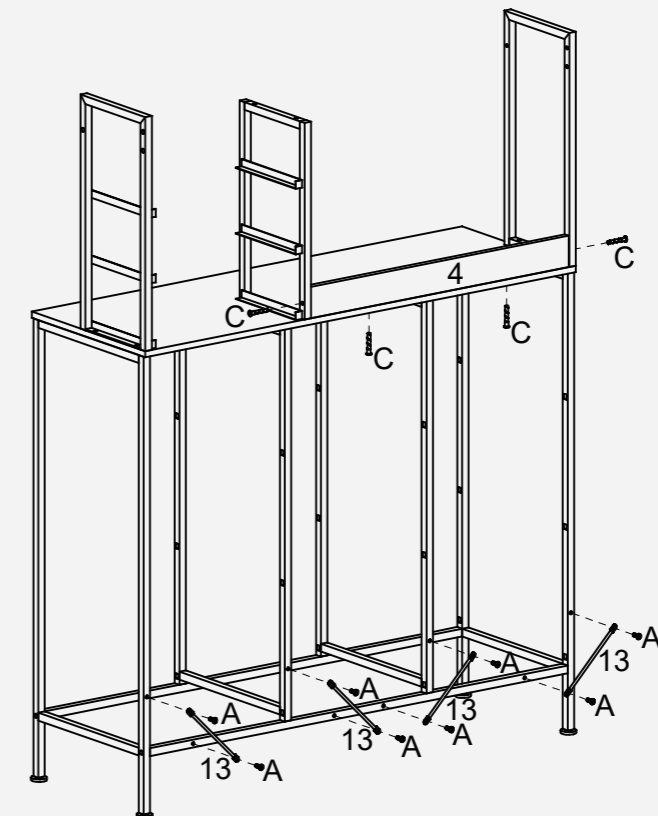
STEP4



B	M6X23	X8
---	-------	----

5

STEP6

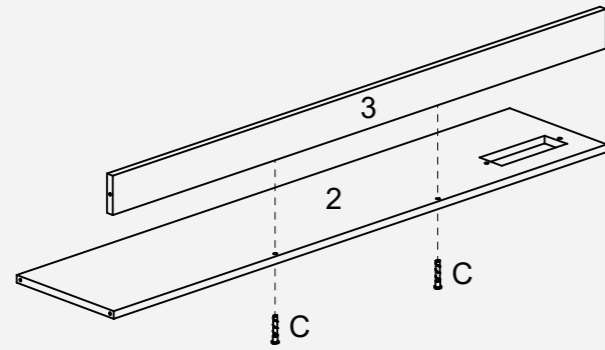


A	M6X8	X8
C	M5X40	X4

6

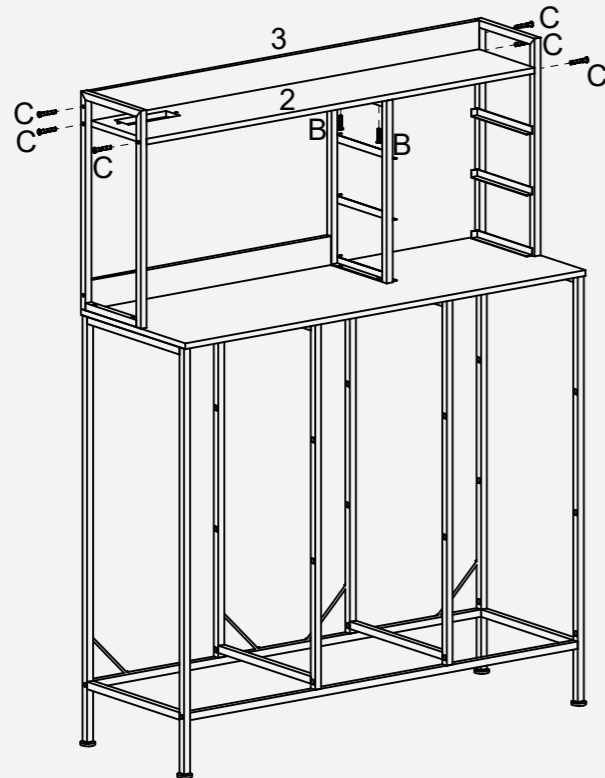
Assembly Instruction:

STEP7



C	M5X40	X2
---	-------	----

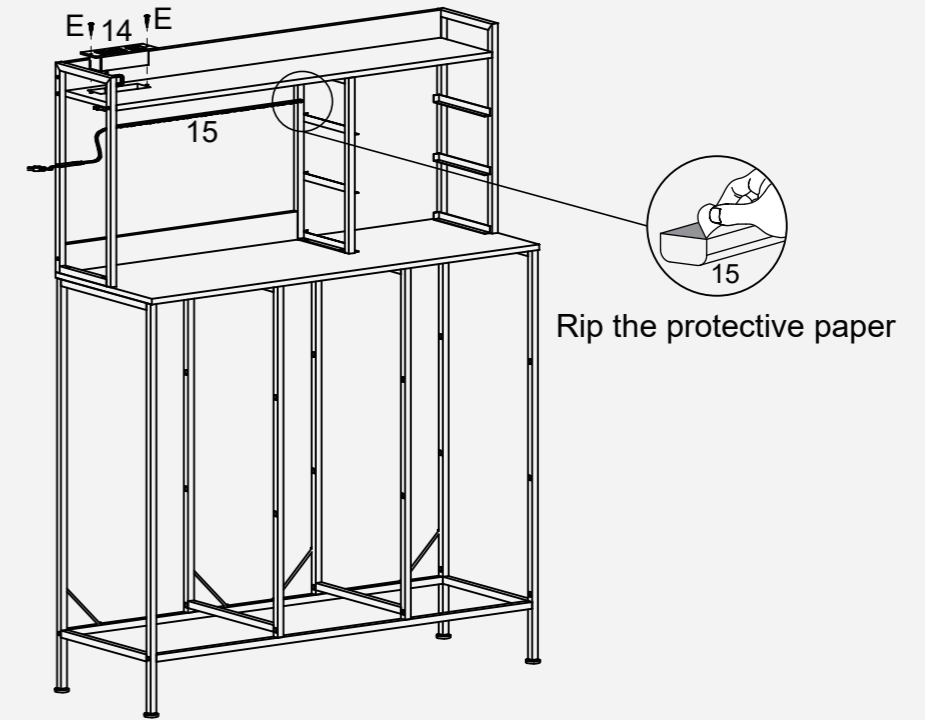
STEP8



B	M6X23	X2
C	M5X40	X6

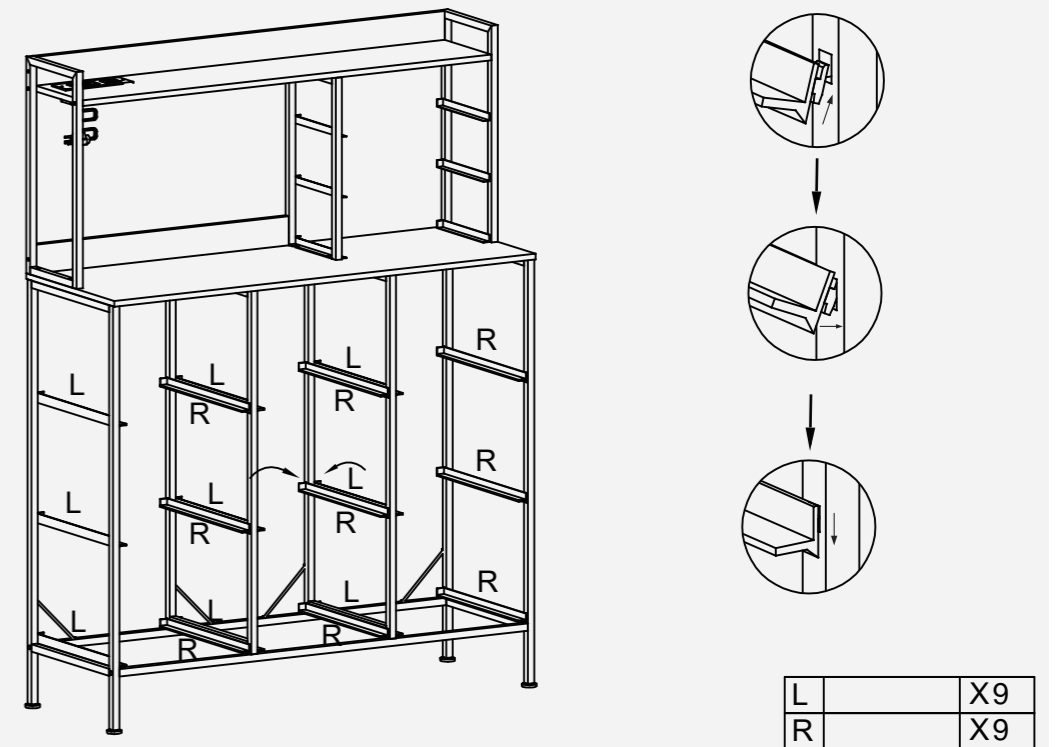
Assembly Instruction:

STEP9



E	M4X12	X2
---	-------	----

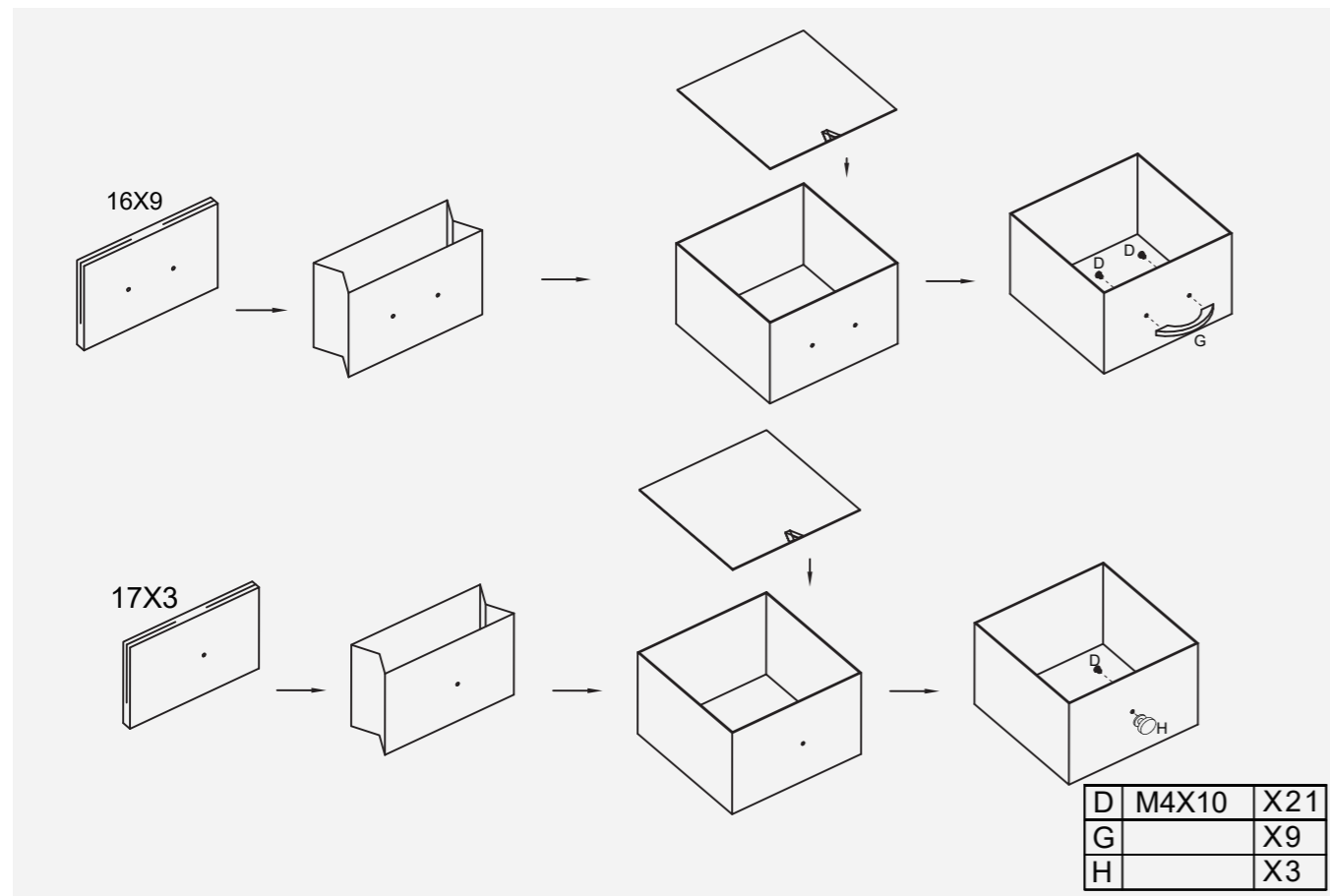
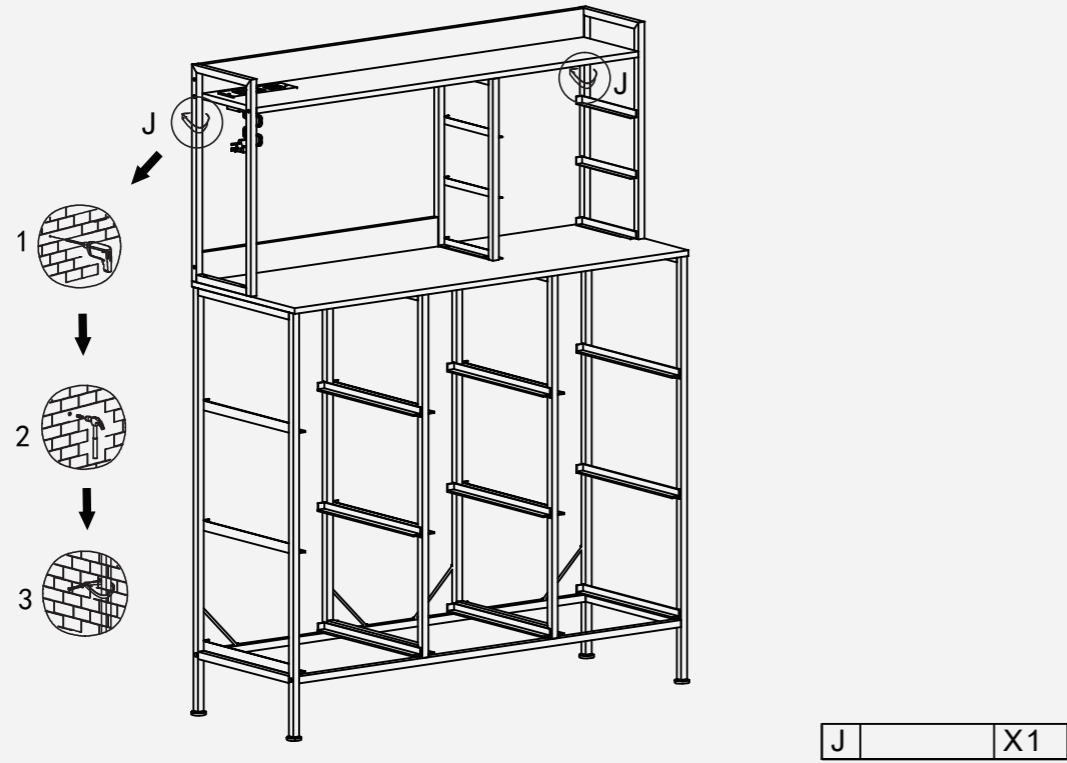
STEP10



L		X9
R		X9

Assembly Instruction:

STEP11



Assembly Instruction:

