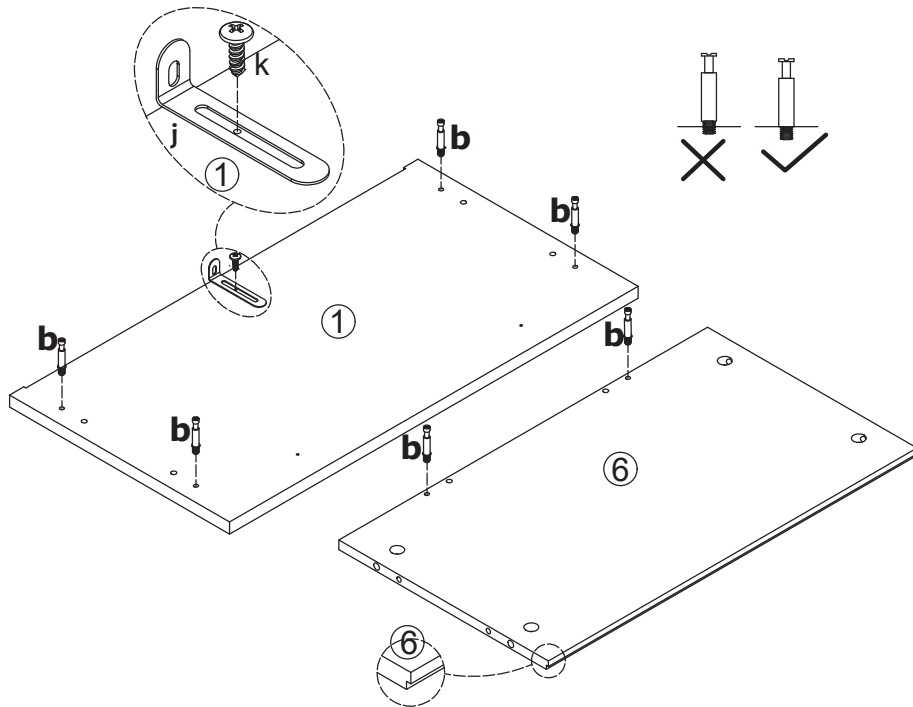

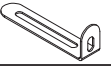

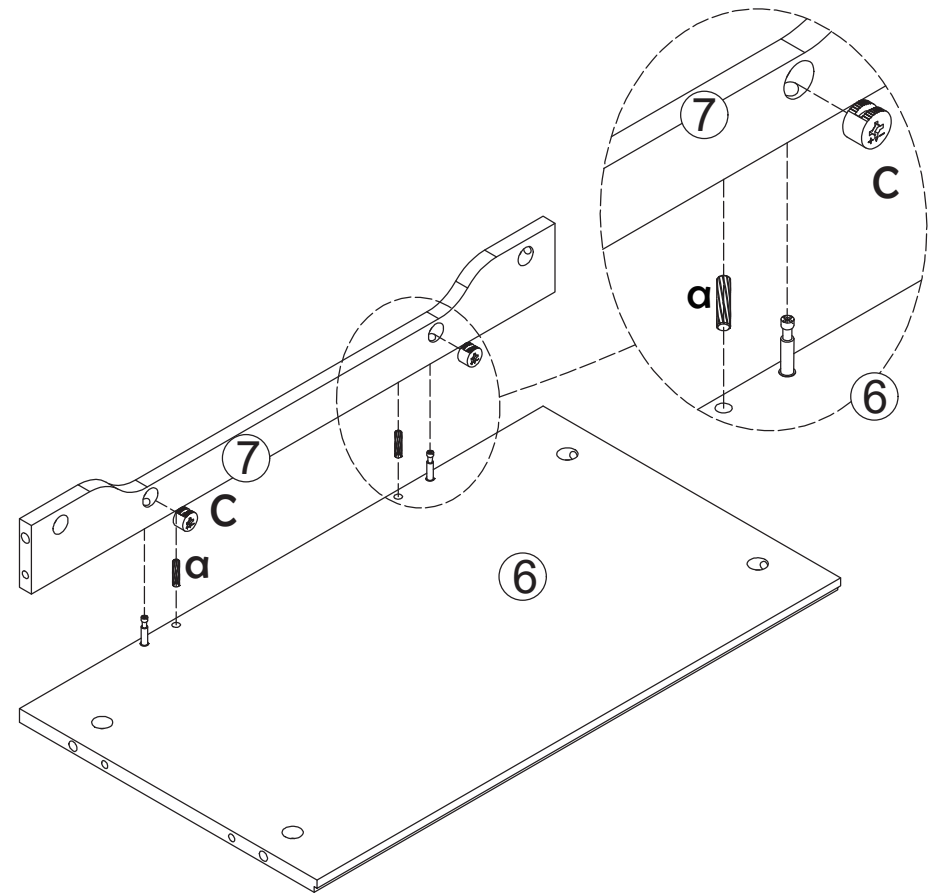


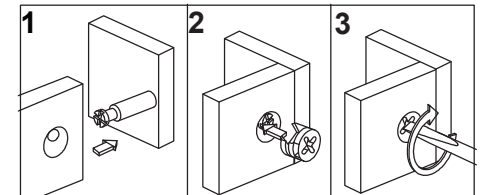


1

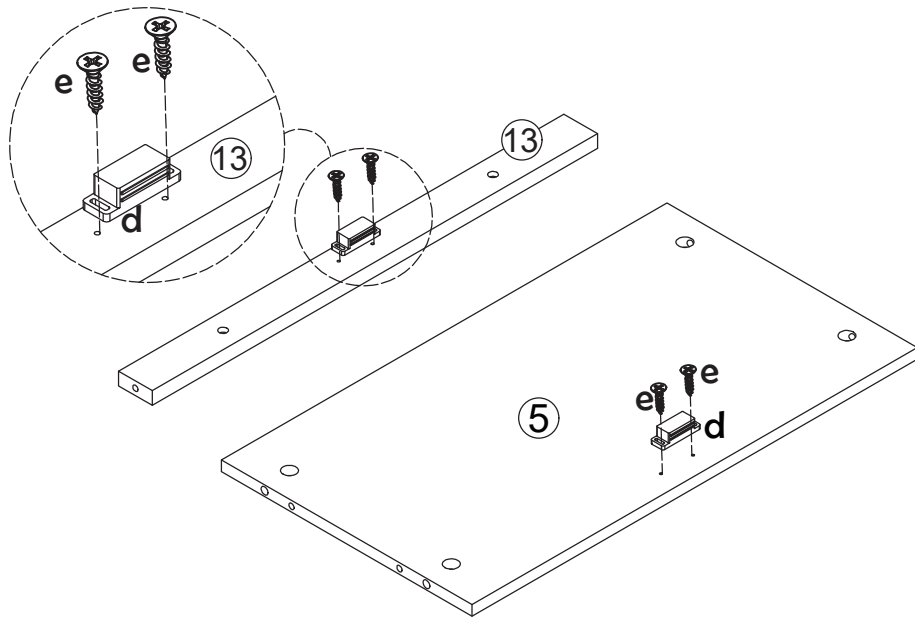
	b x6
	j x1
	k x1



2

	a x2
	c x2

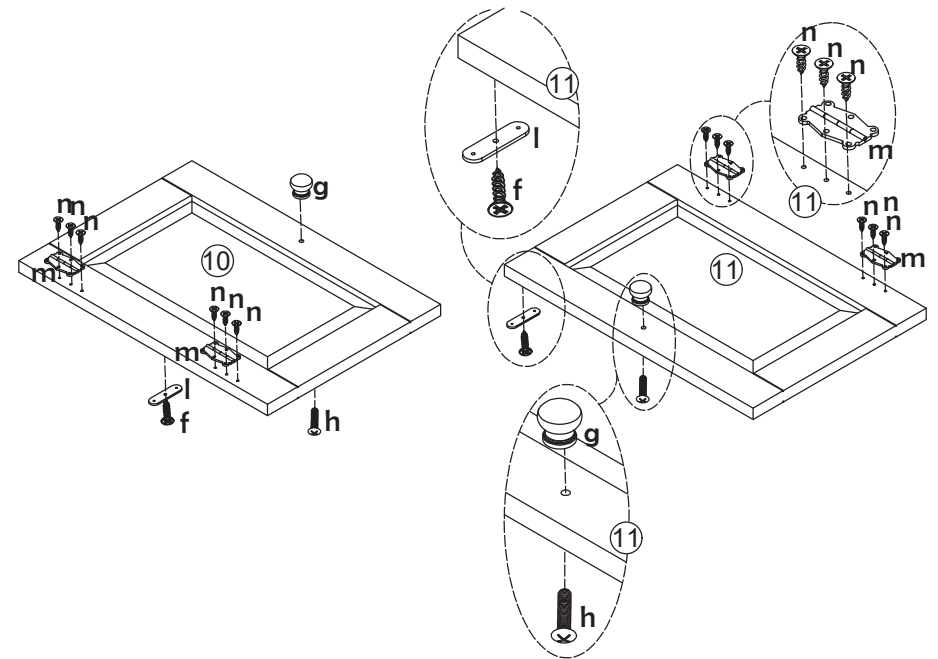








3



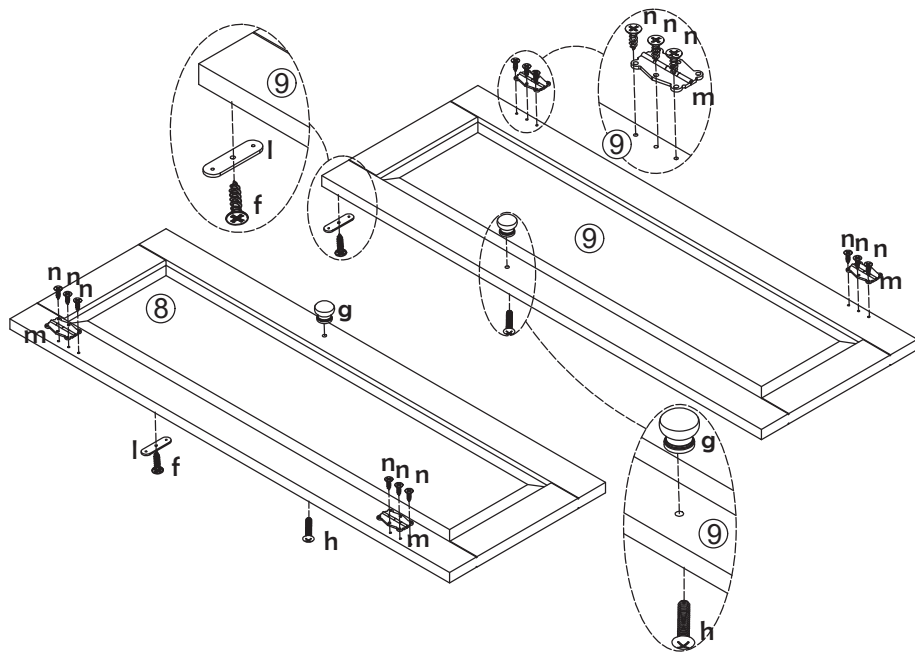
	d x2
	e x4







4



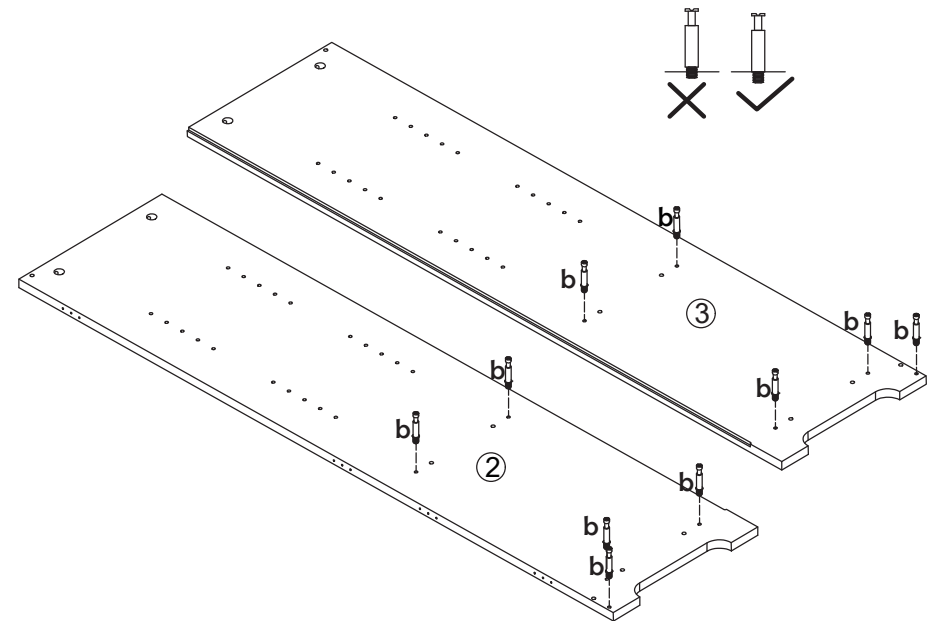
	f x2		l x2
	g x2		m x4
	h x2		n x12


5



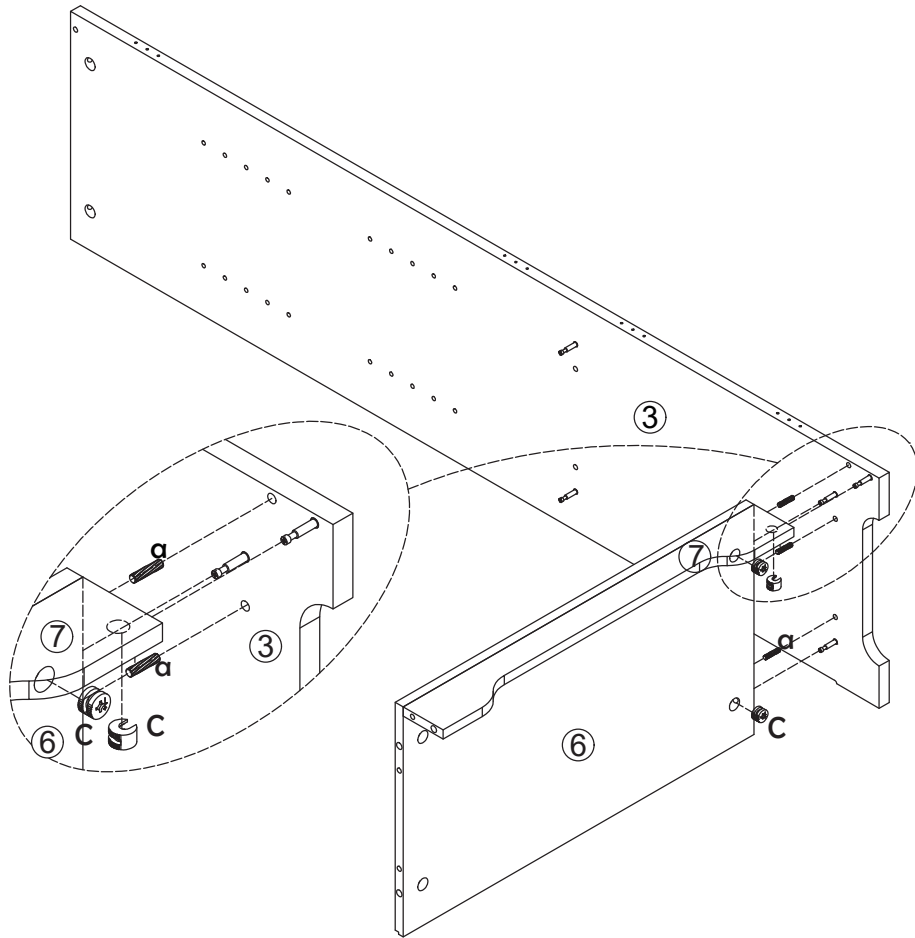
	g x2		m x4
	h x2		n x12
	l x2		f x2

6

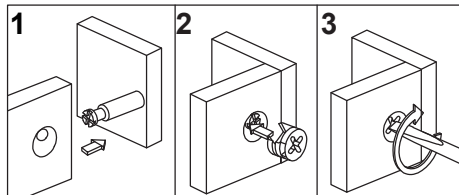


	b x10
---	--------------

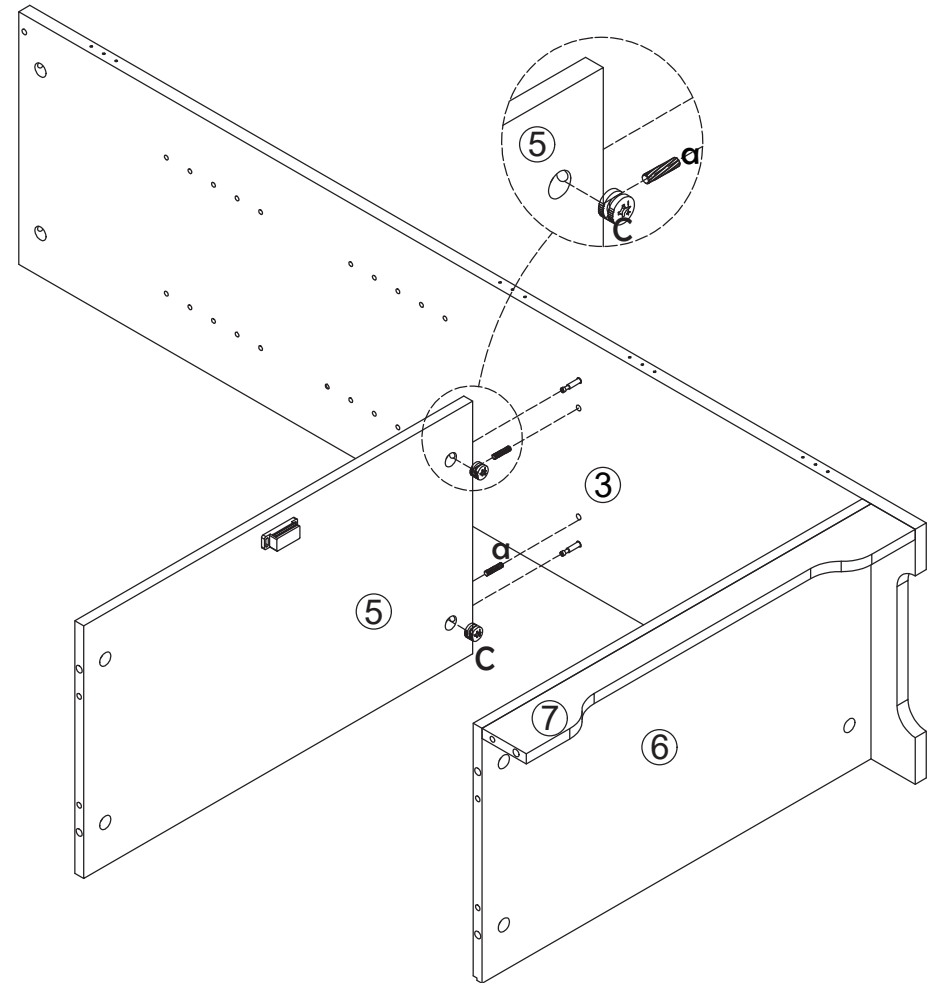
7



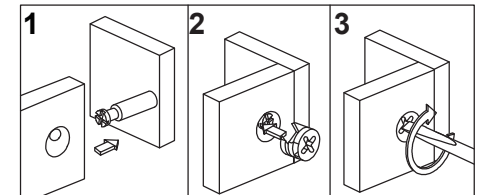
	a x3
	c x3



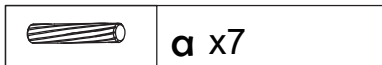
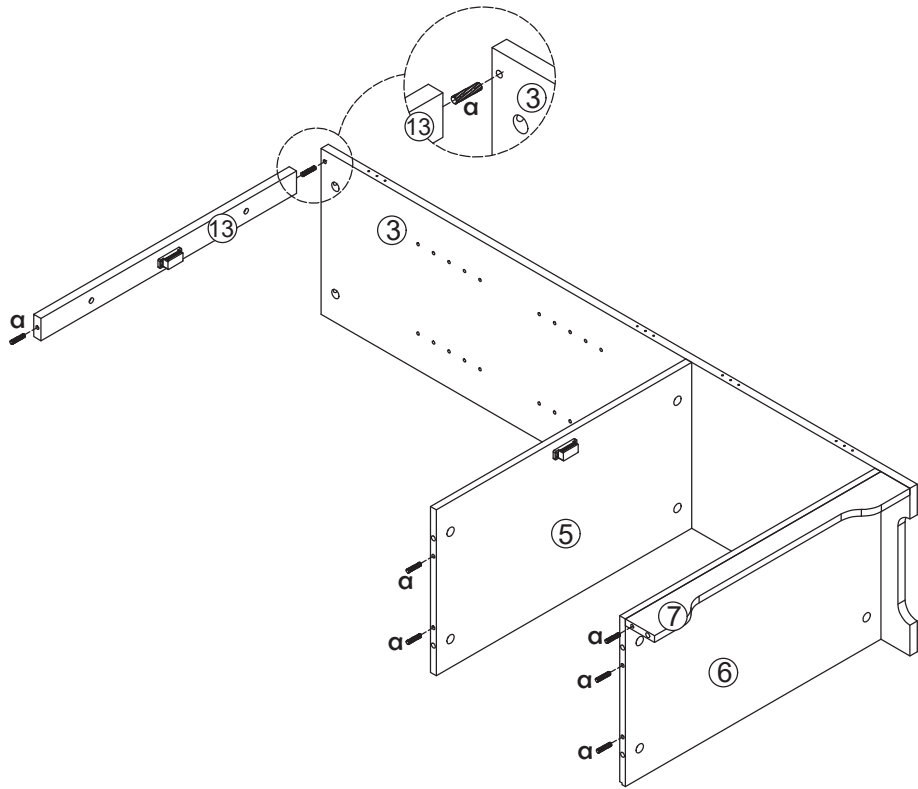
8



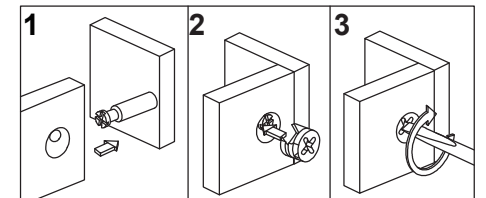
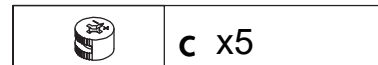
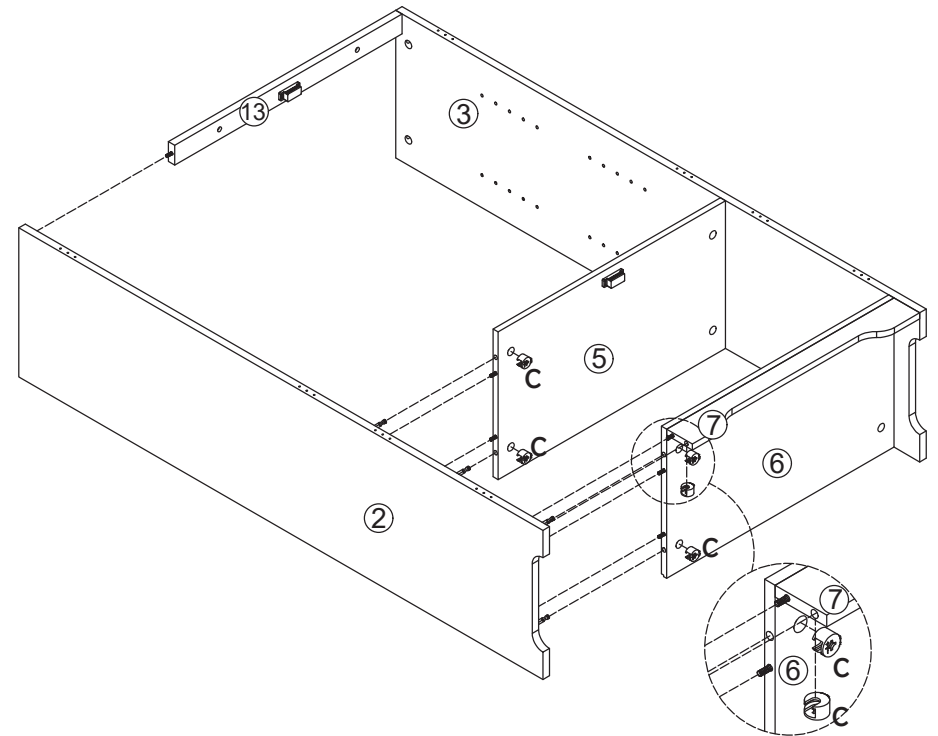
	a x2
	c x2



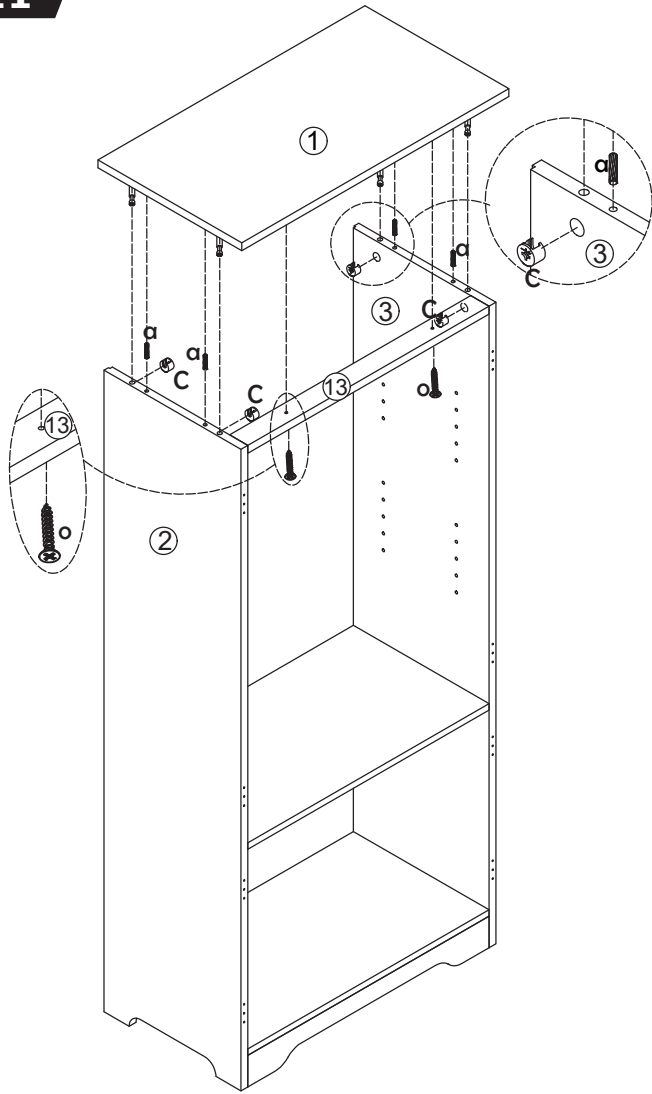
9






10

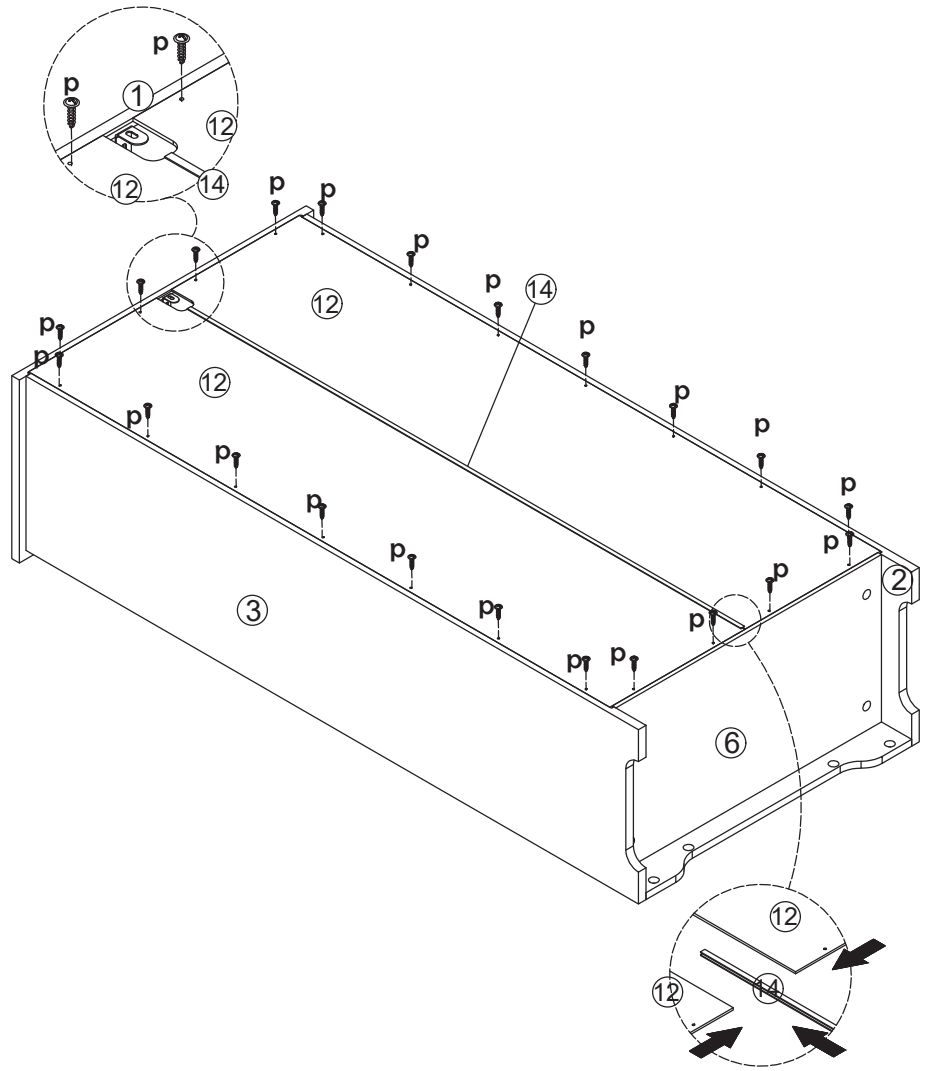



11



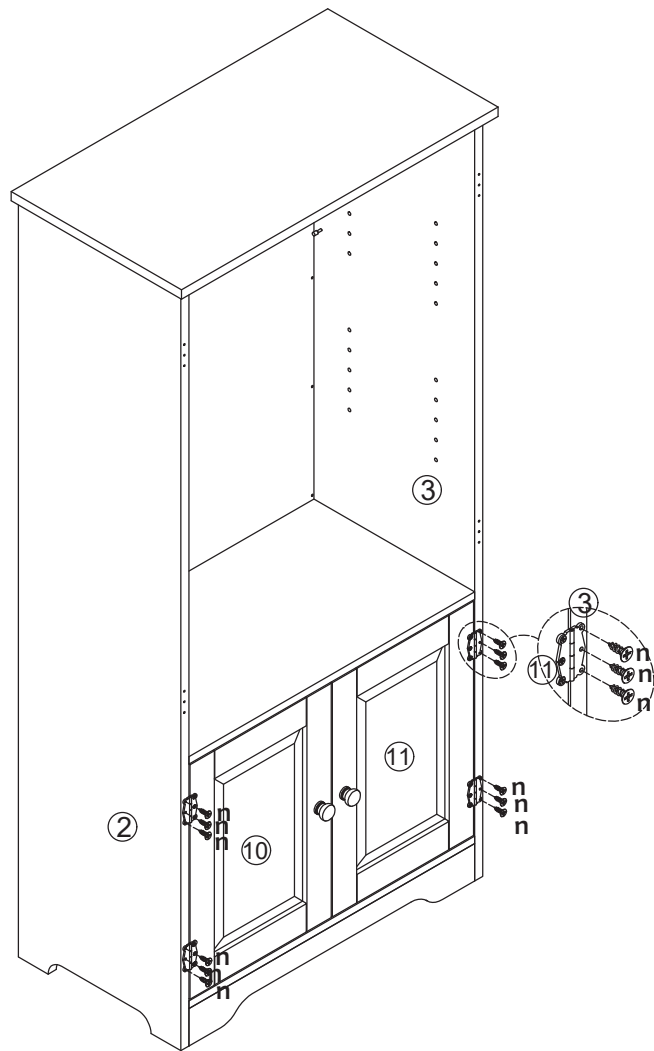
	a x4
	c x4
	o x2


12



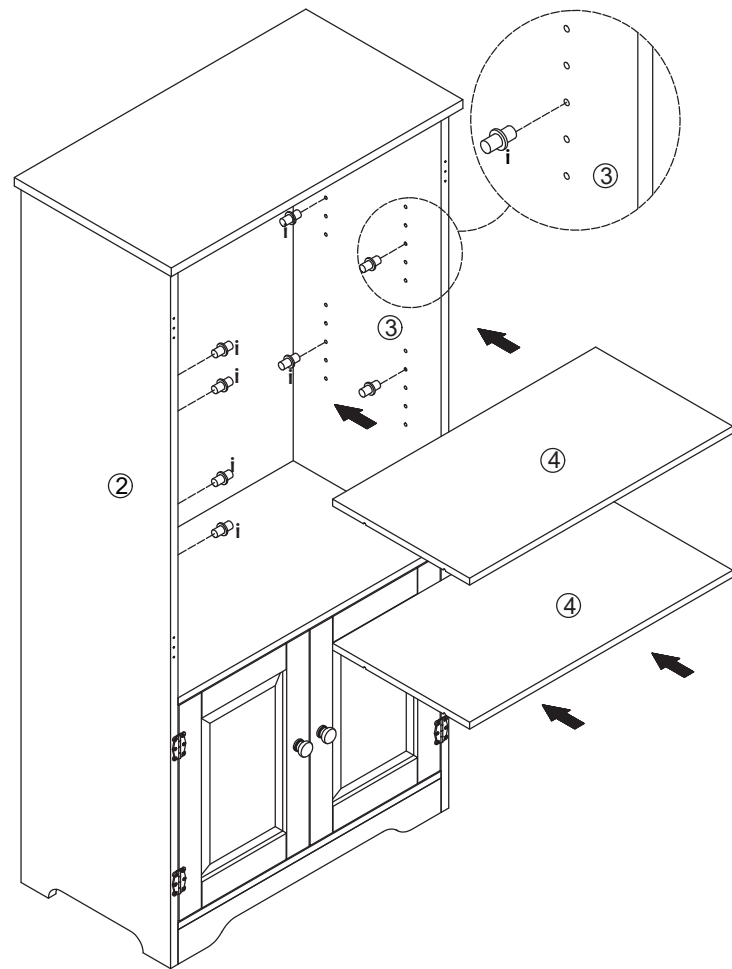
	p x22
---	--------------

13



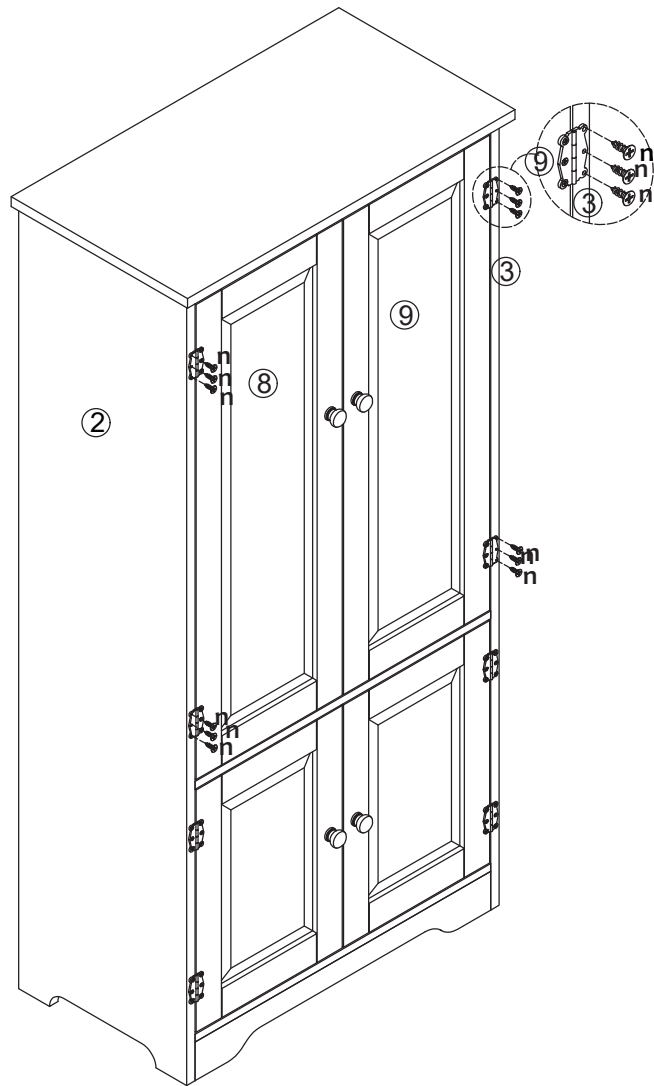
 n x12


14



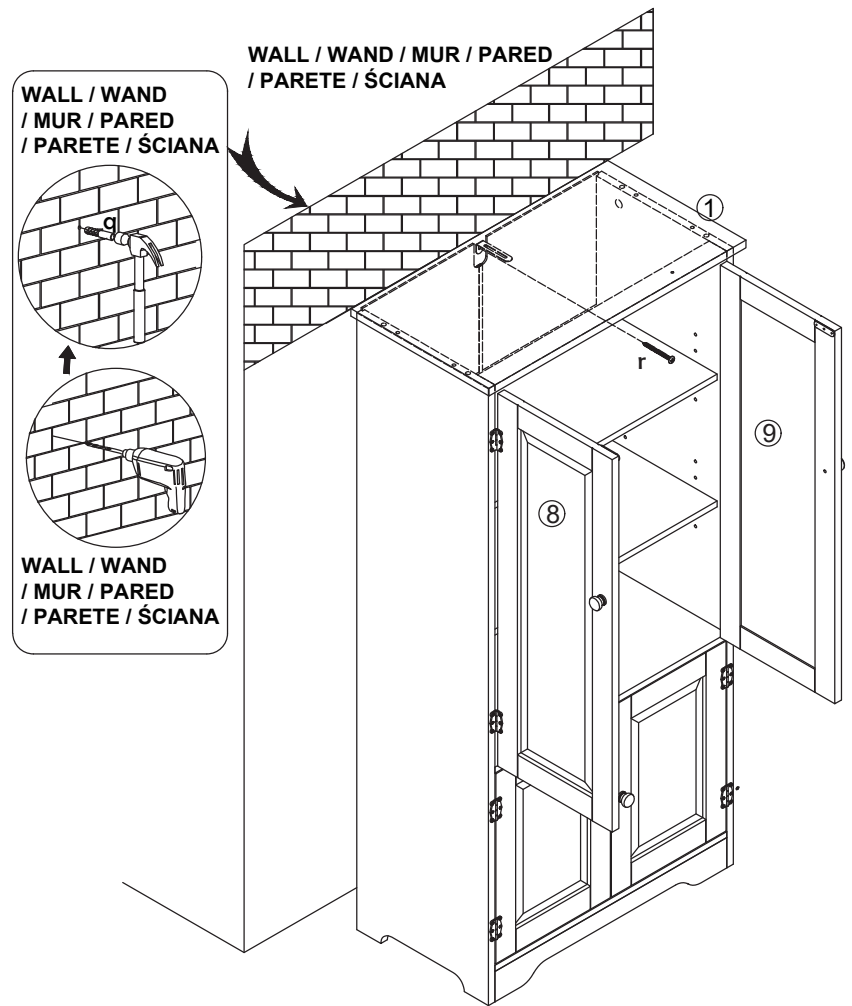
 i x8



15



	n x12
---	-------

16



	q x1
	r x1