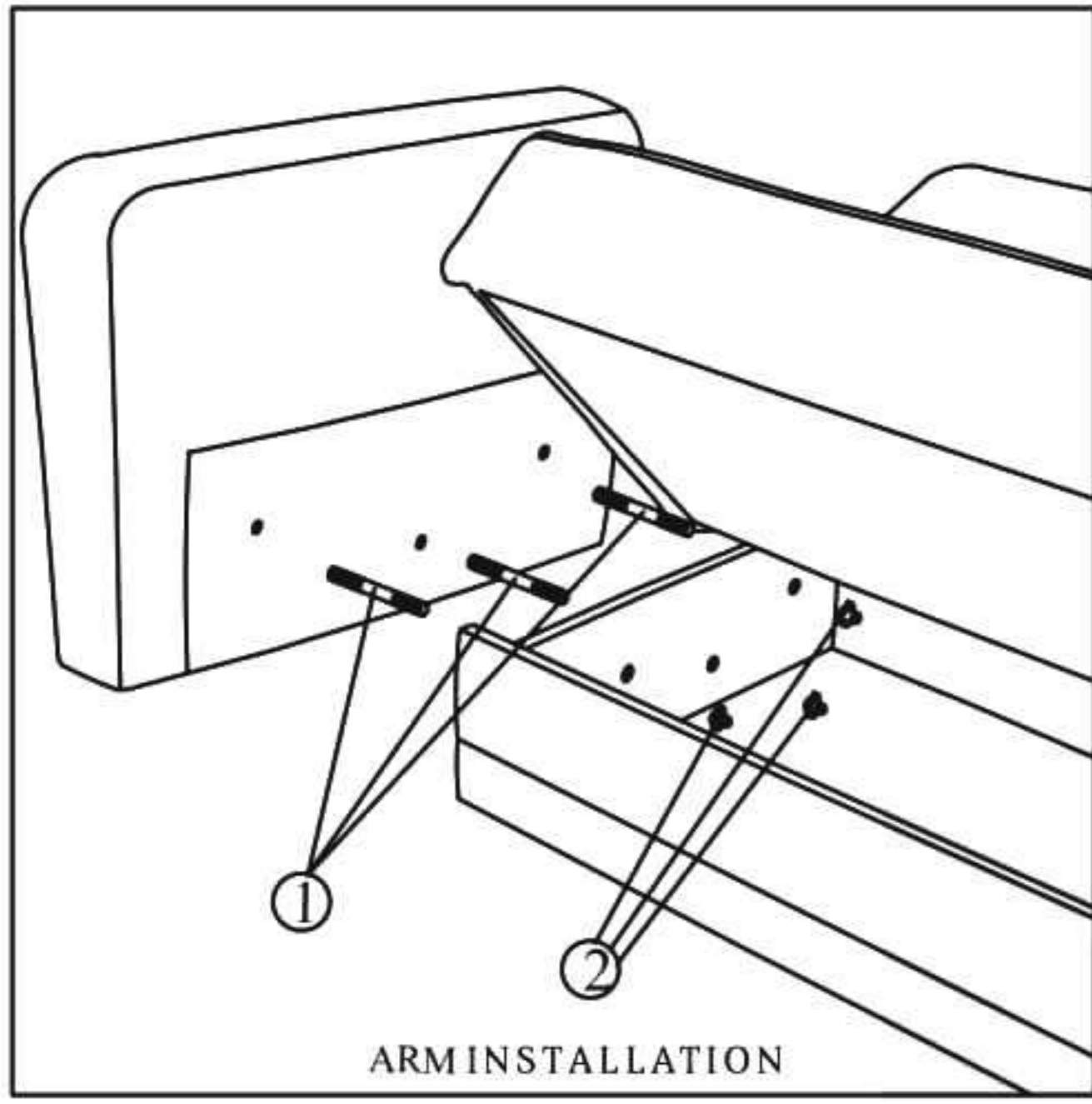


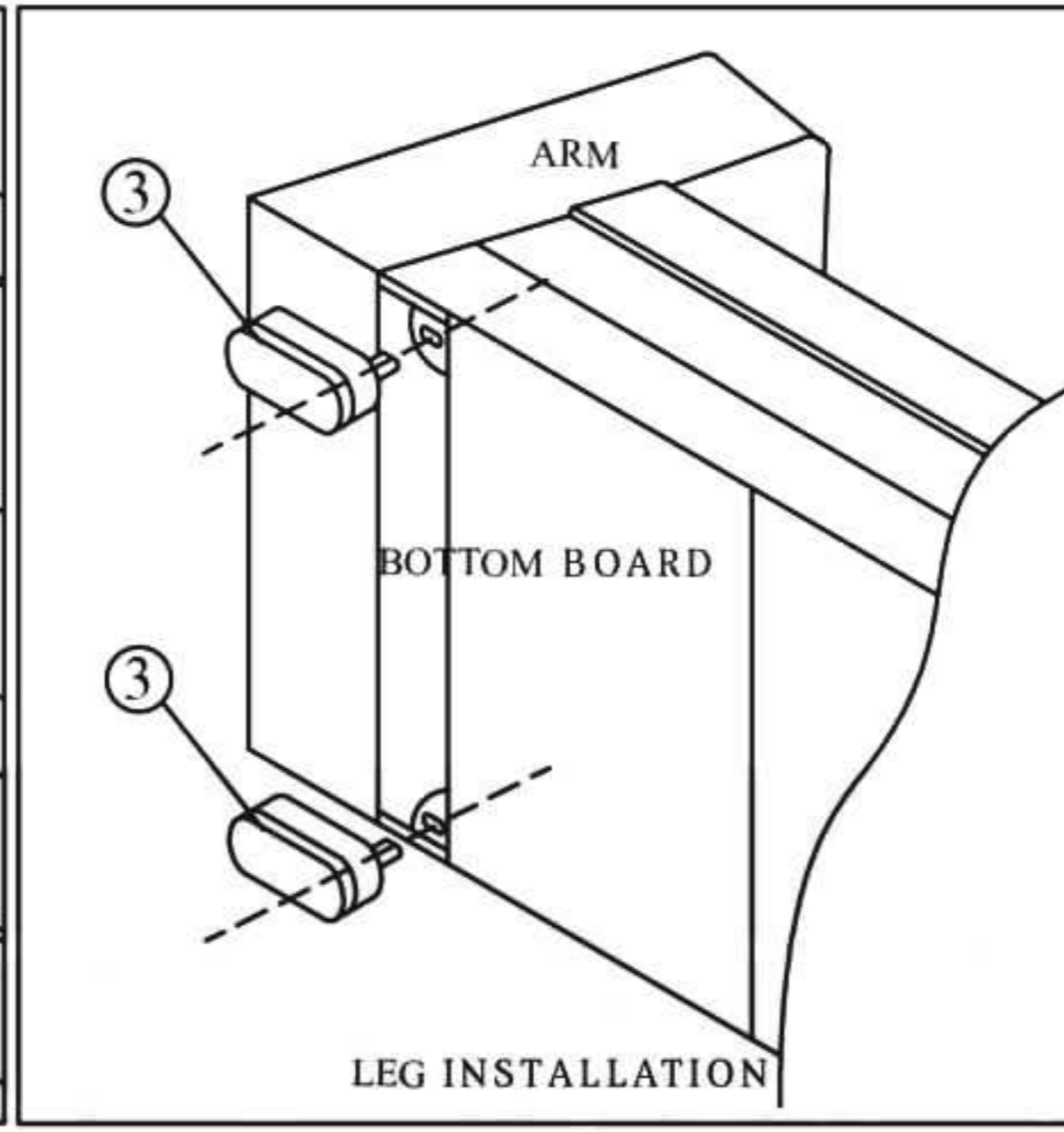
# ASSEMBLY GUIDE



ARM INSTALLATION

## 1-A ARM ASSEMBLY

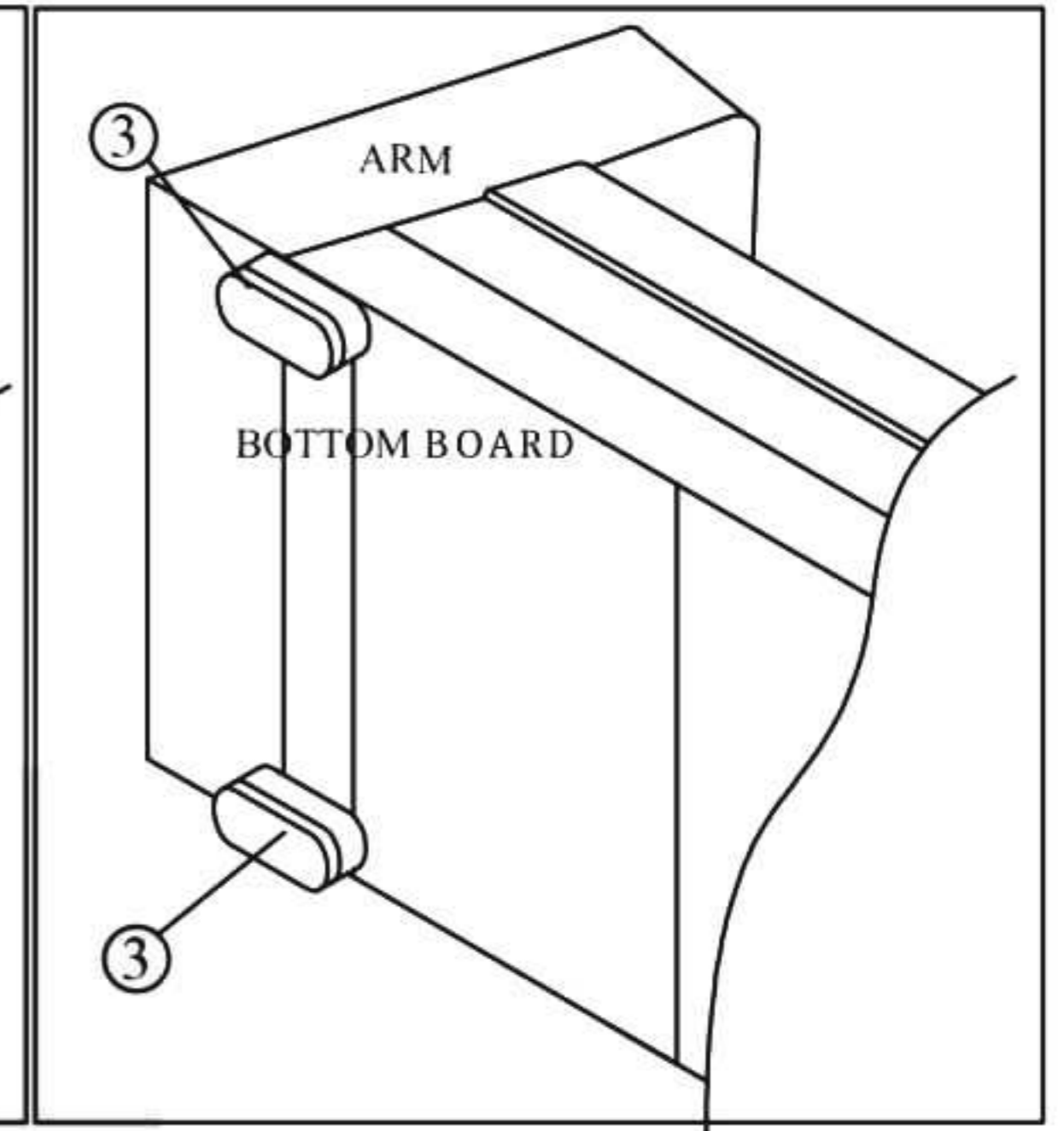
- A) SCREW THE BOLTS (1) INTO THE HOLES AT THE ARM BY TURNING CLOCKWISE
- B) MOUNT THE ARMS TO THE SIDEBOARD, BOLTS THROUGH THE HOLES
- C) FASTEN THE ARMS TO THE BOX BY USING NUTS (2)



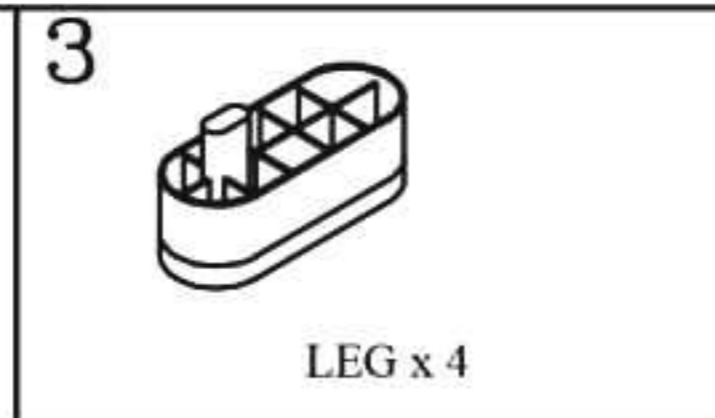
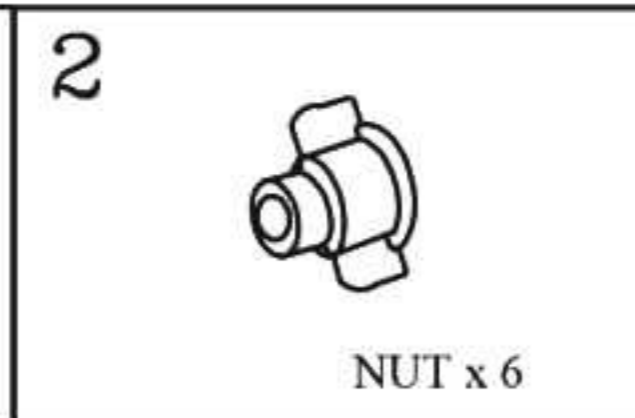
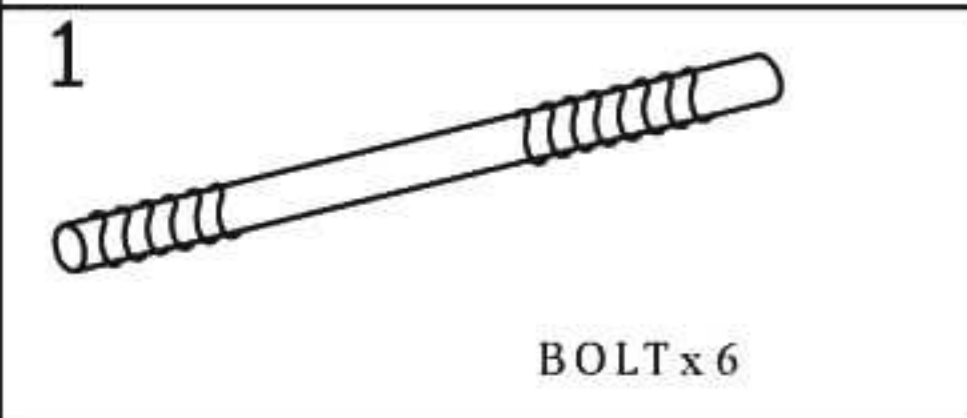
LEG INSTALLATION

## 1-B LEG ASSEMBLY

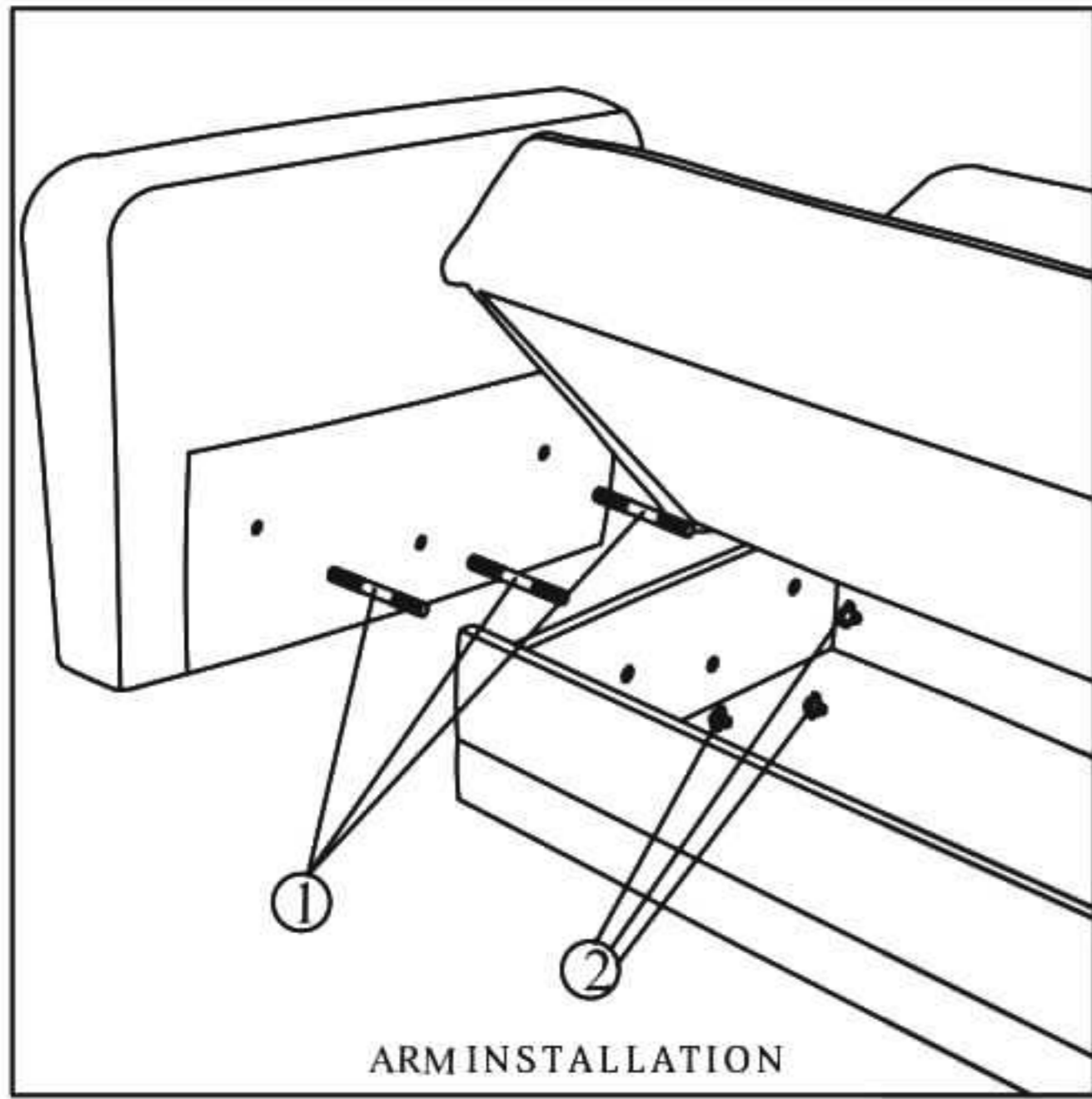
- A) GENTLY PLACE THE SOFA ON ITS BACK
- B) PUSH THE LEGS (3) IN TO THE HOLES LOCATED ON BOTH SIDES OF THE BOTTOM BOARD



BOTTOM BOARD



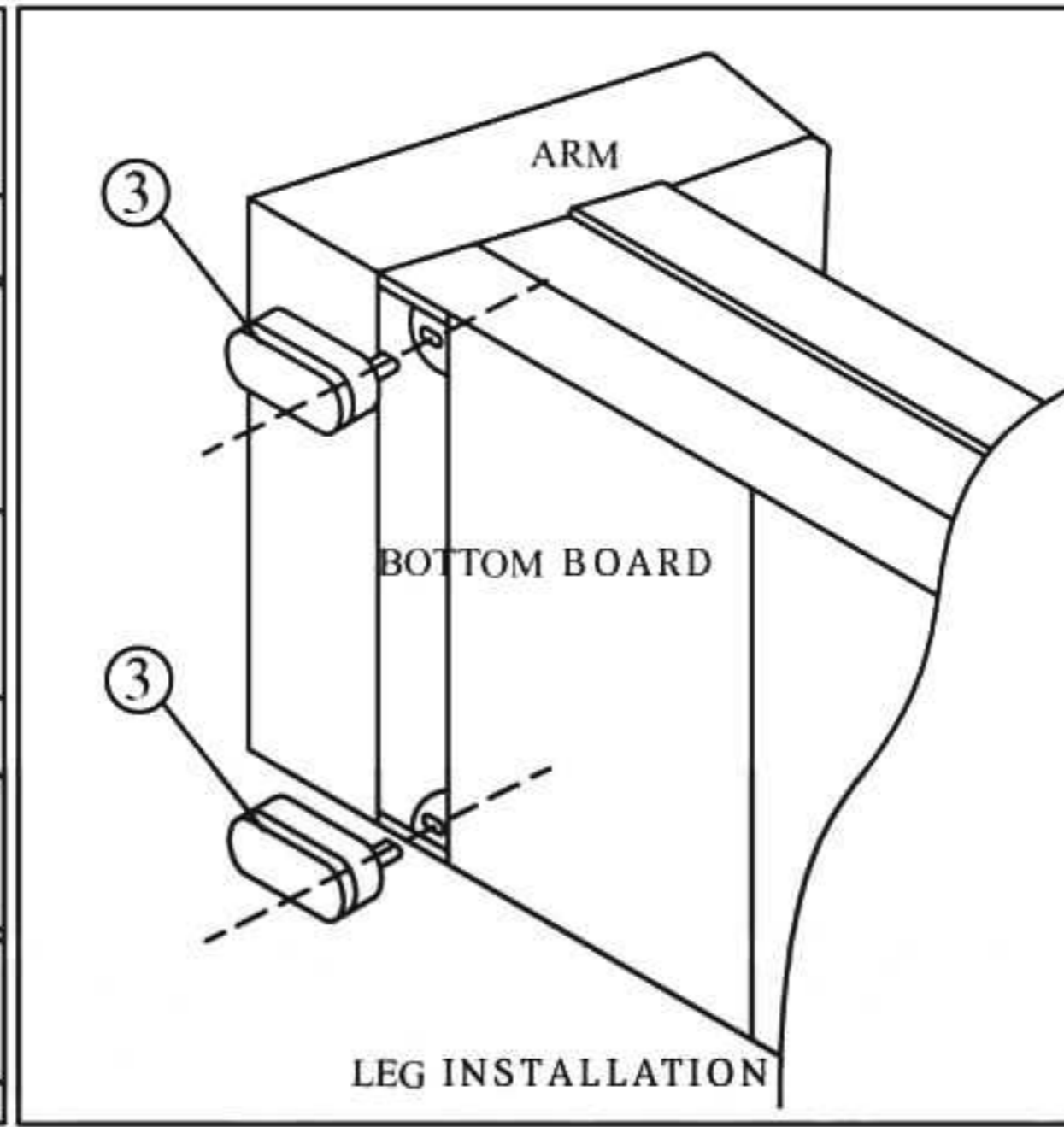
# ASSEMBLY GUIDE



ARM INSTALLATION

## 1-A ARM ASSEMBLY

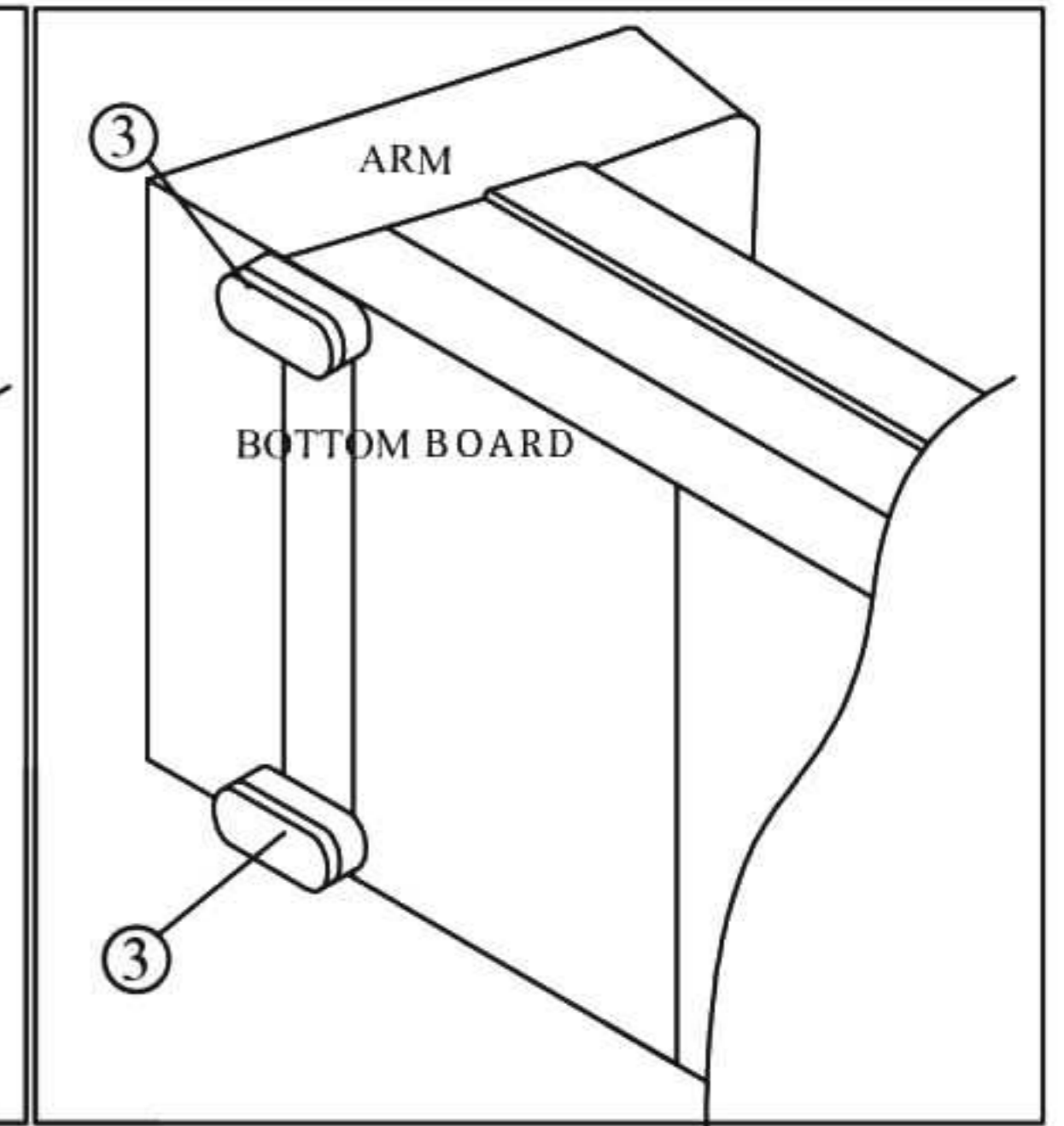
- A) SCREW THE BOLTS (1) INTO THE HOLES AT THE ARM BY TURNING CLOCKWISE
- B) MOUNT THE ARMS TO THE SIDEBOARD, BOLTS THROUGH THE HOLES
- C) FASTEN THE ARMS TO THE BOX BY USING NUTS (2)



LEG INSTALLATION

## 1-B LEG ASSEMBLY

- A) GENTLY PLACE THE SOFA ON ITS BACK
- B) PUSH THE LEGS (3) IN TO THE HOLES LOCATED ON BOTH SIDES OF THE BOTTOM BOARD



BOTTOM BOARD

