

ASSEMBLY INSTRUCTION

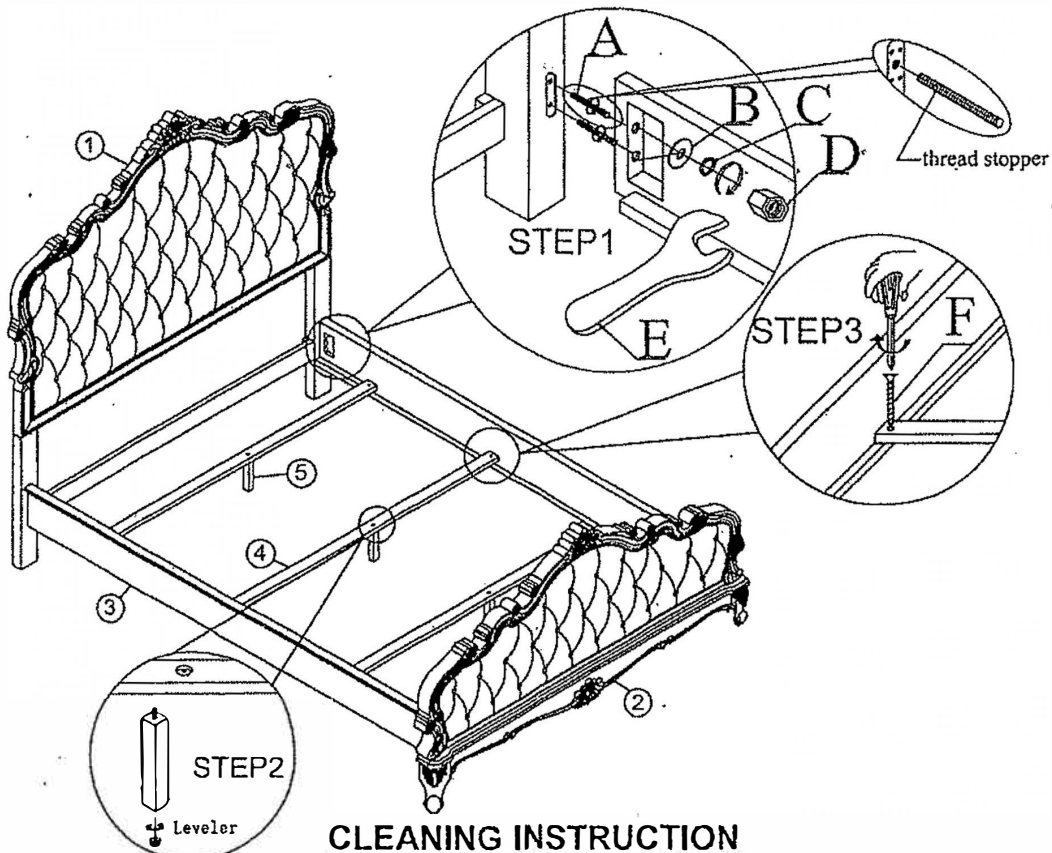
Thank you for purchasing this quality product. Be sure to check all packing materials carefully for small parts, which may have come loose inside the carton during shipment. Identify and count all parts and compare with the parts list below.



HARDWARE LIST			
NO.	Drawing	Description	Qty
A		Threaded Bolt (Ø5/16"X3-1/2")	8pcs
B		Flat washer (Ø5/16"x19mm)	8pcs
C		Spring washer (Ø5/16")	8pcs
D		Hex Nut (Ø5/16")	8pcs
E		Ø5/16" Wrench(12mm)	1pc
F		Wood screw Ø8x1-1/4"	6pcs

PARTS LIST:

①	②	③	④	⑤
HEADBOARD: 1PC	FOOT BOARD: 1PC	SIDE RAIL: 2PCS	SLATS : 3PCS	SUPPOR LEGS : 3PCS



Clean the Queen bed surface with a furniture polish and a soft cloth.