

Installation Instruction

Contact Us

Thank you for purchasing our mirrors. We hope that our products have added a touch of brightness to your life. If you need any assistance, please don't hesitate to reach out. Our service team will ensure your satisfaction.

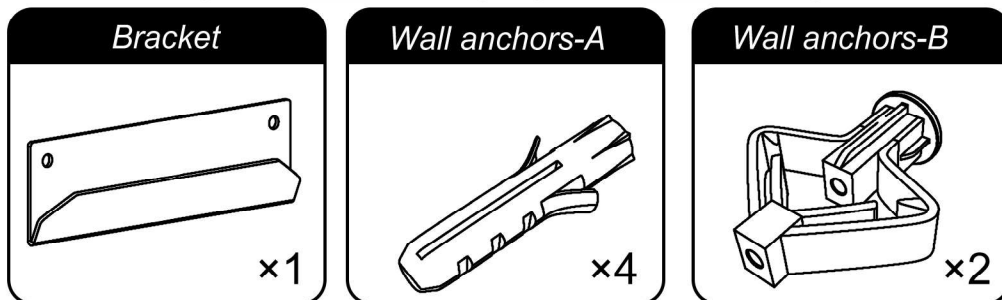
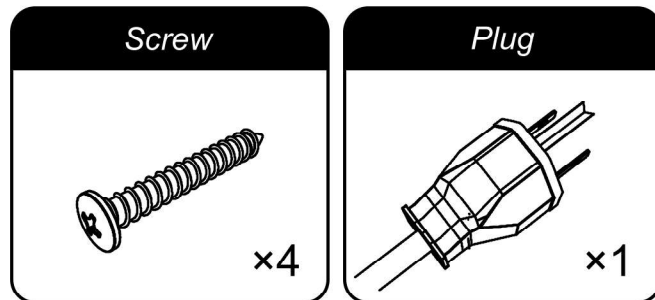
Mirror Function

Brightness Adjustment ----- Press and hold this button to adjust the brightness of the mirror light.

Anti-fog ----- Touch this button to open anti-fog function, and this function will automatically turn off after one hour.

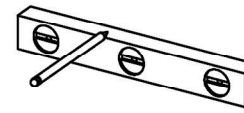
Memory Function ----- When you turn on the mirror again, the brightness will be the brightness you set last time.

Accessories List



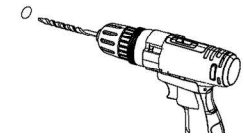
Installation Method

step1



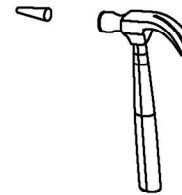
Measure and mark location

step2



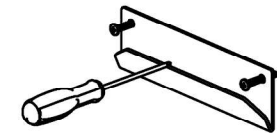
Use the electric drill to punch holes

step3



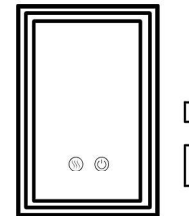
Apply wall anchors with hammer

step4



Use a screwdriver to screw the screws into the wall anchors

step5



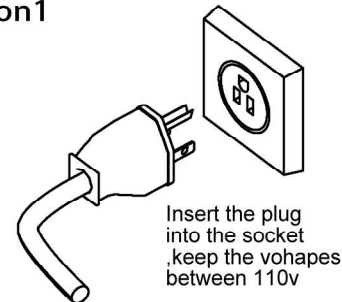
Hang the mirror on the wall

Black wire----- power supply L (LIVE)
 White wire----- power supply N (NEUTRAL)
 Green wire----- power supply E (EARTH)

110V



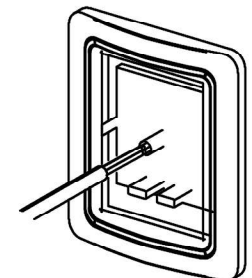
option1



Insert the plug into the socket, keep the voltage between 110v

After hanging the mirror securely, plug the power cable to a standard circuit panel.

option2



or

Cut the head off the plug and hardwired it into an outlet