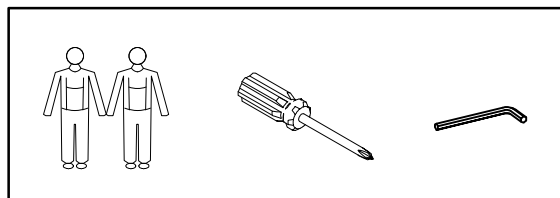
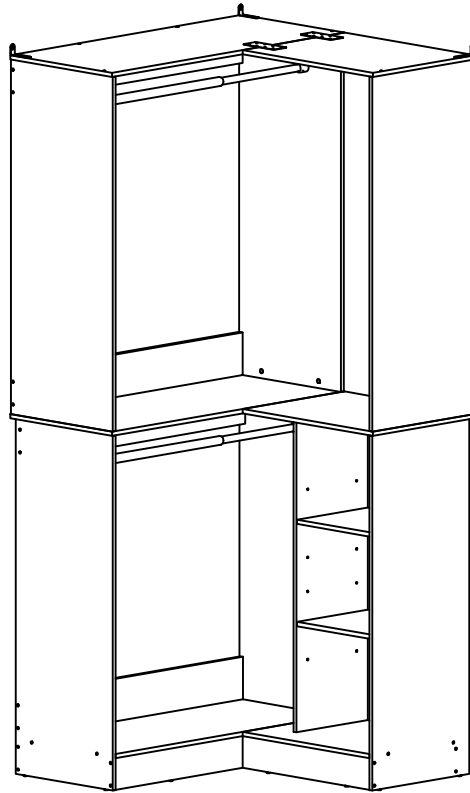


CLOSET SYSTEM

ASSEMBLY INSTRUCTION



CAUTION

Put the screws in loosely until all pieces are together and then tighten them all.
It will save your time if you make a mistake while installing.

Dear Customers,

Thank you for purchasing our products.

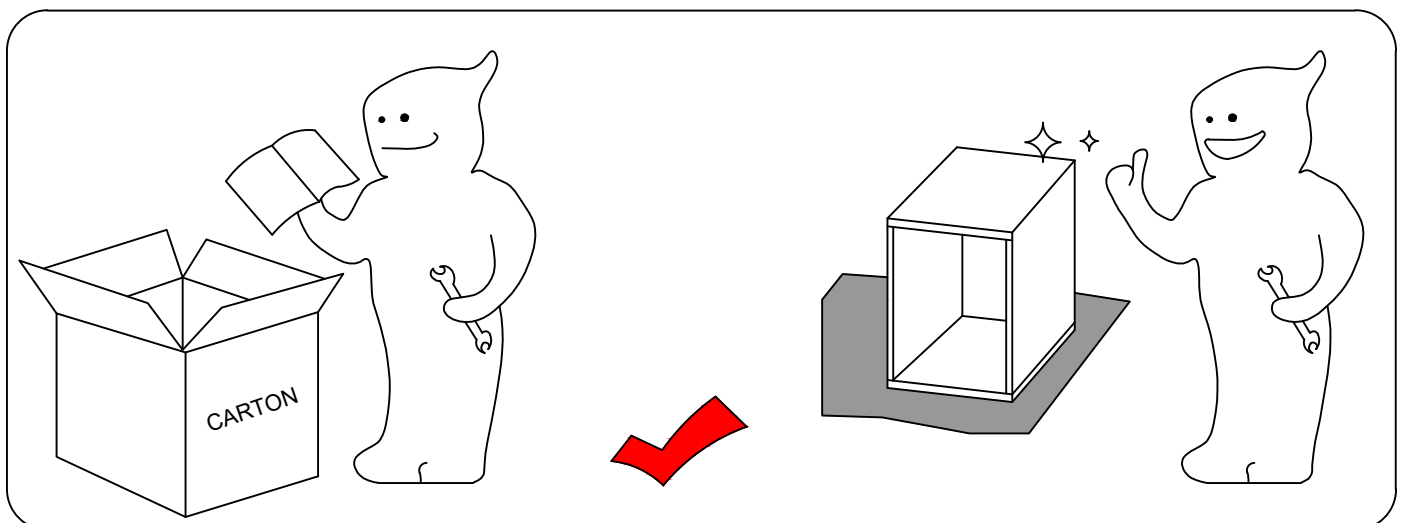
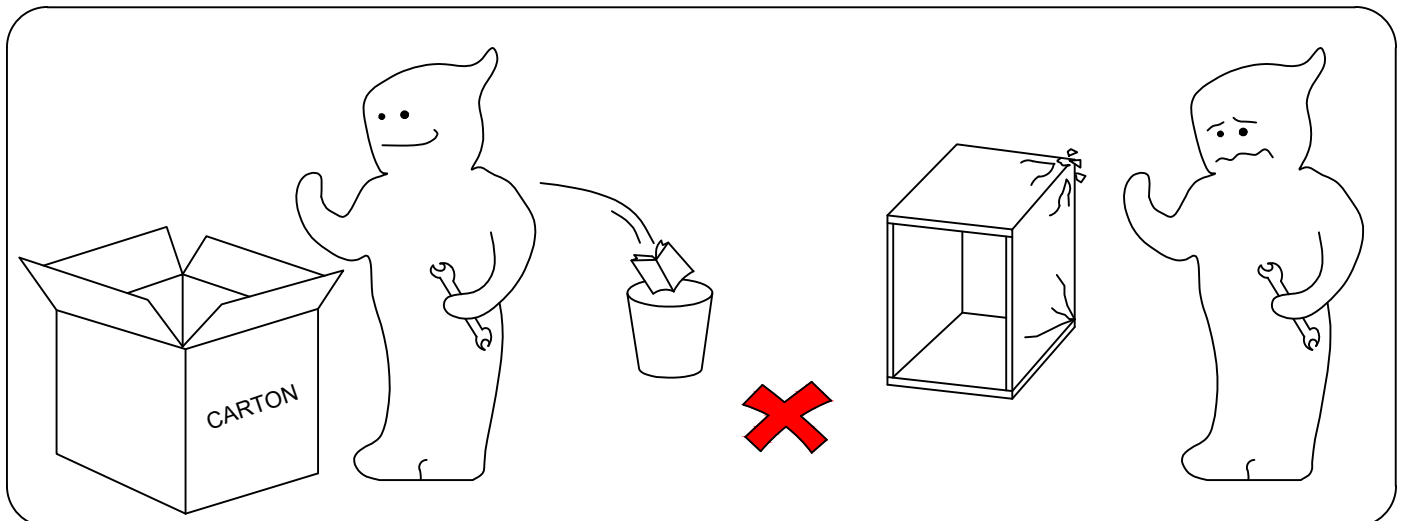
As a reliable seller, we have been pursuing to provide customers with 100% satisfied products and services, so we hope that you will enjoy this shopping experience.

If you find any damage, missing parts, or dissatisfaction after receiving the product, please contact us freely at the first time. We will provide you with a 100% satisfactory solution.

Thanks again for your order. Please feel free to contact us from Amazon or homeycs@hotmail.com in case of any problem regarding assembling or the product itself. We will do everything we can to resolve it.



Please follow the instruction manuals and use a pad to protect the product during your assembly.

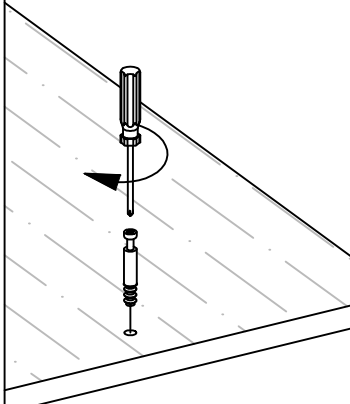


✉ homeycs@hotmail.com

Using Camlocks

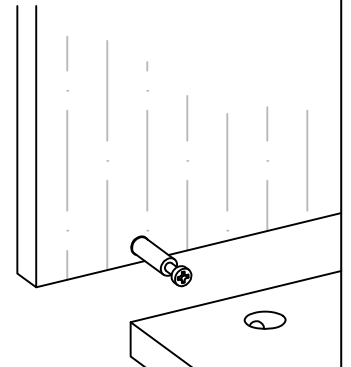
Connect the male camlock as directed in the assembly instructions using a screwdriver.

1 DO NOT OVER TIGHTEN



Push the male camlock into the entry hole.

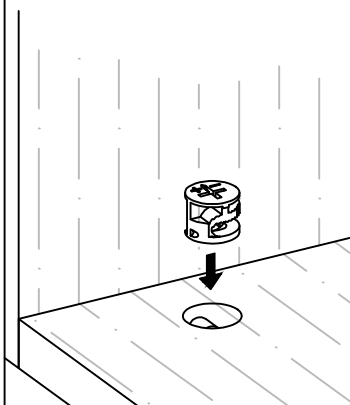
2



Insert the female camlock as shown in the instruction.

Note: ensure that the arrow on the top of the camlock points toward the entry hole for the male camlock.

3

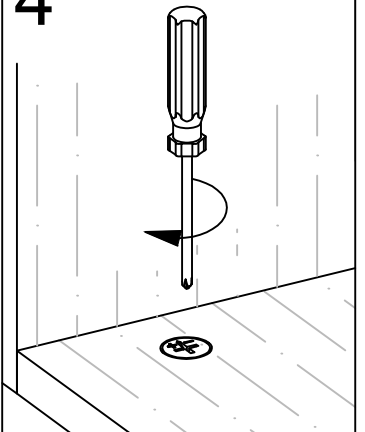


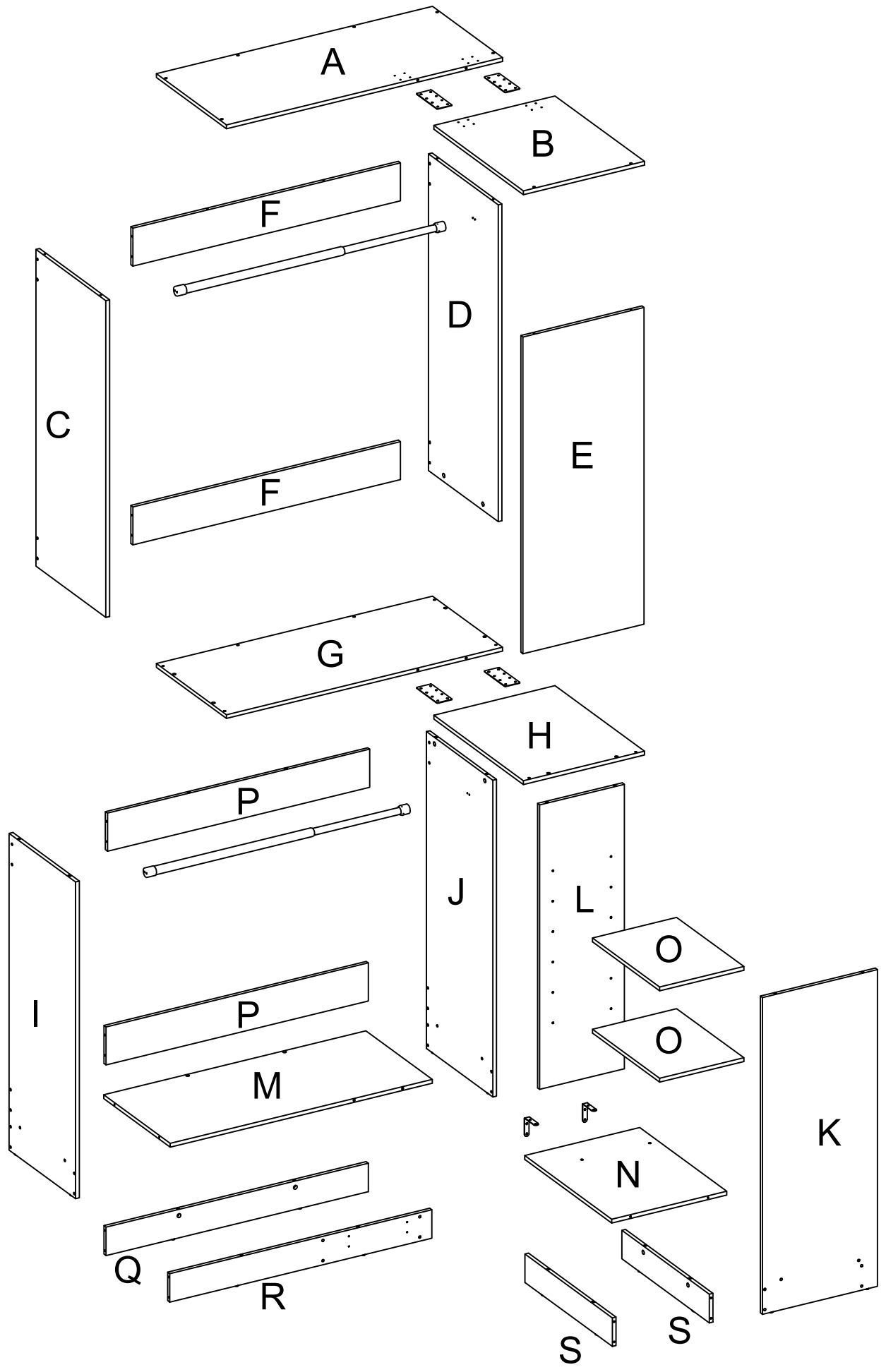
Turn the female camlock clockwise with a screwdriver.

You should feel a click when the camlock is locked in place.

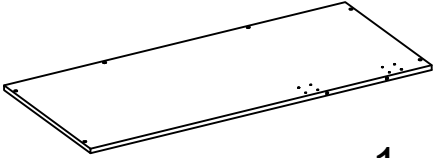
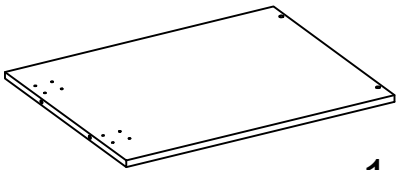
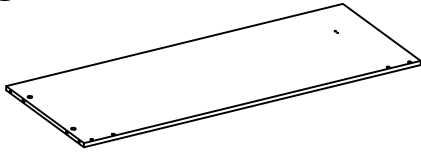
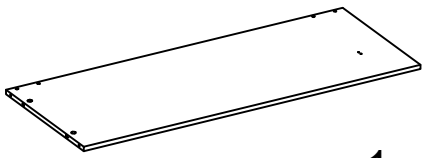
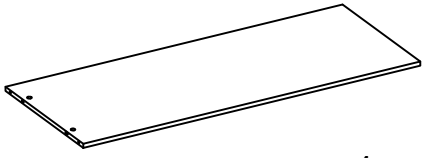
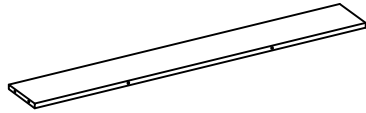
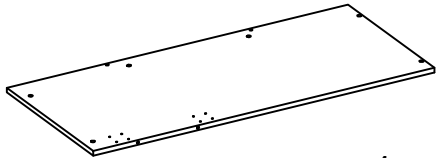
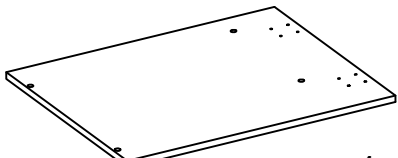
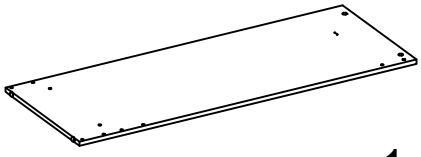
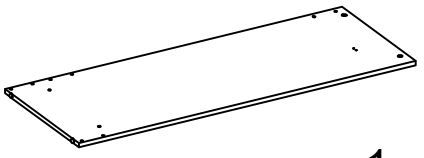
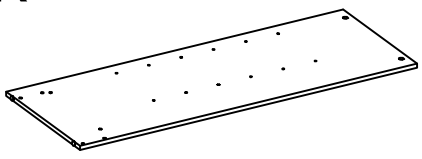
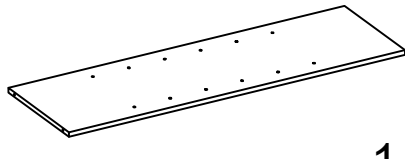
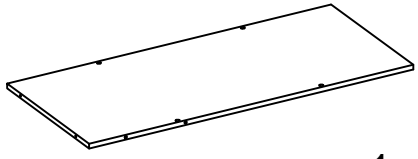
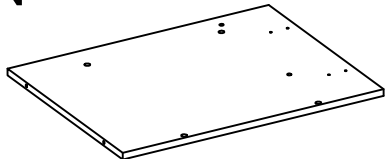
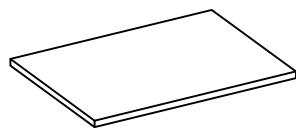
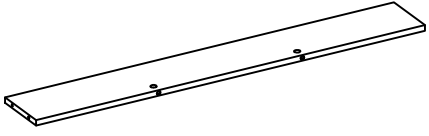
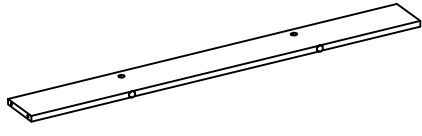
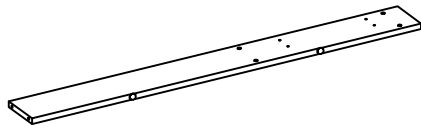
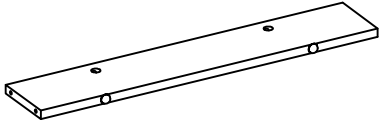
The joint is now secure.

4

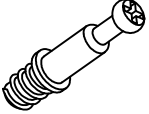

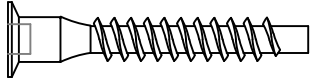
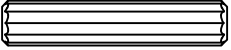
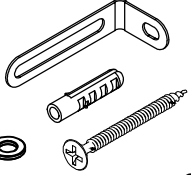

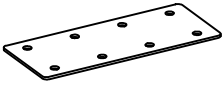
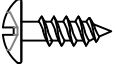

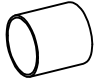
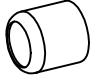

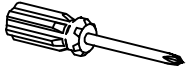

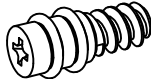




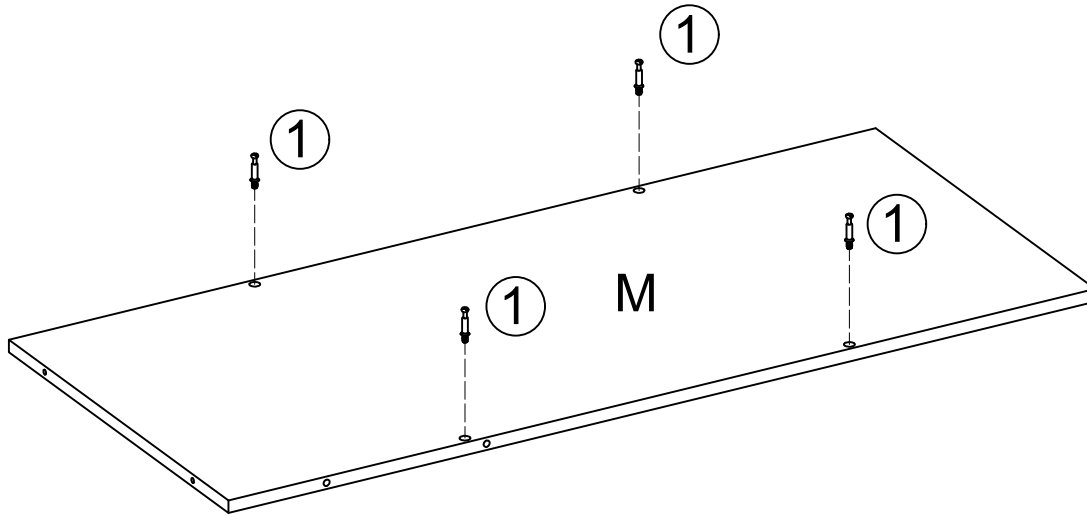
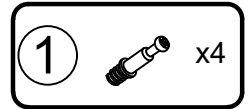
PART LIST

<p>A</p>  <p>1 pc</p>	<p>B</p>  <p>1 pc</p>	<p>C</p>  <p>1 pc</p>
<p>D</p>  <p>1 pc</p>	<p>E</p>  <p>1 pc</p>	<p>F</p>  <p>2 pcs</p>
<p>G</p>  <p>1 pc</p>	<p>H</p>  <p>1 pc</p>	<p>I</p>  <p>1 pc</p>
<p>J</p>  <p>1 pc</p>	<p>K</p>  <p>1 pc</p>	<p>L</p>  <p>1 pc</p>
<p>M</p>  <p>1 pc</p>	<p>N</p>  <p>1 pc</p>	<p>O</p>  <p>2 pcs</p>
<p>P</p>  <p>2 pcs</p>	<p>Q</p>  <p>1 pc</p>	<p>R</p>  <p>1 pc</p>
<p>S</p>  <p>2 pcs</p>		

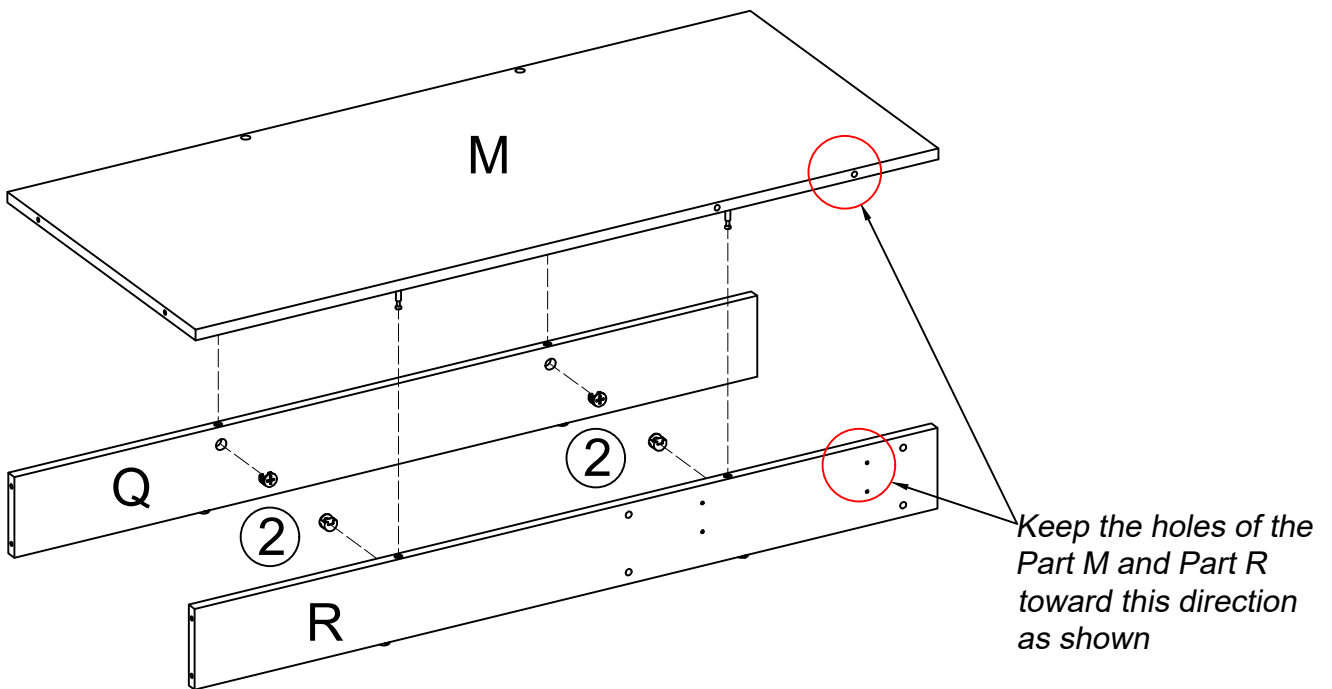
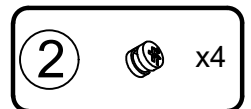
HARDWARE LIST

<p>①</p>  <p>M6x28 26 pcs</p>	<p>②</p>  <p>Ø12 26 pcs</p>	<p>③</p>  <p>M6x40 50 pcs</p>	<p>④</p>  <p>M6x30 12 pcs</p>
<p>⑤</p>  <p>M4x40 3 pcs</p>	<p>⑥</p>  <p>2 pcs</p>	<p>⑦</p>  <p>4 pcs</p>	<p>⑧</p>  <p>M3.5x12 40 pcs</p>
<p>⑨</p>  <p>56-100cm 2 pcs</p>	<p>⑩</p>  <p>2 pcs</p>	<p>⑪</p>  <p>2 pcs</p>	<p>⑫</p>  <p>M4x12 8 pcs</p>
<p>⑬</p>  <p>1 pc</p>	<p>⑭</p>  <p>M4 1 pc</p>	<p>⑮</p>  <p>M6x19 8 pcs</p>	

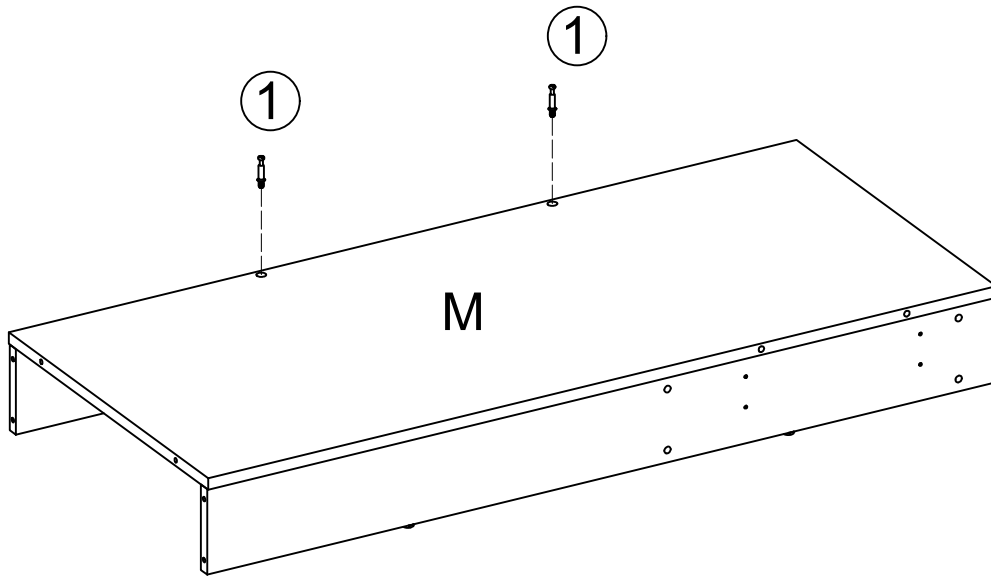
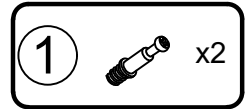
STEP 1



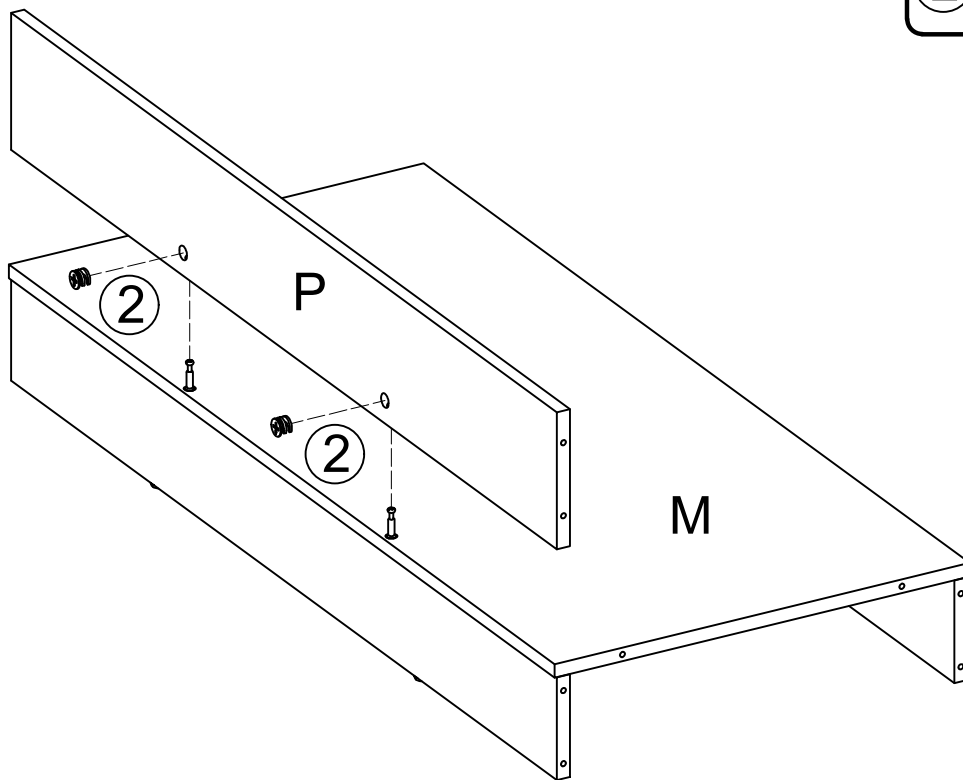
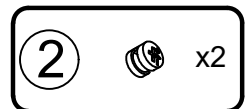
STEP 2



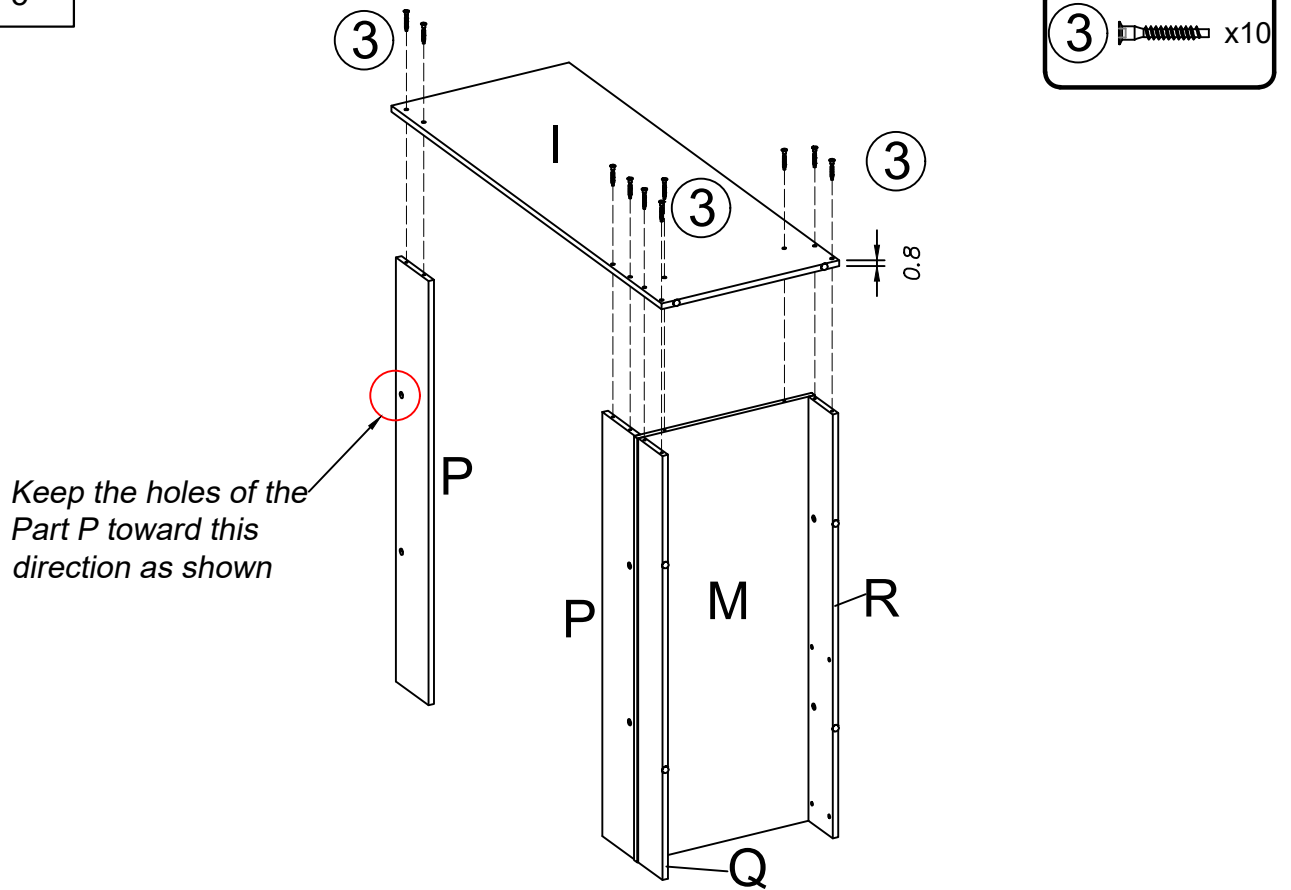
STEP 3



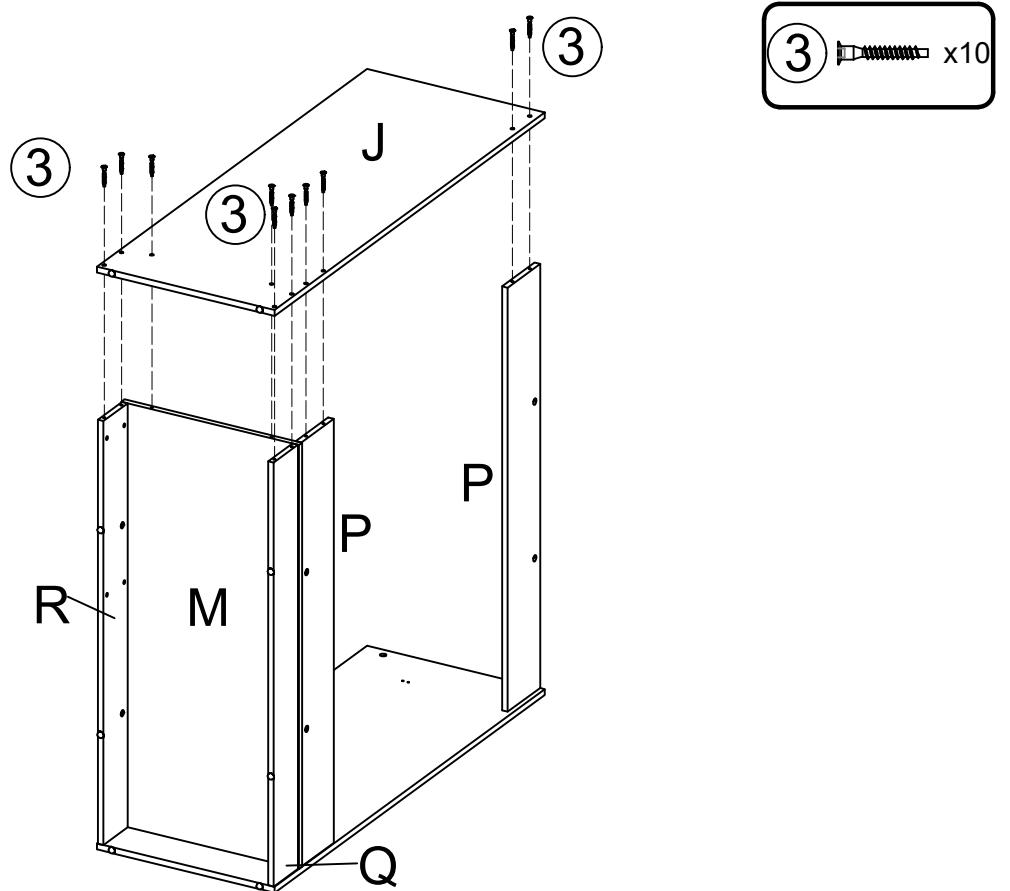
STEP 4



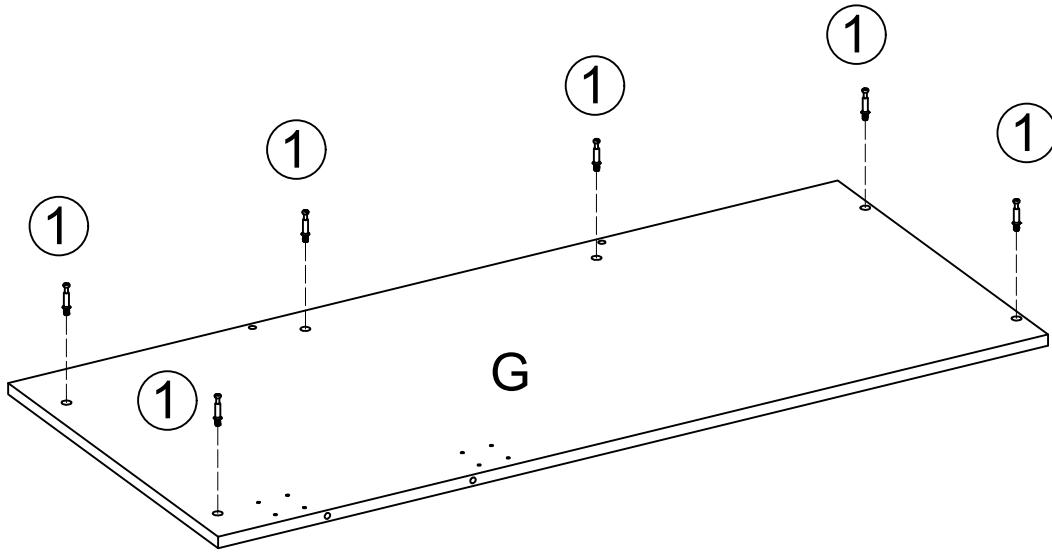
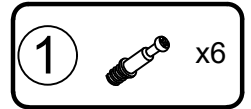
STEP 5



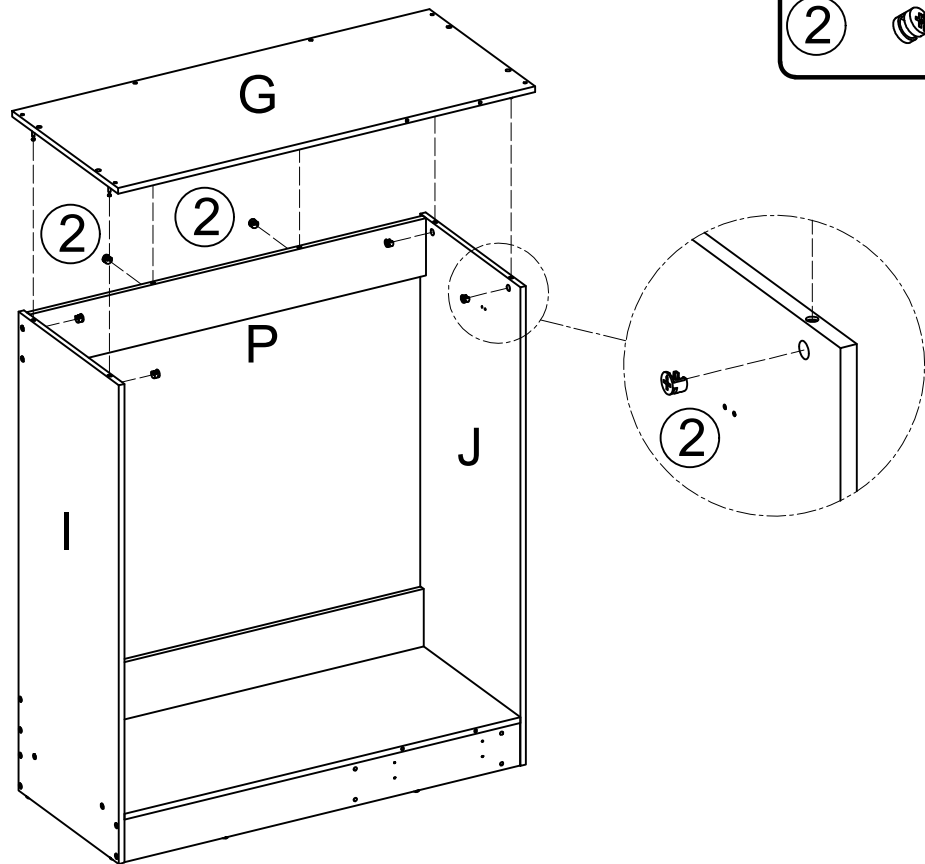
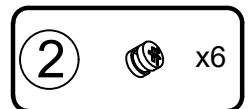
STEP 6



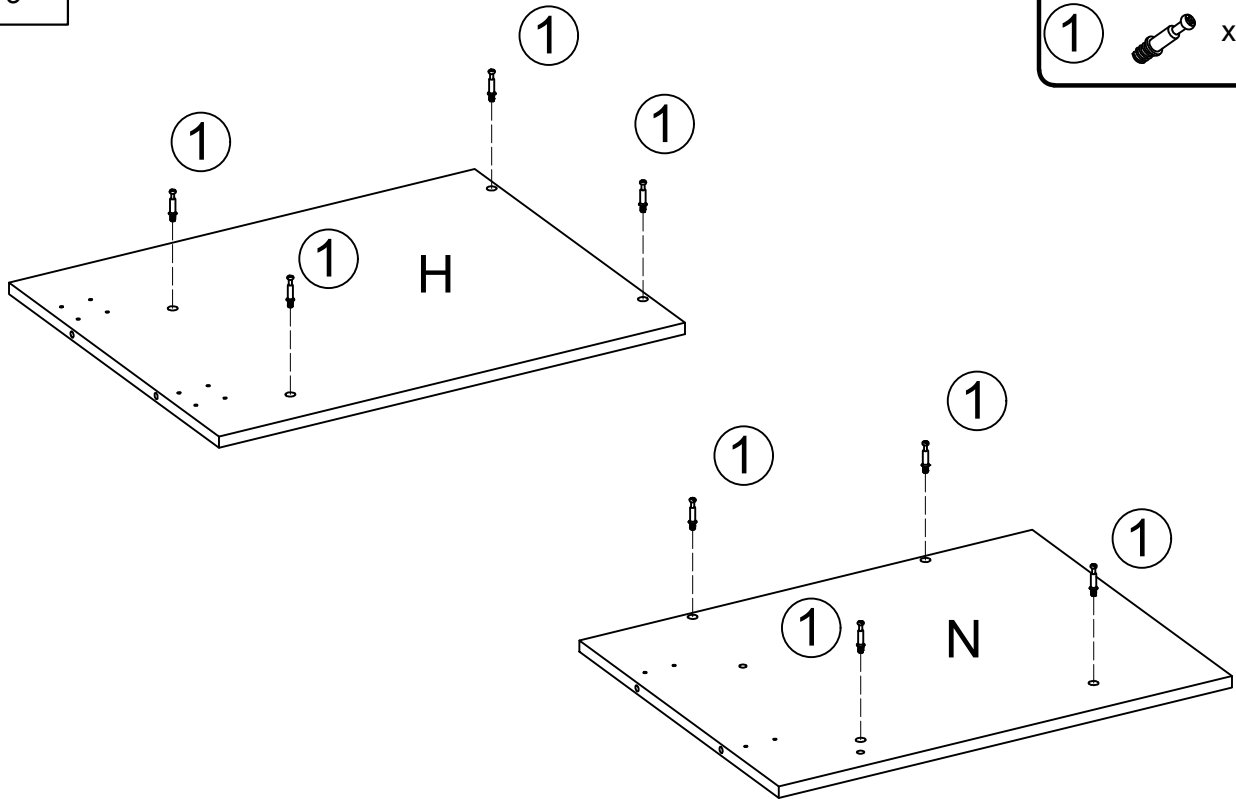
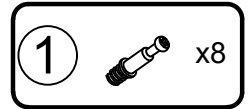
STEP 7



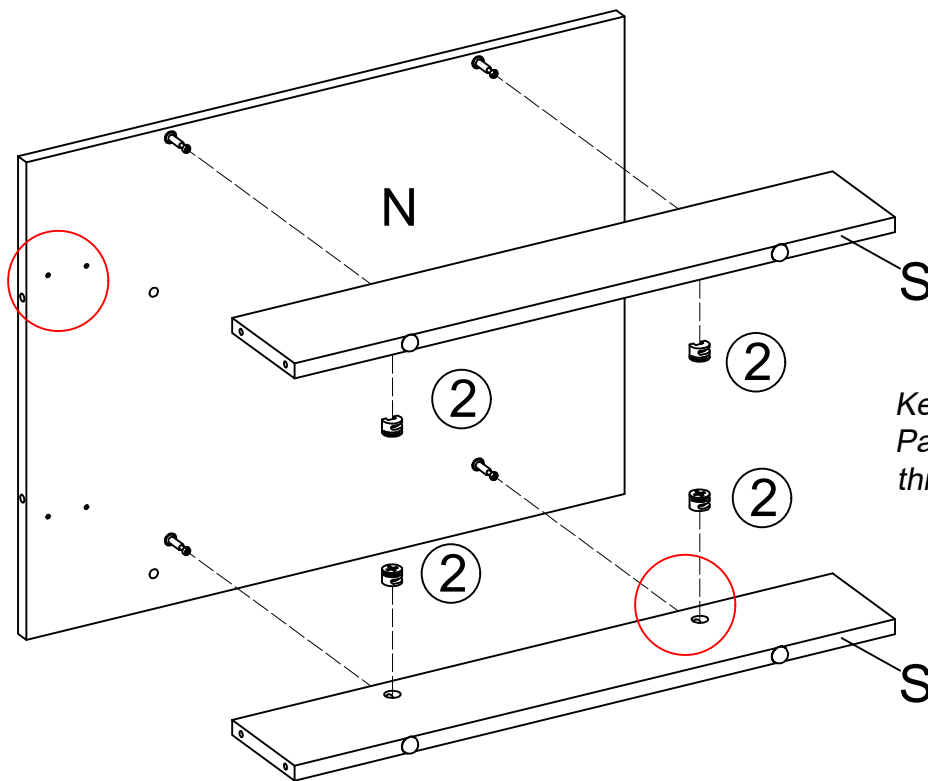
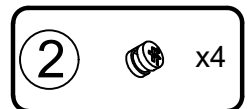
STEP 8



STEP 9

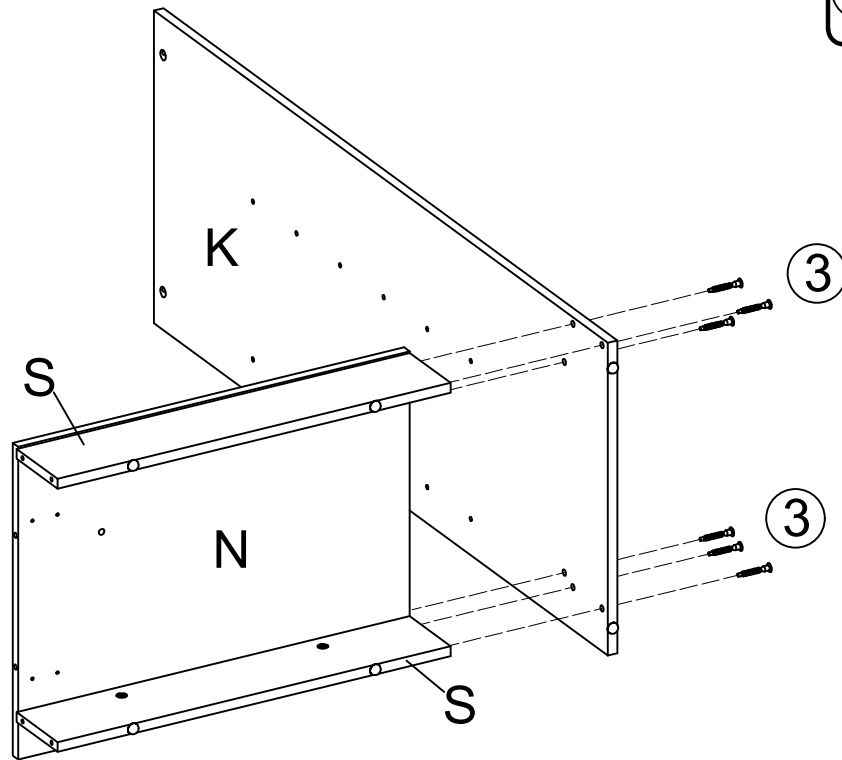
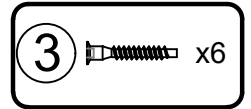


STEP 10

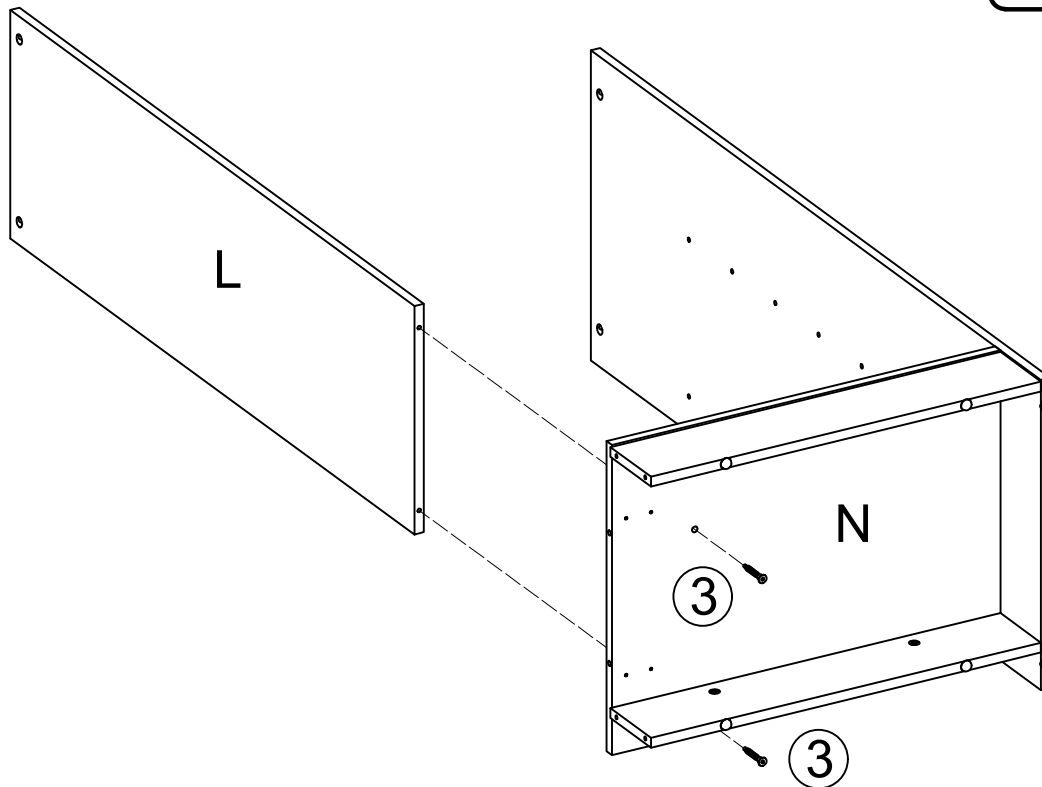
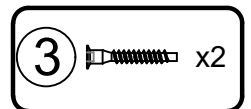


Keep the holes of the Part N and Part S toward this direction as shown

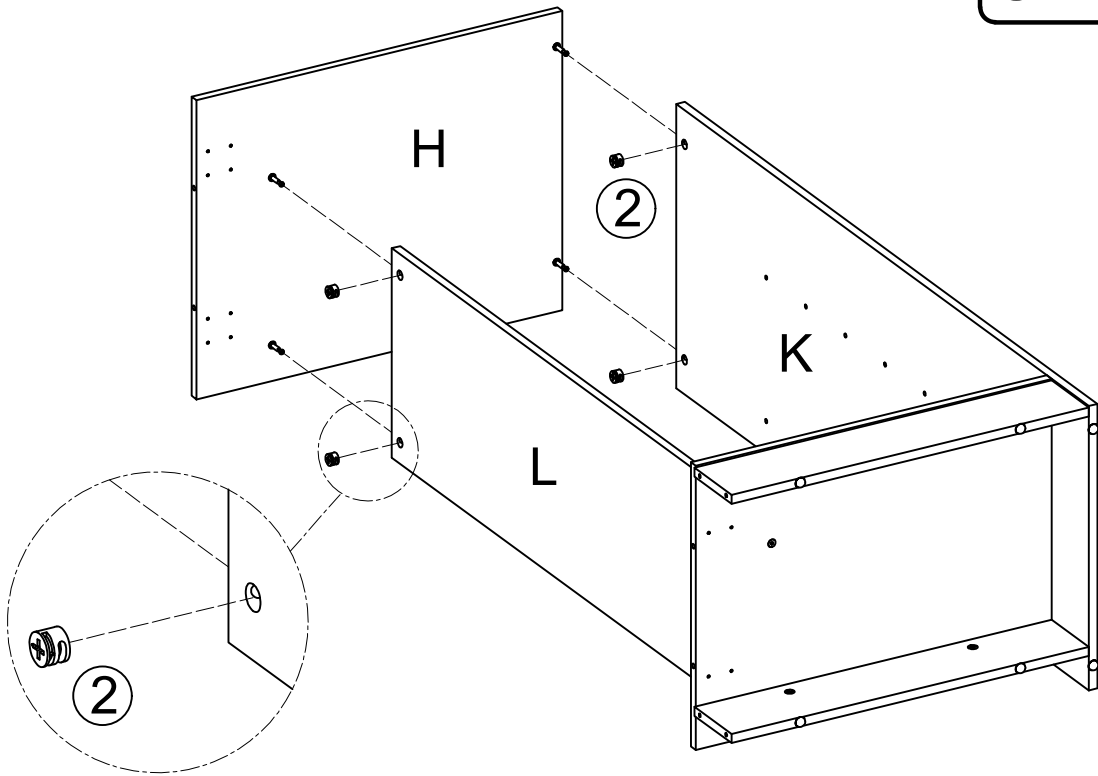
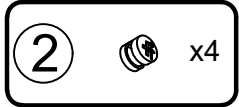
STEP 11



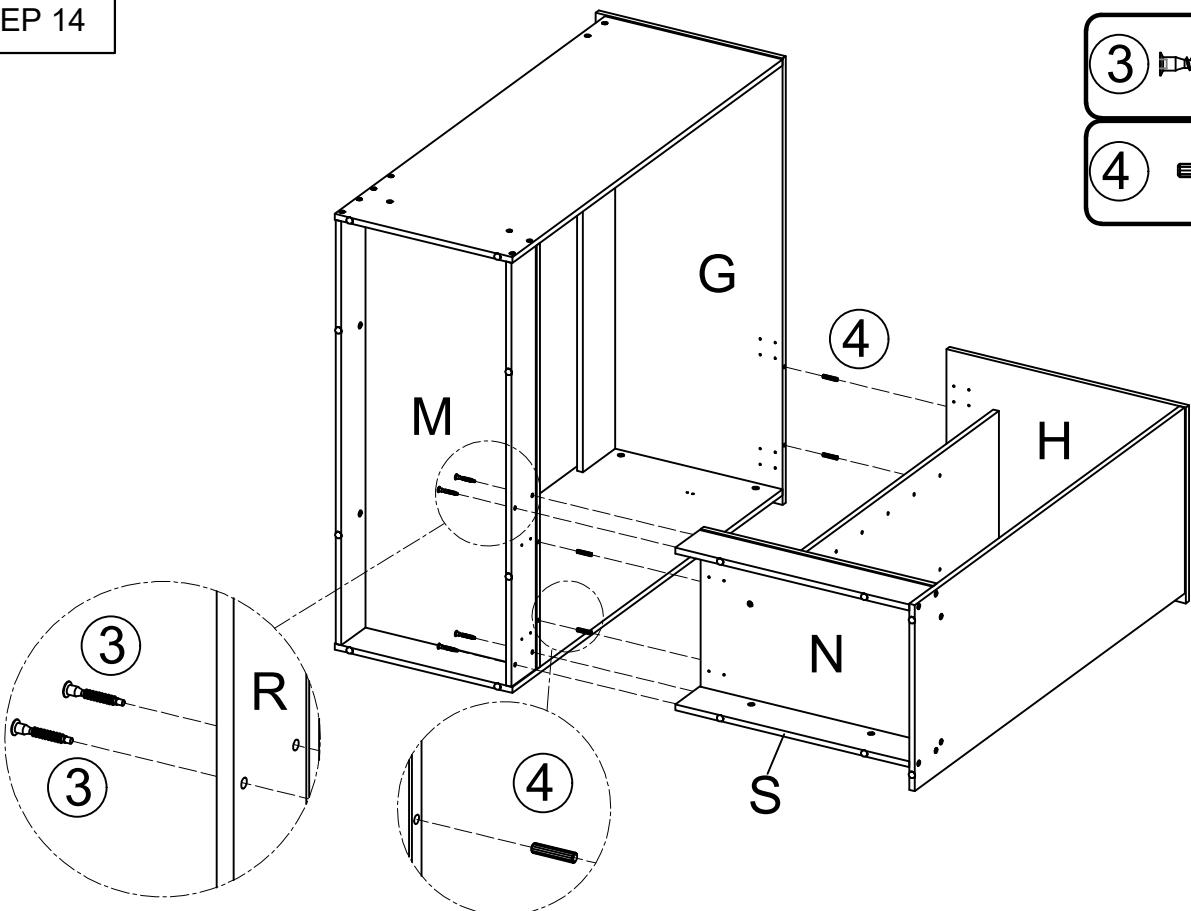
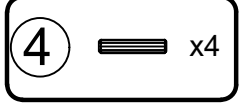
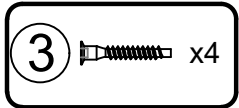
STEP 12



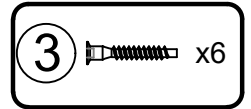
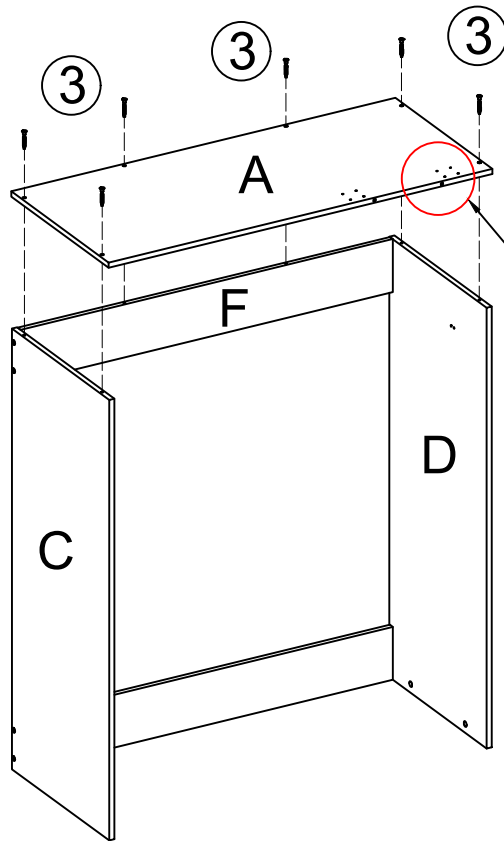
STEP 13



STEP 14

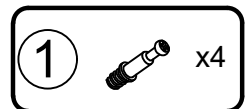
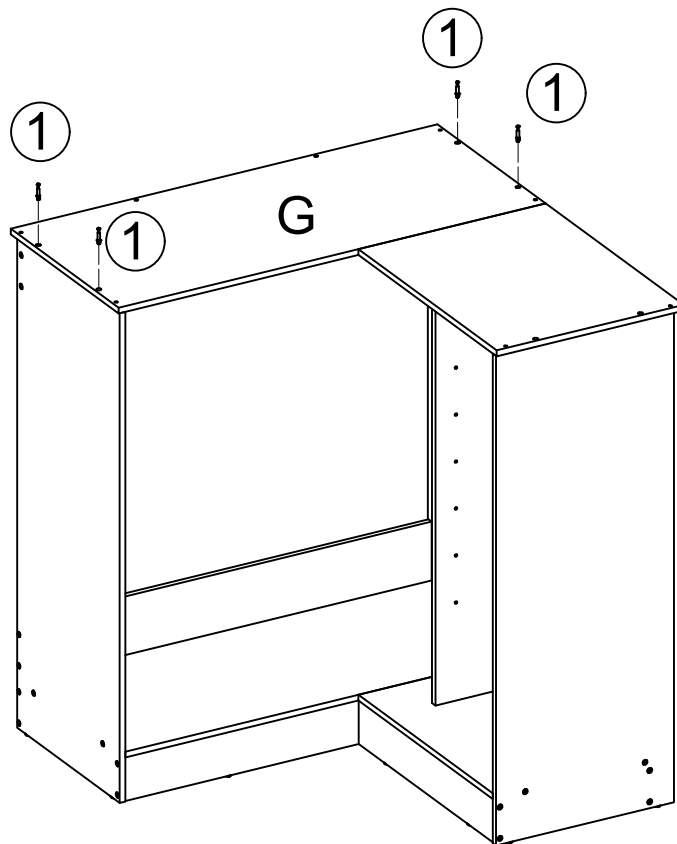


STEP 17

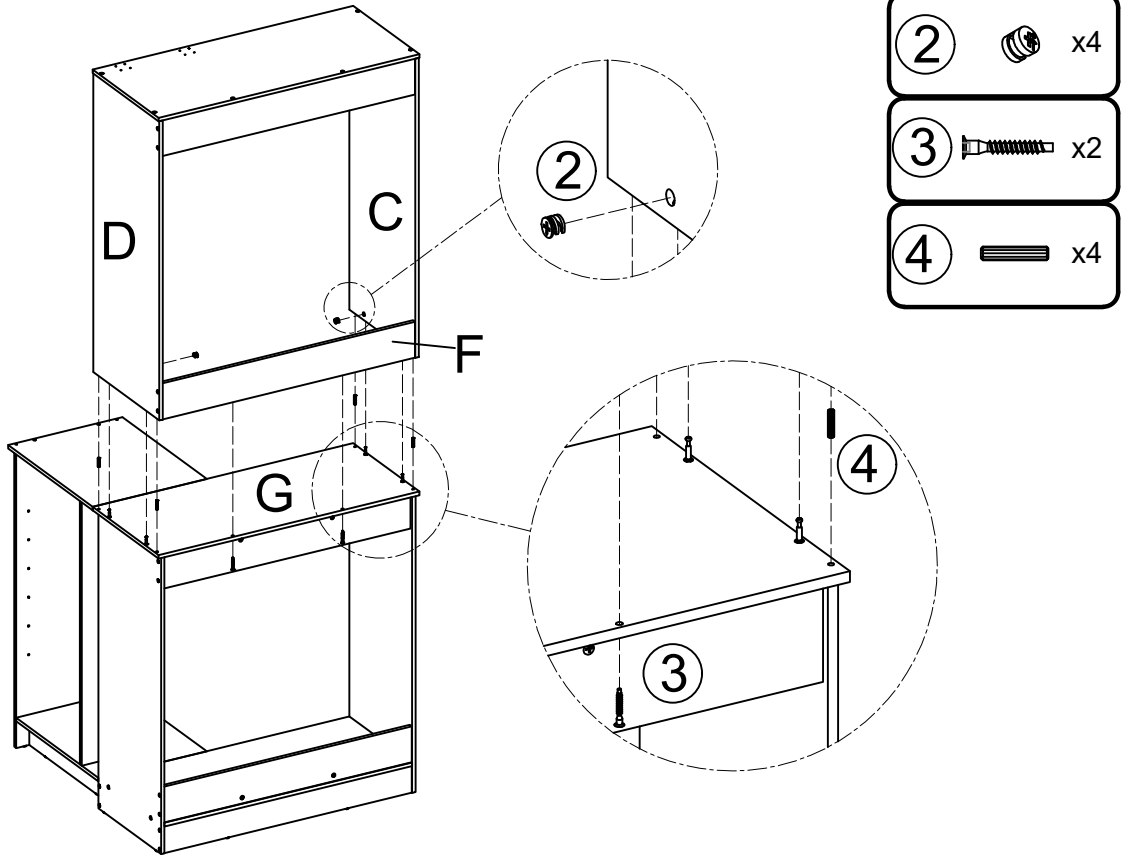


Keep the holes of the Part A toward this direction as shown

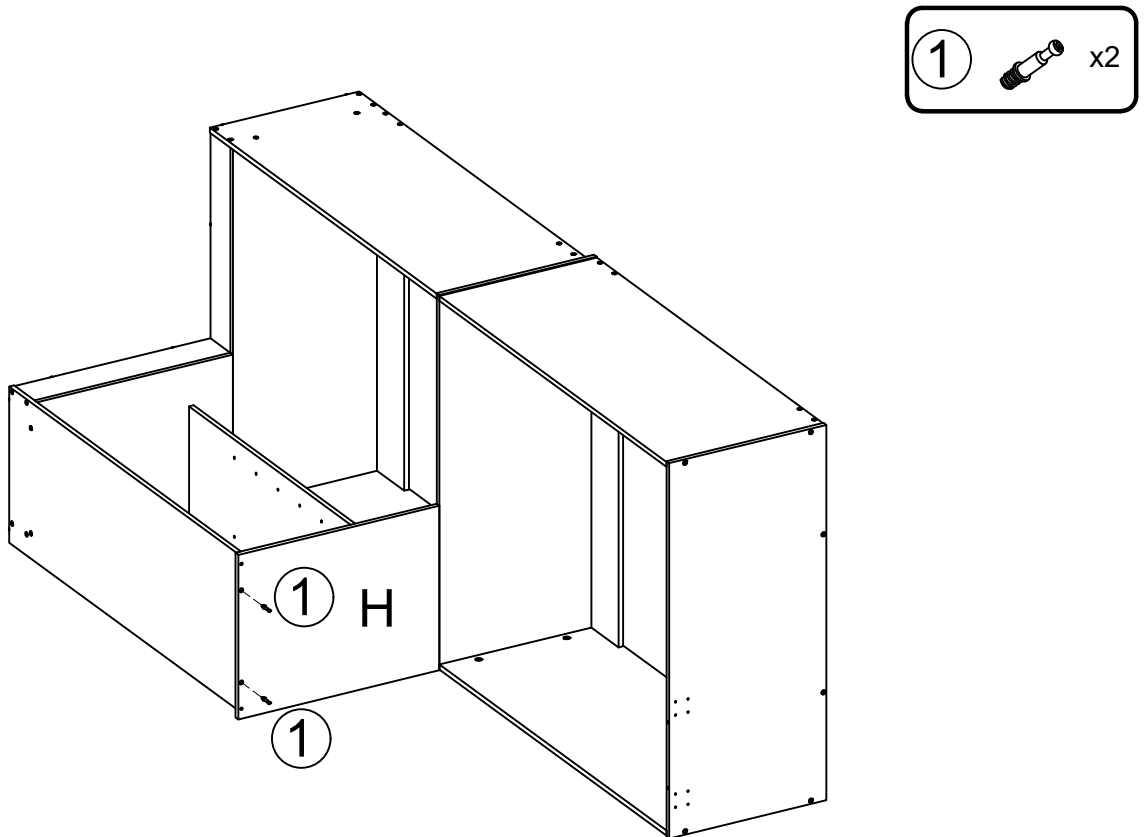
STEP 18



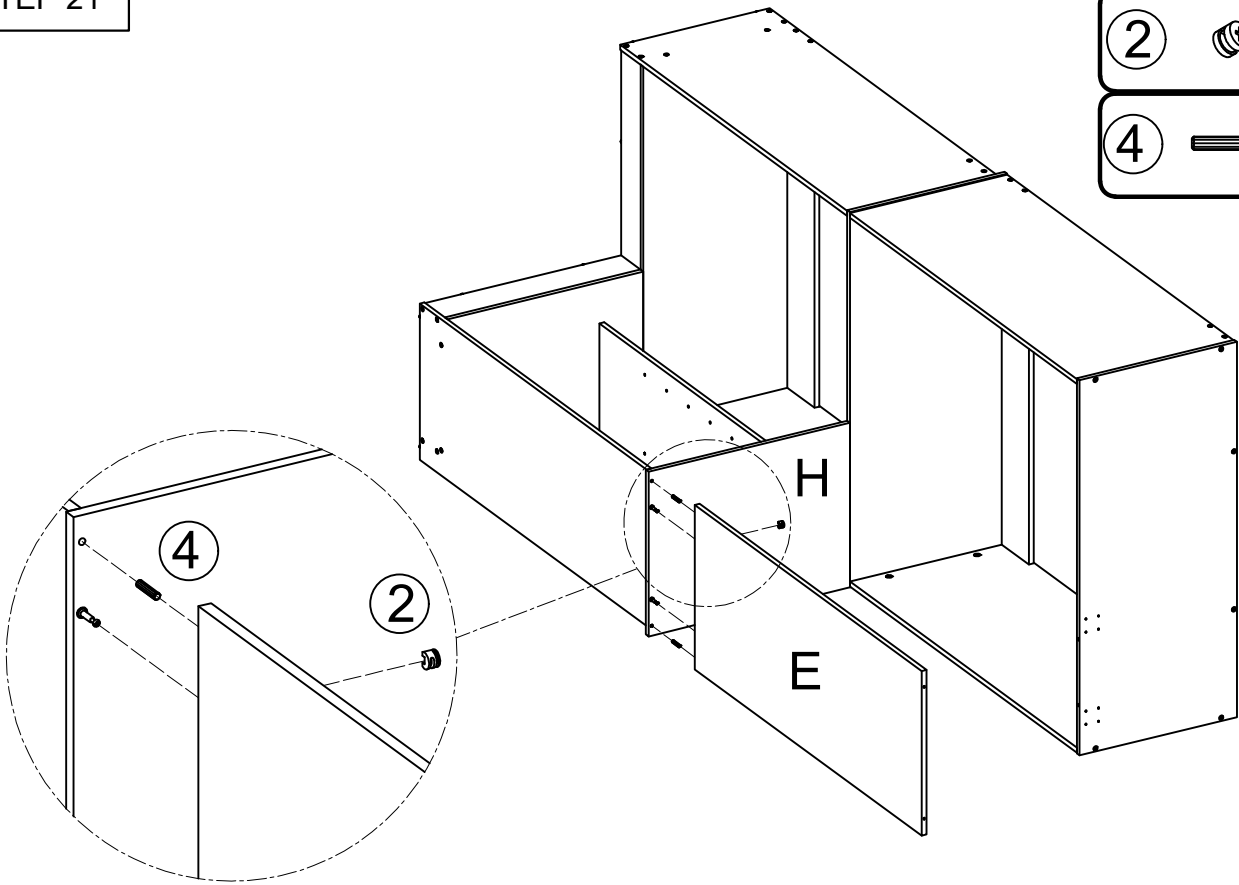
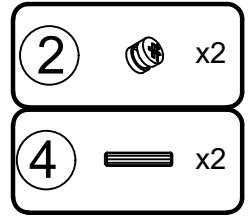
STEP 19



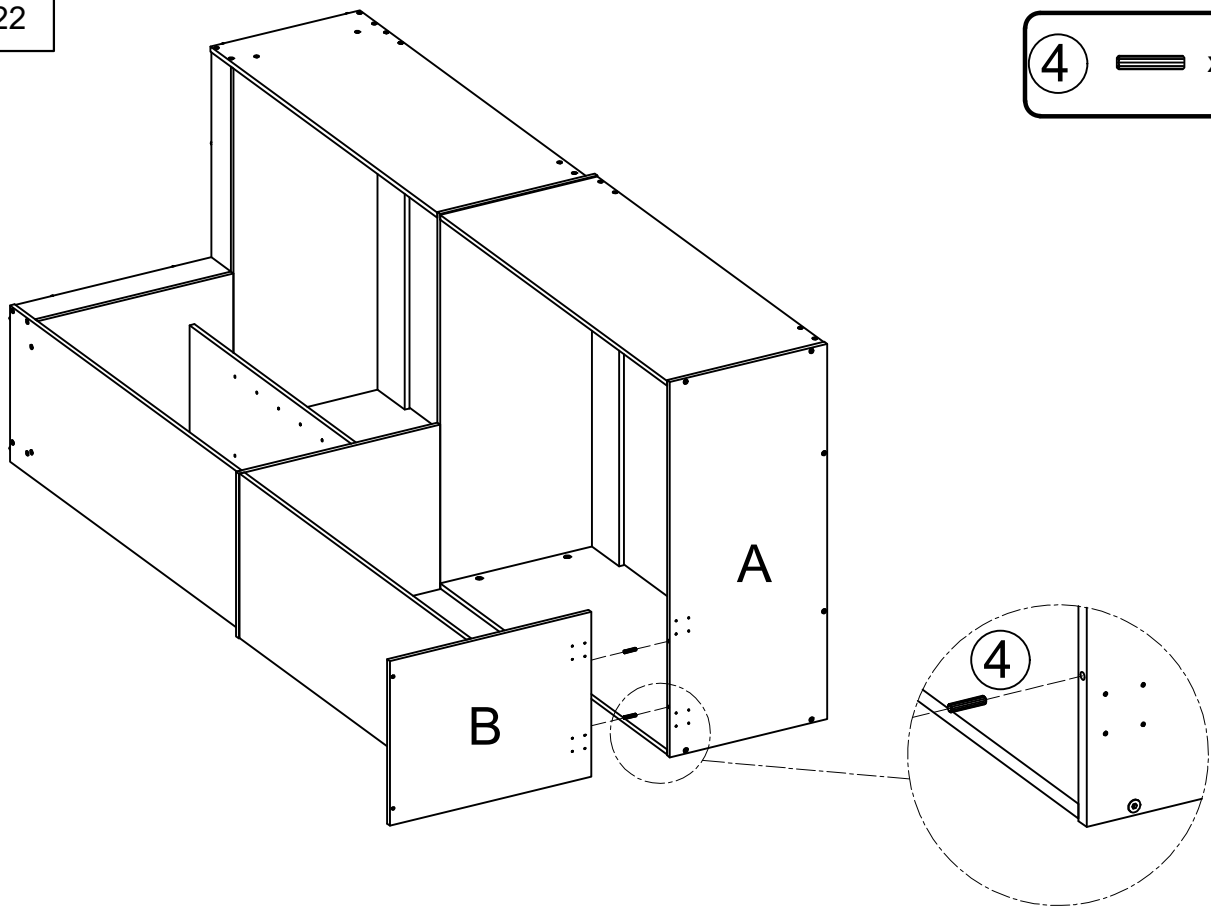
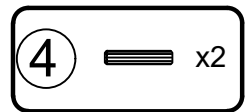
STEP 20



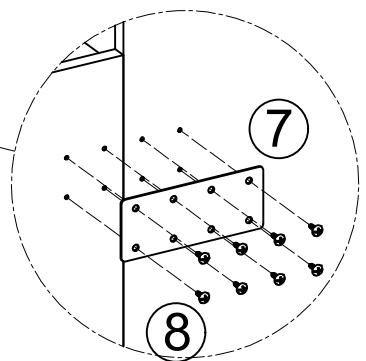
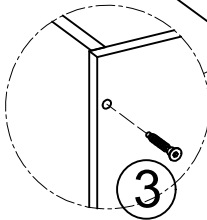
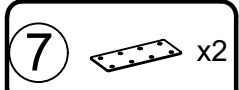
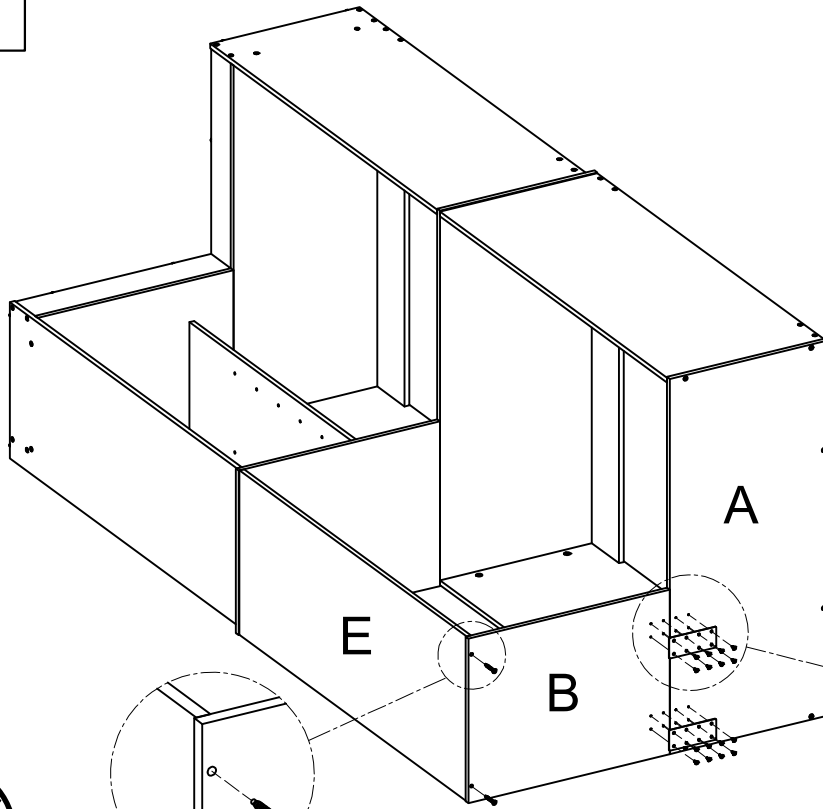
STEP 21



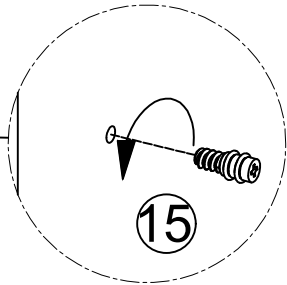
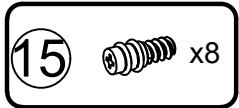
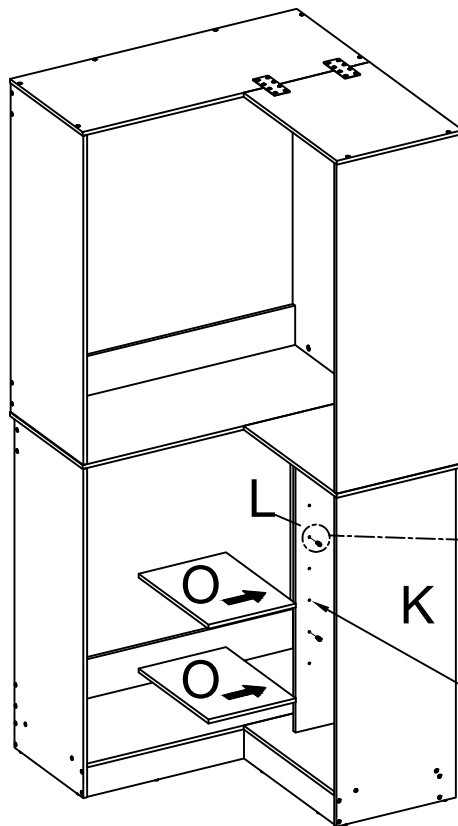
STEP 22



STEP 23







STEP 24

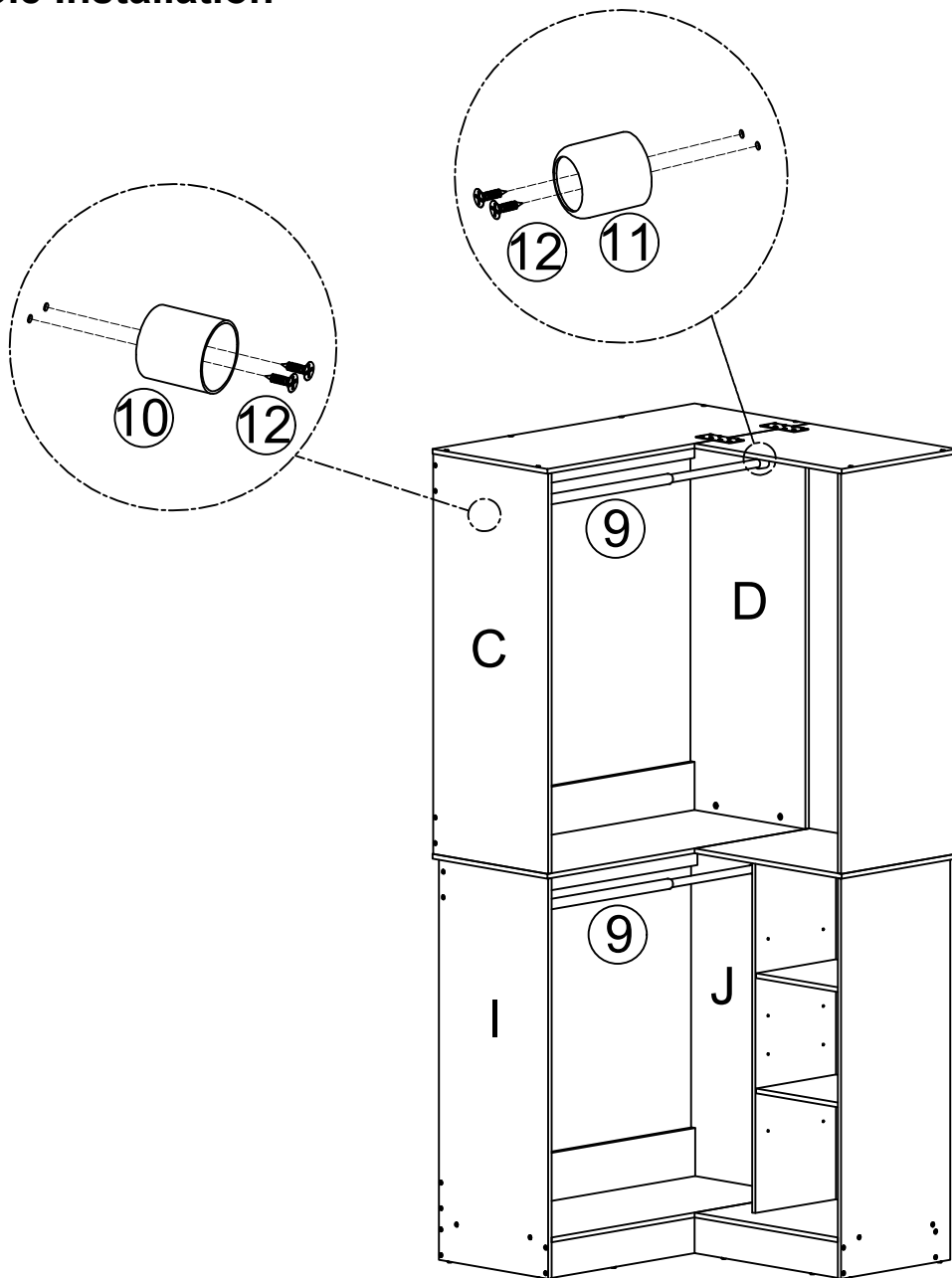


There are 6 heights for the shelf to be adjusted as you need.

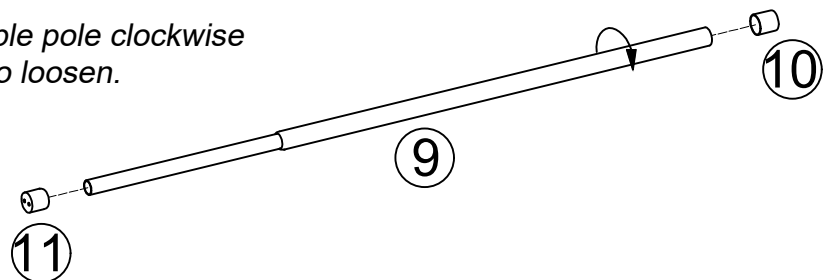
STEP 25

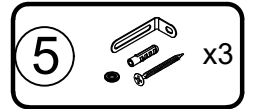
Pole Installation

- 9  x2
- 10  x2
- 11  x2
- 12  x8



Note: Twist the expandable pole clockwise to tighten. anticlockwise to loosen.





TIPPING RESTRAINT HARDWARE

Note: We have included three Tipping Restraint Hardware set for this Unit. When properly installed, this restraint can provide protection against the unexpected tipping of the Unit due to small tremors, bumps or climbing. We strongly recommend mounting this hardware to a wall stud and your Unit.

Note: You must install the Tipping Restraint Hardware with the unit in use to prevent any accidents or damage to the unit.

